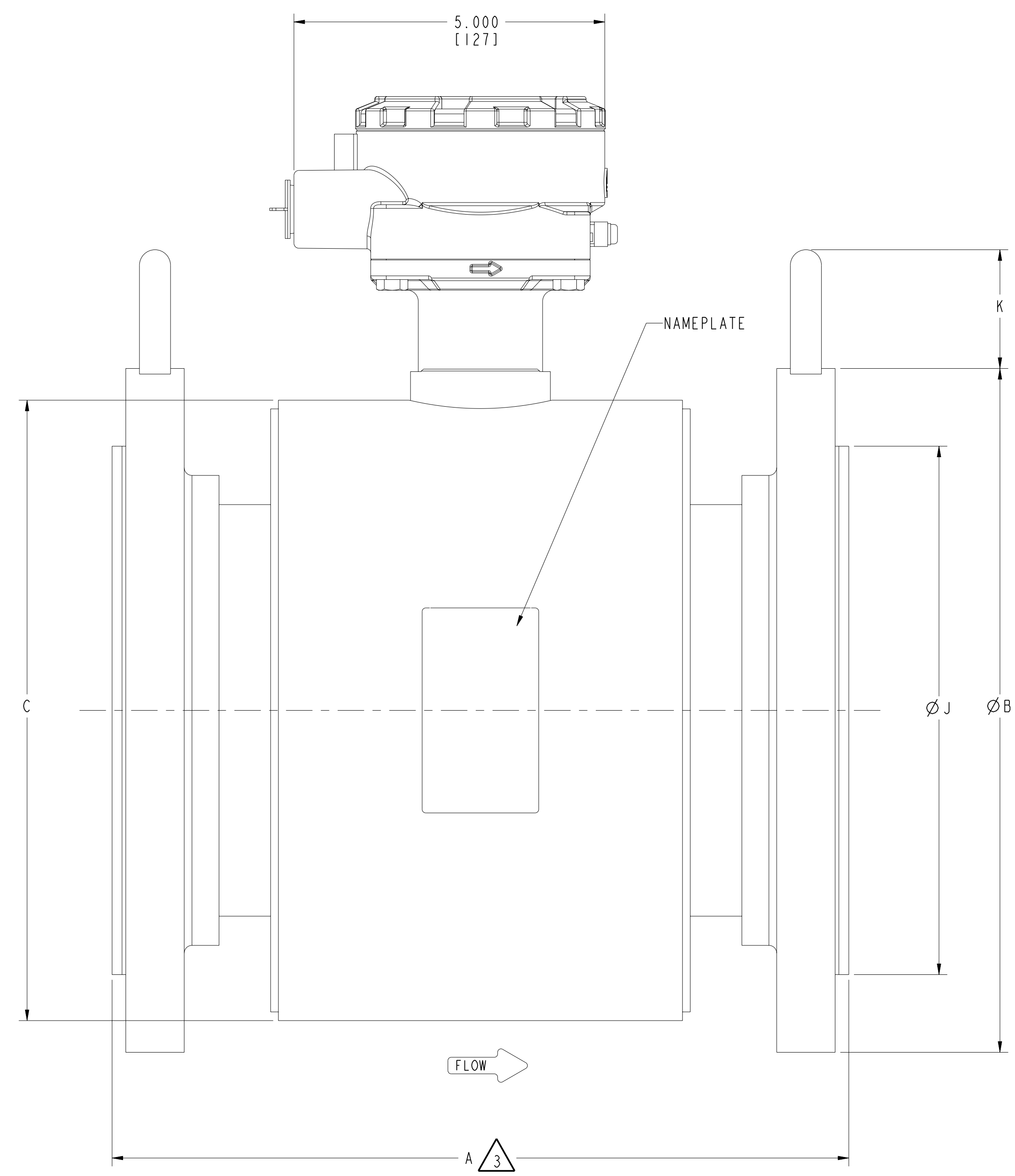
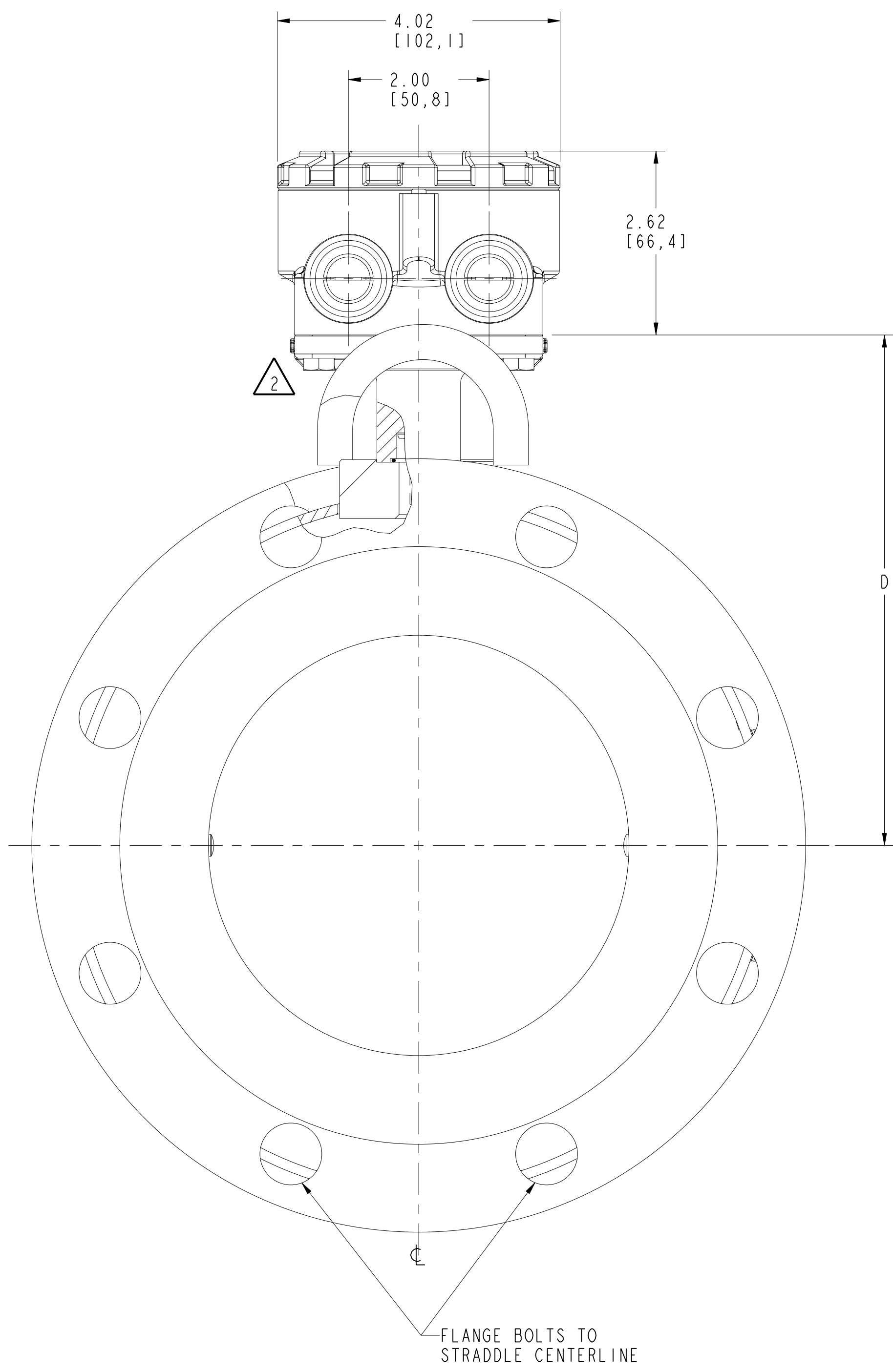


TABULATION  
DASH NO.

REVISIONS				
REV	DESCRIPTION	ECO NO.	APP'D	DATE
AC	ADJUST DIM D FOR COMMON UMB HEIGHT	RTC1030511	M.J.M.	4/22/10

### 3" THRU 36" SLIP-ON FLANGES



- 3 IF USING LINING PROTECTORS, SEE "LINING PROTECTOR" SHEET.  
IF USING GROUND RINGS, SEE "GROUND RING" SHEET.
- 2 PRESSURE RELIEF VALVE AVAILABLE WITH SEALED WELDED HOUSING (WI OPTION) ONLY.

1. ROSEMOUNT CERTIFIES THAT THIS DRAWING IS IN ACCORDANCE WITH ROSEMOUNT ENGINEERING SPECIFICATIONS AND ACCURATELY REPRESENTS THE EQUIPMENT FURNISHED.

CONFIDENTIAL AND PROPRIETARY INFORMATION IS CONTAINED HEREIN AND IS NOT TO BE RELEASED ACCORDING TO:	UNLESS OTHERWISE SPECIFIED DIMENSIONS IN INCHES (mm). REMOVE ALL BURRS AND SHARP EDGES. MACHINE SURFACE FINISH: 125			
	TOLERANCES: .X ± .1 [2.53] .XX ± .02 [0.51] .XXX ± .010 [0.253]		TITLE <b>DIMENSIONAL DRAWING</b> <b>MODEL 8707 HIGH SIGNAL MAGNETIC FLOWTUBE</b>	
	FRACTIONS ± 1/32 ANGLES ± 2° DO NOT SCALE PRINT		DR. <b>D. BROKKE</b> 11/3/08 SIZE <b>D</b> DRAWING NO. <b>08707-0022</b> REV <b>AC</b> APP'D <b>S. ROGERS</b> 12/18/08	
	CAD MAINTAINED: (PRO/E)		SHEET 1 OF 3	



**TABLE 1 -- inch**

Size, Description	Model Number	OVERALL LENGTH						Body Ø DIM "C"	CL to UMB DIM "D"	Liner Ø on Face DIM "J"	Lift Ring Height DIM "K"	Flow Tube Weight (lbs.)
		DIM "A" PTFE	DIM "A" ETFE	DIM "A" Neoprene	DIM "A" Linatex	DIM "A" Poly	DIM "A" PFA					
3 (80) ANSI - 150#, SO / RF	8707 ___ 030C1	7.87	7.87	7.86	7.87	7.87	7.21	5.82	5.00	1.70	42	
3 (80) ANSI - 300#, SO / RF	8707 ___ 030C3	8.63	8.63	8.61	8.62	8.63	7.21	5.82	5.00	1.70	47	
4 (100) ANSI - 150#, SO / RF	8707 ___ 040C1	9.84	9.84	9.83	9.84	9.84	7.91	6.35	6.19	1.70	57	
4 (100) ANSI - 300#, SO / RF	8707 ___ 040C3	10.88	10.88	10.86	10.87	10.88	7.91	6.35	6.19	1.70	65	
6 (150) ANSI - 150#, SO / RF	8707 ___ 060C1	11.81	11.81	11.78	11.79	11.83	9.98	7.39	8.50	1.70	71	
6 (150) ANSI - 300#, SO / RF	8707 ___ 060C3	13.06	13.06	13.03	13.04	13.08	9.98	7.39	8.50	1.70	93	
8 (200) ANSI - 150#, SO / RF	8707 ___ 080C1	13.78	13.78	13.72	13.81	13.77	11.92	8.36	10.62	1.70	145	
8 (200) ANSI - 300#, SO / RF	8707 ___ 080C3	15.60	15.60	15.53	15.54	15.58	11.92	8.36	10.62	1.70	162	
10 (250) ANSI - 150#, SO / RF	8707 ___ 100C1	15.00	14.90	14.75	14.76	14.80	14.64	9.72	12.75	2.00	195	
10 (250) ANSI - 300#, SO / RF	8707 ___ 100C3	17.13	17.03	16.88	16.89	16.93	14.64	9.72	12.75	2.00	300	
12 (300) ANSI - 150#, SO / RF	8707 ___ 120C1	18.00	17.90	17.87	17.76	17.80	18.00	16.80	10.80	15.00	2.00	330
12 (300) ANSI - 300#, SO / RF	8707 ___ 120C3	20.14	20.03	20.00	19.89	19.93	20.14	16.80	10.80	15.00	2.00	435
14 (350) ANSI - 150#, SO / RF	8707 ___ 140C1	20.91	20.93	20.90	20.79	20.83	21.00	18.92	11.85	16.25	2.00	380
14 (350) ANSI - 300#, SO / RF	8707 ___ 140C3	23.16	23.18	23.15	23.04	23.08	23.25	18.92	11.85	16.25	2.00	573
16 (400) ANSI - 150#, SO / RF	8707 ___ 160C1	23.88	23.90	23.87	23.76	23.80		20.94	12.87	18.50	3.13	470
16 (400) ANSI - 300#, SO / RF	8707 ___ 160C3	26.13	26.15	26.12	26.01	26.05		20.94	12.87	18.50	3.13	755
18 (450) ANSI - 150#, SO / RF	8707 ___ 180C1	26.85	26.87	26.84	26.73	26.77		23.46	14.13	21.00	3.13	592
18 (450) ANSI - 300#, SO / RF	8707 ___ 180C3	29.97	30.00	29.96	29.85	29.89		23.46	14.13	21.00	3.13	1010
20 (500) ANSI - 150#, SO / RF	8707 ___ 200C1	29.78	29.80	29.77	29.66	29.70		25.48	15.13	23.00	3.13	680
20 (500) ANSI - 300#, SO / RF	8707 ___ 200C3	33.04	33.08	33.03	32.92	32.96		25.48	15.13	23.00	3.13	1180
24 (600) ANSI - 150#, SO / RF	8707 ___ 240C1	35.75	35.77	35.87	35.63	35.67		30.03	17.41	27.25	3.13	1020
24 (600) ANSI - 300#, SO / RF	8707 ___ 240C3	39.38	39.40	39.50	39.26	39.30		30.03	17.41	27.25	3.13	1865
30 (750) AWWA CLASS D, SO / FF	8707 ___ 300C1	37.00	37.03	37.13	36.89	36.93		35.50	20.16	33.75	3.13	1400
30 (750) MSS SP44 - 150#, SO / RF	8707 ___ 300C2	41.56	41.58		41.44	41.48		35.50	20.16	33.75	3.13	1782
30 (750) MSS SP44 - 300#, SO / RF	8707 ___ 300C3	47.25	47.27		47.13	47.17		35.50	20.16	33.75	3.13	2610
36 (900) AWWA CLASS D, SO / FF	8707 ___ 360C1	40.63	40.65	40.75	40.51	40.55		43.37	24.04	40.25	3.13	1975
36 (900) MSS SP44 - 150#, SO / RF	8707 ___ 360C2	47.25	47.27		47.13	47.17		43.37	24.04	40.25	3.13	2777
36 (900) MSS SP44 - 300#, SO / RF	8707 ___ 360C3	53.17	53.19		53.05	53.09		43.37	24.04	40.25	3.38	4204

**TABLE 1 -- millimeter**

Size, Description	Model Number	OVERALL LENGTH						Body Ø DIM "C"	CL to UMB DIM "D"	Liner Ø on Face DIM "J"	Lift Ring Height DIM "K"	Flow Tube Weight (kg)
		DIM "A" PTFE	DIM "A" ETFE	DIM "A" Neoprene	DIM "A" Linatex	DIM "A" Poly	DIM "A" PFA					
3 (80) ANSI - 150#, SO / RF	8707 ___ 030C1	200	200	200	200	200		183	148	127	43	19.1
3 (80) ANSI - 300#, SO / RF	8707 ___ 030C3	219	219	219	219	219	219	183	148	127	43	21.3
4 (100) ANSI - 150#, SO / RF	8707 ___ 040C1	250	250	250	250	250	250	201	161	157	43	25.9
4 (100) ANSI - 300#, SO / RF	8707 ___ 040C3	276	276	276	276	276	276	201	161	157	43	29.5
6 (150) ANSI - 150#, SO / RF	8707 ___ 060C1	300	300	299	299	300	300	253	188	216	43	32.2
6 (150) ANSI - 300#, SO / RF	8707 ___ 060C3	332	332	331	331	332	332	253	188	216	43	42.2
8 (200) ANSI - 150#, SO / RF	8707 ___ 080C1	350	350	348	351	350	350	303	212	270	43	65.8
8 (200) ANSI - 300#, SO / RF	8707 ___ 080C3	396	396	394	395	396	396	303	212	270	43	73.5
10 (250) ANSI - 150#, SO / RF	8707 ___ 100C1	381	378	375	375	376	381	372	247	324	51	88.5
10 (250) ANSI - 300#, SO / RF	8707 ___ 100C3	435	433	429	429	430	435	372	247	324	51	136.1
12 (300) ANSI - 150#, SO / RF	8707 ___ 120C1	457	455	454	451	452	457	427	274	381	51	149.7
12 (300) ANSI - 300#, SO / RF	8707 ___ 120C3	512	509	508	505	506	512	427	274	381	51	197.3
14 (350) ANSI - 150#, SO / RF	8707 ___ 140C1	531	532	531	528	529	533	481	301	413	51	172.4
14 (350) ANSI - 300#, SO / RF	8707 ___ 140C3	588	589	588	585	586	591	481	301	413	51	259.9
16 (400) ANSI - 150#, SO / RF	8707 ___ 160C1	607	607	606	604	605		532	327	470	80	213.2
16 (400) ANSI - 300#, SO / RF	8707 ___ 160C3	664	664	663	661	662		532	327	470	80	342.5
18 (450) ANSI - 150#, SO / RF	8707 ___ 180C1	682	682	682	679	680		596	359	533	80	268.5
18 (450) ANSI - 300#, SO / RF	8707 ___ 180C3	761	762	761	758	759		596	359	533	80	458.1
20 (500) ANSI - 150#, SO / RF	8707 ___ 200C1	756	757	756	753	754		647	384	584	80	308.4
20 (500) ANSI - 300#, SO / RF	8707 ___ 200C3	839	840	839	836	837		647	384	584	80	535.2
24 (600) ANSI - 150#, SO / RF	8707 ___ 240C1	908	909	911	905	906		763	442	692	80	462.7
24 (600) ANSI - 300#, SO / RF	8707 ___ 240C3	1000	1001	1003	997	998		763	442	692	80	845.9
30 (750) AWWA CLASS D, SO / FF	8707 ___ 300C1	940	941	943	937	938		902	512	857	80	635.0
30 (750) MSS SP44 - 150#, SO / RF	8707 ___ 300C2	1056	1056		1053	1054		902	512	857	80	808.3
30 (750) MSS SP44 - 300#, SO / RF	8707 ___ 300C3	1200	1201		1197	1198		902	512	857	80	1183.9
36 (900) AWWA CLASS D, SO / FF	8707 ___ 360C1	1032	1033	1035	1029	1030		1102	611	1022	80	895.8
36 (900) MSS SP44 - 150#, SO / RF	8707 ___ 360C2	1200	1201		1197	1198		1102	611	1022	80	1259.6
36 (900) MSS SP44 - 300#, SO / RF	8707 ___ 360C3	1351	1351		1347	1348		1102	611	1022	86	1906.9



### LINING PROTECTORS QUANTITY 2

### GROUND RINGS QUANTITY 2

D

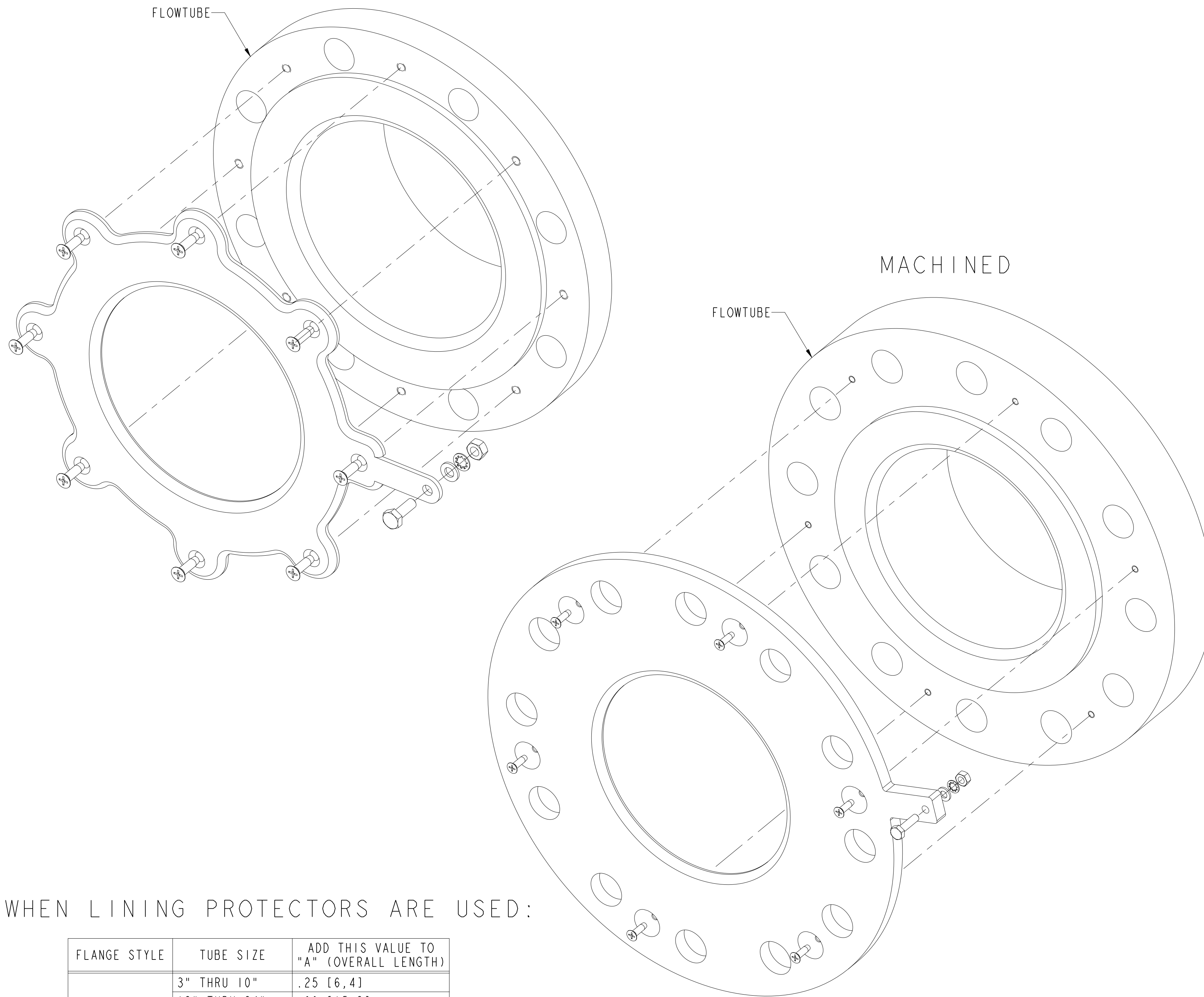
C

B

A

STAMPED

MACHINED



WHEN LINING PROTECTORS ARE USED:

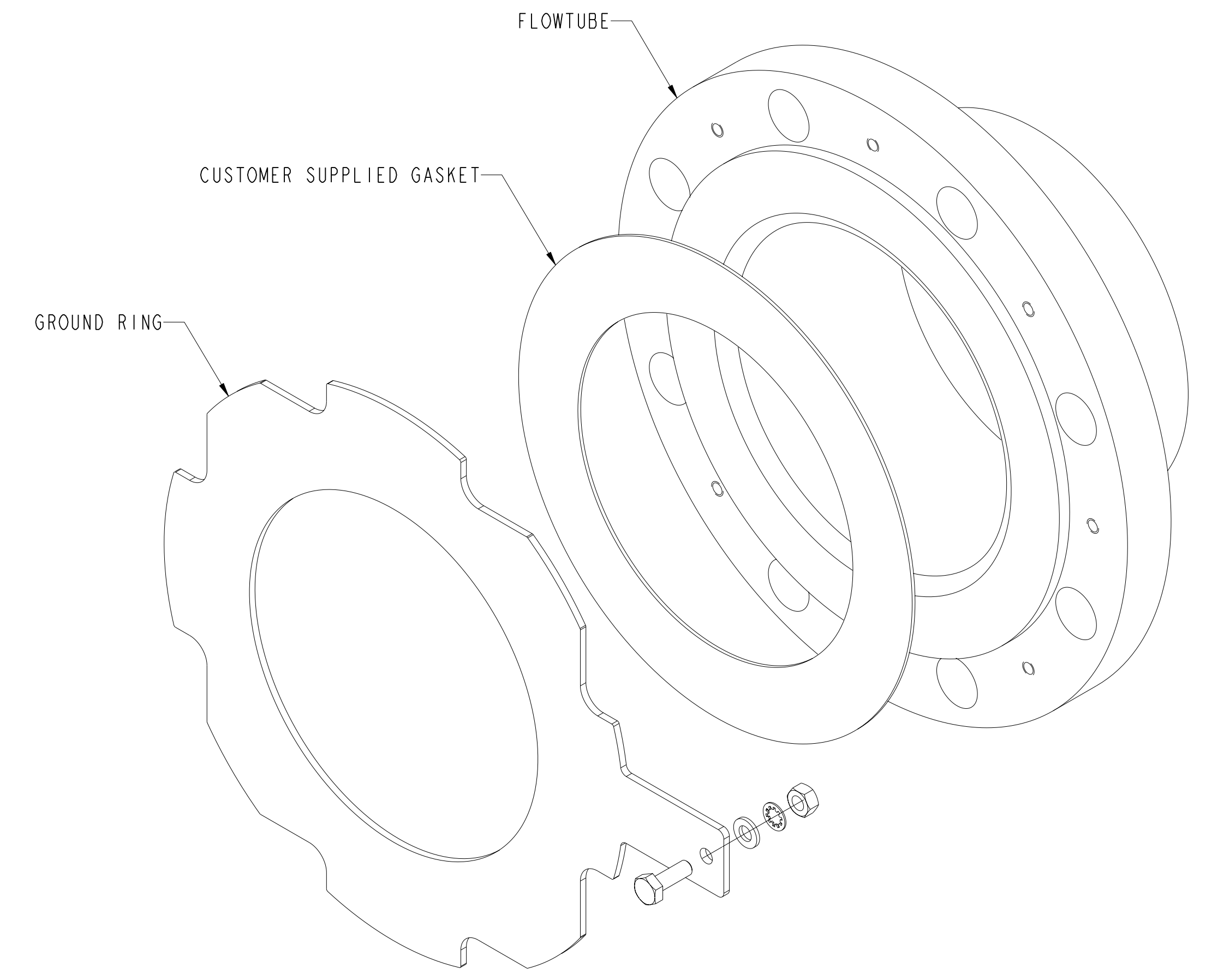
FLANGE STYLE	TUBE SIZE	ADD THIS VALUE TO "A" (OVERALL LENGTH)
ANSI	3" THRU 10"	.25 [6,4]
	12" THRU 24"	.60 [15,2]
	30"	.75 [19]
	36"	1.0 [25,4]
DIN	3" THRU 8"	.25 [6,4]
	10"	.75 [19]
	12"	1.0 [25,4]
	14" THRU 24"	.60 [15,2]
	30"	.75 [19]
	36"	1.0 [25,4]

D

C

B

A



WHEN GROUND RINGS ARE USED:  
ADD .25 [6,4] TO VALUE OF "A" (OVERALL LENGTH)  
FOR ALL SIZES AND FLANGE STYLES

		<b>ROSEMOUNT</b> <small>8300 Market Boulevard Chanhassen, MN 55317 USA</small>
SIZE	D	REV
	08707-0022	AC
<small>CAD Maintained, (Pro/E)   SHEET 3 OF 3</small>		