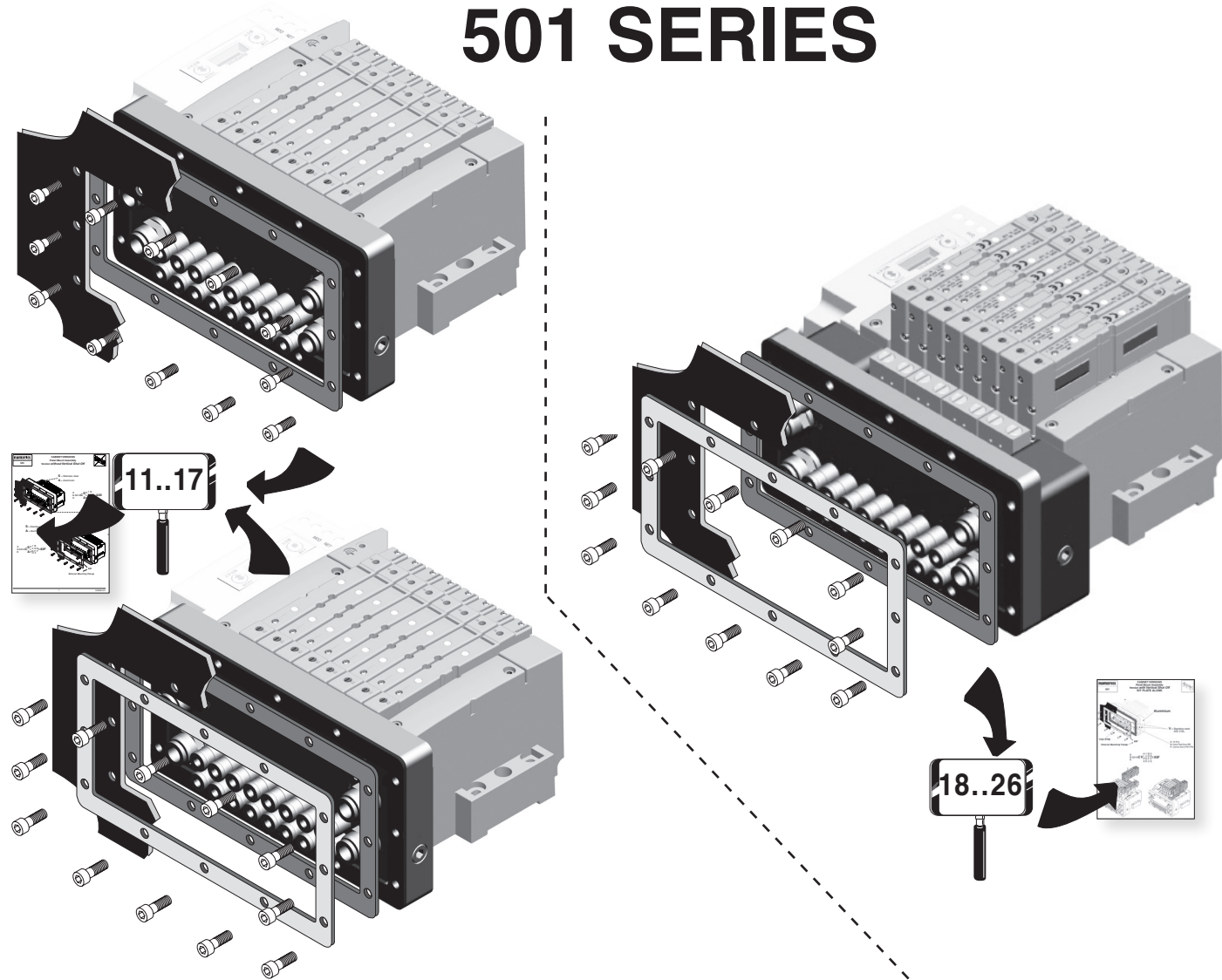


numatics

INSTALLATION AND MAINTENANCE INSTRUCTIONS	EN
INSTRUCTIONS D'INSTALLATION ET DE MAINTENANCE	FR
INBETRIEBNAHME - UND WARTUNGSANLEITUNG	DE
INSTRUCCIONES DE PUESTA EN MARCHA Y MANTENIMIENTO	ES
ISTRUZIONI DI MESSA IN SERVIZIO E MANUTENZIONE	IT
ALGEMENE INSTALLATIE - EN ONDERHOUDSINSTRUCTIES	NL
INSTALLASJONS- OG VEDLIKEHOLDSINSTRUKSER	NO
INSTALLATIONS- OCH UNDERHÅLLSINSTRUKTIONER	SE
ASENNUS - JA HUOLTO-OHJEET	FI
INSTALLATIONS - OG VEDLIGEHOLDSANVISNINGER	DK
INSTRUÇÕES DE INSTALAÇÃO E MANUTENÇÃO	PT
ΟΔΗΓΙΕΣ ΤΟΠΟΘΕΤΗΣΗΣ ΚΑΙ ΣΥΝΤΗΡΗΣΗΣ	GR
POKYNY PRO INSTALACI A ÚDRŽBU	CZ
INSTRUKCJA MONTAŻU I KONSERWACJI	PL
TELEPÍTÉSI ÉS KARBANTARTÁSI ÚTMUTATÓ	HU
Инструкция по установке и обслуживанию	RU
ОРНАТУ ЖӘНЕ ҚЫЗМЕТ КӨРСЕТУ НҰСҚАУЛАР	KZ

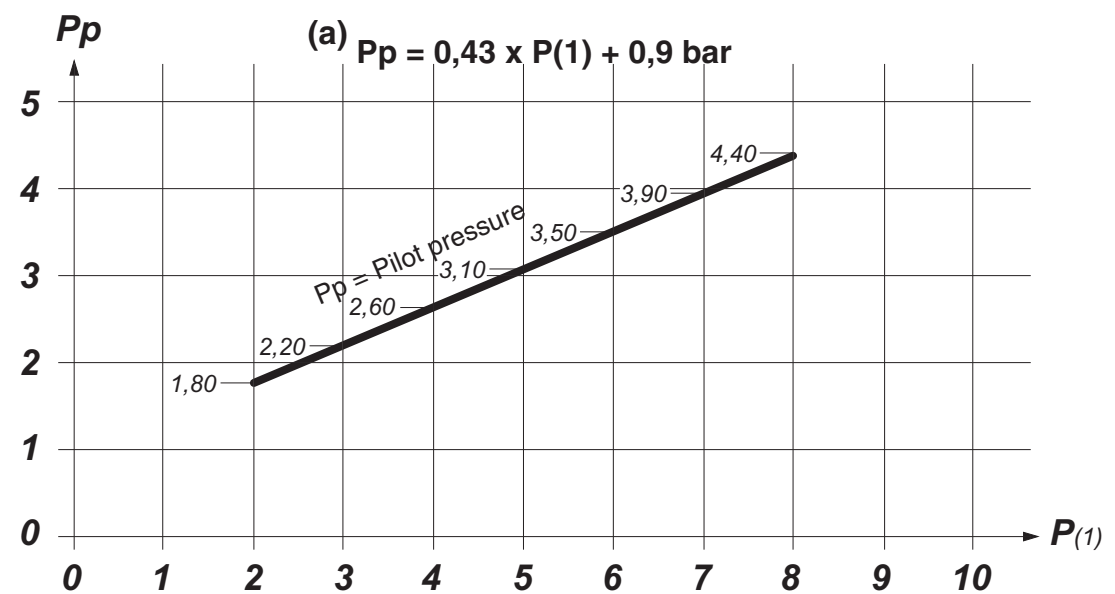
CABINET MOUNTING 501 SERIES



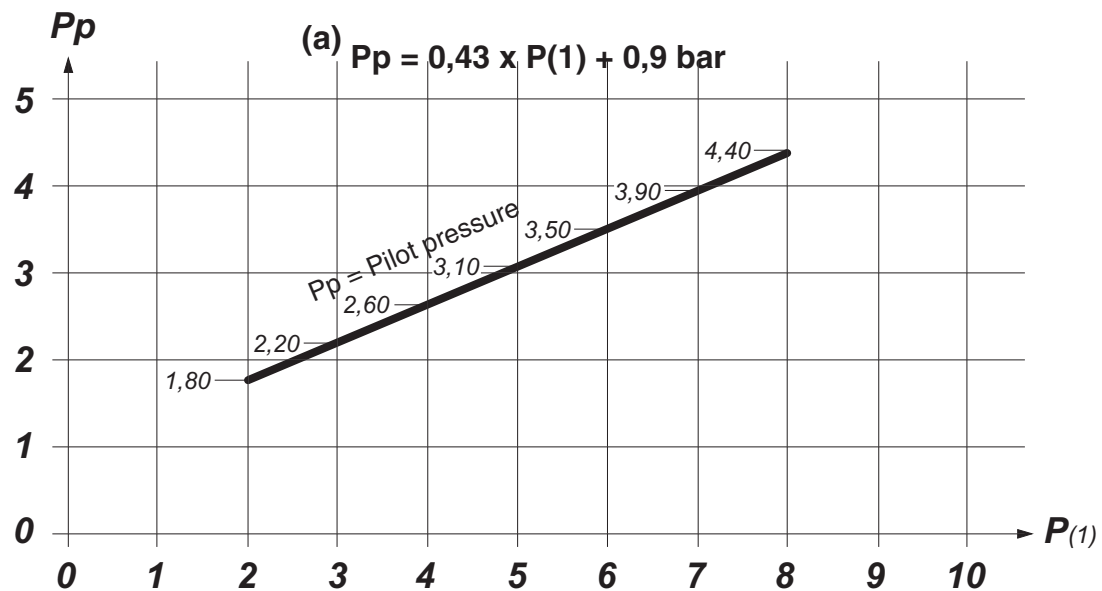
506366-001 / B

Availability, design and specifications are subject to change without notice. All rights reserved.

numatics		QUICK FITTING 4-6 mm (2 - 4 ports)	rated flow		T (ms)	14 Pp (bar) (23°C)		1 P (bar)	
			l/min	6,3 bar		min.	max.	min.	max. (PS)
		(14) (12)	1→2 1→4	2→3 4→5	o / c				=
2 x 3/2 NC	K		405	415	18 / 18	(a)	8	2	8
2 x 3/2 NO	N		400	400	18 / 18	(a)	8	2	8
2 x 3/2 NC - NO	H		405 400	415 400	18 / 18	(a)	8	2	8
2 x 3/2 NO - NC	P		400 405	400 415	18 / 18	(a)	8	2	8
5/2	S		405	410	14 / 29	2	8	-0,95	8
	M		405	410	25 / 21	2	8	-0,95	8
	J		405	410	11 / 11	2	8	-0,95	8
5/3	G		405	410	13 / 12	2	8	-0,95	8
	B		405	360	17 / 38	2,5	8	-0,95	8
	E		365	415	27 / 12	2	8	-0,95	8



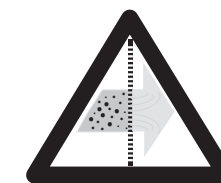
numatics™ QUICK FITTING 1/4" (2 - 4 ports)		rated flow		T (ms)	14 P _p (bar) (23°C)		1 P (bar)	
		l/min 6,3 bar /min (ANR)			min.	max.	min.	max. (PS)
				o / c				=
				(ms)				
(14) (12)	K			18 / 18	(a)	8	2	8
		460	470					
2 x 3/2 NO	N			18 / 18	(a)	8	2	8
		450	450					
2 x 3/2 NC - NO	H			18 / 18	(a)	8	2	8
		405	415					
2 x 3/2 NO - NC	P			18 / 18	(a)	8	2	8
		400	415					
5/2	S			14 / 29	2	8	-0,95	8
	M			25 / 21	2	8	-0,95	8
	J			11 / 11	2	8	-0,95	8
5/3	G			13 / 12	2	8	-0,95	8
	B			17 / 38	2,5	8	-0,95	8
	E			27 / 12	2	8	-0,95	8



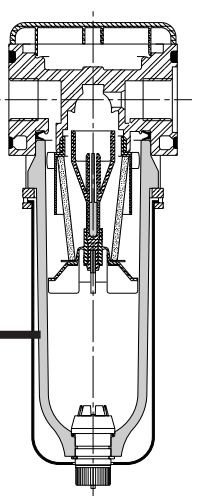
numatics™		15-DIGIT PRODUCT CODE		
		with impulse manual operator	with maintained manual operator	without manual operator
(14) (12)	K			
		R501A2BD0MA00F1	R501A2BD0M11BF1	R501A2BD0M11MF1
2 x 3/2 NO	N			
		R501A2BA0MA00F1	R501A2BA0M11BF1	R501A2BA0M11MF1
2 x 3/2 NC - NO	H			
		R501A2BC0MA00F1	R501A2BC0M11BF1	R501A2BC0M11MF1
2 x 3/2 NO - NC	P			
		R501A2BF0MA00F1	R501A2BF0M11BF1	R501A2BF0M11MF1
5/2	S			
	R501A2B10MA00F1	R501A2B10M11BF1	R501A2B10M11MF1	
	M			
5/3	B			
	R501A2B70MA00F1	R501A2B70M11BF1	R501A2B70M11MF1	
5/3	E			
	R501A2B50MA00F1	R501A2B50M11BF1	R501A2B50M11MF1	
	G			
5/3	B			
	R501A2B70MA00F1	R501A2B70M11BF1	R501A2B70M11MF1	
5/3	E			
	R501A2B50MA00F1	R501A2B50M11BF1	R501A2B50M11MF1	
	G			



AIR QUALITY [ISO 8573-1 (2010)]: Level 6.4.4



40 μm ↔ 5 μm



CABINET VERSIONS
(P = Panel Mount)
501 SERIES ASSEMBLY KIT
(W/ or W/o Plates)

G3
580
25 / 27
1-32
19 / 26

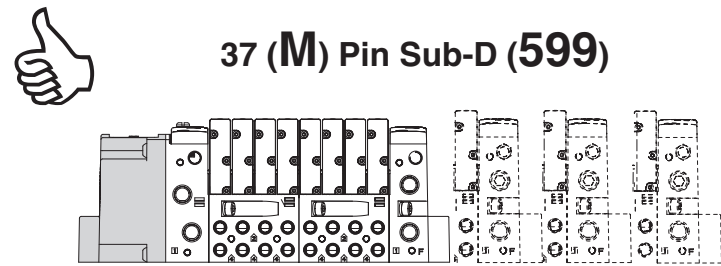
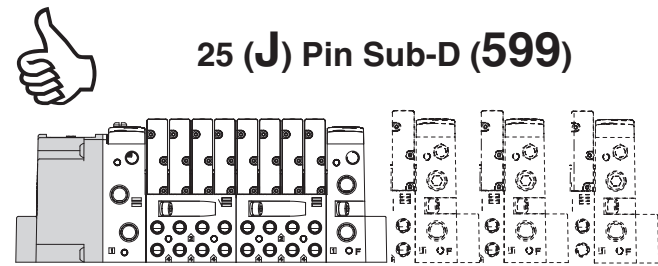
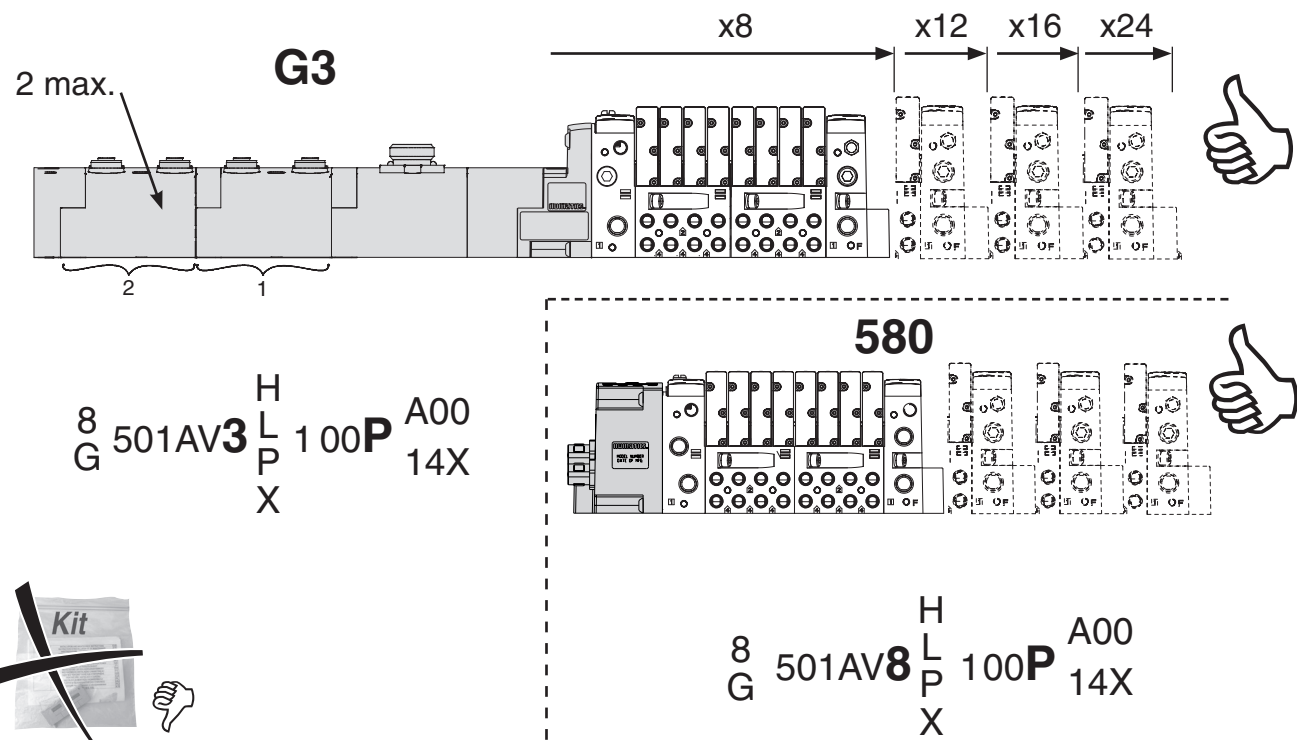
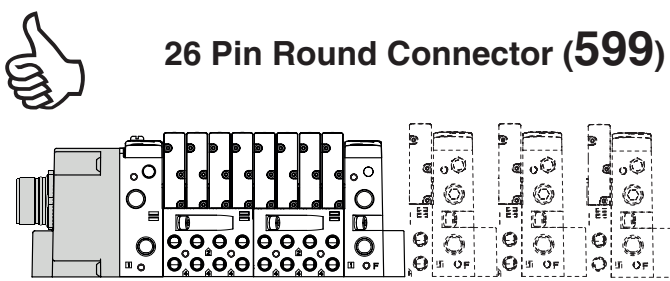
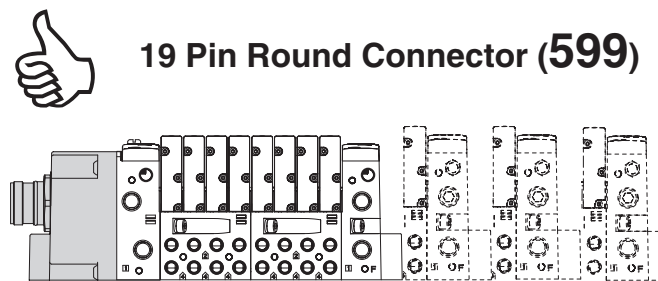


TABLE 1		max. coils
599	25 Pin Sub-D	22
	37 Pin Sub-D	32
	1-32 Terminal Strip	16
	26 Pin Round Connector	22

8 **G** 501AV**J** $\begin{matrix} H \\ L \\ P \end{matrix}$ 100**P** A00 14X

8 **G** 501AV**M** $\begin{matrix} H \\ L \\ P \\ X \end{matrix}$ 100**P** A00 14X



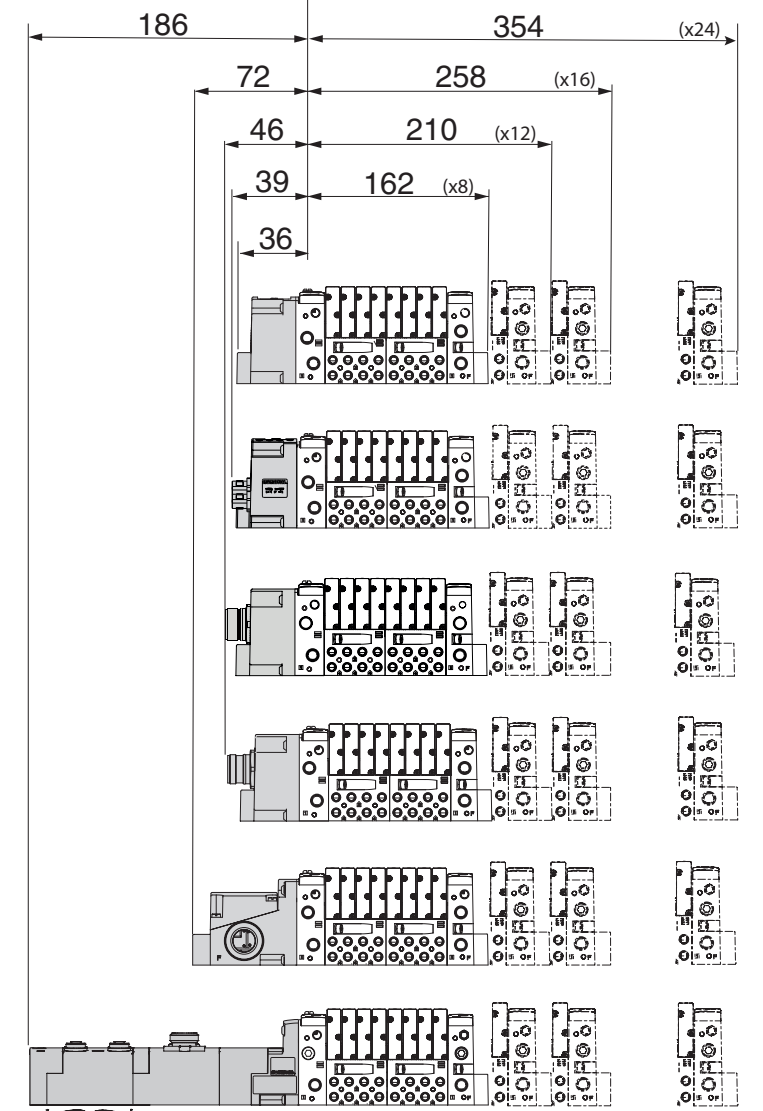
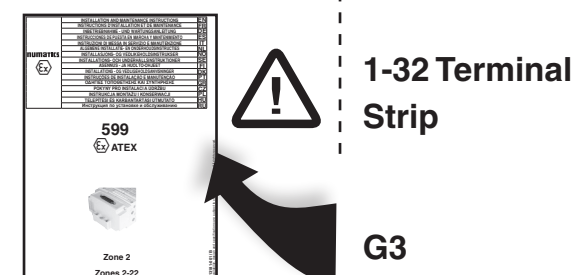
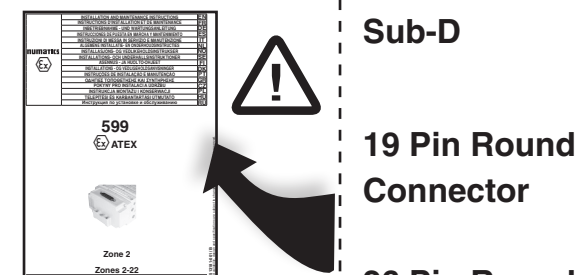
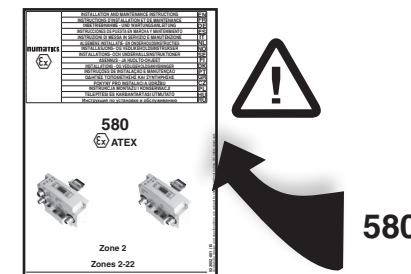
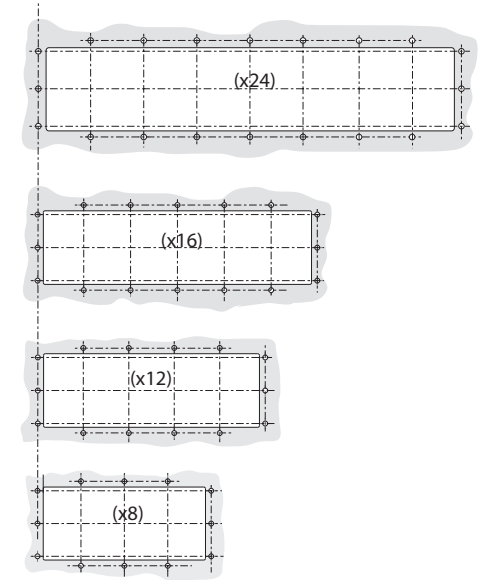
8 **G** 501AV**Q** $\begin{matrix} H \\ L \\ P \end{matrix}$ 100**P** A00 14X

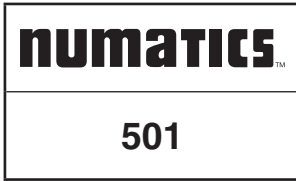
8 **G** 501AV**R** $\begin{matrix} H \\ L \\ P \end{matrix}$ 100**P** A00 14X

CABINET VERSIONS
(P = Panel Mount)

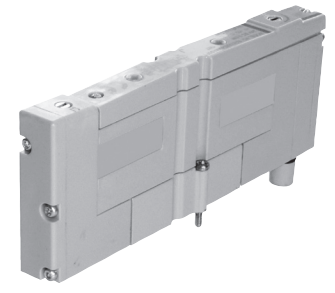
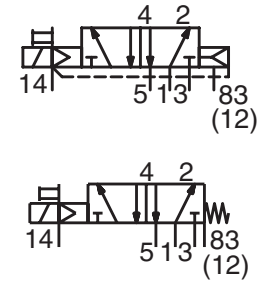
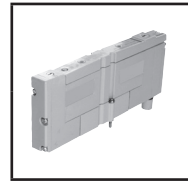
G3
580
25 / 27
1-32
19 / 26

TABLE 1		max. coils
599	25 Pin Sub-D	22
	37 Pin Sub-D	32
	1-32 Terminal Strip	16
	26 Pin Round Connector	22
G3	input modules (G3)	0
		1
		2
		3
		4
580	580	32
	580 Charm	48





CABINET VERSIONS
(Q4/P4 = Panel Mount/Subbase)



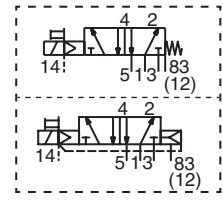
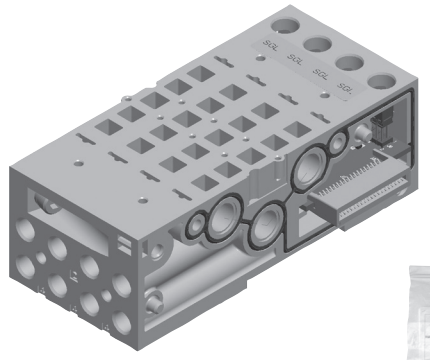
(standard versions)



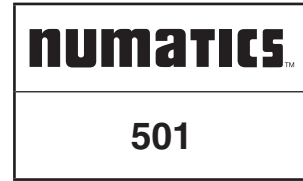
Part No.	Part Name	Part Description	Part Quantity	Part Unit
...



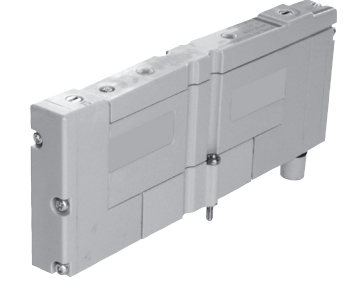
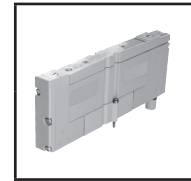
SGL



H501AM**Q4**BMA0010



CABINET VERSIONS
(X-32 Driver)



(standard versions)

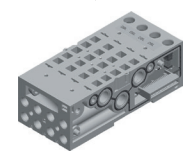
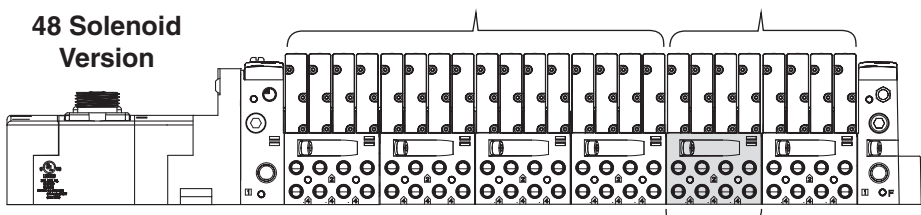


Part No.	Part Name	Part Description	Part Quantity	Part Unit
...



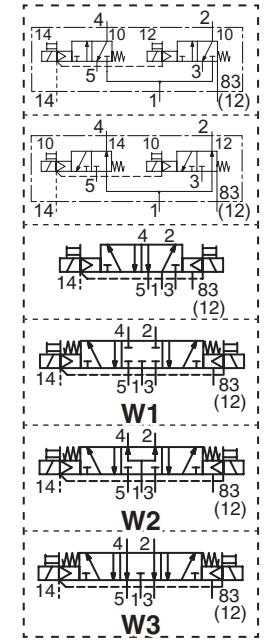
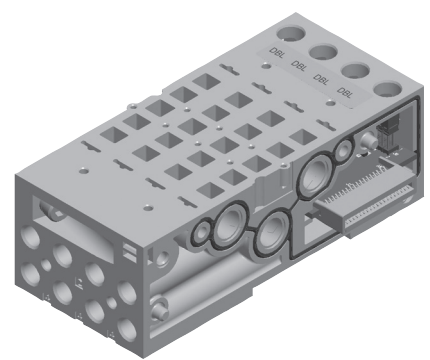
Solenoids 1 → 32

Solenoids 33 → 48



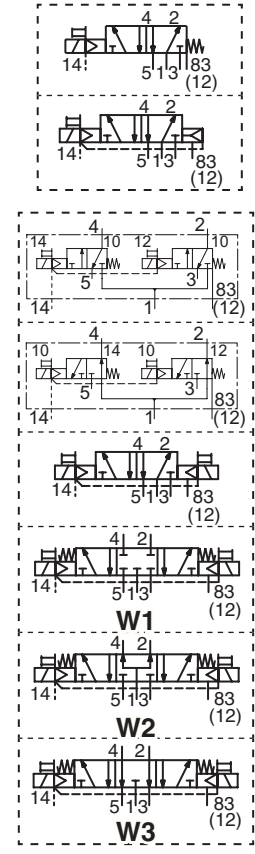
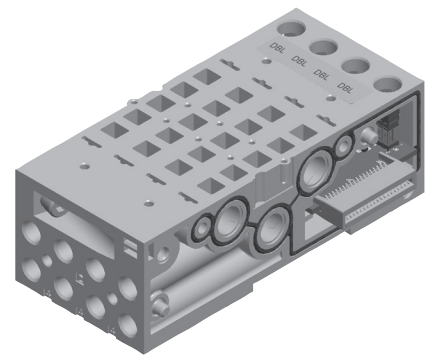
H501AF**P4**BMA0010

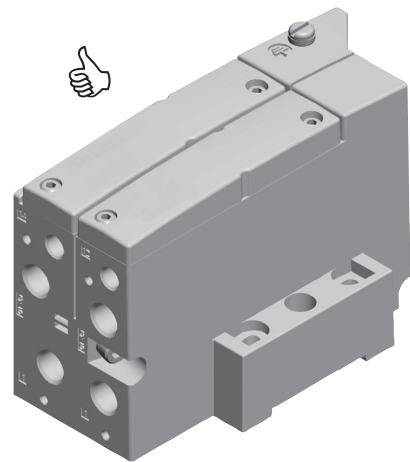
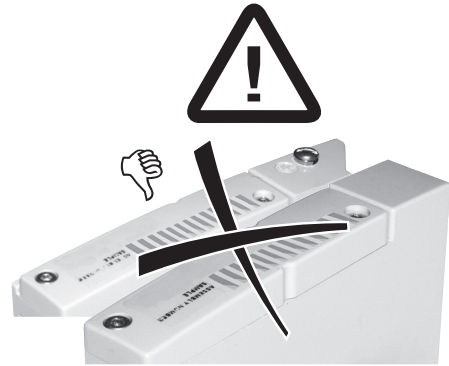
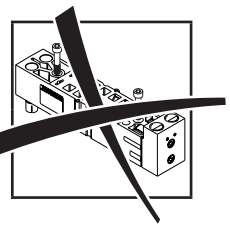
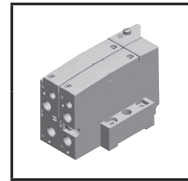
DBL



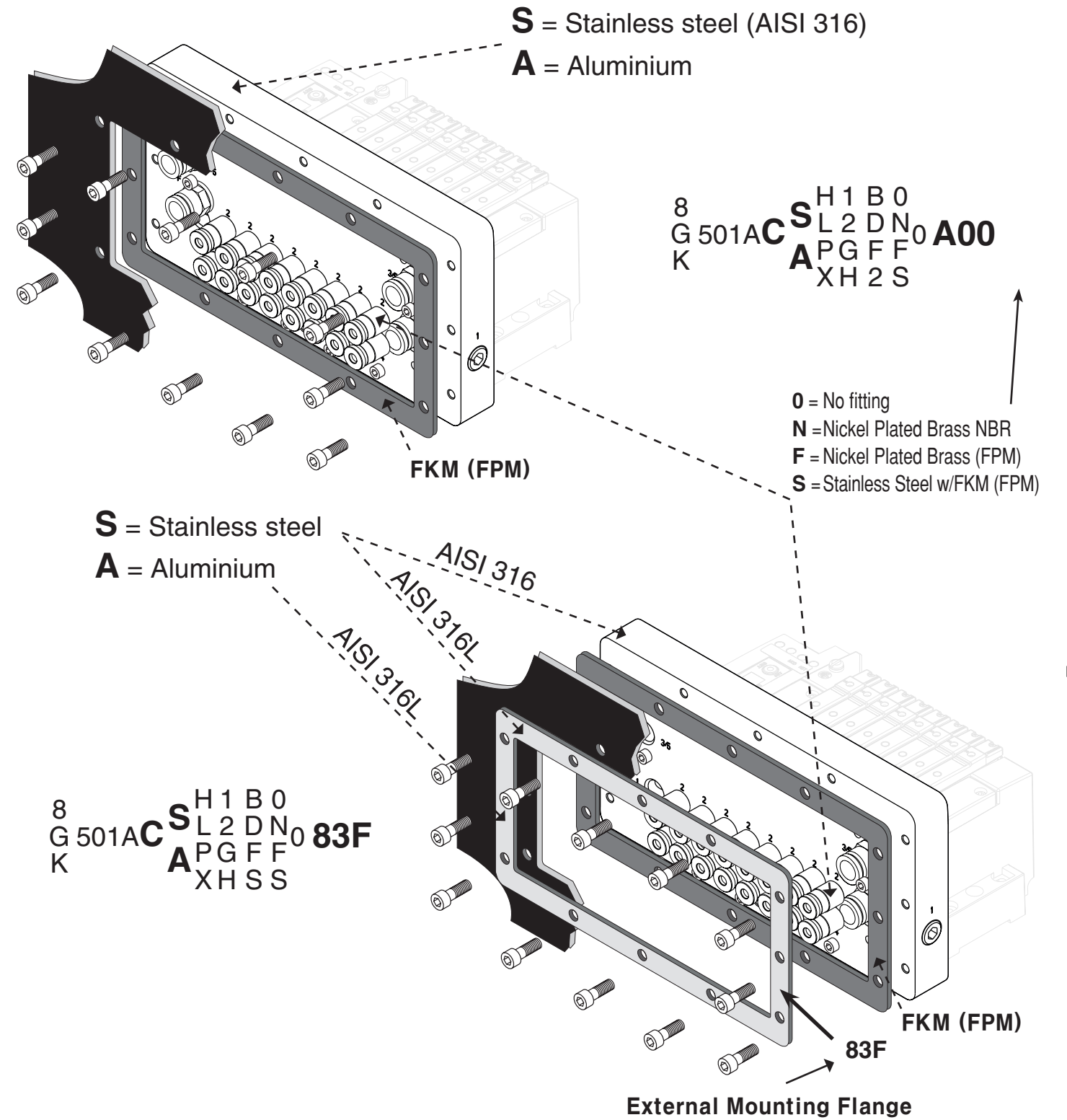
H501AM**P4**BMA0010

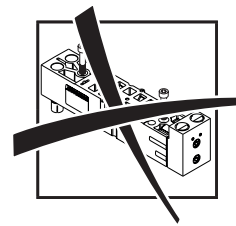
DBL



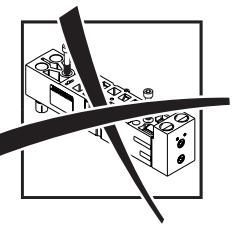
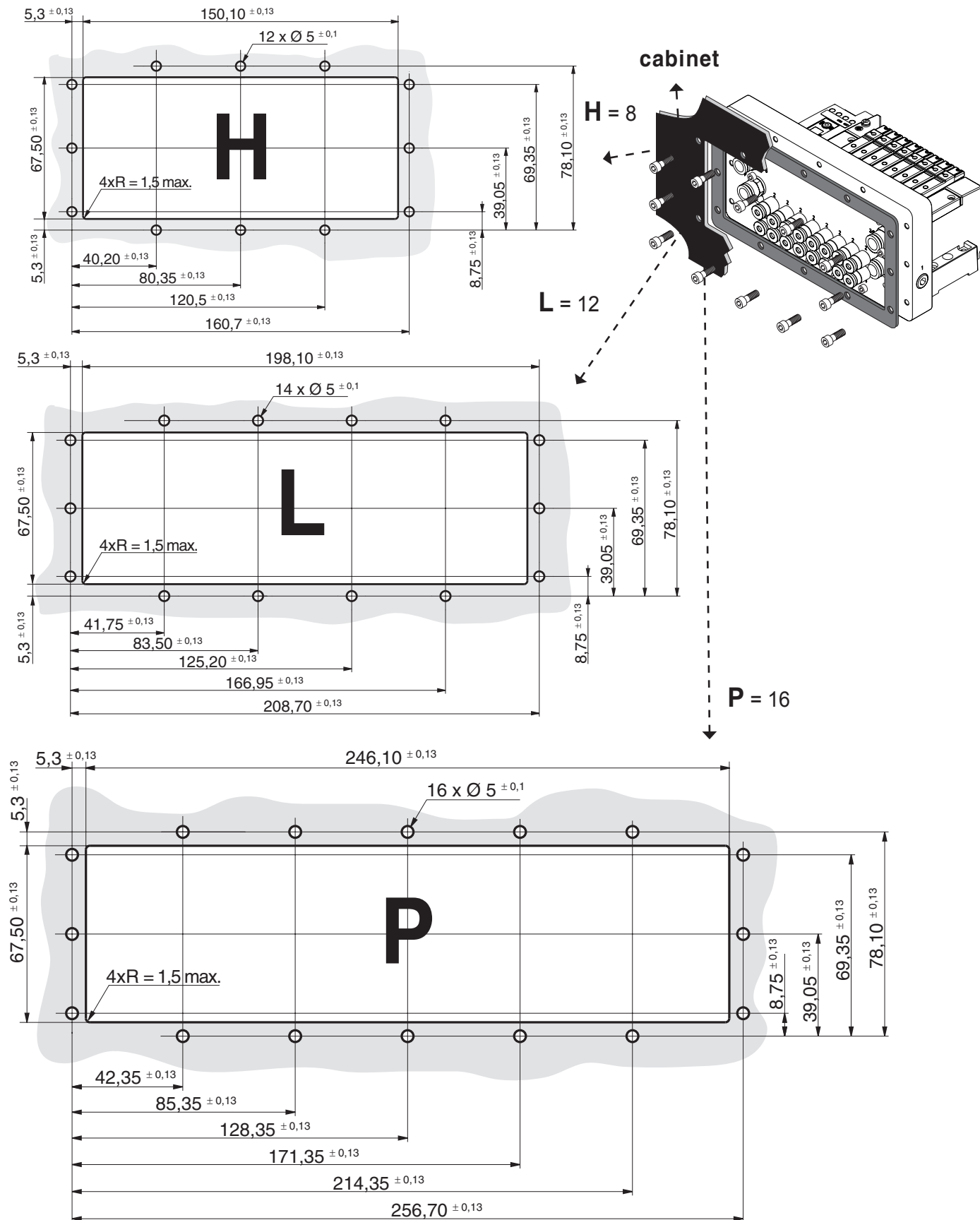


<p>G (ISO 228/1) M7 1/8</p>		<p>G501AK429465026</p>
<p>NPT M7 1/8</p>		<p>8501AK429465025</p>
<p>G (ISO 228/1) M7 1/8</p>		<p>8501AK429465049</p>

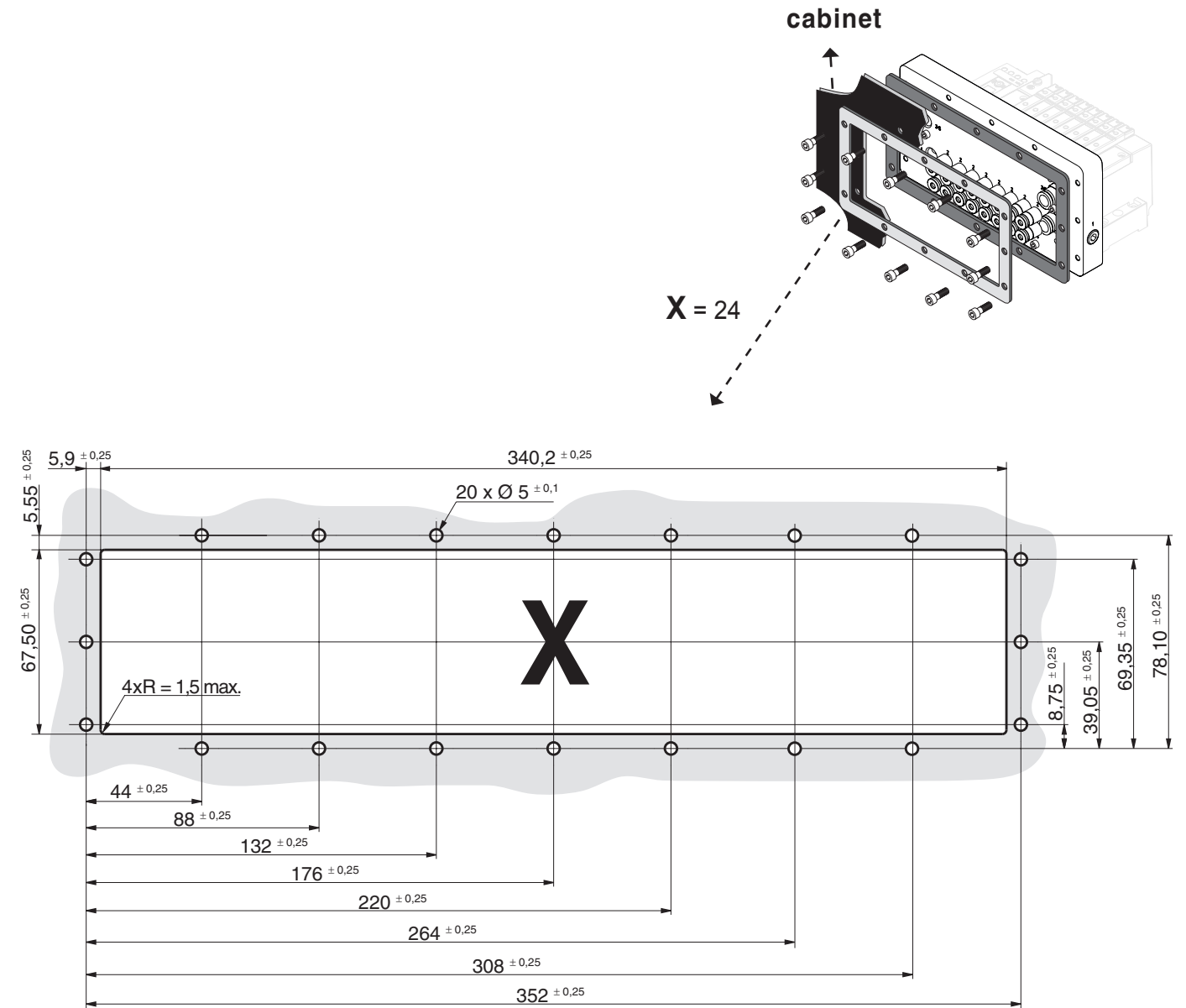




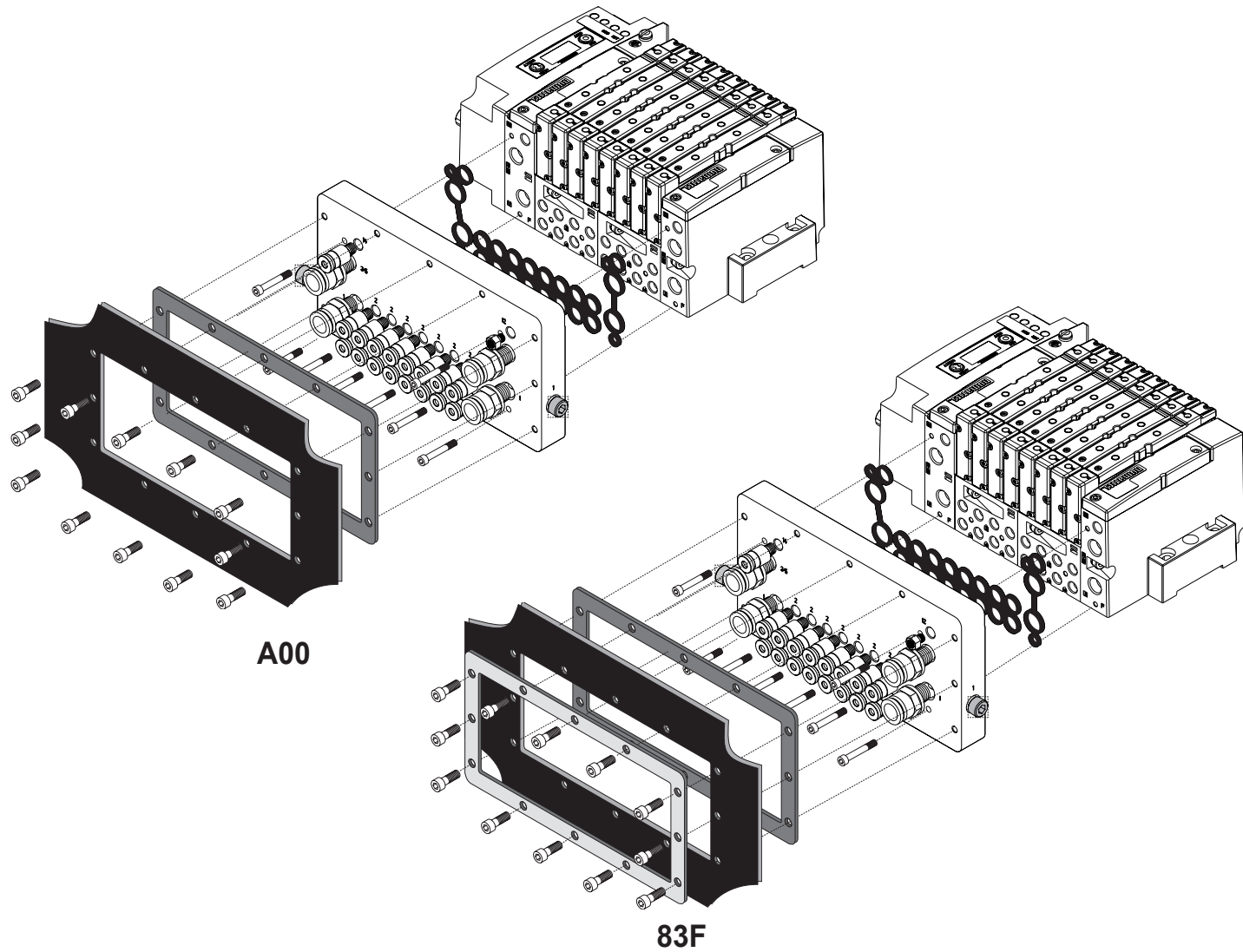
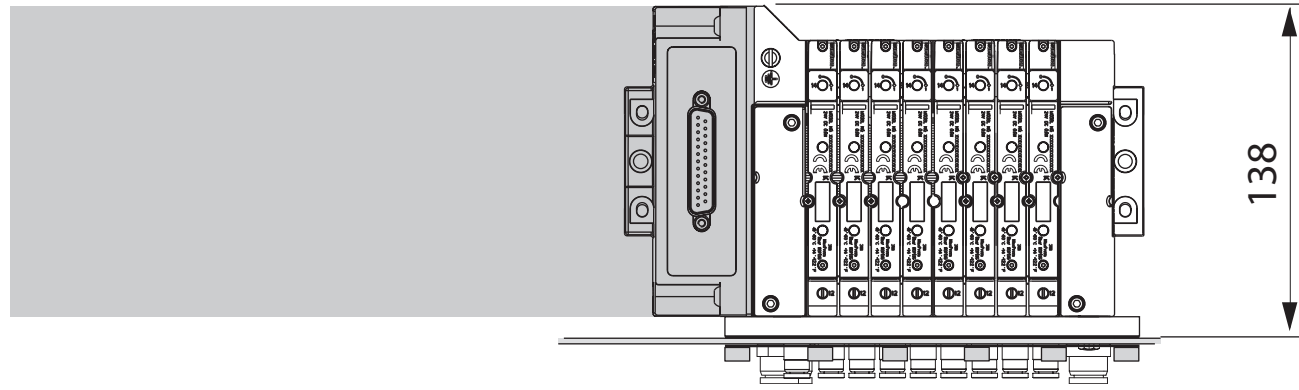
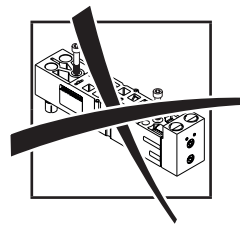
2D/3D CAD models



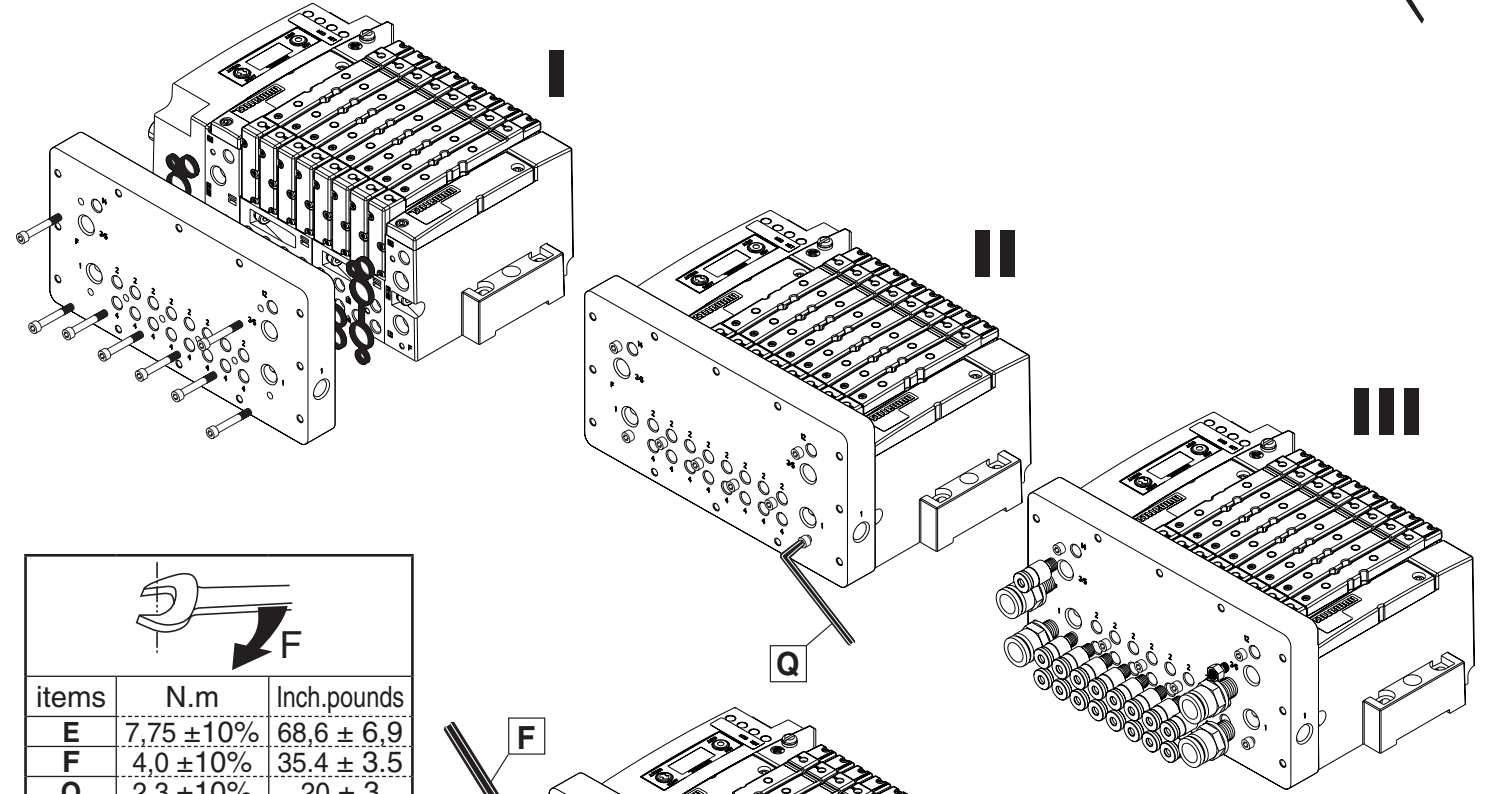
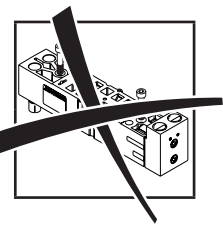
2D/3D CAD models



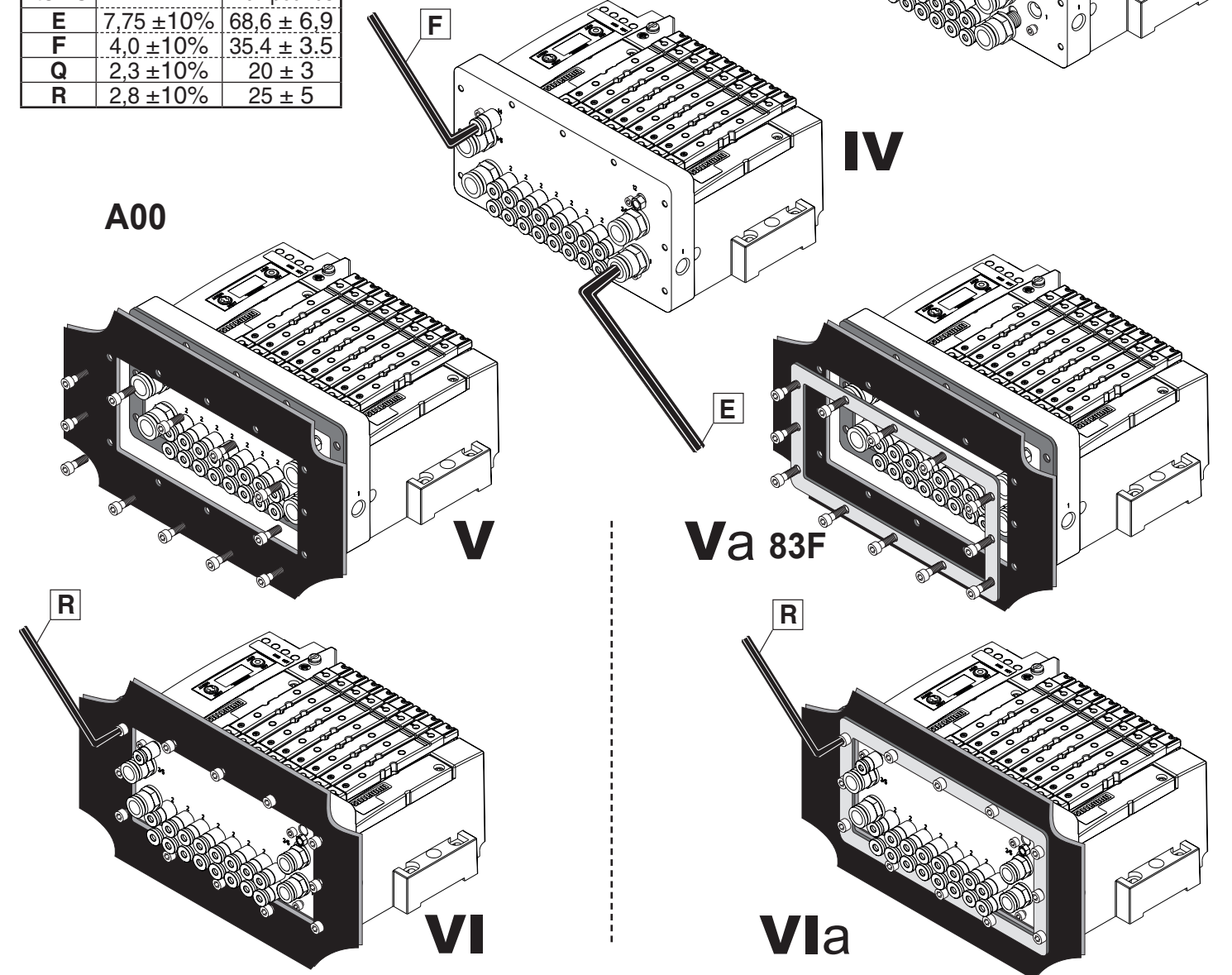
CABINET VERSIONS
Panel Mount Assembly
Version without Vertical Shut Off



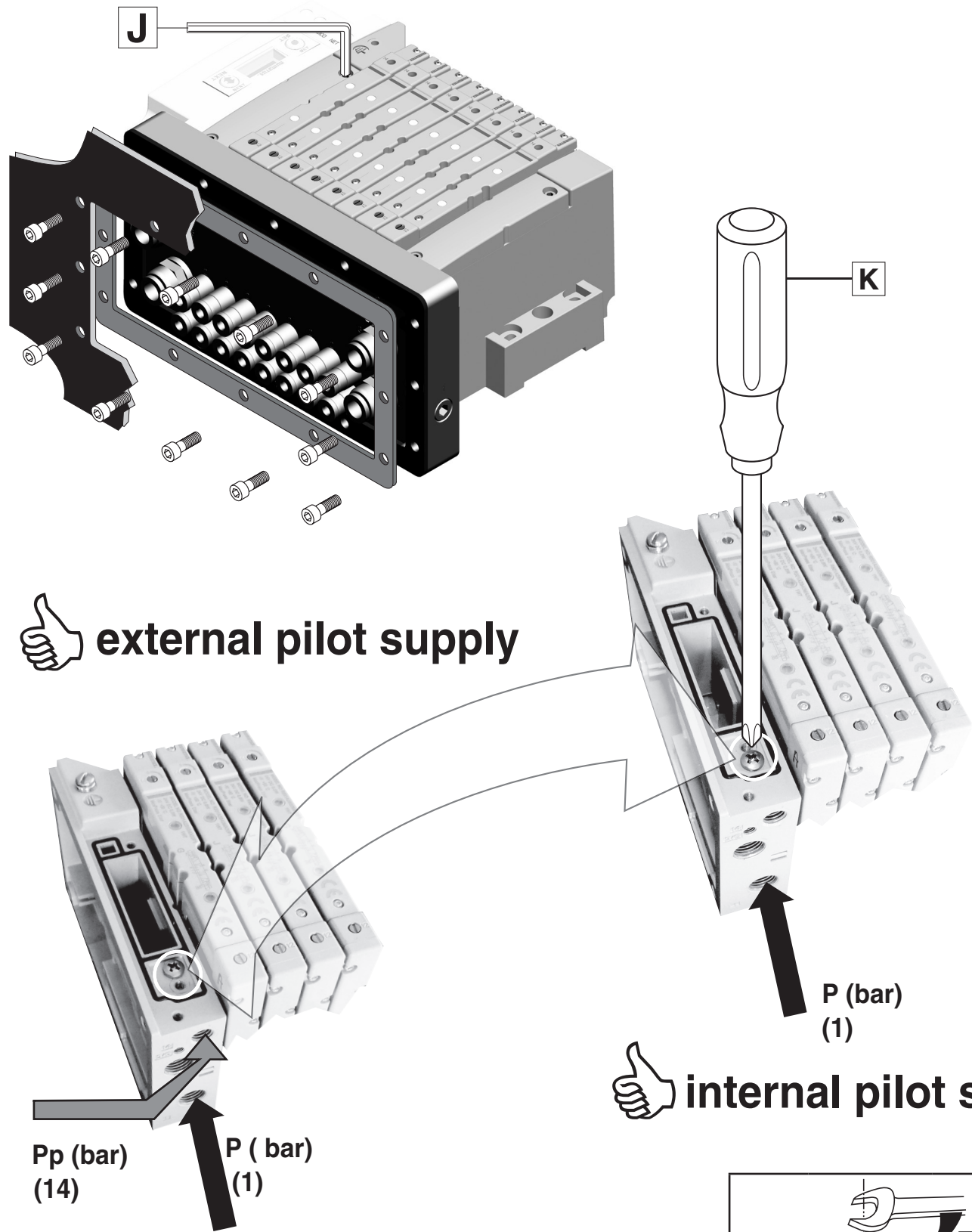
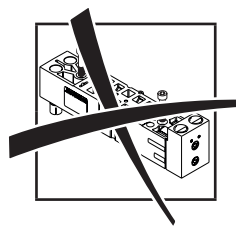
CABINET VERSIONS
Panel Mount Assembly
Version without Vertical Shut Off



items	N.m	Inch.pounds
E	7,75 ±10%	68,6 ± 6,9
F	4,0 ±10%	35,4 ± 3,5
Q	2,3 ±10%	20 ± 3
R	2,8 ±10%	25 ± 5



CABINET VERSIONS
Panel Mount Assembly
Version *without Vertical Shut Off*

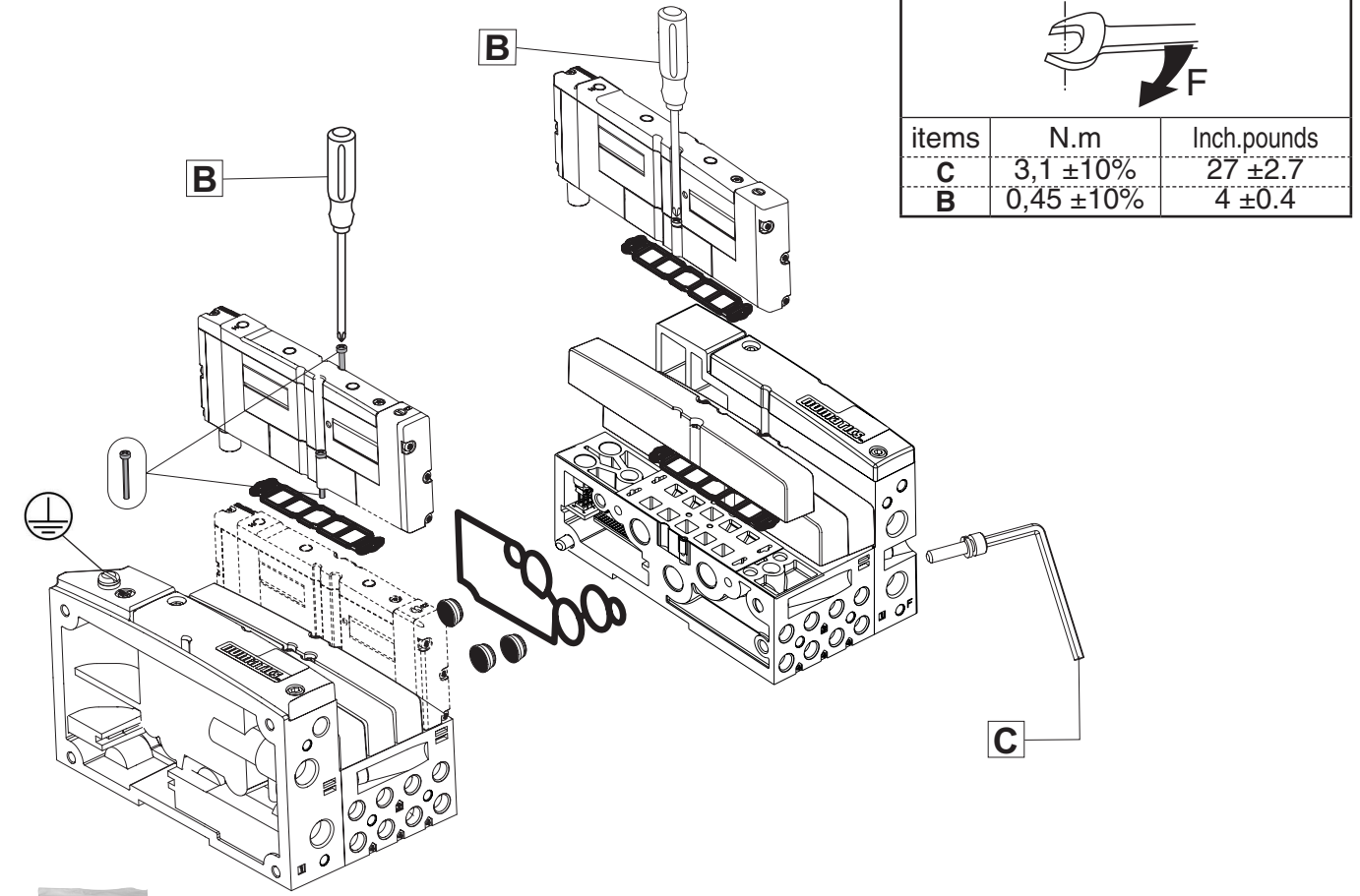
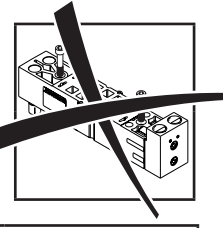


external pilot supply

internal pilot supply

items	N.m	Inch.pounds
K	1,1 ±10%	10 ±1
J	2,4 ±10%	21 ±2.1

CABINET VERSIONS
Accessories
Version *without Vertical Shut Off*

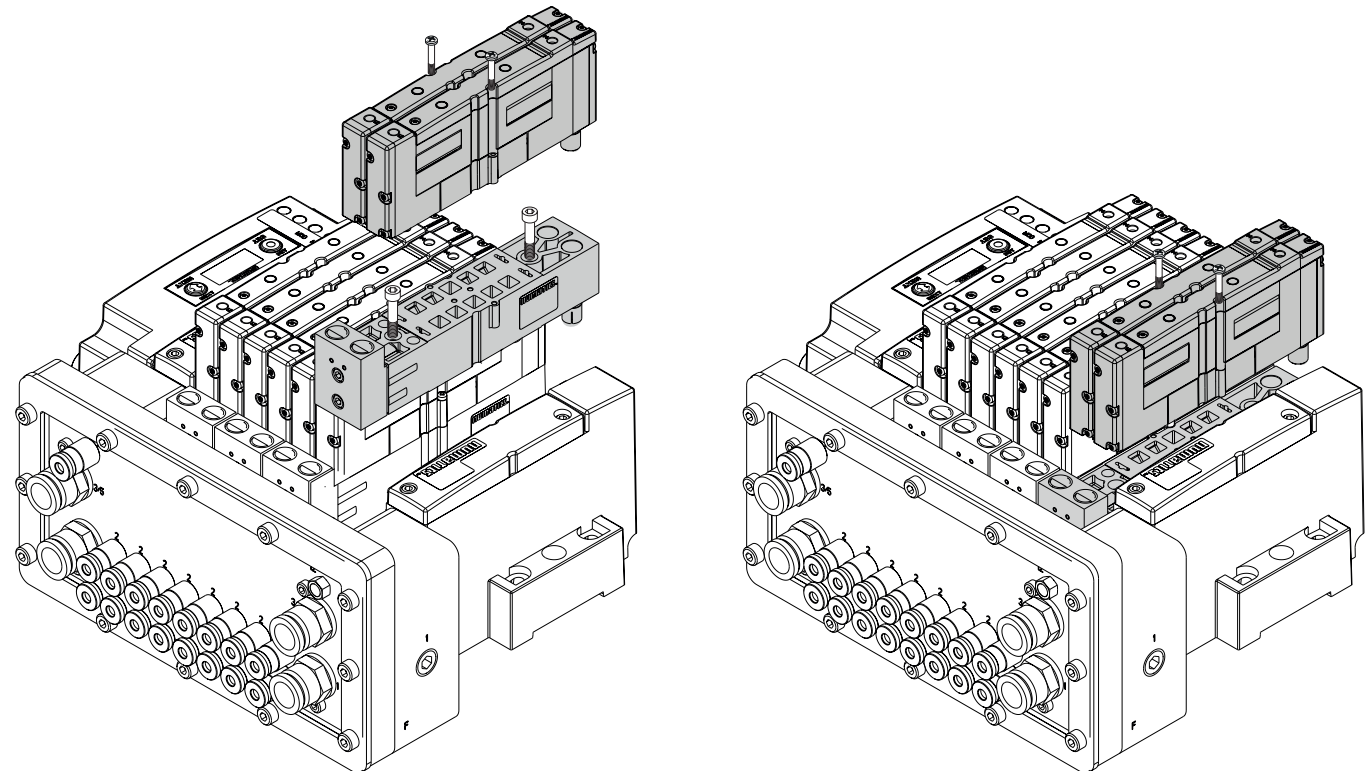
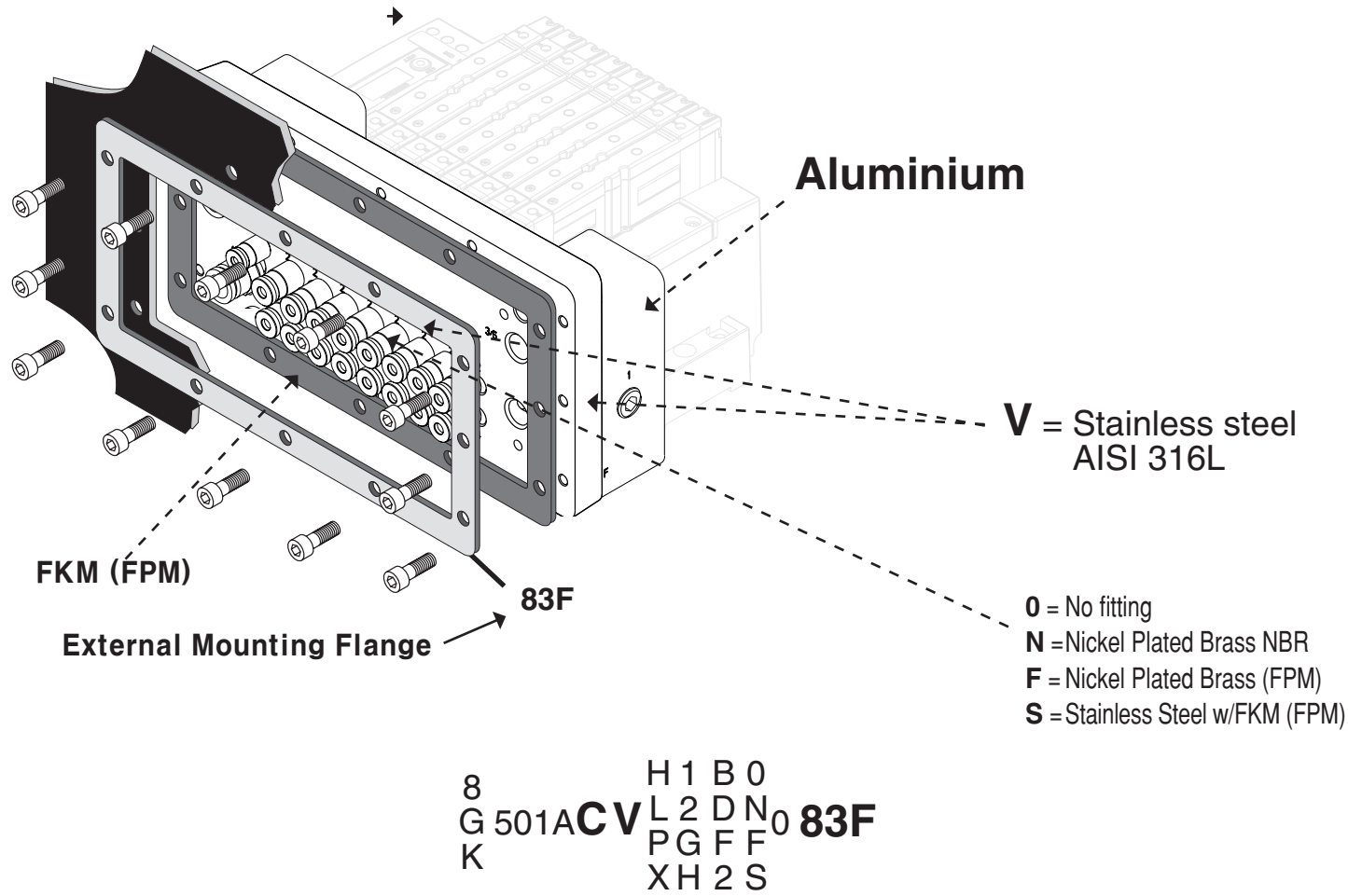
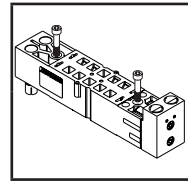


items	N.m	Inch.pounds
C	3,1 ±10%	27 ±2.7
B	0,45 ±10%	4 ±0.4

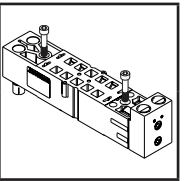
P501AB429685001		
------------------------	--	--

P501AD431915001		+		•	1
P501AD431915002		+		•	3
P501AD431915003		+		•	5
P501AD431915004		+		•	1, 3
P501AD431915005		+		•	1, 5
P501AD431915006		+		•	3, 5
P501AD431915007		+		•	1, 3, 5

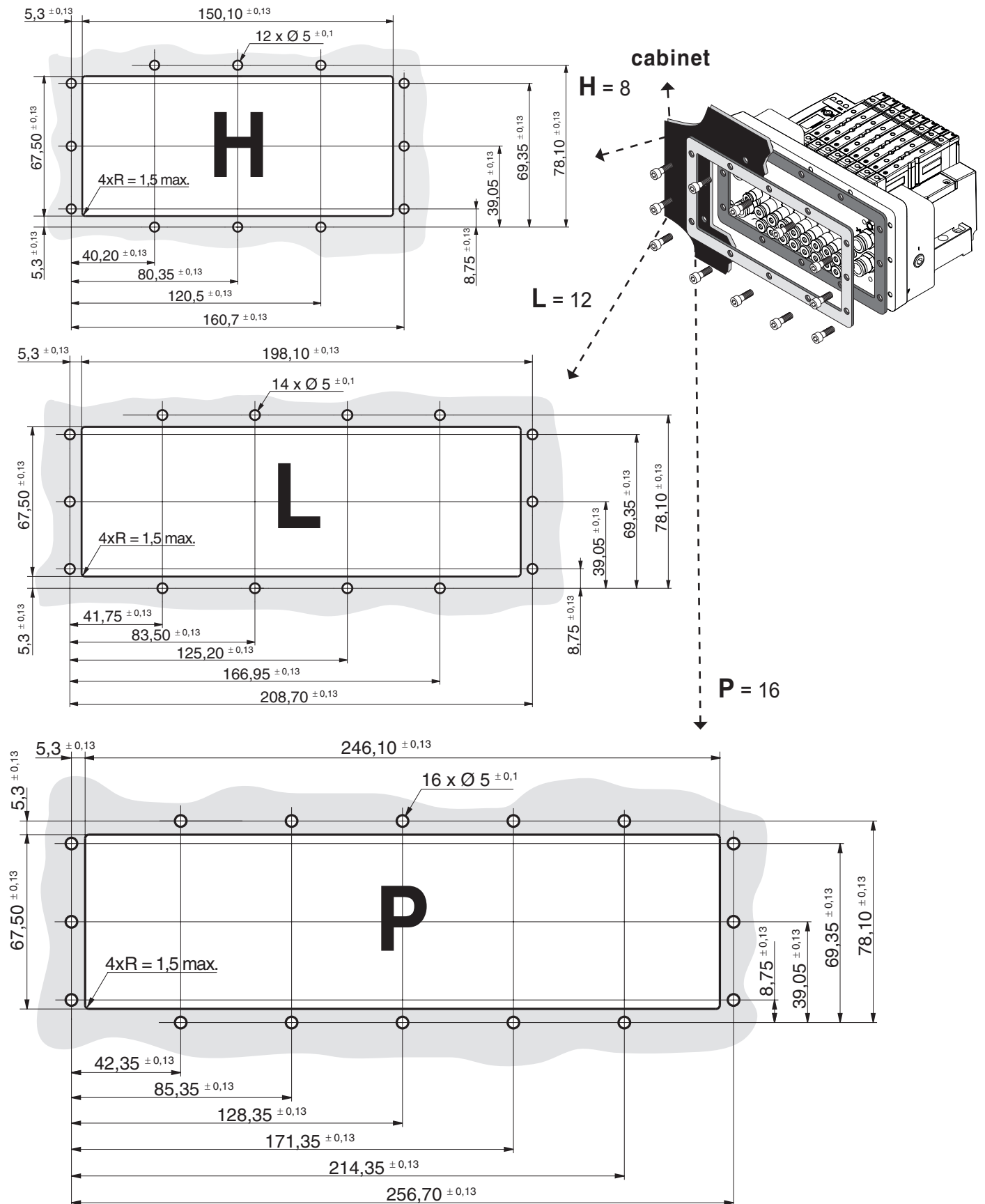
CABINET VERSIONS
Panel Mount Assembly
Version *with Vertical Shut Off*
KIT PLATE ALONE

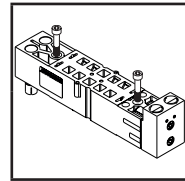


CABINET VERSIONS
Panel Mount Assembly
Version *with Vertical Shut Off*

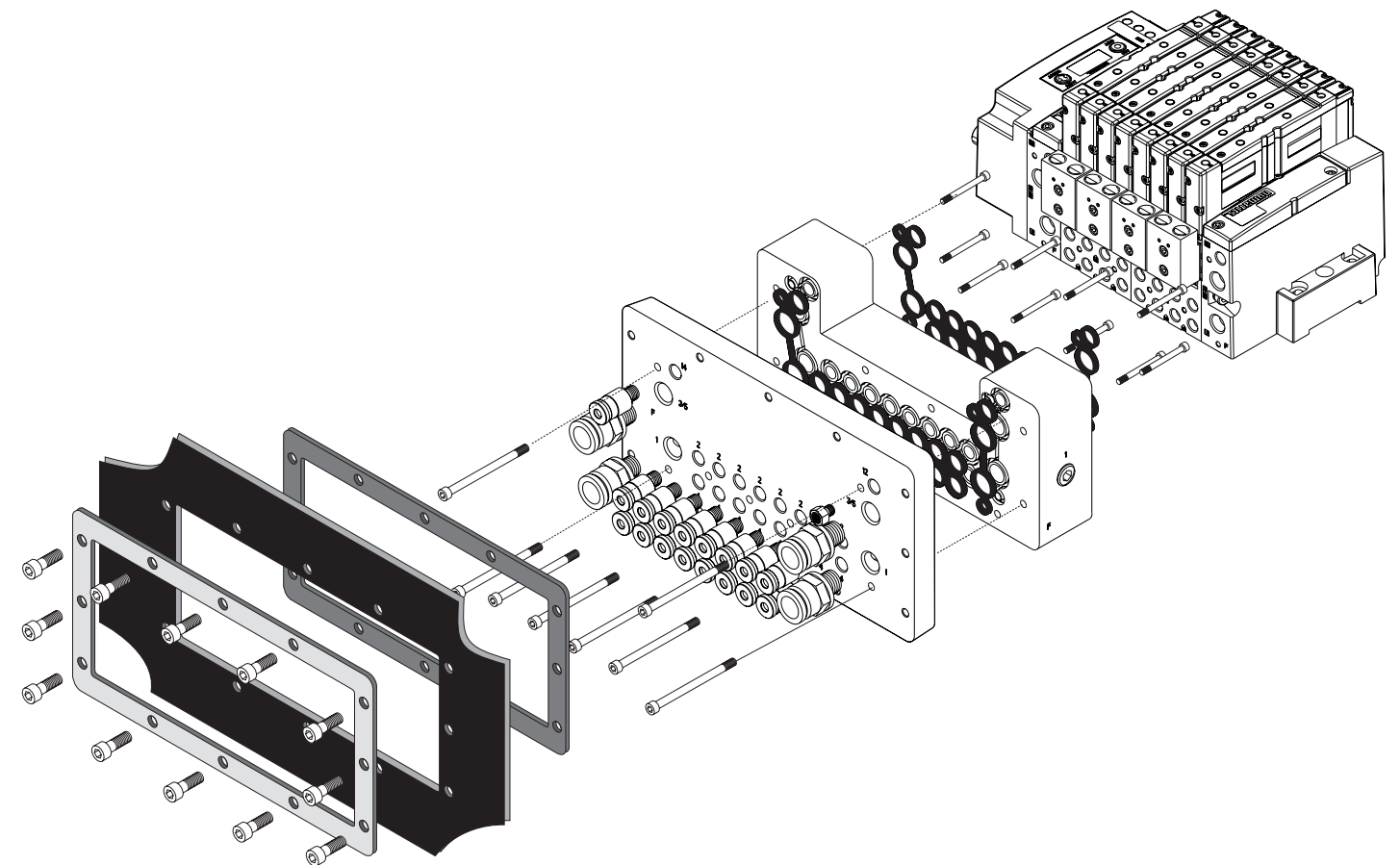
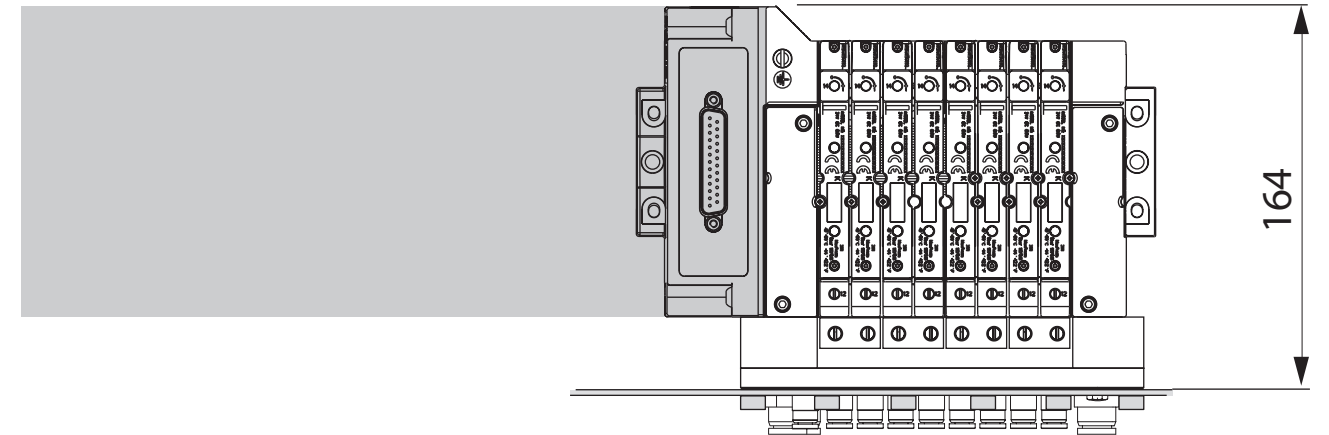
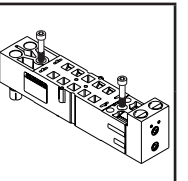
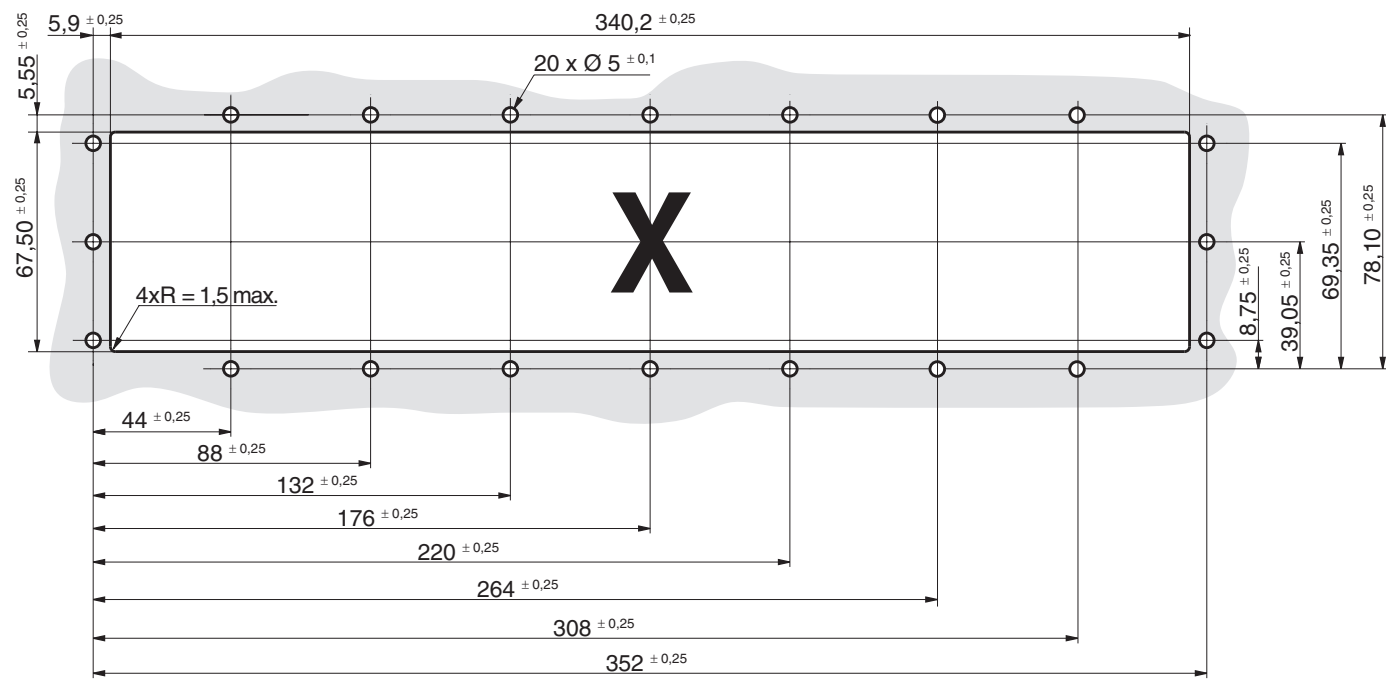
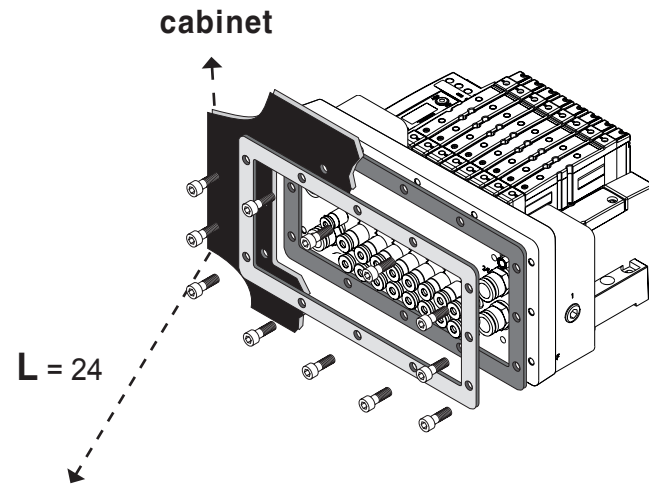


2D/3D CAD models



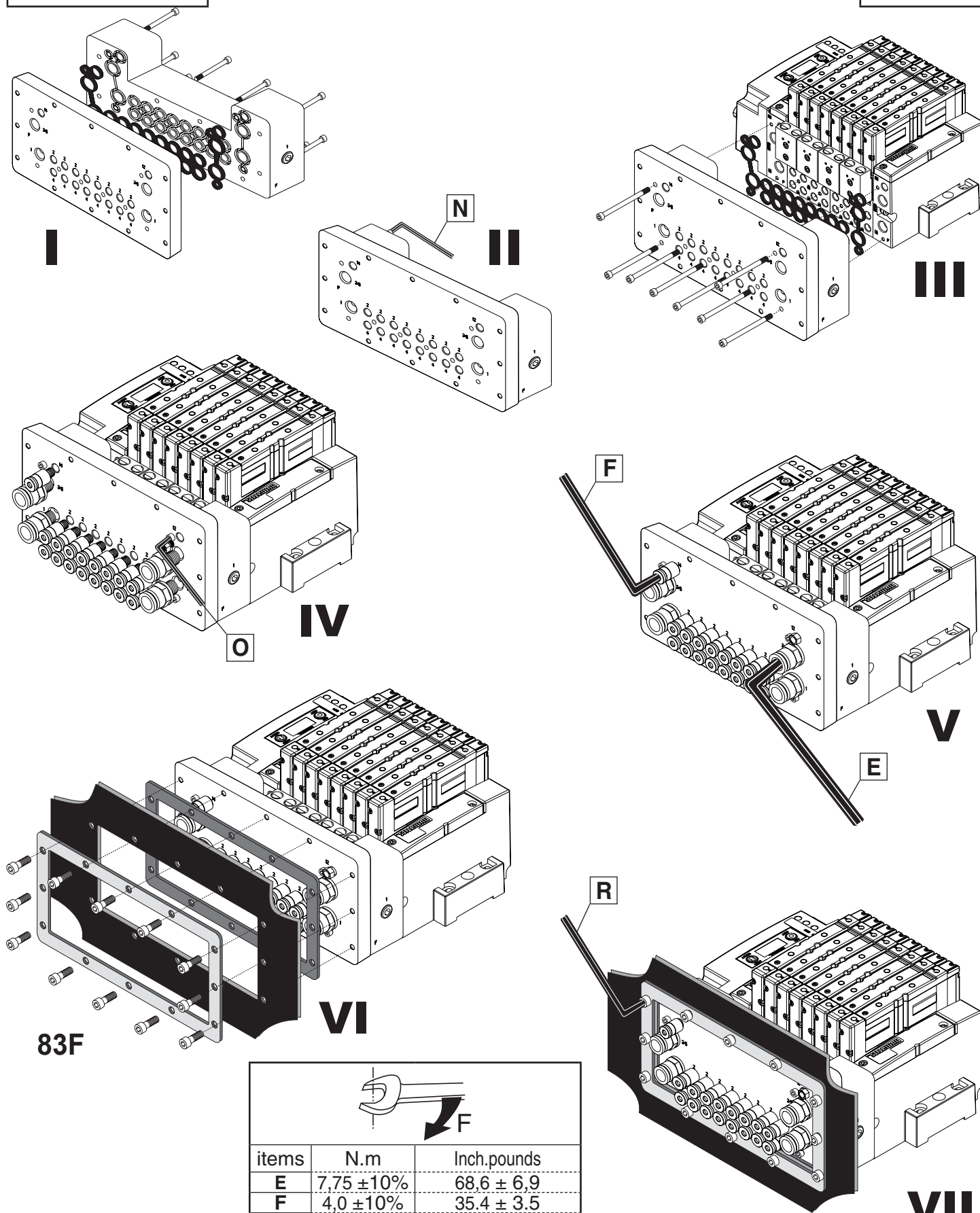
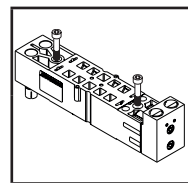


2D/3D CAD models



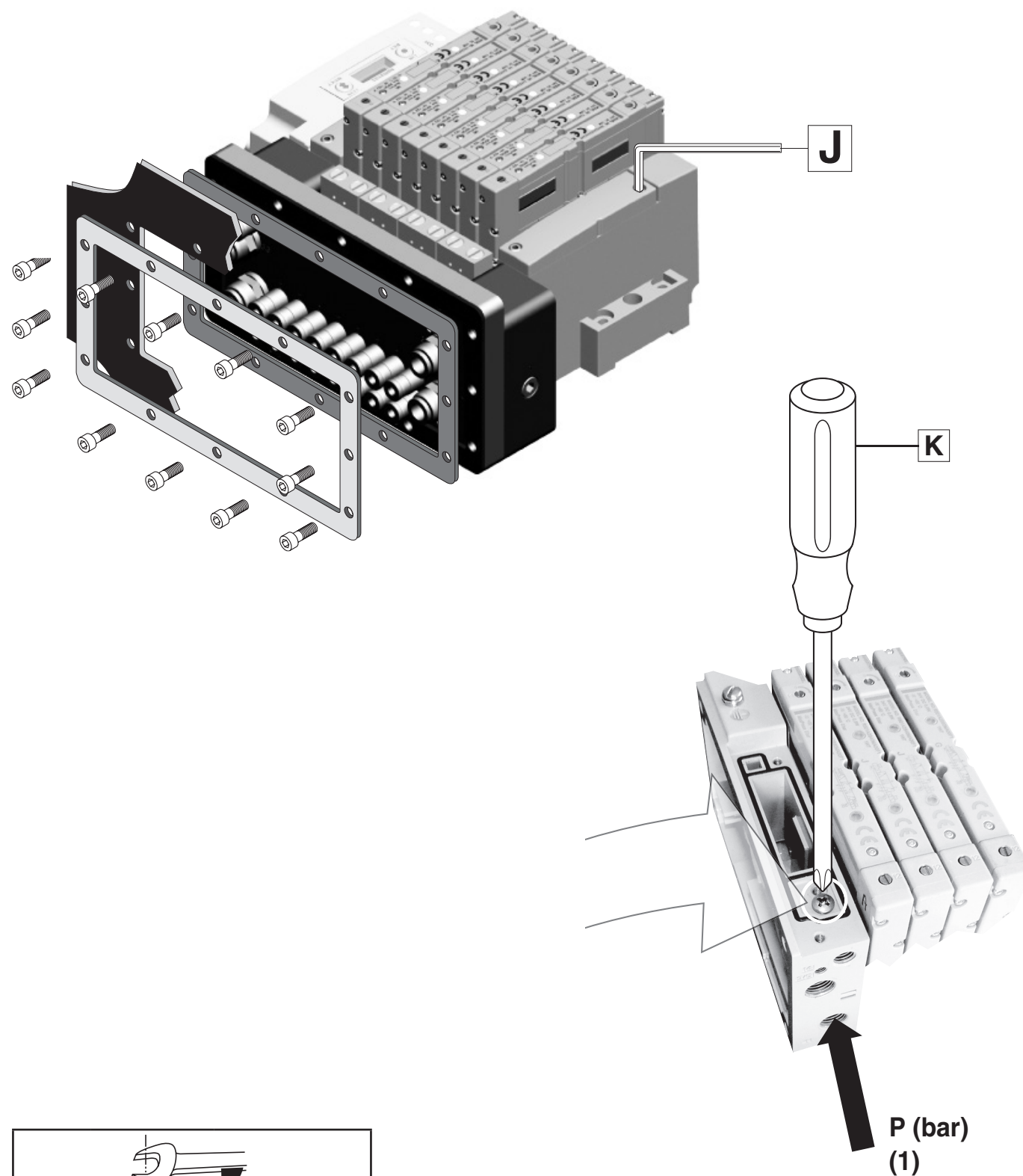
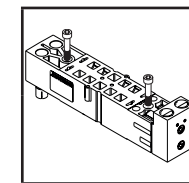
83F

CABINET VERSIONS
Panel Mount Assembly
Version with Vertical Shut Off



items	N.m	Inch.pounds
E	7,75 ±10%	68,6 ± 6,9
F	4,0 ±10%	35,4 ± 3,5
N	2,3 ±10%	20 ± 3
O	2,3 ±10%	20 ± 3
R	2,8 ±10%	25 ± 5

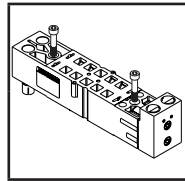
CABINET VERSIONS
Panel Mount Assembly
Version with Vertical Shut Off



items	N.m	Inch.pounds
K	1,1 ±10%	10 ±1
J	2,4 ±10%	21 ±2.1

internal pilot supply

CABINET VERSIONS
Panel Mount Assembly
Version with Vertical Shut Off

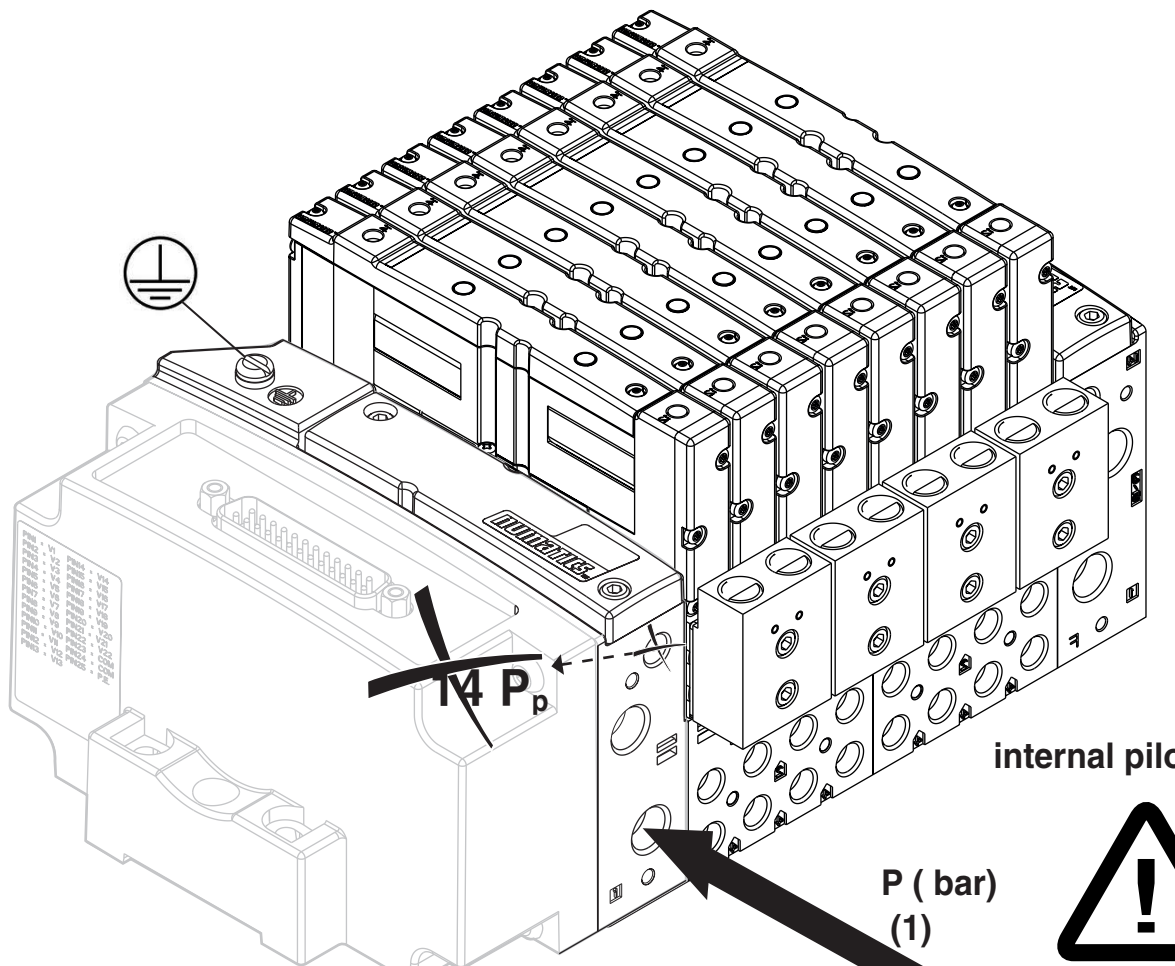







R501AY503875001



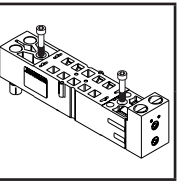


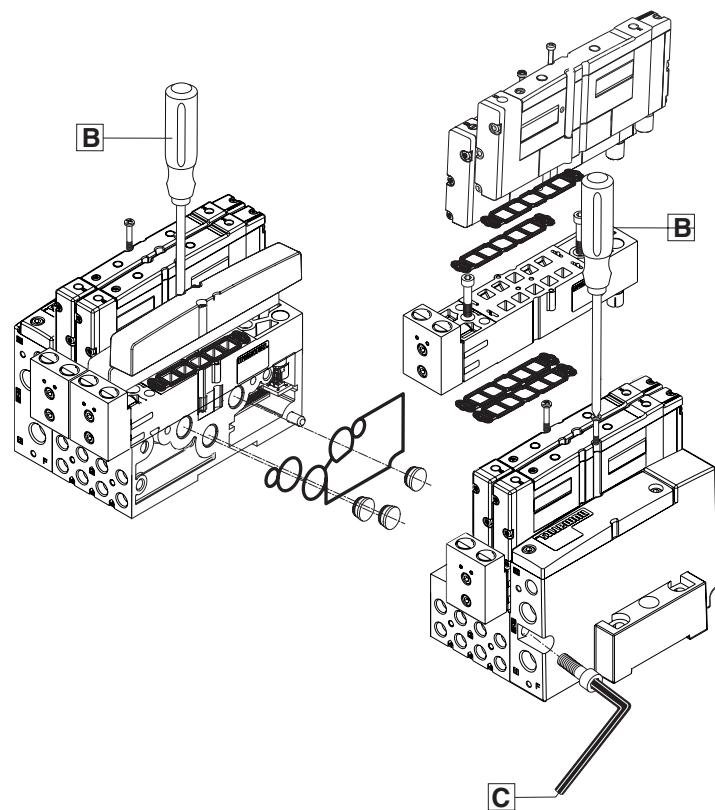
internal pilot supply

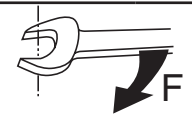
P (bar) (1)




CABINET VERSIONS
Accessories
Version with Vertical Shut Off



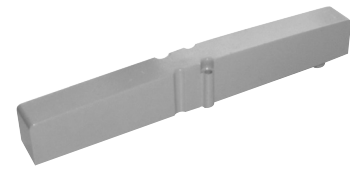







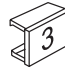


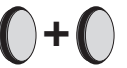


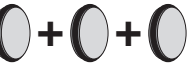

items	N.m	Inch.pounds
C	3,1 ±10%	27 ±2.7
B	0,45 ±10%	4 ±0.4



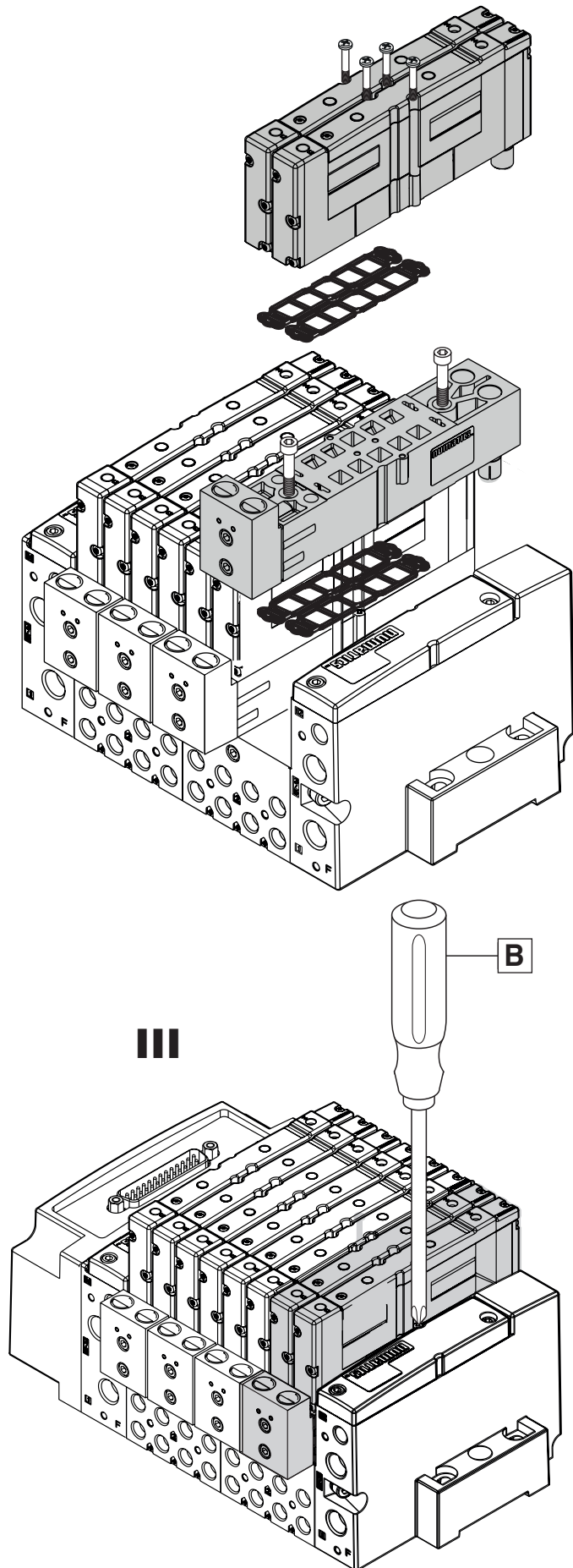
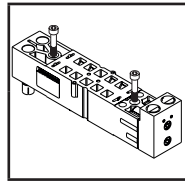
P501AB429685001



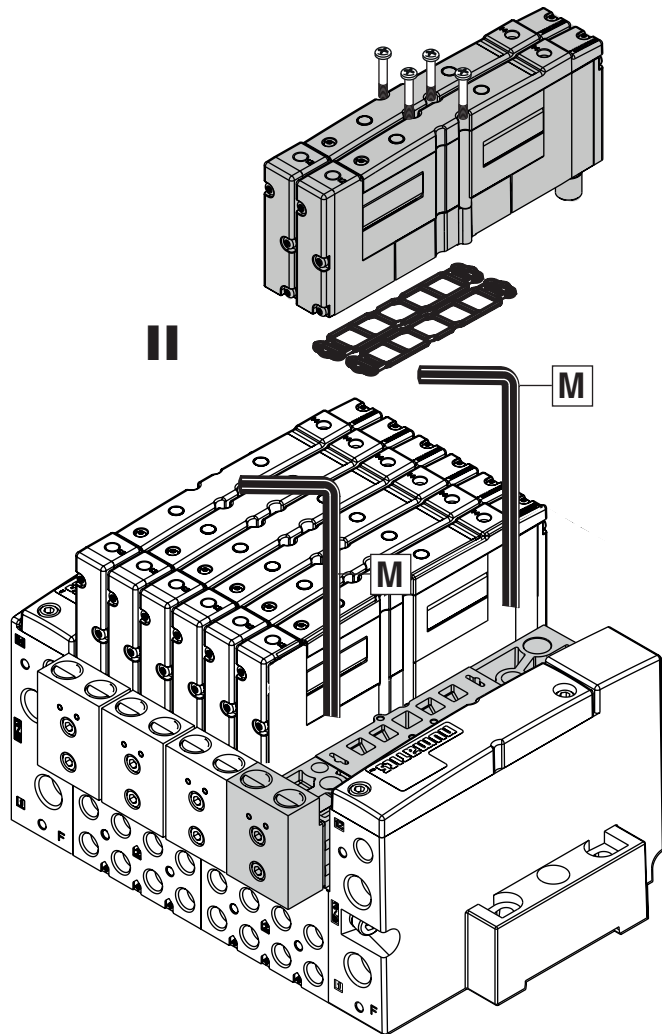


P501AD431915001		+		•	1
P501AD431915002		+		•	3
P501AD431915003		+		•	5
P501AD431915004		+		•	1, 3
P501AD431915005		+		•	1, 5
P501AD431915006		+		•	3, 5
P501AD431915007		+		•	1, 3, 5

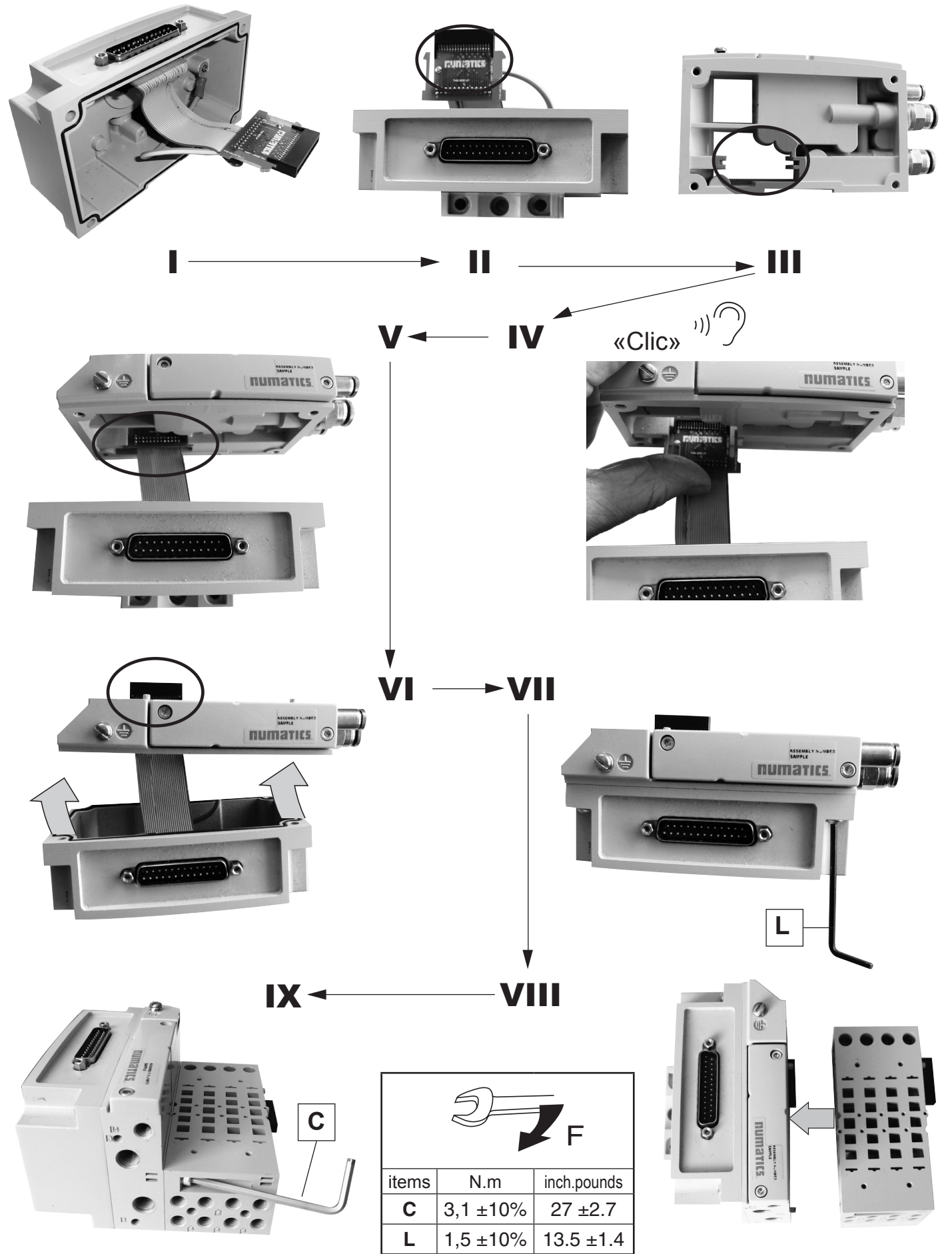
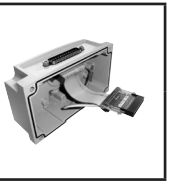
CABINET VERSIONS
Accessories
Version with Vertical Shut Off



items	N.m	Inch.pounds
B	0,45 ±10%	4 ±0.4
M	1,7 ±10%	15.1 ±1.5



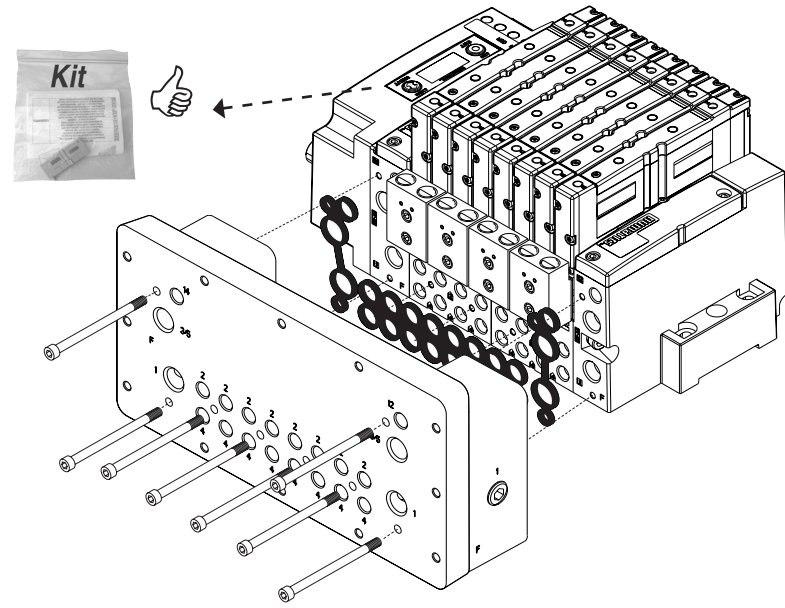
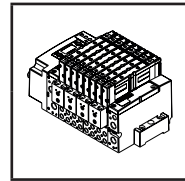
25 Pin Sub-D / 37 Pin Sub-D
1-32 Terminal Strip / 19 or 26 Pin Round Connector
G3 / 580



items	N.m	inch.pounds
C	3,1 ±10%	27 ±2.7
L	1,5 ±10%	13.5 ±1.4

CABINET VERSIONS

580



	DeviceNet™ P580AEDN1010A00		Ethernet/IP™ P580AEEP1010A00
	PROFIBUS DP® P580AEPT1010A00		EtherCAT® P580AEEC1010A00
	EtherNET/IP™ DLR P580AEED1010A00		PROFINET® P580AEPN1010A00
	SUB-BUS P580AEDS4010A00		

