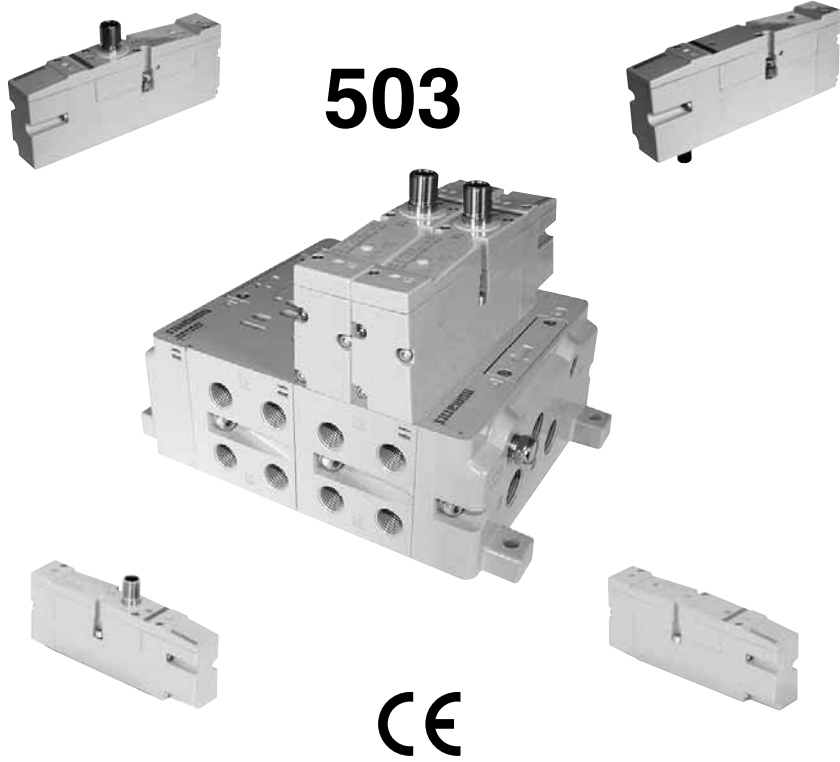


numatics	INSTALLATION AND MAINTENANCE INSTRUCTIONS	EN
	INSTRUCTIONS D'INSTALLATION ET DE MAINTENANCE	FR
	INBETRIEBNAHME - UND WARTUNGSANLEITUNG	DE
	INSTRUCCIONES DE PUESTA EN MARCHA Y MANTENIMIENTO	ES
	ISTRUZIONI DI MESSA IN SERVIZIO E MANUTENZIONE	IT
	ALGEMENE INSTALLATIE- EN ONDERHOUDSINSTRUCTIES	NL
	INSTALLASJONS- OG VEDLIKEHOLDSINSTRUKSER	NO
	INSTALLATIONS- OCH UNDERHÅLLSINSTRUKTIONER	SE
	ASENNUS - JA HUOLTO-OHJEET	FI
	INSTALLATIONS - OG VEDLIGEHOIDSANVISNINGER	DK
	INSTRUÇÕES DE INSTALAÇÃO E MANUTENÇÃO	PT
	ΟΔΗΓΙΕΣ ΤΟΠΟΘΕΤΗΣΗΣ ΚΑΙ ΣΥΝΤΗΡΗΣΗΣ	GR
	POKRYTY PRO INSTALACI A ÚDRŽBU	CZ
INSTRUKCJA MONTAŻU I KONSERWACJI	PL	
TELEPÍTÉSI ÉS KARBANTARTÁSI ÚTMUTATÓ	HU	
Инструкция по установке и обслуживанию	RU	
ОРНАТУ ЖӘНЕ ҚЫЗМЕТ КӨРСЕТУ НҰСҚАУЛАР	KZ	



503

CE

511784-001 / D
Availability, design and specifications are subject to change without notice. All rights reserved.

numatics

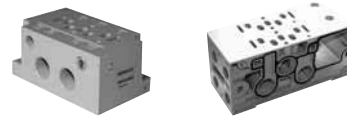
CE

(24 V DC)



ISO 15407-1 26 mm

IP65



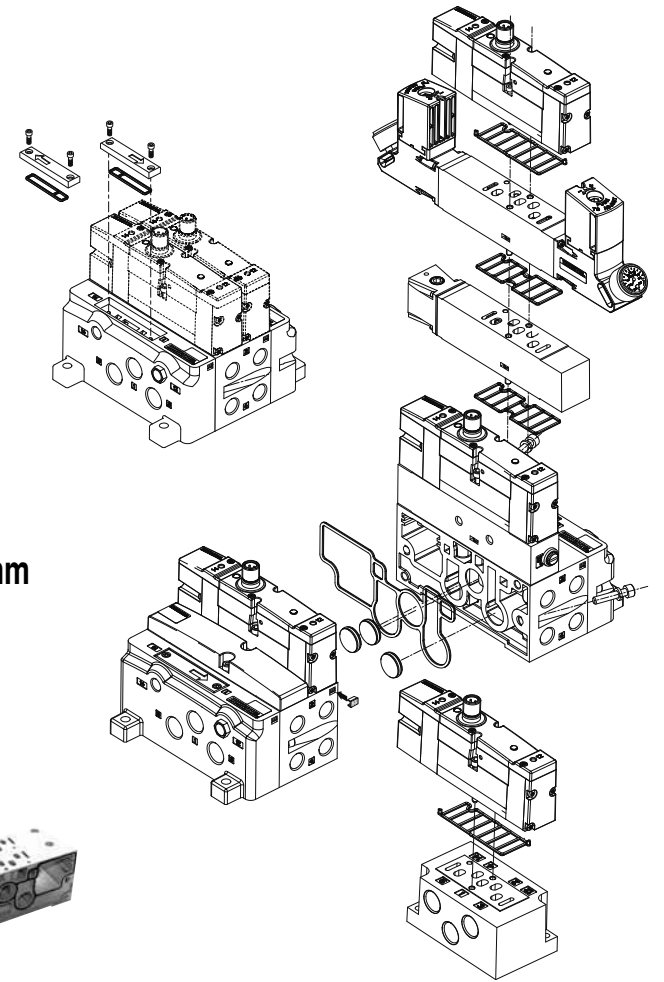
(24 V DC)



ISO 15407-2 26 mm

IP65

(24 V DC)



numatics		rated flow						max. (PS)		
					min.	max.				min.
(14)	(12)	1→2	2→3	(ms)			=			
(Rubber packed)										
2 x 3/2 NC	K		900	800	15 / 20	3,5 (a)	10	8	2	10/8
2 x 3/2 NO	N		900	900	15 / 20	3,5 (a)	10	8	2	10/8
5/2	S		1200	1100	20 / 60	3	10	8	-0,95	10/8
	M		1200	1100	28 / 40	3	10	8	-0,95	10/8
	J		1200	1100	20	2	10	8	-0,95	10/8
5/3	G		1200	1100	15 / 20	3	10	8	-0,95	10/8
	B		1100	600	18 / 45	3	10	8	-0,95	10/8
	E		600	1100	18 / 45	3	10	8	-0,95	10/8
(Spool & Sleeve)										
5/2			1100	1000	20 / 60	2	10	8	-0,95	10/8
			1100	1000	15	2	10	8	-0,95	10/8
5/3			800	800	20 / 60	2	10	8	-0,95	10/8
			800	800	20 / 60	2	10	8	-0,95	10/8

(a) 3,5 bar = (P1) ≤ 7,5 bar (> 7,5 bar, Pmin. = P1 - 4 bar)

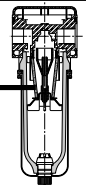
numatics		15-DIGIT PRODUCT CODE			
		with impulse manual operator ISO 15407-1 26 mm	with maintained manual operator ISO 15407-1 26 mm	without manual operator ISO 15407-1 26 mm	
(14)	(12)	(Rubber packed)			
2 x 3/2 NC	K		R503A2BD0N83BF1 (R503A2BD0N82PF1) (b)	R503A2BD0N82MF1 (R503A2BD0N69PF1) (b)	R503A2BD0N82NF1 (R503A2BD0N69NF1) (b)
2 x 3/2 NO	N		R503A2BA0N83BF1	R503A2BA0N82MF1	R503A2BA0N82NF1
5/2	S		R503A2B10N83BF1 (R503A2B10N82PF1) (b)	R503A2B10N82MF1 (R503A2B10N69PF1) (b)	R503A2B10N82NF1 (R503A2B10N69NF1) (b)
	M		R503A2BN0N83BF1	R503A2BN0N82MF1	R503A2BN0N82NF1
	J		R503A2B40N83BF1 (R503A2B40N82PF1) (b)	R503A2B40N82MF1 (R503A2B40N69PF1) (b)	R503A2B40N82NF1 (R503A2B40N69NF1) (b)
5/3	G		R503A2B60N83BF1 (R503A2B60N82PF1) (b)	R503A2B60N82MF1 (R503A2B60N69PF1) (b)	R503A2B60N82NF1 (R503A2B60N69NF1) (b)
	B		R503A2B70N83BF1 (R503A2B70N82PF1) (b)	R503A2B70N82MF1 (R503A2B70N69PF1) (b)	R503A2B70N82NF1 (R503A2B70N69NF1) (b)
	E		R503A2B50N83BF1 (R503A2B50N82PF1) (b)	R503A2B50N82MF1 (R503A2B50N69PF1) (b)	R503A2B50N82NF1 (R503A2B50N69NF1) (b)
(Spool & Sleeve)					
5/2			R503A1B10N83BF1 (R503A1B10N82PF1) (b)	R503A1B10N82MF1 (R503A1B10N69PF1) (b)	R503A1B10N82NF1 (R503A1B10N69NF1) (b)
			R503A1B40N83BF1 (R503A1B40N82PF1) (b)	R503A1B40N82MF1 (R503A1B40N69PF1) (b)	R503A1B40N82NF1 (R503A1B40N69NF1) (b)
5/3			R503A1B70N83BF1 (R503A1B70N82PF1) (b)	R503A1B70N82MF1 (R503A1B70N69PF1) (b)	R503A1B70N82NF1 (R503A1B70N69NF1) (b)
			R503A1B50N83BF1 (R503A1B50N82PF1) (b)	R503A1B50N82MF1 (R503A1B50N69PF1) (b)	R503A1B50N82NF1 (R503A1B50N69NF1) (b)



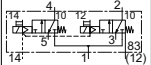
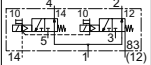
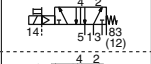
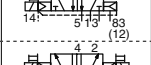
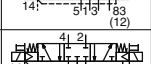
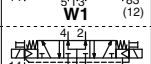
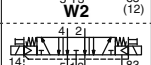

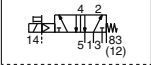

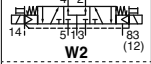
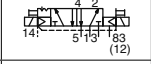
(b) Internal piloting (internal supply).

AIR QUALITY [ISO 8573-1 (2010)]: Level 7.4.4



40 μm ↔ 5 μm

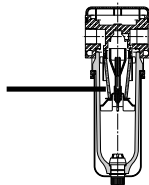




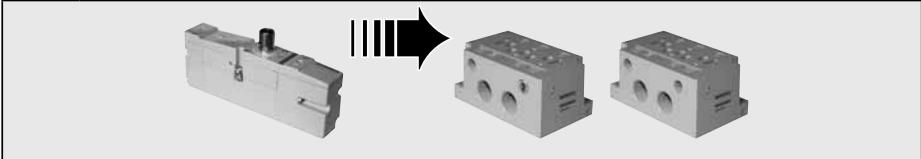
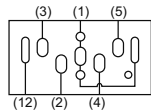
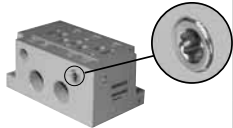
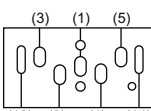
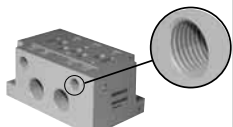
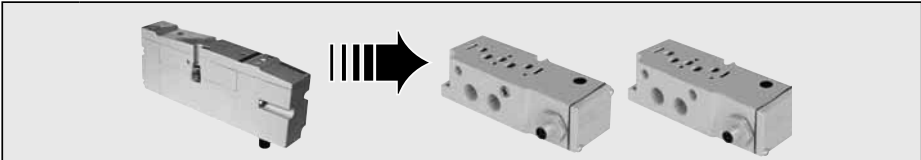
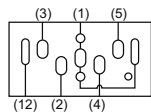
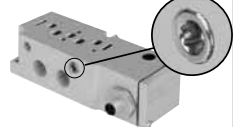
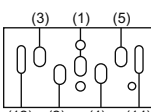
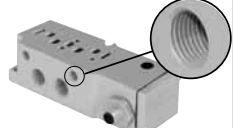
numatics		15-DIGIT PRODUCT CODE 			
		with impulse manual operator ISO 15407-2 26 mm	with maintained manual operator ISO 15407-2 26 mm	without manual operator ISO 15407-2 26 mm	
(14) (12)		(Rubber packed)			
					
2 x 3/2 NC	K		R503A2BD0MA00F1	R503A2BD0M11BF1	R503A2BD0M11MF1
2 x 3/2 NO	N		R503A2BA0MA00F1	R503A2BA0M11BF1	R503A2BA0M11MF1
5/2	S		R503A2B10MA00F1	R503A2B10M11BF1	R503A2B10M11MF1
	M		R503A2BN0MA00F1	R503A2BN0M11BF1	R503A2BN0M11MF1
	J		R503A2B40MA00F1	R503A2B40M11BF1	R503A2B40M11MF1
5/3	G		R503A2B60MA00F1	R503A2B60M11BF1	R503A2B60M11MF1
	B		R503A2B70MA00F1	R503A2B70M11BF1	R503A2B70M11MF1
	E		R503A2B50MA00F1	R503A2B50M11BF1	R503A2B50M11MF1
(Spool & Sleeve)					
5/2			R503A1B10MA00F1	R503A1B10M11BF1	R503A1B10M11MF1
			R503A1B40MA00F1	R503A1B40M11BF1	R503A1B40M11MF1
5/3			R503A1B70MA00F1	R503A1B70M11BF1	R503A1B70M11MF1
			R503A1B50MA00F1	R503A1B50M11BF1	R503A1B50M11MF1

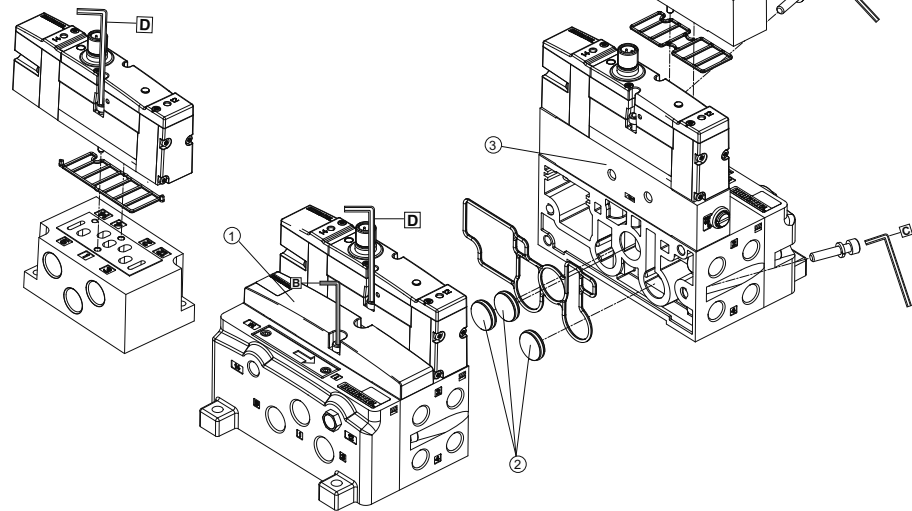
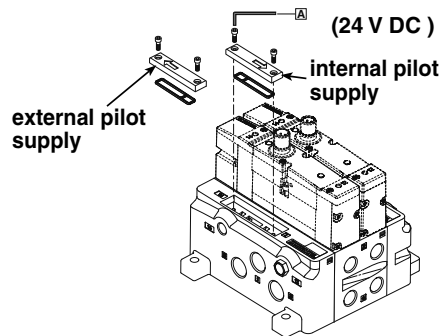
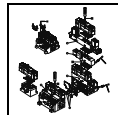
AIR QUALITY [ISO 8573-1 (2010)]: Level 7.4.4



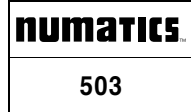
40 µm ↔ 5 µm



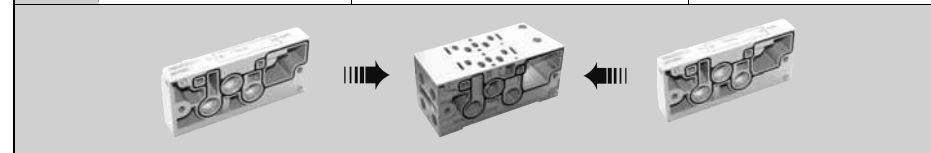
numatics		15-DIGIT PRODUCT CODE 		
503				
				
G503AA3A30A0030			1-2-3-4-5 = 5 x G 3/8 12 = G 1/8 (83)	
US ▶ 8503AA3A30A0030			1-2-3-4-5 = 5 x NPT 3/8 12 = NPT 1/8 (83)	
G503AA3A3014X30			1-2-3-4-5 = 5 x G 3/8 12 = G 1/8 (83) 14 = G 1/8 (12 & 14)	
US ▶ 8503AA3A3014X30			1-2-3-4-5 = 5 x NPT 3/8 12 = NPT 1/8 (83) 14 = NPT 1/8 (12 & 14)	
				
G503AA3A3M56Y20			1-2-3-4-5 = 5 x G 3/8 12 = G 1/8 (83)	
US ▶ 8503AA3A3M56Y20			1-2-3-4-5 = 5 x NPT 3/8 12 = NPT 1/8 (83)	
G503AA3A3M59W20			1-2-3-4-5 = 5 x G 3/8 12 = G 1/8 (83) 14 = G 1/8 (12 & 14)	
US ▶ 8503AA3A3M59W20			1-2-3-4-5 = 5 x NPT 3/8 12 = NPT 1/8 (83) 14 = NPT 1/8 (12 & 14)	



items	N.m	Inch.pounds
A	2,5 ±10%	22 ±2.2
B	2,4 ±10%	21 ±2.1
C	4,0 ±10%	35.4 ±3.5
D	2,9 ±10%	25.5 ±2.5



	G503AMV220A0030	4 x G 1/4		
US ▶	G503AMV220A0030	4 x NPT 1/4	2 x 16)	



	G503AK428304004	3 x G 3/8 (1/3/5) 2 x G 1/8 (12/14)	
US ▶	8503AK428304001	3 x NPT 3/8 (1/3/5) 2 x NPT 1/8 (12/14)	

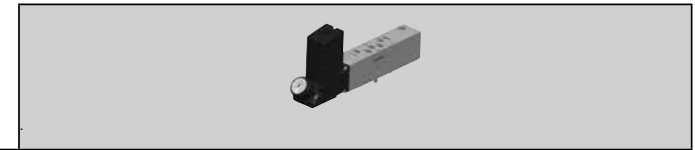
P503AB428359001		
-----------------	--	--

P503AD431191001		+		•	1
P503AD431191002		+		•	3
P503AD431191003		+		•	5
P503AD431191004		+		•	1, 3
P503AD431191005		+		•	1, 5
P503AD431191006		+		•	3, 5
P503AD431191007		+		•	1, 3, 5

ISO 15407-1



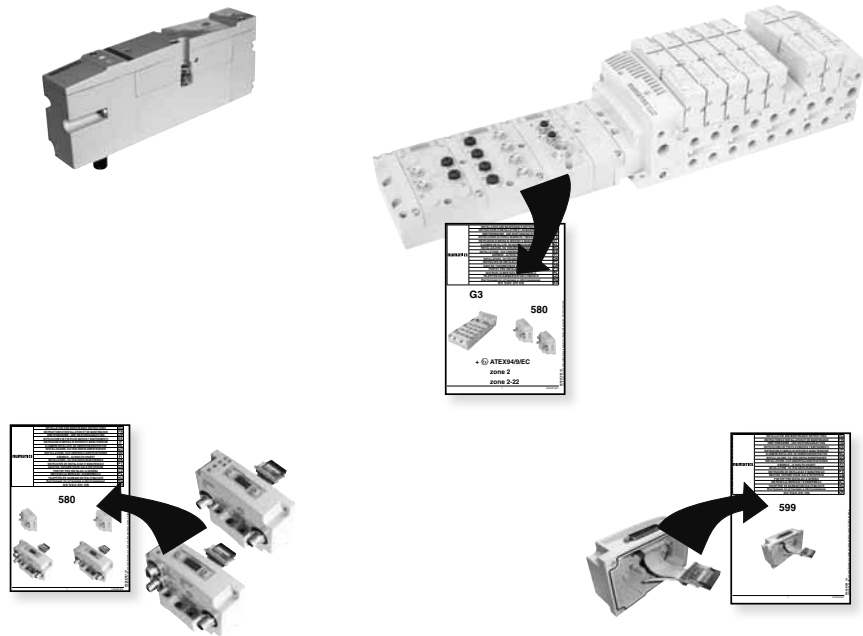
<p>ISO 15407-1 26 mm</p>		<p>R503AY432939001</p>	<p>(12)(3)(2) (1) (4) (5) (14)</p> <p>(12)(3)(2) (1) (4) (5)(14)</p>
	<p>G1/4 NPT 1/4</p>	<p>G503AW432938002</p>	<p>(12)(3)(2) (1) (4) (5) (14)</p> <p>(12)(3)(2) (1) (4) (5) (14)</p>
	<p>US ▶</p>	<p>8503AW432938002</p>	
	<p>G1/4 NPT 1/4</p>	<p>G503AX432938001</p>	<p>(12)(3)(2) (1) (4) (5)(14)</p> <p>(12)(3)(2) (1) (4) (5)(14)</p>
	<p>US ▶</p>	<p>8503AX432938001</p>	
		<p>R503AS432940001</p>	



<p>R503ARS120A0030</p>	<p>RS</p>				
<p>R503ARS120A0030</p>		<p>....RS...A00.</p>			
<p>R503ARS120A0030</p>					
<p>R503ARD12016P30</p>	<p>RD</p>	<p>....RD...16P..</p>	<p>....RD...16N..</p>	<p>....RD...A00..</p>	
<p>R503ARD12016N30</p>					
<p>R503ARD120A0030</p>					
<p>R503ARE12016P00</p>	<p>RE</p>	<p>....RE...16P..</p>	<p>....RE...16N..</p>	<p>....RE...A00..</p>	
<p>R503ARE12016N00</p>					
<p>R503ARE120A0000</p>					
<p>R503ART12016P30</p>	<p>RT</p>	<p>....RT...16P..</p>	<p>....RT...16N..</p>	<p>....RT...A00..</p>	
<p>R503ART12016N30</p>					
<p>R503ART120A0030</p>					

numatics	INSTALLATION AND MAINTENANCE INSTRUCTIONS	EN
	INSTRUCTIONS D'INSTALLATION ET DE MAINTENANCE	FR
	INBETRIEBNAHME - UND WARTUNGSANLEITUNG	DE
	INSTRUCCIONES DE PUESTA EN MARCHA Y MANTENIMIENTO	ES
	ISTRUZIONI DI MESSA IN SERVIZIO E MANUTENZIONE	IT
	ALGEMENE INSTALLATIE- EN ONDERHOUDSINSTRUCTIES	NL
	INSTALLASJONS- OG VEDLIKEHOLDSINSTRUKSER	NO
	INSTALLATIONS- OCH UNDERHÅLLSINSTRUKTIONER	SE
	ASENNUS - JA HUOLTO-OHJEET	FI
	INSTALLATIONS - OG VEDLIGEHOLDSANVISNINGER	DK
	INSTRUÇÕES DE INSTALAÇÃO E MANUTENÇÃO	PT
	ΟΔΗΓΙΕΣ ΤΟΠΟΘΕΤΗΣΗΣ ΚΑΙ ΣΥΝΤΗΡΗΣΗΣ	GR
	POKRYNY PRO INSTALACI A ÚDRŽBU	CZ
INSTRUKCJA MONTAŻU I KONSERWACJI	PL	
TELEPÍTÉSI ÉS KARBANTARTÁSI ÚTMUTATÓ	HU	
Инструкция по установке и обслуживанию	RU	
ОРНАТУ ЖӘНЕ ҚЫЗМЕТ КӨРСЕТУ НҰСҚАУЛАР	KZ	

503



numatics

(24 V DC)

High flow

SGL

8 G503AMS2 2 M VA0010
K 3 H W K

ISO 15407-2 / 26 mm

DBL

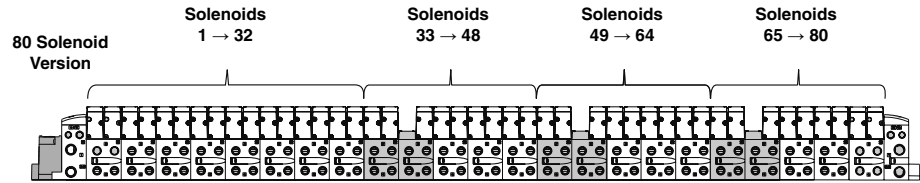
8 G503AMM2 2 M V A0020
K 3 H W K

Accessory
Z-board™
Mid station
supply

33

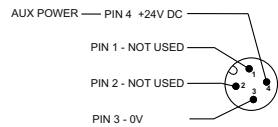


X-16 Driver
→ 80 Solenoids
(24 V DC)

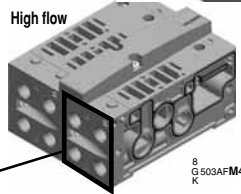


8
G 503AFM4
K
1 TA0010
2 TA0020
F
H
G

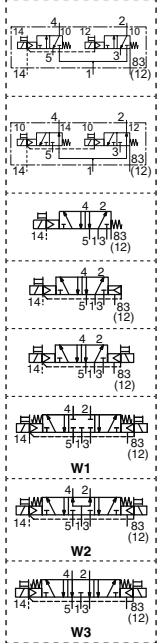
WIRING DIAGRAM



High flow



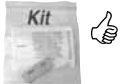

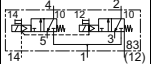
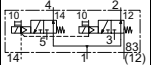
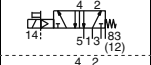
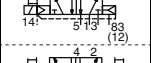
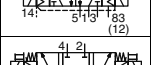
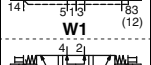
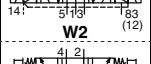
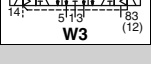


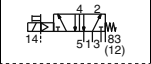
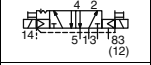

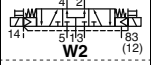
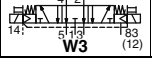
ISO 15407-2
26 mm



DBL

numatics		rated flow	o/c	14 P _p (bar)	1 P (bar)	max. (PS)
(14)	(12)	l/min	(ms)	min.	min.	=
		6,3 bar l/min (ANR)				
		1→2 1→4				
		2→3 4→5				
(Rubber packed)						
2 x 3/2 NC	K	High flow		1000 800	15 / 20	3,5 (a) 8 2 10/8
		ISO		900 800		
2 x 3/2 NO	N	High flow		950 950	15 / 20	3,5 (a) 8 2 10/8
		ISO		900 900		
5/2	S	High flow		1400 1300	20 / 60	2 8 -0,95 10/8
		ISO		1200 1100		
	M	High flow		1400 1300	28 / 40	3 8 -0,95 10/8
		ISO		1200 1100		
	J	High flow		1400 1300	20 / 20	2 8 -0,95 10/8
		ISO		1200 1100		
5/3	G	High flow		1400 1300	15 / 20	4 8 -0,95 10/8
		ISO		1200 1100		
	W1	High flow		1300 600	18 / 45	3 8 -0,95 10/8
		ISO		1100 600		
	B	High flow		600 1300	18 / 45	3 8 -0,95 10/8
		ISO		600 1100		
	E	High flow		1200 1200	20 / 60	2 8 -0,95 10/8
		ISO		1100 1000		
		High flow		1200 1200	15 / 15	2 8 -0,95 10/8
		ISO		1100 1000		
5/3	W2	High flow		1000 1000	20 / 60	2 8 -0,95 10/8
		ISO		800 800		
	W3	High flow		1000 1000	20 / 60	2 8 -0,95 10/8
		ISO		800 800		

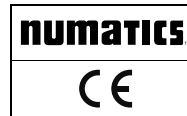
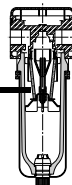
(a) 3,5 bar = (P1) ≤ 7,5 bar (> 7,5 bar, Pmin. = P1 - 4 bar)

numatics		15-DIGIT PRODUCT CODE 			
		with impulse manual operator	with maintained manual operator	without manual operator	
(14) (12)		 (Rubber packed)			
2 x 3/2 NC	K		R503A2BD0MA00F1	R503A2BD0M11BF1	R503A2BD0M11MF1
2 x 3/2 NO	N		R503A2BA0MA00F1	R503A2BA0M11BF1	R503A2BA0M11MF1
5/2	S		R503A2B10MA00F1	R503A2B10M11BF1	R503A2B10M11MF1
	M		R503A2BN0MA00F1	R503A2BN0M11BF1	R503A2BN0M11MF1
	J		R503A2B40MA00F1	R503A2B40M11BF1	R503A2B40M11MF1
5/3	G	 W1	R503A2B60MA00F1	R503A2B60M11BF1	R503A2B60M11MF1
	B	 W2	R503A2B70MA00F1	R503A2B70M11BF1	R503A2B70M11MF1
	E	 W3	R503A2B50MA00F1	R503A2B50M11BF1	R503A2B50M11MF1
		 (Spool & Sleeve)			
5/2			R503A1B10MA00F1	R503A1B10M11BF1	R503A1B10M11MF1
			R503A1B40MA00F1	R503A1B40M11BF1	R503A1B40M11MF1
5/3		 W2	R503A1B70MA00F1	R503A1B70M11BF1	R503A1B70M11MF1
		 W3	R503A1B50MA00F1	R503A1B50M11BF1	R503A1B0M11MF1

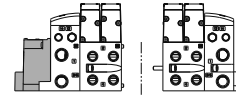
AIR QUALITY [ISO 8573-1 (2010)]: Level 7.4.4



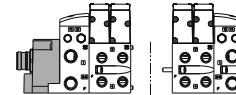
40 μm ↔ 5 μm



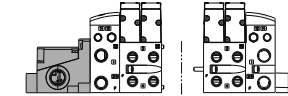
25 Pin Sub-D:
SGL = 22 max. / DBL = 11 max.
37 Pin Sub-D:
SGL = 32 max. / DBL = 16 max.



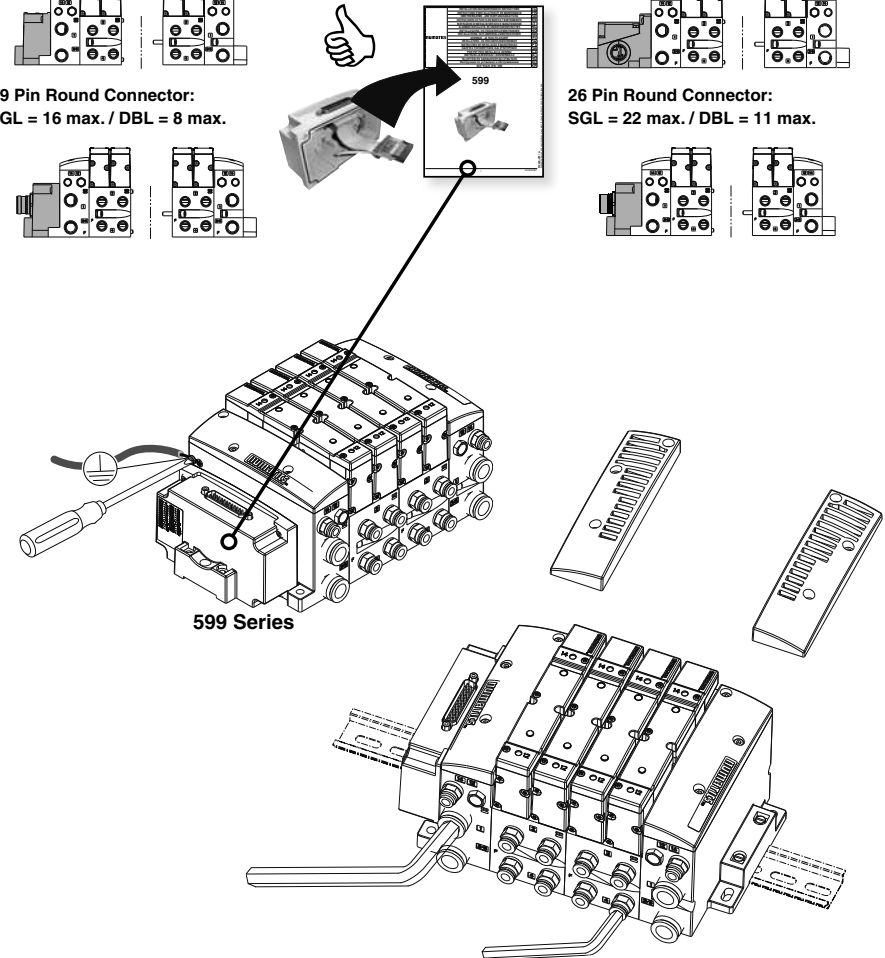
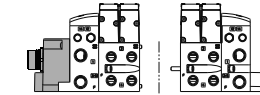
19 Pin Round Connector:
SGL = 16 max. / DBL = 8 max.



1-32 Terminal Strip:
SGL = 32 max. / DBL = 16 max.

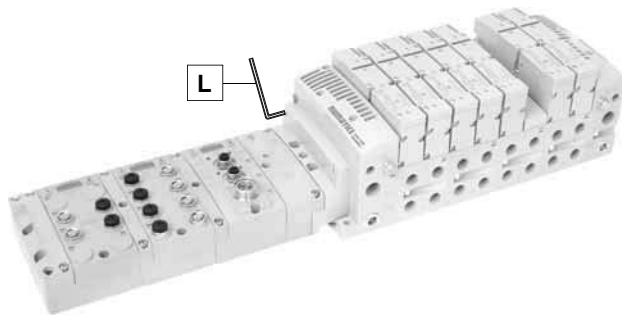
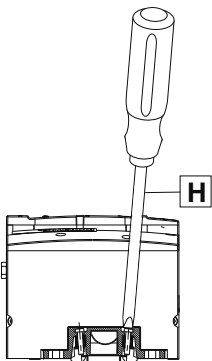
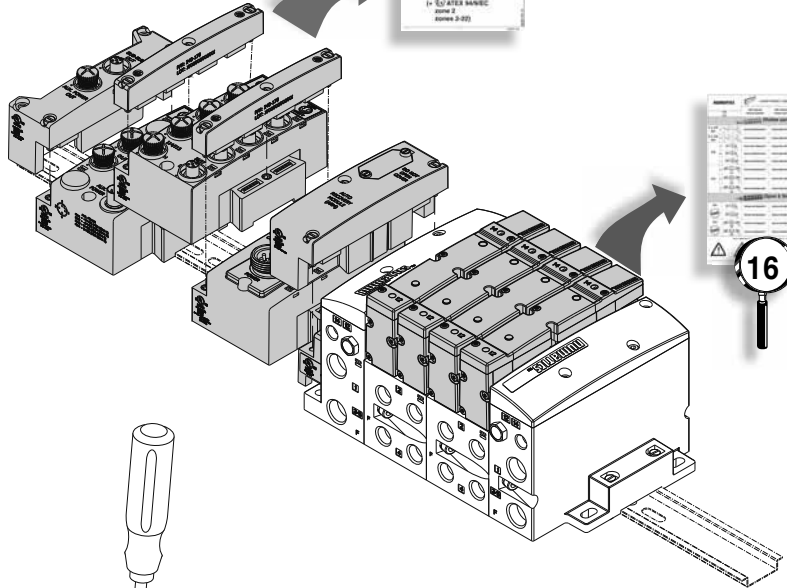


26 Pin Round Connector:
SGL = 22 max. / DBL = 11 max.

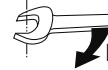
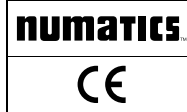




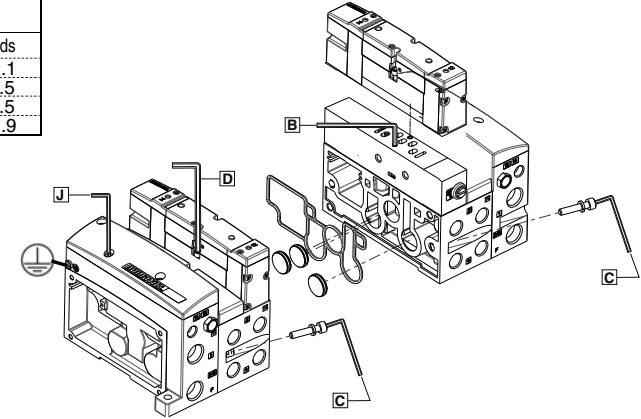
G3 → 503



items	N.m	Inch.pounds
H	2.65	23.4
L	1.5 ±10%	13.5 ± 1.3

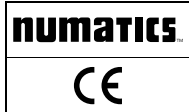


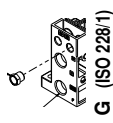
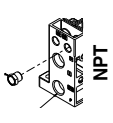
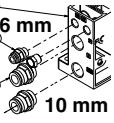
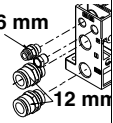








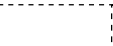



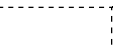


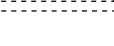

items	N.m	Inch.pounds
B	2.4 ±10%	21.0 ± 2.1
C	4.0 ±10%	35.4 ± 3.5
D	2.9 ±10%	25.5 ± 2.5
J	2.2 ±10%	19.0 ± 1.9

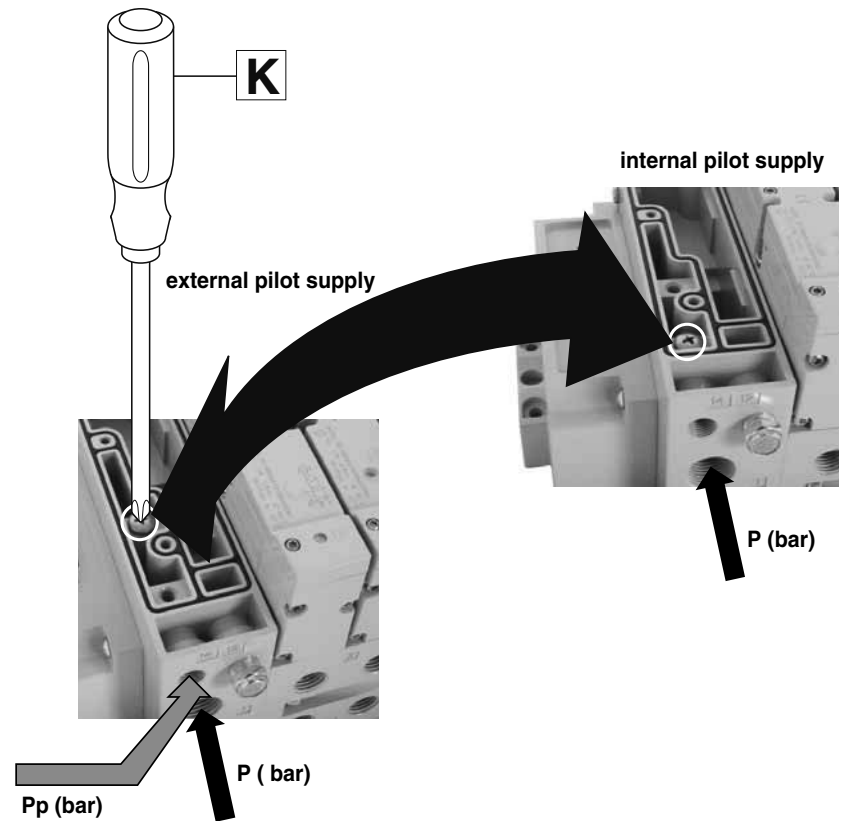
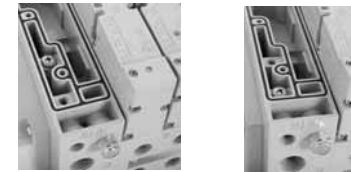


P503AB428359001		
------------------------	--	--

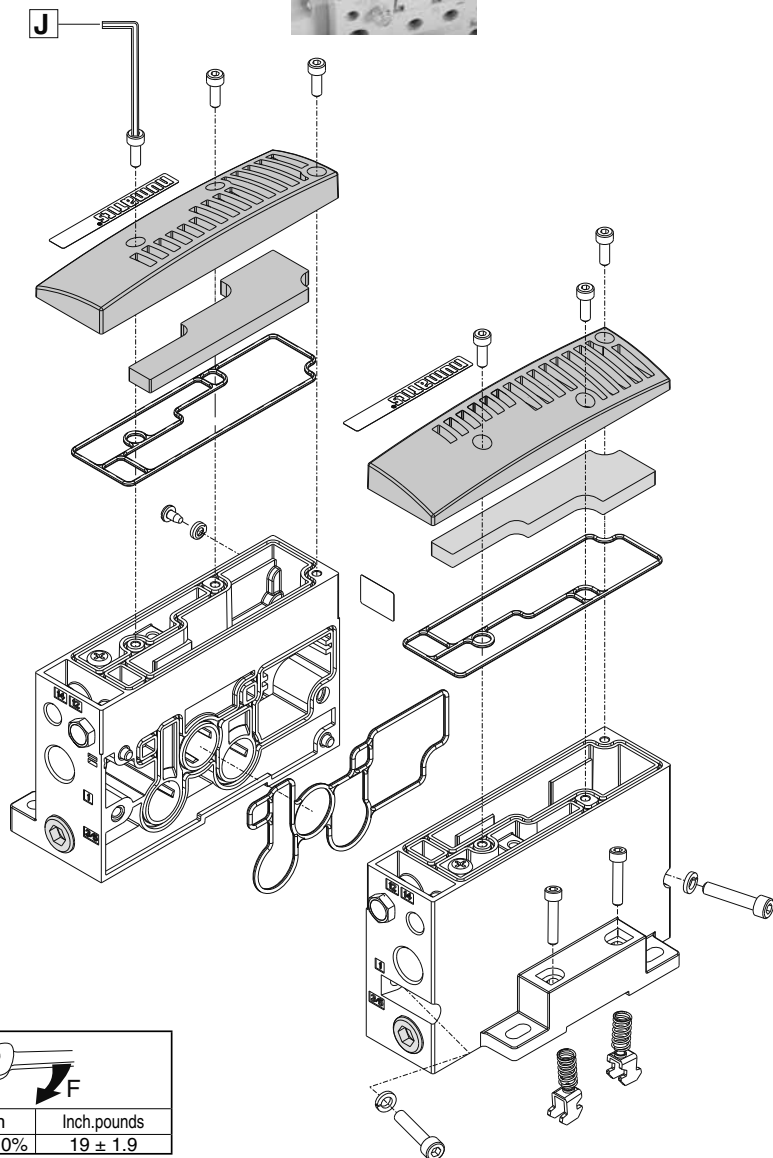
P503AD431191001		+		•	1
P503AD431191002		+		•	3
P503AD431191003		+		•	5
P503AD431191004		+		•	1, 3
P503AD431191005		+		•	1, 5
P503AD431191006		+		•	3, 5
P503AD431191007		+		•	1, 3, 5



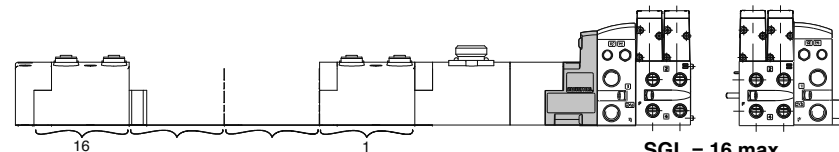
 G (ISO 228/1)	 NPT	 6 mm 10 mm	 6 mm 12 mm	 Kit	
					G503AK428327013
					8503AK428327001
					K503AK428327015
					K503AK428327017
					G503AK428327014
					8503AK428327002
					K503AK428327016
					K503AK428327018
					G503AK428327019
					8503AK428327007
					K503AK428327021
					K503AK428327023
					G503AK428327020
					8503AK428327008
					K503AK428327022
					K503AK428327024



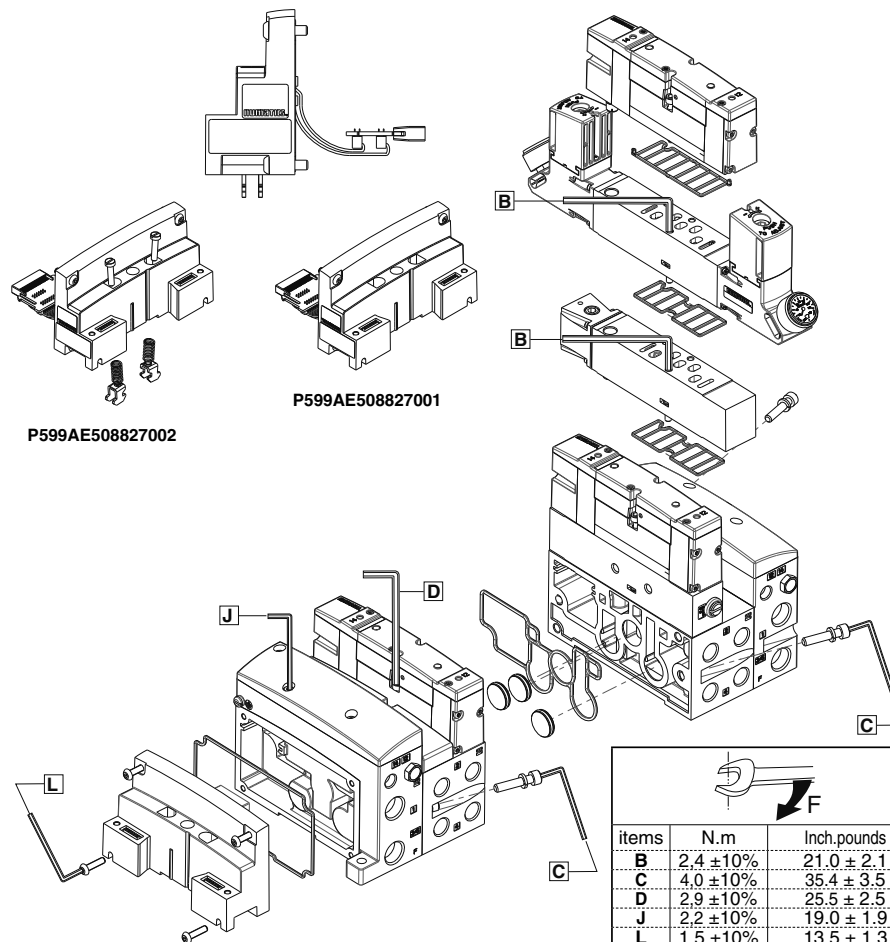
items	N.m	Inch.pounds
K	2,6 ±10%	23 ± 2.3



items	N.m	Inch.pounds
J	2,2 ±10%	19 ± 1.9



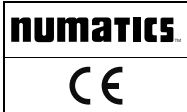
SGL = 16 max.
DBL = 8 max.



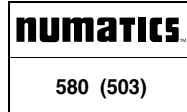
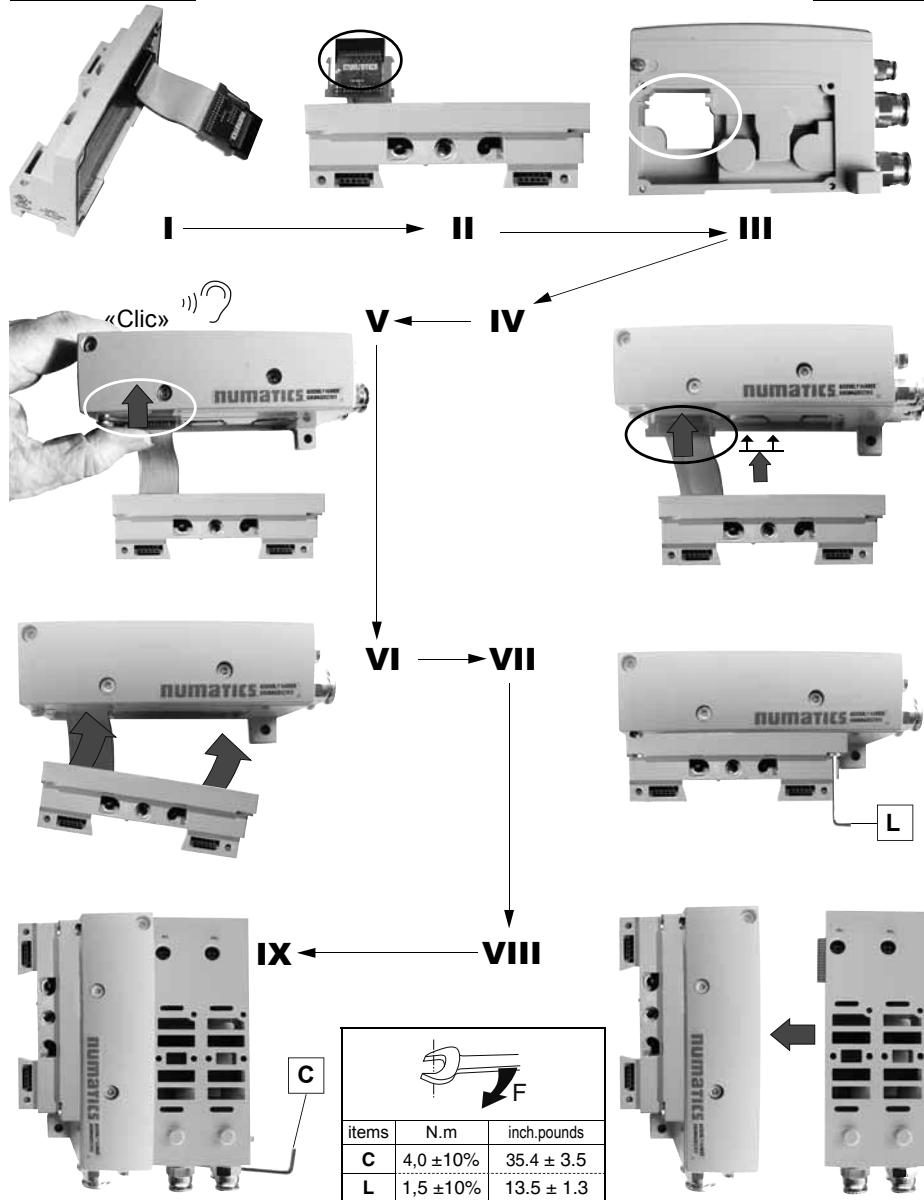
P599AE508827002

P599AE508827001

items	N.m	Inch.pounds
B	2,4 ±10%	21,0 ± 2,1
C	4,0 ±10%	35,4 ± 3,5
D	2,9 ±10%	25,5 ± 2,5
J	2,2 ±10%	19,0 ± 1,9
L	1,5 ±10%	13,5 ± 1,3



G3/503



580




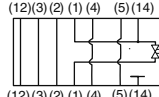

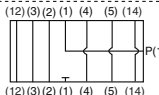

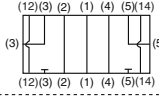

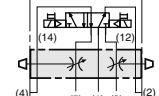

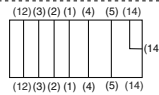




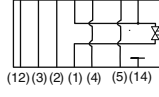

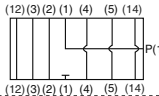



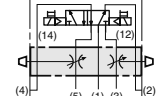

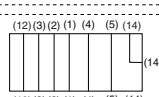
	CANopen®		POWERLINK
	DeviceNet™		Ethernet/IP™
	PROFIBUS-DP®		EtherCAT®
	EtherNET/IP™ DLR		PROFINET®
	SUB-BUS		CHARM
	IO-Link Class A (4 pin)		IO-Link Class B (5 pin)

numatics

503



 <p>High flow</p> 		<p>R503AY426707002</p>	 <p>(12)(3)(2)(1)(4)(5)(14)</p>	
	<p>G1/4 NPT 1/4</p> 	<p>G503AW428300004</p>	<p>US ▶ 8503AW428300004</p>	 <p>(12)(3)(2)(1)(4)(5)(14)</p>
	<p>G1/4 NPT 1/4</p> 	<p>G503AX428300002</p>	<p>US ▶ 8503AX428300002</p>	 <p>(12)(3)(2)(1)(4)(5)(14)</p>
		<p>R503AS425575002</p>		 <p>(12)(3)(2)(1)(4)(5)(14)</p>
		<p>G503AP428300006</p>	<p>US ▶ 8503AP428300006</p>	 <p>(12)(3)(2)(1)(4)(5)(14)</p>

 <p>ISO 15407-2 26 mm</p>		<p>R503AY426707001</p>	 <p>(12)(3)(2)(1)(4)(5)(14)</p>	
	<p>G1/4 NPT 1/4</p> 	<p>G503AW428300003</p>	<p>US ▶ 8503AW428300003</p>	 <p>(12)(3)(2)(1)(4)(5)(14)</p>
	<p>G1/4 NPT 1/4</p> 	<p>G503AX428300001</p>	<p>US ▶ 8503AX428300001</p>	 <p>(12)(3)(2)(1)(4)(5)(14)</p>
		<p>R503AS425575001</p>		 <p>(12)(3)(2)(1)(4)(5)(14)</p>
		<p>G503AP428300005</p>	<p>US ▶ 8503AP428300005</p>	 <p>(12)(3)(2)(1)(4)(5)(14)</p>

numatics





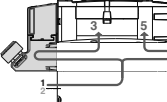
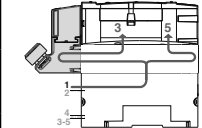
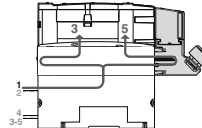
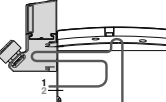
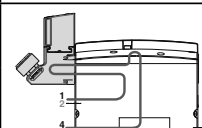
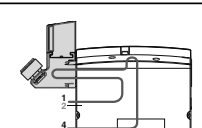
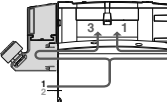
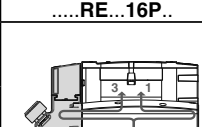
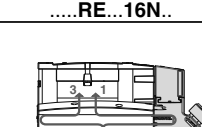
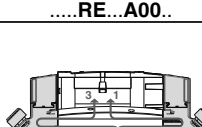
503



High flow



0,7 ... 9 bar

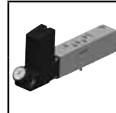
				
<p>R503ARS12JA0010</p>	<p>RS</p>	 <p>...RS...A00.</p>		
				
<p>R503ARD12J16P10</p>	<p>RD</p>			
<p>R503ARD12J16N10</p>		<p>...RD...16P..</p>	<p>...RD...16N..</p>	<p>...RD...A00..</p>
<p>R503ARD12JA0010</p>				
<p>R503ARE12J16P10</p>	<p>RE</p>			
<p>R503ARE12J16N10</p>		<p>...RE...16P..</p>	<p>...RE...16N..</p>	<p>...RE...A00..</p>
<p>R503ARE12JA0010</p>				
<p>R503ART12J16P10</p>	<p>RT</p>			
<p>R503ART12J16N10</p>		<p>...RT...16P..</p>	<p>...RT...16N..</p>	<p>...RT...A00..</p>
<p>R503ART12JA0010</p>				

numatics

503



ISO 15407-2
26 mm



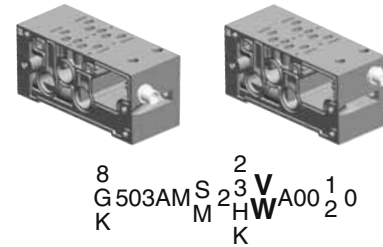
0,7 ... 9 bar

R503ARS12JA0020	RS	<p>...RS...A00.</p>		
R503ARD12J16P20	RD	<p>....RD...16P..</p>	<p>....RD...16N..</p>	<p>....RD...A00..</p>
R503ARD12J16N20				
R503ARD12JA0020				
R503ARE12J16P20	RE	<p>....RE...16P..</p>	<p>....RE...16N..</p>	<p>....RE...A00..</p>
R503ARE12J16N20				
R503ARE12JA0020				
R503ART12J16P20	RT	<p>....RT...16P..</p>	<p>....RT...16N..</p>	<p>....RT...A00..</p>
R503ART12J16N20				
R503ART12JA0020				

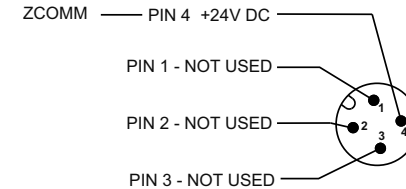
numatics

503

ACCESSORY
ZONED POWER (24 VDC Separation)



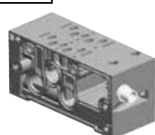
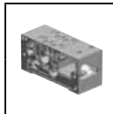
WIRING DIAGRAM



EN	The 0 VDC reference for the +24 VDC applied to Pin 4 of the M12 Connector MUST be the same as the one used on G3 / 580 / Terminal Strip / 25 or 37 Pin Sub-D / 19 or 26 Pin Round Connector. If multiple 24 VDC power supplies are used the 0 VDC references of each power supply MUST be connected together.
FR	La référence 0 VCC pour le +24 VCC appliquée à la broche 4 du connecteur M12 DOIT être la même que celle utilisée avec le G3 / 580 / bornier / connecteur Sub-D 25 ou 37 broches / connecteur rond 19 ou 26 broches. Si des alimentations multiples en 24 VCC sont utilisées les références 0 VCC de chaque alimentation DOIVENT être connectées ensemble.
DE	Die 0-VDC-Referenz für die +24 VDC, die an Pin 4 von Buchse M12 angelegt werden, MÜSSEN mit der übereinstimmen, die an G3 / 580 / Klemmenleiste / 25- oder 37-polige Sub-D- / runde 19- oder 26-polige Buchse verwendet werden. Wenn mehrere 24-VDC-Stromversorgungen verwendet werden, MÜSSEN die 0-VDC-Referenzen aller Stromversorgungen miteinander verbunden werden.
ES	La referencia de 0 V CC para los +24 V CC aplicados a la patilla 4 del conector M12 DEBE ser la misma que la utilizada en el conector redondo de 19 o 26 pines / G3 / 580 / tira de terminales / Sub-D de 25 o 37 pines. Si se utilizan varias fuentes de alimentación de 24 V CC en las referencias de 0 V CC de cada fuente de alimentación, DEBEN conectarse juntas.
IT	Il riferimento 0 V CC per la tensione a +24 V CC, applicata al piedino 4 del connettore M12, DEVE essere lo stesso utilizzato nel caso del G3 / 580 / Morsettera / Sub-D a 25 o 37 piedini / Connettore rotondo a 19 o 26 piedini. Nel caso siano utilizzate alimentazioni multiple a 24 V CC, i riferimenti 0 V CC di ciascuna alimentazione DEVONO essere connessi assieme.
NL	De 0 VDC referentie voor +24 VDC toegepast op pin 4 van de M12-connector MOET identiek zijn aan de referentie die wordt gebruikt op G3 / 580 / Klemmenstrook / 25 of 37 Pin Sub-D / 19 of 26 Pin Round Connector. Indien er meerdere 24 VDC voedingen worden gebruikt MOETEN de 0 VDC referenties van iedere voeding op elkaar zijn aangesloten.
NO	Referansen 0 VDC for +24 VDC brukst på pinne 4 til M12-kontaktene MA være det samme som den som brukes på G3 / 580 / terminalstripen / 25 eller 37 pinners Sub-D / 19 eller 26 pinners rund kontakt. Hvis flere 24 VDC-strømforsyninger brukes MA 0 VDC-referansene til hver strømforsyning kobles sammen.
SE	0 V DC-referens för +24 V DC på stift 4 på M12-kontaktdonet MÅSTE vara samma som den som används på G3/580/anslutningsrad/25- eller 37-stifts sub-D/19- eller 26-stifts runt kontaktdon. Om flera 24 V DC-nätenheter används MÅSTE 0 V DC-referenserna för varje nätenhet kopplas ihop.
FI	M12-liittimen tappiin 4 syötetyn +24 VDC:n 0 VDC-referenssin ON OLTAVA sama, jota käytetään G3 / 580 / liitäntärima / 25:ssä tai 37 tapin Sub-D / 19:ssä tai 26 tapin pyöreässä liittimessä. Jos käytetään useita 24 VDC:n virtalähteitä, kaikkien virtalähteiden 0 VDC-referenssit ON LIITETTÄVÄ yhteen.
DK	0 VDC-referencen for +24 VDC, der anvendes til Ben 4 for M12-stik, SKAL være den samme som den, der anvendes på G3 / 580 / Terminalens bånd / 25 eller 37 bens Sub-D / 19 eller 26 pins rundt stik. Hvis der anvendes flere 24 VDC-strømforsyninger, SKAL 0 VDC-referencerne for hver strømforsyning være tilsluttet sammen.
PT	A referência 0 VCC para a +24 VCC aplicada ao pino 4 do conector M12 TEM de ser igual à utilizada na G3/580/faixa de terminais/sub-D de 25 ou 37 pinos/conector redondo de 19 ou 26 pinos. Se utilizar várias fontes de alimentação de 24 VCC, TEM de ligar em conjunto as referências 0 VCC de cada fonte de alimentação.
GR	Η τάση αναφοράς των 0 VDC για τη +24 VDC που εφαρμόζεται στον Πείρο 4 του Συνδέσμου M12 ΠΡΕΠΕΙ να είναι ο ίδιος με αυτόν που χρησιμοποιείται σε G3 / 580 / Τερματική ταινία / Sub-D 25 ή 37 πτερίων / Στρογγυλό σύνδεσμο 19 ή 26 πτερίων. Εάν χρησιμοποιούνται πολλαπλά τροφοδοτικά 24 VDC με τόσες αναφοράς 0 VDC για κάθε τροφοδοτικό ΠΡΕΠΕΙ να είναι συνδεδεμένα μεταξύ τους.
CZ	Referenční napětí 0 V DC pro napětí +24 V DC na kolíku 4 konektoru M12 MUSÍ být stejné jako napětí použité na přístroji G3 / 580 / svorkovnice / kolík 25 nebo 37 konektoru Sub-D / kolík 19 nebo 26 kulatého konektoru. Jestliže se používá několik napájecích zdrojů 24 V DC, MUSÍ být referenční napětí 0 V DC každého napájení připojeno společně.
PL	Odniesienie 0 VDC dla +24 VDC stosowanego dla Pinu 4 złącza M12 MUSI być takie samo jak te zastosowane na Listwie zaciskowej G3 / 580 / Sub-D 25 lub 37 stykowym / Okragłym złączu 19 lub 26 stykowym. Jeśli zastosowanych jest kilka zasilaczy 24 VDC, wówczas odniesienia 0 VDC każdego zasilacza MUSZA być połączone razem.
HU	Az M12-es csatlakozó 4. tűjére alkalmazott +24 V DC 0 V DC referenciájának azonosnak KELL lennie a G3 / 580 / sorkapcsoló / 25- vagy 37-tűs Sub-D / 19- vagy 26-tűs kerek csatlakozó értékével. Amennyiben több 24 V DC értékű tápforrást használ, csatlakoztatni KELL az összes tápforrás 0 V DC referenciáját.
RU	Отчетное напряжение 0 В пост. тока для +24 В пост. тока, подаваемое на Конт. 4 Разъем M12, ДОЛЖНО быть таким же, как напряжение, используемое на G3 / 580 / Клеммная колодка / Разъем Sub-D Конт. 25 или 37 / Круглый разъем Конт. 19 или 26. При использовании нескольких источников питания 24 В пост. тока выводы отчетного напряжения 0 В пост. тока каждого источника питания ДОЛЖНЫ быть соединены вместе.
KZ	M12 коннекторының 4-істігіне қолданылатын +24 В тұрақты токқа арналған 0 В тұрақты ток үлгісі G3 / 580 / контакт жолағы / 25 немесе 37 істікті Sub-D / 19 немесе 26 істікті дөңгелек коннектор үшін пайдаланылатын ток үлгісімен бірдей болуы ТИІС . 24 В тұрақты токпен қамтамасыз ететін бірнеше қуат блогы пайдаланылса, әр қуат блогының 0 В тұрақты ток үлгілері бірге жалғануы ТИІС .

numatics

503

**ACCESSORY
ZONED POWER (24 VDC Separation)**

8
G 503AM S 2 3 V A00 1
K M H W A00 2 0
K

**EN**

Zoned Power pneumatic islands can be used as part of a safety-related control system (SRP/CS) in compliance with standards ISO 13849 up to Category 3 / PLd if they are used with an appropriate external safety control (examples: surveillance, timing, pulse test, etc.) and in compliance with all associated safety standards. In accordance with ISO 13849, the end-user or third party organisation must assess and certify all of the Control System (CS) including the proven components. Reliability data of the island components can be provided on request. Different types of applications are detailed in our technical manual available on our site.

- In compliance with standard ISO 13849-2 standard and product safety parts must be fed by SELV/PELV power supplies.
- When the product is used in an environment that contains conductive dust, water or any other medium that could trigger internal short circuits, a cabinet or appropriate enclosure must be used.

FR

Les îlots pneumatiques Zoned Power peuvent être utilisés comme partie d'un système de commande relative à la sécurité (SRP/CS) conforme aux normes ISO 13849 jusqu'à la Catégorie 3 / PLd si il sont utilisés avec un contrôle de sécurité extérieur approprié (exemples : surveillance, timing, test d'impulsion, etc.) et en respectant toutes les normes de sécurité associées. Suivant l'ISO 13849, l'utilisateur final ou une organisation tierce doit évaluer et certifier l'ensemble du Système de Contrôle (CS) en incluant les composants éprouvés. Les données de fiabilité des composants de l'îlot peuvent être fournies sur demande. Différents type d'applications sont détaillées dans notre manuel technique disponible sur notre site.

- En accord avec la norme ISO 13849-2 les parties standard et sécurité du produit doivent être alimentées par des alimentations électriques de type TBTS/TBTP.
- Quand le produit est utilisé dans un environnement comportant de la poussière conductrice, de l'eau ou tout autre média pouvant provoquer des court circuits internes, un coffret ou une enveloppe appropriée doit être utilisée.

DE

Pneumatische Zoned-Power-Inseln können als Teil eines sicherheitsrelevanten Kontrollsystems (SRP/CS) gemäß Norm ISO 13849 bis zu Kategorie 3 / PLd eingesetzt werden, wenn sie mit einer entsprechenden externen Sicherheitskontrolle (Beispiele: Überwachung, Timing, Impulstest usw.) und unter Einhaltung aller verbundenen Sicherheitsstandards verwendet werden. Gemäß ISO 13849 muss der Endbenutzer oder eine externe Organisation die Einhaltung des vollständigen Kontrollsystems einschließlich der bewährten Komponenten beurteilen und zertifizieren. Die Zuverlässigkeitsdaten der Inselkomponenten können auf Anfrage bereitgestellt werden. In unserem technischen Handbuch, das auf unserer Website verfügbar ist, sind verschiedene Arten von Anwendungen genauer beschrieben.

- Gemäß Norm ISO 13849-2 müssen Standard- und Produktsicherheitssteile über SELV/PELV-Stromversorgungen verfügen.
- Wenn das Produkt in einer Umgebung verwendet wird, die leitfähigen Staub, Wasser oder andere Medien enthält, die interne Kurzschlüsse auslösen können, muss ein Schrank oder ein geeignetes Gehäuse verwendet werden.

ES

Las islas neumáticas Zoned Power se pueden usar como parte de un sistema de control relacionado con la seguridad (SRP/CS) conforme a las normas ISO 13849 hasta la Categoría 3 / PLd si se utilizan con un control de seguridad externo apropiado (ejemplos: vigilancia, temporización, prueba de pulso, etc.) y conforme a todas las normas de seguridad asociadas. Conforme a ISO 13849, el usuario final o la organización externa debe evaluar y certificar todos los sistemas de control (CS), incluidos los componentes comprobados. Se pueden facilitar los datos de fiabilidad de los componentes de la isla previa petición. En el manual técnico disponible en nuestro sitio se detallan distintos tipos de aplicaciones.

- Conforme a la norma ISO 13849-2, las piezas estándar y de seguridad de producto se deberán alimentar mediante fuentes de alimentación SELV/PELV.
- Cuando el producto se utilice en un entorno que contenga polvo conductor, agua o cualquier otro medio que pudiera provocar cortocircuitos internos, se deberá utilizar un armario o una carcasa adecuada.

IT

Le isole pneumatiche Zoned Power si possono utilizzare come parte di un sistema di comando relativo alla sicurezza (SRP/CS) conforme alle norme ISO 13849 fino alla Categoria 3 / PLd se utilizzate con un comando di sicurezza esterno appropriato (esempi: sorveglianza, timing, test d'impulso, ecc.) e rispettando tutte le norme di sicurezza associate. In conformità con la norma ISO 13849, l'utente finale o un'organizzazione terza deve valutare e certificare l'intero sistema di controllo (CS) inclusi i componenti provati. I dati di affidabilità dei componenti dell'isola possono essere comunicati su richiesta. I diversi tipi di applicazioni vengono spiegate nei dettagli nel nostro manuale tecnico disponibile sul nostro sito.

- In conformità con la norma ISO 13849-2, le parti standard e di sicurezza del prodotto devono essere attivate da alimentazioni elettriche SELV/PELV.
- Se il prodotto viene utilizzato in ambienti che contengono polveri conduttive, acqua o altri elementi che possano provocare dei cortocircuiti interni, si dovrà utilizzare un armadietto o un involucro adatto.

NL

Zoned Power pneumatische eilandten kunnen worden gebruikt als veiligheidsgerelateerd regelsysteem (SRP/CS) in overeenstemming met normen ISO 13849 tot en met Categorie 3 / PLd indien gebruikt met een geschikte externe veiligheidsregeling (voorbeelden: bewaking, timing, pulstest, etc.) en in overeenstemming met alle verbonden veiligheidsnormen. Volgens ISO 13849 moet de eindgebruiker of derde organisatie alle regelsystemen (CS) beoordelen en certificeren, inclusief de beproefde componenten. Gegevens omtrent betrouwbaarheid van de eilandcomponenten worden op verzoek verstrekt. Verschillende soorten applicaties worden in detail beschreven in de technische handleiding op onze site.

- In overeenstemming met de norm ISO 13849-2, moeten standaard onderdelen en onderdelen voor productveiligheid middels SELV/PELV voedingen van stroom worden voorzien.
- Als het product wordt gebruikt in een omgeving waar geleidend stof, water of andere geleidende media aanwezig kunnen zijn die interne kortsluitingen kunnen veroorzaken, moet er een kast of geschikte behuizing worden gebruikt.

NO

Pneumatiske øyer delt inn i strømsoner kan brukes som del av et sikkerhetsrelatert kontrollsystem (SRP/CS) i samsvar med standardene ISO 13849 opp til kategori 3/PLd dersom de bruker en egnet og ekstern sikkerhetskontroll (eksempler: overvåking, timing, pulstest, etc.) og i samsvar med alle tilknyttede sikkerhetsstandarder. I samsvar med ISO 13849, må sluttbrukeren eller tredjepartsorganisasjonen ha tilgang til og godkjenne hele kontrollsystemet (CS), inkludert de godkjente komponentene. Pålitelighetsdata for øy-komponenter leveres etter anmodning. Forskjellige typer bruksområder er beskrevet i vår tekniske håndbok som er tilgjengelig på vårt nettsted.

- I samsvar med standard ISO 13849-2 standard og deler for produktsikkerhet må forsynes av SELV/PELV strømforsyninger.
- Når produktet skal brukes i et miljø som inneholder ledende støv, vann eller något annet medium som kan utløse interne kortslutninger, skal et skap eller annen egnet innkapsling brukes.

SE

De pneumatiska Zoned Power-öarna kan användas som en del av ett säkerhetsrelaterat styrsystem (SRP/CS) i överensstämmelse med standarderna ISO 13849 upp till kategori 3/PLd om de används tillsammans med en lämplig extern säkerhetskontroll (exempel: övervakning, timing, pulstest osv.) och uppfyller alla tillhörande säkerhetsstandarder. I syfte att uppfylla ISO 13849 måste slutanvändaren eller tredjepartsorganisationen analysera och certifiera hela styrsystemet (CS), inklusive de dokumenterade komponenterna. Tillförlitlighetsdata för öarna komponenter kan fås på begäran. Olika tillämpningstyper beskrivs i vår tekniska handbok som finns på vår webbplats.

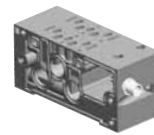
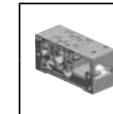
- I syfte att uppfylla standarden ISO 13849-2 måste standardkomponenter och komponenter för produktsäkerhet matas av SELV/PELV-nätet.
- Om produkten används i en miljö som innehåller ledande damm, vatten eller något annat medium som kan utlösa interna kortslutningar, måste ett skap eller en lämplig kåpa användas.

30

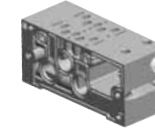
511784-001

numatics

503

**ACCESSORY
ZONED POWER (24 VDC Separation)**

8
G 503AM S 2 3 V A00 1
K M H W A00 2 0
K

**FI**

Zoned Power -pneumaattisia saarekkeitä voidaan käyttää osana turvallisuuteen liittyvää ohjausjärjestelmää (SRP/CS) ISO 13849 -standardien mukaisesti kategoriaan 3 / PLd saakka, jos niitä käytetään yhdessä asianmukaisen ulkoisen turvallisuusjärjestelmän kanssa (esimerkkejä: seuranta, ajoitus, pulsisti jne.) ja kaikkien sovellettavien turvallisuusstandardien mukaisesti. ISO 13849 -standardin mukaisesti lopputäyttäjän tai ulkopuolisen organisaation on arvioitava ja sertifioitava koko ohjausjärjestelmä (CS), hyviksi todettuihin komponentit mukaan lukien. Pyydettyäessä voimme toimittaa pneumaattisten saarekkeiden luotettavuustiedot. Erilaisia käyttötarvikkeita kuvataan tarkemmin toimipisteessämme saatavilla olevassa teknisessä käsikirjassamme.

- ISO 13849-2 -standardin ja tuoteturvallisuusmääräysten mukaan sähkö osiin on syytä käyttää SELV/PELV-virtalähteistä.
- Jos tuotetta käytetään ympäristössä, jossa esiintyy sähköä johtavaa pölyä, vettä tai muita aineita, jotka voisivat aiheuttaa sisäisiä oikosuikkuja, on käytettävä kaappia tai asianmukaista koteloita.

DK

Pneumatiske Zoned Power-grupper kan anvendes som del af et SRP/CS-system (Safety Related Product of a Control System) overensstemmende med ISO 13849-sikkerhedsstandarderne op til kategori 3/PLd, hvis de anvendes med en passende ekstern sikkerhedskontrol (f.eks. overvågning, timing, impulstest etc.) og i overensstemmelse med alle relevante sikkerhedsstandarder. I overensstemmelse med ISO 13849 skal slutbrugeren eller tredjepartsorganisationen vurdere og certificere alle CS'er (kontrolsystemer) inklusive de dokumenterede komponenter. Pålidelige data for gruppens komponenter kan oplyses på anmodning. De forskellige typer anvendelse er beskrevet i vores tekniske manual, der er tilgængelig på vores hjemmeside.

- I overensstemmelse med ISO-standard ISO 13849-2 skal standarddele og produktsikkerhedsdele strømforsynes via SELV/PELV-strømforsyninger.
- Hvis produktet anvendes i et miljø med ledende støv, vand eller andre medier, der kan forårsage uønskede kortslutninger, skal der anvendes et kabinet eller en egnet indkapsling.

PT

Pode utilizar as ilhas pneumáticas de Potência Dividida em Zonas como parte de um sistema de controlo relacionado com a segurança (SRP/CS) em conformidade com as normas ISO 13849 até à Categoria 3 / PLd se forem utilizadas com um controlo de segurança externo adequado (exemplos: vigilância, temporização, teste de impulsos, etc.) e em conformidade com todas as normas de segurança associadas. De acordo com a norma ISO 13849, o utilizador final ou terceiro deve avaliar e certificar o Sistema de Controlo completo (CS), incluindo todos os componentes comprovados. Os dados de fiabilidade dos componentes das ilhas podem ser fornecidos a pedido. Diferentes tipos de aplicação são detalhados no nosso manual técnico disponível no nosso sítio Web.

- Em conformidade com a norma ISO 13849-2, as peças de segurança dos produtos e padrão têm de ser alimentadas por fontes de alimentação SELV/PELV.
- Quando utilizar o produto num ambiente com poeira condutora, água ou outros meios que possam originar curtos-circuitos internos, deve utilizar uma caixa ou um armário apropriado.

GR

Οι pneυματικές μονάδες Zoned Power μπορούν να χρησιμοποιηθούν ως Σύστημα Ελέγχου για θέματα Ασφαλείας (SRP/CS) σε συμμόρφωση με τα πρότυπα του ISO 13849 έως την Κατηγορία 3 / PLd εφόσον χρησιμοποιούνται μαζί με κατάλληλο έλεγχο εξωτερικής ασφαλείας (παραδείγματα: παρακολούθηση, χρονόμετρηση, δοκιμή παλμών, κλπ.) και σε συμμόρφωση με όλα τα συναφή πρότυπα ασφαλείας. Σε συμμόρφωση με το ISO 13849, ο τελικός χρήστης ή ο ανεξάρτητος οργανισμός υποχρεούται να προβεί σε αξιολόγηση και πιστοποίηση του συνόλου του Συστήματος Ελέγχου (CS) καθώς επίσης και των αποδεδειγμένων εξαρτημάτων. Τα δεδομένα αξιοπιστίας των εξαρτημάτων των μονάδων διατίθενται, αν ζητηθούν. Στο τεχνικό έγγραφο που διατίθεται στην ιστοσελίδα μας παρουσιάζονται αναλυτικά διάφοροι τύποι εφαρμογών.

- Σε συμμόρφωση με το πρότυπο ISO 13849-2 τα κοινά εξαρτήματα και τα εξαρτήματα ασφαλείας προϊόντος πρέπει να συνδέονται με προροδοτικά SELV/PELV.
- Όταν το προϊόν χρησιμοποιείται σε περιβάλλον που περιέχει αγώγιμη σκόνη, νερό ή άλλο μέσο που ενδοχόμενως να πυροδοτήσει εσωτερικά βραχυκυκλώματα, είναι υποχρεωτική η χρήση ερμηρίου ή κατάλληλου κελύφους.

CZ

Pneumatické ostrovy Zoned Power mohou být použity jako součást řídicího systému souvisejícího s bezpečností (SRP/CS) v souladu s normami ISO 13849 do kategorie 3/PLd, pokud jsou používány s příslušnou vnější kontrolou bezpečnosti (příklady: sledování, načasování, impulsní součka atd.) a v souladu se všemi souvisejícími bezpečnostními normami. V souladu s normou ISO 13849 musí organizace koncového uživatele nebo třetí strany posoudit a certifikovat všechny řídicí systémy (CS) včetně osvědčených součástí. Údaje o spolehlivosti součástí ostrova poskytujeme na vyžádání. V našem technickém manuálu, který je k dispozici na našich stránkách, jsou podrobně popsány různé typy aplikací.

- V souladu s normou ISO 13849-2 a bezpečnosti výrobku musejí být části napájené napájecími zdroji SELV/PELV.
- Pokud je výrobek používán v prostředí, které obsahuje vodivý prach, vodu nebo jiné médium, které by mohlo vyvolat vnitřní zkrat, musí být použita skříň nebo příslušný kryt.

PL

Wyspy pneumatyczne mocy strefowej można stosować jako część systemu sterowania związanego z bezpieczeństwem (SRP/CS) zgodnie z normami ISO 13849 do kategorii 3 / PLd, jeśli zostaną zastosowane z odpowiednim zewnętrznym sterowaniem bezpieczeństwa (na przykład: nadzór, synchronizacja, test impulsu itp.) oraz zgodnie ze wszystkimi powiązanyimi normami bezpieczeństwa. Zgodnie z normą ISO 13849 użytkownik końcowy lub strona trzecia muszą poddać ocenie i zalegalizowaniu wszystkie elementy systemu sterowania (CS), włączając zatwierdzone komponenty. Dane dotyczące niezawodności naszych podzespołów wyspy można uzyskać na zamówienie. Różnego rodzaju zastosowania zostały szczegółowo opisane w instrukcji technicznej dostępnej na naszej stronie internetowej.

- Zgodnie z normą ISO 13849-2 komponenty standardowe i bezpieczeństwa produktu muszą być zasilane przez zasilacze SELV/PELV.
- W przypadku zastosowania produktu w środowisku zawierającym pył przewodzący, wodę lub inne media mogące spowodować wewnętrzne zwarcie elektryczne należy zastosować szafę sterowniczą lub odpowiednią obudowę.

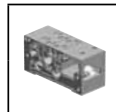
31

511784-001

numatics

503

ACCESSORY ZONED POWER (24 VDC Separation)



8
G 503AM S 2 3 V A00 1 0
K M H W 2 K



HU

A Zoned Power pneumatikus szigetek biztonsággal kapcsolatos ellenőrzési rendszerek (SRP/CS) részeként használhatók, az ISO 13849 szabvány betartása mellett a 3. kategóriás/PLd rendszer, amennyiben a megfelelő külső biztonsági ellenőrzéssel (például: megfigyelés, időzítés, impulzus teszt, stb.), valamint az összes kapcsolódó biztonsági szabvány betartásával használják őket. Az ISO 13849 értelmében, a végfelhasználónak, illetve a harmadik fél szervezetnek minden vezérlőrendszer (CS) fel kell mérnie, és igazolnia kell, beleértve a bevált alkatrészeket. A pneumatikus sziget alkatrészek megbízhatósági adatai kérésre megadhatók. A weboldalunkon elérhető műszaki kézikönyvünkben megtalálható a különböző típusú alkalmazások részletes leírása.

- Az ISO 13849-2 szabvány értelmében a termék biztonsági alkatrészeit SELV/PELV tápfeszültségről kell ellátni.
- Ha a terméket vezetéképes port, vezeték nélküli, belső rövidzárlatot okozó közvetítő anyagot tartalmazó környezetben használják, akkor szekrényt vagy megfelelő burkolatot kell alkalmazni.

RU

В качестве элемента системы контроля, связанной с безопасностью (SRP/CS), можно использовать пневмоострова с зонированным питанием согласно стандартам ISO 13849 вплоть до категории 3/PLd, если это сочетается с соответствующими внешними мерами по контролю безопасности (напр. наблюдение, тактирование, импульсный контроль и т. д.) и с соблюдением всех связанных с ними стандартов безопасности. Согласно ISO 13849 конечный пользователь или сторонняя организация обязаны провести оценку и сертификацию системы контроля в целом, включая проверенные компоненты. Данные по надежности компонентов острова предоставляются по требованию. Различные виды применения перечислены в техническом руководстве на нашем сайте.

- Согласно стандарту ISO 13849-2 и требованиям к безопасности, на элементы следует подавать электропитание БСНН/ЗСНН.
- При эксплуатации в среде, содержащей проводящую пыль, воду или иное вещество, способное вызвать внутреннее короткое замыкание, следует воспользоваться шкафом или соответствующим кожухом.

KZ

Қуатты қамтамасыз ететін, аймақтарға бөлінген пневматикалық блоктар қауіпсіздікті қамтамасыз етуге арналған тиісті элементтермен (мысалы, бақылау, уақытты белгілеу, импульс сынағы, т.б.) бірге пайдаланылса және барлық байланысты қауіпсіздік стандарттарына сәйкес пайдаланылса, оларды ISO 13849 стандартына сәйкес 3-санат/PLd деңгейіне дейінгі қауіпсіздікке қатысты басқару жүйесінің (SRP/CS) бір бөлігі ретінде пайдалануға болады. ISO 13849 стандартына сәйкес, тұтынушы немесе үшінші тарап ұйымы тексерілген құрамдастарды қоса, басқару жүйесінің (БЖ) жұмысын түгел бағалап, куәландыру қажет. Блок құрамдастарының сенімділігі туралы деректер сұрау бойынша беріледі. Қолдану түрлері біздің веб-сайтта қолжетімді техникалық нұсқаулықта толық сипатталған.

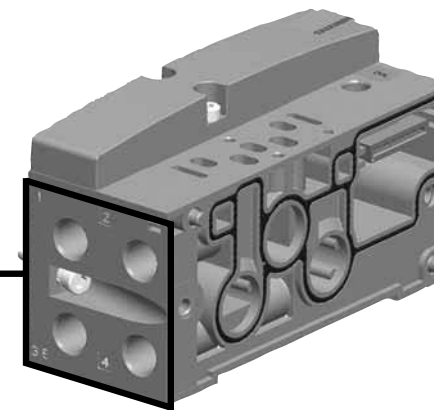
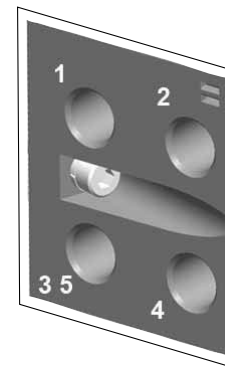
- ISO 13849-2 стандарты бойынша өнім қауіпсіздігінің белшекетері SELV/PELV қуат блогынан қуатпен қамтамасыз етілуі тиіс.
- Өнім электр өткізгіш шаң, су немесе қысқа тұйықталуға себеп болатын қандай да бір зат бар ортада пайдаланылса, шкаф немесе тиісті жабық жерді пайдалану керек.

numatics

CE

ACCESSORY MID STATION SUPPLY AND EXHAUST 503 double Z-board, 15407-2 double Z-board and 15407-1 no Zboard

503



8
G 503AZ M 22 M A00 2 1
K V 0 3

