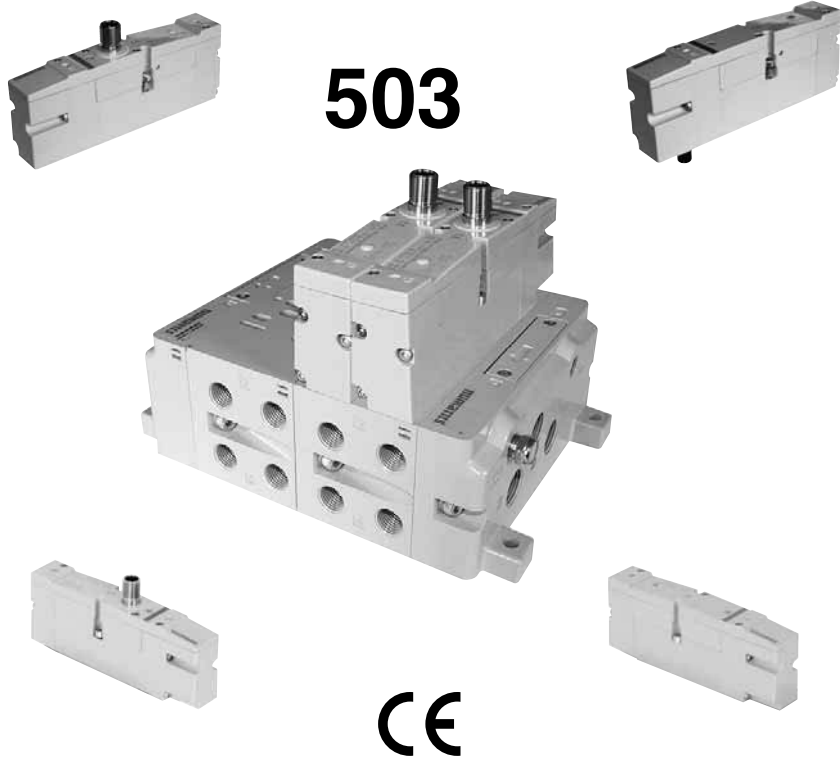


| | | |
|--|---|----|
| numatics | INSTALLATION AND MAINTENANCE INSTRUCTIONS | EN |
| | INSTRUCTIONS D'INSTALLATION ET DE MAINTENANCE | FR |
| | INBETRIEBNAHME - UND WARTUNGSANLEITUNG | DE |
| | INSTRUCCIONES DE PUESTA EN MARCHA Y MANTENIMIENTO | ES |
| | ISTRUZIONI DI MESSA IN SERVIZIO E MANUTENZIONE | IT |
| | ALGEMENE INSTALLATIE- EN ONDERHOUDSINSTRUCTIES | NL |
| | INSTALLASJONS- OG VEDLIKEHOLDSINSTRUKSER | NO |
| | INSTALLATIONS- OCH UNDERHÅLLSINSTRUKTIONER | SE |
| | ASENNUS - JA HUOLTO-OHJEET | FI |
| | INSTALLATIONS - OG VEDLIGEHOIDSANVISNINGER | DK |
| | INSTRUÇÕES DE INSTALAÇÃO E MANUTENÇÃO | PT |
| | ΟΔΗΓΙΕΣ ΤΟΠΟΘΕΤΗΣΗΣ ΚΑΙ ΣΥΝΤΗΡΗΣΗΣ | GR |
| | POKYNY PRO INSTALACI A ÚDRŽBU | CZ |
| INSTRUKCJA MONTAŻU I KONSERWACJI | PL | |
| TELEPÍTÉSI ÉS KARBANTARTÁSI ÚTMUTATÓ | HU | |
| Инструкция по установке и обслуживанию | RU | |
| ОРНАТУ ЖӘНЕ ҚЫЗМЕТ КӨРСЕТУ НҰСҚАУЛАР | KZ | |



503

CE

511784-001 / D Availability, design and specifications are subject to change without notice. All rights reserved.

numatics

CE

(24 V DC)



ISO 15407-1 26 mm

IP65



(24 V DC)

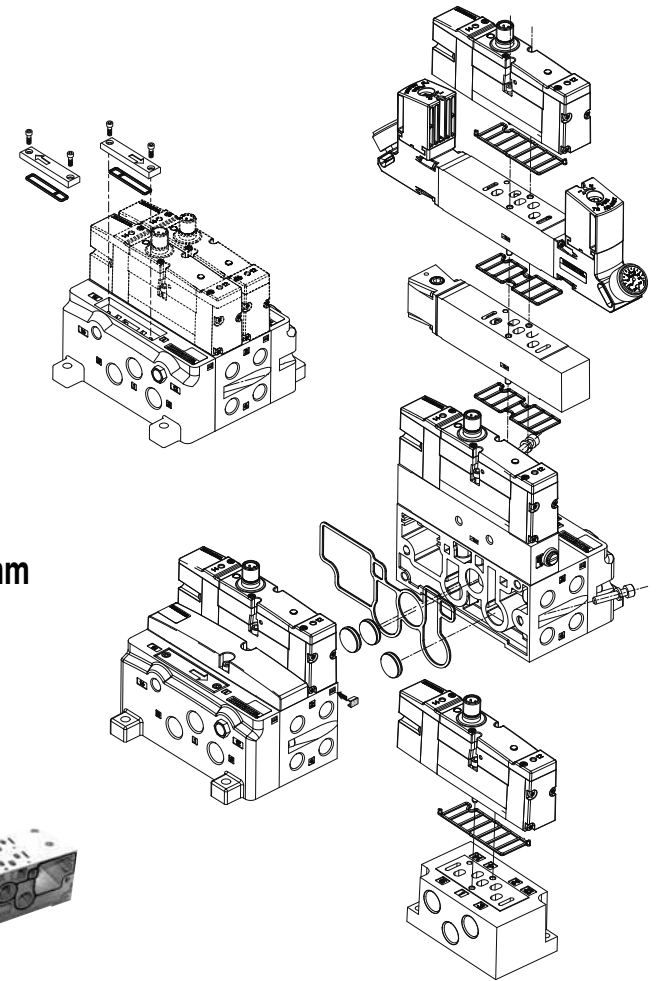


ISO 15407-2 26 mm

(24 V DC)



IP65



| numatics | | rated flow | | | | | | max. (PS) | |
|------------------|---|-------------|------|-------|---------|---------|----|-----------|------------|
| | | | | | min. | max. | | | |
| | | 6,3 bar | | o / c | | | | | |
| | | l/min (ANR) | | | (ms) | | | | = |
| (14) | | 1→2 | 2→3 | (ms) | | | | | |
| (12) | | 1→4 | 4→5 | | | | | | |
| (Rubber packed) | | | | | | | | | |
| 2 x 3/2 NC | K | | 900 | 800 | 15 / 20 | 3,5 (a) | 10 | 8 | 2 10/8 |
| 2 x 3/2 NO | N | | 900 | 900 | 15 / 20 | 3,5 (a) | 10 | 8 | 2 10/8 |
| 5/2 | S | | 1200 | 1100 | 20 / 60 | 3 | 10 | 8 | -0,95 10/8 |
| | M | | 1200 | 1100 | 28 / 40 | 3 | 10 | 8 | -0,95 10/8 |
| | J | | 1200 | 1100 | 20 | 2 | 10 | 8 | -0,95 10/8 |
| 5/3 | G | | 1200 | 1100 | 15 / 20 | 3 | 10 | 8 | -0,95 10/8 |
| | B | | 1100 | 600 | 18 / 45 | 3 | 10 | 8 | -0,95 10/8 |
| | E | | 600 | 1100 | 18 / 45 | 3 | 10 | 8 | -0,95 10/8 |
| (Spool & Sleeve) | | | | | | | | | |
| 5/2 | | | 1100 | 1000 | 20 / 60 | 2 | 10 | 8 | -0,95 10/8 |
| | | | 1100 | 1000 | 15 | 2 | 10 | 8 | -0,95 10/8 |
| 5/3 | | | 800 | 800 | 20 / 60 | 2 | 10 | 8 | -0,95 10/8 |
| | | | 800 | 800 | 20 / 60 | 2 | 10 | 8 | -0,95 10/8 |
| | | | 800 | 800 | 20 / 60 | 2 | 10 | 8 | -0,95 10/8 |

(a) 3,5 bar = (P1) ≤ 7,5 bar (> 7,5 bar, Pmin. = P1 - 4 bar)

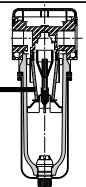
| numatics | | 15-DIGIT PRODUCT CODE | | | |
|------------------|---|------------------------------|---------------------------------------|---------------------------------------|---------------------------------------|
| | | with impulse manual operator | with maintained manual operator | without manual operator | |
| | | ISO 15407-1 26 mm | ISO 15407-1 26 mm | ISO 15407-1 26 mm | |
| (14) | | (Rubber packed) | | | |
| (12) | | | | | |
| (Spool & Sleeve) | | | | | |
| 2 x 3/2 NC | K | | R503A2BD0N83BF1 (R503A2BD0N82PF1) (b) | R503A2BD0N82MF1 (R503A2BD0N69PF1) (b) | R503A2BD0N82NF1 (R503A2BD0N69NF1) (b) |
| 2 x 3/2 NO | N | | R503A2BA0N83BF1 | R503A2BA0N82MF1 | R503A2BA0N82NF1 |
| 5/2 | S | | R503A2B10N83BF1 (R503A2B10N82PF1) (b) | R503A2B10N82MF1 (R503A2B10N69PF1) (b) | R503A2B10N82NF1 (R503A2B10N69NF1) (b) |
| | M | | R503A2BN0N83BF1 | R503A2BN0N82MF1 | R503A2BN0N82NF1 |
| | J | | R503A2B40N83BF1 (R503A2B40N82PF1) (b) | R503A2B40N82MF1 (R503A2B40N69PF1) (b) | R503A2B40N82NF1 (R503A2B40N69NF1) (b) |
| 5/3 | G | | R503A2B60N83BF1 (R503A2B60N82PF1) (b) | R503A2B60N82MF1 (R503A2B60N69PF1) (b) | R503A2B60N82NF1 (R503A2B60N69NF1) (b) |
| | B | | R503A2B70N83BF1 (R503A2B70N82PF1) (b) | R503A2B70N82MF1 (R503A2B70N69PF1) (b) | R503A2B70N82NF1 (R503A2B70N69NF1) (b) |
| | E | | R503A2B50N83BF1 (R503A2B50N82PF1) (b) | R503A2B50N82MF1 (R503A2B50N69PF1) (b) | R503A2B50N82NF1 (R503A2B50N69NF1) (b) |
| 5/2 | | | R503A1B10N83BF1 (R503A1B10N82PF1) (b) | R503A1B10N82MF1 (R503A1B10N69PF1) (b) | R503A1B10N82NF1 (R503A1B10N69NF1) (b) |
| | | | R503A1B40N83BF1 (R503A1B40N82PF1) (b) | R503A1B40N82MF1 (R503A1B40N69PF1) (b) | R503A1B40N82NF1 (R503A1B40N69NF1) (b) |
| 5/3 | | | R503A1B70N83BF1 (R503A1B70N82PF1) (b) | R503A1B70N82MF1 (R503A1B70N69PF1) (b) | R503A1B70N82NF1 (R503A1B70N69NF1) (b) |
| | | | R503A1B50N83BF1 (R503A1B50N82PF1) (b) | R503A1B50N82MF1 (R503A1B50N69PF1) (b) | R503A1B50N82NF1 (R503A1B50N69NF1) (b) |
| | | | R503A1B50N83BF1 (R503A1B50N82PF1) (b) | R503A1B50N82MF1 (R503A1B50N69PF1) (b) | R503A1B50N82NF1 (R503A1B50N69NF1) (b) |



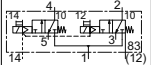
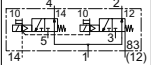
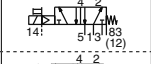
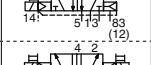
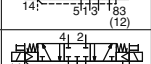
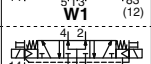
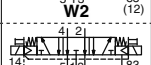

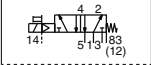
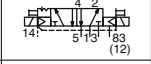
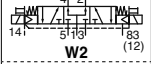
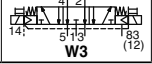
(b) Internal piloting (internal supply).

AIR QUALITY [ISO 8573-1 (2010)]: Level 7.4.4



40 μm ↔ 5 μm

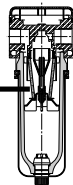




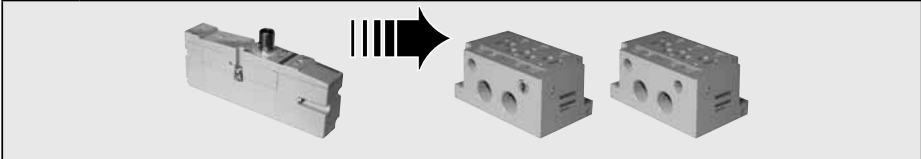
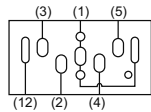
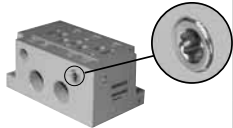
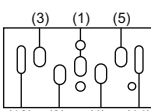
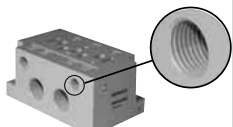
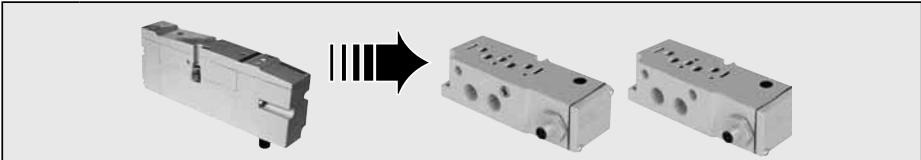
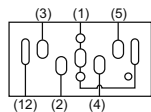
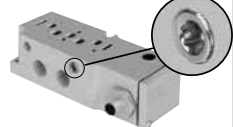
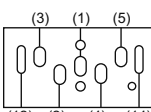
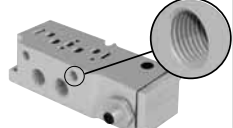
| | | | | | |
|---|---|---|--|--|-----------------|
| numatics | | 15-DIGIT PRODUCT CODE  | | | |
| | | with impulse manual operator ISO 15407-2 26 mm | with maintained manual operator ISO 15407-2 26 mm | without manual operator ISO 15407-2 26 mm | |
| (14) (12) | | (Rubber packed) | | | |
|  | | | | | |
| 2 x 3/2 NC | K |  | R503A2BD0MA00F1 | R503A2BD0M11BF1 | R503A2BD0M11MF1 |
| 2 x 3/2 NO | N |  | R503A2BA0MA00F1 | R503A2BA0M11BF1 | R503A2BA0M11MF1 |
| 5/2 | S |  | R503A2B10MA00F1 | R503A2B10M11BF1 | R503A2B10M11MF1 |
| | M |  | R503A2BN0MA00F1 | R503A2BN0M11BF1 | R503A2BN0M11MF1 |
| | J |  | R503A2B40MA00F1 | R503A2B40M11BF1 | R503A2B40M11MF1 |
| 5/3 | G |  | R503A2B60MA00F1 | R503A2B60M11BF1 | R503A2B60M11MF1 |
| | B |  | R503A2B70MA00F1 | R503A2B70M11BF1 | R503A2B70M11MF1 |
| | E |  | R503A2B50MA00F1 | R503A2B50M11BF1 | R503A2B50M11MF1 |
| (Spool & Sleeve) | | | | | |
| 5/2 | |  | R503A1B10MA00F1 | R503A1B10M11BF1 | R503A1B10M11MF1 |
| | |  | R503A1B40MA00F1 | R503A1B40M11BF1 | R503A1B40M11MF1 |
| 5/3 | |  | R503A1B70MA00F1 | R503A1B70M11BF1 | R503A1B70M11MF1 |
| | |  | R503A1B50MA00F1 | R503A1B50M11BF1 | R503A1B50M11MF1 |

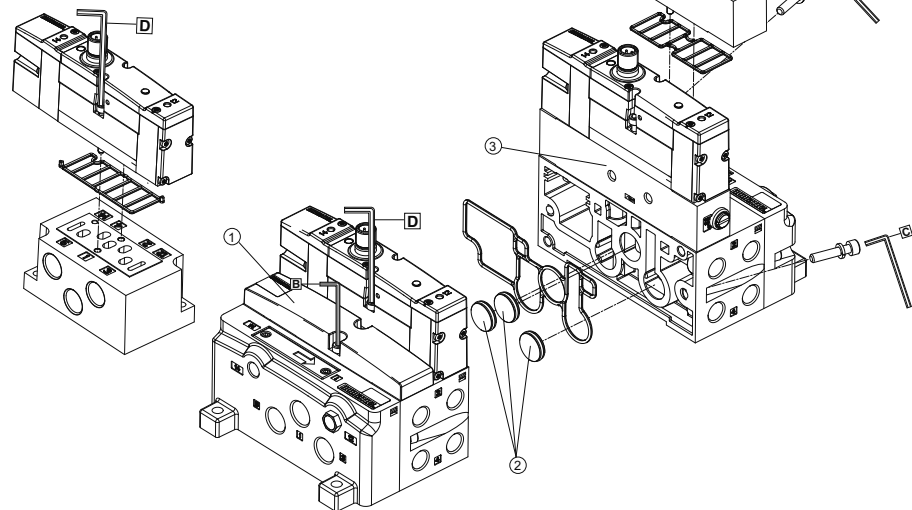
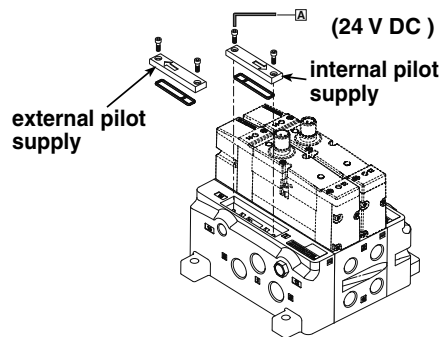
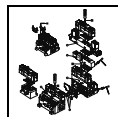
AIR QUALITY [ISO 8573-1 (2010)]: Level 7.4.4



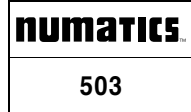
40 µm ↔ 5 µm



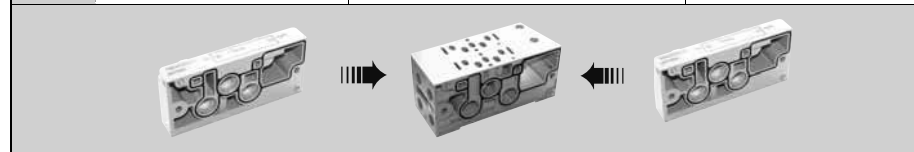
| | | | | |
|--|--|---|--|---|
| numatics | | 15-DIGIT PRODUCT CODE  | | |
| 503 | |  | | |
|  | | | | |
| G503AA3A30A0030 | |  | 1-2-3-4-5 = 5 x G 3/8 12 = G 1/8 (83) |  |
| US ▶ 8503AA3A30A0030 | | | 1-2-3-4-5 = 5 x NPT 3/8 12 = NPT 1/8 (83) | |
| G503AA3A3014X30 | |  | 1-2-3-4-5 = 5 x G 3/8 12 = G 1/8 (83) 14 = G 1/8 (12 & 14) |  |
| US ▶ 8503AA3A3014X30 | | | 1-2-3-4-5 = 5 x NPT 3/8 12 = NPT 1/8 (83) 14 = NPT 1/8 (12 & 14) | |
|  | | | | |
| G503AA3A3M56Y20 | |  | 1-2-3-4-5 = 5 x G 3/8 12 = G 1/8 (83) |  |
| US ▶ 8503AA3A3M56Y20 | | | 1-2-3-4-5 = 5 x NPT 3/8 12 = NPT 1/8 (83) | |
| G503AA3A3M59W20 | |  | 1-2-3-4-5 = 5 x G 3/8 12 = G 1/8 (83) 14 = G 1/8 (12 & 14) |  |
| US ▶ 8503AA3A3M59W20 | | | 1-2-3-4-5 = 5 x NPT 3/8 12 = NPT 1/8 (83) 14 = NPT 1/8 (12 & 14) | |



| items | N.m | Inch.pounds |
|-------|----------|-------------|
| A | 2,5 ±10% | 22 ±2.2 |
| B | 2,4 ±10% | 21 ±2.1 |
| C | 4,0 ±10% | 35.4 ±3.5 |
| D | 2,9 ±10% | 25.5 ±2.5 |



| | | | |
|------|-----------------|---------------------|--|
| US ▶ | G503AMV220A0030 | 4 x G 1/4 | |
| | G503AMV220A0030 | 4 x NPT 1/4 2 x 16) | |



| | | | |
|------|-----------------|--|--|
| US ▶ | G503AK428304004 | 3 x G 3/8 (1/3/5) 2 x G 1/8 (12/14) | |
| | 8503AK428304001 | 3 x NPT 3/8 (1/3/5) 2 x NPT 1/8 (12/14) | |

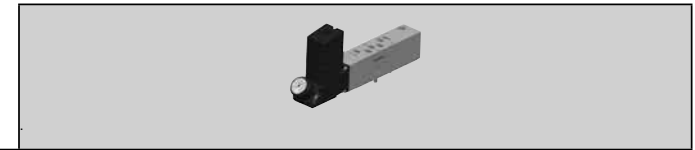
| | | |
|-----------------|--|--|
| P503AB428359001 | | |
|-----------------|--|--|

| | | | | | |
|-----------------|--|---|--|---|---------|
| P503AD431191001 | | + | | • | 1 |
| P503AD431191002 | | + | | • | 3 |
| P503AD431191003 | | + | | • | 5 |
| P503AD431191004 | | + | | • | 1, 3 |
| P503AD431191005 | | + | | • | 1, 5 |
| P503AD431191006 | | + | | • | 3, 5 |
| P503AD431191007 | | + | | • | 1, 3, 5 |

ISO 15407-1



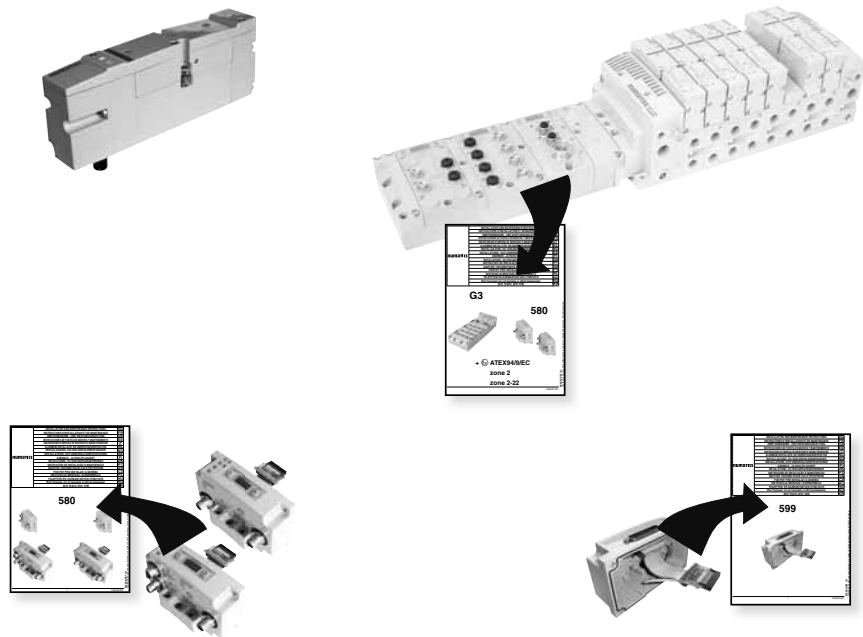
| | | | |
|-------------------------------------|--|------------------------------------|--------------------------------|
| <p>ISO 15407-1 26 mm</p> | <p>R503AY432939001</p> | <p>(12)(3)(2)(1)(4)(5)(14)</p> | |
| | <p>G1/4 NPT 1/4</p> <p>G503AW432938002</p> | <p>US ▶ 8503AW432938002</p> | <p>(12)(3)(2)(1)(4)(5)(14)</p> |
| | <p>G1/4 NPT 1/4</p> <p>G503AX432938001</p> | <p>US ▶ 8503AX432938001</p> | <p>(12)(3)(2)(1)(4)(5)(14)</p> |
| | <p>R503AS432940001</p> | <p>(14) (12) (5) (1) (3) (2)</p> | |



| | | | | |
|---|------------------|-----------------------|-----------------------|-----------------------|
| <p>R503ARS120A0030</p> <p>-----</p> <p>R503ARS120A0030</p> <p>-----</p> <p>R503ARS120A0030</p> | <p>RS</p> | <p>....RS...A00.</p> | | |
| <p>R503ARD12016P30</p> <p>-----</p> <p>R503ARD12016N30</p> <p>-----</p> <p>R503ARD120A0030</p> | <p>RD</p> | <p>....RD...16P..</p> | <p>....RD...16N..</p> | <p>....RD...A00..</p> |
| <p>R503ARE12016P00</p> <p>-----</p> <p>R503ARE12016N00</p> <p>-----</p> <p>R503ARE120A0000</p> | <p>RE</p> | <p>....RE...16P..</p> | <p>....RE...16N..</p> | <p>....RE...A00..</p> |
| <p>R503ART12016P30</p> <p>-----</p> <p>R503ART12016N30</p> <p>-----</p> <p>R503ART120A0030</p> | <p>RT</p> | <p>....RT...16P..</p> | <p>....RT...16N..</p> | <p>....RT...A00..</p> |

| | | |
|--|---|----|
| numatics | INSTALLATION AND MAINTENANCE INSTRUCTIONS | EN |
| | INSTRUCTIONS D'INSTALLATION ET DE MAINTENANCE | FR |
| | INBETRIEBNAHME - UND WARTUNGSANLEITUNG | DE |
| | INSTRUCCIONES DE PUESTA EN MARCHA Y MANTENIMIENTO | ES |
| | ISTRUZIONI DI MESSA IN SERVIZIO E MANUTENZIONE | IT |
| | ALGEMENE INSTALLATIE- EN ONDERHOUDSINSTRUCTIES | NL |
| | INSTALLASJONS- OG VEDLIKEHOLDSINSTRUKSER | NO |
| | INSTALLATIONS- OCH UNDERHÅLLSINSTRUKTIONER | SE |
| | ASENNUS - JA HUOLTO-OHJEET | FI |
| | INSTALLATIONS - OG VEDLIGEHOIDSANVISNINGER | DK |
| | INSTRUÇÕES DE INSTALAÇÃO E MANUTENÇÃO | PT |
| | ΟΔΗΓΙΕΣ ΤΟΠΟΘΕΤΗΣΗΣ ΚΑΙ ΣΥΝΤΗΡΗΣΗΣ | GR |
| | POKYNY PRO INSTALACI A ÚDRŽBU | CZ |
| INSTRUKCJA MONTAŻU I KONSERWACJI | PL | |
| TELEPÍTÉSI ÉS KARBANTARTÁSI ÚTMUTATÓ | HU | |
| Инструкция по установке и обслуживанию | RU | |
| ОРНАТУ ЖӘНЕ ҚЫЗМЕТ КӨРСЕТУ НҰСҚАУЛАР | KZ | |

503



numatics

(24 V DC)

High flow

SGL

8 G503AMS2 2 M VA0010
K 3 H W K

ISO 15407-2 / 26 mm

SGL

8 G503AMS2 2 M VA0020
K 3 H W K

DBL

8 G503AMM2 2 M V A0010
K 3 H W K

DBL

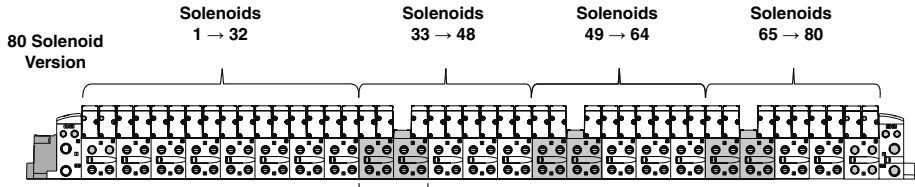
8 G503AMM2 2 M V A0020
K 3 H W K

Accessory Z-board™ Mid station supply

33

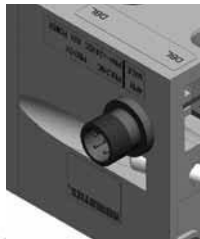
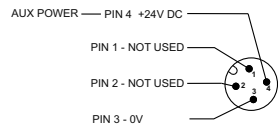


X-16 Driver
→ 80 Solenoids
(24 V DC)

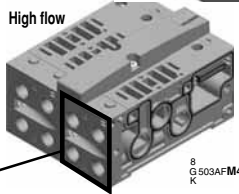


8
G 503AFM4
K
1 TA0010
2 TA0020
F
H
G

WIRING DIAGRAM



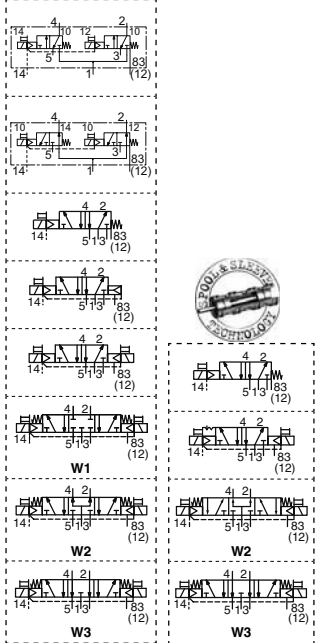
High flow



ISO 15407-2
26 mm



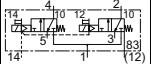
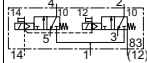

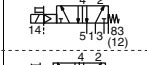
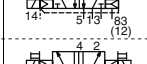
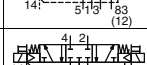
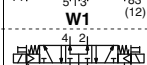
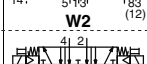



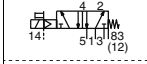


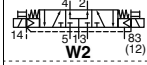


DBL



| numatics | | | | rated flow l/min 6,3 bar l/min (ANR) 1→2 2→3 1→4 4→5 | | | | | | | | | |
|------------------|------|---|-----------|---|-------|---------|------------|------|-------|------|------|------|--------------|
| (14) | (12) | ↓ | ↓ | | o / c | min. | min. | min. | min. | min. | min. | min. | max. (PS) |
| | | | | | (ms) | | | | | | | | = |
| (Rubber packed) | | | | | | | | | | | | | |
| 2 x 3/2 NC | K | | High flow | 1000 | 800 | 15 / 20 | 3,5 (a) | 8 | 2 | 10/8 | | | |
| 2 x 3/2 NO | N | | High flow | 950 | 950 | 15 / 20 | 3,5 (a) | 8 | 2 | 10/8 | | | |
| 5/2 | S | | High flow | 1400 | 1300 | 20 / 60 | 2 | 8 | -0,95 | 10/8 | | | |
| | M | | High flow | 1400 | 1300 | 28 / 40 | 3 | 8 | -0,95 | 10/8 | | | |
| | J | | High flow | 1400 | 1300 | 20 / 20 | 2 | 8 | -0,95 | 10/8 | | | |
| 5/3 | G | | High flow | 1400 | 1300 | 15 / 20 | 4 | 8 | -0,95 | 10/8 | | | |
| | B | | High flow | 1300 | 600 | 18 / 45 | 3 | 8 | -0,95 | 10/8 | | | |
| | E | | High flow | 600 | 1300 | 18 / 45 | 3 | 8 | -0,95 | 10/8 | | | |
| (Spool & Sleeve) | | | | | | | | | | | | | |
| 5/2 | | | High flow | 1200 | 1200 | 20 / 60 | 2 | 8 | -0,95 | 10/8 | | | |
| | | | High flow | 1200 | 1200 | 15 / 15 | 2 | 8 | -0,95 | 10/8 | | | |
| 5/3 | | | High flow | 1000 | 1000 | 20 / 60 | 2 | 8 | -0,95 | 10/8 | | | |
| | | | High flow | 1000 | 1000 | 20 / 60 | 2 | 8 | -0,95 | 10/8 | | | |
| | | | High flow | 800 | 800 | 20 / 60 | 2 | 8 | -0,95 | 10/8 | | | |

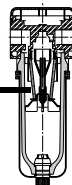
(a) 3,5 bar = (P1) ≤ 7,5 bar (> 7,5 bar, Pmin. = P1 - 4 bar)

| | | | | | |
|-----------------|---|---|---------------------------------|-------------------------|-----------------|
| numatics | | 15-DIGIT PRODUCT CODE  | | | |
| | | with impulse manual operator | with maintained manual operator | without manual operator | |
| (14) (12) | |  (Rubber packed) | | | |
| 2 x 3/2 NC | K |  | R503A2BD0MA00F1 | R503A2BD0M11BF1 | R503A2BD0M11MF1 |
| | N |  | R503A2BA0MA00F1 | R503A2BA0M11BF1 | R503A2BA0M11MF1 |
| 5/2 | S |  | R503A2B10MA00F1 | R503A2B10M11BF1 | R503A2B10M11MF1 |
| | M |  | R503A2BN0MA00F1 | R503A2BN0M11BF1 | R503A2BN0M11MF1 |
| | J |  | R503A2B40MA00F1 | R503A2B40M11BF1 | R503A2B40M11MF1 |
| 5/3 | G |  | R503A2B60MA00F1 | R503A2B60M11BF1 | R503A2B60M11MF1 |
| | B |  | R503A2B70MA00F1 | R503A2B70M11BF1 | R503A2B70M11MF1 |
| | E |  | R503A2B50MA00F1 | R503A2B50M11BF1 | R503A2B50M11MF1 |
| | |  (Spool & Sleeve) | | | |
| 5/2 |  |  | R503A1B10MA00F1 | R503A1B10M11BF1 | R503A1B10M11MF1 |
| | |  | R503A1B40MA00F1 | R503A1B40M11BF1 | R503A1B40M11MF1 |
| 5/3 |  |  | R503A1B70MA00F1 | R503A1B70M11BF1 | R503A1B70M11MF1 |
| | |  | R503A1B50MA00F1 | R503A1B50M11BF1 | R503A1B0M11MF1 |

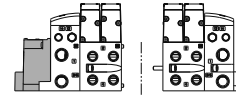
AIR QUALITY [ISO 8573-1 (2010)]: Level 7.4.4



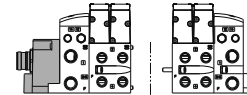
40 μm ↔ 5 μm



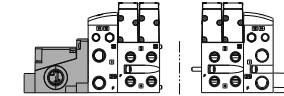
25 Pin Sub-D:
SGL = 22 max. / DBL = 11 max.
37 Pin Sub-D:
SGL = 32 max. / DBL = 16 max.



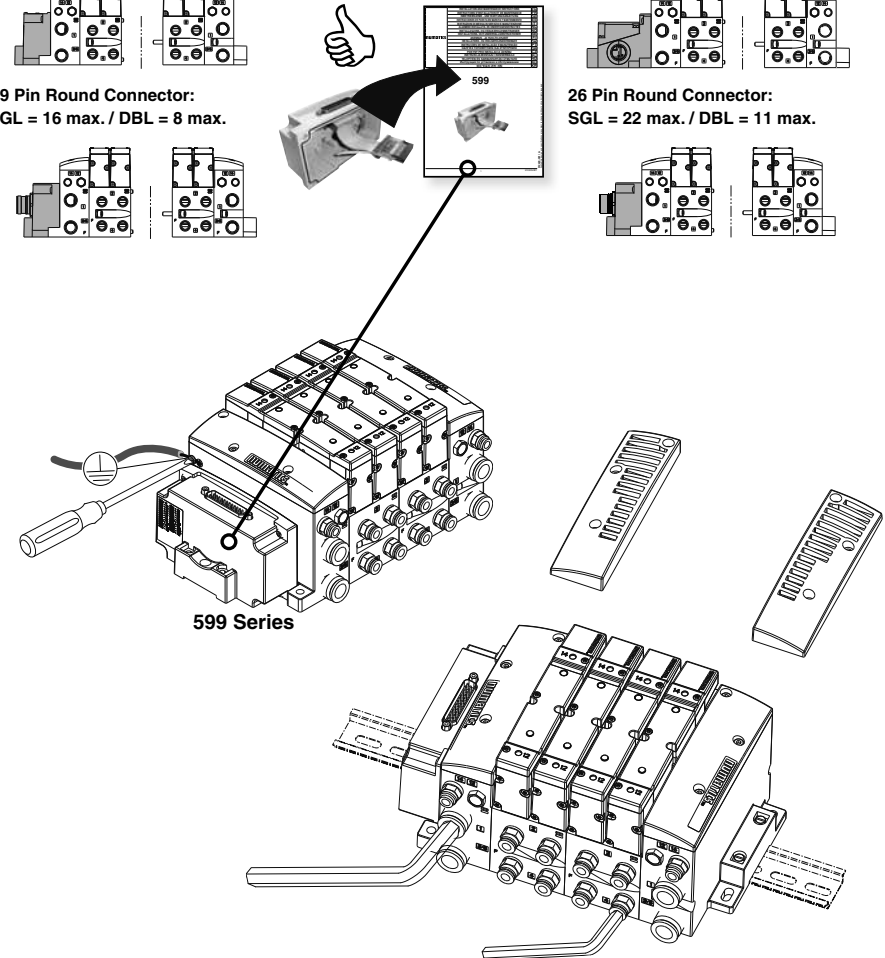
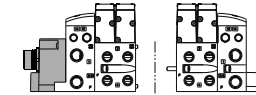
19 Pin Round Connector:
SGL = 16 max. / DBL = 8 max.

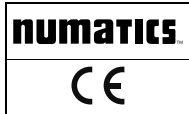


1-32 Terminal Strip:
SGL = 32 max. / DBL = 16 max.

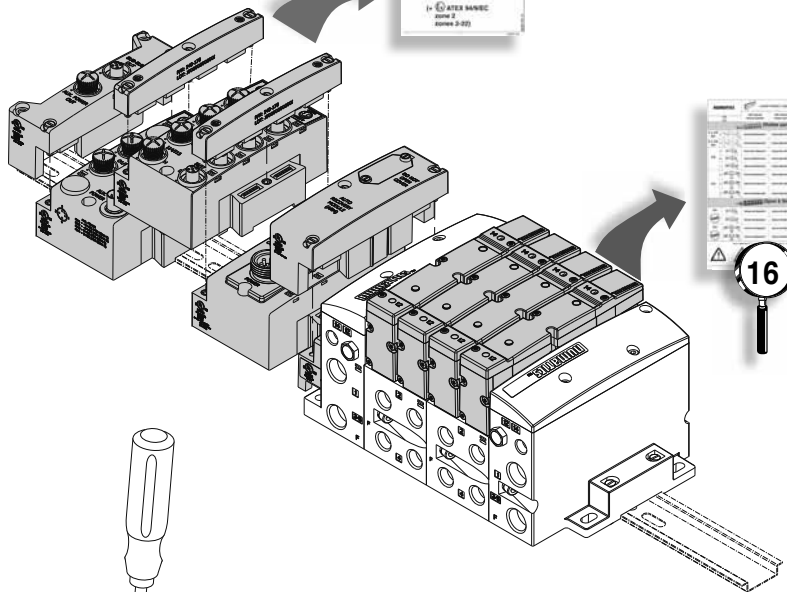


26 Pin Round Connector:
SGL = 22 max. / DBL = 11 max.

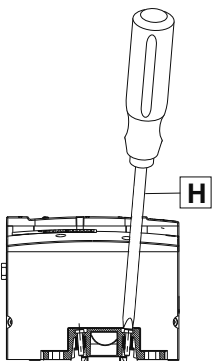




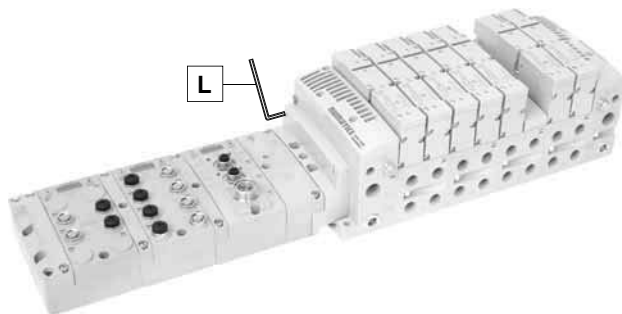
G3 → 503



16

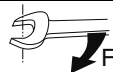
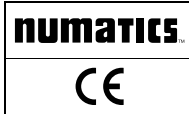


H

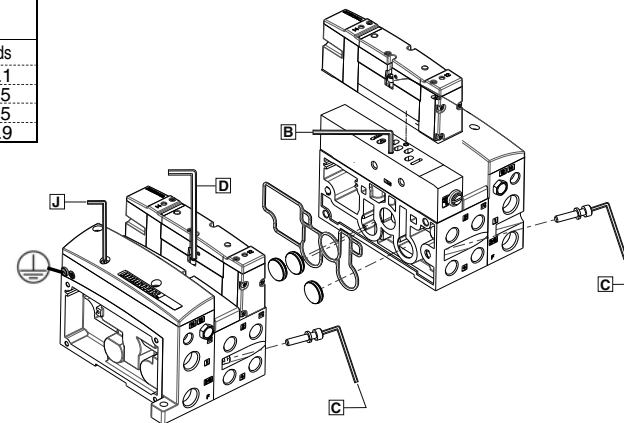


L

| items | N.m | Inch.pounds |
|-------|----------|-------------|
| H | 2.65 | 23.4 |
| L | 1.5 ±10% | 13.5 ± 1.3 |

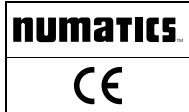


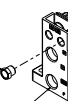
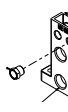




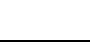
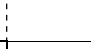
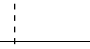


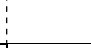
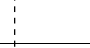


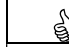
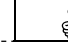




| items | N.m | Inch.pounds |
|-------|----------|-------------|
| B | 2.4 ±10% | 21.0 ± 2.1 |
| C | 4.0 ±10% | 35.4 ± 3.5 |
| D | 2.9 ±10% | 25.5 ± 2.5 |
| J | 2.2 ±10% | 19.0 ± 1.9 |

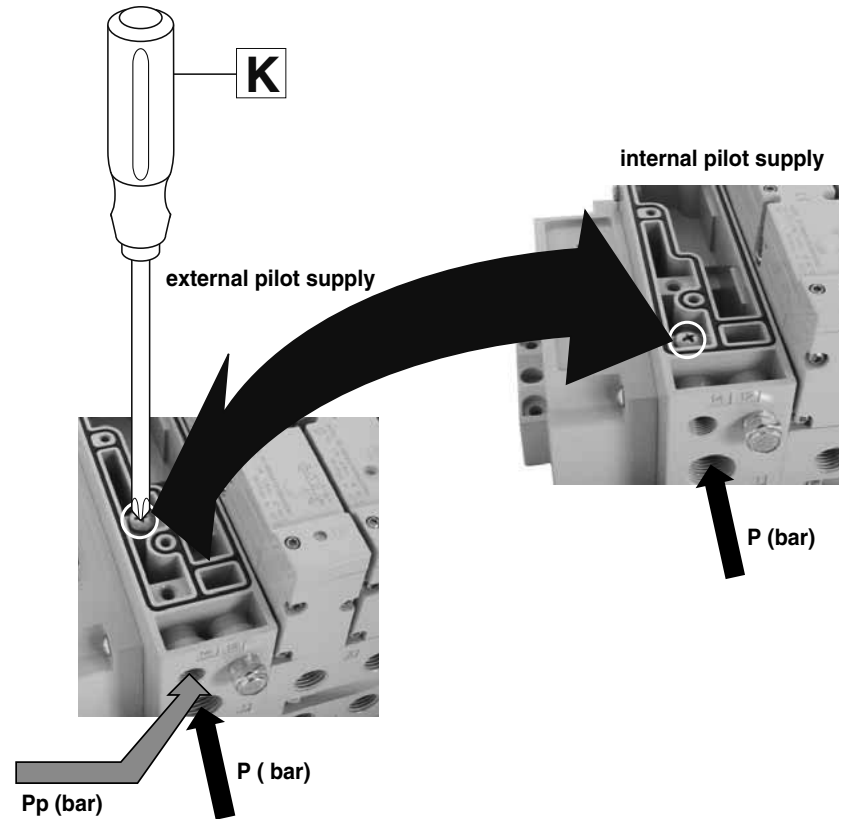
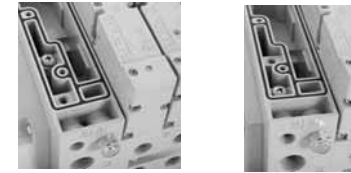


| | | |
|------------------------|--|--|
| P503AB428359001 | | |
|------------------------|--|--|

| | | | | | |
|------------------------|--|---|--|---|---------|
| P503AD431191001 | | + | | • | 1 |
| P503AD431191002 | | + | | • | 3 |
| P503AD431191003 | | + | | • | 5 |
| P503AD431191004 | | + | | • | 1, 3 |
| P503AD431191005 | | + | | • | 1, 5 |
| P503AD431191006 | | + | | • | 3, 5 |
| P503AD431191007 | | + | | • | 1, 3, 5 |

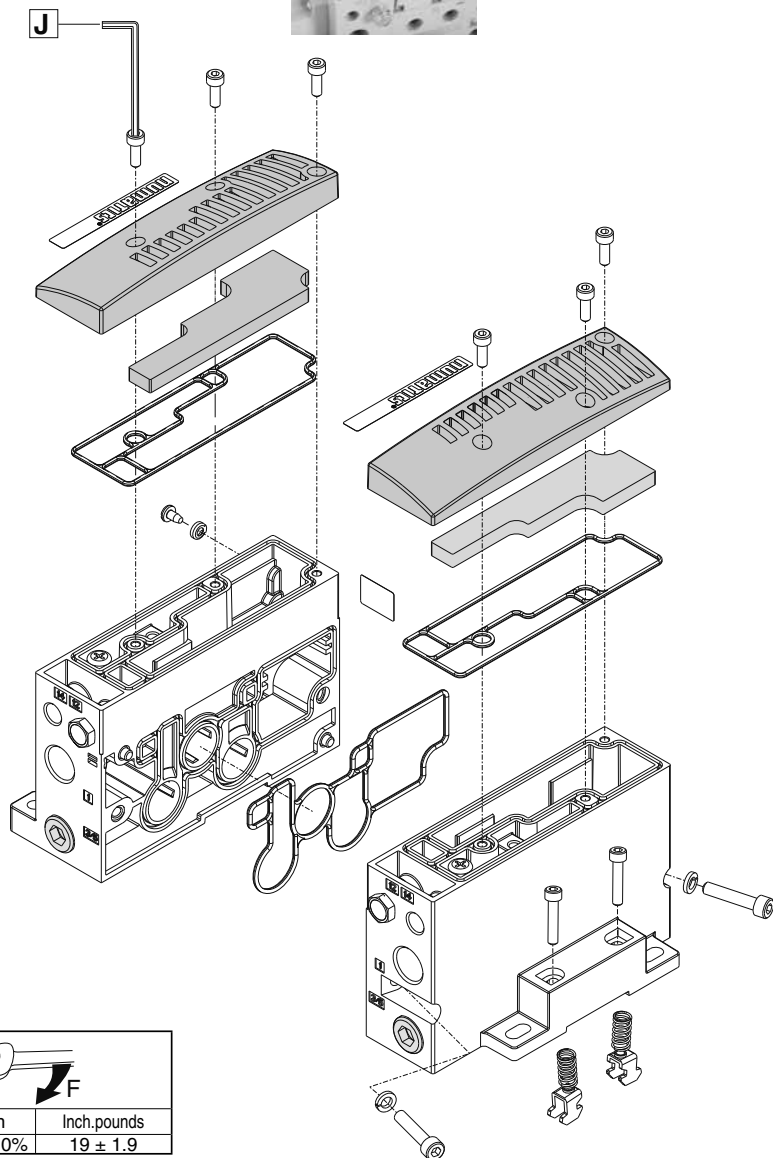


|  G (ISO 228/1) |  NPT |  6 mm 10 mm |  6 mm 12 mm |  Kit | |
|---|---|---|---|---|-----------------|
|  | | | | | G503AK428327013 |
| |  | | | | 8503AK428327001 |
| | |  | | | K503AK428327015 |
| | | |  | | K503AK428327017 |
|  | | | | | G503AK428327014 |
| |  | | | | 8503AK428327002 |
| | |  | | | K503AK428327016 |
| | | |  | | K503AK428327018 |
|  | | | | | G503AK428327019 |
| |  | | | | 8503AK428327007 |
| | |  | | | K503AK428327021 |
| | | |  | | K503AK428327023 |
|  | | | | | G503AK428327020 |
| |  | | | | 8503AK428327008 |
| | |  | | | K503AK428327022 |
| | | |  | | K503AK428327024 |



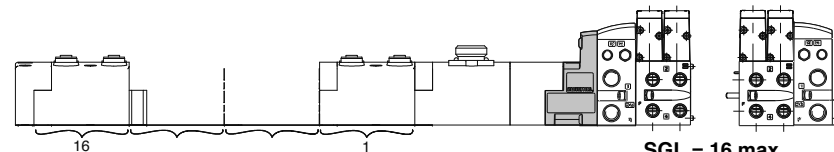
| items | N.m | Inch.pounds |
|----------|----------|-------------|
| K | 2,6 ±10% | 23 ± 2.3 |

numatics

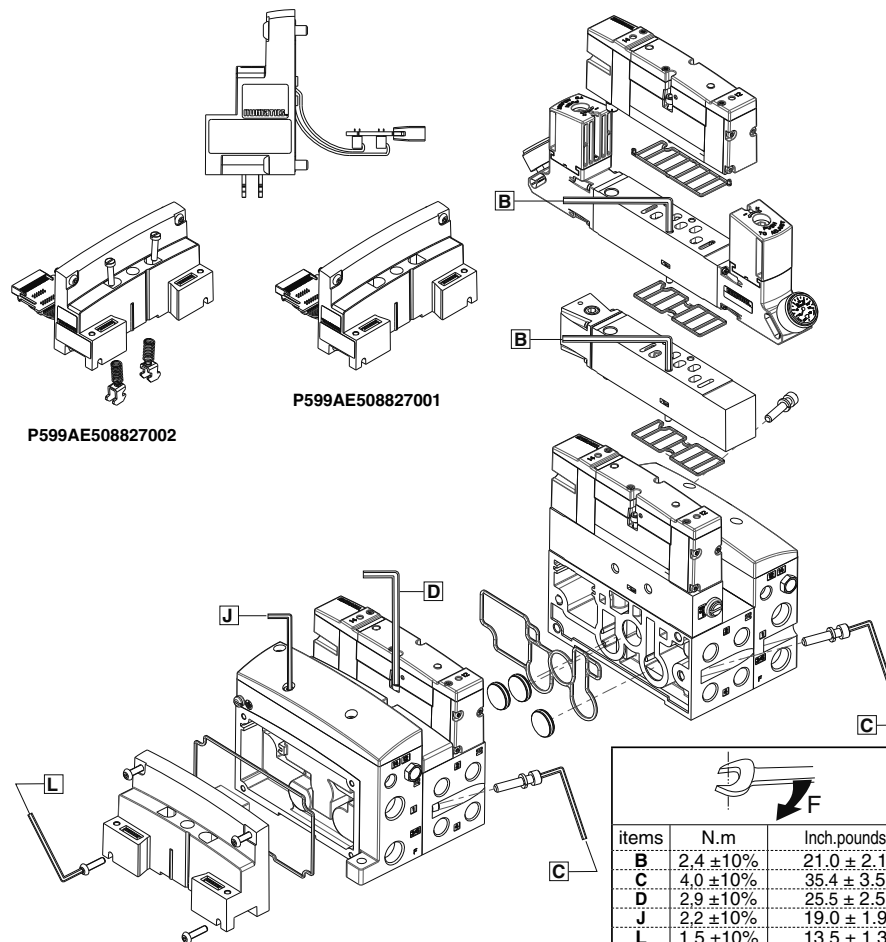


| items | N.m | Inch.pounds |
|-------|----------|-------------|
| J | 2,2 ±10% | 19 ± 1.9 |

numatics



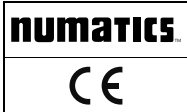
SGL = 16 max.
DBL = 8 max.



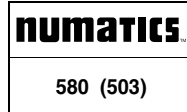
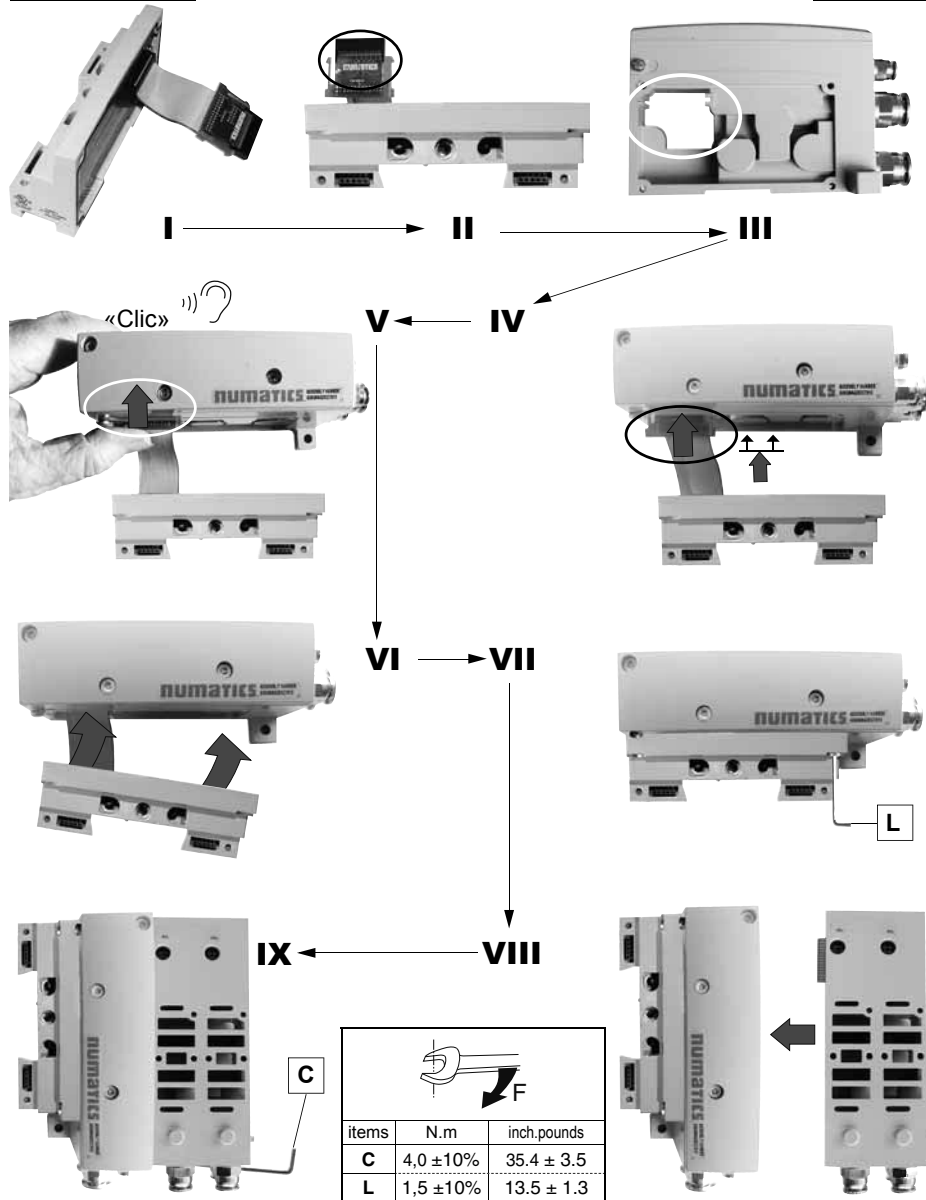
P599AE508827002

P599AE508827001

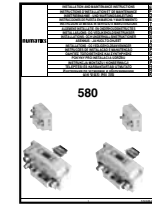
| items | N.m | Inch.pounds |
|-------|----------|-------------|
| B | 2,4 ±10% | 21,0 ± 2,1 |
| C | 4,0 ±10% | 35,4 ± 3,5 |
| D | 2,9 ±10% | 25,5 ± 2,5 |
| J | 2,2 ±10% | 19,0 ± 1,9 |
| L | 1,5 ±10% | 13,5 ± 1,3 |



G3/503



580




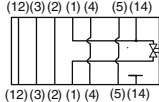

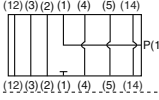

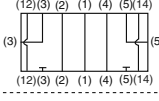

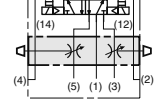

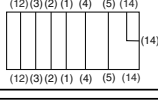




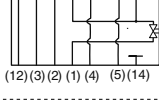

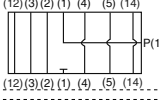

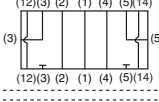

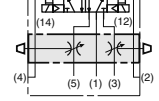

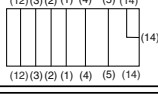
| | | | |
|--|----------------------------|--|----------------------------|
| | CANopen® | | POWERLINK |
| | DeviceNet™ | | Ethernet/IP™ |
| | PROFIBUS-DP® | | EtherCAT® |
| | EtherNET/IP™ DLR | | PROFINET® |
| | SUB-BUS | | CHARM |
| | IO-Link Class A (4 pin) | | IO-Link Class B (5 pin) |

numatics

503



| | | | | |
|---|---|-------------------------------|---|---|
|  <p>High flow</p>  |  | <p>R503AY426707002</p> |  <p>(12)(3)(2)(1)(4)(5)(14)</p> | |
| | <p>G1/4 NPT 1/4</p>  | <p>G503AW428300004</p> | <p>US ▶ 8503AW428300004</p> |  <p>(12)(3)(2)(1)(4)(5)(14)</p> |
| | <p>G1/4 NPT 1/4</p>  | <p>G503AX428300002</p> | <p>US ▶ 8503AX428300002</p> |  <p>(12)(3)(2)(1)(4)(5)(14)</p> |
| |  | <p>R503AS425575002</p> | |  <p>(12)(3)(2)(1)(4)(5)(14)</p> |
| |  | <p>G503AP428300006</p> | <p>US ▶ 8503AP428300006</p> |  <p>(12)(3)(2)(1)(4)(5)(14)</p> |

| | | | | |
|--|---|-------------------------------|---|---|
|  <p>ISO 15407-2 26 mm</p> |  | <p>R503AY426707001</p> |  <p>(12)(3)(2)(1)(4)(5)(14)</p> | |
| | <p>G1/4 NPT 1/4</p>  | <p>G503AW428300003</p> | <p>US ▶ 8503AW428300003</p> |  <p>(12)(3)(2)(1)(4)(5)(14)</p> |
| | <p>G1/4 NPT 1/4</p>  | <p>G503AX428300001</p> | <p>US ▶ 8503AX428300001</p> |  <p>(12)(3)(2)(1)(4)(5)(14)</p> |
| |  | <p>R503AS425575001</p> | |  <p>(12)(3)(2)(1)(4)(5)(14)</p> |
| |  | <p>G503AP428300005</p> | <p>US ▶ 8503AP428300005</p> |  <p>(12)(3)(2)(1)(4)(5)(14)</p> |

numatics


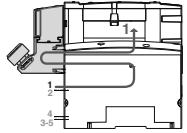



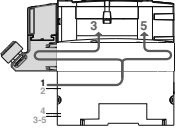
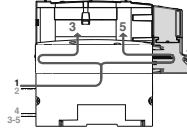
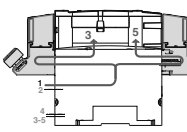
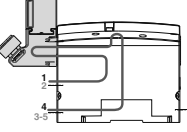
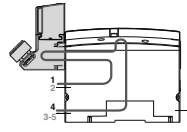
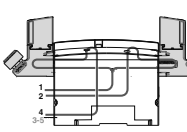
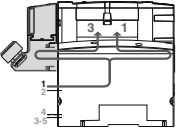
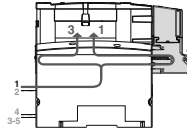
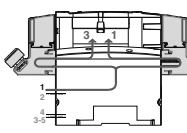
503



High flow



0,7 ... 9 bar

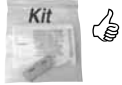
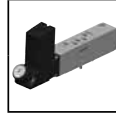
| | | | | |
|-------------------------------|------------------|---|---|---|
| | |  | | |
| <p>R503ARS12JA0010</p> | <p>RS</p> |  <p>...RS...A00.</p> | | |
| | |  |  |  |
| <p>R503ARD12J16P10</p> | <p>RD</p> |  |  |  |
| <p>R503ARD12J16N10</p> | | <p>...RD...16P..</p> | <p>...RD...16N..</p> | <p>...RD...A00..</p> |
| <p>R503ARD12JA0010</p> | | | | |
| <p>R503ARE12J16P10</p> | <p>RE</p> |  |  |  |
| <p>R503ARE12J16N10</p> | | <p>...RE...16P..</p> | <p>...RE...16N..</p> | <p>...RE...A00..</p> |
| <p>R503ARE12JA0010</p> | | | | |
| <p>R503ART12J16P10</p> | <p>RT</p> |  |  |  |
| <p>R503ART12J16N10</p> | | <p>...RT...16P..</p> | <p>...RT...16N..</p> | <p>...RT...A00..</p> |
| <p>R503ART12JA0010</p> | | | | |

numatics

503



ISO 15407-2
26 mm



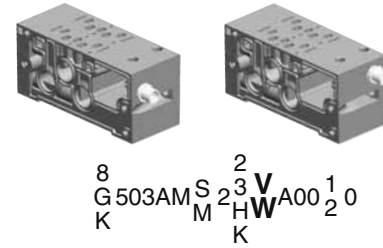
0,7 ... 9 bar

| | | | | |
|-----------------|----|-----------------------|-----------------------|-----------------------|
| R503ARS12JA0020 | RS | <p>...RS...A00.</p> | | |
| R503ARD12J16P20 | RD | <p>....RD...16P..</p> | <p>....RD...16N..</p> | <p>....RD...A00..</p> |
| R503ARD12J16N20 | | | | |
| R503ARD12JA0020 | | | | |
| R503ARE12J16P20 | RE | <p>....RE...16P..</p> | <p>....RE...16N..</p> | <p>....RE...A00..</p> |
| R503ARE12J16N20 | | | | |
| R503ARE12JA0020 | | | | |
| R503ART12J16P20 | RT | <p>....RT...16P..</p> | <p>....RT...16N..</p> | <p>....RT...A00..</p> |
| R503ART12J16N20 | | | | |
| R503ART12JA0020 | | | | |

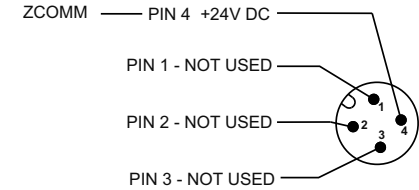
numatics

503

ACCESSORY
ZONED POWER (24 VDC Separation)



WIRING DIAGRAM

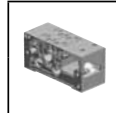


| | |
|----|--|
| EN | The 0 VDC reference for the +24 VDC applied to Pin 4 of the M12 Connector MUST be the same as the one used on G3 / 580 / Terminal Strip / 25 or 37 Pin Sub-D / 19 or 26 Pin Round Connector. If multiple 24 VDC power supplies are used the 0 VDC references of each power supply MUST be connected together. |
| FR | La référence 0 VCC pour le +24 VCC appliquée à la broche 4 du connecteur M12 DOIT être la même que celle utilisée avec le G3 / 580 / bornier / connecteur Sub-D 25 ou 37 broches / connecteur rond 19 ou 26 broches. Si des alimentations multiples en 24 VCC sont utilisées les références 0 VCC de chaque alimentation DOIVENT être connectées ensemble. |
| DE | Die 0-VDC-Referenz für die +24 VDC, die an Pin 4 von Buchse M12 angelegt werden, MÜSSEN mit der übereinstimmen, die an G3 / 580 / Klemmenleiste / 25- oder 37-polige Sub-D- / runde 19- oder 26-polige Buchse verwendet werden. Wenn mehrere 24-VDC-Stromversorgungen verwendet werden, MÜSSEN die 0-VDC-Referenzen aller Stromversorgungen miteinander verbunden werden. |
| ES | La referencia de 0 V CC para los +24 V CC aplicados a la patilla 4 del conector M12 DEBE ser la misma que la utilizada en el conector redondo de 19 o 26 pines / G3 / 580 / tira de terminales / Sub-D de 25 o 37 pines. Si se utilizan varias fuentes de alimentación de 24 V CC en las referencias de 0 V CC de cada fuente de alimentación, DEBEN conectarse juntas. |
| IT | Il riferimento 0 V CC per la tensione a +24 V CC, applicata al piedino 4 del connettore M12, DEVE essere lo stesso utilizzato nel caso del G3 / 580 / Morsettera / Sub-D a 25 o 37 piedini / Connettore rotondo a 19 o 26 piedini. Nel caso siano utilizzate alimentazioni multiple a 24 V CC, i riferimenti 0 V CC di ciascuna alimentazione DEVONO essere connessi assieme. |
| NL | De 0 VDC referentie voor +24 VDC toegepast op pin 4 van de M12-connector MOET identiek zijn aan de referentie die wordt gebruikt op G3 / 580 / Klemmenstrook / 25 of 37 Pin Sub-D / 19 of 26 Pin Round Connector. Indien er meerdere 24 VDC voedingen worden gebruikt MOETEN de 0 VDC referenties van iedere voeding op elkaar zijn aangesloten. |
| NO | Referansen 0 VDC for +24 VDC brukst på pinne 4 til M12-kontaktene MA være det samme som den som brukes på G3 / 580 / terminalstripen / 25 eller 37 pinners Sub-D / 19 eller 26 pinners rund kontakt. Hvis flere 24 VDC-strømforsyninger brukes MA 0 VDC-referansene til hver strømforsyning kobles sammen. |
| SE | 0 V DC-referens för +24 V DC på stift 4 på M12-kontaktdonet MÅSTE vara samma som den som används på G3/580/anslutningsrad/25- eller 37-stifts sub-D/19- eller 26-stifts runt kontaktdon. Om flera 24 V DC-nätenheter används MÅSTE 0 V DC-referenserna för varje nätenhet kopplas ihop. |
| FI | M12-liittimen tappiin 4 syötetään +24 VDC:n 0 VDC-referenssin ON OLTAVA sama, jota käytetään G3 / 580 / liittäntärimä / 25:ssä tai 37 tapin Sub-D / 19:ssä tai 26 tapin pyöreässä liittimessä. Jos käytetään useita 24 VDC:n virtalähteitä, kaikkien virtalähteiden 0 VDC-referenssit ON LIITETTÄVÄ yhteen. |
| DK | 0 VDC-referensen for +24 VDC, der anvendes til Ben 4 for M12-stik, SKAL være den samme som den, der anvendes på G3 / 580 / Terminalens bånd / 25 eller 37 bens Sub-D / 19 eller 26 pins rundt stik. Hvis der anvendes flere 24 VDC-strømforsyninger, SKAL 0 VDC-referencerne for hver strømforsyning være tilsluttet sammen. |
| PT | A referência 0 VCC para a +24 VCC aplicada ao pino 4 do conector M12 TEM de ser igual à utilizada na G3/580/faixa de terminais/sub-D de 25 ou 37 pinos/conector redondo de 19 ou 26 pinos. Se utilizar várias fontes de alimentação de 24 VCC, TEM de ligar em conjunto as referências 0 VCC de cada fonte de alimentação. |
| GR | Η τάση αναφοράς των 0 VDC για τη +24 VDC που εφαρμόζεται στον Πείρο 4 του Συνδέσμου M12 ΠΡΕΠΕΙ να είναι ο ίδιος με αυτόν που χρησιμοποιείται σε G3 / 580 / Τερματική ταινία / Sub-D 25 ή 37 πτερίων / Στρογγυλό σύνδεσμο 19 ή 26 πτερίων. Εάν χρησιμοποιούνται πολλαπλά τροφοδοτικά 24 VDC με τόσες αναφοράς 0 VDC για κάθε τροφοδοτικό ΠΡΕΠΕΙ να είναι συνδεδεμένα μεταξύ τους. |
| CZ | Referenční napětí 0 V DC pro napětí +24 V DC na kolíku 4 konektoru M12 MUSÍ být stejné jako napětí použité na přístroji G3 / 580 / svorkovnice / kolík 25 nebo 37 konektoru Sub-D / kolík 19 nebo 26 kulatého konektoru. Jestliže se používá několik napájecích zdrojů 24 V DC, MUSÍ být referenční napětí 0 V DC každého napájení připojeno společně. |
| PL | Odniesienie 0 VDC dla +24 VDC stosowanego dla Pinu 4 złącza M12 MUSI być takie samo jak te zastosowane na Listwie zaciskowej G3 / 580 / Sub-D 25 lub 37 stykowym / Okragłym złączu 19 lub 26 stykowym. Jeśli zastosowanych jest kilka zasilaczy 24 VDC, wówczas odniesienia 0 VDC każdego zasilacza MUSZA być połączone razem. |
| HU | Az M12-es csatlakozó 4. tűjére alkalmazott +24 V DC 0 V DC referenciájának azonosnak KELL lennie a G3 / 580 / sorkapcsoló / 25- vagy 37-tűs Sub-D / 19- vagy 26-tűs kerek csatlakozó értékével. Amennyiben több 24 V DC értékű tápforrást használ, csatlakoztatni KELL az összes tápforrás 0 V DC referenciáját. |
| RU | Отчетное напряжение 0 В пост. тока для +24 В пост. тока, подаваемое на Конт. 4 Разъем M12, ДОЛЖНО быть таким же, как напряжение, используемое на G3 / 580 / Клеммная колодка / Разъем Sub-D Конт. 25 или 37 / Круглый разъем Конт. 19 или 26. При использовании нескольких источников питания 24 В пост. тока выводы отчетного напряжения 0 В пост. тока каждого источника питания ДОЛЖНЫ быть соединены вместе. |
| KZ | M12 коннекторының 4-істігіне қолданылатын +24 В тұрақты токқа арналған 0 В тұрақты ток үлгісі G3 / 580 / контакт жолағы / 25 немесе 37 істікті Sub-D / 19 немесе 26 істікті дөңгелек коннектор үшін пайдаланылатын ток үлгісімен бірдей болуы ТИІС . 24 В тұрақты токпен қамтамасыз ететін бірнеше қуат блогы пайдаланылса, әр қуат блогының 0 В тұрақты ток үлгілері бірге жалғануы ТИІС . |

numatics

503

ACCESSORY ZONED POWER (24 VDC Separation)



8
G 503AM S M 2 3 V A00 1 0
K H W A00 2 0
K



HU

A Zoned Power pneumatikus szigetek biztonsággal kapcsolatos ellenőrzési rendszerek (SRP/CS) részeként használhatók, az ISO 13849 szabvány betartása mellett a 3. kategóriás/PLd rendszer, amennyiben a megfelelő külső biztonsági ellenőrzéssel (például: megfigyelés, időzítés, impulzus teszt, stb.), valamint az összes kapcsolódó biztonsági szabvány betartásával használják őket. Az ISO 13849 értelmében, a végfelhasználónak, illetve a harmadik fél szervezetnek minden vezérlőrendszer (CS) fel kell mérnie, és igazolnia kell, beleértve a bevált alkatrészeket. A pneumatikus sziget alkatrészek megbízhatósági adatai kérésre megadhatók. A weboldalunkon elérhető műszaki kézikönyvünkben megtalálható a különböző típusú alkalmazások részletes leírása.

- Az ISO 13849-2 szabvány értelmében a termék biztonsági alkatrészeit SELV/PELV tápfeszültségről kell ellátni.
- Ha a terméket vezetőképes port, vezet vagy egyéb, belső rövidzáratot okozó közvetítő anyagot tartalmazó környezetben használják, akkor szekrényt vagy megfelelő burkolatot kell alkalmazni.

RU

В качестве элемента системы контроля, связанной с безопасностью (SRP/CS), можно использовать пневмоострова с зонированным питанием согласно стандартам ISO 13849 вплоть до категории 3/PLd, если это сочетается с соответствующими внешними мерами по контролю безопасности (напр. наблюдение, тактирование, импульсный контроль и т. д.) и с соблюдением всех связанных с ними стандартов безопасности. Согласно ISO 13849 конечный пользователь или сторонняя организация обязаны провести оценку и сертификацию системы контроля в целом, включая проверенные компоненты. Данные по надежности компонентов острова предоставляются по требованию. Различные виды применения перечислены в техническом руководстве на нашем сайте.

- Согласно стандарту ISO 13849-2 и требованиям к безопасности, на элементы следует подавать электропитание БСНН/ЗСНН.
- При эксплуатации в среде, содержащей проводящую пыль, воду или иное вещество, способное вызвать внутреннее короткое замыкание, следует воспользоваться шкафом или соответствующим кожухом.

KZ

Қуатты қамтамасыз ететін, аймақтарға бөлінген пневматикалық блоктар қауіпсіздікті қамтамасыз етуге арналған тиісті элементтермен (мысалы, бақылау, уақытты белгілеу, импульс сынағы, т.б.) бірге пайдаланылса және барлық байланысты қауіпсіздік стандарттарына сәйкес пайдаланылса, оларды ISO 13849 стандартына сәйкес 3-санат/PLd деңгейіне дейінгі қауіпсіздікке қатысты басқару жүйесінің (SRP/CS) бір бөлігі ретінде пайдалануға болады. ISO 13849 стандартына сәйкес, тұтынушы немесе үшінші тарап ұйымы тексерілген құрамдастарды қоса, басқару жүйесінің (БЖ) жұмысын түгел бағалап, куәландыру қажет. Блок құрамдастарының сенімділігі туралы деректер сұрау бойынша беріледі. Қолдану түрлері біздің веб-сайтта қолжетімді техникалық нұсқаулықта толық сипатталған.

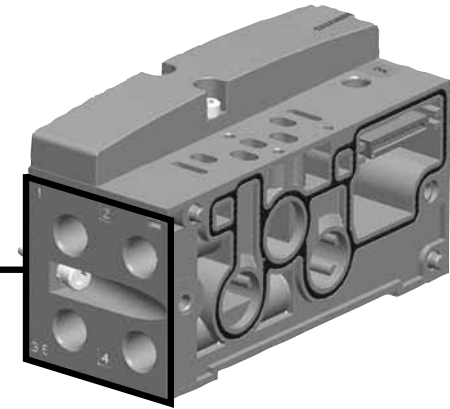
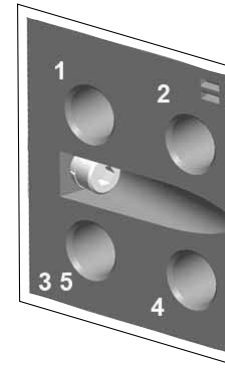
- ISO 13849-2 стандарты бойынша өнім қауіпсіздігінің белшектері SELV/PELV қуат блогынан қуатпен қамтамасыз етілуі тиіс.
- Өнім электр өткізгіш шаң, су немесе қысқа тұйықталуға себеп болатын қандай да бір зат бар ортада пайдаланылса, шкаф немесе тиісті жабық жерді пайдалану керек.

numatics

CE

ACCESSORY MID STATION SUPPLY AND EXHAUST 503 double Z-board, 15407-2 double Z-board and 15407-1 no Zboard

503



8
G 503AZ M 22 M A00 2 1
K V 0 3

