

THE NEXT GENERATION OF  
PROCESS INSIGHT IS HERE



## MICRO MOTION® MODEL 5700

THE CORIOLIS FLOW AND DENSITY TRANSMITTER  
FOR SUPERIOR PROCESS MEASUREMENT

# INTRODUCING EMERSON'S MICRO MOTION® 5700 TRANSMITTER

## Superior Process Insight for Optimizing Your Performance: Today and in the Future

The Micro Motion 5700 transmitter delivers the best in measurement technology and offers unparalleled support — ensuring total measurement confidence, valuable process insight and greater operational efficiency.

The 5700 provides the scalability, compatibility and performance that your application demands.



You face more than your share of obstacles when it comes to managing uptime, throughput, and optimizing your operations - and challenges like a retiring workforce and tighter regulations add to the complexity. To meet your goals, you need measurements you can count on, simple and easy products to work with and expert support for help when you need it.

### The Micro Motion 5700 Transmitter Delivers:

#### Repeatable, Reliable, Accurate Measurements

- Faster processing speed delivers the best response even in the most challenging applications such as meter proving, filling & dosing and batching
- Smart Meter Verification provides you with the confidence you need in your meter performance
- Zero verification confirms the calibration and indicates when it's time to re-zero the meter

#### A Window into Your Process

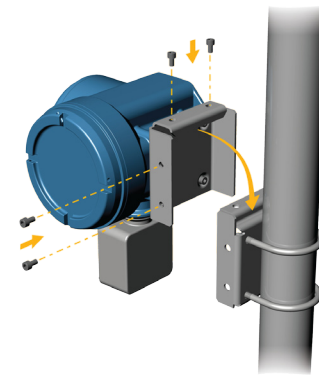
- Easy access to detailed measurement history gives you valuable insight into your process for better troubleshooting and optimization
- Real-time indication of multi-phase flow events allow for greater process control
- High-accuracy density measurement reduces or eliminates waste in your process, while the embedded historian records upsets and process deviations

#### Productivity Through Simplified Solutions

- Designed to minimize the time and expertise needed to install and operate the flowmeter
- Up to five fully configurable I/O channels that can be easily upgraded with changing needs
- Offline configuration and auditing through new file shuttling capability

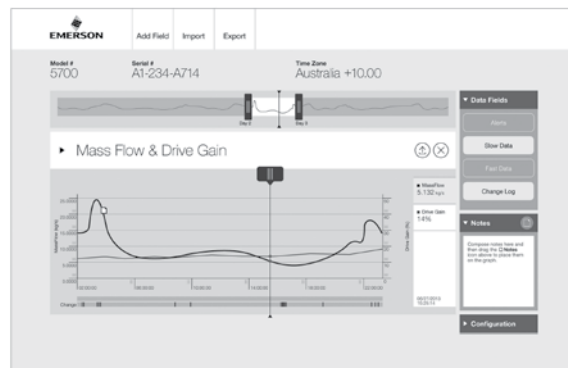
**Simplified Installation and Commissioning**

An intuitive user interface, spacious side-access wiring compartment and convenient mounting brackets



**Measurement History for Easier Troubleshooting and Optimization**

Detailed history files deliver key time-stamped information about your process from configuration changes and alerts to process events and statistics



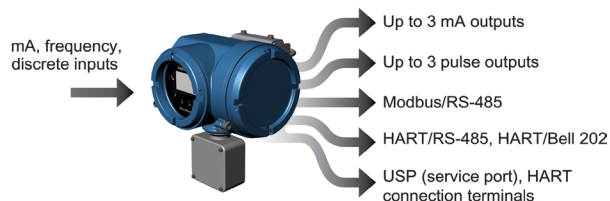
**Smart Meter Verification**

Our online tool verifies your meter performs as well as the day it was installed, giving you assurance in less than 90 seconds



**Unmatched System Connectivity and Services Interfaces**

Up to five fully configurable I/O channels with multiple mA, discrete and pulse outputs, and several powerful service interfaces

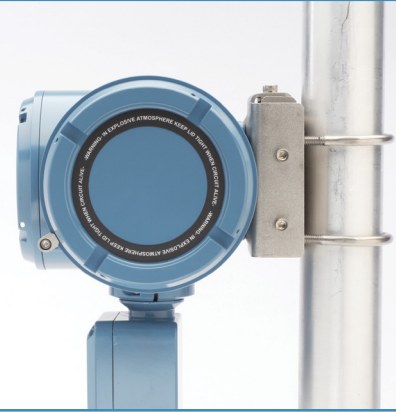
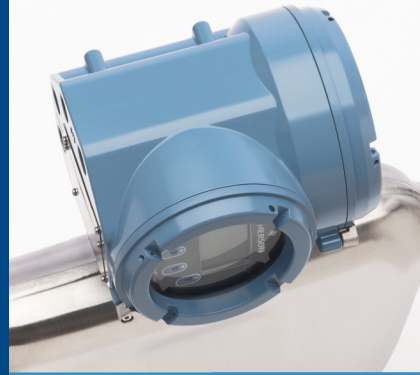


The Micro Motion 5700 Transmitter  
 NOW IT'S ALL JUST A PART OF THE PROCESS...

## 5700 Transmitter Specifications

Standard interface/display	Graphical backlit display with 4-button optical controls and flowmeter-status LED Supports English, German, French, Spanish, Portuguese, Russian, Chinese and Japanese
Power	Self switching AC/DC input, automatically recognizes supply voltage
I/O channels	+Up to 3 mA outputs +Up to 2 Pulse outputs +Up to 3 Discrete outputs +Up to 2 Discrete inputs +mA and Pulse inputs +Modbus/RS-485
Operating temperature limit	-40 to +149 °F (-40 to +65 °C)
Mounting	Integral or remote-mount options (4-wire and 9-wire)
Communication protocols	Modbus/USB, HART/RS-485, Modbus/RS-485, HART/Bell 202
Advanced features	Smart Meter Verification, Concentration Measurement, API Referral, Batching

CONFIDENCE & INSIGHT



For over 35 years, Emerson's Micro Motion has been a technology leader delivering the most precise flow, density and concentration measurement devices for fiscal applications, process control and process monitoring. Our passion for solving flow and density measurement challenges is proven through the highly accurate and unbeatable performance of our devices.



5700 Transmitter

For more information, please visit: [www.MicroMotion.com/5700](http://www.MicroMotion.com/5700)

©2014 Micro Motion, Inc. All rights reserved. The Emerson logo is a trademark and service mark of Emerson Electric Co. Micro Motion, ELITE, ProLink, MVD and MVD Direct Connect marks are marks of one of the Emerson Process Management family of companies. All other marks are property of their respective owners.

### Emerson Process Management Americas

7070 Winchester Circle  
Boulder, Colorado USA 80301  
[www.MicroMotion.com](http://www.MicroMotion.com)  
[www.Rosemount.com](http://www.Rosemount.com)  
T: +1 800 522 6277  
T: +1 (303) 527 5200  
F: +1 (303) 530 8459

Mexico T: 52 55 5809 5300  
Argentina T: 54 11 4837 7000  
Brazil T: 55 15 3413 8000  
Venezuela T: 58 26 1300 8100

### Emerson Process Management Europe/Middle East

Central & Eastern Europe T: +41 41 7686 111  
Dubai T: +971 4 811 8100  
Abu Dhabi T: +971 2 697 2000  
France T: 0800 917 901  
Germany T: 0800 182 5347  
Italy T: 8008 77334  
The Netherlands T: +31 318 495 555  
Belgium T: +32 2 716 77 11  
Spain T: +34 913 586 000  
U.K. T: 0870 240 1978  
Russia/CIS T: +7 495 981 9811

### Emerson Process Management Asia Pacific

Australia T: (61) 3 9721 0200  
China T: (86) 21 2892 9000  
India T: (91) 22 6662 0566  
Japan T: (81) 3 5769 6803  
South Korea T: (82) 2 3438 4600  
Singapore T: (65) 6 777 8211