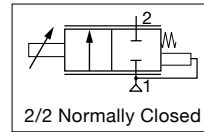


ASCO™ PROPORTIONAL VALVE

PRECIFLOW IPC VALVE

**SERIES
202**

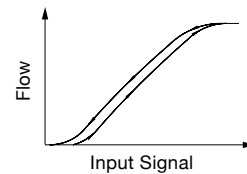
- This Preciflow solenoid valve design is specifically suited to proportionally control the flow of air and inert gases in ventilator blending by varying the electrical input signal to the coil
- Low hysteresis (typ. < 5%), excellent repeatability (typ. < 1%), and high sensitivity (typ. < 1%) make these valves ideal for high precision flow control
- Compact pressure compensated architecture saves valuable space
- Specialized seal design and long-life expectancy
- Meets all relevant CE directives, and is RoHS compliant
- Typical applications include:
 - Blender/Mixer Control Valve (e.g. Atmospheric Air Blender/Mixer Control Valve in ventilators)



Version	Fluids*	Temperature Range	Seal Materials*
Preciflow IPC	Air or Inert Gases ¹	10 °C to 50 °C (50 °F to 122 °F)	FKM, ECO

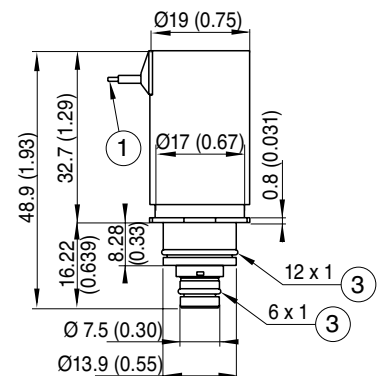
* The verification of compatibility of the material in contact with the fluids is under responsibility of the customer.

¹ Filtration: 5µm



General Valve Information	
Body Materials	Stainless Steel
Other Materials	Stainless Steel, FKM, ECO, PPS
Max. Operating Pressure	7 bar [101 psi]
Min. Operating Pressure	0 bar [0 psi]
Max. Allowable Back Pressure	10% of inlet pressure @ outlet
Internal Leak Rating	< 1 mL/min @ Max. Operating Pressure
External Leak Rating	< 1 mL/min @ Max. Operating Pressure
Flow Rate	~ 170 L/min @ 2.7 bar [39 psi]

Electrical Characteristics	
Coil Insulation Class	F (155 °C [311 °F])
Connector	LeadWires (PTFE/ ETFE); 0.23m (9") length (24 AWG)
Electrical Safety	IEC 335
Electrical Enclosure Protection	IP50 (EN 60529)
Standard Voltages	6 VDC, 12 VDC, 24 VDC
Input signal	0-6 VDC, 0-12 VDC, 0-24 VDC; Pulse-width Modulation (min. 2000Hz), Current control recommended
Flow Regulation Characteristics	Hysteresis typ. < 5%; Repeatability typ. < 1%; Sensitivity typ. < 1%



① 2 electrical supply wires, length: 0.23m (9")

③ O-ring

Catalog Number	Voltage	Max. Operating Current	Power Ratings			Hot/Cold	Ambient Temperature Ranges
			Inrush	Holding			
	V	mA	VA	VA	W	W	°C (°F)
X202544750001E7	6	420	-	-	-	2.5	10 to 50 (50 to 122)
X202544750001F3	12	210					
X202544750001F1	24	110					

01011-V-GB-2020-F0