

Further addresses:
www.aventics.com/contact

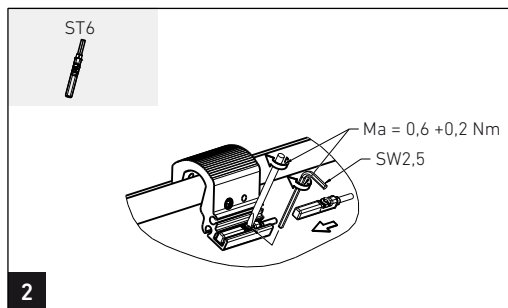
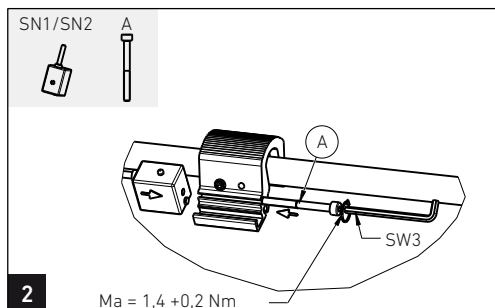
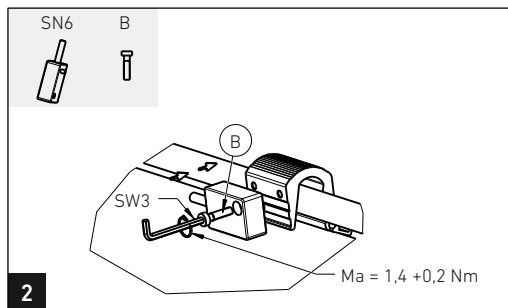
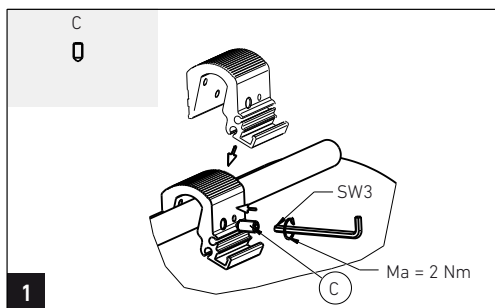
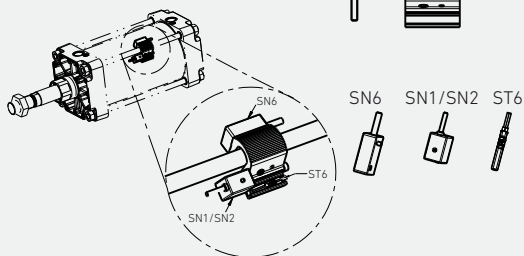
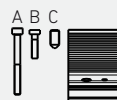
The data specified above only serve to describe the product. No statements concerning a certain condition or suitability for a certain application can be derived from our information. The given information does not release the user from the obligation of own judgement and verification. It must be remembered that our products are subject to a natural process of wear and aging.

An example configuration is depicted on the title page. The delivered product may thus vary from that in the illustration. Translation of the original operating instructions. The original operating instructions were created in the German language.

R412019126-BDL-001-AD/11.2015
Subject to modifications. © All rights reserved by AVENTICS GmbH, even and especially in cases of proprietary rights applications. It may not be reproduced or given to third parties without its consent.

R412019126/11.2015, Replaces: 10.2014, DE/EN/FR/IT/ES/SV

Lieferumfang | Delivery contents
Fourniture | Fornitura
Volumen de suministro | Leveransömfattning



AVENTICS GmbH

Ulmer Straße 4
30880 Laatzen, GERMANY
Phone +49 (0) 5 11-21 36-0
Fax: +49 (0) 511-21 36-2 69
www.aventics.com
info@aventics.com



Montageanleitung | Assembly instructions | Mode d'emploi |
Istruzioni di montaggio | Instrucciones de montaje | Monteringsanvisning

Sensorbefestigungen R412017979/R412017980
Sensor mountings R412017979/R412017980
Fixations de capteur R412017979/R412017980
Fissaggi sensori R412017979/R412017980
Fijaciones de sensor R412017979/R412017980
Sensorfästen R412017979/R412017980

Further addresses:
www.aventics.com/contact

The data specified above only serve to describe the product. No statements concerning a certain condition or suitability for a certain application can be derived from our information. The given information does not release the user from the obligation of own judgement and verification. It must be remembered that our products are subject to a natural process of wear and aging.

An example configuration is depicted on the title page. The delivered product may thus vary from that in the illustration. Translation of the original operating instructions. The original operating instructions were created in the German language.

R412019126-BDL-001-AD/11.2015
Subject to modifications. © All rights reserved by AVENTICS GmbH, even and especially in cases of proprietary rights applications. It may not be reproduced or given to third parties without its consent.

R412019126/11.2015, Replaces: 10.2014, DE/EN/FR/IT/ES/SV

Lieferumfang | Delivery contents
Fourniture | Fornitura
Volumen de suministro | Leveransomfattning

