

CB1

R412022745/01.2015,
 Replaces: -, DE/EN/FR/IT/ES/SV

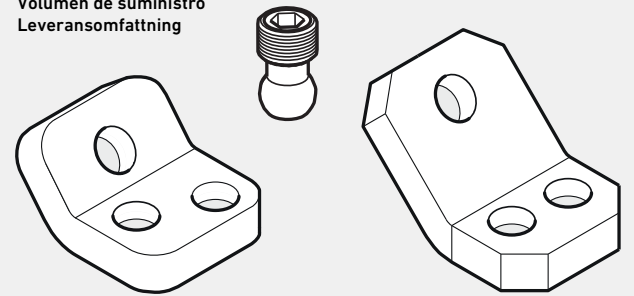
The data specified above only serve to describe the product. No statements concerning a certain condition or suitability for a certain application can be derived from our information. The given information does not release the user from the obligation of own judgement and verification. It must be remembered that our products are subject to a natural process of wear and aging.

An example configuration is depicted on the title page. The delivered product may thus vary from that in the illustration.

Translation of the original operating instructions. The original operating instructions were created in the German language.

R412022745-BDL-001-AA/01.2015
 Subject to modifications. © All rights reserved by AVENTICS GmbH, even and especially in cases of proprietary rights applications. It may not be reproduced or given to third parties without its consent.

Lieferumfang
 Delivery contents
 Fourniture
 Fornitura
 Volumen de suministro
 Leveransomfattning

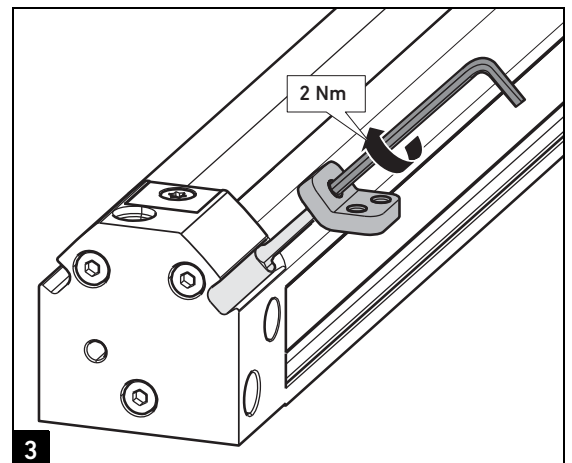
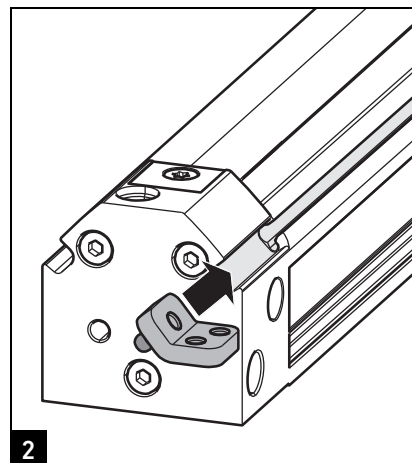
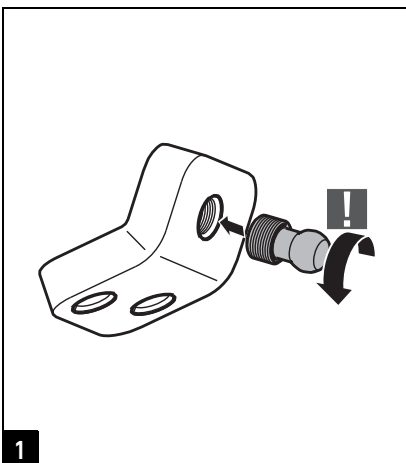
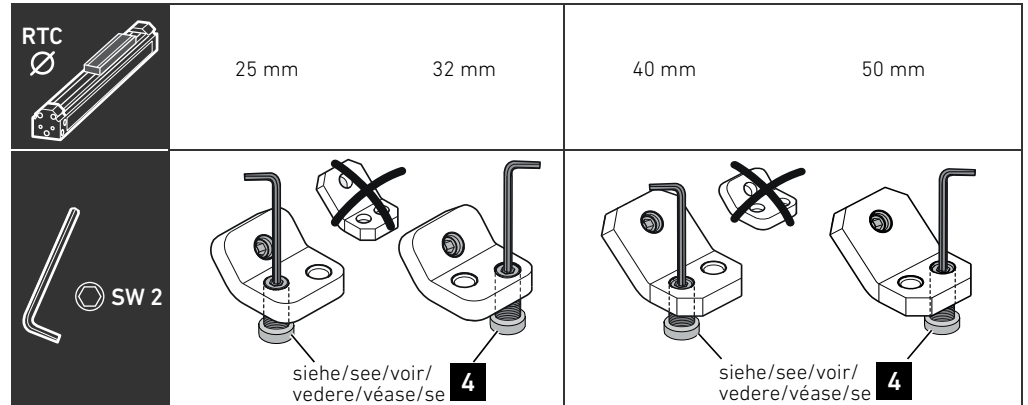


für/For/Pour/
 per/para/för RTC Ø 25 - 32 mm

für/For/Pour/
 per/para/för RTC Ø 40 - 50 mm

Einbau | Installation | Pose | Montaggio | Montaje | Montering

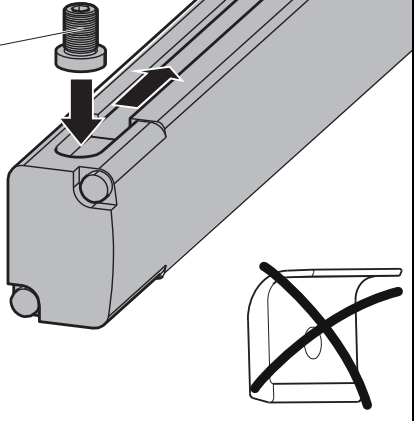
SM6-AL	CB1
Länge Length Longueur Lunghezza Longitud Längd [mm]	Befestigungswinkel Mounting bracket Équerre de fixation Squadretta Ángulo de fijación Fästvinkel
109 - 469	2 Sets/2 sets/2 jeux/ 2 kit/2 juegos/2 set
505 - 793	3 Sets/3 sets/3 jeux/ 3 kit/3 juegos/3 set
829 - 1009	4 Sets/4 sets/4 jeux/ 4 kit/4 juegos/4 set



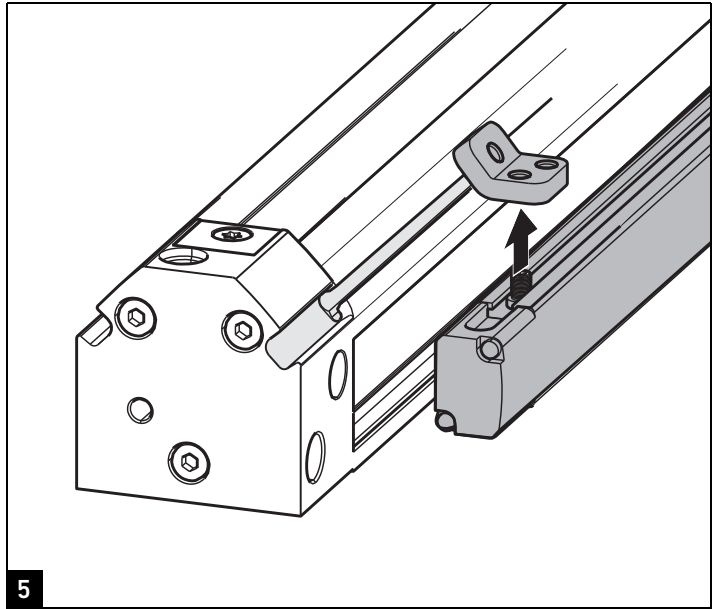
SM6-AL



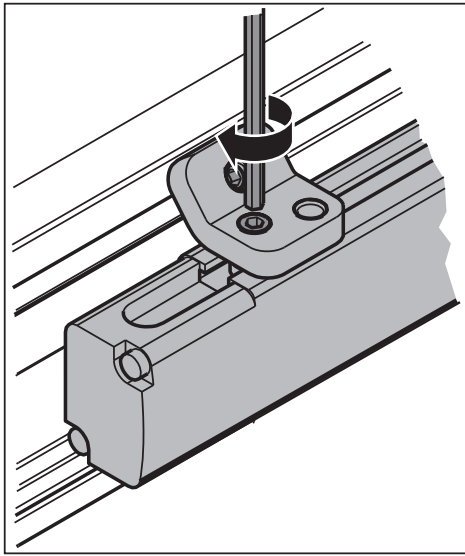
im Lieferumfang des Sensors/
Included in the
sensor's scope of delivery/
Dans la fourniture du capteur/
Nella fornitura del sensore/
en el volumen de suministro
del sensor/
Sensors leveransomfattning



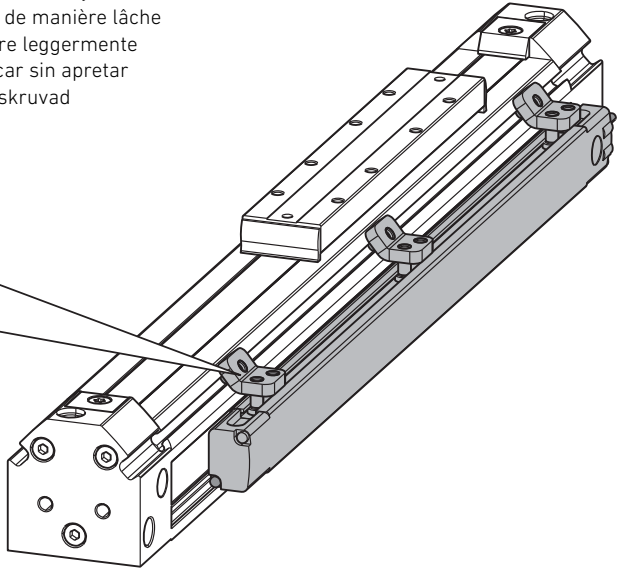
4



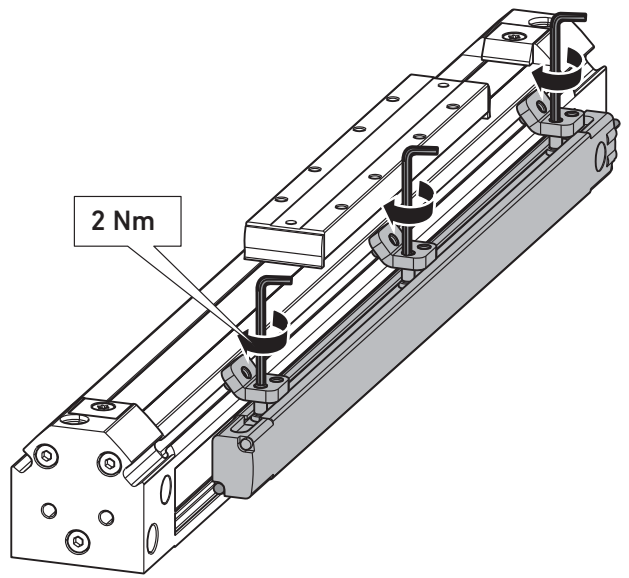
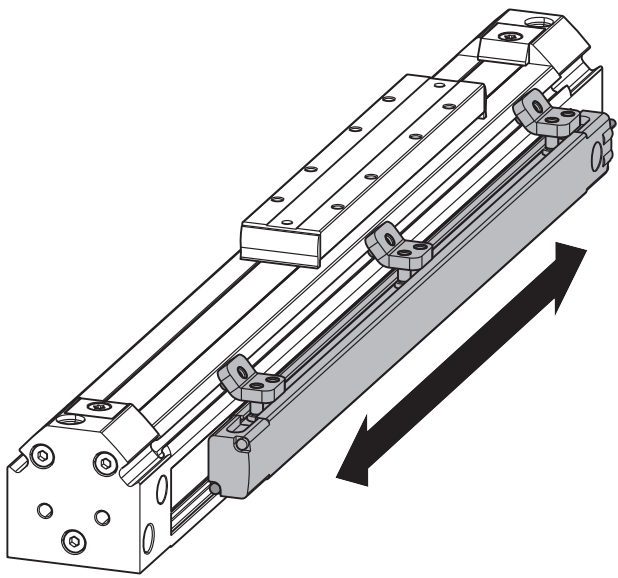
5



lose einschrauben
Screw in loosely
Visser de manière lâche
Avvitare leggermente
enroscar sin apretar
löst inskruvad



6



2 Nm

7