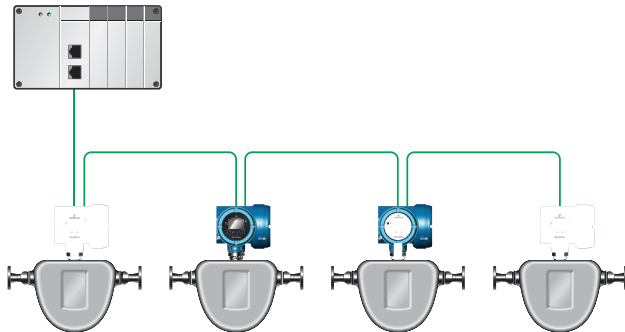
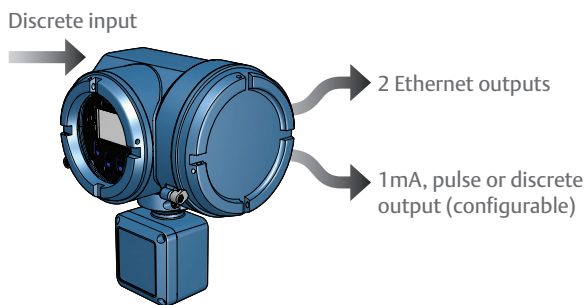
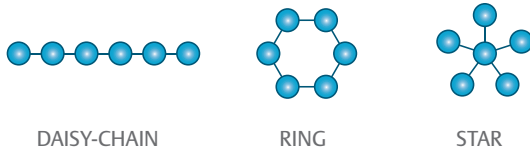


5700 TRANSMITTER WITH ETHERNET CONNECTIVITY

Take advantage of the latest in instrument and plant connectivity such as Ethernet networks and systems to get faster, more insightful interaction with your process.



Now Supports Daisy Chain, Ring and Star Topologies



Configurable Output Flexibility

Taking Superior Process Insight to the Next Level

Native Ethernet Architecture and Connections

- No extra converters or adapters needed
- Dual redundant Ethernet ports allow for maximum installation flexibility for space and cost savings
- Additional configurable channel expands I/O to add a mA, pulse, discrete input, or discrete output
- STAR, DAISY-CHAIN and RING installation options

Flexible System Integration and Configuration

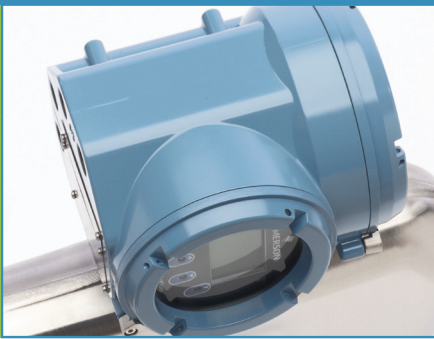
- Multiple protocol choices including EtherNet/IP, Modbus TCP and PROFINET™
- On-board Webserver for easy configuration and remote access, eliminating need for service tools
- Simplified PLC Integration

Repeatable, Reliable, Accurate Measurement

- Measurement confidence through Smart Meter Verification, Zero Verification and two-phase flow indication tools
- “Always-on” process measurement history and logging



MAKE COMMISSIONING AND INTERACTION STREAMLINED AND SIMPLE

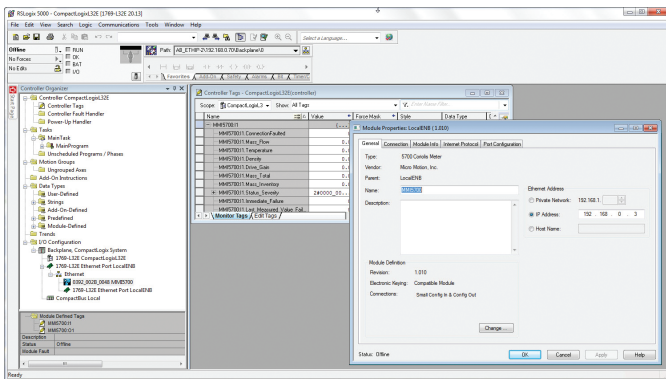


GET THE MOST OUT OF YOUR FULLY INTEGRATED ETHERNET CONNECTION

Superior Ease of Use & Integration

Easily connect to EtherNet/IP systems, like RSLogix®

- EDS (Electronic Data Sheet) file for fast access to instrument information with little to no manual setup
- AOP (Add On Profile) generation for quick and powerful configuration
- Pre-configured Input Assemblies let you select the information you need, without burdening your network with unwanted traffic
- Implicit and Explicit messaging types bring access to powerful diagnostic like Smart Meter Verification
- Capable of connecting to EtherNet/IP systems like RSLogix® and Rockwell PlantPAX®



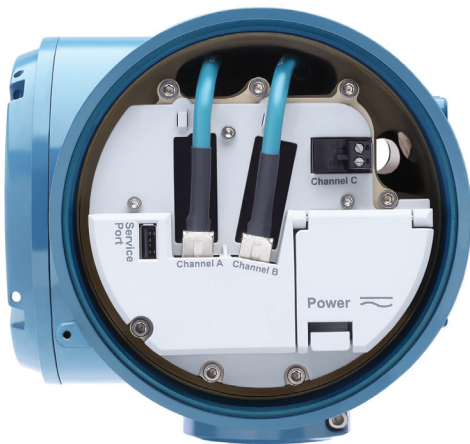
RSLogix Interface

Powerful connectivity through MODBUS TCP to many DCS and PLC systems

- Combines known and familiar Modbus communication with the speed and effectiveness of the Ethernet layer
- Enables remote, fast access through tools such as ProLink III

Robust protocol support and integration tools

- GSD (General Station Description) file embedded in device for easy integration
- Defined modules and messaging provide efficient setup
- Integration in PROFINET™ systems like Siemens STEP 7™



Dual Ethernet Ports for Advanced Connectivity

For more information,
please visit: www.micromotion.com/5700

Emerson Process Management

US/Canada T: +1 800 522 6277
T: +1 (303) 527 5200

©2016 Micro Motion, Inc. All rights reserved. PlantPAX®, RSLogix®, PROFINET™, and STEP 7™ are property of their respective owners and are not affiliated with Emerson Process Management in any way.

MC-002030 Rev A 3/2016

