

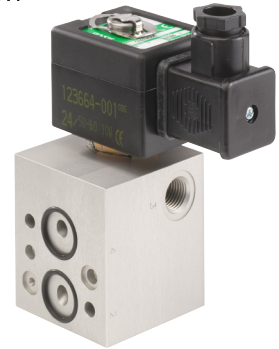
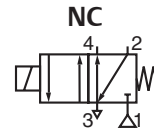
ASCO™ Solenoid Valves

direct operated, for linear actuators (VDE/VDI 3847), 1/4", direct mount

3/2
SERIES
327

Features

- The valves are certified according to IEC 61508 Functional Safety data and have SIL-3 capability (Exida certification)
- The solenoid valves with interface as per VDI/VDE 3847 are recommended for linear single acting actuators with high flow, wide pressure range and without a minimum operating pressure
- PTFE rider rings and graphite-filled PTFE seals reduce friction and eliminate sticking
- Coils used in metal enclosures have class H insulation materials
- Dedicated execution for low power
- Dedicated execution for extreme low ambient temperatures
- Peak voltage suppression diodes are standard in DC solenoids with metal enclosures
- The solenoid valves satisfy all relevant EU directives
- Manual Operators are optional including an under pressure removable type
- Environmental NACE compliant and certified vibration resistant in combination with WSCR solenoids



General

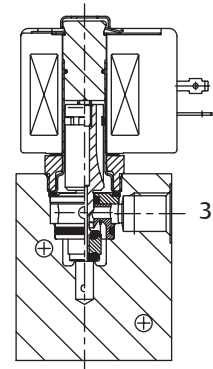
Differential pressure 0 - 10 bar [1 bar = 100kPa]
Maximum viscosity 65cST (mm²/s)
Response times 75 - 100 ms⁽¹⁾

fluids ⁽²⁾ (*)	temperature range (TS) ⁽³⁾	seal materials (*)
air, inert gas, water, oil	-20 to +120°C -40 to +40°C -60 to +60°C	FPM (fluoroelastomer) VMQ (silicone) (F)VMQ ((fluor)silicone)

⁽¹⁾ Energising time for Ex i version booster coils will be < 2 sec (NFIS, WSNFIS and WSCRIS)

⁽²⁾ Air / inert gas only for Ex i version (NFIS, WSNFIS and WSCRIS)

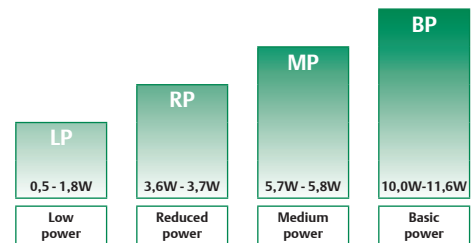
⁽³⁾ Can be limited by the operator ambient temperature range



Materials in contact with fluid

(*) Ensure that the compatibility of the fluids in contact with the materials is verified

	Aluminium body	Stainless steel body
Body	Hard anodized aluminium	AISI 316L SS
Stem	Stainless steel	Stainless steel
Core tube	Stainless steel	Stainless steel
Core and plugnut	Stainless steel	Stainless steel
Springs	Stainless steel	Stainless steel
Sealings & poppets	FPM, VMQ or (F)VMQ	FPM, VMQ or (F)VMQ
Rider ring	PTFE	PTFE



POWER LEVELS - cold electrical holding values (watt)

Specifications

pipe size	orifice size	flow coefficient Kv		operating pressure differential (bar)		power level	prefix optional solenoids										basic catalogue number	
							max. (PS)		NEMA 7&9	ATEX / IECEx				IP65				
∅	(mm)	(m ³ /h)	(l/min)	min.	air/water (*)	~/=	EF	NF	WSCR	NFIS	WSCRIS	EM	WSCREMB	PV	SC	aluminium ⁽⁴⁾	stainless steel	
NC - Normally closed, FPM sealings and poppets (minimum fluid temperature -20°C)⁽⁵⁾																		
1/4	5,7	0,45	7,5	0	10	BP	●	●	-	-	-	●	-	○	●	∅ 327B006	∅ 327B008	
1/4	5,7	0,45	7,5	0	10	MP	-	●	●	-	-	●	●	-	●	∅ 327B206	∅ 327B208	
1/4	5,7	0,45	7,5	0	10	RP	-	●	●	-	-	●	●	-	●	∅ 327B106	∅ 327B108	
1/4	5,7	0,45	7,5	0	10 ⁽⁶⁾	LP	-	●	●	-	○	-	●	-	-	∅ 327B306	∅ 327B308	
NC - Normally closed, VMQ sealings and poppets (minimum fluid temperature -40°C)⁽⁵⁾																		
1/4	5,7	0,45	7,5	0	10	BP	●	●	-	-	-	●	-	○	●	∅ 327B016	∅ 327B018	
NC - Normally closed, (F)VMQ sealings and poppets (minimum fluid temperature -50°C)⁽⁵⁾																		
1/4	5,7	0,45	7,5	0	10	MP	-	-	-	-	-	●	-	-	●	∅ 327B216	∅ 327B218	
1/4	5,7	0,45	7,5	0	10	RP	-	●	●	-	-	●	●	-	●	∅ 327B116	∅ 327B118	
1/4	5,7	0,45	7,5	0	10 ⁽⁶⁾	LP	-	●	●	○	○	-	●	-	-	∅ 327B316	∅ 327B318	
NC - Normally closed, (F)VMQ sealings and poppets (minimum fluid temperature -60°C)⁽⁵⁾																		
1/4	5,7	0,45	7,5	0	10	MP	-	●	●	-	-	-	●	-	-	∅ 327B296	∅ 327B298	

∅ Select 8 for NPT ANSI 1.20.3 or Select G for ISO G(228/1)

● Available feature ○ Available feature in DC only - Not available

⁽⁴⁾ Not in combination with WSCR solenoids

⁽⁶⁾ Air / inert gas only for Ex i version (NFIS, WSNFIS and WSCRIS)

⁽⁵⁾ For maximum ambient temperature check operator ambient temperature range on page 3

80116GB-2021/R01

Prefix table

prefix							description	power level			
1	2	3	4	5	6	7		LP	RP	MP	BP
E	F						Explosionproof - NEMA 7, 9 - Zinc plated steel conduit	-	-	-	●
E	V						Explosionproof - NEMA 7, 9 - 316 SS conduit	-	-	-	●
E	M						Waterproof IP66/67 - Metal enclosure (EN/IEC 60079-7,-18 and -31)*	-	-	●	●
		E	T				Threaded conduit/hole (M20 x 1,5)	●	●	●	●
N	F						Flameproof - Aluminium (EN/IEC 60079-1, 60079-31)*	●	●	●	●
P	V						Encapsulated epoxy moulded (EN/IEC 60079-18)*	-	-	-	○
S	C						Solenoid with spade plug connector (EN/IEC 60730)	-	●	●	●
W	P						Waterproof IP67 - Metal enclosure	-	●	●	●
N	F			I	S		I.S. with Aluminium IP66/IP67 enclosure (EN/IEC 60079-11+31)*	○	-	-	-
W	S						Waterproof IP67 - 316 SS enclosure	-	●	●	●
W	S	C	R				Flameproof 316L SS (EN/IEC 60079-0+1+31)*	●	●	●	-
W	S	C	R	E	M		Increased Safety / Encapsulated 316L SS (EN/IEC 60079-0+7+18+31)*	●	●	●	-
W	S	C	R	I	S		Intrinsically Safe 316L SS (EN/IEC 60079-0+11+31)*	○	-	-	-
W	S	E	M				Waterproof IP66/67 - 316 SS enclosure (EN/IEC 60079-7,-18 and -31)*	-	●	●	●
W	S	N	F	I	S		I.S. with 316L SS IP66/IP67 enclosure (EN/IEC 60079-11+31)*	○	-	-	-
W	S	N	F				Flameproof 316L SS (EN/IEC 60079-1, 60079-31)*	●	●	●	●
			T				Threaded conduit (1/2" NPT)	●	●	●	●
				H	C		Class H - Battery charging circuit	-	-	-	●
						X	Other special constructions	-	●	●	●

Product selection guide

STEP 1
Select basic catalogue number, including pipe thread identification letter. Refer to the specifications table on page 1.

Example: 8327B006

STEP 2
Select prefix (combination). Refer to the specifications table on page 1 and the prefix table on page 2, respect the indicated power level.

Example: NF

STEP 3
Select suffix (combination) if required. Refer to the suffix table on page 2, respect the indicated power level.

Example: MO⁽¹⁾

STEP 4
Select voltage. Refer to standard voltages on page 3.

Example: 230V / 50/60 Hz

STEP 5
Final catalogue / ordering number.

Example: NF 8327B006 MO 230V / 50/60 Hz

Suffix table

suffix					description	power level			
1	2	3	4	5		LP	RP	MP	BP
N	V				FPM (fluoroelastomer) and parts cleaned for oxygen service	●	●	●	●
V					FPM (fluoroelastomer)	●	-	-	-
	C	O			Epoxy coating on all external surfaces	●	●	●	●
			M	O	Push type manual operator ⁽¹⁾	●	●	●	●
			M	S	Screw type manual operator ⁽¹⁾⁽²⁾	●	●	●	●

- Available feature
- Available feature in DC only
- Not available
- * ATEX/IECEx valves using these solenoids are approved according to EN 13463-1 (non electrical)
- ⁽¹⁾ Under pressure removable execution (see page 6)
- ⁽²⁾ Functional Safety certification is not applicable with this feature

Options & Accessories

catalogue number	spare part kit no. ⁽³⁾ ~ / =	mounting bracket
SC ❖327B006	C123670	■
SC ❖327B008	C123670	■
SC ❖327B016	C131237	■
SC ❖327B018	C131237	■
SC ❖327B106	C132251	■
SC ❖327B108	C132251	■
SC ❖327B116	C132253	■
SC ❖327B118	C132253	■
SC ❖327B206	C132251	■
SC ❖327B208	C132251	■
SC ❖327B216	C132253	■
SC ❖327B218	C132253	■
❖327B296	C326015	■
❖327B298	C326015	■
❖327B306	C133443	■
❖327B308	C133443	■
❖327B316	C133444	■
❖327B318	C133444	■

- ❖ Select 8 for NPT ANSI 1.20.3 or select G for ISO G(228/1)
- ⁽³⁾ Standard prefixes/suffixes are also applicable to kits
- Mounting holes in body

Ordering Examples Valves:

SC	8	327B006		24V / DC
WSEMT	G	327B008	MS	24V / DC
NFET	G	327B006		230V / 50/60 Hz
WSEM	G	327B008	MO	24V / DC
NF	8	327B216		24V / DC
WSCR	G	327B208	MS	24V / DC
EM	8	327B206		230V / 50/60 Hz
PV	8	327B018	MS	24V / DC
EF	G	327H108	MS	240V / 50/60 Hz

prefix ⁽⁴⁾ — pipe thread — basic number ⁽⁴⁾ — voltage — suffix

Ordering Examples Kits:

		C131237 ⁽⁵⁾		
	WSEM	C123670	MS	
	NF	C131237		
	WSEM	C123670	MO	

prefix — basic number — suffix

⁽⁴⁾ Prefix EF and EV should always be used in conjunction with change letter H in the basic number
⁽⁵⁾ Basic kit number applies to SC coil construction

Explanation of temperature ranges of solenoid valves

Valve temperature range	The valve temperature range (TS) is determined by the selected seal material, the temperature range for proper operation of the valve and sometimes by the fluid (e.g. steam)
Operator ambient temperature range	The operator ambient temperature range is determined by the selected power level and the safety code
Total temperature range	The temperature range of the complete solenoid valve is determined by the limitations of both temperature ranges above

Electrical characteristics

Coil insulation class	H ⁽¹⁾ / F ⁽²⁾
Electrical safety	IEC 60335-1
Standard voltages	DC (=) 24V - 48V; Allowable voltage variation ± 10% AC (~) 24V - 48V - 115V - 230V/50/60Hz; Other voltages are available on request

prefix option	power ratings				operator ambient temperature range (C°) ⁽³⁾	safety code	electrical enclosure protection (EN 60529)	replacement coil / kit		type ⁽⁴⁾
	inrush	holding	hot/cold					~	=	
	(VA)	(VA)	(W)	(W)				230V/50/60Hz	24V/DC	
Basic power (BP)										
SC	10,0	10,0	10,0	9,0/11,2	-40 to +55	EN 60730	IP65, moulded	123664-017	400425-142	01
WP/WS	10,0	10,0	10,0	9,0/11,2	-40 to +55	EN 60730	IP67, steel /SS	400915-017	400913-142	03
NF/WSNF	10,0	10,0	10,0	9,0/11,2	-60 to +40/60	II2G Ex db IIC Gb T6/T5, II2D Ex tb IIIC Db	IP66/67, alu./SS	400915-017	400913-142	05
EM/WSEM	10,0	10,0	10,0	9,0/11,2	-40 to +40	II2G Ex eb mb IIC Gb T3, II2D Ex tb IIIC Db	IP66/67, steel /SS	400915-017	400913-142	03
PV	-	-	-	9,0/11,2	-40 to +55	II2G Ex mb IIC Gb T4, II2D Ex mb IIIC Db	IP67, moulded	-	- ⁽⁵⁾	07
EF/EV	12,0	12,0	12,0	9,3/11,6	-40 to +52/40	NEMA type 7 and 9	NEMA 4X	276002-058D	238714-006D	08
Medium Power (MP)										
SC	5,8	5,8	5,8	5,2/5,7	-40 to +90	EN 60730	IP65, moulded	400924-297	400923-442	02
WP/WS	5,8	5,8	5,8	5,2/5,7	-40 to +90	EN 60730	IP67, steel /SS	400921-297	400914-442	04
NF/WSNF	5,8	5,8	5,8	5,2/5,7	-60 to +60/75/90	II2G Ex db IIC Gb T6/T5/T4, II2D Ex tb IIIC Db	IP66/67, alu./SS	400921-297	400914-442	05
WSCR	5,8	5,8	5,8	5,2/5,7	-60 to +40/75	II2G Ex db IIC Gb T6/T4, II2D Ex t IIIC Db	IP66/67, SS	400962-297	400961-442	06
WSCREM	5,8	5,8	5,8	5,2/5,7	-60 to +90	II2G Ex eb mb IIC Gb T6/T4, II2D Ex tb IIIC Db	IP66/67, SS	400962-297	400961-442	06
EM/WSEM	5,8	5,8	5,8	5,2/5,7	-40 to +40/75	II2G Ex eb mb IIC Gb T5/T4, II2D Ex tb IIIC Db	IP66/67, steel /SS	400921-297	400914-442	04
Reduced Power (RP)⁽⁶⁾										
SC	3,7	3,7	3,7	3,2/3,6	-40 to +55	EN 60730	IP65, moulded	- ⁽⁶⁾	400923-042	02
WP/WS	3,7	3,7	3,7	3,2/3,6	-40 to +55	EN 60730	IP67, steel /SS	- ⁽⁶⁾	400914-242	04
NF/WSNF	3,7	3,7	3,7	3,2/3,6	-60 to +60	II2G Ex db IIC Gb T6, II2D Ex tb IIIC Db	IP66/67, alu./SS	- ⁽⁶⁾	400914-242	05
WSCR	3,7	3,7	3,7	3,2/3,6	-60 to +40/60/90	II2G Ex db IIC Gb T6/T5/T4, II2D Ex t IIIC Db	IP66/67, SS	- ⁽⁶⁾	400961-242	06
WSCREM	3,7	3,7	3,7	3,2/3,6	-60 to +40/60/90	II2G Ex eb mb IIC Gb T6/T5/T4, II2D Ex tb IIIC Db	IP66/67, SS	- ⁽⁶⁾	400961-242	06
EM/WSEM	3,7	3,7	3,7	3,2/3,6	-40 to +40/55	II2G Ex eb mb IIC Gb T6/T5, II2D Ex tb IIIC Db	IP66/67, steel /SS	- ⁽⁶⁾	400914-242	04
Low Power (LP)⁽⁷⁾										
NF/WSNF	1,85	1,85	1,85	1,5/1,8	-60 to +55	II2G Ex db IIC Gb T6, II2D Ex tb IIIC Db	IP66/67, alu./SS	- ⁽⁷⁾	400914-542	05
WSCR	1,85	1,85	1,85	1,5/1,8	-60 to +55	II2G Ex db IIC Gb T6, II2D Ex t IIIC Db	IP66/67, SS	- ⁽⁷⁾	400961-542	06
WSCREM	1,85	1,85	1,85	1,5/1,8	-60 to +55	II2G Ex eb mb IIC Gb T6, II2D Ex tb IIIC Db	IP66/67, SS	- ⁽⁷⁾	400961-542	06
NFIS ⁽⁸⁾⁽¹⁰⁾	0,5	0,5	0,5	0,5	-40 to +60	II2G Ex ia IIC T6 Gb, II2D Ex tb IIIC Db	IP66/67, alu./SS	- ⁽⁹⁾	429013-001	05
WSCRIS ⁽¹⁰⁾	0,5	0,5	0,5	0,5	-40 to +60	II2G Ex ia IIC T6 Gb, II2D Ex tb IIIC Db	IP66/67, SS	- ⁽⁹⁾	429013-001	06
WSNFIS ⁽¹⁰⁾	0,5	0,5	0,5	0,5	-40 to +60	II2G Ex ia IIC T6 Gb, II2D Ex tb IIIC Db	IP66/67, alu./SS	- ⁽⁹⁾	429013-001	05

⁽¹⁾ Coils used in metal enclosures have class H insulation materials

⁽⁴⁾ Refer to the dimensional drawings on page 4 and 5

⁽⁷⁾ Only available in 24, 48 and 110V/DC

⁽¹⁰⁾ For safety and nominal electrical parameters refer to applicable solenoid page or I&M sheet

⁽²⁾ Encapsulated (open) coils have class F insulation standard

⁽⁵⁾ Multiple coil kits are available under ATEX/IECEX, contact us

⁽⁸⁾ Shall be protected against any impact or friction, see the installation conditions given in the I&M sheet

⁽³⁾ Temperature range can be limited by sealings

⁽⁶⁾ AC limited to 127V/50/60Hz or 125V/DC

⁽⁹⁾ Only available in 24V/DC

- Not available

Electrical connections

prefix	connection
SC	Spade plug connector with cable gland EN175301-803A (ISO 4400) for cables with an outer diameter from 6 to 10 mm
WP, WS, EM, WSEM, NFIS, WSNFIS, WSCRIS	M20 plastics cable gland for cables with an outer diameter from 7 to 12 mm.
WSCREM	M20 316 SS cable gland for cables with an outer diameter from 7,2 to 11,7 mm.
NF, WSNF, WSCR, NFTIS, WSNFTIS	1/2" NPT threaded cable entry. Enclosures are supplied without cable gland
NFET, WSNFET, NFETIS, WSNFETIS	M20 x 1,5 threaded cable entry. Enclosures are supplied without cable gland

Additional options

- Ex mb/mD (prefix "PV") solenoid can be supplied with various cable lengths
- Compliance with "UL", "CSA" and other local approvals available on request
- Manual Operators are available as shown on page 6
- Class H insulation for encapsulated coils
- Material certification like EN 10204 3.1 on the 316L Stainless Steel bodies are available on request

Installation

- Multi language installation/maintenance instructions are included with each valve
- The solenoid valves can be mounted in any position without affecting operation
- Mounting according to VDI/VDE 3847 recommendations for actuators for linear movement
- **Note** that these direct mount types with (WS)NF or WSCR solenoids might not mechanically fit depending of the type of actuator. A special execution with wider body is available using TPL 27121. See also the Booster valve catalogue page 80057 for reference
- Dowel pin, bolts and gaskets are standard supplied (remove if necessary)
- The mounting holes are provided in the valve body
- Threaded pipe connection identifier is 8 = NPT (ANSI 1.20.3); G = G (ISO 228/1)
- Declarations of conformity are available on request
- Ex eb mb Prefix "EM" and Ex ia Prefix "NFIS/WSCRIS" execution: solenoid enclosure has a cable gland with integral strain relief for cables with an o.d. from 7 to 12 mm and housing is provided with an internal and external connection facility for an earthing or bonding conductor
- Ex db Prefix "NF/WSNF/WSCR" enclosure is provided with a 1/2" NPT threaded entry hole, M20 x 1,5 (prefix "ET") is optional. These are supplied without cable gland
- All DC solenoids with metal enclosure are provided with switch-off peak voltage suppression diodes
- To comply with IEC 61508 (SIL) the valves must be provided with a specific exhaust protector (as shown on page 6) or equal

Dimensions (mm), Weight (kg)



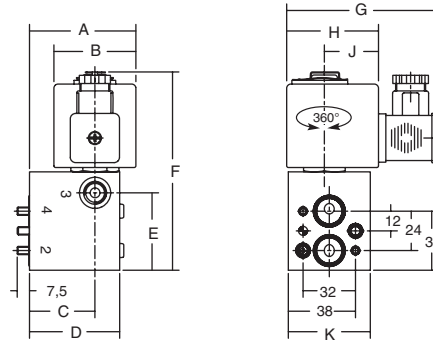
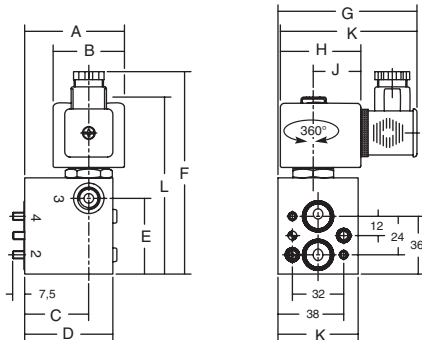
TYPE 01:
Epoxy moulded
SC:: IEC 60335-1 / ISO 4400



TYPE 02:
Epoxy moulded
SC: IEC 60335-1 / ISO 4400

327B006 / B008 / B016 / B018

327B106 / B108 / B116 / B118 / B206 / B208 / B216 / B218



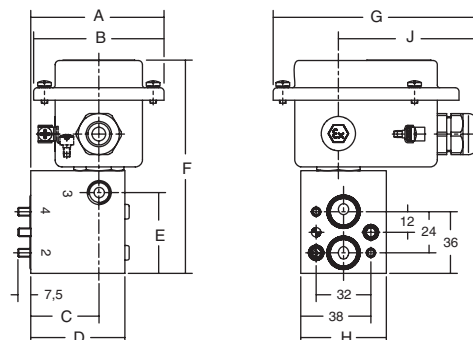
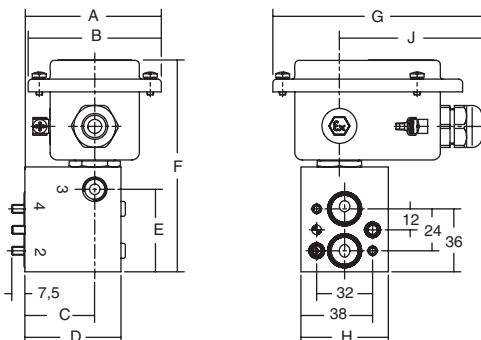
TYPE 03:
Metal, epoxy coated / AISI316SS
WP / WS: IEC 60335-1
EM / WSEM: EN/IEC 60079-7+18+31



TYPE 04:
Metal, epoxy coated / AISI316SS
WP / WS: IEC 60335-1
EM / WSEM: EN/IEC 60079-7+18+31

327B006 / B008 / B016 / B018

327B106 / B108 / B116 / B118 / B206 / B208 / B216 / B218

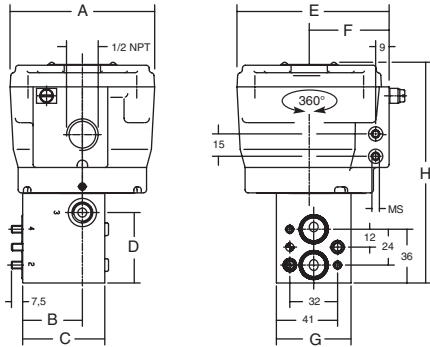


Dimensions (mm), Weight (kg) 



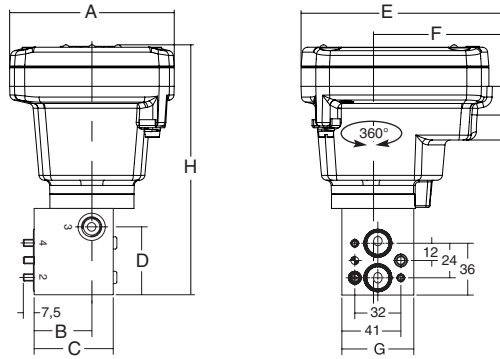
TYPE 05:
Aluminium, epoxy coated / AISI 316L SS
NF/WSNF : EN/IEC 60079-1, 60079-31
NFIS/WSNFIS : EN/IEC 60079-11, 60079-31

327B006 / B008 / B016 / B018 / B106 / B108 / B116 / B118 / B206 / B208 / B216 / B218 / B296 / B298 / B306 / B308 / B316 / B318



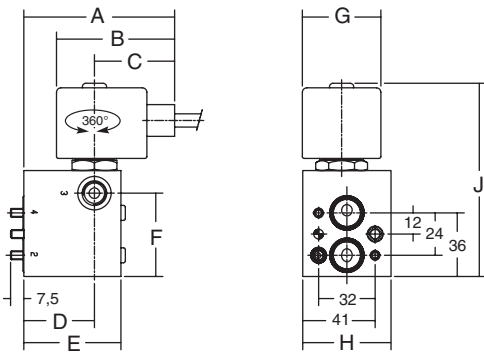
TYPE 06:
AISI 316L SS
WSCR : EN/IEC 60079-0, 60079-1, 60079-31
WSCREM : EN/IEC 60079-0, 60079-7, 60079-18, EN/IEC 60079-31
WSCRIS : EN/IEC 60079-0, 60079-11, 60079-31

327B108 / B118 / B208 / B218 / B298 / B308 / B318



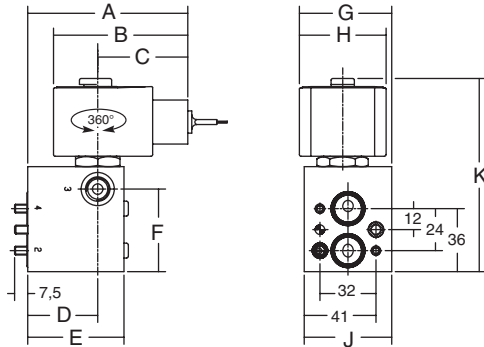
TYPE 07:
Epoxy encapsulated
PV: EN/IEC 60079-18

327B006 / B008 / B016 / B018



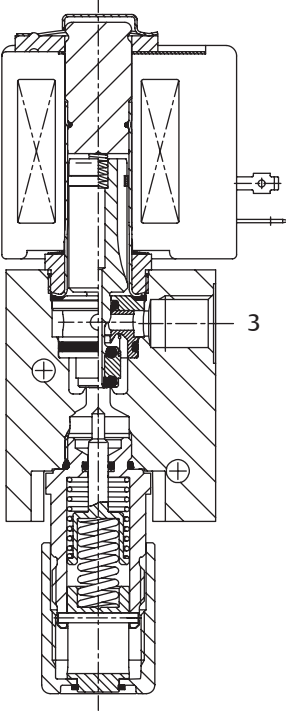
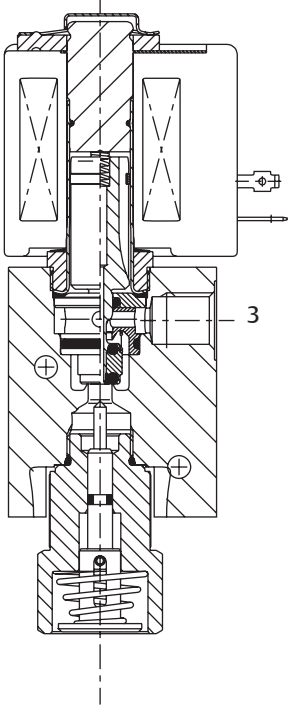
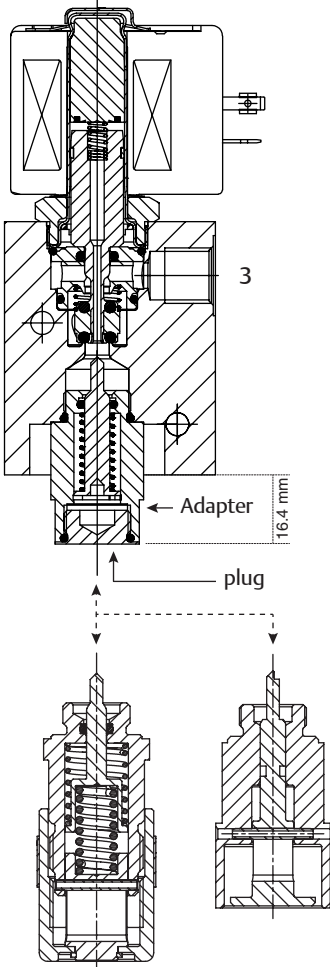
TYPE 08:
Epoxy encapsulated
EF and EV: NEMA type 7, 9 / ICS-6 ANSI

327H006 / H008 / H016 / H018

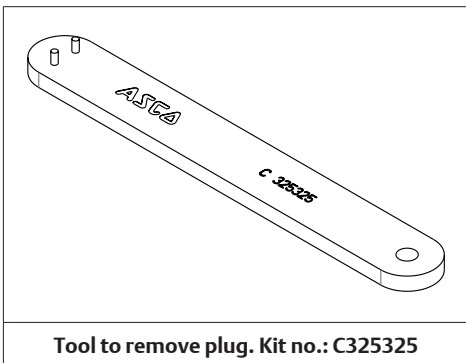


type	prefix/option	power level	A	B	C	D	E	F	G	H	J	K	I	weight
01	SC	BP	62	45	40	55	47	126	85	50	30	50	-	0,95 kg
02	SC	MP/RP	65	50	40	55	47	121	87	56	33	50	-	1,05 kg
03	WP, WS, EM, WSEM	BP	79	77	40	55	47	121	120	50	81	-	-	1,00 kg
04	WP, WS, EM, WSEM	MP/RP	79	77	40	55	47	124	120	50	81	-	-	1,00 kg
05	NF, WSNF	BP/MP/RP	97	40	55	47	102	54	50	148	-	-	-	2,60 kg
05	NF, WSNF, NFIS, WSNFIS	LP	97	40	55	47	102	54	50	158	-	-	-	2,70 kg
06	WSCR, WSCREM, WSCRIS	MP/RP/LP	92	40	55	47	116	75	50	160	-	-	-	3,10 kg
07	PV	BP	85	67	45	40	55	47	45	50	109	-	-	1,05 kg
08	EF, EV	BP	91	77	51	40	55	47	53	50	50	110	-	1,05 kg

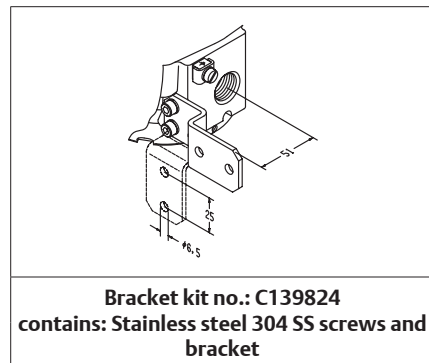
Sectional drawings

Manual Operator (MS*)	Manual Operator (MO)	Removable Manual Operator (MS*) / (MO)
		
Suffix MS*	Suffix MO	

Removable MO / MS tool



NF/WSNF
Mounting bracket

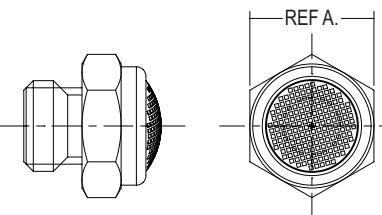


Mounted adapter use TPL 26710

Removable Manual Operator	Kit number
MS type	C325324
MO type	C325323
Adapter type	C325410

* MS type is not covered in the Functional Safety (SIL) certification

Exhaust protector

pipe size	thread	part number		mesh\filtering	wrench size (REF A.)	
		brass nickel plated	316L stainless steel			
1/4	ISO 228/1	131875-001	131875-014	100 - 200 μm	16 mm	
	NPT	131875-002	131875-015			