

Specifications

For other materials or modifications, please consult TESCOM.

OPERATING PARAMETERS

Pressure rating per criteria of ANSI/ASME B31.3

Maximum Inlet Pressure

15,000, 20,000 psig / 1034, 1379 bar

Maximum Outlet Pressure

300-15,000 psig / 20.7-1034 bar

300-20,000 psig / 20.7-1379 bar

Design Proof Pressure

150% maximum rated

Leakage

2 drops/min. at 150 S.U.S and 2500 psig / 172 bar

Operating Temperature

-15°F to 165°F / -26°C to 74°C

Flow Capacity

$C_v = 0.06, 0.12$

MEDIA CONTACT MATERIALS

Body

316 Stainless Steel, Nitronic 60

Seat, Main Valve, Vent

17-4 PH Stainless Steel

O-Ring

Nitrile, Buna-N, FKM (Viton®-A)

Back-up Ring

PCTFE

Remaining Parts

300 Series Stainless Steel, 17-4 PH Stainless Steel and Nitronic 60

OTHER

Cleaning

CGA 4.1 and ASTM G93

Weight (approximate)

20 lbs / 9.1 kg

Viton® is a registered trademark of E.I. du Pont de Nemours and Company.



TESCOM 50-2200 Series pressure reducing regulator is specifically designed for extended life operation in high pressure hydraulic applications.

Applications

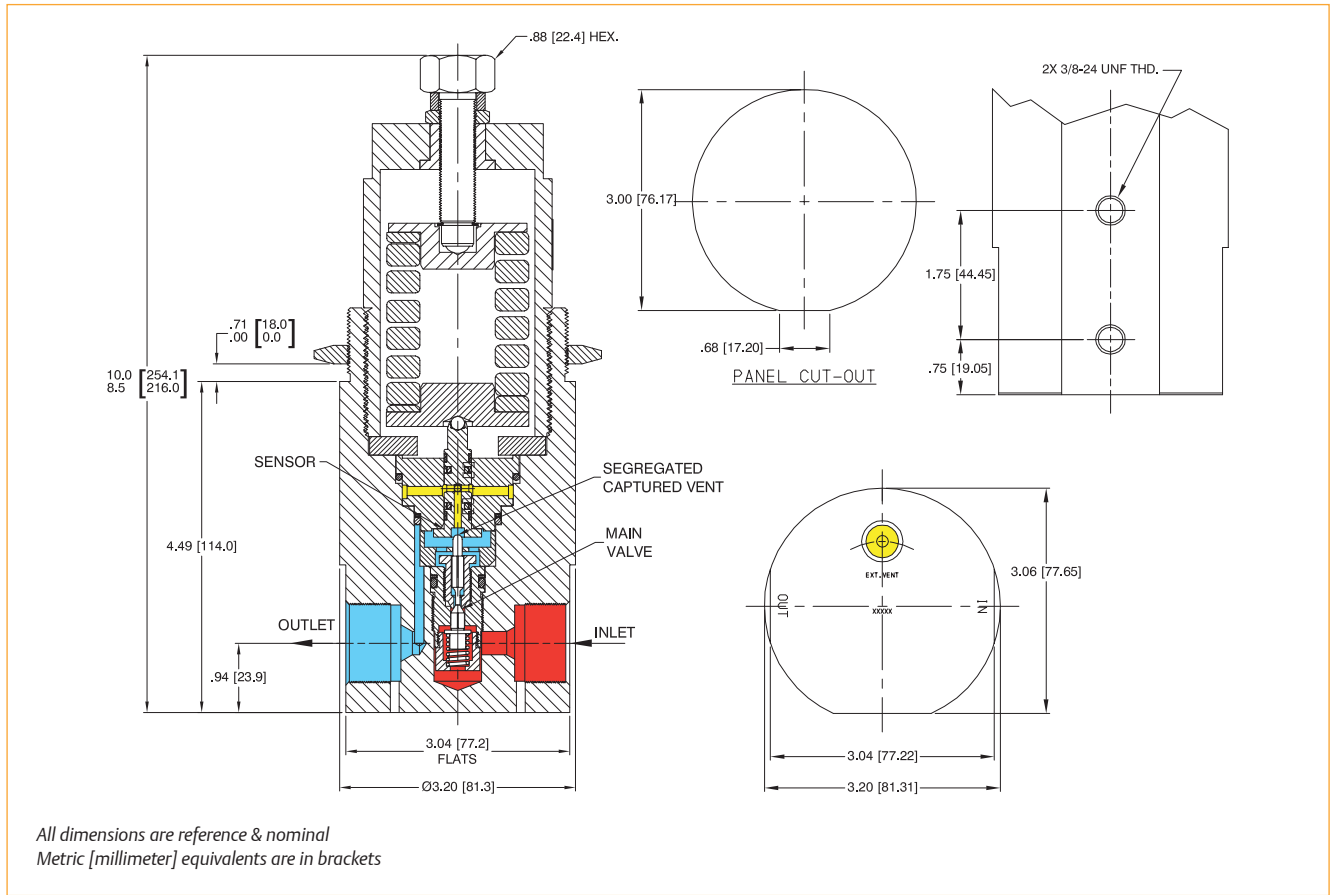
- Wellhead control panels
- Subsea valve actuation
- Chemical injection
- Hydraulic Power Units (HPU)

Features and Benefits

- New stem and seal design extends service life in crucial high pressure water-based hydraulic applications
- Specially designed seat and valve for excellent operation in hydraulic applications
- Segregated captured venting
- Tapered poppet design for better pressure control

50-2200 SERIES


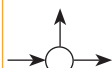
50-2200 Series Regulator Drawing



50-2200 Series Regulator Part Number Selector

Repair Kits, Accessories & Modifications may be available for this product. Please contact TESCOM for more information.

Example for selecting a part number:

BASIC SERIES	MAXIMUM INLET PRESSURE ¹ (BODY MATERIAL)	MAXIMUM OUTLET PRESSURE	SOFT GOODS MATERIAL			INLET AND OUTLET PORT TYPE (VENT PORT)	INLET AND OUTLET PORT SIZE	FLOW CAPACITY	MAIN VALVE AND VENT SEAT	GAUGE PORT OPTIONS
			DYNAMIC ROTO-SEALS	STATIC O-RINGS	BACK-UP RINGS					
50-22	9 – 15,000 psig 1034 bar (316 SST) N – 20,000 psig 1379 bar (Nitronic 60)	0 – 300-15,000 psig 20.7-1034 bar 9 – 300-20,000 psig 20.7-1379 bar	D – Nitrile, Buna-N T – FKM (Viton®-A)	Nitrile, Buna-N FKM (Viton®-A)	PCTFE PCTFE	4 – High Pressure (1/4" NPTF) 6 – Medium Pressure (1/4" NPTF)	4 – 1/4" 6 – 3/8" 9 – 9/16"	2 – $C_V = 0.06$ 3 – $C_V = 0.12$	5 – 17-4 Stainless Steel	0 – No gauge ports  5 – One outlet gauge at 90° 
1. Pressure at which regulator is used must be compatible with the pressure rating of the regulator and port size/type provided.										