

# AVENTICS™ PROPORTIONAL VALVES SENTRONIC<sup>LP</sup> IO-LINK CLASS A WITH DIGITAL PRESSURE CONTROL

## FEATURES

- SENTRONIC<sup>LP</sup> stands for:
  - Low power consumption (3,8 W)
  - Digital communication and control
  - Display (integrated) with function buttons (option)
  - Pilot operated proportional valve
- IO-Link CLASS A
- Other functions are valve diagnostics, parameter setting and maintenance.
- The valve's outlet pressure can also be adjusted over the integrated display and the function buttons.
- RoHS, REACH compliant.

## GENERAL

<b>Fluids</b>	Air or neutral gas filtered, according to ISO 8573-1:2010 [7:4:4]
<b>Max. allowable pressure (MAP)</b>	At least 1 bar above the maximum outlet pressure
<b>Pressure range</b>	0-3 bar, 0-6 bar, 0-10 bar
<b>Fluid temperature</b>	0°C to +60°C
<b>Ambient temperature</b>	0°C to +50°C
<b>Flow (Qv at 6 bar)</b>	470 NI/min - 5200 NI/min
<b>Setpoint</b>	Digital setpoint in steps of 1 mbar 0-10000 = 0-10 bar
<b>Hysteresis</b>	1,5% of span
<b>Linearity</b>	1,5% of span
<b>Repeatability</b>	1,5% of span
<b>Minimum setpoint</b>	0.5% of span with shutoff function
<b>Minimum outlet pressure</b>	1% of span
<b>Failsafe behaviour</b>	Pressure hold on loss of power, without control

## IO-LINK

<b>Protocol Version</b>	Specification V1.1
<b>Baudrate</b>	COM3 (230,4 kBaud)
<b>Minimum cycle time</b>	0,5 ms
<b>Process data</b>	2 Byte IN, 2 Byte OUT
<b>Port type</b>	Class A

## CONSTRUCTION

<b>Body</b>	Aluminium
<b>Internal parts</b>	POM (polyacetal)
<b>Seals</b>	NBR (nitrile)



## ELECTRICAL CHARACTERISTICS

nominal diameter DN	stabilised voltage *	max. power (W)	max. current (mA)	insulation class	degree of protection	electrical connection
4, 8, 15	24VDC	3,8 W (< 1 W compensate)	160	H	IP 65	5-pin M12 connector (to be ordered separately)

\* Max. ripple: 10 %

## SPECIFICATIONS

pipe size	orifice size (mm)	coefficient Kv (Nm <sup>3</sup> /h)	flow
			at 6 bar (NI/min)
G/NPT 1/4	4	0,43	470
G/NPT 3/8	8	1,2	1300
G/NPT 1/2	15	4,8	5200

Test conditions according to ISO 8778: temperature: 20 °C, relative inlet pressure: 6 bar, relative outlet pressure: 5 bar

01600GB-2021/R01  
Availability, design and specifications are subject to change without notice. All rights reserved.



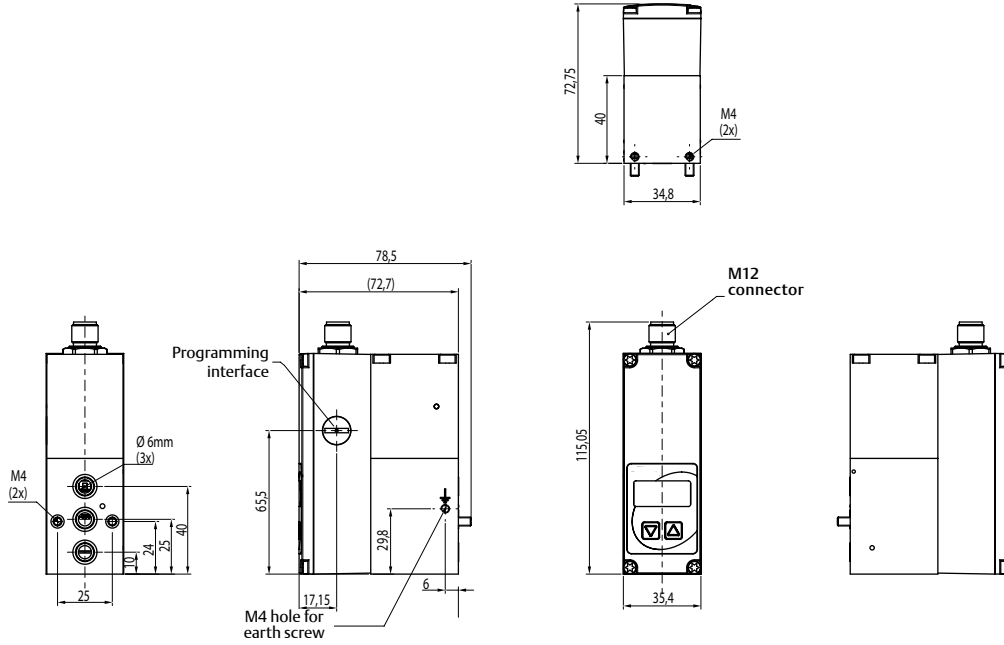
# AVENTICS™ PROPORTIONAL VALVES SENTRONIC<sup>LP</sup> IO-LINK CLASS A WITH DIGITAL PRESSURE CONTROL

## DIMENSIONS (mm), WEIGHT (kg)

### Subbase version

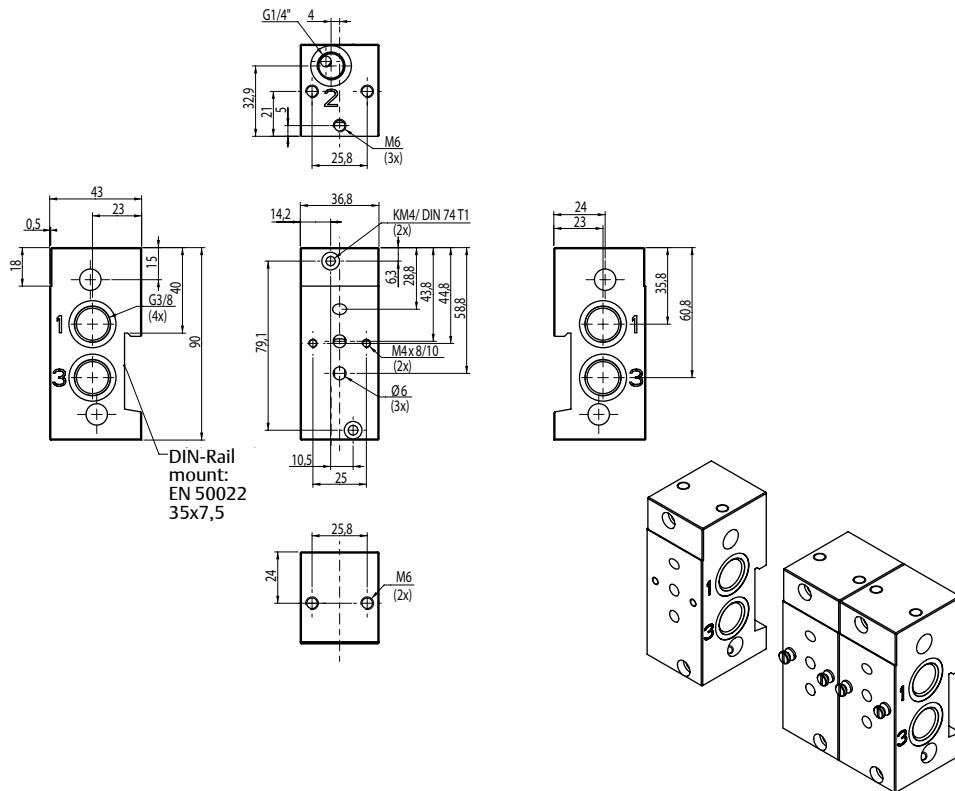
**DN 4**

Weight: 0,49 kg




**DN 4**

### Joinable subbase Weight: 0,3 kg

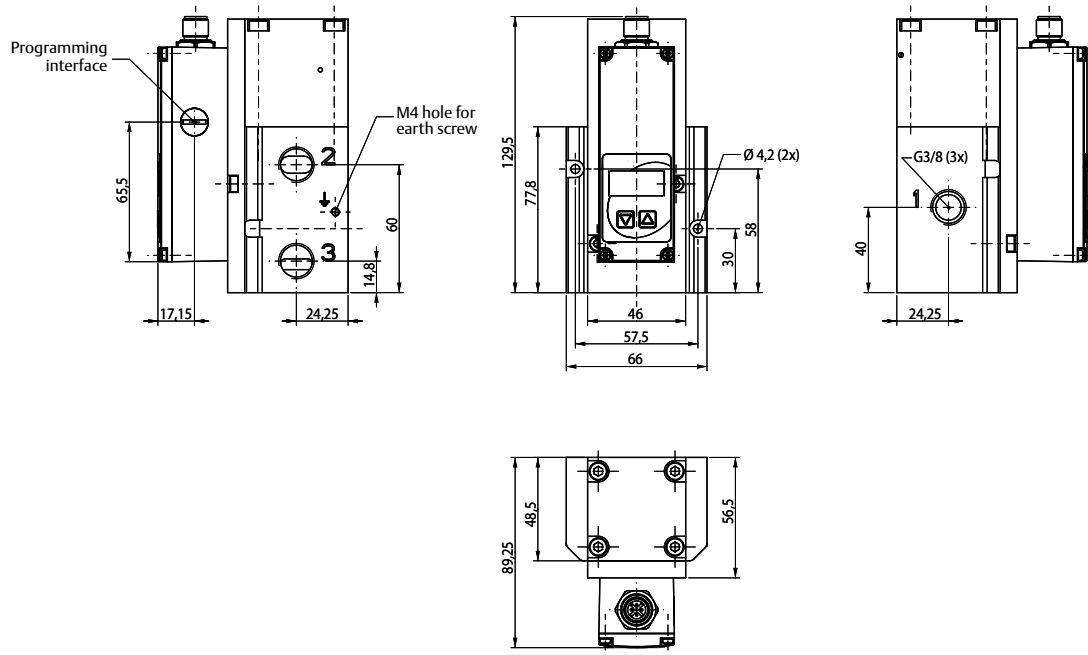


01600CB-2021/R01  
Availability, design and specifications are subject to change without notice. All rights reserved.

**DIMENSIONS (mm), WEIGHT (kg)** 

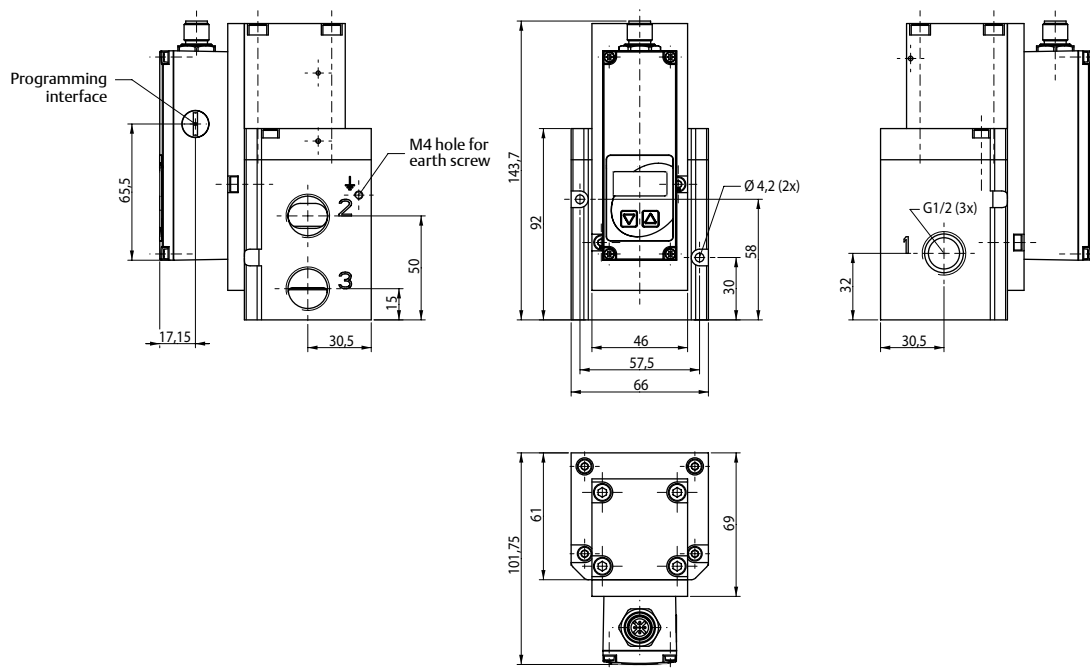
**DN 8**

Weight: 0,93 kg

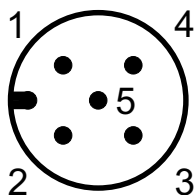


**DN 15**

Weight: 1,33 kg



**PIN ASSIGNMENT IO-IINK INTERFACE**



Pin	Description
1	24V voltage supply
2	not connected
3	Supply ground
4	C/Q
5	not connected
Body	EMC shield

**ACCESSORIES**

description	catalogue number
Connection cable 5m, straight socket, open cable end	N15183710000000
Connection cable 10m, straight socket, open cable end	N15183840000000
Connection cable 5m, straight socket on straight connector	N15184490000000
Connection cable 10m, straight socket on straight connector	N15184520000000
Joinable subbases for 617 DN4 with pressure supply G 3/8"	N50781800000000

01600 CB-2021/R01  
Availability, design and specifications are subject to change without notice. All rights reserved.