

ISO 15552, series PRA



AVENTICS™ ISO 15552, series PRA



Profile cylinder ISO 15552, Series PRA with SM6

- with distance measuring sensor, measurement range 32 ... 256 mm
- double-acting
- with magnetic piston



Standards	ISO 15552
Compressed air connection	Internal thread
Working pressure min./max.	2 ... 10 bar
Ambient temperature min./max.	-20 ... 70 °C
Medium temperature min./max.	-20 ... 80 °C
Medium	Compressed air
Max. particle size	50 µm
Oil content of compressed air	0 ... 5 mg/m ³
Pressure for determining piston forces	6.3 bar

Technical information

The pressure dew point must be at least 15 °C under ambient and medium temperature and may not exceed 3 °C .

The oil content of compressed air must remain constant during the life cycle.

Use only the approved oils from AVENTICS. Further information can be found in the "Technical information" document (available in the MediaCentre).

For additional technical data please see the relevant data sheets for the standard version.

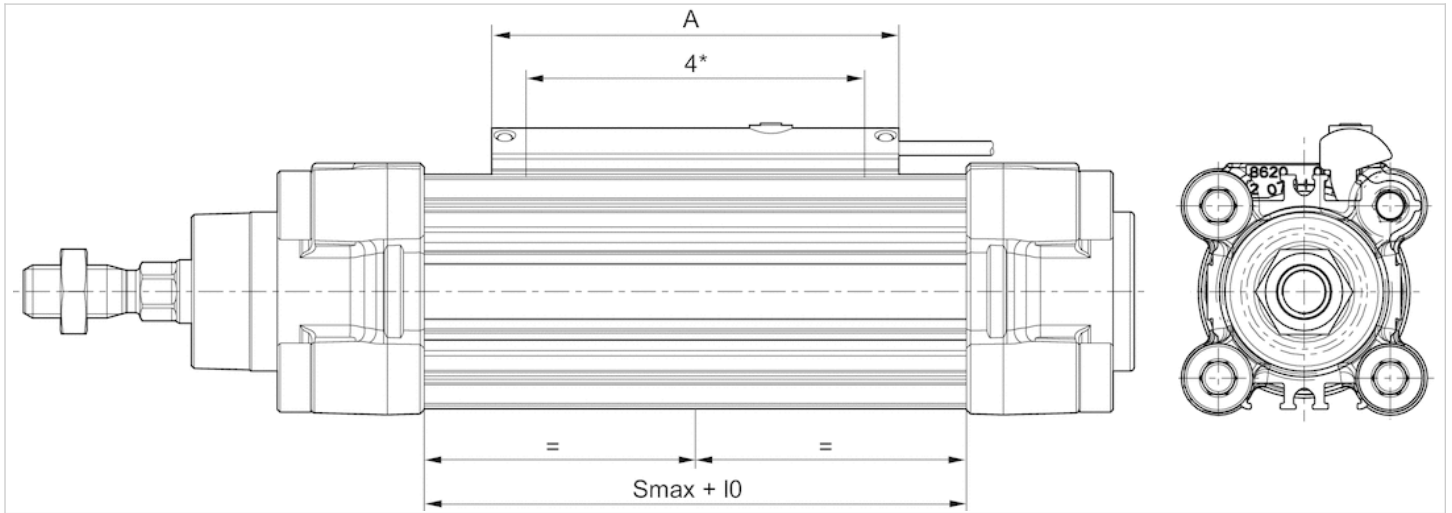
The PRA cylinder is available in our Internet configurator. Please order the distance measuring sensor separately. It can be found under the accessories for this series. Contact your nearest AVENTICS sales office if you have any questions.

Technical information

Material	
Cylinder tube	Aluminum, anodized
Piston rod	Stainless steel
Front cover	Die-cast aluminum
End cover	Die-cast aluminum
Seal	Polyurethane
Nut for piston rod	Steel, galvanized
Scraper	Polyurethane

Dimensions

Dimensions



A = sensor length
 4* = Measurement range
 S = stroke
 I0 = zero stroke in mm

Dimensions

Stroke ranges (mm)											
I0 = zero stroke in mm				Ø32				Ø40			
				38,5				38,5			
				Stroke				Stroke			
Measurement range		A = sensor length		Min.		Max.		Min.		Max.	
32		45		7		31		7		31	
64		77		39		63		39		63	
96		109		71		95		71		95	
128		141		103		127		103		127	
160		173		135		159		135		159	
192		205		167		191		167		191	
224		237		199		223		199		223	
256		269		231		255		231		255	

Ø50		Ø63		Ø80		Ø100		Ø125	
44		44,5		51,5		53,5		52,3	
Stroke		Stroke		Stroke		Stroke		Stroke	
Min.		Min.		Min.		Min.		Min.	
Max.		Max.		Max.		Max.		Max.	
2		1		0		0		0	
31		31		31		31		31	
34		33		26		24		26	
63		63		63		63		63	
66		65		58		56		58	
95		95		95		95		95	
98		97		90		88		90	
127		127		127		127		127	
130		129		122		120		122	
159		159		159		159		159	
162		161		154		152		154	
191		191		191		191		191	

194	223	193	223	184	223	184	223	186	223
226	255	225	255	218	255	216	255	218	255

Profile cylinder ISO 15552, Series PRA with SM6-AL

- with distance measuring sensor, measurement range 107 - 1007 mm
- double-acting
- with magnetic piston



Standards	ISO 15552
Compressed air connection	Internal thread
Working pressure min./max.	2 ... 10 bar
Ambient temperature min./max.	-20 ... 70 °C
Medium temperature min./max.	-20 ... 80 °C
Medium	Compressed air
Max. particle size	50 µm
Oil content of compressed air	0 ... 5 mg/m ³
Pressure for determining piston forces	6.3 bar

Technical information

The pressure dew point must be at least 15 °C under ambient and medium temperature and may not exceed 3 °C .

The oil content of compressed air must remain constant during the life cycle.

Use only the approved oils from AVENTICS. Further information can be found in the "Technical information" document (available in the MediaCentre).

For additional technical data please see the relevant data sheets for the standard version.

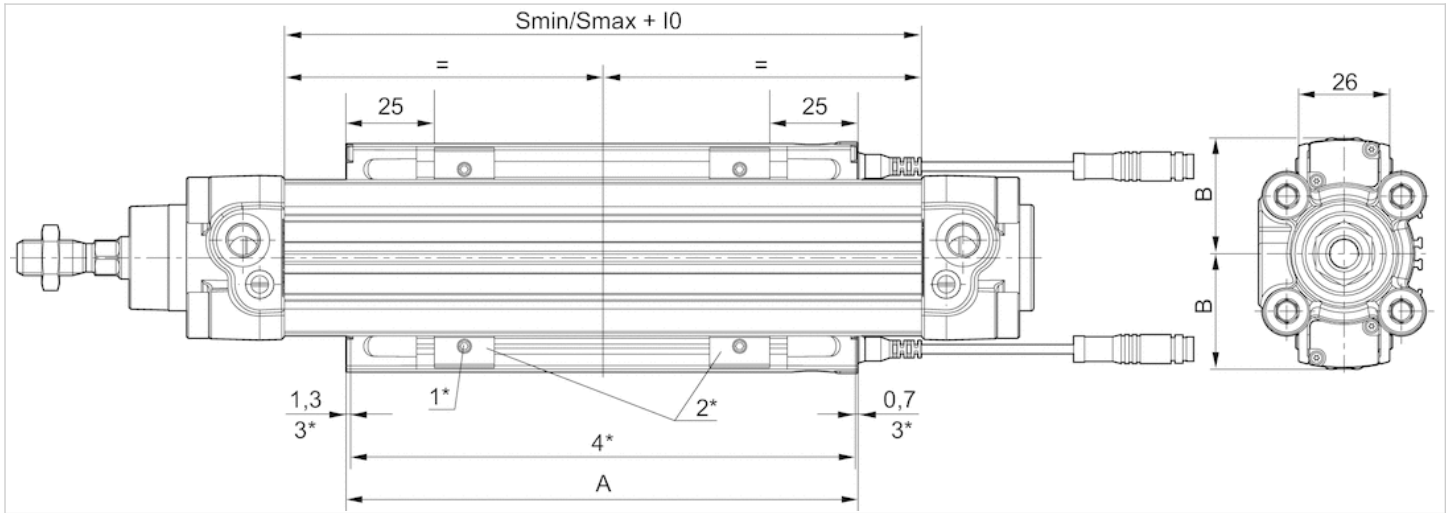
The PRA cylinder is available in our Internet configurator. Please order the distance measuring sensor separately. It can be found under the accessories for this series. Contact your nearest AVENTICS sales office if you have any questions.

Technical information

Material	
Cylinder tube	Aluminum, anodized
Piston rod	Stainless steel
Front cover	Die-cast aluminum
End cover	Die-cast aluminum
Seal	Polyurethane
Nut for piston rod	Steel, galvanized
Scraper	Polyurethane

Dimensions

Dimensions



- I0 = zero stroke in mm
- A = sensor length
- S = stroke
- 1* = hexagon socket WS2
- 2* = sensor clamping fixture
- 3* = blind zone
- 4* = measurement range

Dimensions

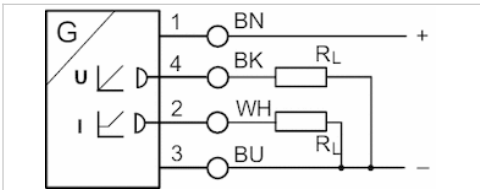
Stroke ranges (mm)					
		Ø32		Ø40	
I0 = zero stroke in mm		38,5		38,5	
Dimension B [mm]		33		37	
		Stroke		Stroke	
Measurement range	A = sensor length	Min.	Max.	Min.	Max.
107	109	71	106	71	106
143	145	107	142	107	142
179	181	143	178	143	178
215	217	179	214	179	214
251	253	215	250	215	250
287	289	251	286	251	286
323	325	287	322	287	322
359	361	323	358	323	358
395	397	359	394	359	394
431	433	395	430	395	430
467	469	431	466	431	466
503	505	467	502	467	502
539	541	503	538	503	538
575	577	539	574	539	574
611	613	575	610	575	610
647	649	611	646	611	646
683	685	647	682	647	682

Stroke ranges (mm)					
719	721	683	718	683	718
755	757	719	754	719	754
791	793	755	790	755	790
827	829	791	826	791	826
863	865	827	862	827	862
899	901	863	898	863	898
935	937	899	934	899	934
971	973	935	970	935	970
1007	1009	971	1006	971	1006

Ø50		Ø63		Ø80		Ø100		Ø125	
Min.	Max.	Min.	Max.	Min.	Max.	Min.	Max.	Min.	Max.
44	106	44,5	106	51,5	106	53,5	106	52,3	106
42	142	49	142	58	142	69	142	82	142
Stroke	Stroke	Stroke	Stroke	Stroke	Stroke	Stroke	Stroke	Stroke	Stroke
66	178	65	178	58	178	56	178	58	178
102	214	101	214	94	214	92	214	94	214
138	250	137	250	130	250	128	250	130	250
174	286	173	286	166	286	164	286	166	286
210	322	209	322	202	322	200	322	202	322
246	358	245	358	238	358	236	358	238	358
282	394	281	394	274	394	272	394	274	394
318	430	317	430	310	430	308	430	310	430
354	466	353	466	346	466	344	466	346	466
390	502	389	502	382	502	380	502	382	502
426	538	425	538	418	538	416	538	418	538
462	574	461	574	454	574	452	574	454	574
498	610	497	610	490	610	488	610	490	610
534	646	533	646	526	646	524	646	526	646
570	682	569	682	562	682	560	682	562	682
606	718	605	718	598	718	596	718	598	718
642	754	641	754	634	754	632	754	634	754
678	790	677	790	670	790	668	790	670	790
714	826	713	826	706	826	704	826	706	826
750	862	749	862	742	862	740	862	742	862
786	898	785	898	778	898	776	898	778	898
822	934	821	934	814	934	812	934	814	934
858	970	857	970	850	970	848	970	850	970
894	1006	893	1006	886	1006	884	1006	886	1006
930		929		922		920		922	
966		965		958		956		958	

Sensors, Series SM6

- 6 mm groove
- with cable
- without wire end ferrule, tin-plated, 4-pin
- with distance measuring sensor, measurement range 32 ... 256 mm
- Analog
- Direct mounting for series PRA, PRE, CCI, KPZ, SSI, GPC, CVI
- Indirect mounting for series TRB, ITS, 167, MNI, ICM, TRR



Certificates	cULus
Ambient temperature min./max.	-20 ... 70 °C
Protection class	IP67
Output signal	0 - 10 V DC, 4 - 20 mA
Quiescent current (without load)	25 mA
Maximum load (analog current output)	500 Ω
Residual ripple	≤ 10 %
sampling interval	1 ms
Resolution max. measuring range	0,05 mm
Repetitive precision max. measuring range	0.1 mm
Linearity deviation	0,3 mm
Sampling speed	3 m/s
Display	LED
LED status display	Yellow
Vibration resistance	10 - 55 Hz, 1 mm
Shock resistance	30 g / 11 ms
Cable length L	2 m

Technical data

Part No.	for	Type of contact	Cable length L
R412010141	PRA, PRE, CCI, KPZ, SSI, GPC, CVI	Analog	2 m
R412010143	PRA, PRE, CCI, KPZ, SSI, GPC, CVI	Analog	2 m
R412010262	PRA, PRE, CCI, KPZ, SSI, GPC, CVI	Analog	2 m
R412010264	PRA, PRE, CCI, KPZ, SSI, GPC, CVI	Analog	2 m
R412010411	PRA, PRE, CCI, KPZ, SSI, GPC, CVI	Analog	2 m
R412010413	PRA, PRE, CCI, KPZ, SSI, GPC, CVI	Analog	2 m
R412010415	PRA, PRE, CCI, KPZ, SSI, GPC, CVI	Analog	2 m
R412010417	PRA, PRE, CCI, KPZ, SSI, GPC, CVI	Analog	2 m

Part No.	max. measuring range	Overall length Sensor A
R412010141	32 mm	45 mm
R412010143	64 mm	77 mm
R412010262	96 mm	109 mm
R412010264	128 mm	141 mm
R412010411	160 mm	173 mm
R412010413	192 mm	205 mm

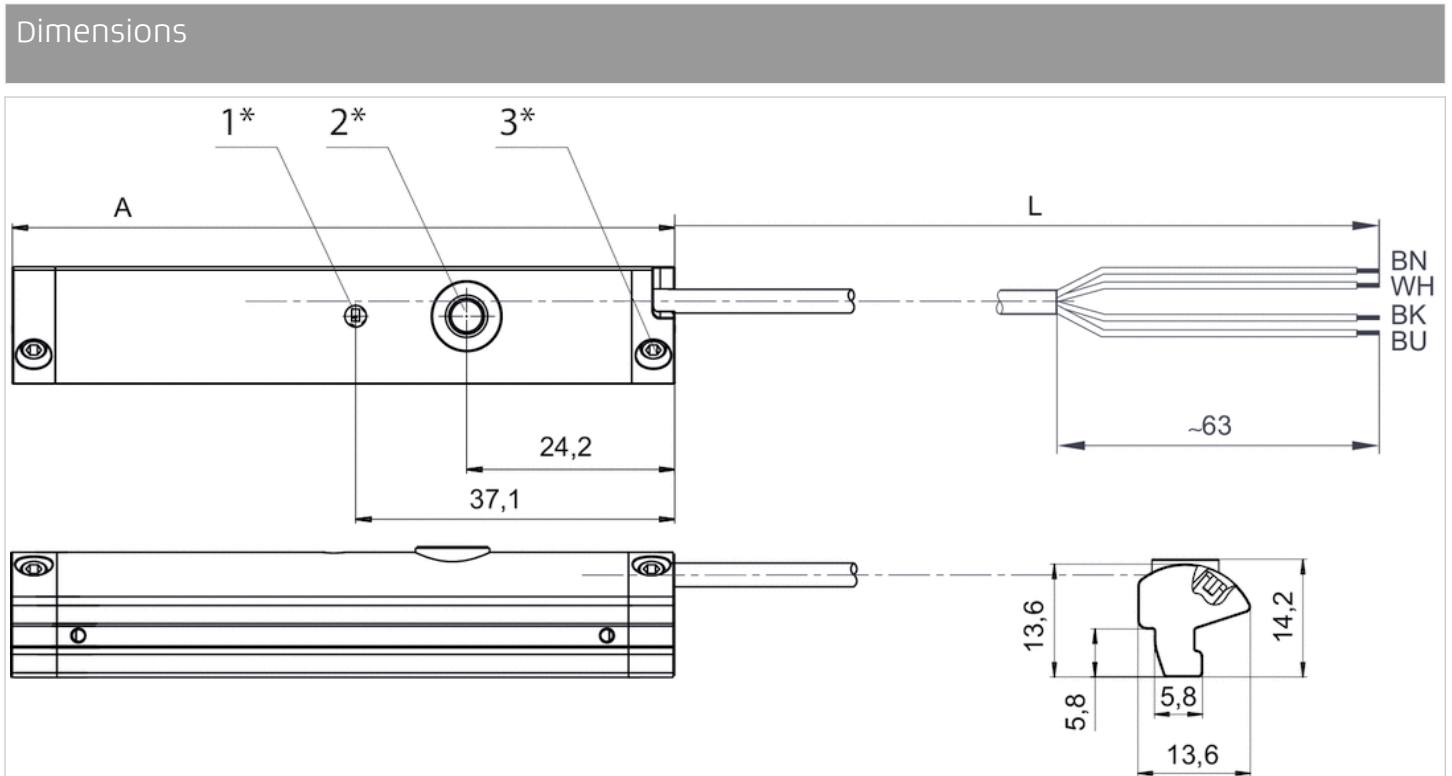
Part No.	max. measuring range	Overall length Sensor A
R412010415	224 mm	237 mm
R412010417	256 mm	269 mm

Part No.	Version
R412010141	short circuit resistant Protected against polarity reversal Overload protection
R412010143	short circuit resistant Protected against polarity reversal Overload protection
R412010262	short circuit resistant Protected against polarity reversal Overload protection
R412010264	short circuit resistant Protected against polarity reversal Overload protection
R412010411	short circuit resistant Protected against polarity reversal Overload protection
R412010413	short circuit resistant Protected against polarity reversal Overload protection
R412010415	short circuit resistant Protected against polarity reversal Overload protection
R412010417	short circuit resistant Protected against polarity reversal Overload protection

Technical information

Material	
Housing	Polyamide fiber-glass reinforced
Cable sheath	Polyurethane

Dimensions

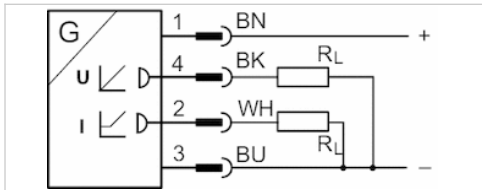


- 1* = LED 2* = teach button 3* = threaded pin M3x11
- L = cable length
- (1) BN=brown
- (2) WH=white
- (3) BU=blue

(4) BK=black
A = sensor length

Sensors, Series SM6

- 6 mm groove
- with cable
- Plug, M8x1, 4-pin, with knurled screw
- with distance measuring sensor, measurement range 32 ... 256 mm
- Analog
- Direct mounting for series PRA, PRE, CCI, KPZ, SSI, GPC, CVI
- Indirect mounting for series TRB, ITS, 167, MNI, ICM, TRR



Certificates	cULus
Ambient temperature min./max.	-20 ... 70 °C
Protection class	IP67
Output signal	0 - 10 V DC, 4 - 20 mA
Quiescent current (without load)	25 mA
Min./max. DC operating voltage	15 ... 30 V DC
sampling interval	1 ms
Resolution max. measuring range	0,05 mm
Repetitive precision max. measuring range	0.1 mm
Linearity deviation	0,3 mm
Sampling speed	3 m/s
Display	LED
LED status display	Yellow
Vibration resistance	10 - 55 Hz, 1 mm
Shock resistance	30 g / 11 ms
Cable length L	0.3 m

Technical data

Part No.	for	Type of contact	Cable length L
R412010142	PRA, PRE, CCI, KPZ, SSI, GPC, CVI	Analog	0.3 m
R412010144	PRA, PRE, CCI, KPZ, SSI, GPC, CVI	Analog	0.3 m
R412010263	PRA, PRE, CCI, KPZ, SSI, GPC, CVI	Analog	0.3 m
R412010265	PRA, PRE, CCI, KPZ, SSI, GPC, CVI	Analog	0.3 m

Part No.	max. measuring range	Overall length Sensor A
R412010142	32 mm	45 mm
R412010144	64 mm	77 mm
R412010263	96 mm	109 mm
R412010265	128 mm	141 mm

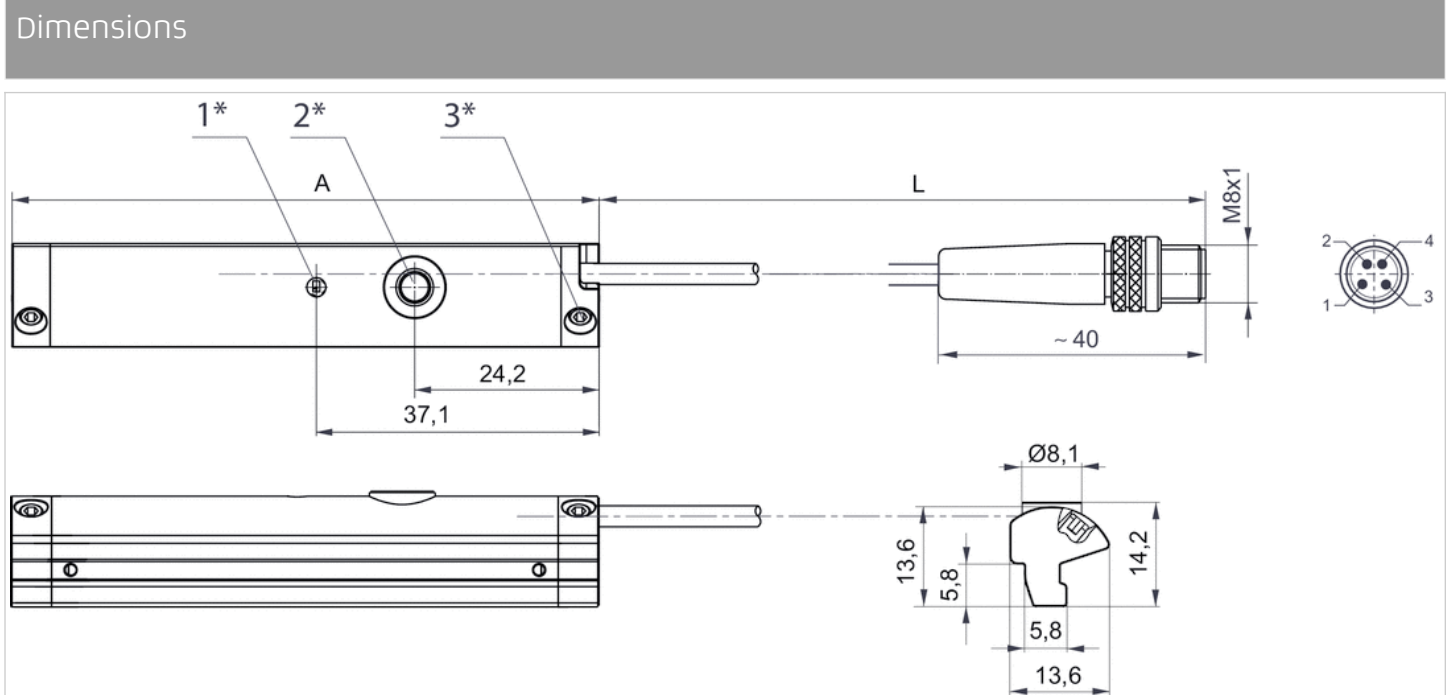
Part No.	Version
R412010142	short circuit resistant Protected against polarity reversal Overload protection
R412010144	short circuit resistant Protected against polarity reversal Overload protection
R412010263	short circuit resistant Protected against polarity reversal Overload protection

Part No.	Version
R412010265	short circuit resistant Protected against polarity reversal Overload protection

Technical information

Material	
Housing	Polyamide fiber-glass reinforced
Cable sheath	Polyurethane

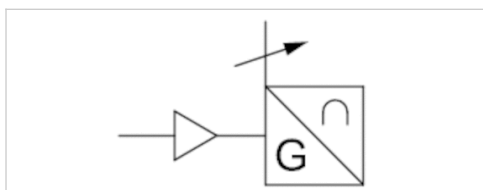
Dimensions



1* = LED 2* = teach button 3* = threaded pin M3x11
 L = cable length
 Pin assignment: 1 = (+), 2 = (OUT 1) 3 = (GND), 4 = (OUT 2), EN 60947-5-7
 A = sensor length

Sensors, Series SM6-AL

- with cable
- Plug, M8x1, 4-pin
- with distance measuring sensor, measurement range 107 - 1007 mm
- IO-Link
- Analog
- Indirect mounting for series PRA, ITS, RTC, CVI



Certificates	cULus
Ambient temperature min./max.	-20 ... 70 °C
Protection class	IP65, IP67
Output signal	0 - 10 V DC, 4 - 20 mA
Quiescent current (without load)	35 mA
Current signal	4 ... 20 mA
Maximum load (analog current output)	500 Ω
Residual ripple	≤ 10 %
sampling interval	1,15 ms
Resolution max. measuring range	typ. 0,03 % FSR
Repetitive precision max. measuring range	typ. 0,06 % FSR
Linearity deviation	0,5 mm
Sampling speed Partial stroke	1,5 m/s
Sampling speed Full stroke	3 m/s
Display	2 LED
Vibration resistance	10 - 55 Hz, 1 mm
Shock resistance	30 g / 11 ms
Cable length L	0.3 m

Technical data

Part No.	Type of contact	Cable length L	max. measuring range	Overall length Sensor A
R412010880	Analog	0.3 m	107 mm	109 mm
R412010881	Analog	0.3 m	143 mm	145 mm
R412010882	Analog	0.3 m	179 mm	181 mm
R412010883	Analog	0.3 m	215 mm	217 mm
R412010884	Analog	0.3 m	251 mm	253 mm
R412010885	Analog	0.3 m	287 mm	289 mm
R412010886	Analog	0.3 m	323 mm	325 mm
R412010887	Analog	0.3 m	359 mm	361 mm
R412010888	Analog	0.3 m	395 mm	397 mm
R412010889	Analog	0.3 m	431 mm	433 mm
R412010890	Analog	0.3 m	467 mm	469 mm
R412010891	Analog	0.3 m	503 mm	505 mm
R412010892	Analog	0.3 m	539 mm	541 mm
R412010893	Analog	0.3 m	575 mm	577 mm
R412010894	Analog	0.3 m	611 mm	613 mm
R412010895	Analog	0.3 m	647 mm	649 mm
R412010896	Analog	0.3 m	683 mm	685 mm

Part No.	Type of contact	Cable length L	max. measuring range	Overall length Sensor A
R412010897	Analog	0.3 m	719 mm	721 mm
R412010898	Analog	0.3 m	755 mm	757 mm
R412010899	Analog	0.3 m	791 mm	793 mm
R412010900	Analog	0.3 m	827 mm	829 mm
R412010901	Analog	0.3 m	863 mm	865 mm
R412010902	Analog	0.3 m	899 mm	901 mm
R412010903	Analog	0.3 m	935 mm	937 mm
R412010904	Analog	0.3 m	971 mm	973 mm
R412010905	Analog	0.3 m	1007 mm	1009 mm

Part No.	Incl. number of sensor clamp pairs	Current signal
R412010880	2 piece	4 ... 20 mA
R412010881	2 piece	4 ... 20 mA
R412010882	2 piece	4 ... 20 mA
R412010883	2 piece	4 ... 20 mA
R412010884	2 piece	4 ... 20 mA
R412010885	3 piece	4 ... 20 mA
R412010886	3 piece	4 ... 20 mA
R412010887	3 piece	4 ... 20 mA
R412010888	3 piece	4 ... 20 mA
R412010889	3 piece	4 ... 20 mA
R412010890	4 piece	4 ... 20 mA
R412010891	4 piece	4 ... 20 mA
R412010892	4 piece	4 ... 20 mA
R412010893	4 piece	4 ... 20 mA
R412010894	4 piece	4 ... 20 mA
R412010895	4 piece	4 ... 20 mA
R412010896	5 piece	4 ... 20 mA
R412010897	5 piece	4 ... 20 mA
R412010898	5 piece	4 ... 20 mA
R412010899	5 piece	4 ... 20 mA
R412010900	6 piece	4 ... 20 mA
R412010901	6 piece	4 ... 20 mA
R412010902	6 piece	4 ... 20 mA
R412010903	6 piece	4 ... 20 mA
R412010904	6 piece	4 ... 20 mA
R412010905	6 piece	4 ... 20 mA

Part No.	Version
R412010880	short circuit resistant Protected against polarity reversal Overload protection
R412010881	short circuit resistant Protected against polarity reversal Overload protection
R412010882	short circuit resistant Protected against polarity reversal Overload protection
R412010883	short circuit resistant Protected against polarity reversal Overload protection
R412010884	short circuit resistant Protected against polarity reversal Overload protection
R412010885	short circuit resistant Protected against polarity reversal Overload protection

Part No.	Version
R412010886	short circuit resistant Protected against polarity reversal Overload protection
R412010887	short circuit resistant Protected against polarity reversal Overload protection
R412010888	short circuit resistant Protected against polarity reversal Overload protection
R412010889	short circuit resistant Protected against polarity reversal Overload protection
R412010890	short circuit resistant Protected against polarity reversal Overload protection
R412010891	short circuit resistant Protected against polarity reversal Overload protection
R412010892	short circuit resistant Protected against polarity reversal Overload protection
R412010893	short circuit resistant Protected against polarity reversal Overload protection
R412010894	short circuit resistant Protected against polarity reversal Overload protection
R412010895	short circuit resistant Protected against polarity reversal Overload protection
R412010896	short circuit resistant Protected against polarity reversal Overload protection
R412010897	short circuit resistant Protected against polarity reversal Overload protection
R412010898	short circuit resistant Protected against polarity reversal Overload protection
R412010899	short circuit resistant Protected against polarity reversal Overload protection
R412010900	short circuit resistant Protected against polarity reversal Overload protection
R412010901	short circuit resistant Protected against polarity reversal Overload protection
R412010902	short circuit resistant Protected against polarity reversal Overload protection
R412010903	short circuit resistant Protected against polarity reversal Overload protection
R412010904	short circuit resistant Protected against polarity reversal Overload protection
R412010905	short circuit resistant Protected against polarity reversal Overload protection

Technical information

Holders for cylinder series PRA are included in the scope of delivery. For cylinder series ITS, please order the appropriate holders separately.

FSR: Full Scale Range, max. measurement range

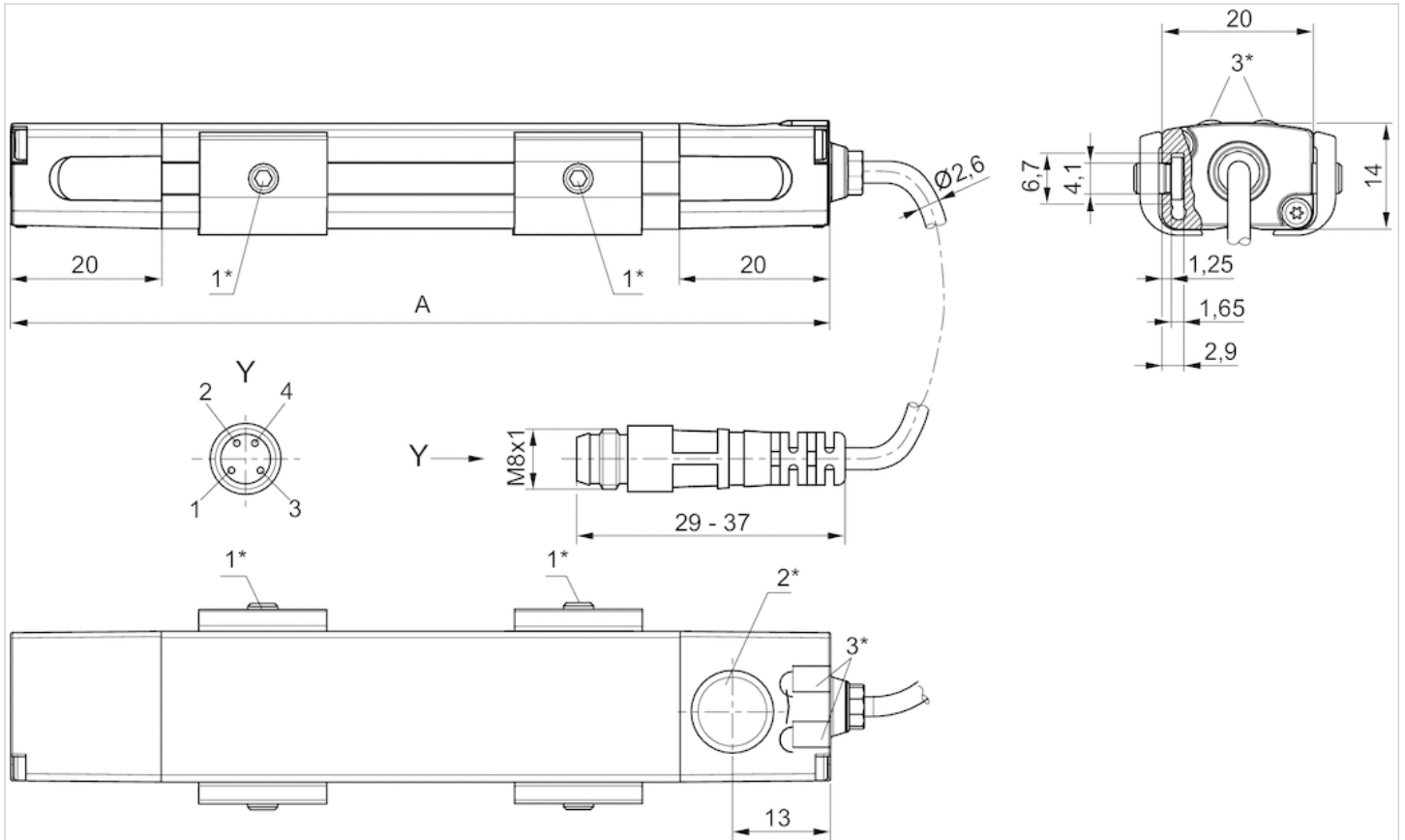
The IO-Link device description (IODD) for the SM6-AL distance measuring sensor is available for download in the Media Centre.

Technical information

Material	
Housing	Aluminum
Cable sheath	Polyurethane
End caps	Polyamide

Dimensions

Dimensions



1* = threaded pin M3x11 2* = teach area 3* = LED

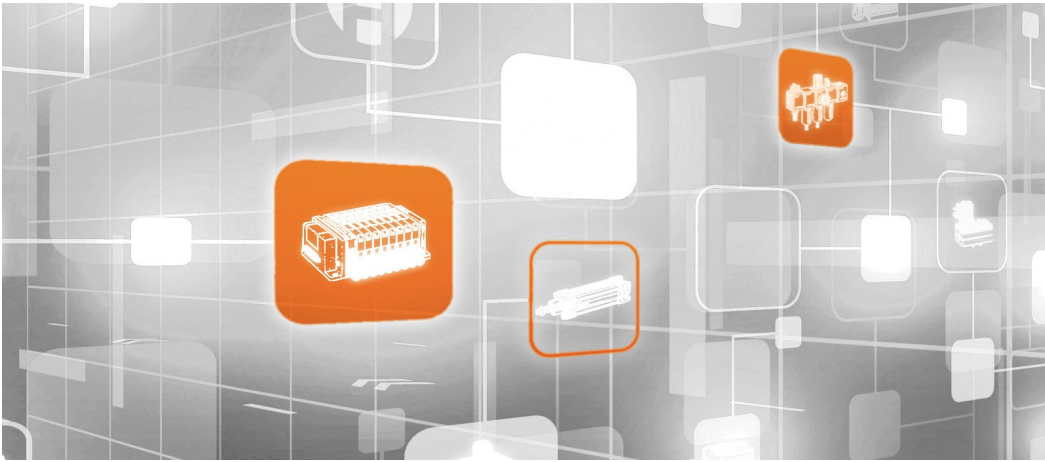
A = sensor length

Pin assignment: 1 = (+), 2 = (OUT 1) 3 = (GND), 4 = (OUT 2/IO-Link), EN 60947-5-7

LED 1: yellow = measuring operation, red = error

LED 2: green = voltage signal, blue = current signal

Efficient pneumatic solutions, our program: cylinders and drives, valves and valve systems, air supply management



Visit us: [Emerson.com/Aventics](https://www.emerson.com/aventics)

Your local contact: [Emerson.com/contactus](https://www.emerson.com/contactus)



Emerson.com



[Facebook.com/EmersonAutomationSolutions](https://www.facebook.com/EmersonAutomationSolutions)



[LinkedIn.com/company/Emerson-Automation-Solutions](https://www.linkedin.com/company/Emerson-Automation-Solutions)



[Twitter.com/EMR_Automation](https://twitter.com/EMR_Automation)

An example configuration is depicted on the title page. The delivered product may thus vary from that in the illustration. Subject to change. This Document, as well as the data, specifications and other information set forth in it, are the exclusive property of AVENTICS GmbH. It may not be reproduced or given to third parties without its consent. Only use the AVENTICS products shown in industrial applications. Read the product documentation completely and carefully before using the product. Observe the applicable regulations and laws of the respective country. When integrating the product into applications, note the system manufacturer's specifications for safe use of the product. The data specified only serve to describe the product. No statements concerning a certain condition or suitability for a certain application can be derived from our information. The information given does not release the user from the obligation of own judgment and verification. It must be remembered that the products are subject to a natural process of wear and aging.

The Emerson logo is a trademark and service mark of Emerson Electric Co. Brand logotype are registered trademarks of one of the Emerson family of companies. All other marks are the property of their respective owners. © 2017 Emerson Electric Co. All rights reserved.
2019-03



CONSIDER IT SOLVED™