

Specifications

For other materials or modifications, please consult TESCOM.

FLUID MEDIA

Non-corrosive gases up to purity 5.0 (99.999 Vol %)

OPERATING PARAMETERS

Maximum Inlet Pressure

Labo-F and Doppelregulus: 2900 psig / 200 bar

Control Pressure Ranges

Labo-F:

22 psig / 1.5 bar
 58 psig / 4.0 bar
 145 psig / 10.0 bar
 290 psig / 20.0 bar

Doppelregulus:

14.5 psig / 1.00 bar
 22 psig / 1.5 bar
 0.73 psig / 50 mbar
 1.45 psig / 100 mbar
 7.25 psig / 500 mbar

OTHER

Connection

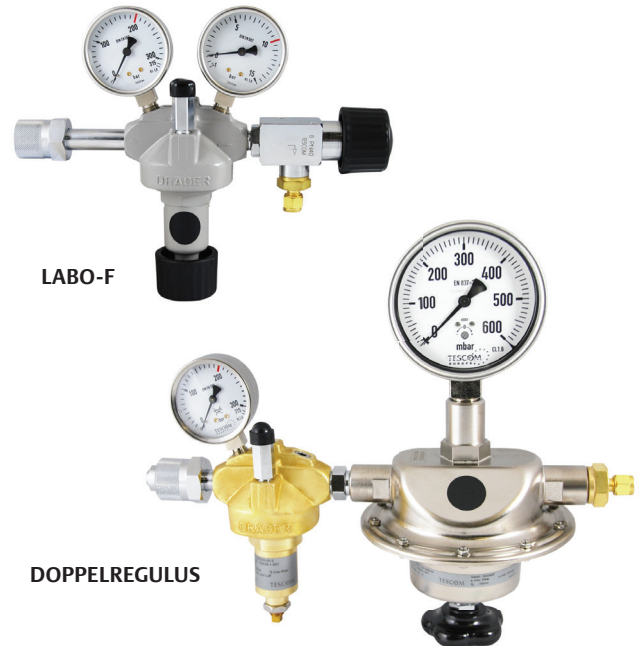
Inlet: According to DIN 477-1

Outlet: Compression fitting \varnothing 6 mm with hose nozzle 6 mm

Weight

Labo-F: 5.7 lbs / 2.6 kg

Doppelregulus: 8.6 lbs / 3.9 kg



LABO-F

DOPPELREGULUS

TESCOM Labo-F and Doppelregulus cylinder pressure regulators are for applications with medium flow requirements (Labo-F) or low outlet pressures (Doppelregulus).

Applications

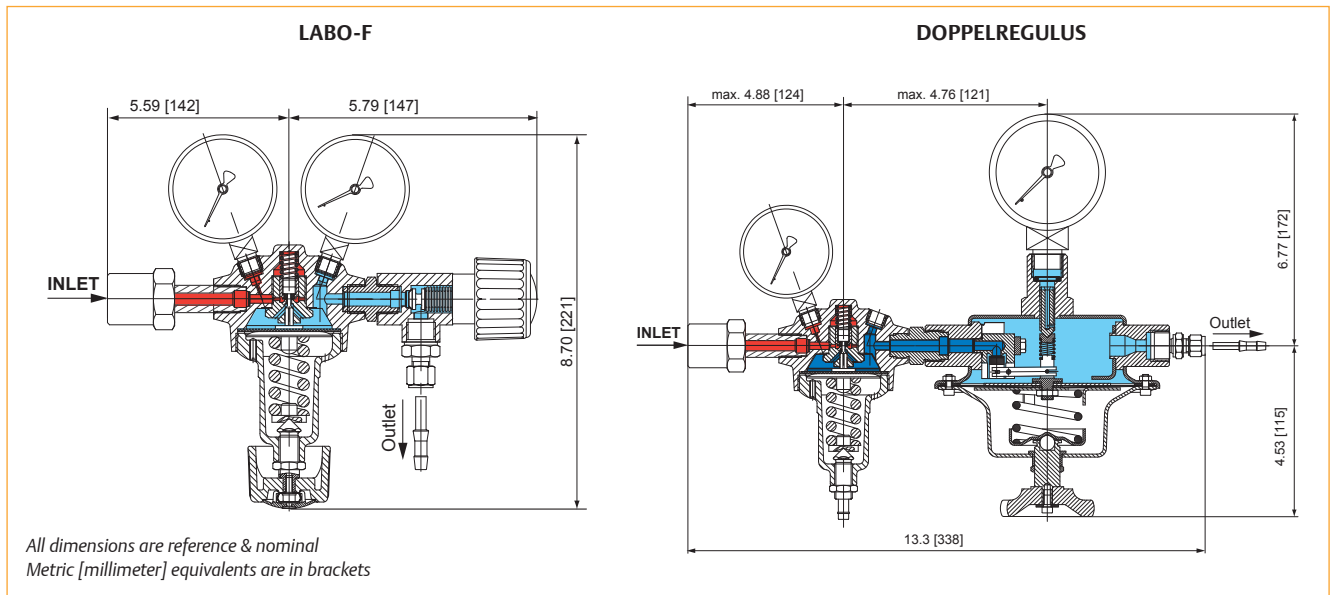
- Universal use - for all technical gases (gas purity up to 5.0)
- Precise control of low outlet pressures
- Control of low outlet pressures

Features and Benefits

- Single-stage Labo-F includes shut-off valve for high flow capacity (up to 50 m³/h)
- Dual-stage Doppelregulus provides millibar pressure control
- Five different setpoints for outlet pressure

LABO-F and DOPPELREGULUS

Labo-F and Doppelregulus Regulator Drawing



Labo-F and Doppelregulus Regulator Part Number Selector

Repair Kits, Accessories & Modifications may be available for this product. Please contact TESCOM for more information.

Example for selecting a part number:

BASIC SERIES	GAS	OUTLET PORT CONNECTION	CONTROLLED PRESSURE RANGE
D43150 Labo-F	02 – Nitrogen 08 – Air 09 – Synthetic air 12 – Oxygen 13 – Nitrous oxide 15 – CO ₂ and inert gases 16 – Flammable gases 17 – Calibration gases	00 – Without connection G 3/8" female 05 – Compression fitting ø 6 mm with hose nozzle ø 6 mm separately <i>Note: Other outlet connections are available</i>	1 – 22 psig / 1.5 bar 2 – 58 psig / 4.0 bar 3 – 145 psig / 10.0 bar 4 – 290 psig / 20.0 bar

BASIC SERIES	GAS	CONTROLLED PRESSURE RANGE	OUTLET PORT CONNECTION
D50711 Doppelregulus	02 – Nitrogen 08 – Air 09 – Synthetic air 12 – Oxygen 13 – Nitrous oxide 15 – CO ₂ and inert gases 16 – Flammable gases (except Propane and Acetylene) 17 – Calibration gases 42 – Compressed air - 4350 psig / 300 bar	0050 – 0.73 psig / 50 mbar 0100 – 1.45 psig / 100 mbar 0500 – 7.25 psig / 500 mbar 1000 – 14.5 psig / 1.00 bar 1500 – 22 psig / 1.5 bar	05 – Compression fitting ø 6 mm with hose nozzle ø 6 mm separately <i>Note: Other outlet connections are available</i>

Accessories

PART NUMBER	DESCRIPTION
D50810	Sealing ring for O ₂ and Synthetic air
D50809	Sealing ring for non-corrosive gases
D41414	Sealing ring for calibration mixture, Nitrous oxide
D41681	Nozzle 6 mm