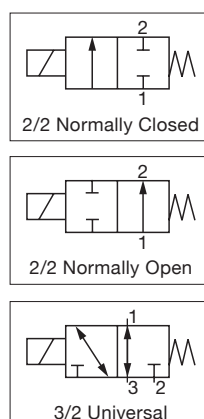


ASCO™ MINIATURE SOLENOID VALVES

ROCKER MECHANISM, FLUID ISOLATION, HOSE CONNECTIONS

- Valves for medical analysers, biotechnology, gas analysers
- Can be used to control acids and bases, as well as analytical reagents
- Any application where the fluid may not come into contact with metal parts and with the electromagnetic control section of the solenoid valves
- The valves are ideal for controlling aggressive fluids or when high purity is demanded and have easy to flush internal cavities
- They can also be used as a very small internal volume flow-through sampling valve due to rocker technology
- Hermetic separation of control mechanism and fluid
- Reduced heat exchange between coil and fluid
- Protected manual operator
- The use of first class materials and thorough valve testing ensure high reliability and a lifetime of at least 1 million cycles
- The solenoid valves satisfy all relevant EC directives
- Typical applications include:
 - Hematology



Fluids*	Temperature Range	Seal Materials*
Liquids or gases	0 °C to 40 °C (32 °F to 104 °F)	EPDM (ethylene-propylene)

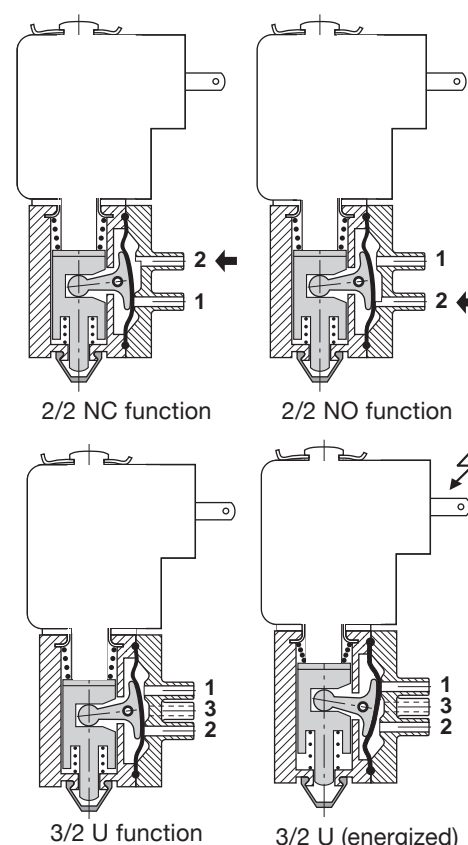
* Ensure that the compatibility of the materials in contact with the fluids is verified.

General Valve Information*	
Body	PA12
Internal parts	Stainless steel
Diaphragm-poppets	EPDM
Cover	PA12 (transparent), enabling flow of fluid to be seen
Differential pressure	-0.7 to +2 bar (usable in 0.3 bar abs. vacuum) [1 bar =100 kPa]
Maximum viscosity	20 cSt (mm ² /s)
Response Time	< 20ms
Internal Volume	< 75 µl (connections not included)

* Ensure that the compatibility of the materials in contact with the fluids is verified

Electrical Characteristics	
Coil Insulation Class	F
Duty cycle	100%
Coil	Two spade terminals 2.8 x 0.5 mm (DIN 46340)
Electrical Safety	IEC 335
Electrical Enclosure Protection	IP65 (EN60529)
Standard Voltages*	12 VDC, 24 VDC

* Other voltages on request



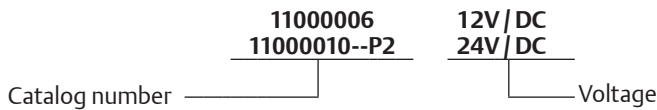
	Power Ratings				Ambient Temperature Ranges °C (°F)	Replacement Coil		Type ¹
	Inrush	Holding	Hot/Cold			-	24 VDC	
	VA	VA	W	W				
	-	-	-	4/5	-5 to 40 (23 to 104)	-	43005269	01

¹ Refer to the dimensional drawings on the following page

01004GB-2020-R01

Specifications										
Connection	Orifice Size	Flow Coefficient			Operating Pressure bar (psi)			Power Rating	Catalog Number (protected impulse manual operator)	
					min.	max.			Rear Mounting	central support plate mounting
		mm (inches)	Kv (m³/h)	Cv		l/min	gases	liquids		
Hose connection to ID 1.5 mm flexible tubing	2/2 NC - Normally closed / 2 connections									
	1.5 (0.059)	0.05	0.058	0.75	-0.7 (-10)	2 (29)	2 (29)	5	11000006	11000010--P2
	2/2 NO - Normally open / 2 connections									
	1.5 (0.059)	0.05	0.058	0.75	-0.7 (-10)	2 (29)	2 (29)	5	11000005--P2	11000009
	3/2 U - Universal / 3 connections									
	1.5 (0.059)	0.05	0.058	0.75	-0.7 (-10)	2 (29)	2 (29)	5	11000007--P2	11000011--P2
3/2 U - Universal / 4 connections										
1.5 (0.059)	0.05	0.058	0.75	-0.7 (-10)	2 (29)	2 (29)	5	11000008	11000012	

How to Order



Options

- Stainless steel support plate for mounting between body and coil for:
 - 1 solenoid valve, catalogue number 88211001
 - 2 solenoid valves, catalogue number 88211002
 - 3 solenoid valves, catalogue number 88211003
 - 4 solenoid valves, catalogue number 88211004
 - 5 solenoid valves, catalogue number 88211005
 For more, contact us
- FKM (fluoroelastomer) diaphragm

Installation

- The solenoid valves can be mounted in any position without affecting operation
- Rear or control support plate mounting possible (see below)
- Hose connection of flexible tubing Ø 1.5 mm ID
- Compact size and simple tubing (see following page)
- Replacement coils are available
- Installation/maintenance instructions are included with each valve

ASCO™ MINIATURE SOLENOID VALVES
ROCKER MECHANISM, FLUID ISOLATION, HOSE CONNECTIONS

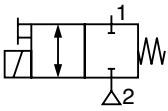
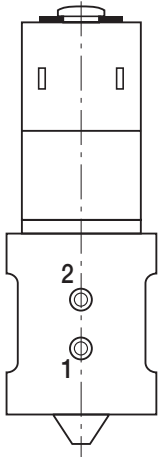
Dimensions: mm (inches)



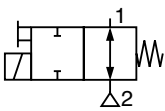
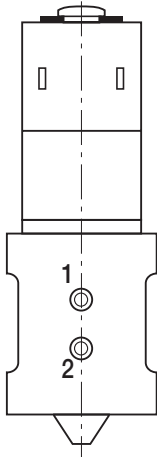
TYPE 01
Prefix "SC" Solenoid
DIN 43340

11000005..12

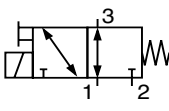
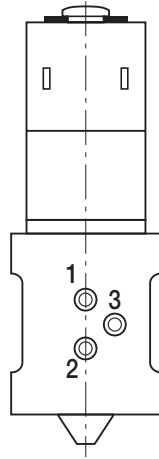
2/2 NC



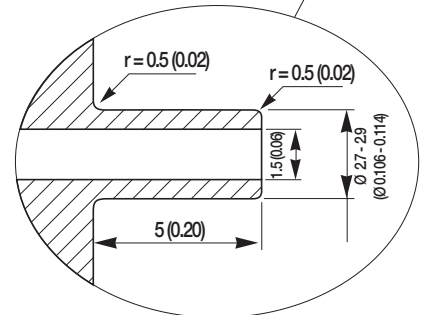
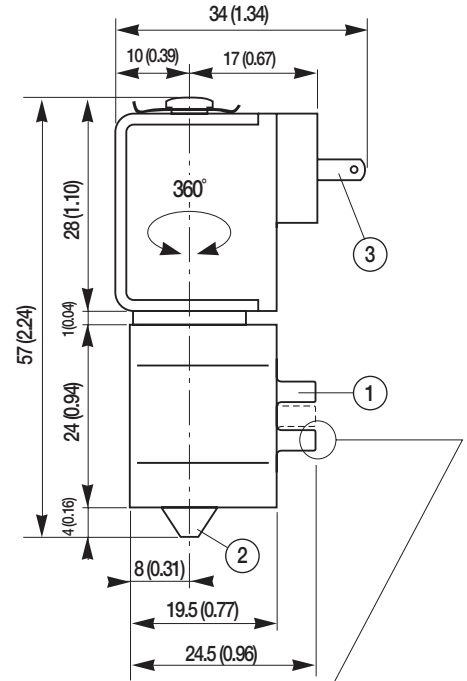
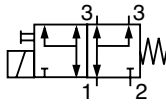
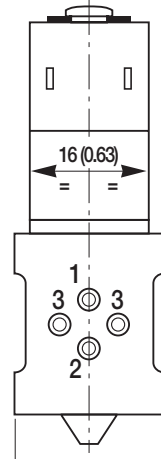
2/2 NO



3/2 U
(3 connections)



3/2 U
(4 connections)



Details of hose bib

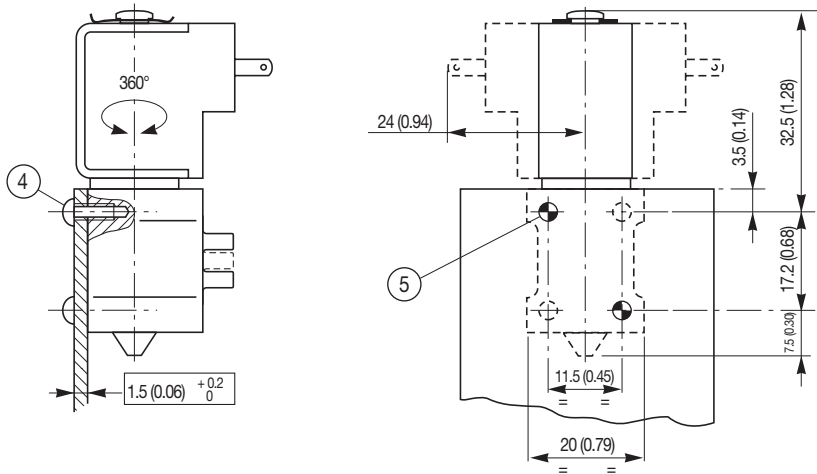
- ① Hose bibs for connection of ID 1.5 mm flexible tubing
- ② Protected impulse type manual operator
- ③ Coil with two spade terminals 2.8 x 0.5 (DIN 46340)

Type	Prefix option	Weight ⁽¹⁾ kg
01	SC	0.46

⁽¹⁾ Incl. coil

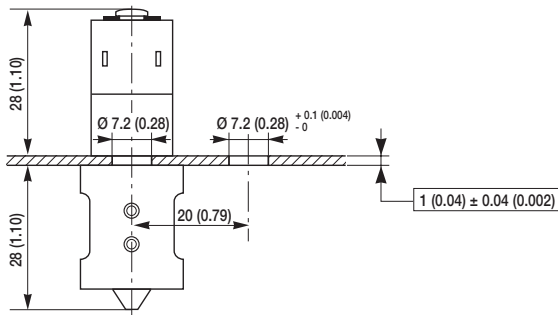
Dimensions: mm (inches)

REAR MOUNTING



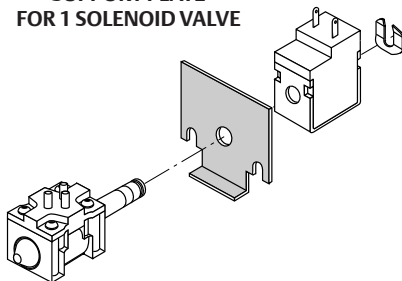
- ④ 2 self thread cutting «Torx» screws K 22 x 6 - A2 stainless steel (screws delivered)
- use these screws only
- use plate with correct thickness
- max. torque: 0.3 Nm
- ⑤ Two mounting holes 2.5 mm dia. Solenoid valve body has four holes for mounting purpose

SUPPORT PLATE MOUNTING (For solenoid valve of corresponding type)

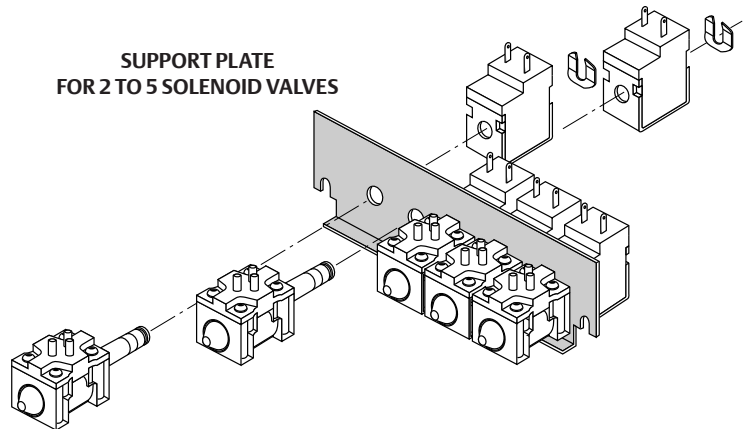


- The panel must be of non-magnetic material.
- To fit to panel, remove the clip and the solenoid valve coil and install as indicated below.

SUPPORT PLATE FOR 1 SOLENOID VALVE



SUPPORT PLATE FOR 2 TO 5 SOLENOID VALVES



ASCO™ MINIATURE SOLENOID VALVES

ROCKER MECHANISM, FLUID ISOLATION, HOSE CONNECTIONS

SERIES
110

SUPPORT PLATE FOR 1 TO 5 SOLENOID VALVES

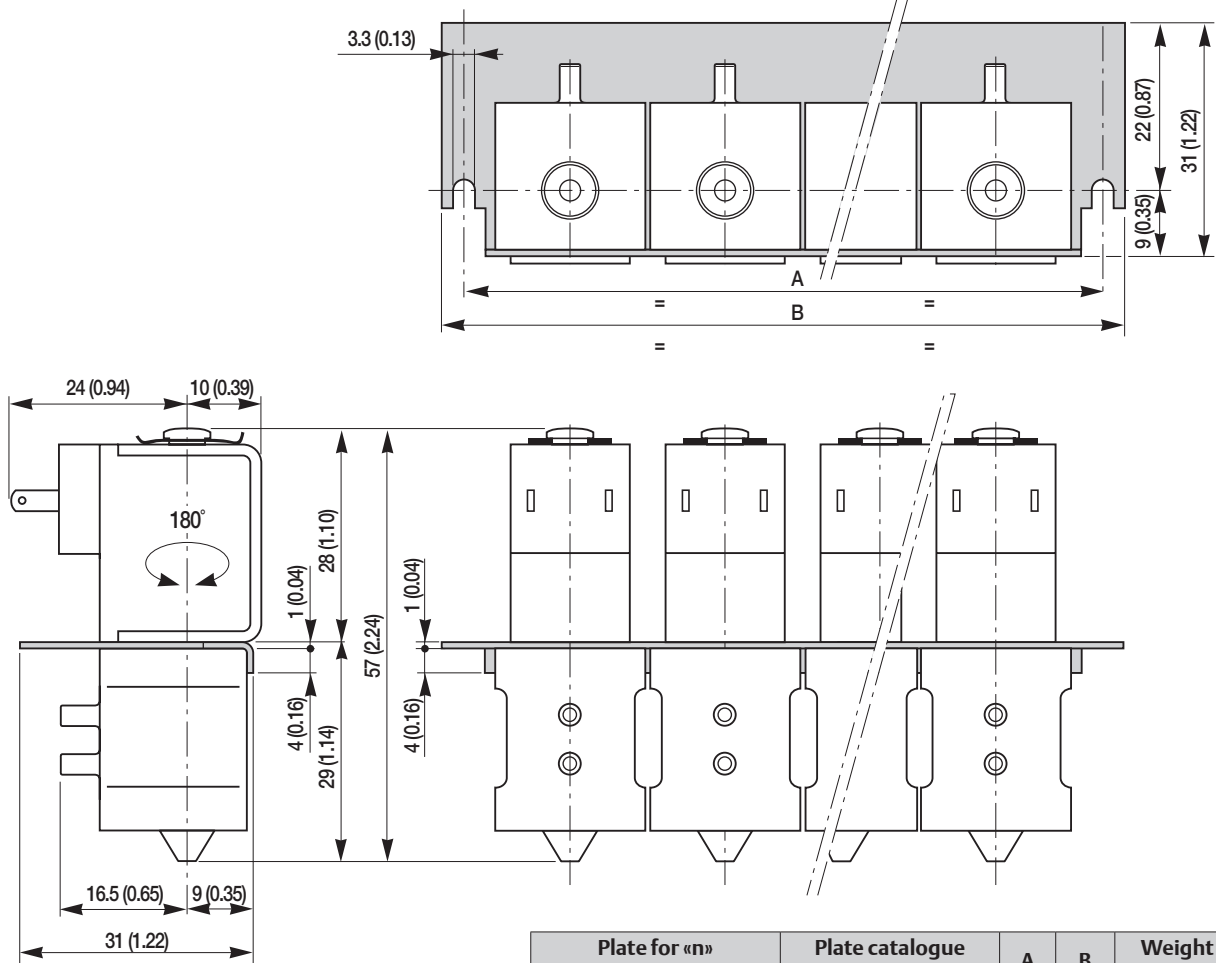
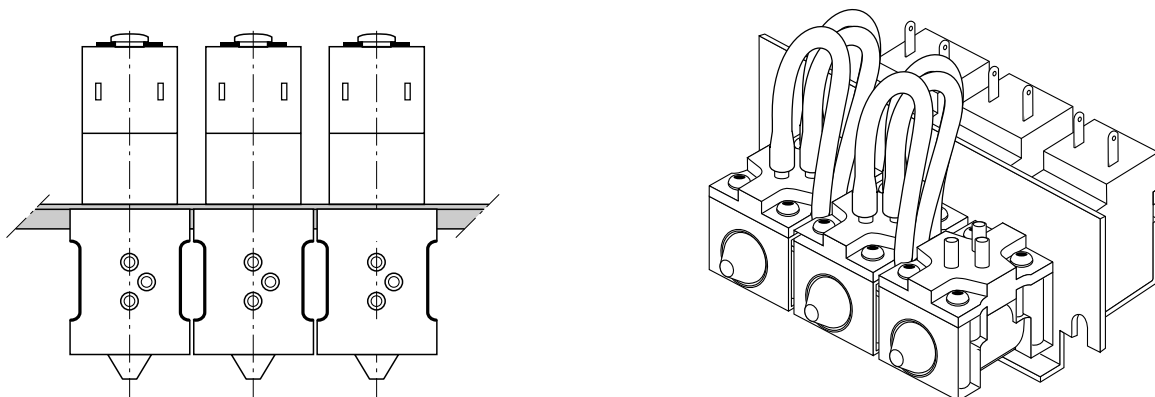


Plate for «n» solenoid valves	Plate catalogue number	A	B	Weight ⁽¹⁾ kg
1	88211001	31	40	0.1
2	88211002	51	60	0.15
3	88211003	72	80	0.2
4	88211004	92	100	0.25
5	88211005	113	121	0.3

⁽¹⁾ Plate only.

SIMPLE TUBING

When valves mounted side by side on a support plate, an area is left open so that tubes pass between valve bodies



01004CB-2019-R01

