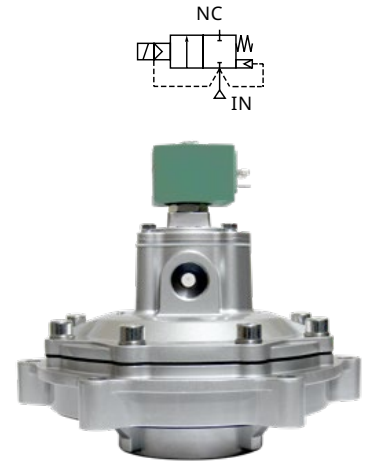


## Features

- The pulse diaphragm valves are especially designed for dust collector service applications, combining high flow, long life and extremely fast opening and closing to produce reliable and economical operation
- The high quality diaphragms are wear resistant and guarantee a long operating life, even under harsh conditions
- Easy installation directly into header tank
- Easy maintenance
- Normally closed valve
- Integral pilot operated
- Special design for sharper opening & closing with higher tank performance ratio
- Higher harsh environment resistance & better appearance



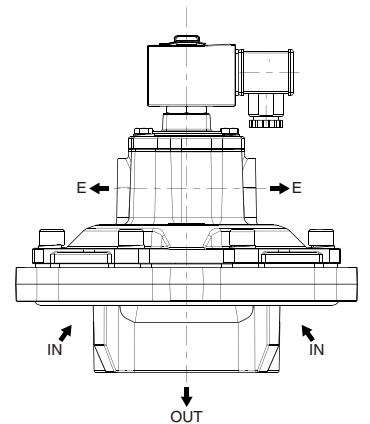
## General Valve Information

**Differential pressure** 1~6 bar [1 bar = 100kPa]  
**Ambient temperature range** -40 ~ +85°C

Fluids	Temperature Range (TS)	Diaphragm
Air	-40°C ~ +85°C	Neoprene

### Materials in Contact with Fluid

<b>Body</b>	Aluminium
<b>Core tube</b>	Stainless steel
<b>Core and plugnut</b>	Stainless steel
<b>Springs</b>	Stainless steel
<b>Seals &amp; disc</b>	Nylon & NBR (Nitrile)
<b>Diaphragms</b>	Neoprene
<b>Shading coil</b>	Copper
<b>Coil insulation class</b>	F
<b>Connector</b>	Spade plug
<b>Connector specification</b>	ISO4400
<b>Electrical safety</b>	IEC335



## Electrical Characteristics

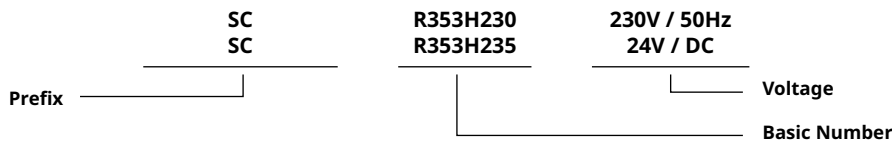
**Standard voltages** DC (=): 24V  
 (Other voltages and 60 Hz on request) AC (-): 24V/50; 110V/50, 120V/60; 220V/50, 240V/60

	Coil Type	Nominal Power Ratings				Protection
		Inrush	Holding		Hot/Cold =	
		(VA)	(VA)	(W)	(W)	
SC	MXX FT	50	25	10.1	22.6	IP65
	MXX FB					

## Specifications

Pipe Size (in)	Orifice Size (mm)	Flow Coefficient Kv		Operating Pressure Differential(Bar)			Coil Type		Prefix Optional Solenoids			Catalog Number
		(m3/h)	(l/min)	Min.	Max.(PS)		~	=	SC	EF	VCEF	
					Air(*)							
					~	=						
3"	76	210	3500	1	6		MXX FT	MXX FB	•	•	•	R353H230
3 1/2"	90	280	4667		~	=	•	•	•	R353H235		

## How to Order



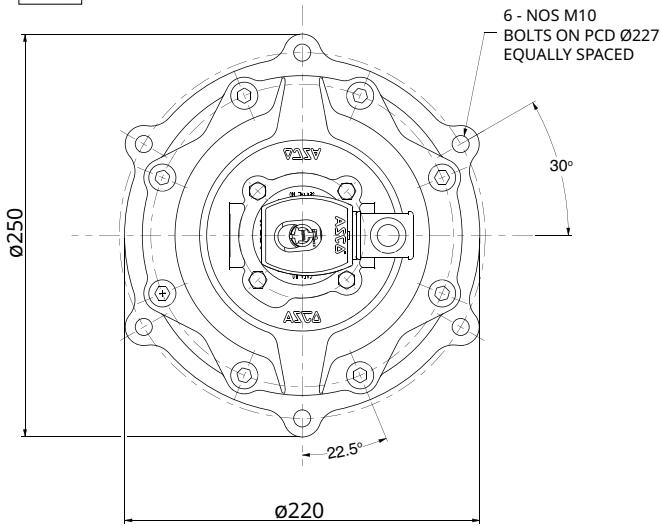
## Options

- Waterproof enclosure with embedded screw terminal coil according to protection class IP67, CEE 10
- Plug with visual indicator and/or peak voltage suppression
- Electronic timer
- Viton seal is available on request

## Installation

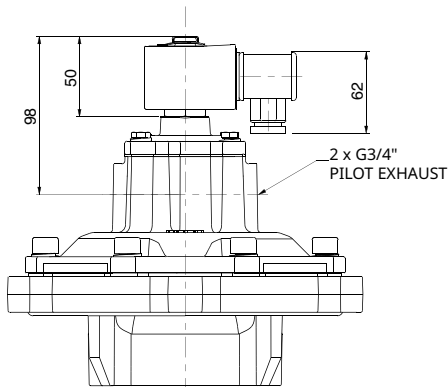
- The valves can be mounted in any position without affecting operation, vertically upright is preferred
- Installation / maintenance instructions are included with each valve
- Spare parts kit and replacement coils are available
- Rubber gasket provided for mounting between valve and header tank
- 6 mounting bolts, nuts and washers (M10) also provided

## Dimensions: mm Weight: kg



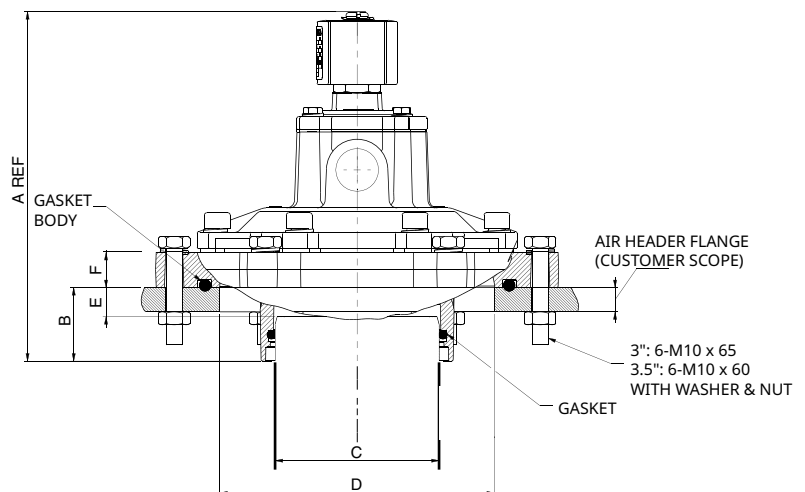
## Spare Parts Kit

Part Number	Kit No.
SCR353H230	C326623
SCR353H235	C326624



VIEW SHOWING VALVE WITHOUT AIR HEADER

RECOMMENDED BLOW PIPE SIZE:  
SCR353H230: Ø87.6-0.2  
SCR353H235: Ø101.4-0.2



Catalog Number	A	B	C	D	E	F	Weight(kg)*
SCR353H230	218	32.5	Ø87.6-0.2	170	-9~9	30	4.3
SCR353H235	216	46	Ø101.4-0.2	170	12~18	22	4.15

\*Including coil(s) and connector(s)