

Pneumatic counters



AVENTICS™ Pneumatic counters









Pneumatic presetting counter (add)

- 5-digit 3 digits
- Compressed air connection input M5 Ø 4
- Compressed air connection output M5 Ø 4



Logic function	Pneumatic/mechanic counter, adding with fixed pre-selection
Mounting orientation	Any
Working pressure min./max.	2 ... 8 bar
Ambient temperature min./max.	0 ... 60 °C
Medium temperature min./max.	0 ... 60 °C
Medium	Compressed air
Max. particle size	40 µm
Oil content of compressed air	0 ... 1 mg/m ³
Weight	See table below

Technical data

Part No.			Display	Return
0821304008		NC	5-digit	Pneumatic > 2 bar Manually via a button
0821304009		NC	5-digit	Pneumatic > 2 bar Manually via a button
0821304014		NC	3 digits	Pneumatic > 2 bar Manually via a button
0821304015		NC	3 digits	Pneumatic > 2 bar Manually via a button
0821304016		NC	5-digit	Automatic Manually via a button
0821304017		NC	5-digit	Automatic Manually via a button

Part No.	Compressed air connection		Compressed air connection		Pulse duration	
	Input		Output		Counting	Return
0821304008	M5		M5		> 8 ms	> 180 ms
0821304009	Ø 4		Ø 4		> 8 ms	> 180 ms
0821304014	M5		M5		> 8 ms	> 180 ms
0821304015	Ø 4		Ø 4		> 8 ms	> 180 ms
0821304016	M5		M5		> 8 ms	> 180 ms
0821304017	Ø 4		Ø 4		> 8 ms	> 180 ms

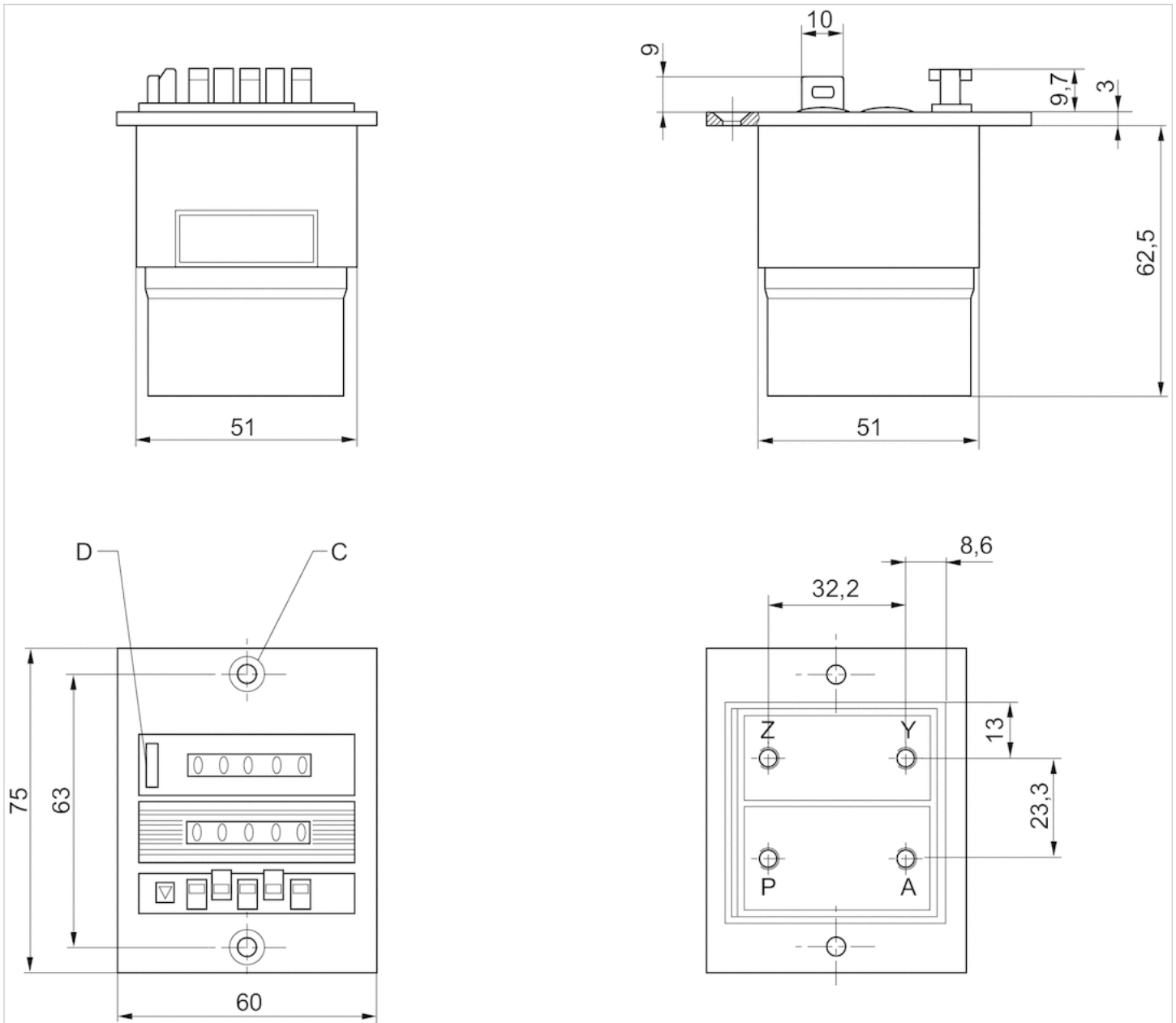
Part No.	Pause duration		Weight	Fig.
	Counting	Return		
0821304008	> 10 ms	> 50 ms	0.16 kg	Fig. 1
0821304009	> 10 ms	> 50 ms	0.16 kg	Fig. 1
0821304014	> 10 ms	> 50 ms	0.16 kg	Fig. 2
0821304015	> 10 ms	> 50 ms	0.16 kg	Fig. 2
0821304016	> 10 ms	> 50 ms	0.19 kg	Fig. 3
0821304017	> 10 ms	> 50 ms	0.19 kg	Fig. 3

Technical information

The pressure dew point must be at least 15 °C under ambient and medium temperature and may not exceed 3 °C .

Dimensions

Fig. 1



P (1) = compressed air connection

Z = counting signal

Y = return signal

A (2) = output signal

C = countersink DIN 74-Af4

D = reset key

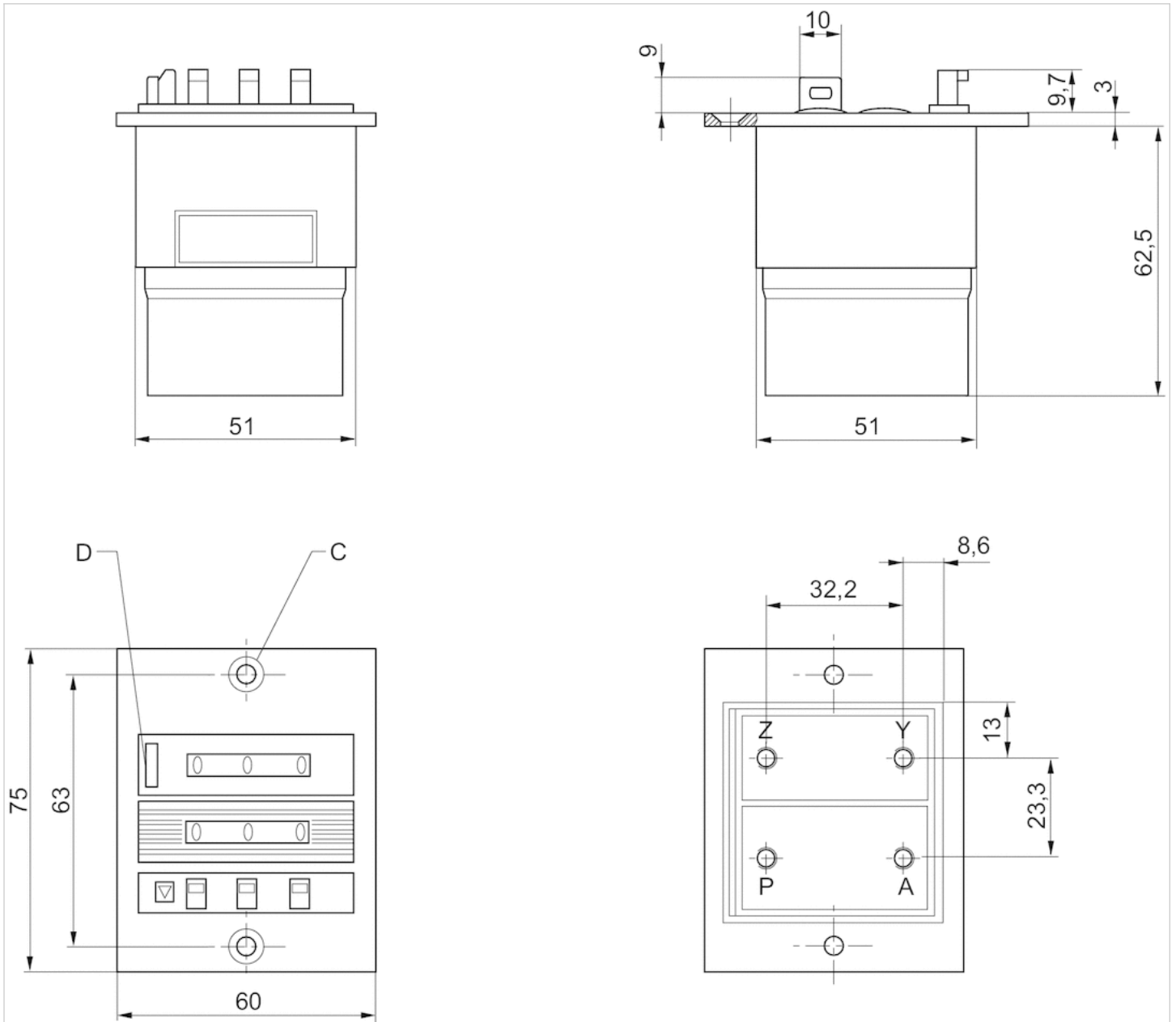
Included in the delivery contents:

2 oval head countersunk screws DIN 966 St M4 x 16

2 spring rings A4 DIN 124

2 hexagonal nuts M4 DIN 934

Fig. 2



P (1) = compressed air connection

Z = counting signal

Y = return signal

A (2) = output signal

C = countersink DIN 74-Af4

D = reset key

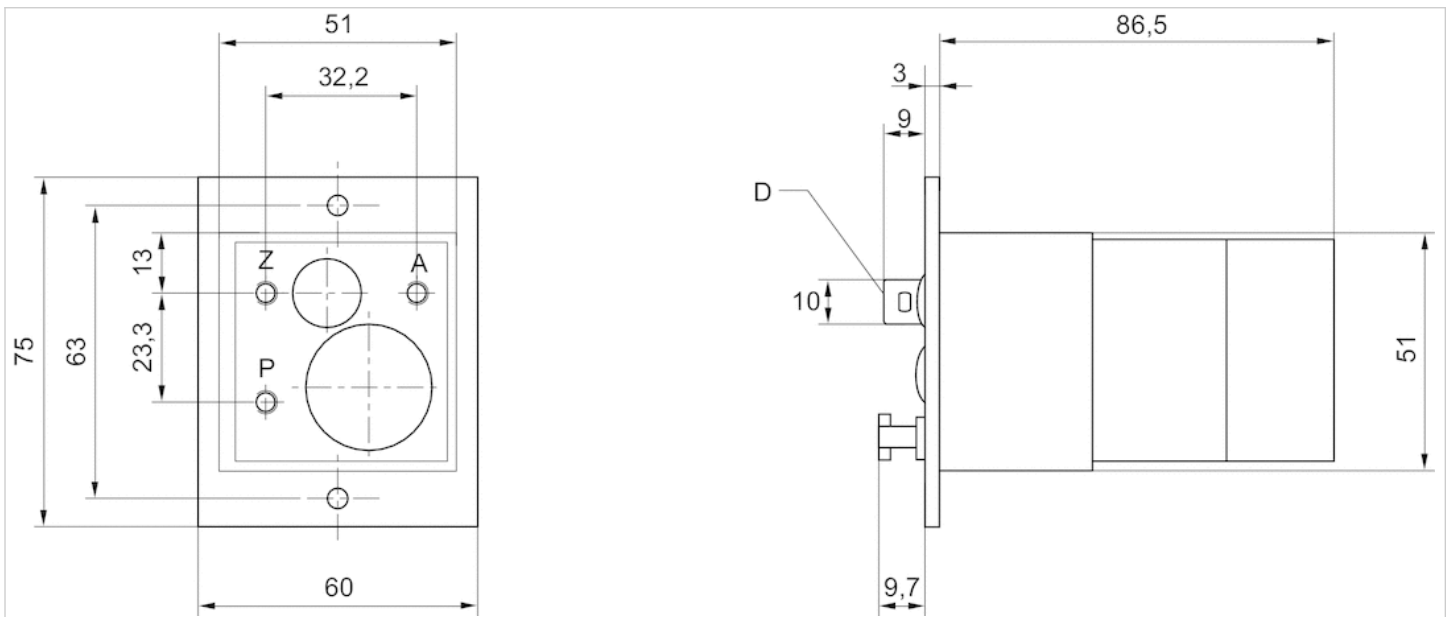
Included in the delivery contents:

2 oval head countersunk screws DIN 966 St M4 x 16

2 spring rings A4 DIN 124

2 hexagonal nuts M4 DIN 934

Fig. 3



P (1) = compressed air connection

Z = counting signal

A (2) = output signal

D = reset key

Included in the delivery contents:

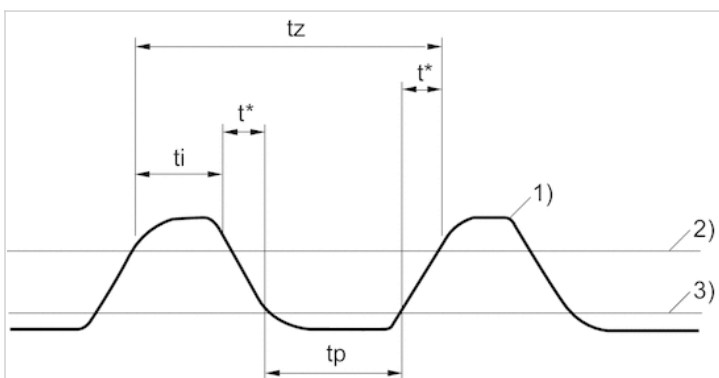
2 oval head countersunk screws DIN 966 St M4 x 16

2 spring rings A4 DIN 127

2 hexagonal nuts M4 DIN 934

Diagrams

Counting frequency



1) Counting impulse

2) Response pressure - 0.8

3) Release pressure - 0.15 bar

t_i = min. pulse duration

t_p = min. pause duration

t_z = time for counting pulse = $t_i + t_p + 2t^*$

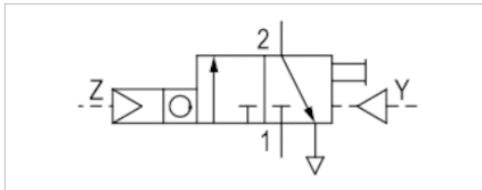
t^* = dependent on pressure and pipe length (values must be determined)

Pneumatic presetting counter (subtracting)

- 3 digits 5-digit
- Compressed air connection input M5 Ø 4
- Compressed air connection output M5 Ø 4



Logic function	Pneumatic/mechanic counter, subtracting
Mounting orientation	Any
Working pressure min./max.	2 ... 8 bar
Ambient temperature min./max.	0 ... 60 °C
Medium temperature min./max.	0 ... 60 °C
Medium	Compressed air
Max. particle size	40 µm
Oil content of compressed air	0 ... 1 mg/m ³
Return	Manually via a button Pneumatic > 2 bar
Weight	0.19 kg



Technical data

Part No.	NC	Display	Compressed air connection	
			Input	Output
0821304020	NC	3 digits	M5	M5
0821304021	NC	3 digits	Ø 4	Ø 4
0821304023	NC	5-digit	M5	M5
0821304024	NC	5-digit	Ø 4	Ø 4

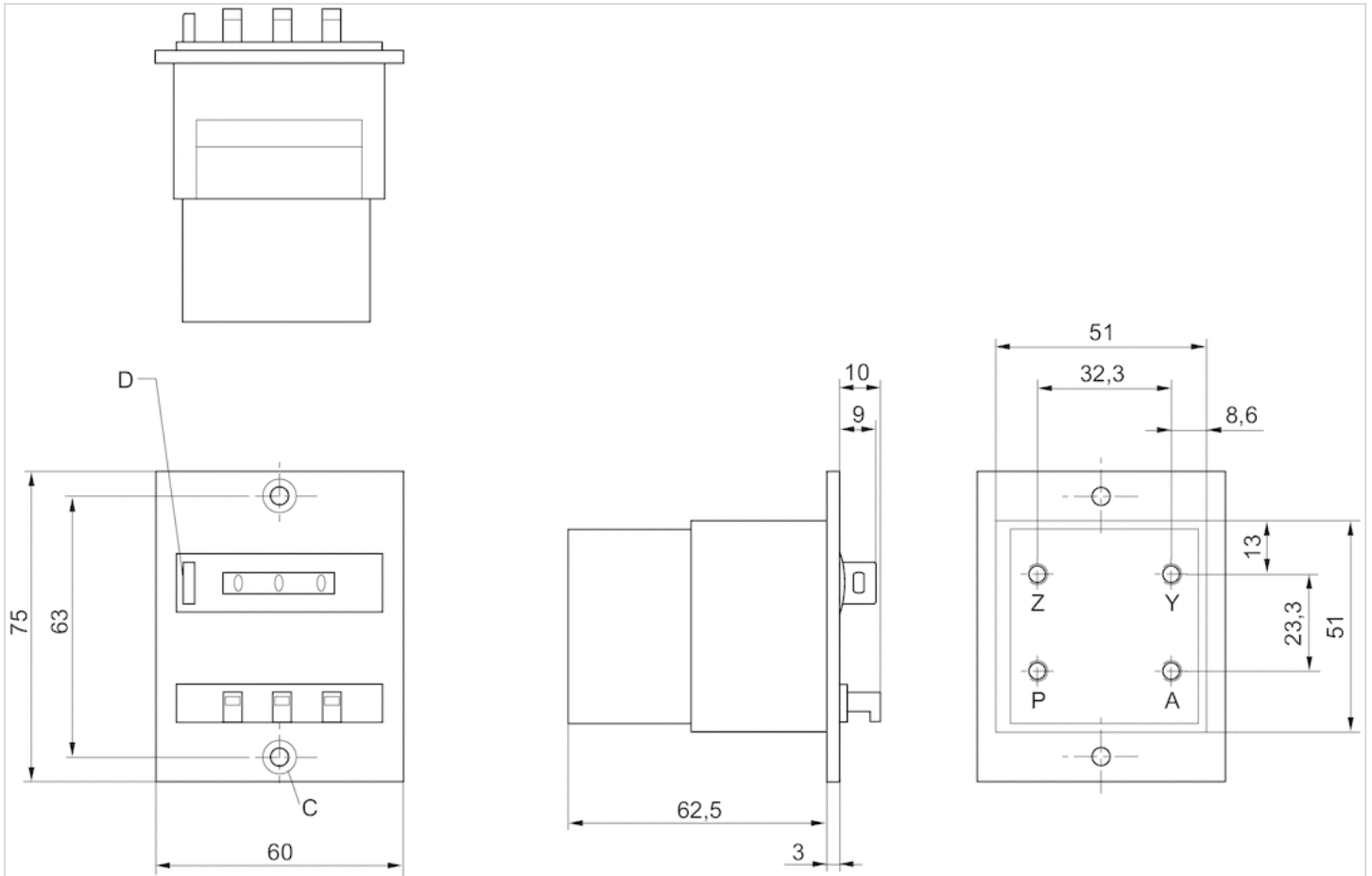
Part No.	Pulse duration		Pause duration		Fig.
	Counting	Return	Counting	Return	
0821304020	> 8 ms	> 180 ms	> 10 ms	> 50 ms	Fig. 1
0821304021	> 8 ms	> 180 ms	> 10 ms	> 50 ms	Fig. 1
0821304023	> 8 ms	> 180 ms	> 10 ms	> 50 ms	Fig. 2
0821304024	> 8 ms	> 180 ms	> 10 ms	> 50 ms	Fig. 2

Technical information

The pressure dew point must be at least 15 °C under ambient and medium temperature and may not exceed 3 °C .

Dimensions

Fig. 1



P (1) = compressed air connection

Z = counting signal

Y = return signal

A (2) = output signal

C = countersink DIN 74-Af4

D = reset key

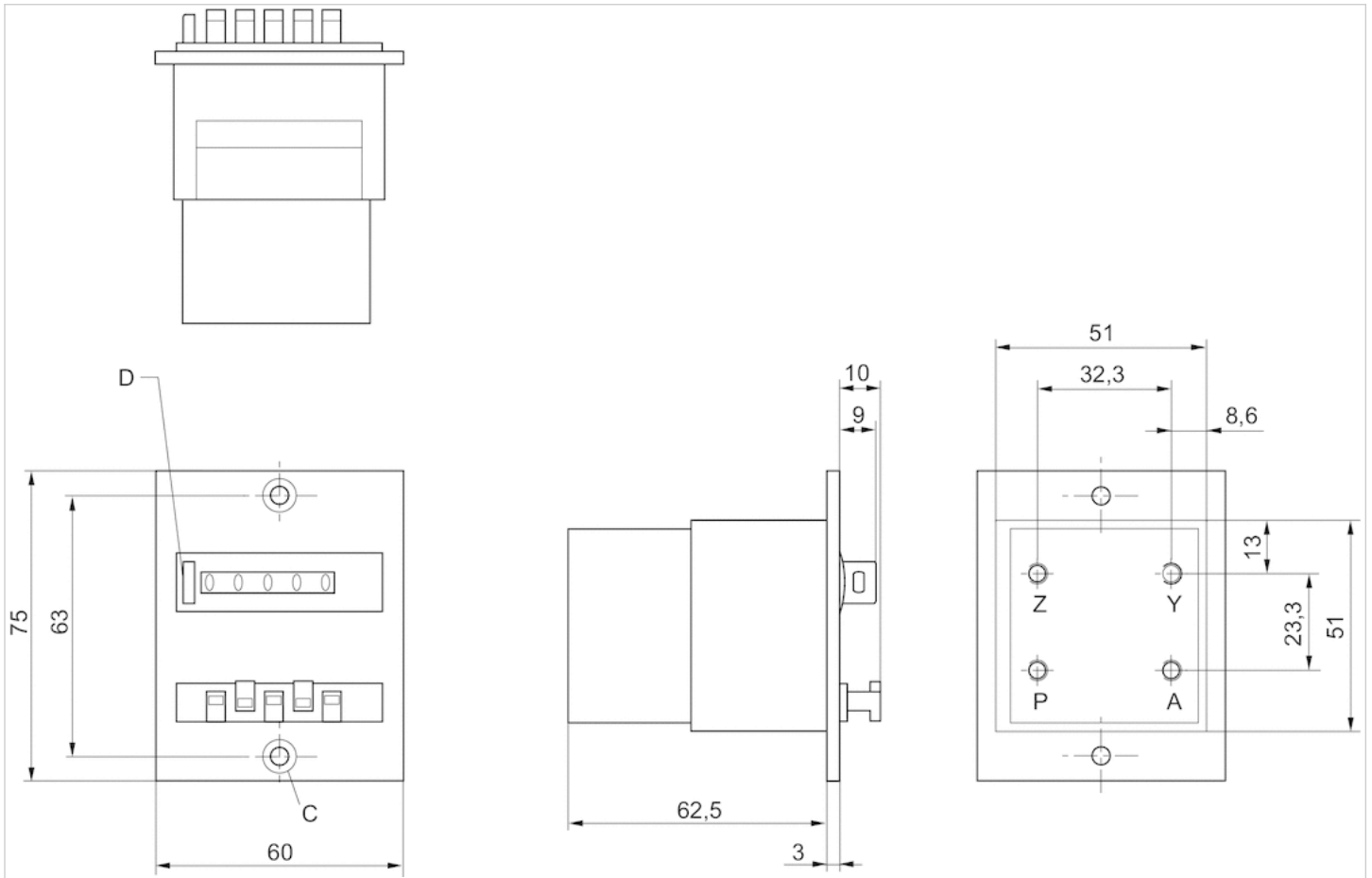
Included in the delivery contents:

2 oval head countersunk screws DIN 966 St M4 x 16

2 spring rings A4 DIN 124

2 hexagonal nuts M4 DIN 934

Fig. 2



P (1) = compressed air connection

Z = counting signal

Y = return signal

A (2) = output signal

C = countersink DIN 74-Af4

D = reset key

Included in the delivery contents:

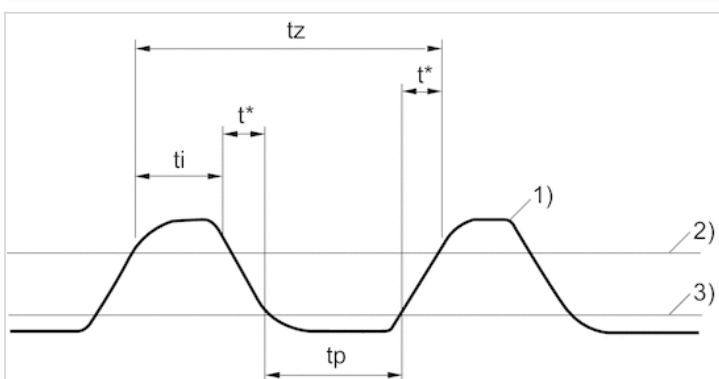
2 oval head countersunk screws DIN 966 St M4 x 16

2 spring rings A4 DIN 124

2 hexagonal nuts M4 DIN 934

Diagrams

Counting frequency



1) Counting impulse

2) Response pressure - 0.8

3) Release pressure - 0.15 bar

t_i = min. pulse duration

t_p = min. pause duration

t_z = time for counting pulse = $t_i + t_p + 2t^*$

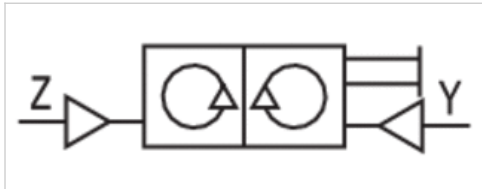
t^* = dependent on pressure and pipe length (values must be determined)

Pneumatic counter

- 6 digits
- Compressed air connection input M5 Ø 4



Logic function	Pneumatic/mechanic counter, adding
Mounting orientation	Any
Working pressure min./max.	2 ... 8 bar
Ambient temperature min./max.	0 ... 60 °C
Medium temperature min./max.	0 ... 60 °C
Medium	Compressed air
Max. particle size	40 µm
Oil content of compressed air	0 ... 1 mg/m ³
Display	6 digits
Weight	See table below



Technical data

Part No.	Return	Compressed air connection
		Input
0821304004	Manually via a button Pneumatic > 2 bar	M5
0821304005	Manually via a button Pneumatic > 2 bar	Ø 4
0821304018	Manually via a button Pneumatic > 2 bar	M5
0821304019	Pneumatic > 2 bar	M5

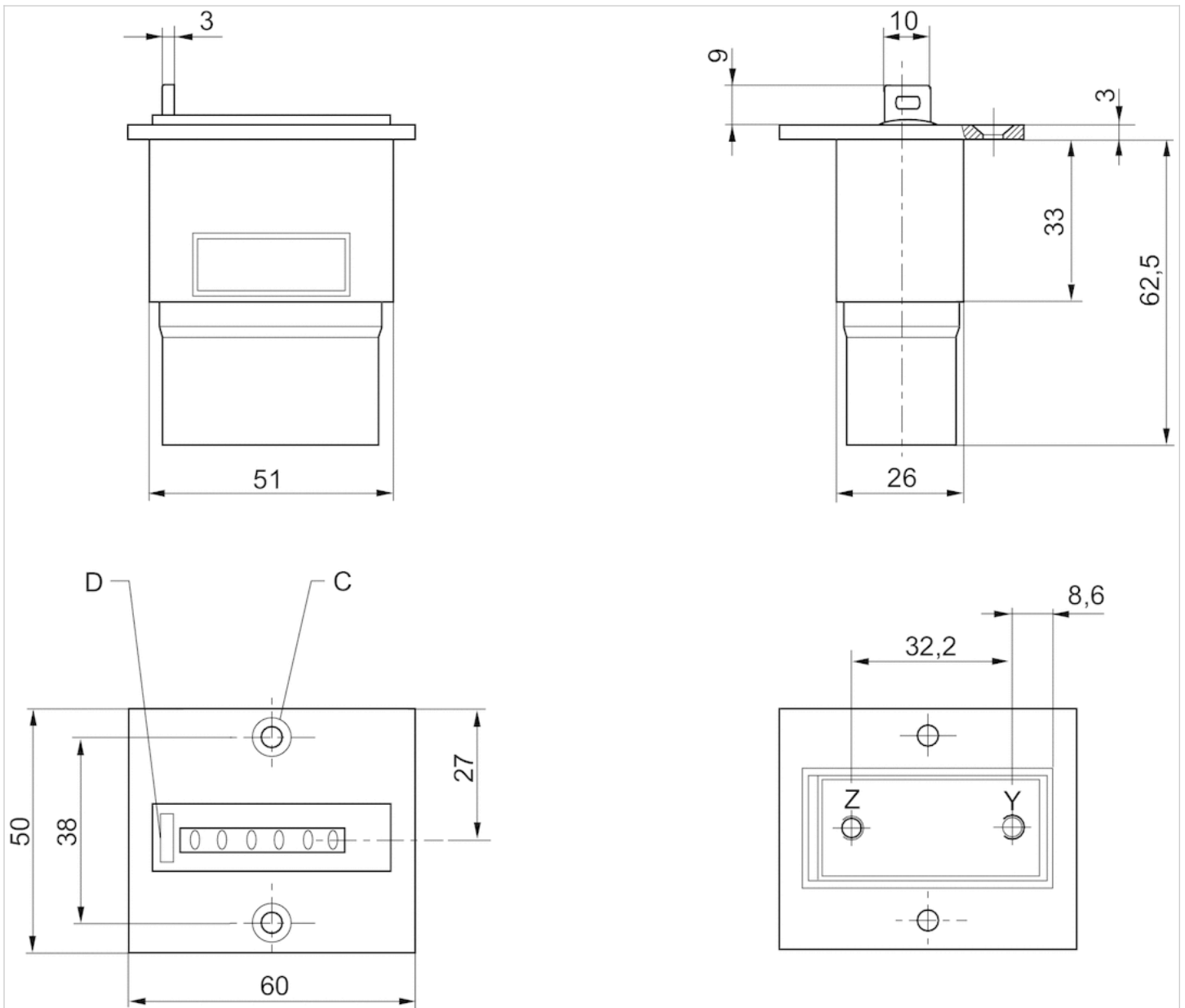
Part No.	Pulse duration		Pause duration		Weight	Fig.
	Counting	Return	Counting	Return		
0821304004	> 18 ms	> 180 ms	> 10 ms	> 50 ms	0.073 kg	Fig. 1
0821304005	> 18 ms	> 180 ms	> 10 ms	> 50 ms	0.073 kg	Fig. 1
0821304018	> 18 ms	> 180 ms	> 10 ms	> 50 ms	0.075 kg	Fig. 2
0821304019	> 18 ms	> 180 ms	> 10 ms	> 50 ms	0.08 kg	Fig. 3

Technical information

The pressure dew point must be at least 15 °C under ambient and medium temperature and may not exceed 3 °C .

Dimensions

Fig. 1



Z = counting signal

Y = return signal

C = countersink DIN 74-Af4

D = reset key

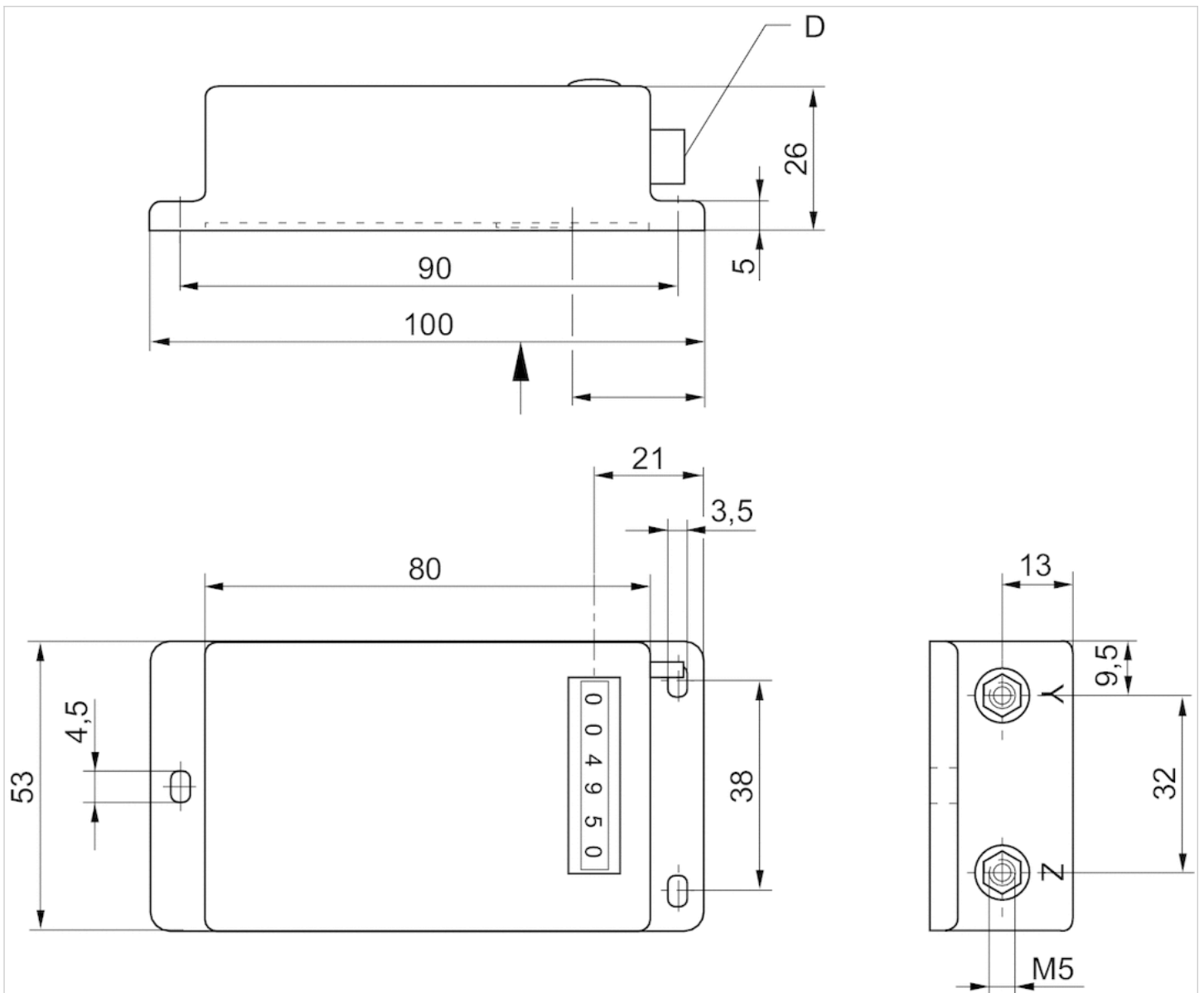
Included in the delivery contents:

2 oval head countersunk screws DIN 966 St M4 x 16

2 spring rings A4 DIN 127

2 hexagonal nuts M4 DIN 934

Fig. 2



Z = counting signal

Y = return signal

D = reset key

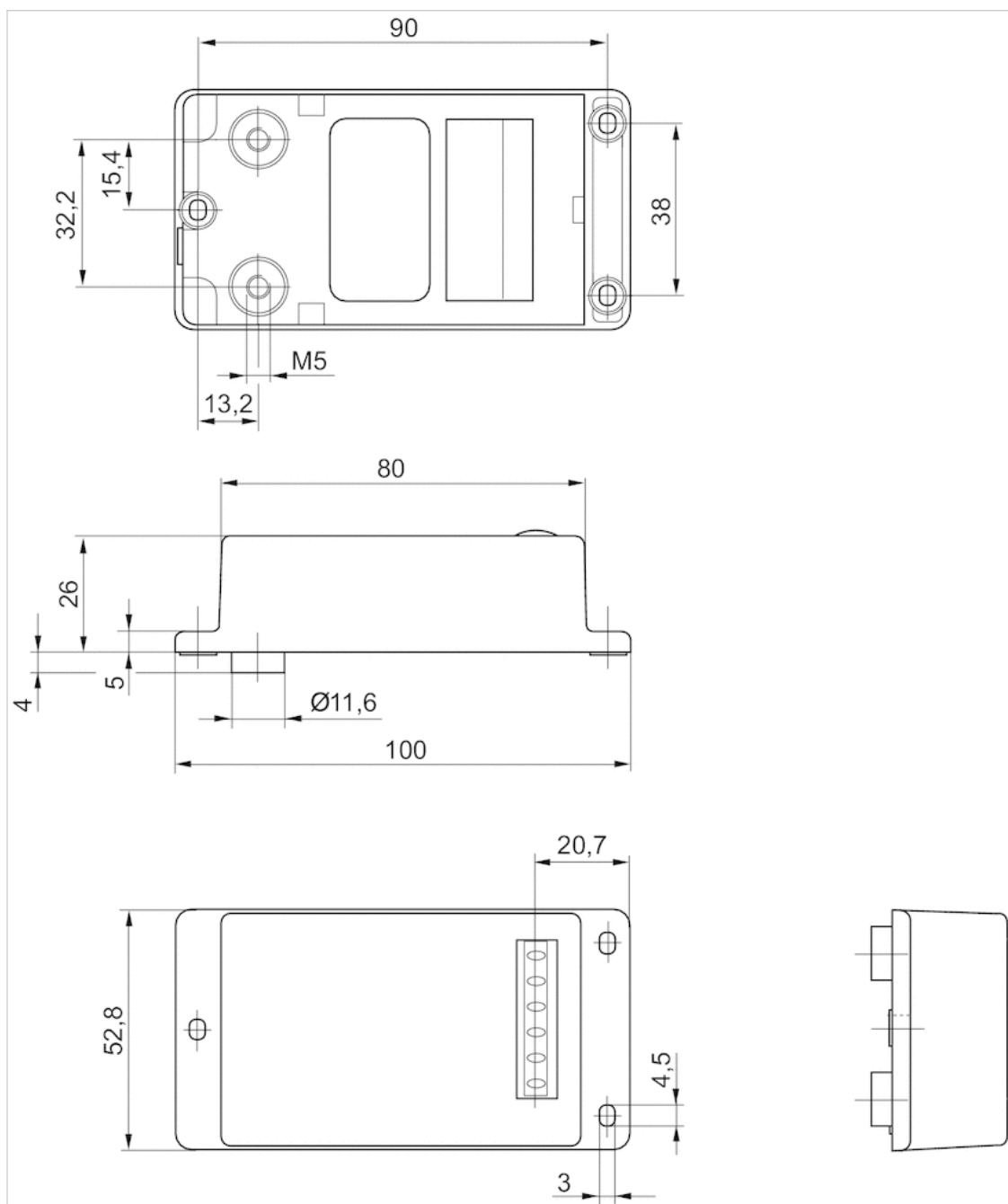
Included in the delivery contents:

2 oval head countersunk screws DIN 966 St M4 x 16

2 spring rings A4 DIN 127

2 hexagonal nuts M4 DIN 934

Fig. 3



Z = counting signal

Y = return signal

Included in the delivery contents:

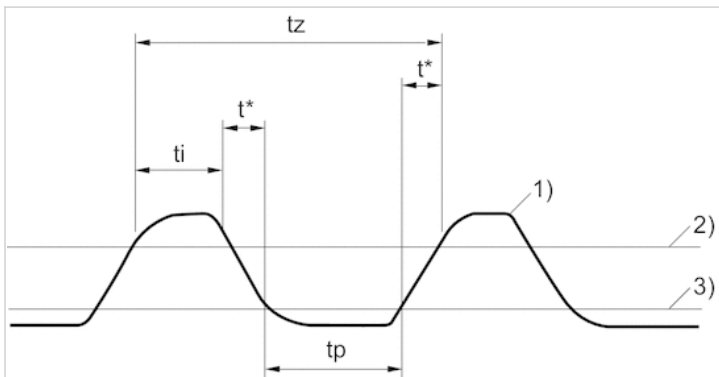
2 oval head countersunk screws DIN 966 St M4 x 16

2 spring rings A4 DIN 127

2 hexagonal nuts M4 DIN 934

Diagrams

Counting frequency



- 1) Counting impulse
 - 2) Response pressure - 0.8
 - 3) Release pressure - 0.15 bar
- t_i = min. pulse duration
 t_p = min. pause duration
 t_z = time for counting pulse = $t_i + t_p + 2t^*$
 t^* = dependent on pressure and pipe length (values must be determined)

Protective cover, Logic valves



Weight

0.042 kg

Technical data

Part No.	Type
1823317006	for pneumatic counter 0 821 304 00., with key-lock

Accessories, Logic valves



Weight

0.047 kg

Technical data

Part No.	Type
1823317008	Protective cover, for pneumatic timers 0 820 215 11
1823317009	Protective cover, for pneumatic presetting counter 0 821 304 0...

Efficient pneumatic solutions, our program: cylinders and drives, valves and valve systems, air supply management



Visit us: [Emerson.com/Aventics](https://www.emerson.com/aventics)

Your local contact: [Emerson.com/contactus](https://www.emerson.com/contactus)



Emerson.com



[Facebook.com/EmersonAutomationSolutions](https://www.facebook.com/EmersonAutomationSolutions)



[LinkedIn.com/company/Emerson-Automation-Solutions](https://www.linkedin.com/company/Emerson-Automation-Solutions)



[Twitter.com/EMR_Automation](https://twitter.com/EMR_Automation)

An example configuration is depicted on the title page. The delivered product may thus vary from that in the illustration. Subject to change. This Document, as well as the data, specifications and other information set forth in it, are the exclusive property of AVENTICS GmbH. It may not be reproduced or given to third parties without its consent. Only use the AVENTICS products shown in industrial applications. Read the product documentation completely and carefully before using the product. Observe the applicable regulations and laws of the respective country. When integrating the product into applications, note the system manufacturer's specifications for safe use of the product. The data specified only serve to describe the product. No statements concerning a certain condition or suitability for a certain application can be derived from our information. The information given does not release the user from the obligation of own judgment and verification. It must be remembered that the products are subject to a natural process of wear and aging.

The Emerson logo is a trademark and service mark of Emerson Electric Co. Brand logotype are registered trademarks of one of the Emerson family of companies. All other marks are the property of their respective owners. © 2017 Emerson Electric Co. All rights reserved.
2019-03



CONSIDER IT SOLVED™