

# ASCO™ Solenoid Valves

Direct Operated, for Vacuum Service, 3/8 - 1/2

Series  
030  
2/2

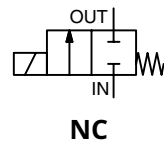
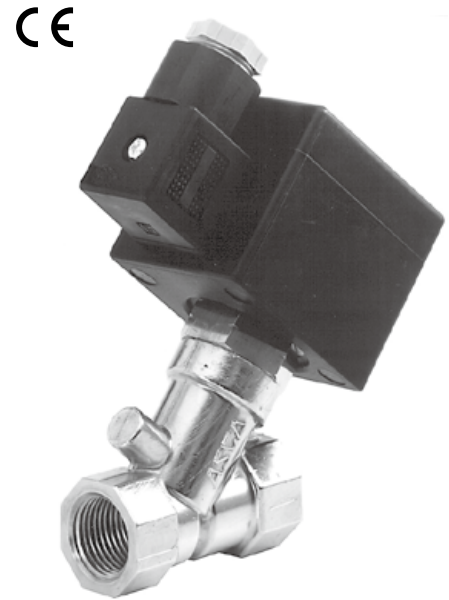
## Features

- Special materials and handling procedures are used in the high vacuum valves to avoid molecular contamination
- The medium and high vacuum valves are mass spectrometer tested
- Brass bodied solenoid valves designed to provide maximum flow
- Direct lift solenoid valves have a resilient soft seating for absolute tight shut-off on low pressures
- The solenoid valves do not require a minimum operating pressure
- The solenoid valves satisfy all relevant EU Directives

## General

**Differential pressure** 1 - 10 bar absolute [1 bar = 100 kPa]  
**Response time** 5 - 40 ms

Fluids (*)	Temperature Range (TS)	Seal Material (*)
air, inert gas	-20 to +90°C	NBR (nitrile)
		FPM (fluoroelastomer)



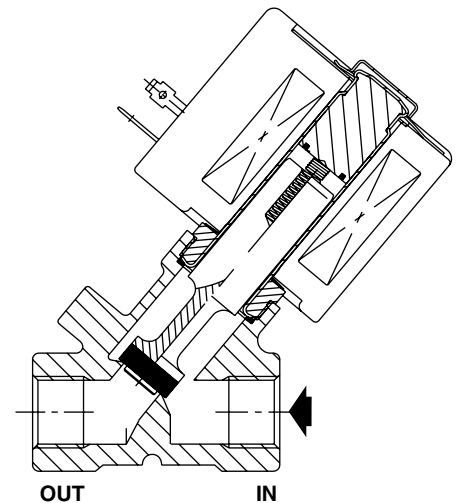
## Materials in Contact with Fluid

(\*) Ensure that the compatibility of the fluids in contact with the materials is verified

<b>Body</b>	Brass
<b>Core tube</b>	Stainless steel
<b>Core and plugnut</b>	Stainless steel
<b>Springs</b>	Stainless steel
<b>Seat</b>	Brass
<b>Seal</b>	NBR or FPM
<b>Discs</b>	NBR or FPM
<b>Shading coil</b>	Copper

## Electrical Characteristics

<b>Coil insulation class</b>	F
<b>Connector</b>	Spade plug (cable Ø 6-10 mm)
<b>Connector specification</b>	ISO 4400 / EN 175301-803, form A
<b>Electrical safety</b>	IEC 335
<b>Electrical enclosure protection</b>	Moulded IP65 (EN 60529)
<b>Standard voltages</b>	DC (=) : -
(Other voltages and 60 Hz on request) AC (~) : 24V - 48V - 115V - 230V / 50 Hz	



Prefix Option	Power Ratings				Operator Ambient Temperature Range (TS) (C°)	Replacement Coil		Type (1)
	Inrush ~ (VA)	Holding ~ (VA) (W)		Hot/ Cold = (W)		~	=	
		230 V/50 Hz	-					
SC	55	23	10.5	-	-20 to +75	400425-117	-	01
	110	33.6	15.4	-	-20 to +75	400525-117	-	02

(1) Refer to the dimensional drawings on the following page.

## Specifications

Pipe Size	Orifice Size	Flow Coefficient Kv		Minimum Absolute Vacuum Pressure (PS)	Power Coil (W)	Catalog Number
				Air (*)		
Rp	(mm)	(m <sup>3</sup> /h)	(l/min)	mbar (Torr)	~	~
<b>NC - Normally closed, medium vacuum range to 10<sup>-3</sup> Torr, NBR seals</b>						
3/8"	9	1.5	25	1.33.10-3 (10-3)	10.5	SCE030B013VM
1/2"	11	2.4	40	1.33.10-3 (10-3)	15.4	SCE030A017VM
<b>NC - Normally closed, high vacuum range to 10<sup>-6</sup> Torr, FPM seals</b>						
3/8"	9	1.5	25	1.33.10-6 (10-6)	10.5	SCE030B013VH
1/2"	11	2.4	40	1.33.10-6 (10-6)	15.4	SCE030A017VH

(\*) Ensure that compatibility of materials in contact with fluids is verified.

## Options

- Waterproof enclosure with embedded screw terminal coil according to protection class IP67, CEE-10
- Explosionproof enclosures for use in zones 1/21-2/22, categories 2-3 to ATEX Directive 2014/34/EU
- Electrical enclosures according to "NEMA" standards are available
- Compliance with "UL", "CSA" and other local approvals available on request
- Mounting brackets, suffix MB
- Other pipe connections are available on request
- Connector with visual indication and peak voltage suppression or with cable length of 2 m

## Installation

- The solenoid valves can be mounted in any position without affecting operation
- Pipe connection identifier is E = Rp (ISO 7/1)
- Installation/maintenance instructions are included with each valve

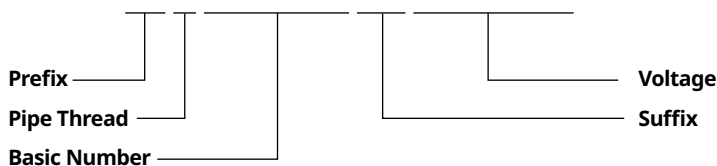
## Spare Parts Kit and Accessories

Catalogue Number	Spare Parts Kits No.	Mounting Bracket No.
	~	
SCE030B013	C302788	093200-001
SCE030A017	C302790	093200-001

(1) Standard prefixes/suffixes are also applicable to kits

## Ordering Examples Valves

SC E 030 A 017 VM 24V / 50 Hz  
SC E 030 A 017 VH 230V / 50 Hz



## Ordering Examples Kits

C302788 VM<sup>(1)</sup>  
C302788 VH<sup>(1)</sup>

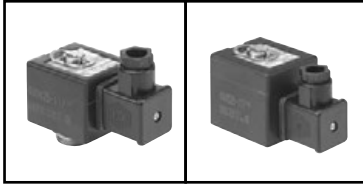


# ASCO™ Solenoid Valves

Direct Operated, for Vacuum Service, 3/8 - 1/2

**Series  
030  
2/2**

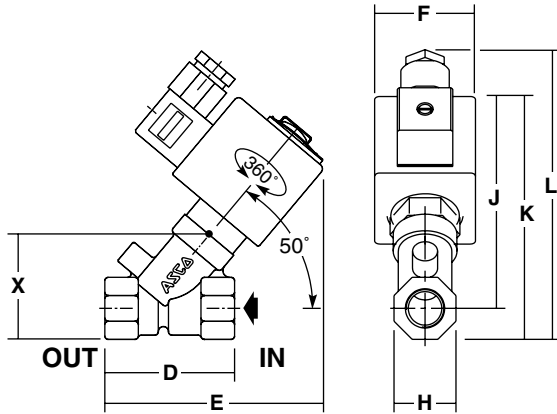
**Dimensions: mm, Weight: kg** 



**TYPE 01-02**  
Prefix "SC" Solenoid  
Epoxy moulded  
IEC 335 / ISO 4400  
IP65

Type 01: SCE030B013/B013VM/B013VH

Type 02: SCE030A017/A017VM/A017VH



Type	Prefix Option	A	B	C	D	E	F	H	J	K	L	X	Weight (1)
01	SC	-	-	-	48	80	45	22	84	95	126	36	0.5
02		-	-	-	58	98	50	28	94	108	128	42	0.9

(1) Including coil and connector.