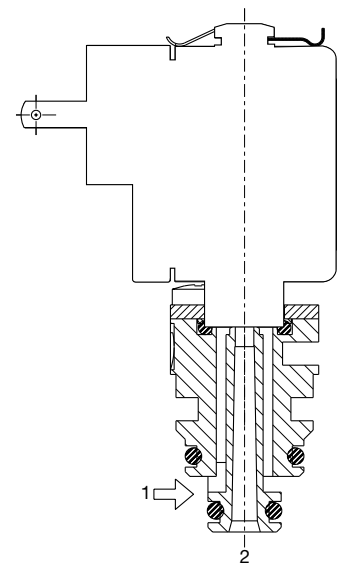
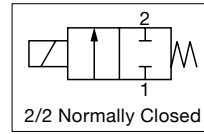


ASCO™ MINIATURE SOLENOID VALVES

GENERAL SERVICE VALVES, 2-WAY NORMALLY CLOSED - CARTRIDGE

- The Series 226 direct acting solenoid valve can be used with both liquids and gases
- Low power versions (0.5W), and latching coil versions (power consumption close to zero) results in a decrease in OEM instrument power consumption as well as a decrease in heat transferred to the fluid media
- Small form-factor saves space in OEM instruments and are well-suited for portable and hand-held field devices
- Multiple electrical connection options and a rotatable coil create greater flexibility in OEM instrument design and serviceability
- Various connections are available so that the valve can easily be integrated into virtually any fluidic path
- Meets all relevant CE directives, and is RoHS compliant
- Typical applications include:
 - Dental Equipment
 - Gas Chromatography
 - Industrial Analyzers
 - Respiratory Devices



Fluids*	Temperature Range	Seal Materials*
Liquids and gases	-10°C to 100°C (14°F to 212°F)	EPDM

* Ensure that the compatibility of the materials in contact with the fluids is verified.

General Valve Information	
Body	POM
Internal components	Stainless steel
Seat	POM
Core tube	Stainless steel
Maximum allowable pressure	16 bar (232 psi)
Response Time	<10ms
Max viscosity	3°E (22 cStokes or mm ² /s)

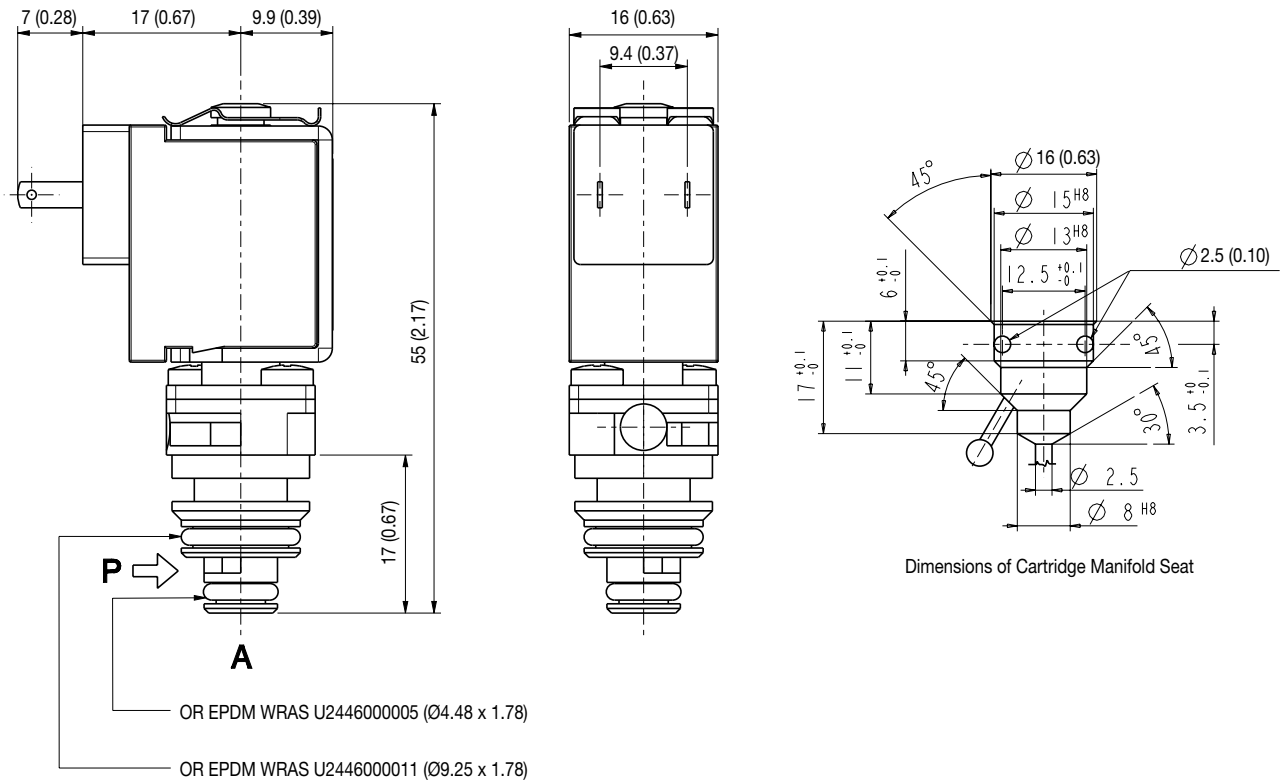
Electrical Characteristics	
Continuous duty	ED 100%
Encapsulation material	PA (Polyamide) fiberglass reinforced
Ambient temperature	-10°C to 60°C (14°F to 140°F)
Electric connection*	DIN 46340
Electrical Enclosure Protection	IP 65 (EN 60529) with micro plug connector
Standard Voltages	12 VDC, 24 VDC (-5%/+10%)

* leaded coil on request

Specifications															
Connection	Orifice size mm (inches)	Operating Pressure bar (psi)				Flow Coefficient		Power Rating			Seals	Catalog Number		Voltage	
		Ap min	Ap max.				Kv (m ³ /h)	Cv	AC (VA)			W	Valve	12V DC	24V DC
			Gases		Liquids				Inrush	Holding					
			AC	DC	AC	DC									
-	2 (0.079)	0	-	6 (87)	-	6 (87)	0.10	0.12	-	-	4	EPDM	P226A550S0A00	F3	F1

01079GB-2019-R01

Dimensions: mm (inches)



Installation

- Solenoid valve can be mounted in any position; vertical with coil upwards preferred.

NOTE:

- These micro-solenoid valves are not suitable for stagnating media subject to vaporization which deposit solid, calcareous, incrusting residues or similar.
- Sealings: EPDM = WRAS approved ethylene-propylene elastomer