

# ASCO™ Solenoid Valves

Pad Mounting Body

Direct Operated, For Subbase 1/4" or 1/2"

2/2 NC-NO

Series

**262**

## Features and Benefits

- High operating pressure
- RoHS compliance
- AC/DC interchangeability of the coil possible only for NC version only
- Large selection of seal materials providing wide chemical compatibility
- Compliance with UL and CSA standards
- The solenoid valves satisfy all relevant EU directives

## General

**Differential pressure** See «SPECIFICATIONS» [1 bar = 100 kPa]

**Maximum viscosity** 65 cSt (mm<sup>2</sup>/s)

**Response time** 5 - 25 ms

Fluids (*)	Temperature range (TS)	Seal materials (*)
air, inert gas, water, oil	-25°C to +80°C	NBR (nitrile)

## Materials of components in contact with fluid

(\*) Ensure that compatibility of materials in contact with fluids is verified.

<b>Body</b>	Brass
<b>Shading coil</b>	Copper
<b>Core tube</b>	Stainless steel
<b>Core and plugnut</b>	Stainless steel
<b>Springs</b>	Stainless steel
<b>Seal</b>	NBR
<b>Disc</b>	NBR
<b>Disc holder (NO function)</b>	PA

## Electrical characteristics

**Coil insulation class** F (AC) or H (DC)

**Connector** Spade plug (cable Ø 6-10 mm)

**Connector specification** ISO 4400 / EN 175301-803, form A

**Electrical safety** IEC 335

**Electrical enclosure protection** Moulded IP65 (EN 60529)

**Standard voltages** DC (=) : 24V - 48V

(Other voltages and 60 Hz on request) AC (~) : 24V - 48V - 115V - 230V/50 Hz

Operator ambient temperature range (TS) (°C)	Power ratings				Replacement coil <sup>(1)</sup>	
	Inrush ~ (VA)	Holding ~ (VA) (W)		Hot/Cold = (W)	~ 230 V/50 Hz	= 24 V DC
-25 to +55	50	25	10.1	8.5/11.6	238613-059	238913-006

<sup>(1)</sup> All 238 basic numbers are UL & CSA approved and marked with the UR (recognised component) & CSA logos.

## Options

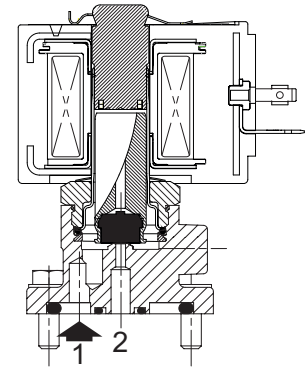
- **Seals and disc (\*)** (fluid temperature range) <sup>(2)</sup>
  - FPM (fluoroelastomer):
    - 15°C to +100°C (coil class F)
    - 15°C to +120°C (coil class H)
  - EPDM (ethylene-propylene), 0°C to +100°C
  - CR (chloroprene), 0°C to +80°C
- Oxygen service, FPM disc and seals, see "15-DIGIT PRODUCT CODE"
- Connector with visual indication and peak voltage suppression or with cable length of 2 m
- Explosionproof enclosures for use in zones 1/21-2/22, categories 2-3 to ATEX Directive 2014/34/EU (See page: 3)

(\*) Ensure that compatibility of materials in contact with fluids is verified..

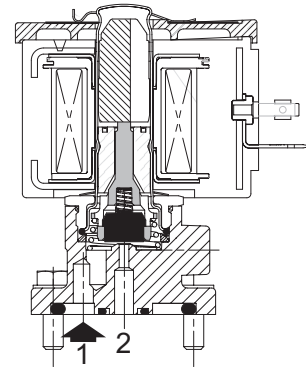
<sup>(2)</sup> The minimum ambient temperature of the solenoid valve is determined by the limitations of minimum temperature indicated.



CE



NC function



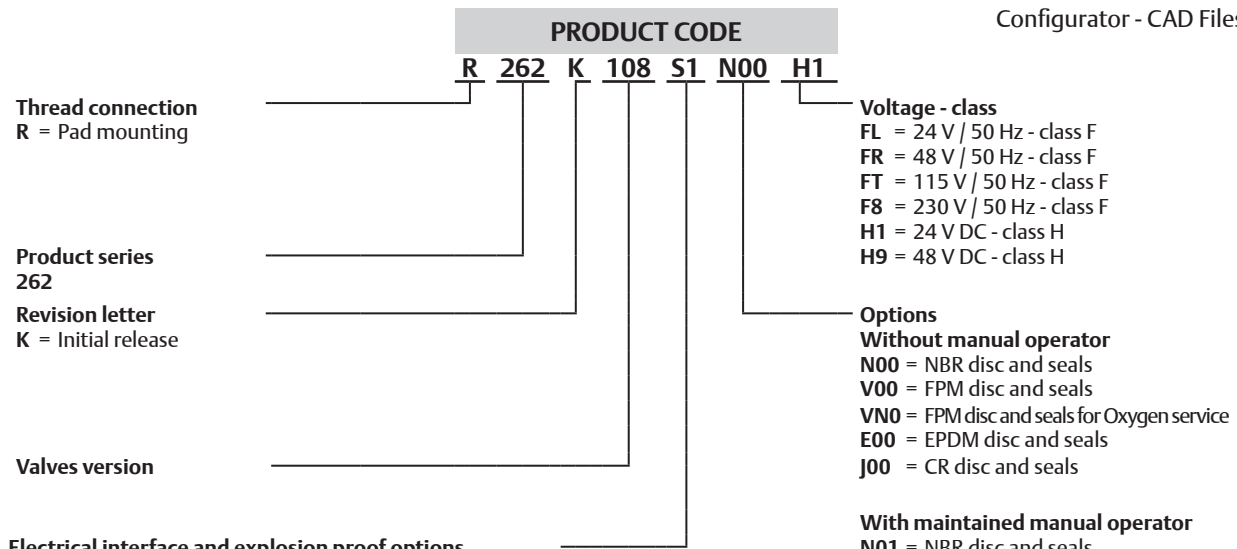
NO function

**Specifications**

Pipe size	Orifice size	Flow coefficient Kv		Operating pressure differential (bar)						Power coil (W)		Dimensions / Type <sup>(1)</sup>	PRODUCT CODE							
				Min.	Max. (PS)			Brass	Voltage code											
					Air (*)	Water (*)	Oil (*)		24 V/50 Hz				48 V/50 Hz	115 V/50 Hz	230 V/50 Hz	24 V/DC	48 V/DC			
	(mm)	(m <sup>3</sup> /h)	(l/min)		~	=	~	=	~	=	~	=								
<b>Without manual operator</b>																				
<b>NC - Normally closed, NBR seal and disc</b>																				
Pad mounting	1.2	0.05	0.8	0	103	68	103	66	103	58	10.1	11.6	01	R262K200S1W00 <sup>(2)</sup>	FL	FR	FT	F8	H1	H9
	2.4	0.18	3	0	40	16	28	16	28	15	10.1	11.6	01	R262K108S1N00						
	3.2	0.3	5	0	23	7.5	20	7	14	6.5	10.1	11.6	01	R262K232S1N00						
	4	0.45	7.5	0	14	3.5	13	3.5	10	3.5	10.1	11.6	01	R262K202S1N00						
	5.6	0.63	10.5	0	6.5	2	6.5	2	6.5	2	10.1	11.6	01	R262K208S1N00						
	7.1	0.76	12.7	0	4	1.5	5	1.5	4	1.3	10.1	11.6	01	R262K210S1N00						
<b>NO - Normally open, NBR seal and disc</b>																				
Pad mounting	1.2	0.05	0.8	0	79	44	62	33	55	22	10.1	11.6	02	R262K161S1W00 <sup>(2)</sup>	FL	FR	FT	F8	H1	H9
	2.4	0.18	3	0	18	11	15	9	12	6.5	10.1	11.6	02	R262K260S1N00						
	3.2	0.3	5	0	11	6.5	10	6.5	8.5	4.5	10.1	11.6	02	R262K262S1N00						
	4	0.47	7.8	0	6	4	6	3.5	4.5	3	10.1	11.6	02	R262K263S1N00						
	5.6	0.72	12	0	3	2	3	1.7	2.5	1.7	10.1	11.6	02	R262K264S1N00						
	7.1	0.83	13.8	0	2	1.3	2	1.1	2	1.1	10.1	11.6	02	R262K265S1N00						
<b>With maintained manual operator</b>																				
<b>NC - Normally closed, NBR seal and disc</b>																				
Pad mounting	2.4	0.18	3	0	40	16	28	16	28	15	10.1	11.6	01	R262K108S1N01	FL	FR	FT	F8	H1	H9
	3.2	0.3	5	0	23	7.5	20	7	14	6.5	10.1	11.6	01	R262K232S1N01						
	4	0.45	7.5	0	14	3.5	13	3.5	10	3.5	10.1	11.6	01	R262K202S1N01						
	5.6	0.63	10.5	0	6.5	2	6.5	2	6.5	2	10.1	11.6	01	R262K208S1N01						
	7.1	0.76	12.7	0	4	1.5	5	1.5	4	1.3	10.1	11.6	01	R262K210S1N01						

(\*) Ensure that compatibility of materials in contact with fluids is verified.  
<sup>(1)</sup> For dimensions, see drawing(s) for each construction type on the following page(s).  
<sup>(2)</sup> UR disc only, fluid temperature 0°C to +60°C, no other elastomer can be used.

Configurator - CAD Files



**Electrical interface and explosion proof options**

- S1** = With spade plug connector
- FN** = Aluminium enclosure, 1/2 NPT conduit, IECEx/ATEX  
II 2G Ex db IIC Gb / II 2D Ex tb IIIC Db, zone 1-21 (equivalent to NF prefix)<sup>(1)</sup>
- FT** = Aluminium enclosure, 20 mm conduit, IECEx/ATEX  
II 2G Ex db IIC Gb / II 2D Ex tb IIIC Db, zone 1-21 (equivalent to NFET prefix)<sup>(1)</sup>
- FS** = AISI 316L enclosure, 1/2 NPT conduit, IECEx/ATEX  
II 2G Ex db IIC Gb / II 2D Ex tb IIIC Db, zone 1-21 (equivalent to WSNF prefix)<sup>(1)</sup>
- FU** = AISI 316L enclosure, 20 mm conduit, IECEx/ATEX  
II 2G Ex db IIC Gb / II 2D Ex tb IIIC Db, zone 1-21 (equivalent to WSNFET prefix)<sup>(1)</sup>
- MV** = Steel enclosure, M20 cable gland, IECEx/ATEX  
II 2G Ex eb mb IIC Gb / II 2D Ex tb IIIC Db, zone 1-21 (equivalent to EM prefix)<sup>(1)</sup>
- MT** = Steel enclosure, 20 mm conduit, IECEx/ATEX  
II 2G Ex eb mb IIC Gb / II 2D Ex tb IIIC Db, zone 1-21 (equivalent to EMET prefix)<sup>(1)</sup>
- MN** = Steel enclosure, 1/2 NPT conduit, IECEx/ATEX  
II 2G Ex eb mb IIC Gb / II 2D Ex tb IIIC Db, zone 1-21 (equivalent to EMT prefix)<sup>(1)</sup>
- MW** = AISI 316 enclosure, M20 cable gland, IECEx/ATEX  
II 2G Ex eb mb IIC Gb / II 2D Ex tb IIIC Db, zone 1-21 (equivalent to WSEM prefix)<sup>(1)</sup>
- MU** = AISI 316 enclosure, 20 mm conduit, IECEx/ATEX  
II 2G Ex eb mb IIC Gb / II 2D Ex tb IIIC Db, zone 1-21 (equivalent to WSEMET prefix)<sup>(1)</sup>
- MS** = AISI 316 enclosure, 1/2 NPT conduit, IECEx/ATEX  
II 2G Ex eb mb IIC Gb / II 2D Ex tb IIIC Db, zone 1-21 (equivalent to WSEMT prefix)<sup>(1)</sup>
- A7** = Moulded enclosure, epoxy encapsulated, integrated cable, IECEx/ATEX  
II 2G Ex mb IIC Gb / II 2D Ex mb IIIC Db, zone 1-21 (equivalent to PV prefix)<sup>(1)</sup>
- SG** = Moulded coil with connector, epoxy encapsulated, ATEX  
II 3GD Ex ec IIC Gc / II 3GD Ex tc IIIC Dc, zone 22 (equivalent to SG prefix)<sup>(1)</sup>

<sup>(1)</sup> Search prefix in Emerson.com/asco to get detailed technical information.  
Please note that the valve pressure ratings with some of the ATEX enclosures will be reduced.  
To obtain the correct pressure rating please check the landing pages of the "2-Way Solenoid Valve DIN Configurator".

- Voltage - class**
- FL** = 24 V / 50 Hz - class F
  - FR** = 48 V / 50 Hz - class F
  - FT** = 115 V / 50 Hz - class F
  - F8** = 230 V / 50 Hz - class F
  - H1** = 24 V DC - class H
  - H9** = 48 V DC - class H

- Options**
- Without manual operator**
- N00** = NBR disc and seals
  - V00** = FPM disc and seals
  - VN0** = FPM disc and seals for Oxygen service
  - E00** = EPDM disc and seals
  - J00** = CR disc and seals

- With maintained manual operator**
- N01** = NBR disc and seals
  - V01** = FPM disc and seals
  - VN1** = FPM disc and seals for Oxygen service
  - E01** = EPDM disc and seals
  - J01** = CR disc and seals

		Spare parts kits no. (* )													
		AC (~)					DC (=)								
		NBR	FPM	FPM (oxygen)	EPDM	CR	NBR + UR		NBR	FPM	FPM (oxygen)	EPDM	CR	NBR + UR	
	R262K108	M200007	N00	V00	VN0	E00	J00	-	M200007	N00	V00	VN0	E00	J00	-
	R262K161	M200021	-	-	-	-	-	W00	-	-	-	-	-	-	-
	R262K200	M200007	-	-	-	-	-	W00	M200007	-	-	-	-	-	W00
	R262K202/208/210	M200007	N00	V00	VN0	E00	J00	-	M200007	N00	V00	VN0	E00	J00	-
	R262K232	M200007	N00	V00	VN0	E00	J00	-	M200007	N00	V00	VN0	E00	J00	-
	R262K260	M200015	N00	V00	VN0	E00	J00	-	M200031	N00	V00	VN0	E00	J00	-
	R262K261	M200016	N00	V00	VN0	E00	J00	-	M200031	-	-	-	-	-	W00
	R262K262/263/264/265	M200016	N00	V00	VN0	E00	J00	-	M200032	N00	V00	VN0	E00	J00	-

(\* ) Ensure that compatibility of materials in contact with fluids is verified.

01479GB-2022/R01 Availability, design and specifications are subject to change without notice. All rights reserved.

**Installation**

- The solenoid valves can be mounted in any position without affecting operation
- Installation/maintenance instructions are included with each valve

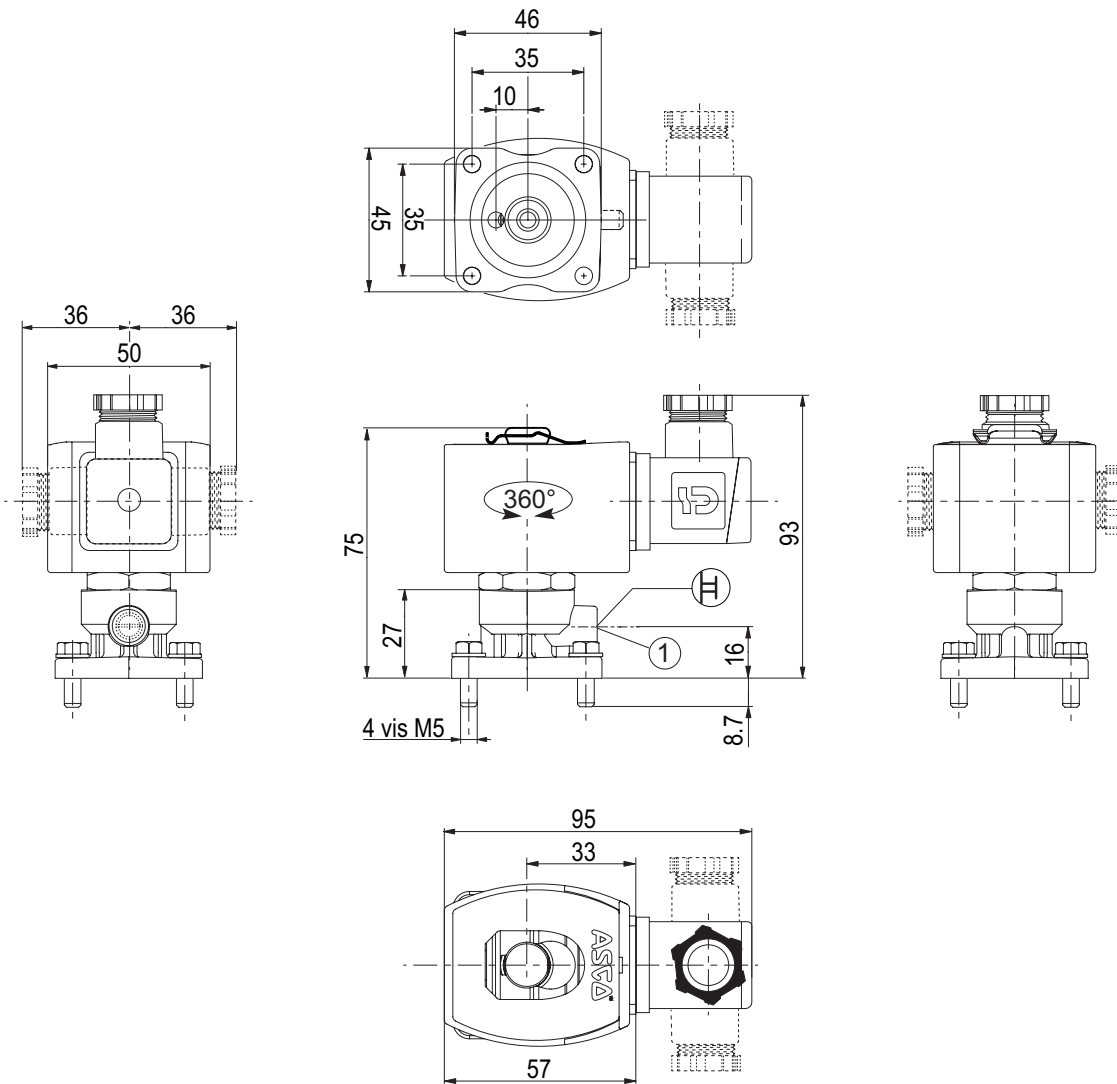
**Dimensions (mm), Weight (kg)**

Configurator - CAD Files



**TYPE 01**  
Electrical interface "S1"  
Epoxy moulded  
IEC 335 / ISO 4400  
IP65

NC: power coil, 10.1 W / 11.6 W



Type	Weight <sup>(1)</sup>
01	0.53

① Manual operator location

<sup>(1)</sup> Incl. coil(s) and connector(s).

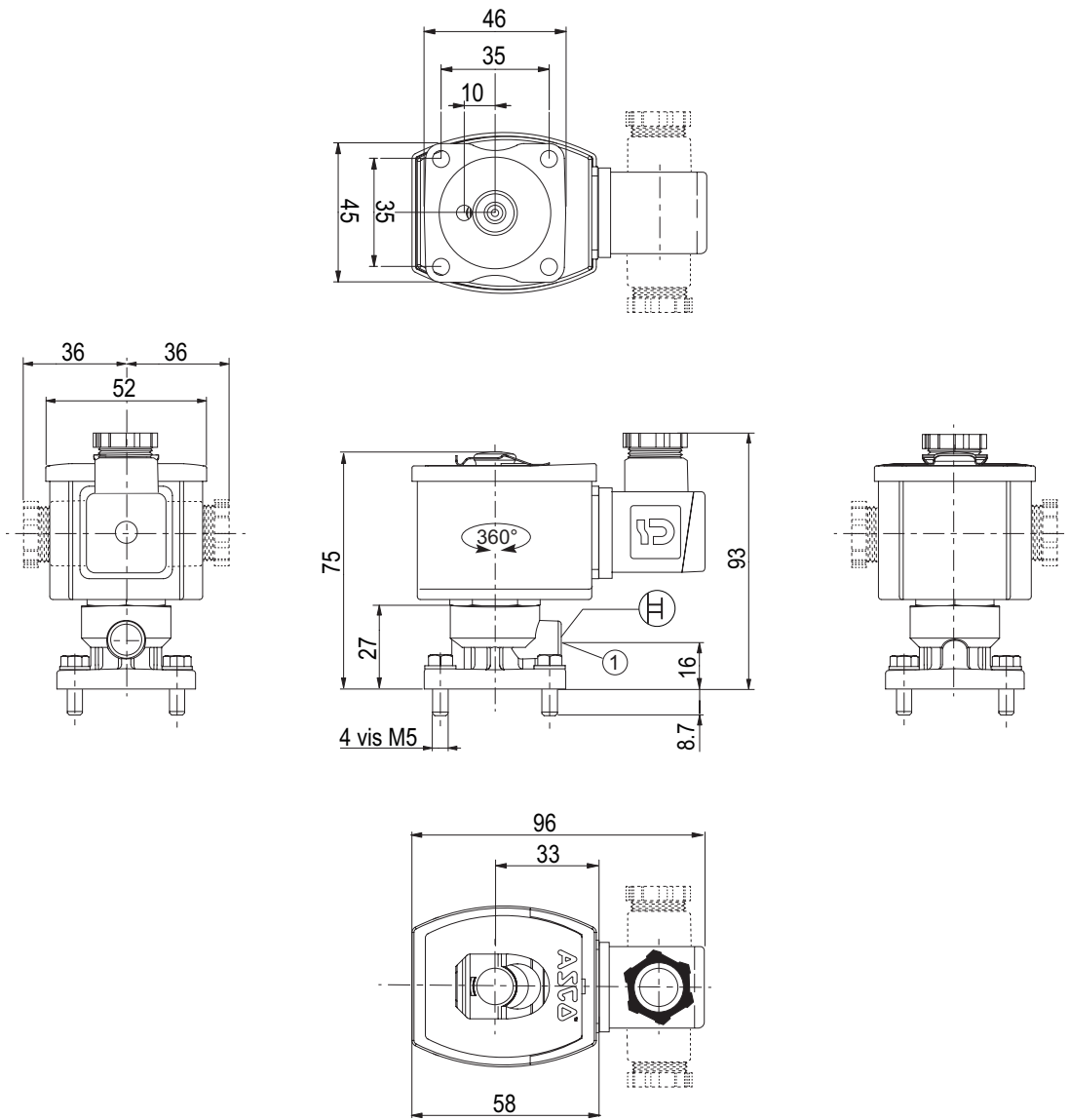
Dimensions (mm), Weight (kg)

Configurator - CAD Files



**TYPE 02**  
Electrical interface "S1"  
Epoxy moulded  
IEC 335 / ISO 4400  
IP65

NO: power coil, 10.1 W / 11.6 W



Type	Weight <sup>(1)</sup>
02	0.56

① Manual operator location

<sup>(1)</sup> Incl. coil(s) and connector(s).