

# ASCO™ Pneumatic Angle Seat Valves

2-way, Pressure Operated, Stainless Steel Body, Plastic or Stainless Steel Actuator  
25 to 91 O.D. Stub, Clamp Body

2/2  
Series  
**290**

## Features and Benefits

- Special design of the valve prevents external build up and is easy to clean
- All wetted parts are available for contact with food in compliance with the EC Directive 1935/2004 and FDA CFR21
- Exhaust air can be easily ducted to reduce emissions and protect the environment
- Specifications are laser marked on the valve to prevent loss during high pressure washing
- Ample fluid passage for optimal flow
- Adjustable actuator enables 360° access to pilot port
- Modular design provides exceptional flexibility
- Anti-water hammer design and back pressure resistant
- Extensive range of actuators, options, certifications and accessories

## General

Differential pressure	See Specifications section [1 bar = 100 kPa]
Vacuum	10 <sup>-2</sup> mbar (10 <sup>-2</sup> Torr/mm Hg)
Maximum allowable pressure	16 bar (240 psi)
Ambient temperature range	
Plastic actuator	-10°C to +60°C (14°F to 140°F)
Stainless steel actuator	-20°C to +70°C (-4°F to 158°F)
Maximum viscosity	800 cSt (mm <sup>2</sup> /s) (2.700 SSU)
Pilot fluid	Filtered air or water
Maximum pilot pressure	10 bar (150 psi) / bistable function: 8 bar (120 psi)
Minimum pilot pressure	See Specifications section
Response time	See dedicated pilot catalog pages

Fluids (*)	Temperature range (TS) <sup>(1)</sup>	Disc seal (*)
Up to DN 50: air and gas groups 1 and 2	Plastic actuator: -10°C to +184°C (14°F to 360°F)	PTFE
All DN: liquids and steam groups 1 and 2	Stainless steel actuator: -20°C to 140°C (-4°F to 184°F)	
	WSF option: -10°C to +184°C (14°F to 360°F)	

## Materials of components in contact with fluid

(\*) Ensure that compatibility of materials in contact with fluids is verified.

	Plastic and stainless steel actuators	All 316L grade version with body passivation
Body	Stainless steel AISI 316L	Stainless steel AISI 316L
Stuffing box housing	Stainless steel AISI 316L	Stainless steel AISI 316L
Stem	Stainless steel AISI 431	Stainless steel AISI 316L
Disc	Stainless steel AISI 316L	Stainless steel AISI 316L
Disc seal	PTFE	PTFE
Wiper seal	FPM	FPM
Stuffing box packing	PTFE	PTFE
Valve body seal	PTFE	PTFE
CLAMP connection	AISI 316L (NET-INOX treatment)	
	ISO 2852 for pipe ISO 1127 (page 2)	
	Clamp SMS 3017 (page 6)	
	Clamp DIN 32676 - A (page 8)	
	Clamp ASME BPE (page 11)	
Pilot port insert	Brass or stainless steel AISI 316L	

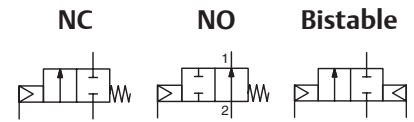
## Other components

Actuator	Glass fiber filled PA or stainless steel AISI 316L
Optical position indicator	PA 12

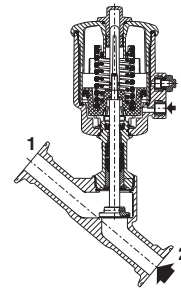
## Certifications and Approvals

- Pressure Equipment Directive 2014/68/EU, Category 1 (DN > 25) or article 4.3 (DN ≤ 25)
- Functional Safety of Machinery: EN ISO 13849-1
- Reach compliant
- IEC 61508 Standard (2010 route 2<sub>H</sub> version) certified with integrity levels: SIL 2 for HFT = 0
- The valves satisfy all relevant EU and EAC directives
- RoHS compatible

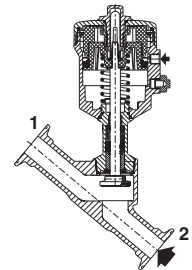
<sup>(1)</sup> The minimum ambient temperature of the valve is determined by the limitations of minimum temperature indicated.



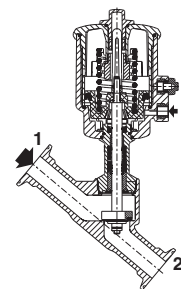
NC function, entry under the disc, 63 mm plastic actuator



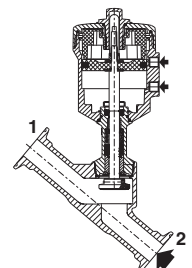
NO function, entry under the disc, 63 mm stainless steel actuator



NC function, entry above the disc, 63 mm plastic actuator



Bistable function, 63 mm stainless steel actuator



**Options <sup>(1)</sup>**

- Food contact certified: Wetted parts EC 1935/2004 and FDA CFR21
- Oxygen service pressure limited to 15 bar (220 psi), ambient and media temperatures limited to +60°C (140°F)
- Explosive atmospheres, ATEX and IECEx compliant
- Medium vacuum service up to 10<sup>-3</sup> mb (10<sup>-3</sup> Torr)
- Visual position indicator for 32 mm and 50 mm plastic actuators (standard position indicators for other plastic actuator sizes and stainless steel actuators)
- Pilots (see dedicated catalog pages)
- Large range of switch boxes and digital positioners (see dedicated catalog pages)
- Valve body material composition certificate 3.1

<sup>(1)</sup> See Choice of options and accessories (page 19)

**Specifications (Clamp ISO 2852 for pipe ISO 1127)**

O.D. of stub	I.D. of stub	DN	Flow coefficient		Pilot pressure		Operating pressure differential			Actuator diameter	Dimensions / Type <sup>(2)</sup>	Piloting connection	Catalog number	
							bar (psi)						Clamp ISO 2852 for pipe ISO 1127	
			Kv (Cv)	Min.	Max.	Air, inert gas (*)	Water, oil, liquids (*)	Steam <sup>(1)</sup> ≤ 140°C (≤ 284°F) (*)	Plastic actuator				Stainless steel actuator	
<b>NC - Normally closed, entry under the disc</b>														
34	9	10	2.5 (2.9)	41	4.7 (75)	10 (150)	16 (240)	16 (240)	10 (150)	32	01	G*	W290D011CSA0000	W290D01PCSA0000
												NPT	W290D012CSA0000	W290D01QCSA0000
34	15	15	4.7 (5.4)	78	4.7 (75)	10 (150)	10 (150)	10 (150)	10 (150)	32	01	G*	W290D021CSA0000	W290D02PCSA0000
												NPT	W290D022CSA0000	W290D02QCSA0000
		90	5.4 (6.2)		4.5 (70)	10 (150)	16 (240)	16 (240)	10 (150)	50	02	G*	W290D023CSA0000	W290D02RCSA0000
					2.8 (45)	10 (150)	16 (240)	16 (240)	10 (150)	63	03	G*	W290D025CSA0000	W290D02TCSA0000
												NPT <sup>(3)</sup>	W290D026CSA0000	W290D02UCSA0000
50.5	20	20	7.5 (8.7)	125	4.7 (75)	10 (150)	6 (90)	6 (90)	6 (90)	32	01	G*	W290D031CSA0000	W290D03PCSA0000
												NPT <sup>(3)</sup>	W290D032CSA0000	W290D03QCSA0000
		113	4.5 (70)		4.5 (70)	10 (150)	10 (150)	10 (150)	10 (150)	50	02	G*	W290D033CSA0000	W290D03RCSA0000
					4.5 (70)	10 (150)	16 (240)	16 (240)	10 (150)	63	03	G*	W290D034CSA0000	W290D03SCSA0000
	15	113	4.5 (70)		2.8 (45)	10 (150)	12 (180)	12 (180)	10 (150)	63	03	G*	W290D035CSA0000	W290D03TCSA0000
												NPT <sup>(3)</sup>	W290D036CSA0000	W290D03UCSA0000
		6.8 (7.9)	2.8 (45)		4.5 (70)	10 (150)	6 (90)	6 (90)	6 (90)	50	02	G*	W290D043CSA0000	W290D04RCSA0000
												NPT <sup>(3)</sup>	W290D044CSA0000	W290D04SCSA0000
50.5	21	25	12.9 (15)	215	4.5 (70)	10 (150)	10 (150)	10 (150)	10 (150)	63	03	G*	W290D045CSA0000	W290D04TCSA0000
												NPT <sup>(3)</sup>	W290D046CSA0000	W290D04UCSA0000
		14.9 (17.3)	15.4 (17.8)	256	4.5 (70)	10 (150)	16 (240)	16 (240)	10 (150)	90	04	G*	W290D04BCSA0000	W290D04XCSA0000
												NPT <sup>(3)</sup>	W290D04CCSA0000	W290D04YCSA0000
		248	14.9 (17.3)	248	2.8 (45)	10 (150)	6 (90)	6 (90)	6 (90)	63	03	G*	W290D745CSA0000	W290D74TCSA0000
												NPT <sup>(3)</sup>	W290D746CSA0000	W290D74UCSA0000
15.4 (17.8)	256	2.8 (45)	10 (150)	12 (180)	12 (180)	10 (150)	90	04	G*	W290D74BCSA0000	W290D74XCSA0000			
										NPT <sup>(3)</sup>	W290D74CCSA0000	W290D74YCSA0000		

(\*) Ensure that compatibility of materials in contact with fluids is verified.

<sup>(1)</sup> Only with stainless steel actuator.

<sup>(2)</sup> For dimensions, see drawing(s) for each construction type on the following page(s).

<sup>(3)</sup> Plastic actuator: NPTF / Stainless steel actuator: NPT

01535GB-2021/RO1  
Availability, design and specifications are subject to change without notice. All rights reserved.

## Specifications (Clamp ISO 2852 for pipe ISO 1127)

O.D. of stub	I.D. of stub	DN	Flow coefficient		Pilot pressure		Operating pressure differential			Actuator diameter / Dimensions / Type <sup>(2)</sup>	Pilot connection	Catalog number		
							bar (psi)					Clamp ISO 2852 for pipe ISO 1127		
			Kv	(Cv)	Min.	Max.	Air, inert gas (*)	Water, oil, liquids (*)	Steam <sup>(1)</sup> ≤ 140°C (≤ 284°F) (*)					Stainless steel body
												m <sup>3</sup> /h (gal/min)	(l/min)	Plastic actuator
50.5	30.3	32	27.3 (31.6)	455	4.5 (70)	10 (150)	6 (90)	6 (90)	6 (90)	63	03	G*	W290D055CSA0000	W290D05TCSA0000
			NPT <sup>(3)</sup>		W290D056CSA0000	W290D05UCSA0000								
			28.5 (33)	475	4.5 (70)	10 (150)	12 (180)	12 (180)	10 (150)	90	04	G*	W290D05BCSA0000	W290D05XCSA0000
			NPT <sup>(3)</sup>		W290D05CCSA0000	W290D05YCSA0000								
			27.3 (31.6)	455	2.8 (45)	10 (150)	3 (45)	3 (45)	3 (45)	63	03	G*	W290D755CSA0000	W290D75TCSA0000
		NPT <sup>(3)</sup>	W290D756CSA0000		W290D75UCSA0000									
		28.5 (33)	475	2.8 (45)	10 (150)	7 (105)	7 (105)	7 (105)	90	04	G*	W290D75BCSA0000	W290D75XCSA0000	
		NPT <sup>(3)</sup>		W290D75CCSA0000	W290D75YCSA0000									
		32.3 (37.5)	538	4 (60)	10 (150)	16 (240)	16 (240)	10 (150)	125	05	G*	W290D05HCSA0000	-	
		NPT <sup>(3)</sup>		W290D05JCSA0000	-									
64	33	40	33.7 (39)	561	4.5 (70)	10 (150)	4 (60)	4 (60)	4 (60)	63	03	G*	W290D065CSA0000	W290D06TCSA0000
			NPT <sup>(3)</sup>		W290D066CSA0000	W290D06UCSA0000								
			35.4 (41)	590	4.5 (70)	10 (150)	8 (120)	8 (120)	8 (120)	90	04	G*	W290D06BCSA0000	W290D06XCSA0000
			NPT <sup>(3)</sup>		W290D06CCSA0000	W290D06YCSA0000								
			40.2 (46.6)	670	4 (60)	10 (150)	16 (240)	16 (240)	10 (150)	125	05	G*	W290D06HCSA0000	-
		NPT <sup>(3)</sup>	W290D06JCSA0000		-									
		35.4 (41)	590	2.8 (45)	10 (150)	4 (58)	4 (58)	4 (58)	90	04	G*	W290D76BCSA0000	W290D76XCSA0000	
		NPT <sup>(3)</sup>		W290D76CCSA0000	W290D76YCSA0000									
		40.2 (46.6)	670	2.5 (40)	10 (150)	10 (150)	10 (150)	10 (150)	125	05	G*	W290D76HCSA0000	-	
		NPT <sup>(3)</sup>		W290D76JCSA0000	-									
77.5	46.5	50	51 (59.1)	850	4.5 (70)	10 (150)	2.5 (40)	2.5 (40)	2.5 (40)	63	03	G*	W290D075CSA0000	W290D07TCSA0000
			NPT <sup>(3)</sup>		W290D076CSA0000	W290D07UCSA0000								
			55.1 (63.8)	918	4.5 (70)	10 (150)	6 (90)	6 (90)	6 (90)	90	04	G*	W290D07BCSA0000	W290D07XCSA0000
			NPT <sup>(3)</sup>		W290D07CCSA0000	W290D07YCSA0000								
		70.4 (81.6)	1173	4 (60)	10 (150)	10 (150)	10 (150)	10 (150)	125	05	G*	W290D07HCSA0000	-	
				NPT <sup>(3)</sup>		W290D07JCSA0000	-							
		70.4 (81.6)	1173	2.5 (40)	10 (150)	5 (75)	5 (75)	5 (75)	125	05	G*	W290D77HCSA0000	-	
				NPT <sup>(3)</sup>		W290D77JCSA0000	-							
91	65	65	90.4 (104.8)	1506	4.5 (70)	10 (150)	2 (30)	2 (30)	2 (30)	90	04	G*	W290D08BCSA0000	W290D08XCSA0000
			NPT <sup>(3)</sup>		W290D08CCSA0000	W290D08YCSA0000								
		109.1 (126.5)	1818	4 (60)	10 (150)	6 (90)	6 (90)	6 (90)	125	05	G*	W290D08HCSA0000	-	
		NPT <sup>(3)</sup>		W290D08JCSA0000	-									
<b>NO - Normally open, entry under the disc</b>														
34	9	10	2.5 (2.9)	41	IX(*)	10 (150)	16 (240)	16 (240)	10 (150)	32	01	G*	W290D111CSA0000	W290D11PCSA0000
			NPT <sup>(3)</sup>			W290D112CSA0000	W290D11QCSA0000							
34	15	15	4.7 (5.4)	78	IX(*)	10 (150)	16 (240)	16 (240)	10 (150)	32	01	G*	W290D121CSA0000	W290D12PCSA0000
			NPT <sup>(3)</sup>			W290D122CSA0000	W290D12QCSA0000							
		5.4 (6.2)	90	I(*)	10 (150)	16 (240)	16 (240)	10 (150)	50	02	G*	W290D123CSA0000	W290D12RCSA0000	
				NPT <sup>(3)</sup>	W290D124CSA0000	W290D12SCSA0000								
5.4 (6.2)	90	II(*)	10 (150)	16 (240)	16 (240)	10 (150)	63	03	G*	W290D125CSA0000	W290D12TCSA0000			
		NPT <sup>(3)</sup>	W290D126CSA0000	W290D12UCSA0000										

(\*) Ensure that compatibility of materials in contact with fluids is verified.  
 (\*) Minimum pilot pressure varies with differential pressure, see page 18  
<sup>(1)</sup> Only with stainless steel actuator.  
<sup>(2)</sup> For dimensions, see drawing(s) for each construction type on the following page(s).  
<sup>(3)</sup> Plastic actuator: NPTF / Stainless steel actuator: NPT

01535GB-2021/R01 Availability, design and specifications are subject to change without notice. All rights reserved.

**Specifications (Clamp ISO 2852 for pipe ISO 1127)**

O.D. of stub	I.D. of stub	DN	Flow coefficient		Pilot pressure		Operating pressure differential			Actuator diameter	Dimensions / Type (2)	Pilot connection	Catalog number		
							bar (psi)						Clamp ISO 2852 for pipe ISO 1127		
			Kv (Cv)	Min.	Max.	Air, inert gas (*)	Water, oil, liquids (*)	Steam (1) ≤ 140°C (≤ 284°F) (*)	Plastic actuator				Stainless steel actuator		
50.5	20	20	7.5 (8.7)	125	IX (*)	10 (150)	16 (240)	16 (240)	10 (150)	32	01	G*	W290D131CSA0000	W290D13PCSA0000	
													NPT (3)	W290D132CSA0000	W290D13QCSA0000
	15	20	6.8 (7.9)	113	I (*)	10 (150)	16 (240)	16 (240)	10 (150)	50	02	G*	W290D133CSA0000	W290D13RCSA0000	
													NPT (3)	W290D134CSA0000	W290D13SCSA0000
50.5	21	25	12.9 (15)	215	I (*)	10 (150)	16 (240)	16 (240)	10 (150)	50	02	G*	W290D135CSA0000	W290D13TCSA0000	
													NPT (3)	W290D136CSA0000	W290D13UCSA0000
	21	25	14.9 (17.3)	248	II (*)	10 (150)	16 (240)	16 (240)	10 (150)	63	03	G*	W290D143CSA0000	W290D14RCSA0000	
													NPT (3)	W290D144CSA0000	W290D14SCSA0000
50.5	21	25	15.4 (17.8)	256	III (*)	10 (150)	16 (240)	16 (240)	10 (150)	90	04	G*	W290D145CSA0000	W290D14TCSA0000	
													NPT (3)	W290D146CSA0000	W290D14UCSA0000
	30.3	32	27.3 (31.6)	455	II (*)	10 (150)	16 (240)	16 (240)	10 (150)	63	03	G*	W290D14BCSA0000	W290D14XCSA0000	
													NPT (3)	W290D14CCSA0000	W290D14YCSA0000
50.5	30.3	32	28.5 (33)	475	III (*)	10 (150)	16 (240)	16 (240)	10 (150)	90	04	G*	W290D155CSA0000	W290D15TCSA0000	
													NPT (3)	W290D156CSA0000	W290D15UCSA0000
	30.3	32	32.3 (37.4)	538	IV (*)	10 (150)	16 (240)	16 (240)	10 (150)	125	05	G*	W290D15BCSA0000	W290D15XCSA0000	
													NPT (3)	W290D15CCSA0000	W290D15YCSA0000
64	33	40	33.7 (39)	561	II (*)	10 (150)	11 (160)	11 (160)	10 (150)	63	03	G*	W290D15HCSA0000	-	
													NPT (3)	W290D15JCSA0000	-
	33	40	35.4 (41)	590	III (*)	10 (150)	16 (240)	16 (240)	10 (150)	90	04	G*	W290D165CSA0000	W290D16TCSA0000	
													NPT (3)	W290D166CSA0000	W290D16UCSA0000
64	33	40	40.2 (46.6)	670	IV (*)	10 (150)	16 (240)	16 (240)	10 (150)	125	05	G*	W290D16BCSA0000	W290D16XCSA0000	
													NPT (3)	W290D16CCSA0000	W290D16YCSA0000
	77.5	46.5	50	51 (59.1)	850	II (*)	10 (150)	7 (105)	7 (105)	7 (105)	63	03	G*	W290D16HCSA0000	-
														NPT (3)	W290D16JCSA0000
77.5	46.5	50	55.1 (63.8)	918	III (*)	10 (150)	13 (200)	13 (200)	10 (150)	90	04	G*	W290D175CSA0000	W290D17TCSA0000	
													NPT (3)	W290D176CSA0000	W290D17UCSA0000
	46.5	50	70.4 (81.6)	1173	IV (*)	10 (150)	16 (240)	16 (240)	10 (150)	125	05	G*	W290D17BCSA0000	W290D17XCSA0000	
													NPT (3)	W290D17CCSA0000	W290D17YCSA0000
91	65	65	90.4 (104.8)	1506	III (*)	10 (150)	7 (105)	7 (105)	7 (105)	90	04	G*	W290D17HCSA0000	-	
													NPT (3)	W290D17JCSA0000	-
	65	65	109.1 (126.5)	1818	IV (*)	10 (150)	16 (240)	16 (240)	10 (150)	125	05	G*	W290D18BCSA0000	W290D18XCSA0000	
													NPT (3)	W290D18CCSA0000	W290D18YCSA0000
<b>NC - Normally closed, entry above the disc (version recommended for rapid-cycling steam applications)</b>															
34	9	10	2.7 (3.1)	45	X (*)	10 (150)	10 (150)	-	10 (150)	32	01	G*	W290D18HCSA0000	-	
													NPT (3)	W290D18JCSA0000	-
34	15	15	5 (5.8)	83	X (*)	10 (150)	10 (150)	-	10 (150)	32	01	G*	W290D18BCSA0000	W290D18XCSA0000	
													NPT (3)	W290D18CCSA0000	W290D18YCSA0000
	15	15	4.8 (5.5)	80	V (*)	10 (150)	10 (150)	-	10 (150)	50	02	G*	W290D175CSA0000	W290D17TCSA0000	
													NPT (3)	W290D176CSA0000	W290D17UCSA0000
15	15	4.8 (5.5)	80	VI (*)	10 (150)	10 (150)	-	10 (150)	63	03	G*	W290D17BCSA0000	W290D17XCSA0000		
												NPT (3)	W290D17CCSA0000	W290D17YCSA0000	

(\*) Ensure that compatibility of materials in contact with fluids is verified.  
 (\*) Minimum pilot pressure varies with differential pressure, see page 18  
 (1) Only with stainless steel actuator.  
 (2) For dimensions, see drawing(s) for each construction type on the following page(s).  
 (3) Plastic actuator: NPTF / Stainless steel actuator: NPT

01535GB-2021/RO1  
Availability, design and specifications are subject to change without notice. All rights reserved.



## Specifications (Clamp ISO 2852 for pipe ISO 1127)

O.D. of stub	I.D. of stub	DN	Flow coefficient		Pilot pressure		Operating pressure differential			Actuator diameter	Dimensions / Type <sup>(2)</sup>	Pilot connection	Catalog number			
							bar (psi)						Clamp ISO 2852 for pipe ISO 1127			
			Kv	(Cv)	Min.	Max.	Air, inert gas (*)	Water, oil, liquids (*)	Steam <sup>(1)</sup> ≤ 140°C (≤ 284°F) (*)				Stainless steel body			
													Plastic actuator	Stainless steel actuator		
50.5	20	20	7.8 (9)	130	X(*)	10 (150)	10 (150)	-	10 (150)	32	01	G*	W290D331CSA0000	W290D33PCSA0000		
			NPT	W290D332CSA0000	W290D33QCSA0000											
	15	20	7.2 (8.3)	120	V(*)	10 (150)	10 (150)	-	10 (150)	50	02	G*	W290D333CSA0000	W290D33RCSA0000		
					NPT <sup>(3)</sup>	W290D334CSA0000	W290D33SCSA0000									
			VI(*)	10 (150)	10 (150)	-	10 (150)	63	03	G*	W290D335CSA0000	W290D33TCSA0000				
										NPT <sup>(3)</sup>	W290D336CSA0000	W290D33UCSA0000				
50.5	21	25	13.2 (15.3)	220	V(*)	10 (150)	10 (150)	-	10 (150)	50	02	G*	W290D343CSA0000	W290D34RCSA0000		
			NPT <sup>(3)</sup>	W290D344CSA0000	W290D34SCSA0000											
	15	25	15.9 (18.4)	265	VI(*)	10 (150)	10 (150)	-	10 (150)	63	03	G*	W290D345CSA0000	W290D34TCSA0000		
												NPT <sup>(3)</sup>	W290D346CSA0000	W290D34UCSA0000		
			30.3	32	28.3 (32.8)	471	VI(*)	10 (150)	10 (150)	-	10 (150)	63	03	G*	W290D355CSA0000	W290D35TCSA0000
					NPT <sup>(3)</sup>	W290D356CSA0000	W290D35UCSA0000									
64	33	40	37.9 (44)	631	VI(*)	10 (150)	10 (150)	-	10 (150)	63	03	G*	W290D365CSA0000	W290D36TCSA0000		
												NPT <sup>(3)</sup>	W290D366CSA0000	W290D36UCSA0000		
			31.9 (37)	531	VII(*)	10 (150)	10 (150)	-	10 (150)	-	10 (150)	90	04	G*	W290D36BSCSA0000	W290D36XCSCSA0000
														NPT <sup>(3)</sup>	W290D36CCSA0000	W290D36YCSCSA0000
77.5	46.5	50	56 (65)	933	VI(*)	10 (150)	9 (135)	-	9 (135)	63	03	G*	W290D375CSA0000	W290D37TCSA0000		
			NPT <sup>(3)</sup>	W290D376CSA0000	W290D37UCSA0000											
	15	50	49 (56.8)	816	VII(*)	10 (150)	10 (150)	-	10 (150)	90	04	G*	W290D37BCSA0000	W290D37XCSCSA0000		
												NPT <sup>(3)</sup>	W290D37CCSA0000	W290D37YCSCSA0000		
			65	65	67.8 (78.6)	1130	VII(*)	10 (150)	10 (150)	-	10 (150)	90	04	G*	W290D38BCSA0000	W290D38XCSCSA0000
														NPT <sup>(3)</sup>	W290D38CCSA0000	W290D38YCSCSA0000
<b>Bistable function (version recommended for high fast cycling)</b>																
34	9	10	2.5 (2.9)	41	XII(*)	8 (120)	10 (150)	10 (150)	-	32	01	G*	W290D411CSA0000	W290D41PCSA0000		
												NPT	W290D412CSA0000	W290D41QCSA0000		
34	15	15	4.7 (5.4)	78	XII(*)	8 (120)	10 (150)	10 (150)	-	32	01	G*	W290D421CSA0000	W290D42PCSA0000		
												NPT	W290D422CSA0000	W290D42QCSA0000		
			5.4 (6.2)	90	X(*)	8 (120)	10 (150)	10 (150)	-	10 (150)	50	02	G*	W290D423CSA0000	W290D42RCSA0000	
													NPT <sup>(3)</sup>	W290D424CSA0000	W290D42SCSA0000	
					XI(*)	8 (120)	10 (150)	10 (150)	-	63	03	G*	W290D425CSA0000	W290D42TCSA0000		
												NPT <sup>(3)</sup>	W290D426CSA0000	W290D42UCSA0000		
50.5	20	20	7.5 (8.7)	125	XII(*)	8 (120)	10 (150)	10 (150)	-	32	01	G*	W290D431CSA0000	W290D43PCSA0000		
			NPT	W290D432CSA0000	W290D43QCSA0000											
	15	20	6.8 (7.9)	113	X(*)	8 (120)	10 (150)	10 (150)	-	50	02	G*	W290D433CSA0000	W290D43RCSA0000		
												NPT <sup>(3)</sup>	W290D434CSA0000	W290D43SCSA0000		
			XI(*)	8 (120)	10 (150)	10 (150)	-	63	03	G*	W290D435CSA0000	W290D43TCSA0000				
										NPT <sup>(3)</sup>	W290D436CSA0000	W290D43UCSA0000				
50.5	21	25	12.9 (15)	215	X(*)	8 (120)	10 (150)	10 (150)	-	50	02	G*	W290D443CSA0000	W290D44RCSA0000		
			NPT <sup>(3)</sup>	W290D444CSA0000	W290D44SCSA0000											
	15	25	14.9 (17.3)	248	XI(*)	8 (120)	10 (150)	10 (150)	-	63	03	G*	W290D445CSA0000	W290D44TCSA0000		
												NPT <sup>(3)</sup>	W290D446CSA0000	W290D44UCSA0000		

(\*) Ensure that compatibility of materials in contact with fluids is verified.

(\*) Minimum pilot pressure varies with differential pressure, see page 18

<sup>(1)</sup> Only with stainless steel actuator.

<sup>(2)</sup> For dimensions, see drawing(s) for each construction type on the following page(s).

<sup>(3)</sup> Plastic actuator: NPTF / Stainless steel actuator: NPT

01535GB-2021/RO1  
Availability, design and specifications are subject to change without notice. All rights reserved.

**Specifications (Clamp SMS 3017)**

O.D. of stub	I.D. of stub	DN	Flow coefficient		Pilot pressure		Operating pressure differential			Actuator diameter	Dimensions / Type <sup>(1)</sup>	Piloting connection	Catalog number	
							bar (psi)						Clamp SMS 3017	
			Kv (Cv)	m <sup>3</sup> /h (gal/min)	l/min	Min.	Max.	Air, inert gas (*)	Water, oil, liquids (*)				Steam <sup>(1)</sup> ≤ 140°C (≤ 284°F) (*)	(mm)
<b>NC - Normally closed, entry under the disc</b>														
50.5	21	25	12.9 (15)	215	4.5 (70)	10 (150)	6 (90)	6 (90)	6 (90)	50	02	G*	W290D0435SA0000	W290D04R55SA0000
			NPT <sup>(3)</sup>	W290D0445SA0000	W290D0455SA0000									
		14.9 (17.3)	248	4.5 (70)	10 (150)	10 (150)	10 (150)	10 (150)	63	03	G*	W290D0455SA0000	W290D04T5SA0000	
		NPT <sup>(3)</sup>	W290D0465SA0000	W290D04U5SA0000										
		15.4 (17.8)	256	4.5 (70)	10 (150)	16 (240)	16 (240)	10 (150)	90	04	G*	W290D04B5SA0000	W290D04X5SA0000	
		NPT <sup>(3)</sup>	W290D04C5SA0000	W290D04Y5SA0000										
		14.9 (17.3)	248	2.8 (45)	10 (150)	6 (90)	6 (90)	6 (90)	63	03	G*	W290D7455SA0000	W290D74T5SA0000	
		NPT <sup>(3)</sup>	W290D7465SA0000	W290D74U5SA0000										
		15.4 (17.8)	256	2.8 (45)	10 (150)	12 (180)	12 (180)	10 (150)	90	04	G*	W290D74B5SA0000	W290D74X5SA0000	
		NPT <sup>(3)</sup>	W290D74C5SA0000	W290D74Y5SA0000										
50.5	30.3	32	27.3 (31.6)	455	4.5 (70)	10 (150)	6 (90)	6 (90)	6 (90)	63	03	G*	W290D0555SA0000	W290D05T5SA0000
			NPT <sup>(3)</sup>	W290D0565SA0000	W290D05U5SA0000									
		28.5 (33)	475	4.5 (70)	10 (150)	12 (180)	12 (180)	10 (150)	90	04	G*	W290D05B5SA0000	W290D05X5SA0000	
		NPT <sup>(3)</sup>	W290D05C5SA0000	W290D05Y5SA0000										
		27.3 (31.6)	455	2.8 (45)	10 (150)	3 (45)	3 (45)	3 (45)	63	03	G*	W290D7555SA0000	W290D75T5SA0000	
		NPT <sup>(3)</sup>	W290D7565SA0000	W290D75U5SA0000										
		28.5 (33)	475	2.8 (45)	10 (150)	7 (105)	7 (105)	7 (105)	90	04	G*	W290D75B5SA0000	W290D75X5SA0000	
		NPT <sup>(3)</sup>	W290D75C5SA0000	W290D75Y5SA0000										
		32.3 (37.5)	538	4 (60)	10 (150)	16 (240)	16 (240)	10 (150)	125	05	G*	W290D05H5SA0000	-	
		NPT <sup>(3)</sup>	W290D05J5SA0000	-										
50.5	33	40	33.7 (39)	561	4.5 (70)	10 (150)	4 (60)	4 (60)	4 (60)	63	03	G*	W290D0655SA0000	W290D06T5SA0000
			NPT <sup>(3)</sup>	W290D0665SA0000	W290D06U5SA0000									
		35.4 (41)	590	4.5 (70)	10 (150)	8 (120)	8 (120)	8 (120)	90	04	G*	W290D06B5SA0000	W290D06X5SA0000	
		NPT <sup>(3)</sup>	W290D06C5SA0000	W290D06Y5SA0000										
		40.2 (46.6)	670	4 (60)	10 (150)	16 (240)	16 (240)	10 (150)	125	05	G*	W290D06H5SA0000	-	
		NPT <sup>(3)</sup>	W290D06J5SA0000	-										
		35.4 (41)	590	2.8 (45)	10 (150)	4 (58)	4 (58)	4 (58)	90	04	G*	W290D76B5SA0000	W290D76X5SA0000	
		NPT <sup>(3)</sup>	W290D76C5SA0000	W290D76Y5SA0000										
		40.2 (46.6)	670	2.5 (40)	10 (150)	10 (150)	10 (150)	10 (150)	125	05	G*	W290D76H5SA0000	-	
		NPT <sup>(3)</sup>	W290D76J5SA0000	-										
64	46.5	50	51 (59.1)	850	4.5 (70)	10 (150)	2.5 (40)	2.5 (40)	2.5 (40)	63	03	G*	W290D0755SA0000	W290D07T5SA0000
			NPT <sup>(3)</sup>	W290D0765SA0000	W290D07U5SA0000									
		55.1 (63.8)	918	4.5 (70)	10 (150)	6 (90)	6 (90)	6 (90)	90	04	G*	W290D07B5SA0000	W290D07X5SA0000	
		NPT <sup>(3)</sup>	W290D07C5SA0000	W290D07Y5SA0000										
		70.4 (81.6)	1173	4 (60)	10 (150)	10 (150)	10 (150)	10 (150)	125	05	G*	W290D07H5SA0000	-	
		NPT <sup>(3)</sup>		W290D07J5SA0000	-									
2.5 (40)	5 (75)	5 (75)	5 (75)	125	05	G*	W290D77H5SA0000	-						
NPT <sup>(3)</sup>	W290D77J5SA0000	-												

(\*) Ensure that compatibility of materials in contact with fluids is verified.  
<sup>(1)</sup> Only with stainless steel actuator.  
<sup>(2)</sup> For dimensions, see drawing(s) for each construction type on the following page(s).  
<sup>(3)</sup> Plastic actuator: NPTF / Stainless steel actuator: NPT

## Specifications (Clamp SMS 3017)

O.D. of stub	I.D. of stub	DN	Flow coefficient		Pilot pressure		Operating pressure differential			Actuator diameter Dimensions / Type <sup>(1)</sup> (mm)	Piloting connection	Catalog number										
			Kv (Cv)	m <sup>3</sup> /h (gal/min) (l/min)	bar (psi)		bar (psi)					Clamp SMS 3017										
					Min.	Max.	Air, inert gas (*)	Water, oil, liquids (*)	Steam <sup>(1)</sup> ≤ 140°C (≤ 284°F) (*)			Plastic actuator	Stainless steel actuator									
<b>NO - Normally open, entry under the disc</b>																						
50.5	21	25	12.9 (15)	215	I(*)	10 (150)	16 (240)	16 (240)	10 (150)	50	02	G*	W290D1435SA0000	W290D14R5SA0000								
			NPT <sup>(3)</sup>	W290D1445SA0000	W290D14S5SA0000																	
			14.9 (17.3)	248	II(*)		16 (240)	16 (240)	10 (150)			63	03	G*	W290D1455SA0000	W290D14T5SA0000						
			NPT <sup>(3)</sup>	W290D1465SA0000	W290D14U5SA0000																	
			15.4 (17.8)	256	III(*)		16 (240)	16 (240)	10 (150)					90	04	G*	W290D14B5SA0000	W290D14X5SA0000				
			NPT <sup>(3)</sup>	W290D14C5SA0000	W290D14Y5SA0000																	
50.5	30.3	32	27.3 (31.6)	455	II(*)	10 (150)	16 (240)	16 (240)	10 (150)	63	03					G*	W290D1555SA0000	W290D15T5SA0000				
			NPT <sup>(3)</sup>	W290D1565SA0000	W290D15U5SA0000																	
			28.5 (33)	475	III(*)		16 (240)	16 (240)	10 (150)			90	04			G*	W290D15B5SA0000	W290D15X5SA0000				
			NPT <sup>(3)</sup>	W290D15C5SA0000	W290D15Y5SA0000																	
			32.3 (37.4)	538	IV(*)		16 (240)	16 (240)	10 (150)					125	05	G*	W290D15H5SA0000	-				
			NPT <sup>(3)</sup>	W290D15J5SA0000	-																	
50.5	33	40	33.7 (39)	561	II(*)	10 (150)	11 (160)	11 (160)	10 (150)	63	03					G*	W290D1655SA0000	W290D16T5SA0000				
			NPT <sup>(3)</sup>	W290D1665SA0000	W290D16U5SA0000																	
			35.4 (41)	590	III(*)		16 (240)	16 (240)	10 (150)			90	04			G*	W290D16B5SA0000	W290D16X5SA0000				
			NPT <sup>(3)</sup>	W290D16C5SA0000	W290D16Y5SA0000																	
			40.2 (46.6)	670	IV(*)		16 (240)	16 (240)	10 (150)					125	05	G*	W290D16H5SA0000	-				
			NPT <sup>(3)</sup>	W290D16J5SA0000	-																	
64	50	50	51 (59.1)	850	II(*)	10 (150)	7 (105)	7 (105)	7 (105)	63	03					G*	W290D1755SA0000	W290D17T5SA0000				
			NPT <sup>(3)</sup>	W290D1765SA0000	W290D17U5SA0000																	
			55.1 (63.8)	918	III(*)		13 (200)	13 (200)	10 (150)			90	04			G*	W290D17B5SA0000	W290D17X5SA0000				
			NPT <sup>(3)</sup>	W290D17C5SA0000	W290D17Y5SA0000																	
			70.4 (81.6)	1173	IV(*)		16 (240)	16 (240)	10 (150)					125	05	G*	W290D17H5SA0000	-				
			NPT <sup>(3)</sup>	W290D17J5SA0000	-																	
<b>NC - Normally closed, entry above the disc (version recommended for rapid-cycling steam applications)</b>																						
50.5	21	25	13.2 (15.3)	220	V(*)	10 (150)	10 (150)	-	10 (150)	50	02					G*	W290D3435SA0000	W290D34R5SA0000				
			NPT <sup>(3)</sup>	W290D3445SA0000	W290D34S5SA0000																	
			15.9 (18.4)	265	VI(*)		10 (150)	10 (150)	-			10 (150)	63			03	G*	W290D3455SA0000	W290D34T5SA0000			
			NPT <sup>(3)</sup>	W290D3465SA0000	W290D34U5SA0000																	
			50.5	30.3	32		28.3 (32.8)	471	VI(*)			10 (150)		10 (150)	-		10 (150)	63	03	G*	W290D3555SA0000	W290D35T5SA0000
							NPT <sup>(3)</sup>	W290D3565SA0000	W290D35U5SA0000													
25.4 (29.4)	423	VII(*)				10 (150)	10 (150)	-	10 (150)	90	04			G*	W290D35B5SA0000		W290D35X5SA0000					
NPT <sup>(3)</sup>	W290D35C5SA0000	W290D35Y5SA0000																				
50.5	33	40				37.9 (44)	631	VI(*)	10 (150)				10 (150)	-	10 (150)	63	03			G*	W290D3655SA0000	W290D36T5SA0000
						NPT <sup>(3)</sup>	W290D3665SA0000	W290D36U5SA0000														
			31.9 (37)	531	VII(*)	10 (150)	10 (150)	-				10 (150)	90	04	G*			W290D36B5SA0000	W290D36X5SA0000			
			NPT <sup>(3)</sup>	W290D36C5SA0000	W290D36Y5SA0000																	
			64	46.5	50	56 (65)	933	VI(*)		10 (150)	9 (135)	-			9 (135)			63	03	G*	W290D3755SA0000	W290D37T5SA0000
						NPT <sup>(3)</sup>	W290D3765SA0000	W290D37U5SA0000														
49 (56.8)	816	VII(*)				10 (150)	10 (150)	-	10 (150)		90	04			G*	W290D37B5SA0000	W290D37X5SA0000					
NPT <sup>(3)</sup>	W290D37C5SA0000	W290D37Y5SA0000																				

(\*) Ensure that compatibility of materials in contact with fluids is verified.

(\*) Minimum pilot pressure varies with differential pressure, see page 18

<sup>(1)</sup> Only with stainless steel actuator.

<sup>(2)</sup> For dimensions, see drawing(s) for each construction type on the following page(s).

<sup>(3)</sup> Plastic actuator: NPTF / Stainless steel actuator: NPT

01535GB-2021/R01 Availability, design and specifications are subject to change without notice. All rights reserved.

**Specifications (Clamp DIN 32676 - A)**

O.D. of stub	I.D. of stub	DN	Flow coefficient		Pilot pressure		Operating pressure differential			Actuator diameter	Dimensions / Type (1)	Piloting connection	Catalog number				
							bar (psi)						Clamp DIN 32676 - A				
			Kv (Cv)	m <sup>3</sup> /h (gal/min)	l/min	bar (psi)	Min.	Max.	Air, inert gas (*)				Water, oil, liquids (*)	Steam (1) ≤ 140°C (≤ 284°F) (*)	mm	Plastic actuator	Stainless steel actuator
<b>NC - Normally closed, entry under the disc</b>																	
34	15	15	5.4 (6.2)	90	4.5 (70)	10 (150)	16 (240)	16 (240)	10 (150)	50	02	G*	W290D0234SA0000	W290D02R4SA0000			
					2.8 (45)	10 (150)	16 (240)	16 (240)	10 (150)			NPT (3)	W290D0244SA0000	W290D02S4SA0000			
					63	03	G*	W290D0254SA0000	W290D02T4SA0000								
34	15	20	6.8 (7.9)	113	4.5 (70)	10 (150)	10 (150)	10 (150)	10 (150)	50	02	G*	W290D0334SA0000	W290D03R4SA0000			
					4.5 (70)	10 (150)	16 (240)	16 (240)	10 (150)			NPT (3)	W290D0344SA0000	W290D03S4SA0000			
					63	03	G*	W290D0354SA0000	W290D03T4SA0000								
					63	03	NPT (3)	W290D0364SA0000	W290D03U4SA0000								
					63	03	G*	W290D7354SA0000	W290D73T4SA0000								
					63	03	NPT (3)	W290D7364SA0000	W290D73U4SA0000								
50.5	21	25	12.9 (15)	215	4.5 (70)	10 (150)	6 (90)	6 (90)	6 (90)	50	02	G*	W290D0434SA0000	W290D04R4SA0000			
			14.9 (17.3)	248	4.5 (70)	10 (150)	10 (150)	10 (150)	10 (150)			NPT (3)	W290D0444SA0000	W290D04S4SA0000			
			63	03	G*	W290D0454SA0000	W290D04T4SA0000										
			63	03	NPT (3)	W290D0464SA0000	W290D04U4SA0000										
			90	04	G*	W290D04B4SA0000	W290D04X4SA0000										
			90	04	NPT (3)	W290D04C4SA0000	W290D04Y4SA0000										
50.5	21	25	14.9 (17.3)	248	2.8 (45)	10 (150)	6 (90)	6 (90)	6 (90)	63	03	G*	W290D7454SA0000	W290D74T4SA0000			
			15.4 (17.8)	256	2.8 (45)	10 (150)	12 (180)	12 (180)	10 (150)			NPT (3)	W290D7464SA0000	W290D74U4SA0000			
			90	04	G*	W290D74B4SA0000	W290D74X4SA0000										
			90	04	NPT (3)	W290D74C4SA0000	W290D74Y4SA0000										
			50.5	30.3	32	27.3 (31.6)	455	4.5 (70)	10 (150)	6 (90)	6 (90)	6 (90)	63	03	G*	W290D0554SA0000	W290D05T4SA0000
						28.5 (33)	475	4.5 (70)	10 (150)	12 (180)	12 (180)	10 (150)			NPT (3)	W290D0564SA0000	W290D05U4SA0000
90	04	G*				W290D05B4SA0000	W290D05X4SA0000										
90	04	NPT (3)				W290D05C4SA0000	W290D05Y4SA0000										
63	03	G*				W290D7554SA0000	W290D75T4SA0000										
63	03	NPT (3)				W290D7564SA0000	W290D75U4SA0000										
50.5	30.3	32	28.5 (33)	475	2.8 (45)	10 (150)	7 (105)	7 (105)	7 (105)	90	04	G*	W290D75B4SA0000	W290D75X4SA0000			
			32.3 (37.5)	538	4 (60)	10 (150)	16 (240)	16 (240)	10 (150)			NPT (3)	W290D75C4SA0000	W290D75Y4SA0000			
			125	05	G*	W290D05H4SA0000	-										
			125	05	NPT (3)	W290D05J4SA0000	-										
			50.5	33	40	33.7 (39)	561	4.5 (70)	10 (150)	4 (60)	4 (60)	4 (60)	63	03	G*	W290D0654SA0000	W290D06T4SA0000
						35.4 (41)	590	4.5 (70)	10 (150)	8 (120)	8 (120)	8 (120)			NPT (3)	W290D0664SA0000	W290D06U4SA0000
90	04	G*				W290D06B4SA0000	W290D06X4SA0000										
90	04	NPT (3)				W290D06C4SA0000	W290D06Y4SA0000										
125	05	G*				W290D06H4SA0000	-										
125	05	NPT (3)				W290D06J4SA0000	-										
50.5	33	40	40.2 (46.6)	670	4 (60)	10 (150)	16 (240)	16 (240)	10 (150)	125	05	G*	W290D06H4SA0000	-			
			35.4 (41)	590	2.8 (45)	10 (150)	4 (58)	4 (58)	4 (58)			NPT (3)	W290D06J4SA0000	-			
			90	04	G*	W290D76B4SA0000	W290D76X4SA0000										
			90	04	NPT (3)	W290D76C4SA0000	W290D76Y4SA0000										
50.5	33	40	40.2 (46.6)	670	2.5 (40)	10 (150)	10 (150)	10 (150)	125	05	G*	W290D76H4SA0000	-				
			125	05	NPT (3)	W290D76J4SA0000	-										

(\*) Ensure that compatibility of materials in contact with fluids is verified.  
 (1) Only with stainless steel actuator.  
 (2) For dimensions, see drawing(s) for each construction type on the following page(s).  
 (3) Plastic actuator: NPTF / Stainless steel actuator: NPT

## Specifications (Clamp DIN 32676 - A)

O.D. of stub	I.D. of stub	DN	Flow coefficient		Pilot pressure		Operating pressure differential			Actuator diameter	Dimensions / Type <sup>(1)</sup>	Piloting connection	Catalog number				
							bar (psi)						Clamp DIN 32676 - A				
			Kv	(Cv)	bar (psi)	Min.	Max.	Air, inert gas (*)	Water, oil, liquids (*)				Steam <sup>(1)</sup> ≤ 140°C (≤ 284°F) (*)	Plastic actuator	Stainless steel actuator		
64	46.5	50	51 (59.1)	850	4.5 (70)	10 (150)	2.5 (40)	2.5 (40)	2.5 (40)	63	03	G*	W290D0754SA0000	W290D07T4SA0000			
													NPT <sup>(3)</sup>	W290D0764SA0000	W290D07U4SA0000		
			55.1 (63.8)	918	4.5 (70)	10 (150)	6 (90)	6 (90)	6 (90)	90	04	G*	W290D07B4SA0000	W290D07X4SA0000			
													NPT <sup>(3)</sup>	W290D07C4SA0000	W290D07Y4SA0000		
			70.4 (81.6)	1173	4 (60)	10 (150)	10 (150)	10 (150)	10 (150)	125	05	G*	W290D07H4SA0000	-			
							2.5 (40)	5 (75)	5 (75)	5 (75)	125	05	NPT <sup>(3)</sup>	W290D77J4SA0000	-		
<b>NO - Normally open, entry under the disc</b>																	
34	15	15	5.4 (6.2)	90	I(*)	10 (150)	16 (240)	16 (240)	10 (150)	50	02	G*	W290D1234SA0000	W290D12R4SA0000			
					II(*)		16 (240)	16 (240)	10 (150)	63	03	NPT <sup>(3)</sup>	W290D1244SA0000	W290D12S4SA0000			
34	15	20	6.8 (7.9)	113	I(*)	10 (150)	16 (240)	16 (240)	10 (150)	50	02	G*	W290D1334SA0000	W290D13R4SA0000			
					II(*)		16 (240)	16 (240)	10 (150)	63	03	NPT <sup>(3)</sup>	W290D1344SA0000	W290D13S4SA0000			
50.5	21	25	12.9 (15)	215	I(*)	10 (150)	16 (240)	16 (240)	10 (150)	50	02	G*	W290D1434SA0000	W290D14R4SA0000			
					II(*)		16 (240)	16 (240)	10 (150)	63	03	NPT <sup>(3)</sup>	W290D1444SA0000	W290D14S4SA0000			
			14.9 (17.3)	248										G*	W290D1454SA0000	W290D14T4SA0000	
														NPT <sup>(3)</sup>	W290D1464SA0000	W290D14U4SA0000	
			15.4 (17.8)	256	III(*)					16 (240)	16 (240)	10 (150)	90	04	G*	W290D14B4SA0000	W290D14X4SA0000
															NPT <sup>(3)</sup>	W290D14C4SA0000	W290D14Y4SA0000
50.5	30.3	32	27.3 (31.6)	455	II(*)	10 (150)	16 (240)	16 (240)	10 (150)	63	03	G*	W290D1554SA0000	W290D15T4SA0000			
													NPT <sup>(3)</sup>	W290D1564SA0000	W290D15U4SA0000		
			28.5 (33)	475	III(*)					16 (240)	16 (240)	10 (150)	90	04	G*	W290D15B4SA0000	W290D15X4SA0000
														NPT <sup>(3)</sup>	W290D15C4SA0000	W290D15Y4SA0000	
			32.3 (37.4)	538	IV(*)					16 (240)	16 (240)	10 (150)	125	05	G*	W290D15H4SA0000	-
															NPT <sup>(3)</sup>	W290D15J4SA0000	-
50.5	33	40	33.7 (39)	561	II(*)	10 (150)	11 (160)	11 (160)	10 (150)	63	03	G*	W290D1654SA0000	W290D16T4SA0000			
													NPT <sup>(3)</sup>	W290D1664SA0000	W290D16U4SA0000		
			35.4 (41)	590	III(*)					16 (240)	16 (240)	10 (150)	90	04	G*	W290D16B4SA0000	W290D16X4SA0000
														NPT <sup>(3)</sup>	W290D16C4SA0000	W290D16Y4SA0000	
			40.2 (46.6)	670	IV(*)					16 (240)	16 (240)	10 (150)	125	05	G*	W290D16H4SA0000	-
															NPT <sup>(3)</sup>	W290D16J4SA0000	-
64	46.5	50	51 (59.1)	850	II(*)	10 (150)	7 (105)	7 (105)	7 (105)	63	03	G*	W290D1754SA0000	W290D17T4SA0000			
													NPT <sup>(3)</sup>	W290D1764SA0000	W290D17U4SA0000		
			55.1 (63.8)	918	III(*)					13 (200)	13 (200)	10 (150)	90	04	G*	W290D17B4SA0000	W290D17X4SA0000
														NPT <sup>(3)</sup>	W290D17C4SA0000	W290D17Y4SA0000	
			70.4 (81.6)	1173	IV(*)					16 (240)	16 (240)	10 (150)	125	05	G*	W290D17H4SA0000	-
															NPT <sup>(3)</sup>	W290D17J4SA0000	-

(\*) Ensure that compatibility of materials in contact with fluids is verified.

(\*) Minimum pilot pressure varies with differential pressure, see page 18

<sup>(1)</sup> Only with stainless steel actuator.

<sup>(2)</sup> For dimensions, see drawing(s) for each construction type on the following page(s).

<sup>(3)</sup> Plastic actuator: NPTF / Stainless steel actuator: NPT



**Specifications (Clamp DIN 32676 - A)**

O.D. of stub	I.D. of stub	DN	Flow coefficient		Pilot pressure		Operating pressure differential			Actuator diameter	Dimensions / Type <sup>(1)</sup>	Piloting connection	Catalog number	
							bar (psi)						Clamp DIN 32676 - A	
			Kv (Cv)		bar (psi)	Min.	Max.	Air, inert gas (*)	Water, oil, liquids (*)				Steam <sup>(1)</sup> ≤ 140°C (≤ 284°F) (*)	Plastic actuator
			m <sup>3</sup> /h (gal/min)	(l/min)					(mm)					
<b>NC - Normally closed, entry above the disc (version recommended for rapid-cycling steam applications)</b>														
34	15	15	4.8 (5.5)	80	V(*)	10 (150)	10 (150)	-	10 (150)	50	02	G*	W290D3234SA0000	W290D32R4SA0000
					NPT <sup>(3)</sup>	W290D3244SA0000	W290D32S4SA0000							
					VI(*)	10 (150)	10 (150)	-	10 (150)	63	03	G*	W290D3254SA0000	W290D32T4SA0000
					NPT <sup>(3)</sup>	W290D3264SA0000	W290D32U4SA0000							
34	15	20	7.2 (8.3)	120	V(*)	10 (150)	10 (150)	-	10 (150)	50	02	G*	W290D3334SA0000	W290D33R4SA0000
					NPT <sup>(3)</sup>	W290D3344SA0000	W290D33S4SA0000							
					VI(*)	10 (150)	10 (150)	-	10 (150)	63	03	G*	W290D3354SA0000	W290D33T4SA0000
					NPT <sup>(3)</sup>	W290D3364SA0000	W290D33U4SA0000							
50.5	21	25	13.2 (15.3)	220	V(*)	10 (150)	10 (150)	-	10 (150)	50	02	G*	W290D3434SA0000	W290D34R4SA0000
			NPT <sup>(3)</sup>	W290D3444SA0000	W290D34S4SA0000									
			15.9 (18.4)	265	VI(*)	10 (150)	10 (150)	-	10 (150)	63	03	G*	W290D3454SA0000	W290D34T4SA0000
			NPT <sup>(3)</sup>	W290D3464SA0000	W290D34U4SA0000									
50.5	30.3	32	28.3 (32.8)	471	VI(*)	10 (150)	10 (150)	-	10 (150)	63	03	G*	W290D3554SA0000	W290D35T4SA0000
			NPT <sup>(3)</sup>	W290D3564SA0000	W290D35U4SA0000									
			25.4 (29.4)	423	VII(*)	10 (150)	10 (150)	-	10 (150)	90	04	G*	W290D35B4SA0000	W290D35X4SA0000
			NPT <sup>(3)</sup>	W290D35C4SA0000	W290D35Y4SA0000									
50.5	33	40	37.9 (44)	631	VI(*)	10 (150)	10 (150)	-	10 (150)	63	03	G*	W290D3654SA0000	W290D36T4SA0000
			NPT <sup>(3)</sup>	W290D3664SA0000	W290D36U4SA0000									
			31.9 (37)	531	VII(*)	10 (150)	10 (150)	-	10 (150)	90	04	G*	W290D36B4SA0000	W290D36X4SA0000
			NPT <sup>(3)</sup>	W290D36C4SA0000	W290D36Y4SA0000									
64	46.5	50	56 (65)	933	VI(*)	10 (150)	9 (135)	-	9 (135)	63	03	G*	W290D3754SA0000	W290D37T4SA0000
			NPT <sup>(3)</sup>	W290D3764SA0000	W290D37U4SA0000									
			49 (56.8)	816	VII(*)	10 (150)	10 (150)	-	10 (150)	90	04	G*	W290D37B4SA0000	W290D37X4SA0000
			NPT <sup>(3)</sup>	W290D37C4SA0000	W290D37Y4SA0000									

(\*) Ensure that compatibility of materials in contact with fluids is verified.  
 (\*) Minimum pilot pressure varies with differential pressure, see page 18  
<sup>(1)</sup> Only with stainless steel actuator.  
<sup>(2)</sup> For dimensions, see drawing(s) for each construction type on the following page(s).  
<sup>(3)</sup> Plastic actuator: NPTF / Stainless steel actuator: NPT

## Specifications (Clamp ASME BPE)

O.D. of stub	I.D. of stub	DN	Flow coefficient		Pilot pressure		Operating pressure differential			Actuator diameter / Dimensions / Type <sup>(1)</sup>	Piloting connection	Catalog number		
			Kv (Cv)	m <sup>3</sup> /h (gal/min)	bar (psi)	Min.	Max.	bar (psi)				Clamp ASME BPE		
								Air, inert gas (*)	Water, oil, liquids (*)			Steam <sup>(1)</sup> ≤ 140°C (≤ 284°F) (*)	Plastic actuator	Stainless steel actuator
<b>NC - Normally closed, entry under the disc</b>														
25	7	10	1.9 (2.2)	31	4.7 (75)	10 (150)	16 (240)	16 (240)	10 (150)	32	01	G* NPT	W290D0116SA0000 W290D0126SA0000	W290D01P6SA0000 W290D01Q6SA0000
25	9	15	2.5 (2.9)	41	4.7 (75)	10 (150)	10 (150)	10 (150)	10 (150)	32	01	G* NPT	W290D0216SA0000 W290D0226SA0000	W290D02P6SA0000 W290D02Q6SA0000
			2.6 (3)	43	4.5 (70)	10 (150)	16 (240)	16 (240)	10 (150)	50	02	G* NPT <sup>(3)</sup>	W290D0236SA0000 W290D0246SA0000	W290D02R6SA0000 W290D02S6SA0000
					2.8 (45)	10 (150)	16 (240)	16 (240)	10 (150)	63	03	G* NPT <sup>(3)</sup>	W290D0256SA0000 W290D0266SA0000	W290D02T6SA0000 W290D02U6SA0000
					4.7 (5.4)	78	4.7 (75)	10 (150)	6 (90)	6 (90)	6 (90)	32	01	G* NPT <sup>(3)</sup>
25	15	20	6.8 (7.9)	113	4.5 (70)	10 (150)	10 (150)	10 (150)	10 (150)	50	02	G* NPT <sup>(3)</sup>	W290D0336SA0000 W290D0346SA0000	W290D03R6SA0000 W290D03S6SA0000
					4.5 (70)	10 (150)	16 (240)	16 (240)	10 (150)	63	03	G* NPT <sup>(3)</sup>	W290D0356SA0000 W290D0366SA0000	W290D03T6SA0000 W290D03U6SA0000
			2.8 (45)	10 (150)	12 (180)	12 (180)	10 (150)	63	03	G* NPT <sup>(3)</sup>	W290D7356SA0000 W290D7366SA0000	W290D73T6SA0000 W290D73U6SA0000		
			12.9 (15)	215	4.5 (70)	10 (150)	6 (90)	6 (90)	6 (90)	50	02	G* NPT <sup>(3)</sup>	W290D0436SA0000 W290D0446SA0000	W290D04R6SA0000 W290D04S6SA0000
50.39	21	25	14.9 (17.2)	248	4.5 (70)	10 (150)	10 (150)	10 (150)	10 (150)	63	03	G* NPT <sup>(3)</sup>	W290D0456SA0000 W290D0466SA0000	W290D04T6SA0000 W290D04U6SA0000
			15.4 (17.8)	256	4.5 (70)	10 (150)	16 (240)	16 (240)	10 (150)	90	04	G* NPT <sup>(3)</sup>	W290D04B6SA0000 W290D04C6SA0000	W290D04X6SA0000 W290D04Y6SA0000
			14.9 (17.2)	248	2.8 (45)	10 (150)	6 (90)	6 (90)	6 (90)	63	03	G* NPT <sup>(3)</sup>	W290D7456SA0000 W290D7466SA0000	W290D74T6SA0000 W290D74U6SA0000
			15.4 (17.8)	256	2.8 (45)	10 (150)	12 (180)	12 (180)	10 (150)	90	04	G* NPT <sup>(3)</sup>	W290D74B6SA0000 W290D74C6SA0000	W290D74X6SA0000 W290D74Y6SA0000
			33.7 (39)	561	4.5 (70)	10 (150)	4 (60)	4 (60)	4 (60)	63	03	G* NPT <sup>(3)</sup>	W290D0656SA0000 W290D0666SA0000	W290D06T6SA0000 W290D06U6SA0000
			35.4 (41)	590	4.5 (70)	10 (150)	8 (120)	8 (120)	8 (120)	90	04	G* NPT <sup>(3)</sup>	W290D06B6SA0000 W290D06C6SA0000	W290D06X6SA0000 W290D06Y6SA0000
50.39	33	40	40.2 (46.6)	670	4 (60)	10 (150)	16 (240)	16 (240)	10 (150)	125	05	G* NPT <sup>(3)</sup>	W290D06H6SA0000 W290D06J6SA0000	- -
			35.4 (41)	590	2.8 (45)	10 (150)	4 (58)	4 (58)	4 (58)	90	04	G* NPT <sup>(3)</sup>	W290D76B6SA0000 W290D76C6SA0000	W290D76X6SA0000 W290D76Y6SA0000
			40.2 (46.6)	670	2.5 (40)	10 (150)	10 (150)	10 (150)	10 (150)	125	05	G* NPT <sup>(3)</sup>	W290D76H6SA0000 W290D76J6SA0000	- -
			51 (59.1)	850	4.5 (70)	10 (150)	2.5 (40)	2.5 (40)	2.5 (40)	63	03	G* NPT <sup>(3)</sup>	W290D0756SA0000 W290D0766SA0000	W290D07T6SA0000 W290D07U6SA0000
			55.1 (63.8)	918	4.5 (70)	10 (150)	6 (90)	6 (90)	6 (90)	90	04	G* NPT <sup>(3)</sup>	W290D07B6SA0000 W290D07C6SA0000	W290D07X6SA0000 W290D07Y6SA0000
			70.4 (81.6)	1173	4 (60)	10 (150)	10 (150)	10 (150)	10 (150)	125	05	G* NPT <sup>(3)</sup>	W290D07H6SA0000 W290D07J6SA0000	- -
63.91	46.5	50	2.5 (40)	10 (150)	5 (75)	5 (75)	5 (75)	5 (75)	125	05	G* NPT <sup>(3)</sup>	W290D77H6SA0000 W290D77J6SA0000	- -	

(\*) Ensure that compatibility of materials in contact with fluids is verified.

<sup>(1)</sup> Only with stainless steel actuator.

<sup>(2)</sup> For dimensions, see drawing(s) for each construction type on the following page(s).

<sup>(3)</sup> Plastic actuator: NPTF / Stainless steel actuator: NPT

01535GB-2021/R01 Availability, design and specifications are subject to change without notice. All rights reserved.

**Specifications (Clamp ASME BPE)**

O.D. of stub	I.D. of stub	DN	Flow coefficient		Pilot pressure		Operating pressure differential			Actuator diameter	Dimensions / Type (1)	Pilot connection	Catalog number		
							bar (psi)						Clamp ASME BPE		
			Kv (Cv)	m <sup>3</sup> /h (gal/min)	l/min	Min.	Max.	Air, inert gas (*)	Water, oil, liquids (*)				Steam (1) ≤ 140°C (≤ 284°F) (*)	(mm)	Plastic actuator
<b>NO - Normally open, entry under the disc</b>															
25	7	10	1.9 (2.2)	31	IX (*)	10 (150)	16 (240)	16 (240)	10 (150)	32	01	G*	W290D1116SA0000	W290D11P6SA0000	
												NPT (3)	W290D1126SA0000	W290D11Q6SA0000	
25	9	15	2.5 (2.9)	41	IX (*)	10 (150)	16 (240)	16 (240)	10 (150)	32	01	G*	W290D1216SA0000	W290D12P6SA0000	
													NPT (3)	W290D1226SA0000	W290D12Q6SA0000
			2.6 (3)	43	I (*)	10 (150)	16 (240)	16 (240)	10 (150)	50	02	G*	W290D1236SA0000	W290D12R6SA0000	
					II (*)	10 (150)	16 (240)	16 (240)	10 (150)	63	03	G*	W290D1246SA0000	W290D12S6SA0000	
												NPT (3)	W290D1256SA0000	W290D12T6SA0000	
													G*	W290D1266SA0000	W290D12U6SA0000
25	15	20	4.7 (5.4)	78	IX (*)	10 (150)	16 (240)	16 (240)	10 (150)	32	01	G*	W290D1316SA0000	W290D13P6SA0000	
													NPT (3)	W290D1326SA0000	W290D13Q6SA0000
			6.8 (7.9)	113	I (*)	10 (150)	16 (240)	16 (240)	10 (150)	50	02	G*	W290D1336SA0000	W290D13R6SA0000	
					II (*)	10 (150)	16 (240)	16 (240)	10 (150)	63	03	G*	W290D1346SA0000	W290D13S6SA0000	
												NPT (3)	W290D1356SA0000	W290D13T6SA0000	
													G*	W290D1366SA0000	W290D13U6SA0000
50.39	21	25	12.9 (15)	215	I (*)	10 (150)	16 (240)	16 (240)	10 (150)	50	02	G*	W290D1436SA0000	W290D14R6SA0000	
													NPT (3)	W290D1446SA0000	W290D14S6SA0000
			14.9 (17.2)	248	II (*)	10 (150)	16 (240)	16 (240)	10 (150)	63	03	G*	W290D1456SA0000	W290D14T6SA0000	
														NPT (3)	W290D1466SA0000
			15.4 (17.8)	256	III (*)	10 (150)	16 (240)	16 (240)	10 (150)	90	04	G*	W290D14B6SA0000	W290D14X6SA0000	
												NPT (3)	W290D14C6SA0000	W290D14Y6SA0000	
50.39	33	40	33.7 (39)	561	II (*)	10 (150)	11 (160)	11 (160)	10 (150)	63	03	G*	W290D1656SA0000	W290D16T6SA0000	
													NPT (3)	W290D1666SA0000	W290D16U6SA0000
			35.4 (41)	590	III (*)	10 (150)	16 (240)	16 (240)	10 (150)	90	04	G*	W290D16B6SA0000	W290D16X6SA0000	
														NPT (3)	W290D16C6SA0000
			40.2 (46.6)	670	IV (*)	10 (150)	16 (240)	16 (240)	10 (150)	125	05	G*	W290D16H6SA0000	-	
												NPT (3)	W290D16J6SA0000	-	
63.91	46.5	50	51 (59.1)	850	II (*)	10 (150)	7 (105)	7 (105)	7 (105)	63	03	G*	W290D1756SA0000	W290D17T6SA0000	
													NPT (3)	W290D1766SA0000	W290D17U6SA0000
			55.1 (63.8)	918	III (*)	10 (150)	13 (200)	13 (200)	10 (150)	90	04	G*	W290D17B6SA0000	W290D17X6SA0000	
														NPT (3)	W290D17C6SA0000
			70.4 (81.6)	1173	IV (*)	10 (150)	16 (240)	16 (240)	10 (150)	125	05	G*	W290D17H6SA0000	-	
												NPT (3)	W290D17J6SA0000	-	

(\*) Ensure that compatibility of materials in contact with fluids is verified.  
 (\*) Minimum pilot pressure varies with differential pressure, see page 18  
 (1) Only with stainless steel actuator.  
 (2) For dimensions, see drawing(s) for each construction type on the following page(s).  
 (3) Plastic actuator: NPTF / Stainless steel actuator: NPT

## Specifications (Clamp ASME BPE)

O.D. of stub	I.D. of stub	DN	Flow coefficient		Pilot pressure		Operating pressure differential			Actuator diameter / Dimensions / Type <sup>(1)</sup>	Piloting connection	Catalog number			
			Kv (Cv)	m <sup>3</sup> /h (gal/min)	Min.	Max.	bar (psi)					Plastic actuator	Stainless steel actuator		
							Air, inert gas (*)	Water, oil, liquids (*)	Steam <sup>(1)</sup> ≤ 140°C (≤ 284°F) (*)					Clamp ASME BPE Stainless steel body	
<b>NC - Normally closed, entry above the disc (version recommended for rapid-cycling steam applications)</b>															
25	7	10	2 (2.3)	33	X(*)	10 (150)	10 (150)	-	10 (150)	32	01	G*	W290D3116SA0000	W290D31P6SA0000	
													NPT	W290D3126SA0000	W290D31Q6SA0000
25	9	15	2.7 (3.1)	45	X(*)	10 (150)	10 (150)	-	10 (150)	32	01	G*	W290D3216SA0000	W290D32P6SA0000	
													NPT	W290D3226SA0000	W290D32Q6SA0000
			2.5 (2.9)	41	V(*)	10 (150)	10 (150)	-	10 (150)	50	02	G*	W290D3236SA0000	W290D32R6SA0000	
													NPT <sup>(3)</sup>	W290D3246SA0000	W290D32S6SA0000
			2.5 (2.9)	41	VI(*)	10 (150)	10 (150)	-	10 (150)	63	03	G*	W290D3256SA0000	W290D32T6SA0000	
												NPT <sup>(3)</sup>	W290D3266SA0000	W290D32U6SA0000	
25	15	20	5 (5.8)	83	X(*)	10 (150)	10 (150)	-	10 (150)	32	01	G*	W290D3316SA0000	W290D33P6SA0000	
													NPT	W290D3326SA0000	W290D33Q6SA0000
			7.2 (8.3)	120	V(*)	10 (150)	10 (150)	-	10 (150)	50	02	G*	W290D3336SA0000	W290D33R6SA0000	
													NPT <sup>(3)</sup>	W290D3346SA0000	W290D33S6SA0000
			7.2 (8.3)	120	VI(*)	10 (150)	10 (150)	-	10 (150)	63	03	G*	W290D3356SA0000	W290D33T6SA0000	
												NPT <sup>(3)</sup>	W290D3366SA0000	W290D33U6SA0000	
50.39	21	25	13.2 (15.3)	220	V(*)	10 (150)	10 (150)	-	10 (150)	50	02	G*	W290D3436SA0000	W290D34R6SA0000	
													NPT <sup>(3)</sup>	W290D3446SA0000	W290D34S6SA0000
			15.9 (18.4)	265	VI(*)	10 (150)	10 (150)	-	10 (150)	63	03	G*	W290D3456SA0000	W290D34T6SA0000	
												NPT <sup>(3)</sup>	W290D3466SA0000	W290D34U6SA0000	
50.39	33	40	37.9 (44)	631	VI(*)	10 (150)	10 (150)	-	10 (150)	63	03	G*	W290D3656SA0000	W290D36T6SA0000	
													NPT <sup>(3)</sup>	W290D3666SA0000	W290D36U6SA0000
			31.9 (37)	531	VII(*)	10 (150)	10 (150)	-	10 (150)	90	04	G*	W290D36B6SA0000	W290D36X6SA0000	
												NPT <sup>(3)</sup>	W290D36C6SA0000	W290D36Y6SA0000	
63.91	46.5	50	56 (65)	933	VI(*)	10 (150)	9 (135)	-	9 (135)	63	03	G*	W290D3756SA0000	W290D37T6SA0000	
													NPT <sup>(3)</sup>	W290D3766SA0000	W290D37U6SA0000
			49 (56.8)	816	VII(*)	10 (150)	10 (150)	-	10 (150)	90	04	G*	W290D37B6SA0000	W290D37X6SA0000	
												NPT <sup>(3)</sup>	W290D37C6SA0000	W290D37Y6SA0000	

(\*) Ensure that compatibility of materials in contact with fluids is verified.

(\*) Minimum pilot pressure varies with differential pressure, see page 18

<sup>(1)</sup> Only with stainless steel actuator.

<sup>(2)</sup> For dimensions, see drawing(s) for each construction type on the following page(s).

<sup>(3)</sup> Plastic actuator: NPTF / Stainless steel actuator: NPT

**Product selection guide**

Configurator - CAD Files

**PRODUCT CODE**  
**W 290 D 0 3 1 0 S A00 00**

**Connection type**  
W= Clamp

**Product series**  
290

**Revision letter**  
D = Initial release

**Function**  
 0 = Normally Closed  
 1 = Normally Open  
 7 = Normally Closed - Low pilot pressure  
 3 = Normally Closed - Above the disc  
 4 = Double Acting (bistable)  
 P = Normally closed with profil disc

**Nominal diameter**  
 1 = DN10 - 3/8"  
 2 = DN15 - 1/2"  
 3 = DN20 - 3/4"  
 4 = DN25 - 1"  
 5 = DN32 - 1 1/4"  
 6 = DN40 - 1 1/2"  
 7 = DN50 - 2"  
 8 = DN65 - 2 1/2"

**Actuator diameter - Piloting connections**  
 1 = 32 mm plastic - G 1/8"  
 2 = 32 mm plastic - NPTF 1/8"  
 3 = 50 mm plastic - G 1/8"  
 4 = 50 mm plastic - NPTF 1/8"  
 5 = 63 mm plastic - G 1/8"  
 6 = 63 mm plastic - NPTF 1/8"  
 B = 90 mm plastic - G 1/4"  
 C = 90 mm plastic - NPTF 1/4"  
 H = 125 mm plastic - G 1/4"  
 J = 125 mm plastic - NPTF 1/4"  
 9 = 63 mm plastic - NAMUR plate<sup>(3)</sup>  
 A = 90 mm plastic - NAMUR plate<sup>(3)</sup>  
 F = 125 mm plastic - NAMUR plate<sup>(3)</sup>  
 P = 32 mm stainless steel - G 1/8"  
 Q = 32 mm stainless steel - NPT 1/8"  
 R = 50 mm stainless steel - G 1/8"  
 S = 50 mm stainless steel - NPT 1/8"  
 T = 63 mm stainless steel - G 1/8"  
 U = 63 mm stainless steel - NPT 1/8"  
 X = 90 mm stainless steel - G 1/4"  
 Y = 90 mm stainless steel - NPT 1/4"  
 G = 50 mm stainless steel - NAMUR plate<sup>(3)</sup>  
 W = 63 mm stainless steel - NAMUR plate<sup>(3)</sup>  
 Z = 90 mm stainless steel - NAMUR plate<sup>(3)</sup>

<sup>(3)</sup> Solenoid pilot valves, series 551, 3/2 NC:  
 - Aluminum body, catalog number **SCG551A001**  
 - AISI 316L stainless steel body, catalog number **SCG551A40**

**Options**

- A00** = Without
- PFB** = Prepared for signaling box mounting<sup>(1)</sup>
- AT1** = ATEX/IECEx 1/21 zones<sup>(1)</sup>
- AT0** = ATEX/IECEx 0/20 zones<sup>(1)</sup>
- 02S** = Oxygen service 15 bar / 60°C
- LTP** = Low temperature down to -60°C (stainless steel actuator)
- 125** = CTR certification (EAC Ex 1/21 zones) for Product
- STL** = Stroke limiter for opening<sup>(1)</sup>
- TC6** = Test tightness class VI<sup>(1)</sup>
- VAC** = Industrial vacuum 10<sup>-3</sup> mbar<sup>(1)</sup>
- M31** = Stainless steel valve body material certified 3.1
- FBO** = EC 1935-2004 regulation and FDA CFR 21 material
- WSP** = PTFE wiper seal
- WSF** = FPM piston seal and steam using up to +184°C / 360°F
- 11B** = Manual safety device<sup>(1)</sup>
- V10** = Visual indicator<sup>(2)</sup>
- SSF** = Stainless steel insert for plastic actuator

**Valve body material**

- S** = Stainless steel body
- Y** = All 316L

**Port type 1-2**

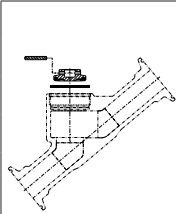
- C** = Clamp ISO 2852 / 1127
- 4** = Clamp DIN 32676-A
- 5** = Clamp SMS 3017
- 6** = Clamp ASME BPE

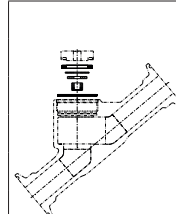
<sup>(1)</sup> See "Choice of options and accessories", pages 19 and 20  
<sup>(2)</sup> For 32 mm and 50 mm plastic actuators (standard for 63 mm, 90 mm and 125 mm plastic actuators and all stainless steel actuators)



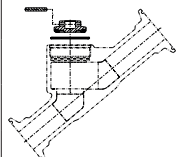
## Repair Kits and Service Parts

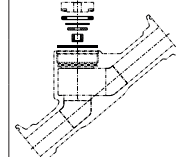
### ISO 2852 for pipe ISO 1127

	Ø	DN	Spare parts kits no. 50-63-90-125 mm	
			entry under the disc	
			Normally Closed	Normally Open + Double Acting (bistable)
	1/2"	15	M29054935100800	M29054935103500
	3/4"	20	M29054935100900	M29054935103600
	1"	25	M29054935101000	M29054935103700
	1 1/4"	32	M29054935101100	M29054935105200
	1 1/2"	40	M29054935101200	M29054935105300
	2"	50	M29054935101300	M29054935105400
	2 1/2"	65	M29054935101400	M29054935105500

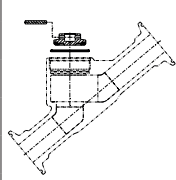
	Ø	DN	Spare parts kits no. 50-63-90-125 mm
			entry above the disc
	1/2"	15	M29054935100100
	3/4"	20	M29054935100200
	1"	25	M29054935100300
	1 1/4"	32	M29054935100400
	1 1/2"	40	M29054935100500
	2"	50	M29054935100600
	2 1/2"	65	M29054935100700

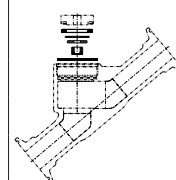
### Clamp SMS 3017

	Ø	DN	Spare parts kits no. 50-63-90-125 mm	
			entry under the disc	
			Normally Closed	Normally Open + Double Acting (bistable)
	1"	25	M29054935101000	M29054935103700
	1 1/4"	32	M29054935101100	M29054935105200
	1 1/2"	40	M29054935101200	M29054935105300
	2"	50	M29054935101300	M29054935105400

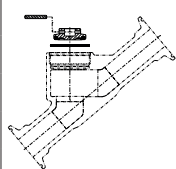
	Ø	DN	Spare parts kits no. 50-63-90-125 mm
			entry above the disc
	1"	25	M29054935100300
	1 1/4"	32	M29054935100400
	1 1/2"	40	M29054935100500
	2"	50	M29054935100600

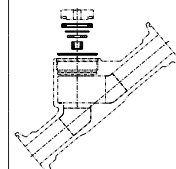
### Clamp DIN 32676 - A

	Ø	DN	Spare parts kits no. 50-63-90-125 mm	
			entry under the disc	
			Normally Closed	Normally Open + Double Acting (bistable)
	1/2"	15	M29054935100800	M29054935103500
	3/4"	20	M29054935100900	M29054935103600
	1"	25	M29054935101000	M29054935103700
	1 1/4"	32	M29054935101100	M29054935105200
	1 1/2"	40	M29054935101200	M29054935105300
	2"	50	M29054935101300	M29054935105400

	Ø	DN	Spare parts kits no. 50-63-90-125 mm
			entry above the disc
	1/2"	15	M29054935100100
	3/4"	20	M29054935100200
	1"	25	M29054935100300
	1 1/4"	32	M29054935100400
	1 1/2"	40	M29054935100500
	2"	50	M29054935100600

### Clamp ASME BPE

	Ø	DN	Spare parts kits no. 50-63-90-125 mm	
			entry under the disc	
			Normally Closed	Normally Open + Double Acting (bistable)
	1/2"	15	M29054935100800	M29054935103500
	3/4"	20	M29054935100900	M29054935103600
	1"	25	M29054935101000	M29054935103700
	1 1/2"	40	M29054935101200	M29054935105300
	2"	50	M29054935101300	M29054935105400

	Ø	DN	Spare parts kits no. 50-63-90-125 mm
			entry above the disc
	1/2"	15	M29054935100100
	3/4"	20	M29054935100200
	1"	25	M29054935100300
	1 1/2"	40	M29054935100500
	2"	50	M29054935100600

01535GB-2021/R01  
Availability, design and specifications are subject to change without notice. All rights reserved.

View showing the function / actuator / flow direction

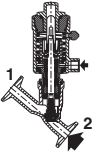
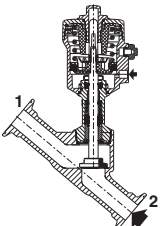
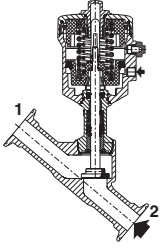
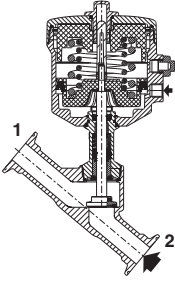
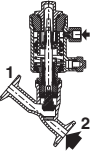
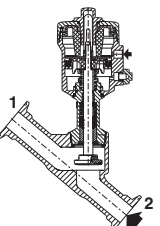
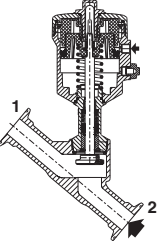
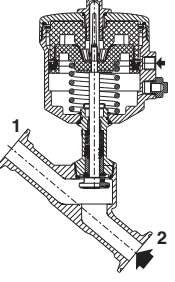
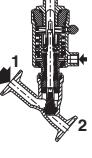
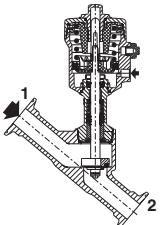
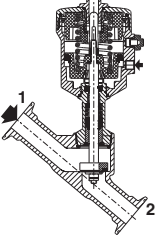
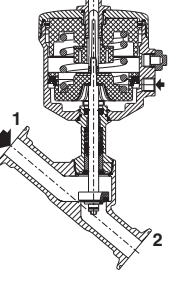
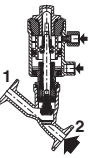
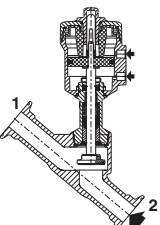
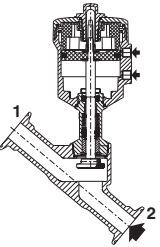
Plastic actuators

32 mm actuator	50 mm actuator	63 mm actuator	90 mm actuator	125 mm actuator
<b>NC - Normally closed, entry under the disc</b>				
<b>NO - Normally open, entry under the disc</b>				
<b>NC - Normally closed, entry above the disc</b>				
<b>Bistable function</b>				
			-	-

01535GB-2021/R01  
Availability, design and specifications are subject to change without notice. All rights reserved.

View showing the function / actuator / flow direction

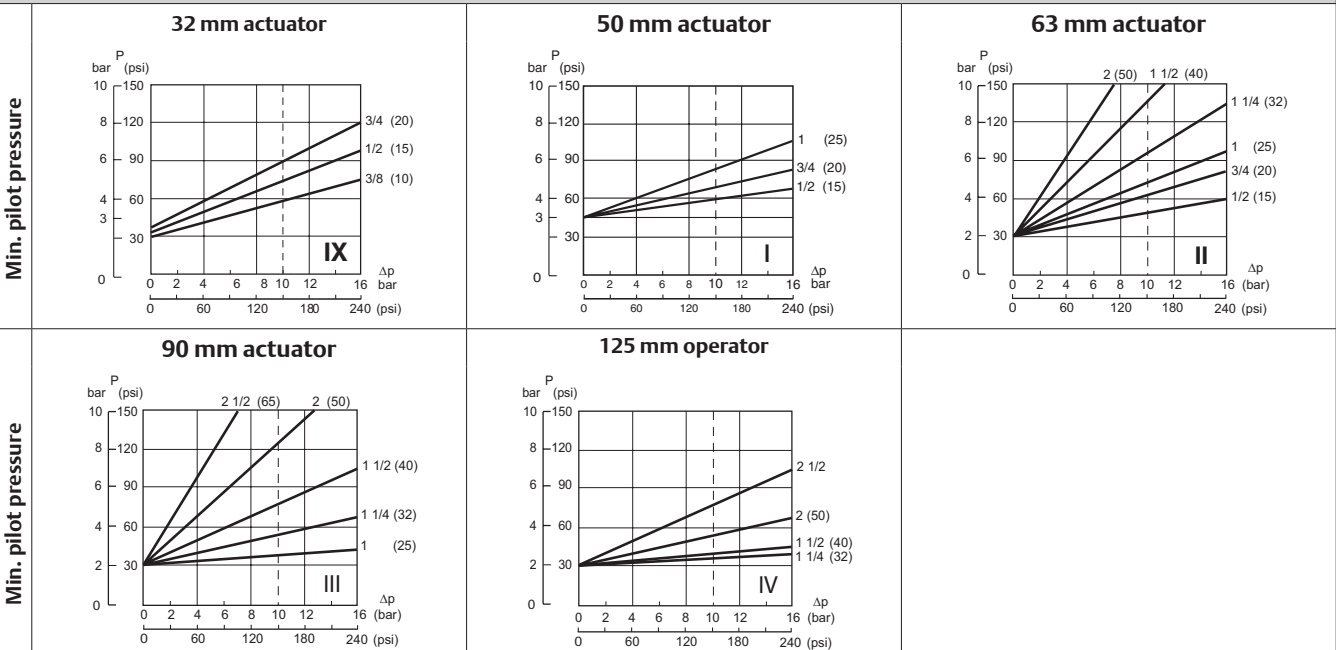
Stainless steel actuators

32 mm actuator	50 mm actuator	63 mm actuator	90 mm actuator
<b>NC - Normally closed, entry under the disc</b>			
			
<b>NO - Normally open, entry under the disc</b>			
			
<b>NC - Normally closed, entry above the disc</b>			
			
<b>Bistable function</b>			
			-

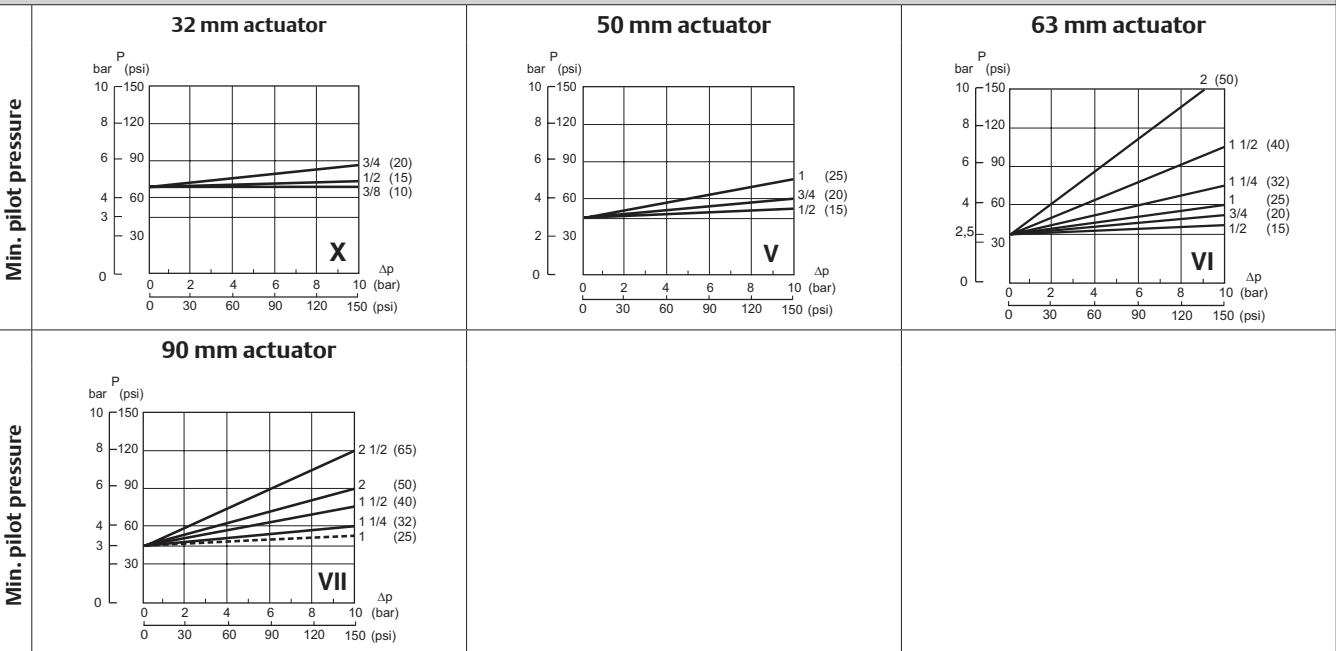
01535GB-2021/R01  
Availability, design and specifications are subject to change without notice. All rights reserved.

**Selection of the minimum pilot pressure**

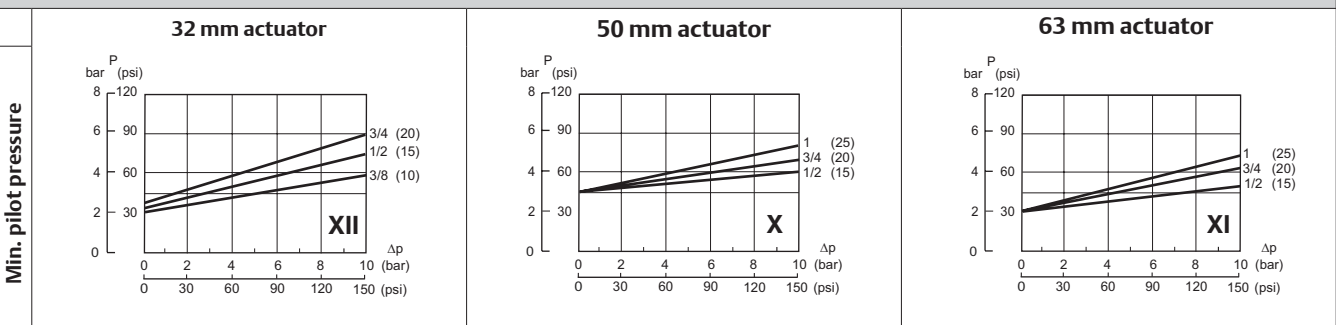
**NO - Normally open, entry under the disc**



**NC - Normally closed, entry above the disc**



**Bistable function**



01535GB-2021/R01  
Availability, design and specifications are subject to change without notice. All rights reserved.

# ASCO™ Pneumatic Angle Seat Valves

## Installation

- Valves can be mounted in any position without affecting operation
- The connection stubs comply with ISO 2852, DIN 32676, SMS 3017, ASME BPE.  
The strength of the quick-disconnect connection clamp must be compatible with the maximum pressure applied to the valve
- Possibility to interchange actuators (sizes/functions) on the same body
- Adjustable actuator enables 360° access to pilot port
- Compatible with ASTM 1, 2 and 3 oils
- Pilot thread connection (G) or (NPTF) or (NPT) has a standard thread according to ISO 228/1 or ANSI B 1.20.3 or ANSI B1.20.1
- Installation/maintenance instructions in multiple languages are available on our website

## Choice of options and accessories

Options	NC	NO	NC	-	Actuator diameter compatibility (mm)				
	Fluid entry under the disc	Fluid entry under the disc	Fluid entry above the disc	Bistable function	32	50	63	90	125
	AT0	•	•	•	•	•	•	•	•
AT1	•	•	•	•	•	•	•	•	•

*When a combination of several options are selected (using the product configurator on our website) you will be provided with a specific combination code*

**ATEX/IECEX**

- 2/2 valves NC/NO designed for use in potentially explosive atmospheres in accordance with ATEX-Directive 2014/34/EU  
EC type examination certificate no.: **LCIE 20 ATEX 3037 X**  
IECEX Certificate of Conformity no.: **IECEX LCIE 20.0025X**
- Compliance with the Essential Health and Safety Requirements of the ATEX Directive has been assured by compliance with European Standards EN ISO 80079-36 and EN ISO 80079-37
- Recommended for applications in the chemical, oil, gas and paint coating industries etc.

ATEX-Directive 2014/34/EU, category 1

Classification (zones) Category 1						
Dusts			Gas			Safety code
IIIA	IIIB	IIIC	IIA	IIB	IIC	
Zone 20			Zone 0			ⓧ II 1G Ex h IIC T* Ga ⓧ II 1D Ex h IIIC T**C Da

1GD		Plastic actuator		Metallic actuator	
T*°C	T*	Ts amb	T fluid	Ts amb	T fluid
300°C	T2	-	-	70°C	220°C
200°C	T3	60°C	145°C	70°C	149°C
135°C	T4	60°C	93°C	70°C	97°C
100°C	T5	60°C	65°C	70°C	69°C
85°C	T6	60°C	53°C	60°C	57°C

ATEX-Directive 2014/34/EU, category 2

Classification (zones) Category 2						
Dusts			Gas			Safety code
IIIA	IIIB	IIIC	IIA	IIB	IIC	
Zone 21			Zone 1			ⓧ II 2G Ex h IIC T* Gb X ⓧ II 2D Ex h IIIC T**C Db X




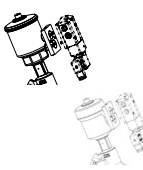


2GD		Plastic actuator		Metallic actuator	
T*°C	T*	Ts amb	T fluid	Ts amb	T fluid
300°C	T2	-	-	70°C	220°C
200°C	T3	60°C	180°C	70°C	184°C
135°C	T4	60°C	115°C	70°C	119°C
100°C	T5	60°C	80°C	70°C	80°C
85°C	T6	60°C	60°C	60°C	60°C

T\*°C = Surface temperature  
 T\* = Temperature class  
 Ts amb = Ambient temperature  
 T fluid = Fluid temperature

01535GB-2022/R01  
Availability, design and specifications are subject to change without notice. All rights reserved.



## Choice of options and accessories

Options	NC	NO	NC	-	Actuator diameter compatibility (mm)					
	Fluid entry under the disc	Fluid entry under the disc	Fluid entry above the disc	Bistable function	32	50	63	90	125	
PFB	●	●	●	-	● (1)	● (1)	●	●	●	 Prepared for signaling box or signaling unit mounting (1) Except plastic actuator for NO version.
-	●	●	●	-	-	● (1)	●	●	●	 See the dedicated catalogue pages • The signaling box fits on compatible actuators to indicate whether the valve is open or closed (1) Except plastic actuator for NO version.
-	●	●	●	-	● (1)	● (1)	●	●	●	 See the dedicated catalogue pages • Signaling unit with reed switch or magneto-resistive (MR) detectors for compatible actuators (1) Except plastic actuator for NO version.
02S	●	●	●	●	●	●	●	●	●	 <b>Oxygen service</b> • Special grease and cleaning • Pressure limited to 15 bar/temperature limited to +60°C
see page 14	●	●	●	●	-	●	●	●	●	 <b>Adapter plate for NAMUR pad-mount pilot</b> • Adaptable on 63 mm, 90 mm and 125 mm actuators (and 50 mm stainless steel actuator) • Stainless steel AISI 316L • Solenoid pilot valves, series 551, 3/2 NC: - Aluminum body, catalog number SCG551A001 - AISI 316L stainless steel body, catalog number SCG551A409
STL	●	-	●	-	-	● (1)	●	●	●	 Stroke limiter for opening (1) Except plastic actuator for NO version.
TC6	●	●	●	●	●	●	●	●	●	Test tightness class VI (FCI 70-2)
VAC	●	●	-	-	●	●	●	●	●	 Industrial vacuum 10 <sup>-3</sup> mbar (FPM disc)
M31	●	●	●	●	●	●	●	●	●	Valve body material composition certificate 3.1
FBO	●	●	●	●	●	●	●	●	●	 EC 1935/2004 and FDA CFR 21 material
WSP	●	●	●	-	●	●	●	●	●	PTFE wiper seal (for filtered / cleaned medium)
WSF	●	●	●	-	●	●	●	●	-	FPM piston seal
11B	●	-	●	-	-	●	●	●	●	 Manual safety device • Allows opening of a de-energized valve • For normally closed (NC) valves only (under/above the disc)
V10	●	●	●	-	● (NC)	● (2)	● (2)	● (2)	●	 Visual position indicator <sup>(2)</sup> • Visual indication of open or closed position for NC valves with 32 mm or 50 mm plastic actuator • Applicable for NO and double acting with 32 mm actuator <sup>(2)</sup> For 32 mm and 50 mm plastic actuators (standard for 63 mm, 90 mm and 125 mm plastic actuators and all stainless steel actuators)

• Available feature


- Not available

When a combination of several options are selected (using the product configurator on our website) you will be provided with a specific combination code

## Choice of pilots

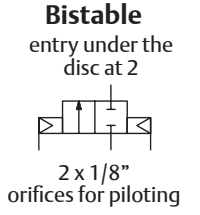
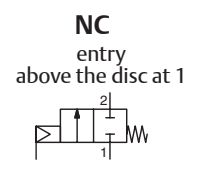
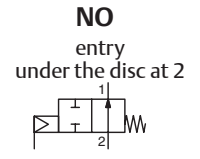
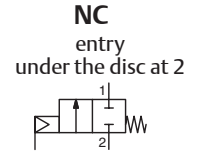
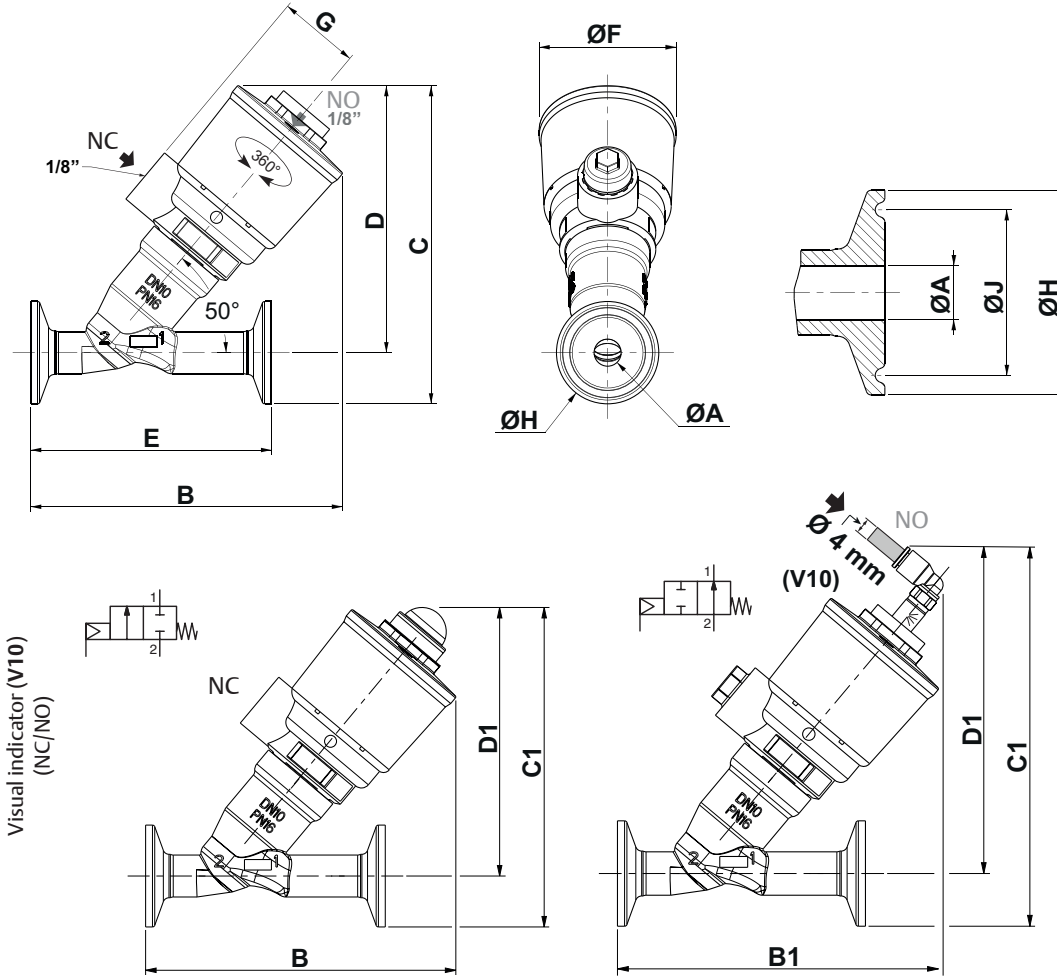
(For information about pilots, please consult the dedicated catalog pages)

# ASCO™ Pneumatic Angle Seat Valves

Dimensions mm (inches), Weight kg (Lbs) 

Configurator - CAD Files

**TYPE 01**  
32 mm actuator / Plastic actuator  
Fluid entry:  
under the disc at 2  
above the disc at 1



01535GB-2021/R01 Availability, design and specifications are subject to change without notice. All rights reserved.

Type	Ø (mm)	DN	ØA		B		B1 (V10)		C		C1 (V10)				D		
			ISO	BPE	ISO	BPE	ISO	BPE	ISO	BPE	ISO		BPE		ISO	BPE	
											NC	NO	NC	NO			
01	32	3/8" 10	mm	9	7	103.5	103.5	104.5	104.5	106	101	107	123.5	102	118.5	89	89
			(in)	0.354	0.276	4.075	4.075	4.114	4.114	4.173	3.976	4.213	4.862	4.016	4.665	3.504	3.504
		1/2" 15	mm	15	9	112	103.5	114	105.5	107	101	108	124.5	102	118.5	90	88.5
			(in)	0.591	0.354	4.409	4.075	4.488	4.154	4.213	3.976	4.252	4.902	4.016	4.665	3.543	3.484
		3/4" 20	mm	20	15	113	112	115	113	115	102.5	115.5	132	103.5	119.5	90	90
			(in)	0.787	0.591	4.449	4.409	4.528	4.449	4.528	4.035	4.547	5.197	4.075	4.705	3.543	3.543
					D1 (V10)				E		ØF	G	ØH		ØJ		Weight <sup>(1)</sup>
		ISO		BPE		ISO	BPE	ISO	BPE	ISO			BPE	ISO	BPE		
				NC	NO	NC	NO										
		3/8" 10	mm	90	106	90	106	80	80	46	27	34	25	27.5	20.32	0.4	kg
			(in)	3.543	4.173	3.543	4.173	3.150	3.150	1.811	1.063	1.339	0.984	1.083	0.800	0.9	(Lbs)
		1/2" 15	mm	91	107	89.5	106	101.6	80	46	27	34	25	27.5	20.32	0.5	kg
(in)	3.583		4.213	3.524	4.173	4.000	3.150	1.811	1.063	1.339	0.984	1.083	0.800	1.1	(Lbs)		
3/4" 20	mm	91	107	91	107	114	101.6	46	27	50.5	25	43.5	20.32	0.6	kg		
	(in)	3.583	4.213	3.583	4.213	4.488	4.000	1.811	1.063	1.988	0.984	1.713	0.800	1.3	(Lbs)		

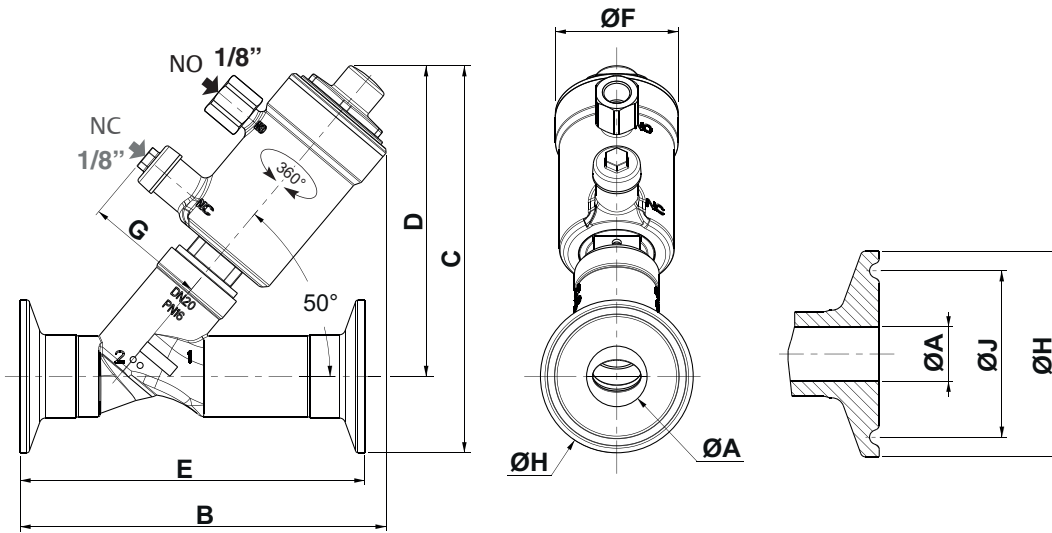
<sup>(1)</sup> Weight of valve without pilot.  
For solenoid pilot valve, see dedicated catalog pages.

**Dimensions mm (inches), Weight kg (Lbs)**

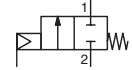
Configurator - CAD Files



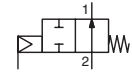
**TYPE 01**  
32 mm actuator / Stainless steel actuator  
Fluid entry:  
under the disc at 2  
above the disc at 1



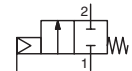
**NC**  
entry  
under the disc at 2



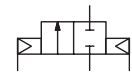
**NO**  
entry  
under the disc at 2



**NC**  
entry  
above the disc at 1



**Bistable**  
entry under the  
disc at 2



2 x 1/8"  
orifices for piloting

Type	Ø (mm)	DN	ØA		B		C		D		Weight <sup>(1)</sup>					
			ISO	BPE	ISO	BPE	ISO	BPE	ISO	BPE						
01	32	3/8"	10	mm	9	7	112	112	119	114.5	102	102				
				(in)	0.354	0.276	4.409	4.409	4.685	4.508	4.016	4.016				
		1/2"	15	mm	15	9	120	112	120	114.5	103	102				
				(in)	0.591	0.354	4.724	4.409	4.724	4.508	4.055	4.016				
		3/4"	20	mm	20	15	121	120	128	115.5	103	103				
				(in)	0.787	0.591	4.764	4.724	5.039	4.547	4.055	4.055				
					E		ØF	G	ØH		ØJ		Weight <sup>(1)</sup>			
					ISO	BPE			ISO	BPE	ISO	BPE				
				3/8"	10	mm	80	80	41	40	34	25	27.5	20.32	0.6	kg
						(in)	3.150	3.150	1.614	1.575	1.339	0.984	1.083	0.800	1.3	(Lbs)
				1/2"	15	mm	101.6	80	41	40	34	25	27.5	20.32	0.7	kg
						(in)	4.000	3.150	1.614	1.575	1.339	0.984	1.083	0.800	1.5	(Lbs)
		3/4"	20	mm	114	101.6	41	40	50.5	25	43.5	20.32	0.8	kg		
				(in)	4.488	4.000	1.614	1.575	1.988	0.984	1.713	0.800	1.8	(Lbs)		

<sup>(1)</sup> Weight of valve without pilot.  
For solenoid pilot valve, see dedicated catalog pages.

# ASCO™ Pneumatic Angle Seat Valves

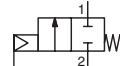
## Dimensions mm (inches), Weight kg (Lbs)

Configurator - CAD Files

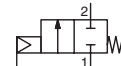


**TYPE 02**  
50 mm actuator / Plastic actuator  
Fluid entry:  
under the disc at 2  
above the disc at 1

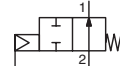
**NC**  
entry  
under the disc at 2



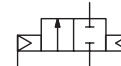
**NC**  
entry  
above the disc at 1



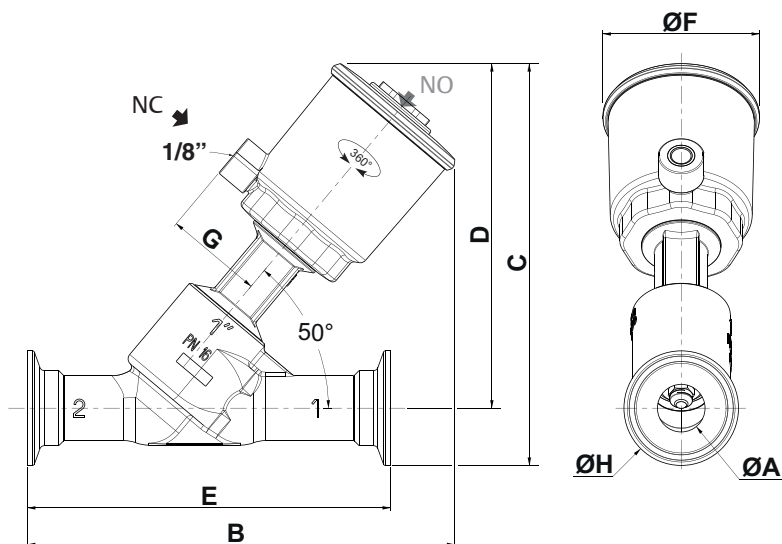
**NO**  
entry  
under the disc at 2



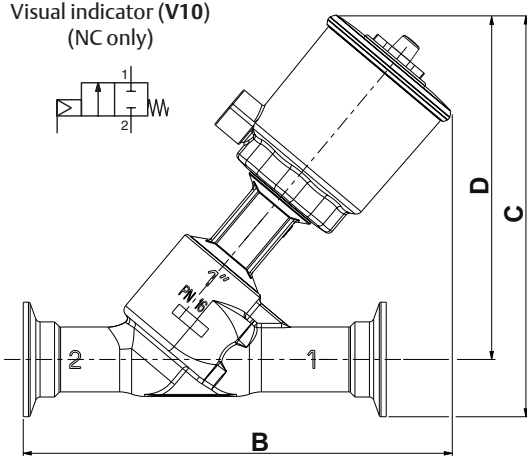
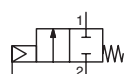
**Bistable**  
entry  
under the disc at 2



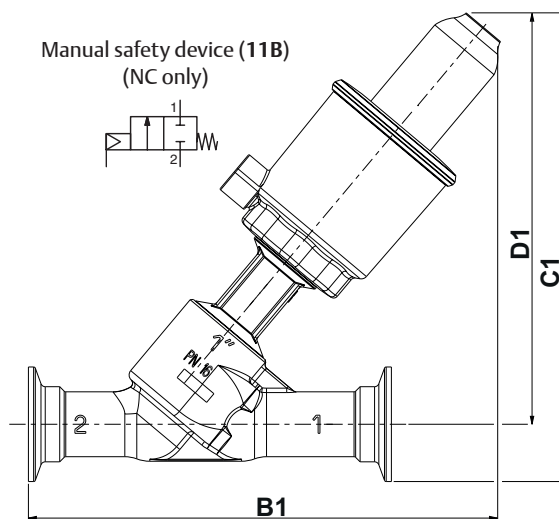
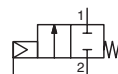
2 x 1/8" orifices for piloting



Visual indicator (V10)  
(NC only)



Manual safety device (11B)  
(NC only)



Type	Ø (mm)	DN	ØA				B	B1 (11B)	C				C1 (11B)						
			ISO	BPE	SMS	DIN			ISO	BPE	SMS	DIN	ISO	BPE	SMS	DIN			
02	50	1/2"	15	mm	15	9	-	15	168.5	189	160.5	156	-	160.5	191.5	187	-	191.5	
			(in)	0.591	0.354	-	0.591	6.634	7.441	6.319	6.142	-	6.319	7.539	7.362	-	7.539		
		3/4"	20	mm	15	15	-	15	168.5	189	169	157	-	160.5	200	188	-	191.5	
			(in)	0.591	0.591	-	0.591	6.634	7.441	6.654	6.181	-	6.319	7.874	7.402	-	7.539		
		1"	25	mm	21	21	21	21	188.5	209	177	177	177	177	208	208	208	208	
			(in)	0.827	0.827	0.827	0.827	7.421	8.228	6.969	6.969	6.969	6.969	8.189	8.189	8.189	8.189		
					D	D1 (11B)	E	ØF	G	ØH				ØJ				Weight <sup>(1)</sup>	
					ISO	BPE	SMS	DIN	ISO	BPE	SMS	DIN	ISO	BPE	SMS	DIN			
		1/2"	15	mm	143.5	174.5	130	69	43	34	25	-	34	27.5	20.32	-	27.5	0.9	kg
				(in)	5.650	6.870	5.118	2.717	1.693	1.339	0.984	-	1.339	1.083	0.800	-	1.083	2.0	(Lbs)
		3/4"	20	mm	144	175	150	69	43	50.5	25	-	34	43.5	20.32	-	27.5	1.2	kg
				(in)	5.669	6.890	5.906	2.717	1.693	1.988	0.984	-	1.339	1.713	0.800	-	1.083	2.6	(Lbs)
1"	25	mm	152	183	160	69	43	50.5	50.39	50.5	50.5	43.5	43.64	43.5	43.5	1.3	kg		
		(in)	5.984	7.205	6.299	2.717	1.693	1.988	1.984	1.988	1.988	1.713	1.718	1.713	1.713	2.9	(Lbs)		

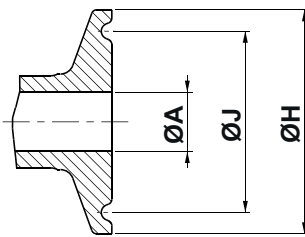
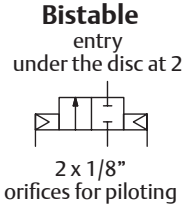
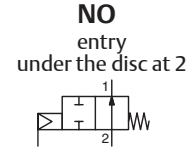
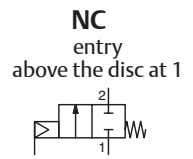
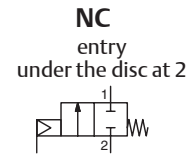
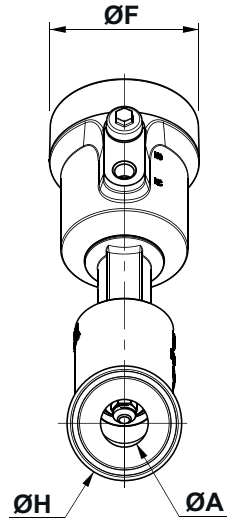
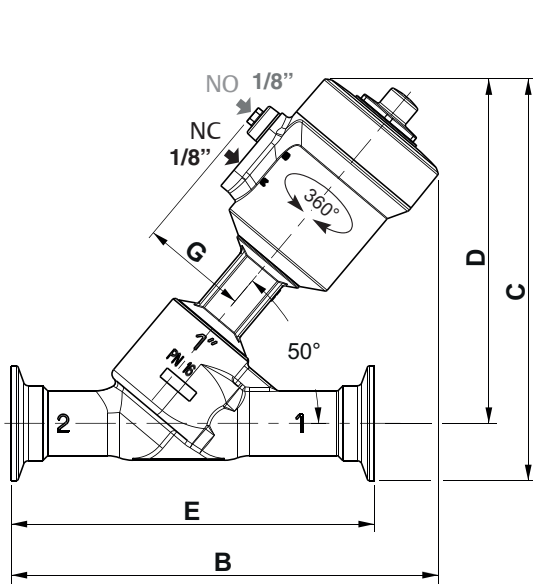
<sup>(1)</sup> Weight of valve without pilot.  
For solenoid pilot valve, see dedicated catalog pages.

**Dimensions mm (inches), Weight kg (Lbs)**

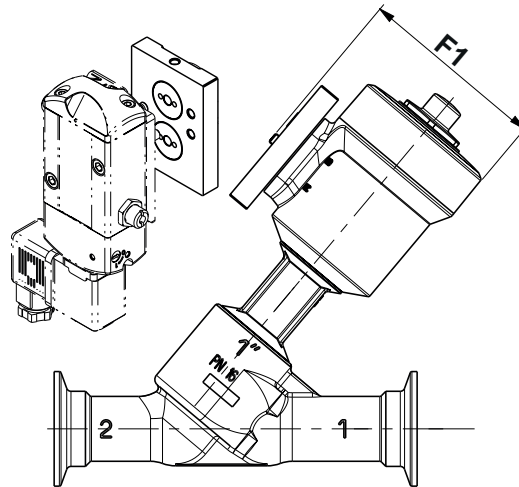
Configurator - CAD Files



**TYPE 02**  
50 mm actuator / Stainless steel actuator  
Fluid entry:  
under the disc at 2  
above the disc at 1



NAMUR plate  
(NC / NO)



Type	Ø (mm)	DN	ØA				B	C				D	E						
			ISO	BPE	SMS	DIN		ISO	BPE	SMS	DIN								
02	50	1/2"	15	mm	15	9	-	15	168	160.5	156	-	160.5	143.5	130				
			(in)	0.591	0.354	-	0.591	6.614	6.319	6.142	-	6.319	5.650	5.118					
		3/4"	20	mm	15	15	-	15	168.5	169	156.5	-	161	144	150				
			(in)	0.591	0.591	-	0.591	6.634	6.654	6.161	-	6.339	5.669	5.906					
		1"	25	mm	21	21	21	21	188.5	177	177	177	177	152	160				
			(in)	0.827	0.827	0.827	0.827	7.421	6.969	6.969	6.969	6.969	5.984	6.299					
					ØF	F1 (NAMUR)	G	ØH				ØJ				Weight <sup>(1)</sup>			
					ISO	BPE	SMS	DIN	ISO	BPE	SMS	DIN	ISO	BPE	SMS		DIN		
				1/2"	15	mm	65.5	82	47	34	25	-	34	27.5	20.32	-	27.5	1.4	kg
				(in)	(in)	2.579	3.228	1.850	1.339	0.984	-	1.339	1.083	0.800	-	1.083	3.1	(Lbs)	
				3/4"	20	mm	65.5	82	47	50.5	25	-	34	43.5	20.32	-	27.5	1.7	kg
					(in)	(in)	2.579	3.228	1.850	1.988	0.984	-	1.339	1.713	0.800	-	1.083	3.7	(Lbs)
		1"	25	mm	65.5	82	47	50.5	50.39	50.5	50.5	43.5	43.64	43.5	43.5	1.8	kg		
			(in)	(in)	2.579	3.228	1.850	1.988	1.984	1.988	1.988	1.713	1.718	1.713	1.713	4.0	(Lbs)		

<sup>(1)</sup> Weight of valve without pilot.  
For solenoid pilot valve, see dedicated catalog pages.



# ASCO™ Pneumatic Angle Seat Valves

Series  
**290**

Dimensions mm (inches), Weight kg (Lbs)

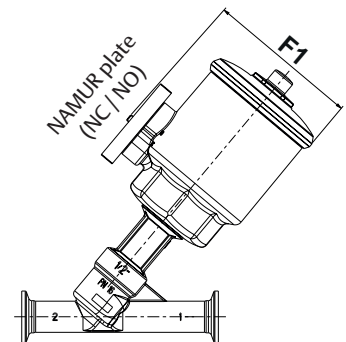
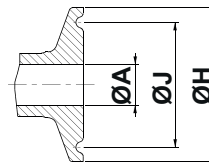
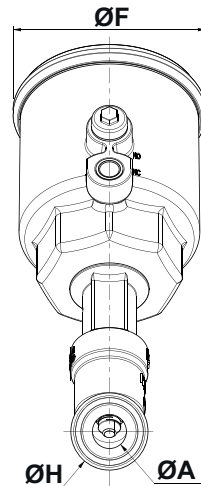
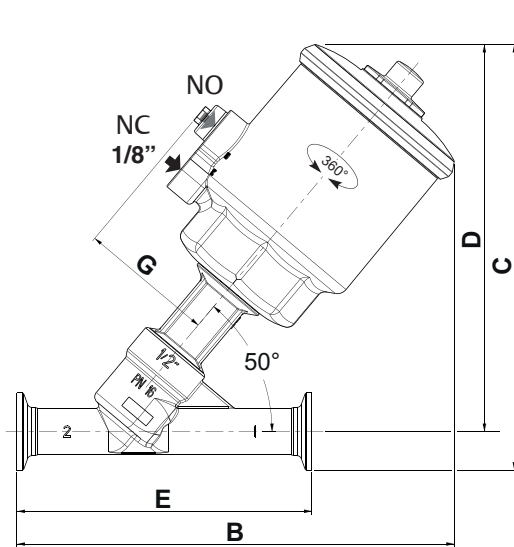
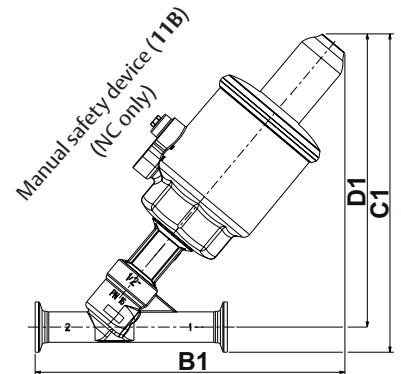
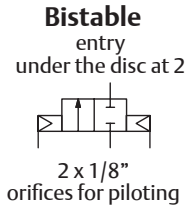
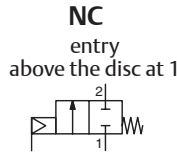
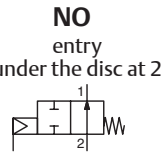
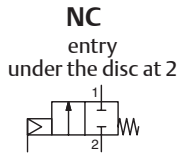
Configurator - CAD Files



### TYPE 03

63 mm actuator / Plastic actuator

Fluid entry:  
under the disc at 2  
above the disc at 1



Type	Ø (mm)	DN	ØA				B	B1 (11B)	C				C1 (11B)				D	
			ISO	BPE	SMS	DIN			ISO	BPE	SMS	DIN	ISO	BPE	SMS	DIN		
			mm	mm	mm	mm			mm	mm	mm	mm	mm	mm	mm	mm		
03	63	1/2"	15	15	-	15	193	210.5	187.5	183	-	187.5	216	211.5	-	216	170.5	
			(in)	0.591	0.354	-	0.591	7.598	8.287	7.382	7.205	-	7.382	8.504	8.327	-	8.504	6.713
		3/4"	20	15	15	-	15	193	210.5	196.5	184	-	189	225	212.5	-	217.5	171
			(in)	0.591	0.591	-	0.591	7.598	8.287	7.736	7.244	-	7.441	8.858	8.366	-	8.563	6.732
		1"	25	21	21	21	21	213	230.5	204.5	204.5	204.5	204.5	233	233	233	233	179
			(in)	0.827	0.827	0.827	0.827	8.386	9.075	8.051	8.051	8.051	8.051	9.173	9.173	9.173	9.173	7.047
		1 1/4"	32	30.3	-	30.3	30.3	235	252.5	216	-	216	216	244.5	-	244.5	244.5	191
			(in)	1.193	-	1.193	1.193	9.252	9.941	8.504	-	8.504	8.504	9.626	-	9.626	9.626	7.520
		1 1/2"	40	33	33	33	33	237	254.5	224.5	218	218	218	253	246.5	246.5	246.5	192.5
			(in)	1.299	1.299	1.299	1.299	9.331	10.020	8.839	8.583	8.583	8.583	9.961	9.705	9.705	9.705	7.579
		2"	50	46.5	46.5	46.5	46.5	268	285.5	238	231	231	231	266.5	259.5	259.5	259.5	199
			(in)	1.831	1.831	1.831	1.831	10.551	11.240	9.370	9.094	9.094	9.094	10.492	10.217	10.217	10.217	7.835
03	63	1/2"	15	199	130	85	104	59.5	34	25	-	34	27.5	20.32	-	27.5	1.1	kg
			(in)	7.835	5.118	3.346	4.094	2.343	1.339	0.984	-	1.339	1.083	0.800	-	1.083	2.4	(Lbs)
		3/4"	20	199.5	150	85	104	59.5	50.5	25	-	34	43.5	20.32	-	27.5	1.4	kg
			(in)	7.854	5.906	3.346	4.094	2.343	1.988	0.984	-	1.339	1.713	0.800	-	1.083	3.1	(Lbs)
		1"	25	207.5	160	85	104	59.5	50.5	50.39	50.5	50.5	43.5	43.64	43.5	43.5	1.6	kg
			(in)	8.169	6.299	3.346	4.094	2.343	1.988	1.984	1.988	1.988	1.713	1.718	1.713	1.713	3.5	(Lbs)
		1 1/4"	32	219.5	180	85	104	59.5	50.5	-	50.5	50.5	43.5	-	43.5	43.5	2.0	kg
			(in)	8.642	7.087	3.346	4.094	2.343	1.988	-	1.988	1.988	1.713	-	1.713	1.713	4.4	(Lbs)
		1 1/2"	40	221	200	85	104	59.5	64	50.39	50.5	50.5	56.5	43.64	43.5	43.5	3.1	kg
			(in)	8.701	7.874	3.346	4.094	2.343	2.520	1.984	1.988	1.988	2.224	1.718	1.713	1.713	6.8	(Lbs)
		2"	50	227.5	230	85	104	59.5	77.5	63.91	64	64	70.5	56.34	56.5	56.5	3.8	kg
			(in)	8.957	9.055	3.346	4.094	2.343	3.051	2.516	2.520	2.520	2.776	2.218	2.224	2.224	8.4	(Lbs)

(1) Weight of valve without pilot.  
For solenoid pilot valve, see dedicated catalog pages.

01535GB-2021/R01  
Availability, design and specifications are subject to change without notice. All rights reserved.

01535GB-2021/R01  
Availability, design and specifications are subject to change without notice. All rights reserved.

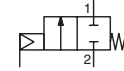
**Dimensions mm (inches), Weight kg (Lbs)**



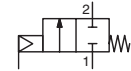
**TYPE 03**  
63 mm actuator / Stainless steel actuator  
Fluid entry:  
under the disc at 2  
above the disc at 1

Configurator - CAD Files

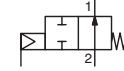
**NC**  
entry  
under the disc at 2



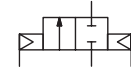
**NC**  
entry  
above the disc at 1



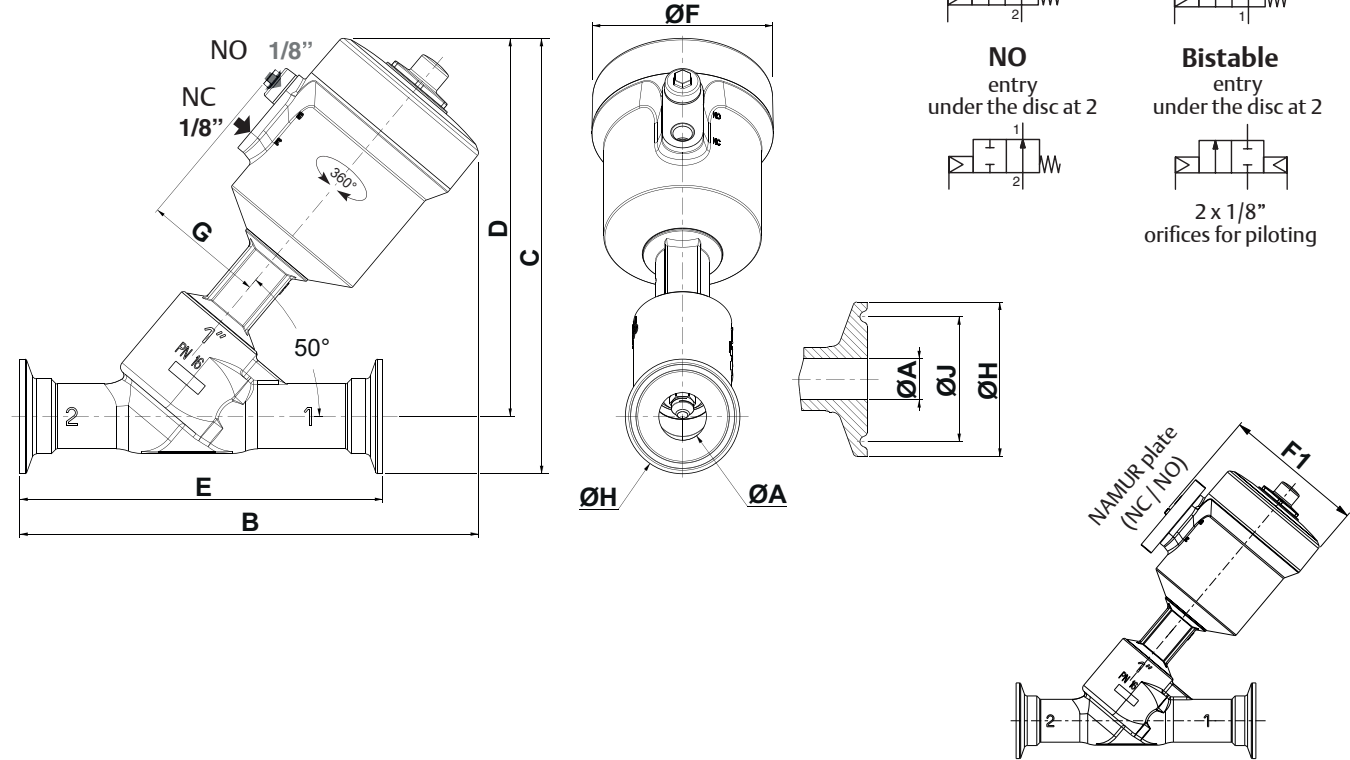
**NO**  
entry  
under the disc at 2



**Bistable**  
entry  
under the disc at 2



2 x 1/8" orifices for piloting



Type	Ø (mm)	DN	ØA				B	C				D	E					
			ISO	BPE	SMS	DIN		ISO	BPE	SMS	DIN							
03	63	1/2"	15	mm 15 (in) 0.591	9 0.354	-	15 0.591	182 7.165	175 6.890	171 6.732	-	175 6.890	158.5 6.240	130 5.118				
			20	mm 15 (in) 0.591	15 0.591	-	15 0.591	182.5 7.185	184 7.244	171.5 6.752	-	176 6.929	159 6.260	150 5.906				
		1"	25	mm 21 (in) 0.827	21 0.827	-	21 0.827	202.5 7.972	192 7.559	192 7.559	192 7.559	192 7.559	167 6.575	160 6.299				
			32	mm 30.3 (in) 1.193	-	30.3 1.193	30.3 1.193	224.5 8.839	203.5 8.012	-	203.5 8.012	203.5 8.012	178.5 7.028	180 7.087				
		1 1/2"	40	mm 33 (in) 1.299	33 1.299	-	33 1.299	226.5 8.917	212.5 8.366	205.5 8.091	205.5 8.091	205.5 8.091	180.5 7.106	200 7.874				
			50	mm 46.5 (in) 1.831	46.5 1.831	-	46.5 1.831	257.5 10.138	225.5 8.878	219 8.622	219 8.622	219 8.622	187 7.362	230 9.055				
					ØF	F1 (NAMUR)	G	ØH				ØJ				Weight <sup>(1)</sup>		
					mm			ISO	BPE	SMS	DIN	ISO	BPE	SMS	DIN			
		1/2"			15	79.5 (in) 3.130	95 3.740	53 2.087	34 1.339	25 0.984	-	34 1.339	27.5 1.083	20.32 0.800	-	27.5 1.083	1.9 4.2	kg (Lbs)
		3/4"			20	79.5 (in) 3.130	95 3.740	53 2.087	50.5 1.988	25 0.984	-	34 1.339	43.5 1.713	20.32 0.800	-	27.5 1.083	2.2 4.9	kg (Lbs)
		1"			25	79.5 (in) 3.130	95 3.740	53 2.087	50.5 1.988	50.39 1.984	50.5 1.988	50.5 1.988	43.5 1.713	43.64 1.718	43.5 1.713	43.5 1.713	2.3 5.1	kg (Lbs)
		1 1/4"			32	79.5 (in) 3.130	95 3.740	53 2.087	50.5 1.988	-	50.5 1.988	50.5 1.988	43.5 1.713	-	43.5 1.713	43.5 1.713	2.7 6.0	kg (Lbs)
1 1/2"			40	79.5 (in) 3.130	95 3.740	53 2.087	64 2.520	50.39 1.984	50.5 1.988	50.5 1.988	56.5 2.224	43.64 1.718	43.5 1.713	43.5 1.713	3.8 8.4	kg (Lbs)		
2"			50	79.5 (in) 3.130	95 3.740	53 2.087	77.5 3.051	63.91 2.516	64 2.520	64 2.520	70.5 2.776	56.34 2.218	56.5 2.224	56.5 2.224	4.5 9.9	kg (Lbs)		

<sup>(1)</sup> Weight of valve without pilot.  
For solenoid pilot valve, see dedicated catalog pages.

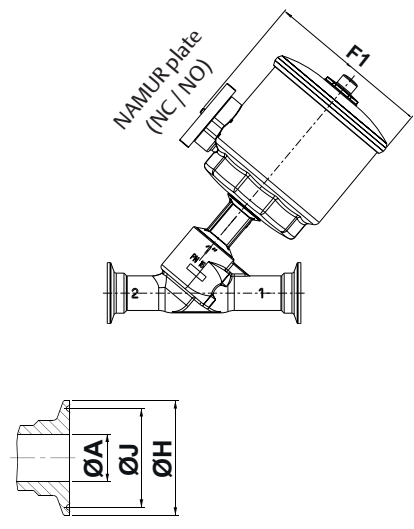
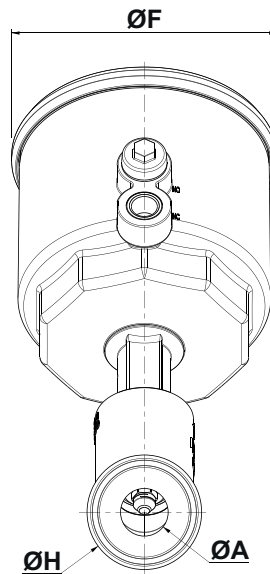
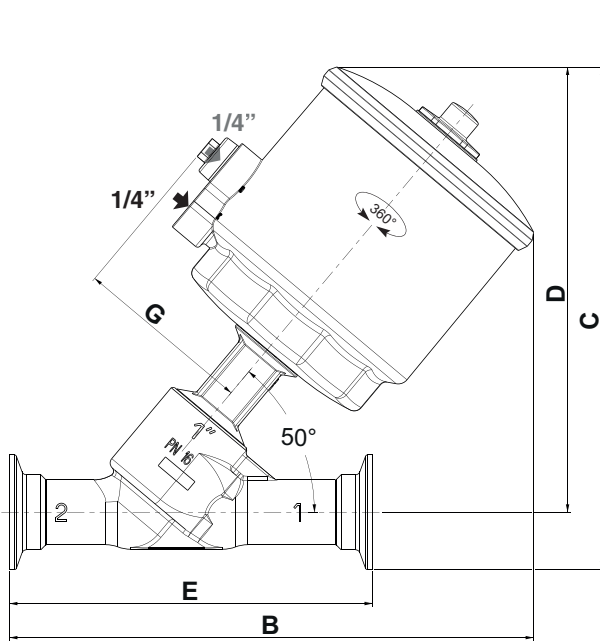
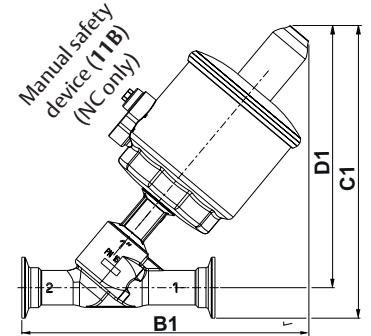
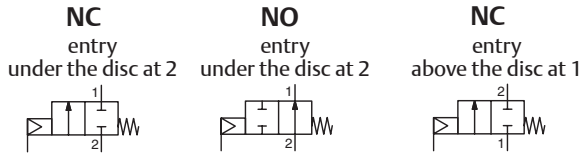
# ASCO™ Pneumatic Angle Seat Valves

Dimensions mm (inches), Weight kg (Lbs)

Configurator - CAD Files



**TYPE 04**  
90 mm actuator / Plastic actuator  
Fluid entry:  
under the disc at 2  
above the disc at 1



Type	Ø (mm)	DN	ØA	B	B1 (11B)	C				C1 (11B)				D	D1 (11B)		
						ISO	BPE	SMS	DIN	ISO	BPE	SMS	DIN				
04	90	1"	25	mm 21	231	237.5	221.5	221.5	221.5	221.5	241.5	241.5	241.5	241.5	196.5	216.5	
			(in) 0.827	9.094	9.350	8.720	8.720	8.720	8.720	9.508	9.508	9.508	9.508	7.736	8.524		
		1 1/4"	32	mm 30.3	253.5	260	233	-	233	233	253	-	253	253	208	228	
			(in) 1.193	9.980	10.236	9.173	-	9.173	9.173	9.961	-	9.961	9.961	8.189	8.976		
		1 1/2"	40	mm 33	255.5	262	242	235	235	235	262	255	255	255	210	230	
			(in) 1.299	10.059	10.315	9.528	9.252	9.252	9.252	10.315	10.039	10.039	10.039	8.268	9.055		
		2"	50	mm 46.5	286.5	293	255	248.5	248.5	248.5	275	268.5	268.5	268.5	216.5	236.5	
			(in) 1.831	11.280	11.535	10.039	9.783	9.783	9.783	10.827	10.571	10.571	10.571	8.524	9.311		
		2 1/2"	65	mm 65	326.5	333	275	-	-	-	295	-	-	-	229.5	249.5	
			(in) 2.559	12.854	13.110	10.827	-	-	-	11.614	-	-	-	9.035	9.823		
					E	ØF	F1 (NAMUR)	G	ØH				ØJ				Weight <sup>(1)</sup>
					mm	160	117	137	78.5	50.5	50.39	50.5	50.5	43.5	43.64	43.5	43.5
			(in)	6.299	4.606	5.394	3.091	1.988	1.984	1.988	1.988	1.713	1.718	1.713	1.713	4.9	(Lbs)
			mm	180	117	137	78.5	50.5	-	50.5	50.5	43.5	-	43.5	43.5	2.6	kg
			(in)	7.087	4.606	5.394	3.091	1.988	-	1.988	1.988	1.713	-	1.713	1.713	5.7	(Lbs)
			mm	200	117	137	78.5	64	50.39	50.5	50.5	56.5	43.64	43.5	43.5	3.7	kg
			(in)	7.874	4.606	5.394	3.091	2.520	1.984	1.988	1.988	2.224	1.718	1.713	1.713	8.2	(Lbs)
			mm	230	117	137	78.5	77.5	63.91	64	64	70.5	56.34	56.5	56.5	4.4	kg
			(in)	9.055	4.606	5.394	3.091	3.051	2.516	2.520	2.520	2.776	2.218	2.224	2.224	9.7	(Lbs)
			mm	290	117	137	78.5	91	-	-	-	83.5	-	-	-	6.5	kg
			(in)	11.417	4.606	5.394	3.091	3.583	-	-	-	3.287	-	-	-	14.3	(Lbs)

<sup>(1)</sup> Weight of valve without pilot.  
For solenoid pilot valve. see dedicated catalog pages.

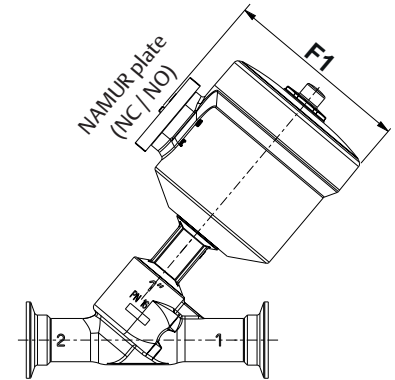
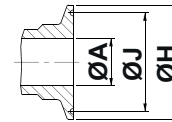
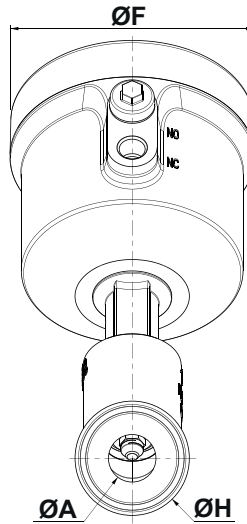
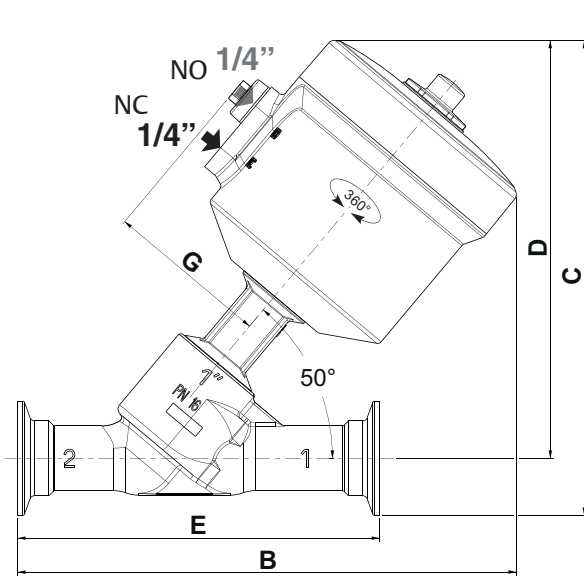
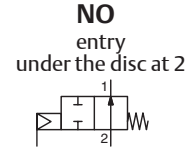
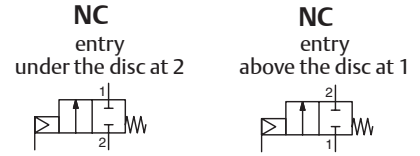
01535GB-2021/R01  
Availability, design and specifications are subject to change without notice. All rights reserved.

**Dimensions mm (inches), Weight kg (Lbs)**

Configurator - CAD Files



**TYPE 04**  
90 mm actuator / Stainless steel actuator  
Fluid entry:  
under the disc at 2  
above the disc at 1



Type	Ø (mm)	DN		ØA	B	C				D	E	ØF	F1 (NAMUR)					
						ISO	BPE	SMS	DIN									
04	90	1"	25	mm (in)	21 0.827	220.5 8.681	210 8.268	210 8.268	210 8.268	210 8.268	185 7.283	160 6.299	108 4.252	126 4.961				
			32	mm (in)	30.3 1.193	243 9.567	221.5 8.720	- -	221.5 8.720	221.5 8.720	196.5 7.736	180 7.087	108 4.252	126 4.961				
		1 1/4"	40	mm (in)	33 1.299	245 9.646	230.5 9.075	223.5 8.799	223.5 8.799	223.5 8.799	198.5 7.815	200 7.874	108 4.252	126 4.961				
			50	mm (in)	46.5 1.831	276 10.866	243.5 9.587	237 9.331	237 9.331	237 9.331	205 8.071	230 9.055	108 4.252	126 4.961				
		2"	65	mm (in)	65 2.559	316 12.441	263.5 10.374	- -	- -	- -	218 8.583	290 11.417	108 4.252	126 4.961				
			65	mm (in)	65 2.559	316 12.441	263.5 10.374	- -	- -	- -	218 8.583	290 11.417	108 4.252	126 4.961				
		04	90	1"	25	mm (in)	G	ØH				ØJ				Weight <sup>(1)</sup>		
								ISO	BPE	SMS	DIN	ISO	BPE	SMS	DIN			
				1 1/4"	32	mm (in)	G	72	50.5	50.39	50.5	50.5	43.5	43.64	43.5	43.5	3.4	kg
								2.835	1.988	1.984	1.988	1.988	1.713	1.718	1.713	1.713	7.5	(Lbs)
1 1/2"	40			mm (in)	G	72	50.5	-	50.5	50.5	43.5	-	43.5	43.5	3.8	kg		
						2.835	1.988	-	1.988	1.988	1.713	-	1.713	1.713	8.4	(Lbs)		
2"	50	mm (in)	G	72	64	50.39	50.5	50.5	56.5	43.64	43.5	43.5	4.8	kg				
				2.835	2.520	1.984	1.988	1.988	2.224	1.718	1.713	1.713	10.6	(Lbs)				
2 1/2"	65	mm (in)	G	72	77.5	63.91	64	64	70.5	56.34	56.5	56.5	5.6	kg				
				2.835	3.051	2.516	2.520	2.520	2.776	2.218	2.224	2.224	12.3	(Lbs)				
2 1/2"	65	mm (in)	G	72	91	-	-	-	83.5	-	-	-	7.7	kg				
				2.835	3.583	-	-	-	3.287	-	-	-	-	17.0	(Lbs)			

<sup>(1)</sup> Weight of valve without pilot.  
For solenoid pilot valve, see dedicated catalog pages.

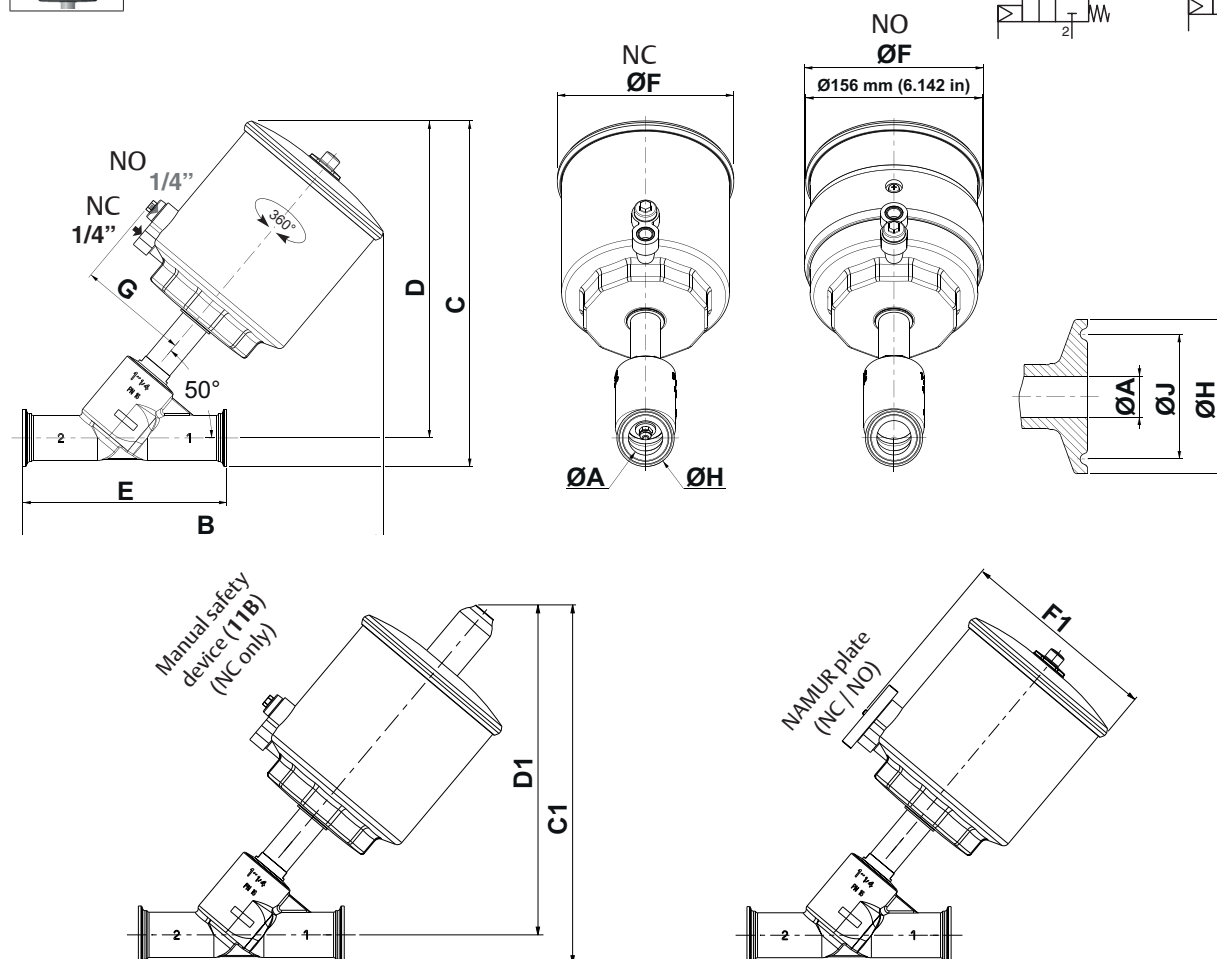
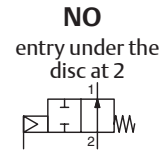
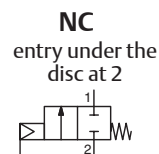
# ASCO™ Pneumatic Angle Seat Valves

Dimensions mm (inches), Weight kg (Lbs) 

Configurator - CAD Files



**TYPE 05**  
125 mm actuator / Plastic actuator  
Fluid entry:  
under the disc at 2



Type	Ø (mm)	DN	ØA	B	C				C1 (11 B)				D	D1 (11B)	E			
					ISO	BPE	SMS	DIN	ISO	BPE	SMS	DIN						
05	125	1 1/4"	32	mm	30.3	318	305	-	305	305	313.5	-	313.5	313.5	279.5	288	180	
				(in)	1.193	12.520	12.008	-	12.008	12.008	12.343	-	12.343	12.343	11.004	11.339	7.087	
		1 1/2"	40	mm	33	321	315	308.5	308.5	308.5	323.5	317	317	317	283	291.5	200	
				(in)	1.299	12.638	12.402	12.146	12.146	12.146	12.736	12.480	12.480	12.480	11.142	11.476	7.874	
		2"	50	mm	46.5	353.5	330	323	323	323	338.5	331.5	331.5	331.5	291	299.5	230	
				(in)	1.831	13.917	12.992	12.717	12.717	12.717	13.327	13.051	13.051	13.051	11.457	11.791	9.055	
		2 1/2"	65	mm	65	396	353	-	-	-	361.5	-	-	-	307.5	316	290	
				(in)	2.559	15.591	13.898	-	-	-	14.232	-	-	-	12.106	12.441	11.417	

Type	Ø (mm)	DN	ØA	B	ØF		F1 (NAMUR)	G	ØH				ØJ				Weight <sup>(1)</sup>	
					NC	NO			ISO	BPE	SMS	DIN	ISO	BPE	SMS	DIN		
05	125	1 1/4"	32	mm	156	158	175	97	50.5	-	50.5	50.5	43.5	-	43.5	43.5	5.6	kg
				(in)	6.142	6.220	6.890	3.819	1.988	-	1.988	1.988	1.713	-	1.713	1.713	12.3	(Lbs)
		1 1/2"	40	mm	156	158	175	97	64	50.39	50.5	56.5	43.64	43.5	43.5	6.9	kg	
				(in)	6.142	6.220	6.890	3.819	2.520	1.984	1.988	1.988	2.224	1.718	1.713	15.2	(Lbs)	
		2"	50	mm	156	158	175	97	77.5	63.91	64	70.5	56.34	56.5	56.5	7.7	kg	
				(in)	6.142	6.220	6.890	3.819	3.051	2.516	2.520	2.520	2.776	2.218	2.224	17.0	(Lbs)	
		2 1/2"	65	mm	156	158	175	97	91	-	-	-	83.5	-	-	10	kg	
				(in)	6.142	6.220	6.890	3.819	3.583	-	-	-	3.287	-	-	22.0	(Lbs)	

<sup>(1)</sup> Weight of valve without pilot.  
For solenoid pilot valve, see dedicated catalog pages.

01535GB-2021/R01  
Availability, design and specifications are subject to change without notice. All rights reserved.