

ASCO™ High-Shock Manual Reset Valves

Brass and Stainless Steel Bodies | 3/8" NPT

SERIES
EV8308/EV8310
Manual Reset

Features

- Once the solenoid is de-energized, it requires power to be restored to the solenoid then the valve to be manually reset. Ideal for controlling critical processes
- Designed to meet vibration and/or shock per ISA specification S71.03C2
- Handles aggressive atmosphere per salt resistance testing (ASTM B117)
- Most hardware is stainless steel, and all aluminum components are hard anodized and Nituff® coated
- Manual reset housing is sealed with closed-cell CR sponge rubber and equipped with sintered bronze breather to prevent accumulation of condensation
- Last chance filter installed in auxiliary air port of the pilot valve
- SIL 3 capable per IEC 61508, certified by Exida

Nituff is a registered trademark of Nimet Industries, Inc.

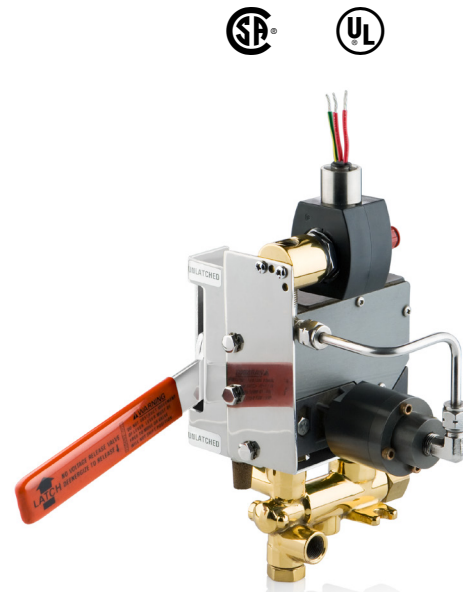
Construction

Valve Parts in Contact with Fluids		
Main Valve		
Body	Brass / Stainless Steel	
Disc	303 Stainless Steel	
Seats	Phosphor Bronze	
Springs	17-7 PH Stainless Steel	
Seals	Buna-N / FKM	
Air Operator Diaphragm	FMQ	
Bearing Screw	430 Stainless Steel	
Lever	302 Stainless Steel	
Pilot Valve	AC 10.1 W	DC 1.4 W
Body	Brass / 303 Stainless Steel	Brass / 303 Stainless Steel
Shading Coil	Silver / Copper	Not Applicable
Seals	NBR	Buna-N/PTFE
Core Tube	305 Stainless Steel	305 Stainless Steel
Core and Plugnut	430F Stainless Steel	430F Stainless Steel
Core Guide	CA	CA
Core Springs	302 & 17-7PH Stainless Steel	302 Stainless Steel

Electrical

Standard Coil and Class of Insulation	Watt Rating and Power Consumption				Spare Coil Part Number			
	DC Watts	AC			General Purpose		Explosionproof	
		Watts	VA Holding	VA Inrush	AC	DC	AC	DC
F	-	10.1	25	76	238610	-	238614	-
F	1.4	-	-	-	-	-	274714-902-D*	-

Standard Voltages: 24, 120, 240, 480 volts AC, 60 Hz. 12, 24 volts DC.
Must be specified when ordering. * 24 VDC. For other voltages contact factory.



Solenoid Enclosures

Standard: Explosionproof and Watertight, Types 3, 3S, 4, 4X, 6, 6D, 7, and 9.

Approvals

CSA certified and UL listed General Purpose Valve (pilot).

ATEX/IECEx certified with prefix "EV" as listed.

SIL 3 capable per IEC 61508.

Third party certification provided by EXIDA.

Refer to Optional Features Electrical Section for details.

Options

Position indicator switch - GO™ Switch (suffix SP)

Contact factory for ordering information.

Operation Alternatives

Electrically Tripped – With the pilot valve solenoid de-energized, the handle is raised manually and latches the operator in the "up" (latched) position. Upon energizing the pilot valve solenoid, the latch is tripped returning the operator to the "down" (unlatched) position.

No Voltage Release – With the pilot valve solenoid energized, the handle is raised manually and latches the operator in the "up" (latched) position. Upon loss of voltage, the latch is tripped returning the operator to the "down" (unlatched) position.

Once tripped, the lever may be cycled causing the valve discs to open and close.

Specifications English units (Metric)

Pipe Size (in)	Orifice Size (in)	Flow Factor Cv (Kv)	Operating Pressure Differential psi (bar)			Fluid Temp. °F (°C)		Max. Ambient Temp. °F (°C)	Catalog Number	Const. Ref.	Body Material	Pilot Construction	Watt Rating/ Class of Coil Insulation per Solenoid	
			Pilot Min.	Pilot Max.	Main Max.	Min.	Max.						AC	DC
3/2 High-Shock Manual Reset Valves - SIL 3 capable, certified by Exida														
3/8	1/4	0.45 (0.39)	25 (1.7)	125 (9)	125 (9)	-40 (-40)	140 (60)	140 (60)	EV8308G385 ①	1	Brass	No Voltage Release (NVR)	-	1.4/F
3/8	1/4	0.45 (0.39)	25 (1.7)	125 (9)	125 (9)	-40 (-40)	140 (60)	140 (60)	EV8310G385 ①	1	Brass	Electrically Tripped (TSO)	-	1.4/F
3/8	1/4	0.45 (0.39)	25 (1.7)	125 (9)	125 (9)	-4 (-20)	200 (93)	125 (52)	EV8308G085 ①	1	Brass	No Voltage Release (NVR)	10.1/F	-
3/8	1/4	0.45 (0.39)	25 (1.7)	125 (9)	125 (9)	-4 (-20)	200 (93)	125 (52)	EV8310G085 ①	1	Brass	Electrically Tripped (TSO)	10.1/F	-
3/8	1/4	0.45 (0.39)	25 (1.7)	125 (9)	125 (9)	-40 (-40)	140 (60)	140 (60)	EV8308G386 ①	2	Stainless Steel	No Voltage Release (NVR)	-	1.4/F
3/8	1/4	0.45 (0.39)	25 (1.7)	125 (9)	125 (9)	-40 (-40)	140 (60)	140 (60)	EV8310G386 ①	2	Stainless Steel	Electrically Tripped (TSO)	-	1.4/F
3/8	1/4	0.45 (0.39)	25 (1.7)	125 (9)	125 (9)	-4 (-20)	200 (93)	125 (52)	EV8308G086 ①	2	Stainless Steel	No Voltage Release (NVR)	10.1/F	-
3/8	1/4	0.45 (0.39)	25 (1.7)	125 (9)	125 (9)	-4 (-20)	200 (93)	125 (52)	EV8310G086 ①	2	Stainless Steel	Electrically Tripped (TSO)	10.1/F	-

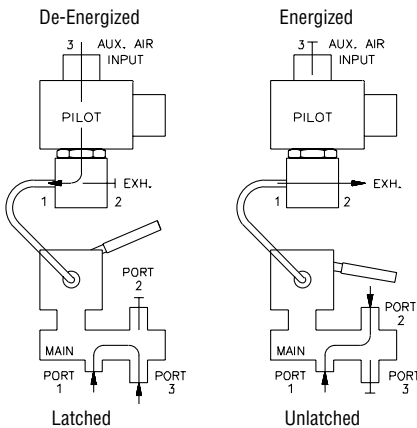
① ATEX/IECEx certified with prefix "EV".

Dimensions inches (mm)

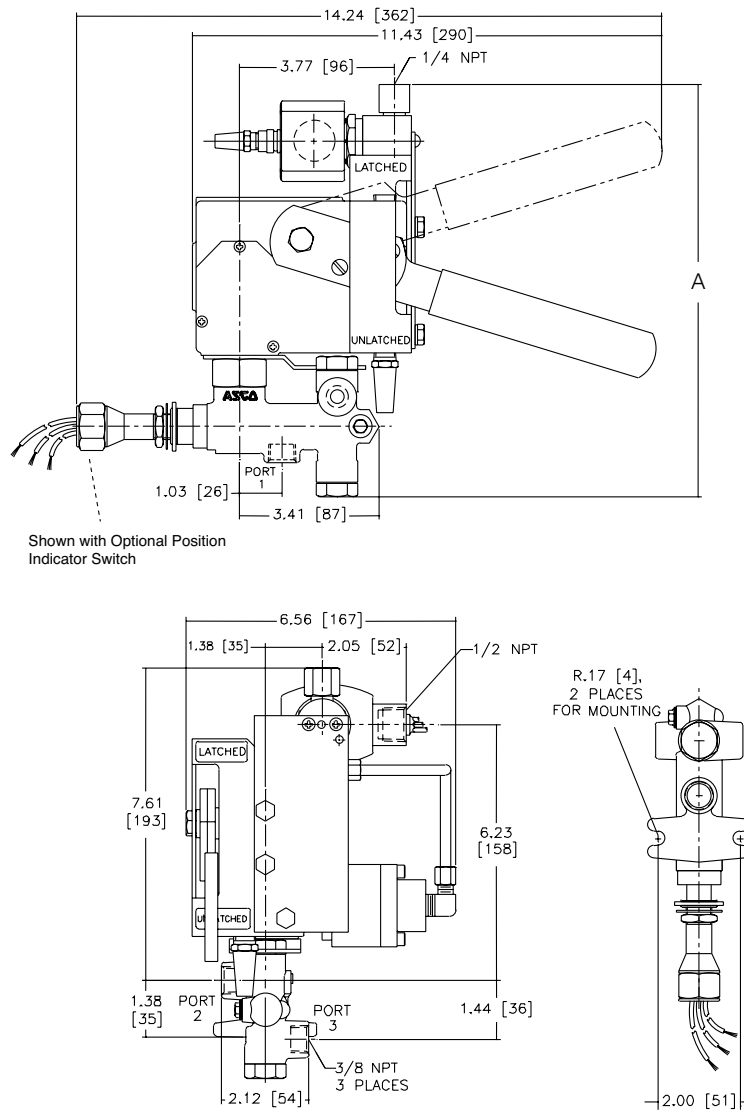
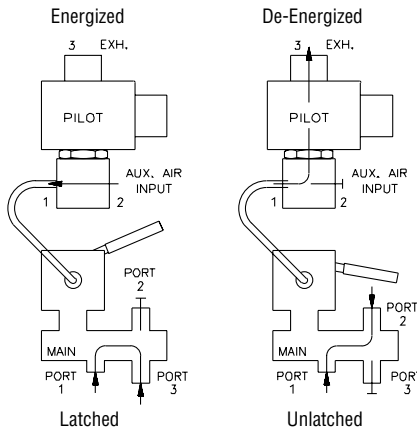
Const. Ref.		A	Body Material
1	in	10.04	Brass
	mm	255	
2	in	11.83	Stainless Steel
	mm	301	

Flow Diagrams

Electrically Tripped



No Voltage Release



IMPORTANT: Mount with manual reset assembly vertical and upright.