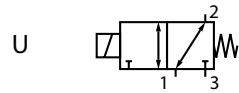


# ASCO™ High-Flow Direct Acting Valves

Balanced Poppet Type | 316 Stainless Steel Bodies | ¼" Porting



**3/2  
Series  
327**

## Features

- High Flow Piloting with no minimum operating pressure required
- Balanced Poppet construction for high flow at minimum power levels
- PTFE rider rings and graphite-filled seals reduce friction and eliminate sticking to provide exceptional service life
- 316L Stainless Steel construction for highly corrosive atmospheres
- NAMUR mount option available
- Product is SIL (Safety Integrity Level) 3 Capable to IEC 61508-1 Exida certified.
- Optional CRN (Canadian Registration Number) and other regional certificates available



Performance Data	
Construction	Standard Construction
Enclosures	Epoxy powder coated Aluminum or 316L Stainless Steel
Flow, Kv (Cv)	0.7 (0.8)
Maximum Operating Pressure Differential, bar (psi)	12 (174)
Fluid Media	Air, Inert Gas, Water, Light oil
Maximum Viscosity mm <sup>2</sup> /s cST	65
Ambient and Fluid Temperature, Standard FKM Seals, °C (°F)	UL, C/US: -20 to 84 (-4 to 183) ATEX: -20 to 90 (-4 to 194)
Ambient and Fluid Temperature, Low-Temperature FVQM Seals, °C (°F)	-60 to 60 (-76 to 140)
Construction	
Body	316L Stainless Steel
Core Tube	316L Stainless Steel
Stem & Insert	316L Stainless Steel
Core & Plugnut	430F Stainless Steel
O-ring Holder	316L Stainless Steel
Springs	17-7 Stainless Steel
Seals & Discs	FKM (standard) or FVMQ (low-temperature construction)
Rider Ring	PTFE Graphite filled
Temporary Connector	Plastic (UDELM P-1700 BK 937)
Electrical	
Voltage	DC: 6, 12, 24, 48, 120, 240 Class H 125, 250 DC Battery Charging AC: 24/50-60, 48/50-60 Class H 120/60, 110/50 Class H 208/50-60 Class H 240/60, 230/50 Class H
Power, Watts	AC: 2.7 DC: 1.9 ≤24v, >24v 2.6 to 3.6
Enclosure Approvals	
Ingress Protection	IP 66 & 68 Type 4X & 6P
Hazardous Location	UL, ULc CLI, Div 1, Gp B, C, D and CLII, Div 1 Gp E, F, G ATEX/IECEX: II 2 G Ex db IIC T5/T6 Gb II 2 D Ex tb IIIC T85°C/ T100°C Db

# ASCO™ High Flow Direct Acting Valves

Balanced Poppet Type | 316 Stainless Steel Bodies | ¼" Porting

**3/2  
Series  
327**

## Recommended Codes

Suggested Codes *	Construction	Body (SS)	Electrical Connection (*Equivalent Temporary Connector Code)	Options	Voltage   Power	Dimensions	
8327C102F392LH9	Standard	Threaded	1/2" NPT, SS, Surge Suppression   <b>*TK</b>	MO/MS	48/DC   2.6W	A	
8327C102F39YTHN				None	125 DC Battery charging   2.7W		
8327C102FN9YTH0					120/60, 110/50   2.7W		
8327C112F59YTH0	Low Temp			1/2" NPT, SS   <b>*TB</b>			120/60, 110/50   2.7W
8327C302F392JH1	Standard			1/2" NPT, SS, Surge Suppression   <b>*TK</b>	MO		24/DC   <2W
8327C302F392KH1			None		MS		
8327C302F39YTH1				None			
8327C302F49YTH1			20mm, SS, Surge Suppression   <b>*TM</b>				
8327C302F89YTH1			1/2" NPT, Al, Surge Suppression   <b>*TJ</b>				
8327C302F29YTH1			20mm, Al, Surge Suppression   <b>*TL</b>				
8327C312F89YTH1			1/2" NPT, Al, Surge Suppression   <b>*TJ</b>				
8327C312F29YTH1			20mm, Al, Surge Suppression   <b>*TL</b>				
8327C305F292JH1	Standard	Namur	20mm, Al, Surge Suppression   <b>*TL</b>	MO	B		
8327C305F39YTH1			1/2" NPT, SS, Surge Suppression   <b>*TK</b>	None			
8327C305F892JH1			1/2" NPT, Al, Surge Suppression   <b>*TJ</b>	MO			

\* For alternative threads replace prefix 8 with G or J

Availability, design and specifications are subject to change without notice.  
© 2023 Emerson Electric Co. All rights reserved.

# ASCO™ High Flow Direct Acting Valves

Balanced Poppet Type | 316 Stainless Steel Bodies | 1/4" Porting

**3/2  
Series  
327**

## How to order

PRODUCT CODE										
	<b>8</b>	<b>327</b>	<b>C</b>	<b>1</b>	<b>0</b>	<b>1</b>	<b>FN</b>	<b>9YT</b>	<b>H1</b>	
<b>Port Type</b>										<b>Voltage</b>
<b>G</b> = ISO G/Rp Body Connection										<b>J7</b> = 6/DC Class H
<b>8</b> = NPT Body Connection										<b>H3</b> = 12/DC Class H
<b>J</b> = ISO Rc Body Connection										<b>H1</b> = 24/DC Class H
<b>Product Series</b>										<b>H9</b> = 48/DC Class H
<b>327</b> = 3 Way - Direct Acting										<b>HD</b> = 120/DC Class H
<b>Revision</b>										<b>J2</b> = 240/DC Class H
<b>C</b> = 3rd Generation										<b>HN</b> = 125 DC Battery charging
<b>Power</b>										<b>HM</b> = 250/DC Battery Charging
<b>1</b> = 2 to 4 Watts										<b>HQ</b> = 24/50-60 Class H
<b>3</b> = < 2 Watts										<b>HS</b> = 48/50-60 Class H
<b>Construction</b>										<b>H0</b> = 120/60, 110/50 Class H
<b>0</b> = Standard Construction Standard Temperature 12 Bar Pressure Max										<b>NL</b> = 208/50-60 Class H
<b>1</b> = Standard Construction Low temperature 12 Bar Pressure Max										<b>LU</b> = 240/60, 230/50 Class H
<b>Body Material</b>										<b>Options (1)</b>
<b>2</b> = Stainless Steel										<b>9YT</b> = No Options
<b>5</b> = Namur Mount Stainless Steel										<b>92J</b> = Manual operation Push (MO)
										<b>92K</b> = Manual operation Screwed (MS)
										<b>92L</b> = Removable Pressurized MO/MS
										<b>Electrical Connection Type</b>
										<b>FN</b> = Aluminum Flameproof Direct Cable Entry 1/2" NPT enclosure
										<b>FS</b> = 316 Stainless Steel Flameproof Direct Cable Entry 1/2" NPT enclosure
										<b>FT</b> = Aluminum Flameproof Direct Cable Entry 20mm enclosure
										<b>FU</b> = 316 Stainless Steel Flameproof Direct Cable Entry 20mm enclosure
										<b>F8</b> = Aluminum Flameproof Direct Cable Entry 1/2" NPT + Surge Suppression enclosure
										<b>F3</b> = 316 Stainless Steel Flameproof Direct Cable Entry 1/2" NPT + Surge Suppression enclosure
										<b>F2</b> = Aluminum Flameproof Direct Cable Entry 20mm + Surge Suppression enclosure
										<b>F4</b> = 316 Stainless Steel Flameproof Direct Cable Entry 20mm + Surge Suppression enclosure
										<b>TA</b> = Aluminum Flameproof Direct Cable Entry 1/2 NPT + Temporary Connector enclosure
										<b>TB</b> = 316 Stainless Steel Flameproof Direct Cable Entry 1/2 NPT + Temporary Connector enclosure
										<b>TC</b> = Aluminum Flameproof Direct Cable Entry 20mm + Temporary Connector enclosure
										<b>TD</b> = 316 Stainless Steel Flameproof Direct Cable Entry 20mm + Temporary Connector enclosure
										<b>TJ</b> = Aluminum Flameproof Direct Cable Entry 1/2 NPT / Surge Suppression + Temporary Connector enclosure
										<b>TK</b> = 316 Stainless Steel Flameproof Direct Cable Entry 1/2 NPT/Surge Suppression + Temporary Connector enclosure
										<b>TL</b> = Aluminum Flameproof Direct Cable Entry 20mm / Surge Suppression + Temporary Connector enclosure
										<b>TM</b> = 316 Stainless Steel Flameproof Direct Cable Entry 20mm/Surge Suppression + Temporary Connector enclosure

(1) Notes: If multiple options are required, please use the online configurator on the website to generate the part number ([www.Emerson.com/ASCO](http://www.Emerson.com/ASCO)), or consult factory

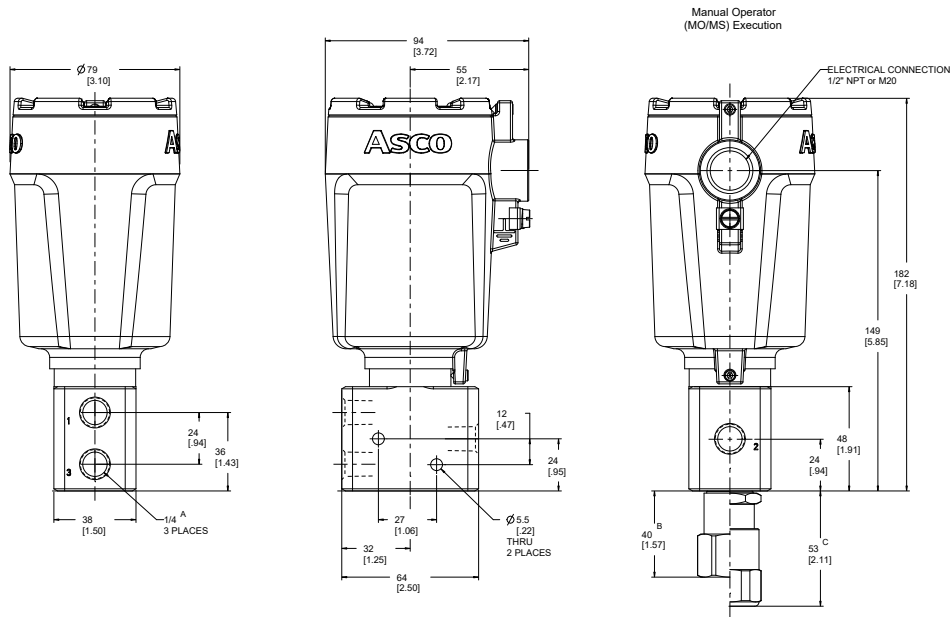
Availability, design and specifications are subject to change without notice. © 2023 Emerson Electric Co. All rights reserved.

# ASCO™ High Flow Direct Acting Valves

Balanced Poppet Type | 316 Stainless Steel Bodies | 1/4" Porting

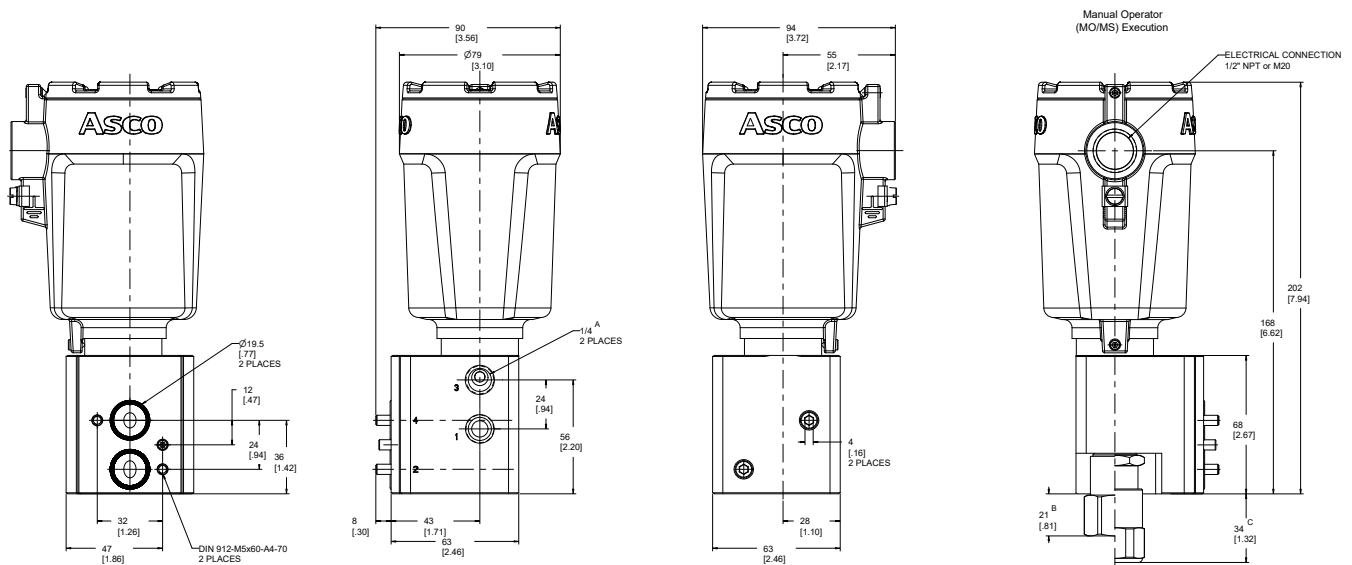
**3/2  
Series  
327**

## Dimensions A: mm (inches) Threaded



- A Port Types: ANPT, ISO 1179-1, RC
- B For Manual Operator Push type
- C For Manual Operator Screw Type

## Dimensions B: mm (inches) Namur



Availability, design and specifications are subject to change without notice.  
© 2023 Emerson Electric Co. All rights reserved.