

AVENTICS™ Mini Spool Valves

3 way / 5 way, Air Operated
M5 or 1/8" or 1/4" Tapped, adaptable on multiple or joinable subbases

3/2-5/2-5/3
Series
519/520/521

General

Operating pressure	0 to 8 bar (1.5 to 8 bar with differential return)
Pilot pressure	1.5 to 8 bar
Ambient temperature range	+5°C to +50°C
Orifice size	519: 2.5 mm; 520: 4 mm; 521: 6 mm
Flow (Qv at 6 bar)	See «SPECIFICATIONS»

fluids (*)	temperature range (TS)	materials (*)
air or inert gas filtered at 50 µm, lubricated or not	+5°C to +50°C	NBR (nitrile)

Materials in contact with fluid

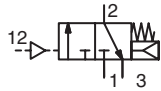
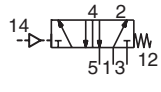
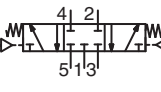
(*) Ensure that the compatibility of the fluids in contact with the materials is verified

Body	Anodised white aluminium
Cover	POM (polyacetal)
Internal parts	Stainless steel, light alloy and POM (polyacetal)
Seals	NBR

(*) Ensure that the compatibility of the fluids in contact with the materials is verified.



Specifications

function symbol	operators		pipe size	orifice size (mm)	flow		Catalog number	
	pilot (14)	return (12)			at 6 bar (l/min) ANR	flow coefficient Kv		
3/2 NC 	air	mechanical & air spring	G 1/8	4	400	5.7	52000376	
5/2 	air	spring	G 1/8	4	400	5.7	52000330	
			air spring	M5	2.5	175	2.5	51900077
				G 1/8	4	600	8.5	52000077
	air	air	G 1/4	6	1050	15	52100077	
			M5	2.5	175	2.5	51900078	
			G 1/8	4	600	8.5	52000078	
G 1/4	6	1050	15	52100078				
5/3 	W1 closed centre position air operated		G 1/8	4	600	8.5	52000079	
			G 1/4	6	1050	15	52100079	
	W2 centre open to pressure air operated		G 1/8	4	600	8.5	52000142	
			G 1/4	6	1050	15	52100142	
	W3 centre open to exhaust air operated		G 1/8	4	600	8.5	52000082	
			G 1/4	6	1050	15	52100082	

00387CB-2021/R01
Availability, design and specifications are subject to change without notice. All rights reserved.

Accessories

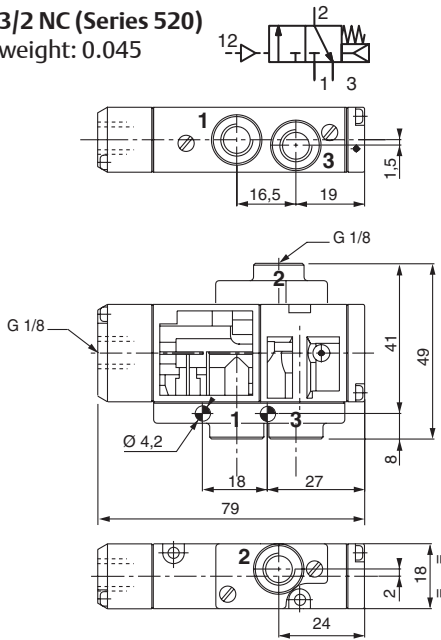
- Flange for ports 2 - 4 with instant fittings for flexible tube 6 mm O.D. (series 520): Catalog number **88135532**
- Series 519/520/521: Adaptable on light alloy multiple subbases (fixing screws and seals are supplied with subbases)
- Series 519: Adaptable on joinable subbases

Installation

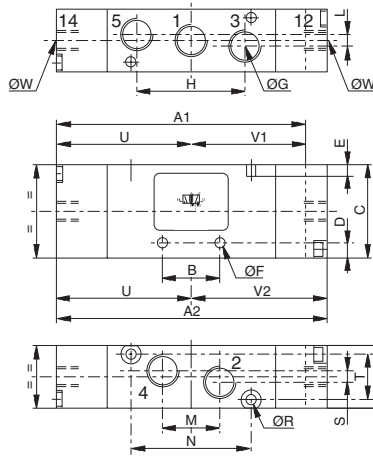
- The air operated valves can be mounted in any position without affecting operation
- Air operated valves have 2 mounting holes in body
- Thread connection "G" applicable for 1/4 have standard thread according to ISO 228/1 and ISO 7/1. Thread connection "G" applicable for 1/8, have standard thread according to ISO 228/1
- Multi language installation/maintenance instructions are included with each spool valve

Dimensions (mm), Weight (kg)

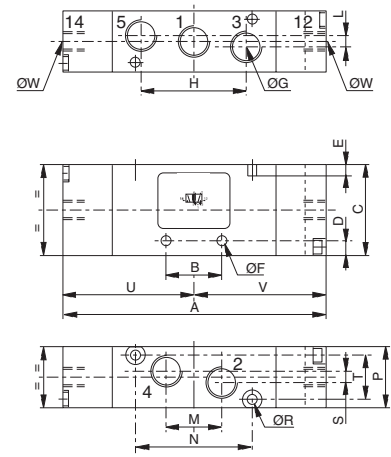
3/2 NC (Series 520)
weight: 0.045



5/2



5/3 W1 - W2 - W3



		A	A1	A2	B	C	D	E	ØF	ØG	H	L	M	N	P	ØR	S	T	U	V	V1	V2	ØW	weight		
5/2		520	-	85.3	-	15	27	6	3.3	G1/8	32.4	3	16.2	35	18	3.2	-	13	42.5	-	42.8	-	G1/8	0.065		
		519	-	55.5	-	11	26	4	3.3	M5	21.6	-	11	19	15	2.7	6	11	30.5	-	25	-	M5	0.050		
		520	-	76	-	15	27	6	3.3	G1/8	32.4	3	16.2	35	18	3.2	-	13	42.5	-	33.5	-	G1/8	0.065		
		521	-	91.5	-	22	31	6.5	4	4.3	G1/4	44	4	22	50	22	4.2	4	16	50	-	41.5	-	G1/8	0.110	
		519	-	-	61	11	26	4	4	3.3	M5	21.6	-	11	19	15	2.7	6	11	30.5	-	25	-	M5	0.050	
		520	-	-	85	15	27	6	3	3.3	G1/8	32.4	3	16.2	35	18	3.2	-	13	42.5	-	42.5	-	G1/8	0.160	
		521	-	-	100	22	31	6.5	4	4.3	G1/4	44	4	22	50	22	4.2	4	16	50	-	50	-	G1/8	0.110	
5/3 W1		520	94	-	-	15	27	6	3.3	G1/8	32.4	3	16.2	35	18	3.2	-	13	42.5	51.5	-	-	-	G1/8	0.075	
		521	109	-	-	22	31	6.5	4	4.3	G1/4	44	4	22	50	22	4.2	4	16	50	59	-	-	-	G1/8	0.120
5/3 W2		520	94	-	-	15	27	6	3.3	G1/8	32.4	3	16.2	35	18	3.2	-	13	42.5	51.5	-	-	-	-	G1/8	0.075
		521	109	-	-	22	31	6.5	4	4.3	G1/4	44	4	22	50	22	4.2	4	16	50	59	-	-	-	G1/8	0.120
5/3 W3		520	94	-	-	15	27	6	3.3	G1/8	32.4	3	16.2	35	18	3.2	-	13	42.5	51.5	-	-	-	-	G1/8	0.075
		521	109	-	-	22	31	6.5	4	4.3	G1/4	44	4	22	50	22	4.2	4	16	50	59	-	-	-	G1/8	0.120

00387GB-2021/R01
Availability, design and specifications are subject to change without notice. All rights reserved.