

# AVENTICS™ Mini Spool Valves

3/2  
Series  
**520**

3 way, Solenoid Air Operated, Plastic Body  
1/8" Tapped or 6 mm O.D. instant fitting, adaptable on multiple subbases

## General

Operating pressure	1.5 to 8 bar
Ambient temperature range	+5°C to +50°C
Orifice size	519: 2.5 mm; 520: 4 mm; 521: 6 mm
Flow (Qv at 6 bar)	400 l/min (ANR) - Kv: 5.7
Response time	15 ms (energized) ; 45 ms (de-energized)

fluids (*)	temperature range (TS)	materials (*)
air or inert gas filtered at 50 µm, lubricated or not	+5°C to +50°C	NBR (nitrile)



## Materials in contact with fluid

(\*) Ensure that the compatibility of the fluids in contact with the materials is verified

Body	POM (polyacetal)
Cover	POM (polyacetal)
Internal parts	POM (polyacetal) and brass
Seals	NBR

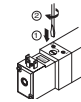


## Electrical characteristics

Coil insulation class	F
Connector	Spade plug (cable Ø 4-6 mm)
Connector specification	EN 175301-803, industry standard form C (9.4 mm)
Electrical safety	IEC 335
Electrical enclosure protection	Moulded IP65 (EN 60529)
Standard voltages	DC (=) : 24V
(Other voltages and frequencies on request)	AC (~) : 24V/50-60 Hz - 115V/50-60 Hz 230V/50-60 Hz

operator ambient temperature range (TS)	power ratings		replacement coil		Type
	holding ~	hot/cold =	~	=	
°C (°F)	(VA)	(W)	(W)	-	-
+5 to +50	2	1.5	1.6	-	-

(\*) Ensure that the compatibility of the fluids in contact with the materials is verified.



## Specifications

function symbol	operators		connection		voltages	Catalog number with manual operator (maintained/impulse)			
	pilot	return	port 2	ports 1-3					
3/2 NC 	solenoid air	mechanical & air spring	instant fitting 6 mm O.D.	instant fitting 6 mm O.D.	24V ~	52000214			
					115V ~	52000215			
					230V ~	52000216			
					24V =	52000213			
					24V ~	52000210			
					115V ~	52000211			
			230V ~	52000212					
			24V =	52000209					
			G 1/8" tapped	G 1/8" tapped	subbase mounted	G 1/8" tapped	subbase mounted	24V ~	52000194
								115V ~	52000195
								230V ~	52000196
								24V =	52000193
24V ~	52000190								
115V ~	52000191								
230V ~	52000192								
24V =	52000189								

00438CB-2021/R01 Availability, design and specifications are subject to change without notice. All rights reserved.

### Accessories

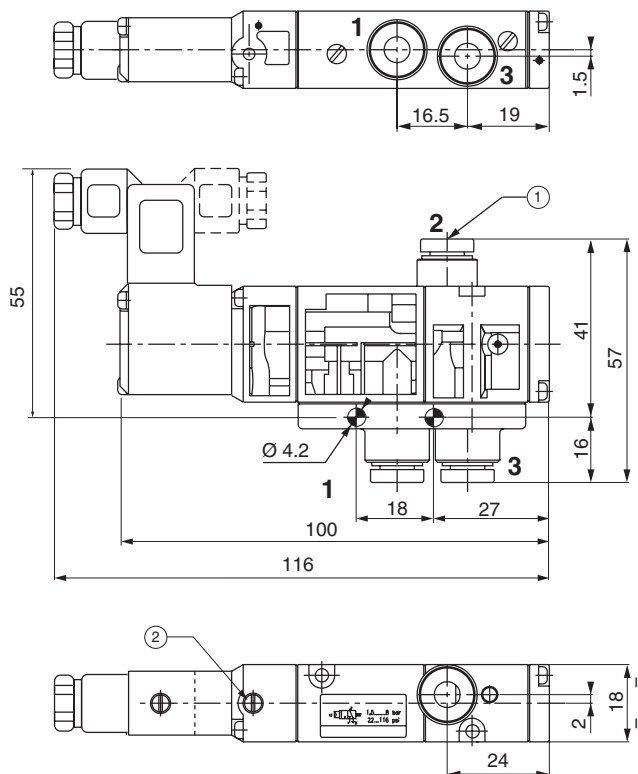
- Visual indicator (LED) and electrical protection: 24 V DC/AC, Catalog number **88130401**; 115 V AC, Catalog number **88130402**; 230 V AC, Catalog number **88130403**
- Non rotatable connector with cable, 2 m length:
  - without LED indicator, Catalog number **88143567**
  - with integrated LED indicator and electrical protection, Catalog number **88143580**
- Flange for ports 2 - 4 with instant fittings for flexible tube 6 mm O.D. (series 520): Catalog number **88135532**
- Adaptable on light alloy multiple subbases (fixing screws and seals are supplied with subbases)

### Installation

- The spool valves can be mounted in any position without affecting operation
- Spool valves have 2 mounting holes in body
- Thread connection “G” applicable for 1/8, have standard thread according to ISO 228/1
- Multi language installation/maintenance instructions are included with each spool valve

### Dimensions (mm), Weight (kg)

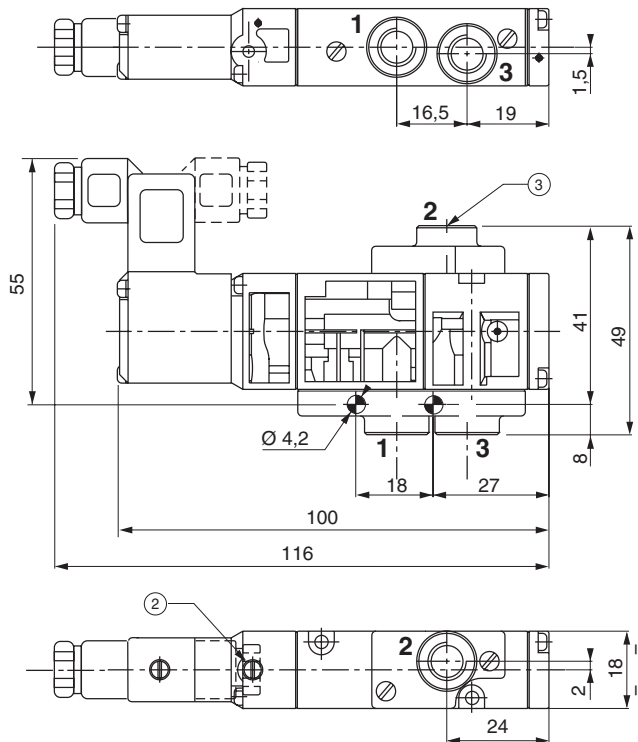
Connection with instant fitting  
weight: 0.102



- ① 3 instant fittings 6 mm O.D. tube
- ② Manual operator location

## Dimensions (mm), Weight (kg)

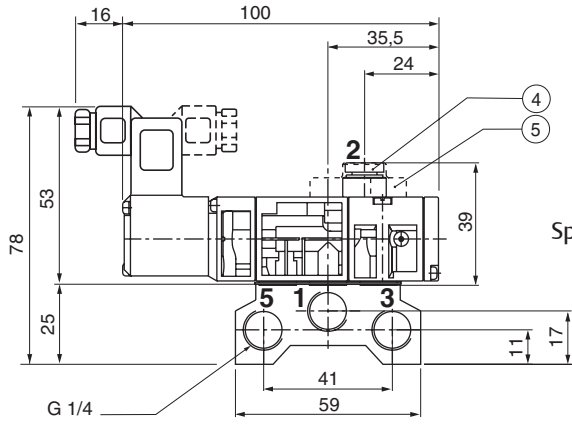
G 1/8 tapped  
weight: 0.094



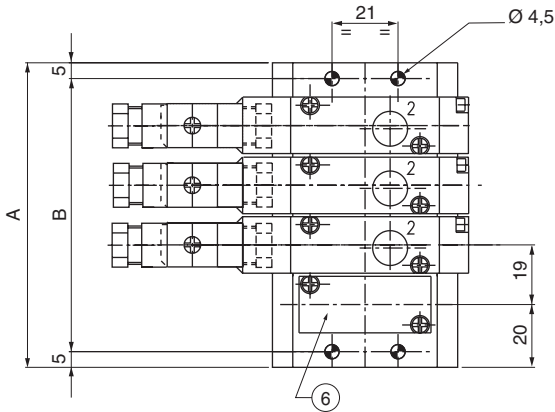
- ② Manual operator location
- ③ 3 ports, G 1/8 tapped

**Dimensions (mm), Weight (kg)**

**Gang-mounting rail version (multiple subbases)**  
weight: 0.086



Spool valves: Ports 1-3-5 with smooth holes.



- ④ With instant fitting connection
- ⑤ Tapped connection
- ⑥ Blanking plate for base

number of spool valves	A	B	weight <sup>(1)</sup>
2	59	49	0.145
3	78	68	0.195
4	97	87	0.240
5	116	106	0.290
6	135	125	0.340
7	154	144	0.385
8	173	163	0.435
9	192	182	0.485
10	211	201	0.530

<sup>(1)</sup> Subbases only.