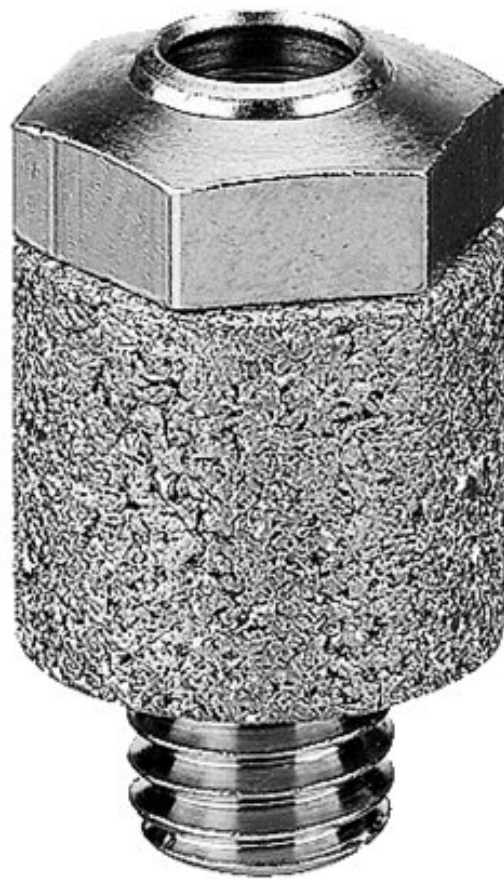


Series CH02



AVENTICS™ Series CH02

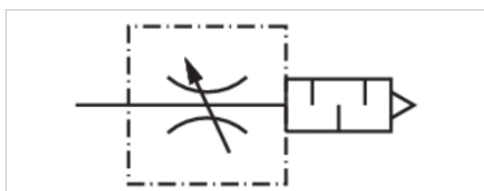


Throttle valve, Series CH02

- $Q_n = 200-4100$ l/min
- Throttle valve with silencer
- External thread



Working pressure min./max.	0 ... 10 bar
Ambient temperature min./max.	-25 ... 80 °C
Medium temperature min./max.	-25 ... 80 °C
Medium	Compressed air
Weight	See table below



Technical data

Part No.	Port 1	Flow	Tightening torque for silencer	Weight
		Q_n	max.	
0821201101	M5	200 l/min	1 Nm	0.005 kg
0821201102	G 1/8	700 l/min	3 Nm	0.025 kg
0821201103	G 1/4	1700 l/min	8 Nm	0.045 kg
0821201104	G 3/8	3100 l/min	13 Nm	0.08 kg
0821201105	G 1/2	4100 l/min	16 Nm	0.135 kg

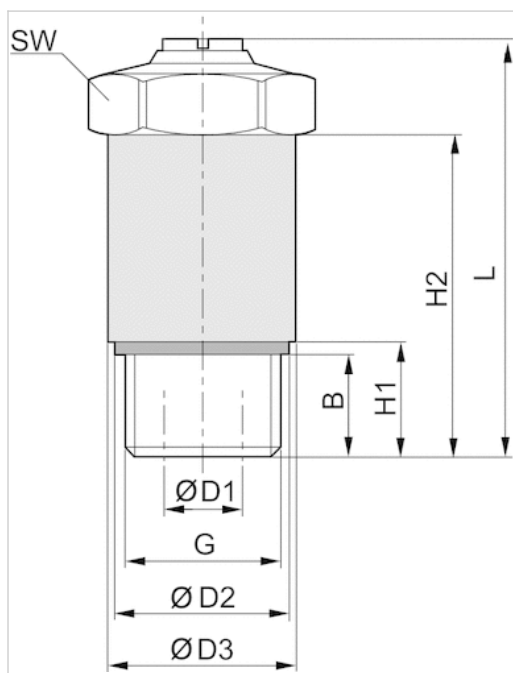
Nominal flow Q_n at 6 bar and $\Delta p = 1$ bar

Technical information

Material	
Housing	Brass, galvanized
Seals	Acrylonitrile butadiene rubber
Silencer	Stainless steel

Dimensions

Dimensions



Dimensions

Part No.	Port G	Ø D1	Ø D2	Ø D3	H1	H2	B	L 1)	SW
0821201101	M5	2	7.7	9	3.8	12	12	16.6	8
0821201102	G 1/8	4	13	16	7	24	5.5	31.5	13
0821201103	G 1/4	6.5	17.9	20	10	30	8	37.5	17
0821201104	G 3/8	8.5	21.8	25	10	35	8	45	19
0821201105	G 1/2	12	26.5	30	12	42	10	52	24

1) Max.

Throttle valve, Series CH02

- Qn = 475-3000 l/min
- screw-in throttle
- External thread



Working pressure min./max.	0 ... 16 bar
Ambient temperature min./max.	0 ... 100 °C
Medium temperature min./max.	0 ... 100 °C
Medium	Compressed air
Weight	See table below



Technical data

Part No.	Port 1	Flow	Weight
		Qn	
0821201001	G 1/8	475 l/min	0.035 kg
0821201002	G 1/4	750 l/min	0.045 kg
0821201003	G 1/2	3000 l/min	0.17 kg

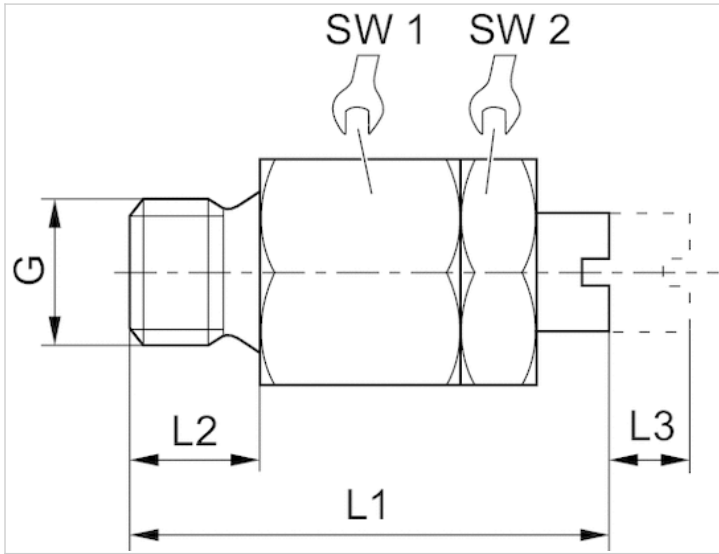
Nominal flow Qn at 6 bar and $\Delta p = 1$ bar

Technical information

Material	
Housing	Brass, galvanized

Dimensions

Dimensions



Dimensions

Part No.	Port G	L1	L2	L3	SW1	SW2
0821201001	G 1/8	34	8	5	13	13
0821201002	G 1/4	33	8	6.5	17	14
0821201003	G 1/2	50	10	8	27	22

Throttle valve, Series CH02

- Qn = 1300 l/min

- Throttle valve with silencer



Working pressure min./max.

0 ... 10 bar

Ambient temperature min./max.

-25 ... 60 °C

Weight

0.06 kg

Technical data

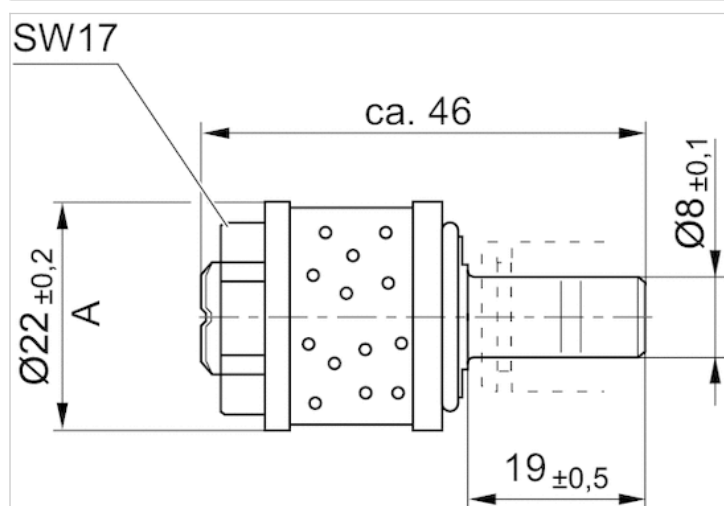
Part No.	Port 1	Flow
		Qn
3341052010	Ø 8	1300 l/min

Technical information

Material	
Housing	Brass, galvanized
Seals	Acrylonitrile butadiene rubber
Silencer	Polyethylene

Dimensions

Dimensions



Efficient pneumatic solutions, our program: cylinders and drives, valves and valve systems, air supply management



Visit us: [Emerson.com/Aventics](https://www.emerson.com/aventics)

Your local contact: [Emerson.com/contactus](https://www.emerson.com/contactus)



Emerson.com



[Facebook.com/EmersonAutomationSolutions](https://www.facebook.com/EmersonAutomationSolutions)



[LinkedIn.com/company/Emerson-Automation-Solutions](https://www.linkedin.com/company/Emerson-Automation-Solutions)



[Twitter.com/EMR_Automation](https://twitter.com/EMR_Automation)

An example configuration is depicted on the title page. The delivered product may thus vary from that in the illustration. Subject to change. This Document, as well as the data, specifications and other information set forth in it, are the exclusive property of AVENTICS GmbH. It may not be reproduced or given to third parties without its consent. Only use the AVENTICS products shown in industrial applications. Read the product documentation completely and carefully before using the product. Observe the applicable regulations and laws of the respective country. When integrating the product into applications, note the system manufacturer's specifications for safe use of the product. The data specified only serve to describe the product. No statements concerning a certain condition or suitability for a certain application can be derived from our information. The information given does not release the user from the obligation of own judgment and verification. It must be remembered that the products are subject to a natural process of wear and aging.

The Emerson logo is a trademark and service mark of Emerson Electric Co. Brand logotype are registered trademarks of one of the Emerson family of companies. All other marks are the property of their respective owners. © 2017 Emerson Electric Co. All rights reserved.
2019-03



CONSIDER IT SOLVED™