

Series CMS



AVENTICS™ Series CMS


EMERSON

Optional fieldbus connection with I/O function (CMS), B-design

- B-design
- Bus coupler with driver
- Fieldbus protocol PROFIBUS DP CANopen DeviceNet EtherNET/IP PROFINET IO



Version	Bus coupler with driver
Ambient temperature min./max.	0 ... 50 °C
Operational voltage electronics	24 V DC
Electronics voltage tolerance	-15% / +20%
Operating voltage, actuators	24 V DC
Protection class	IP65
I/O module extension max.	6
Weight	See table below

The delivered product may vary from that in the illustration.

Technical data

Part No.	Fieldbus protocol	Port
		1
R412003484	PROFIBUS DP	Plug (male), M12, 5-pin, B-coded
R412008516	PROFIBUS DP	Plug (male), M12, 5-pin, B-coded
R412005747	CANopen	Plug (male), M12, 5-pin, A-coded
R412008518	CANopen	Plug (male), M12, 5-pin, A-coded
R412004346	DeviceNet	Plug (male), M12, 5-pin, A-coded
R412008517	DeviceNet	Plug (male), M12, 5-pin, A-coded
R412012755	EtherNET/IP	-
R412014581	PROFINET IO	Socket (female), M12x1, 4-pin, D-coded
R412014583	PROFINET IO	Socket (female), M12x1, 4-pin, D-coded

Part No.	Port	power supply
	2	
R412003484	Socket (female), M12, 5-pin, B-coded	Plug (male), M12, 4-pin, A-coded
R412008516	Socket (female), M12, 5-pin, B-coded	Plug (male), M12, 4-pin, A-coded
R412005747	Socket (female), M12, 5-pin, A-coded	Plug (male), M12, 4-pin, A-coded
R412008518	Socket (female), M12, 5-pin, A-coded	Plug (male), M12, 4-pin, A-coded
R412004346	Socket (female), M12, 5-pin, A-coded	Plug (male), M12, 4-pin, A-coded
R412008517	Socket (female), M12, 5-pin, A-coded	Plug (male), M12, 4-pin, A-coded
R412012755	Socket (female), M12, 5-pin, D-coded	Plug (male), M12, 4-pin, A-coded
R412014581	Socket (female), M12x1, 4-pin, D-coded	Plug (male), M12x1, 4-pin, A-coded
R412014583	Socket (female), M12x1, 4-pin, D-coded	Plug (male), 7/8"-16UNF, 5-pin

Part No.	Number of outputs for valve coils	Port
		Valve system
R412003484	24	Socket, 2.0 mm strip, 2x13-pin
R412008516	32	Socket, 2.0 mm strip, 3x13-pin

Part No.	Number of outputs for valve coils	Port
		Valve system
R412005747	24	Socket, 2.0 mm strip, 2x13-pin
R412008518	32	Socket, 2.0 mm strip, 3x13-pin
R412004346	24	Socket, 2.0 mm strip, 2x13-pin
R412008517	32	Socket, 2.0 mm strip, 3x13-pin
R412012755	32	Socket, 2.0 mm strip, 3x13-pin
R412014581	32	-
R412014583	32	-

Part No.	Power consumption electronics	Max. power consumption per coil	Weight	Fig.	
R412003484	0.12 A	0.063 mA	0.84 kg	Fig. 1	1)
R412008516	0.12 A	0.063 mA	0.84 kg	Fig. 1	1)
R412005747	0.12 A	0.063 mA	1 kg	Fig. 1	1)
R412008518	0.12 A	0.063 mA	1 kg	Fig. 1	1)
R412004346	0.12 A	0.063 mA	1 kg	Fig. 1	1)
R412008517	0.12 A	0.063 mA	1 kg	Fig. 1	1)
R412012755	0.12 A	0.063 mA	1 kg	Fig. 2	2)
R412014581	0.1 A	0.1 mA	0.91 kg	Fig. 1	1)
R412014583	0.1 A	0.1 mA	0.91 kg	Fig. 3	1)

Scope of delivery incl. 2 tie rod extensions and seal, The following operating instructions can be found in the Media Center for:↔PROFIBUS DP: R499050016↔CANopen: R412005742↔DeviceNet: R499050019↔EtherNET/IP: R412012728

1) Connection with two valve voltage circuits.

2) Connection with two valve voltage circuits., Only star topology

Technical information

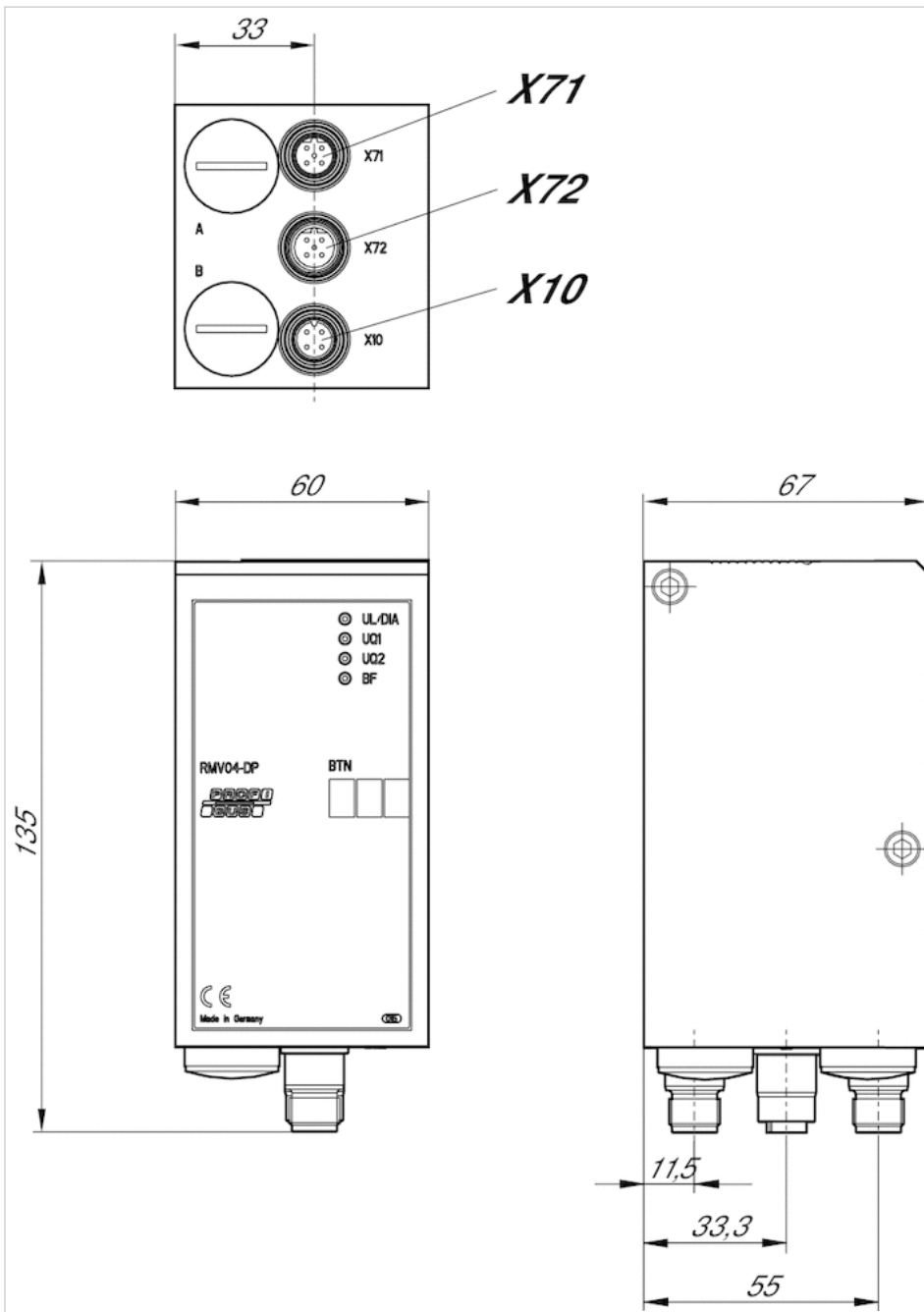
Caution: A reduced temperature range in accordance with the operating instructions may need to be considered in ATEX applications. You will find assignment schemes for the product in the operating instructions, or contact the nearest AVENTICS sales office.

Technical information

Material	
Housing	Die-cast aluminum

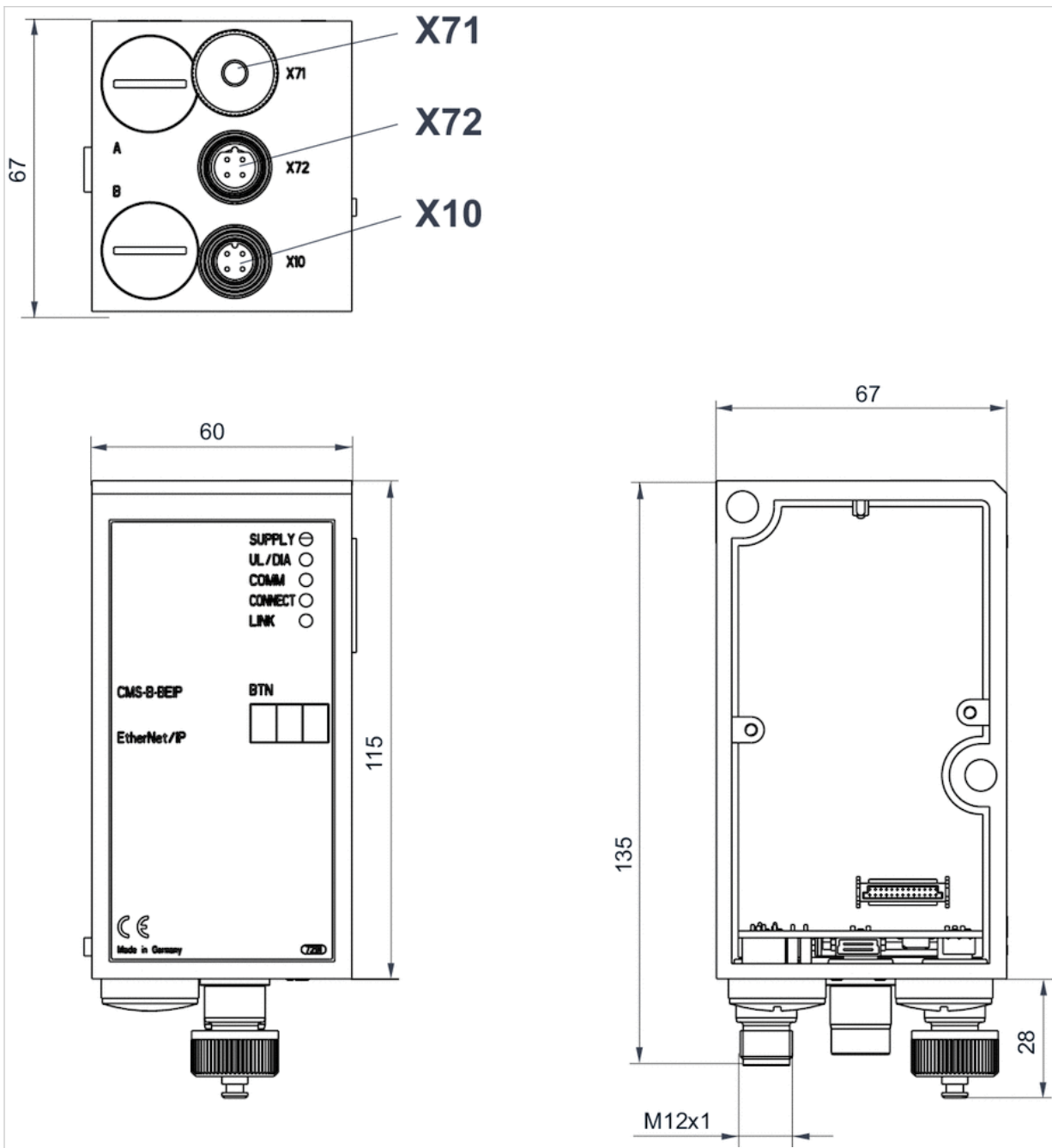
Dimensions

Fig. 1



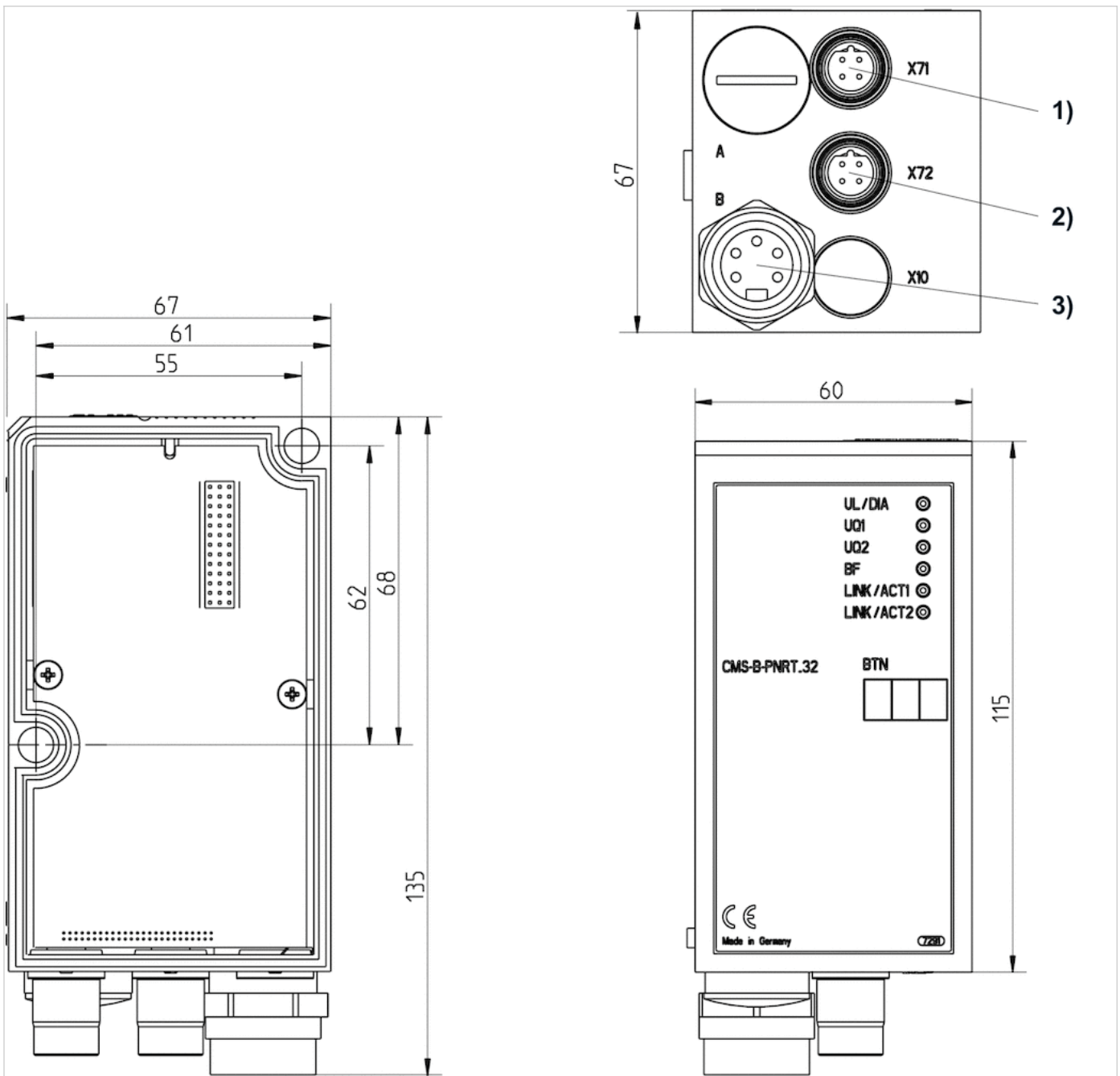
- X71, (Bus IN), M12x1
- X72, (Bus OUT), M12x1
- X10, (Power), M12x1

Fig. 2



X71 = optional interface
 X72 = Bus
 X10 = Power

Fig. 3



1) Bus IN 2) Bus OUT 3) Power supply

Series CMS

- M8x1, M12x1
- B-design
- I/O module, active



Version	I/O module, active
Ambient temperature min./max.	0 ... 50 °C
Operational voltage electronics	24 V DC
Protection class	IP65
Weight	0.47 kg
	The delivered product may vary from that in the illustration.

Technical data

Part No.	I/O module version	I/O connection	I/O connection	Fig.
			Number	
R412003489	Digital inputs	Socket (female), M8, 3-pin	8	Fig. 1
R412000871	Digital inputs	Socket (female), M12, 5-pin, A-coded	4	Fig. 2

Scope of delivery incl. 2 tie rod extensions and seal, Manual: PROFIBUS DP - R499050016, DeviceNet - R499050019, Interbus - R412005743, CANopen - R412005742

Technical information

Max. 6 input or 6 output modules may be used.
 You will find assignment schemes for the product in the operating instructions, or contact the nearest AVENTICS sales office.

Technical information

Material	
Housing	Die-cast aluminum

Dimensions

Fig. 1

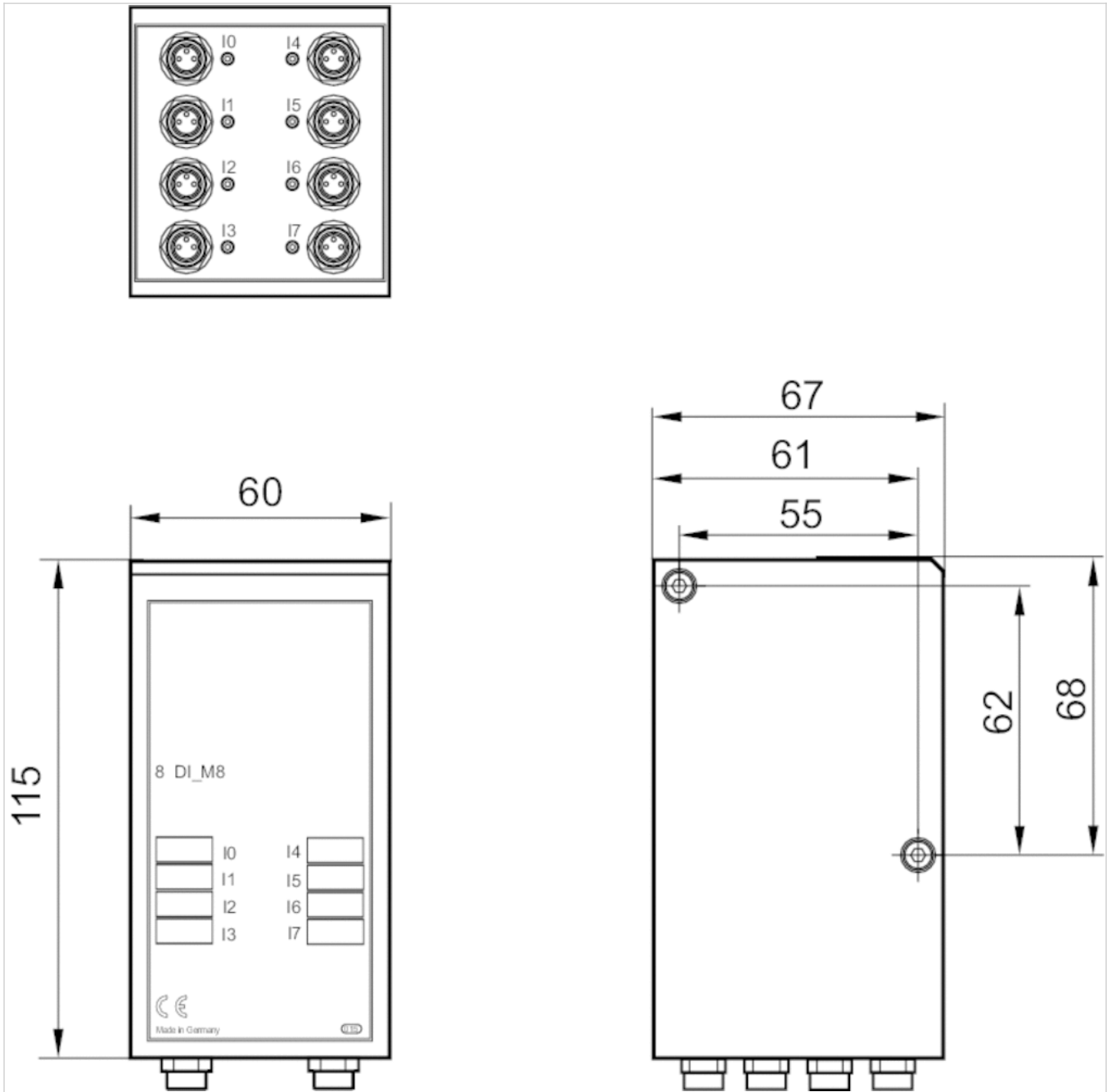
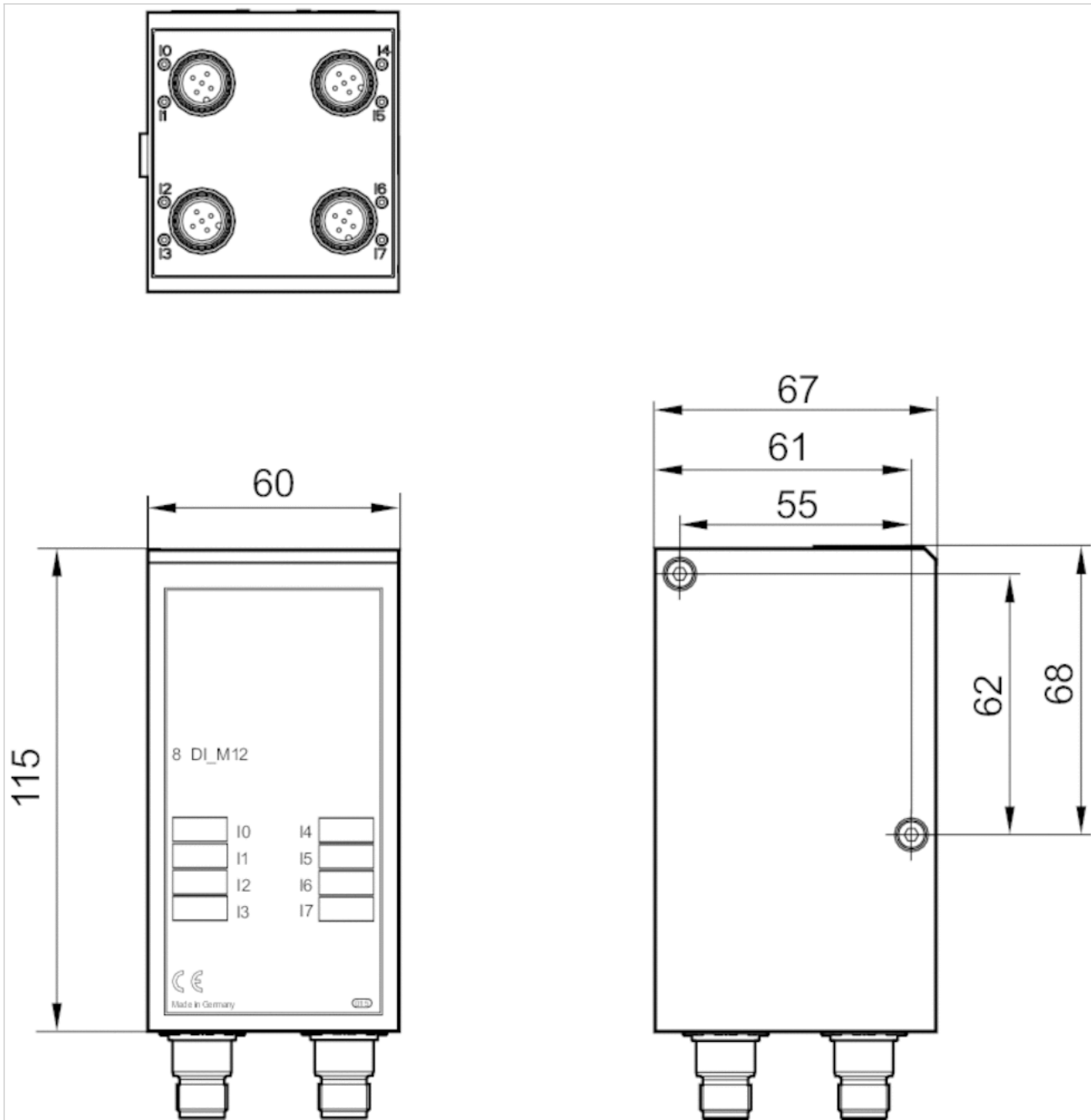


Fig. 2



End plate left

- For CMS bus coupler, B-design, For DDL driver with I/O function, For link structure AS-i, B-design with I/O function



Weight

0.141 kg

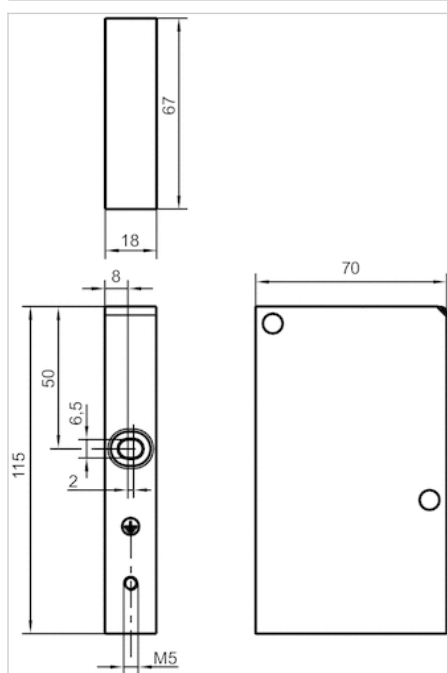
Technical data

Part No.	Type
R412003490	End plate left

Includes screws and seals.

Dimensions

Dimensions



Round plug connector, Series CON-RD

- Plug M8x1 3-pin A-coded angled 90°
- open cable ends
- with cable
- suitable for dynamic laying
- unshielded



Ambient temperature min./max.	-25 ... 80 °C
Operational voltage	48 V AC/DC
Protection class	IP68
Wire cross-section	0.25 mm ²
Weight	See table below



Technical data

Part No.	Max. current	Number of wires	Bending radius min.	Cable-Ø	Cable length	Weight
R412021678	4 A	3	41 mm	4.1 mm	2 m	0.06 kg
R412021679	4 A	3	41 mm	4.1 mm	5 m	0.121 kg
R412021680	4 A	3	41 mm	4.1 mm	10 m	0.224 kg

suitable for dynamic laying

Technical information

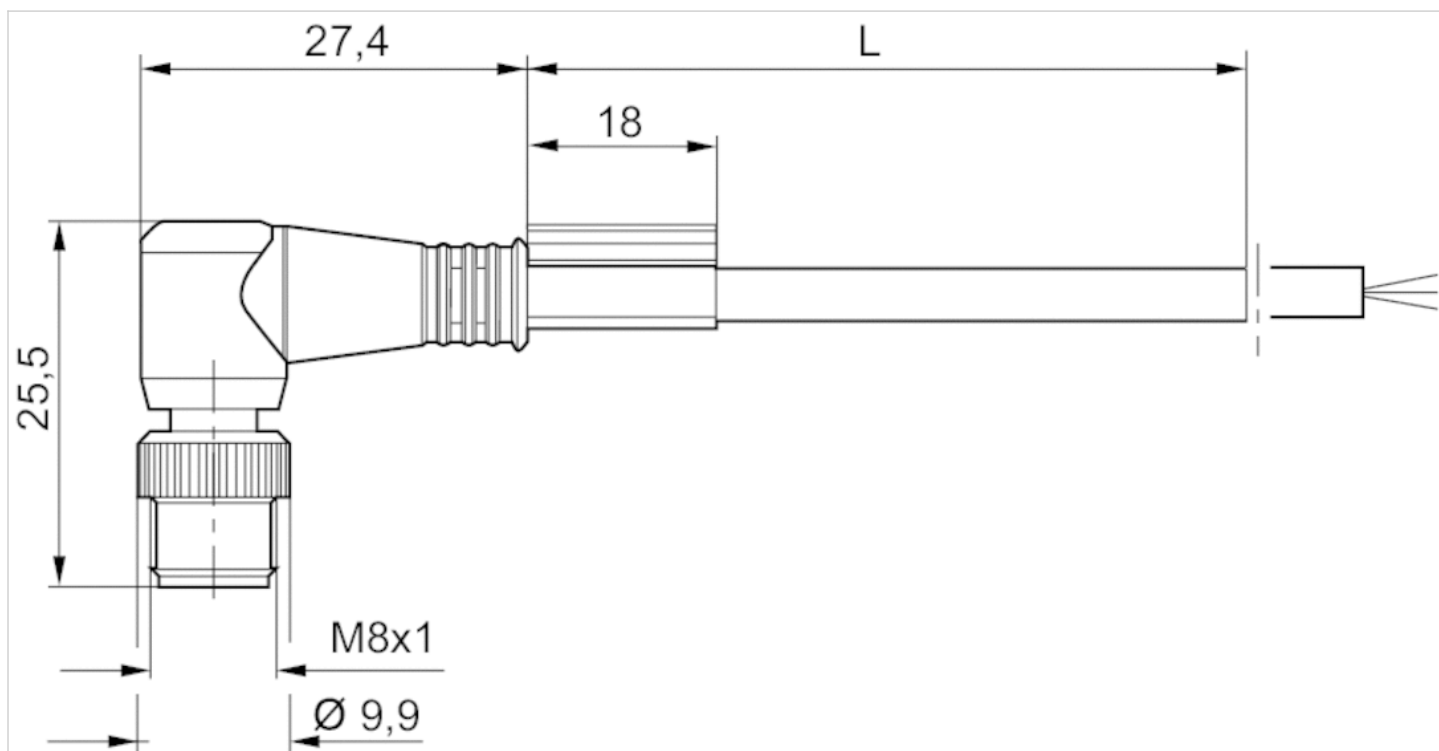
The specified protection class is only valid in assembled and tested state.

Technical information

Material	
Housing	Polyurethane
Cable sheath	Polyurethane

Dimensions

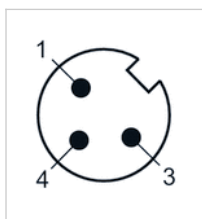
Dimensions



L = length

Pin assignments

Plug pin assignment



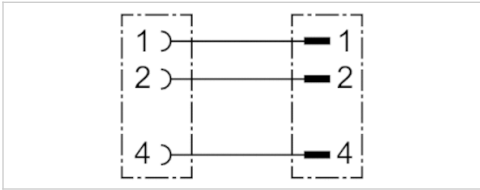
- (1) BN=brown
- (3) BU=blue
- (4) BK=black

Round plug connector, Series CON-RD

- Socket M8x1 3-pin A-coded straight 180°
- Plug M8x1 3-pin A-coded angled 90°
- with cable
- suitable for dynamic laying
- unshielded



Ambient temperature min./max.	-25 ... 80 °C
Operational voltage	48 V AC/DC
Protection class	IP68
Wire cross-section	0.25 mm ²
Weight	See table below



Technical data

Part No.	Max. current	Number of wires	Bending radius min.	Cable-Ø	Cable length	Weight
R412021681	4 A	3	41 mm	4.1 mm	1 m	0.045 kg
R412021682	4 A	3	41 mm	4.1 mm	2 m	0.064 kg
R412021683	4 A	3	41 mm	4.1 mm	5 m	0.131 kg

suitable for dynamic laying

Technical information

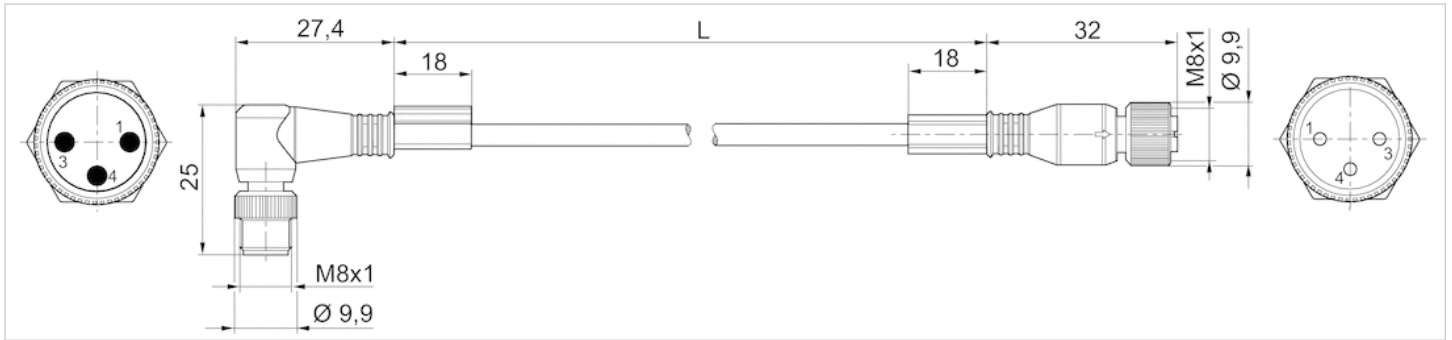
The specified protection class is only valid in assembled and tested state.

Technical information

Material	
Housing	Polyurethane
Cable sheath	Polyurethane

Dimensions

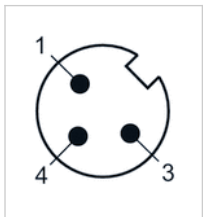
Dimensions



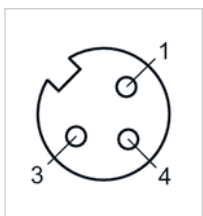
L = length

Pin assignments

Plug pin assignment



Pin assignment, socket



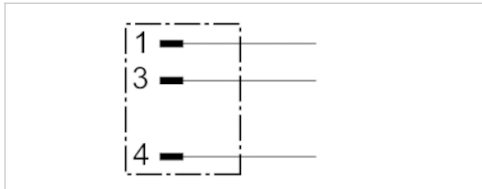
Round plug connector, Series CON-RD

- Plug, M8x1, 3-pin, A-coded, angled, 90°
- unshielded



Connection type	Screws
Ambient temperature min./max.	-25 ... 85 °C
Operational voltage	48 V AC/DC
Protection class	IP67
Weight	0.01 kg

The delivered product may vary from that in the illustration.



Technical data

Part No.	Max. current	Contact assignment	suitable cable-Ø min./max
R412021677	4 A	3	3.5 / 6 mm

Technical information

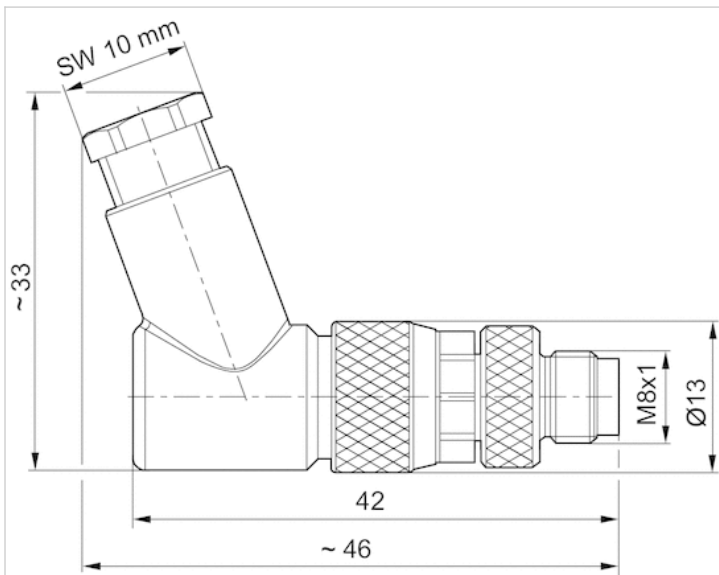
The specified protection class is only valid in assembled and tested state.

Technical information

Material	
Housing	Polyamide

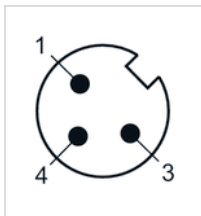
Dimensions

Dimensions



Pin assignments

Plug pin assignment

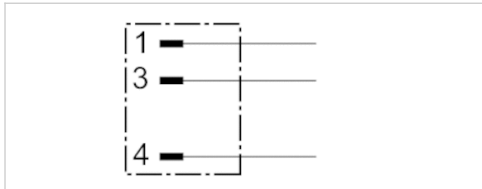


Round plug connector, Series CON-RD

- Plug, M8x1, 3-pin, A-coded, straight, 180°
- unshielded



Connection type	Screws
Ambient temperature min./max.	-40 ... 85 °C
Operational voltage	48 V AC/DC
Protection class	IP67
Weight	0.01 kg



Technical data

Part No.	Max. current	Contact assignment	suitable cable-Ø min./max
R412021676	4 A	3	3.5 / 5 mm

Technical information

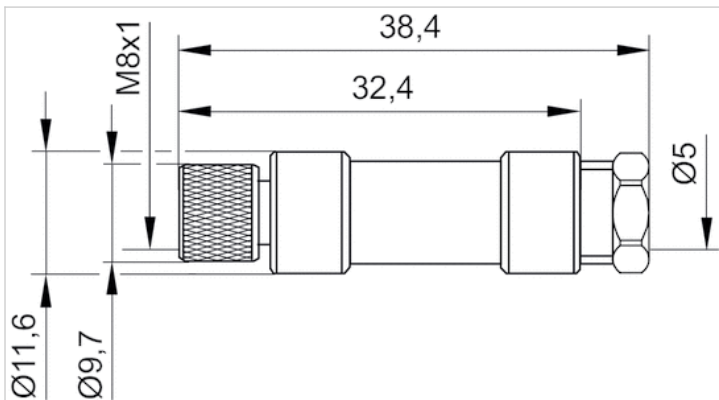
The specified protection class is only valid in assembled and tested state.

Technical information

Material	
Housing	Polyamide

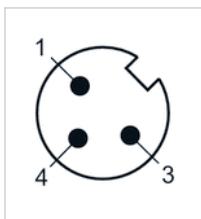
Dimensions

Dimensions



Pin assignments

Plug pin assignment

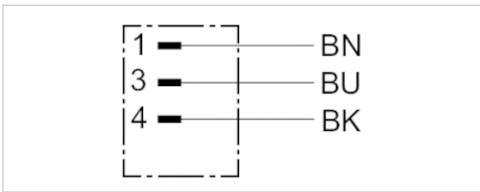


Round plug connector, Series CON-RD

- Plug M8x1 3-pin A-coded straight 180°
- open cable ends
- with cable
- unshielded



Ambient temperature min./max.	-25 ... 80 °C
Operational voltage	30 V AC/DC
Protection class	IP67
Wire cross-section	0.25 mm ²
Weight	See table below



Technical data

Part No.	Max. current	Number of wires	Cable-Ø	Cable length	Weight
8946203602	3 A	3	4.5 mm	3 m	0.06 kg
8946203612	3 A	3	4.5 mm	5 m	0.143 kg
8946203622	3 A	3	4.5 mm	10 m	0.281 kg

Technical information

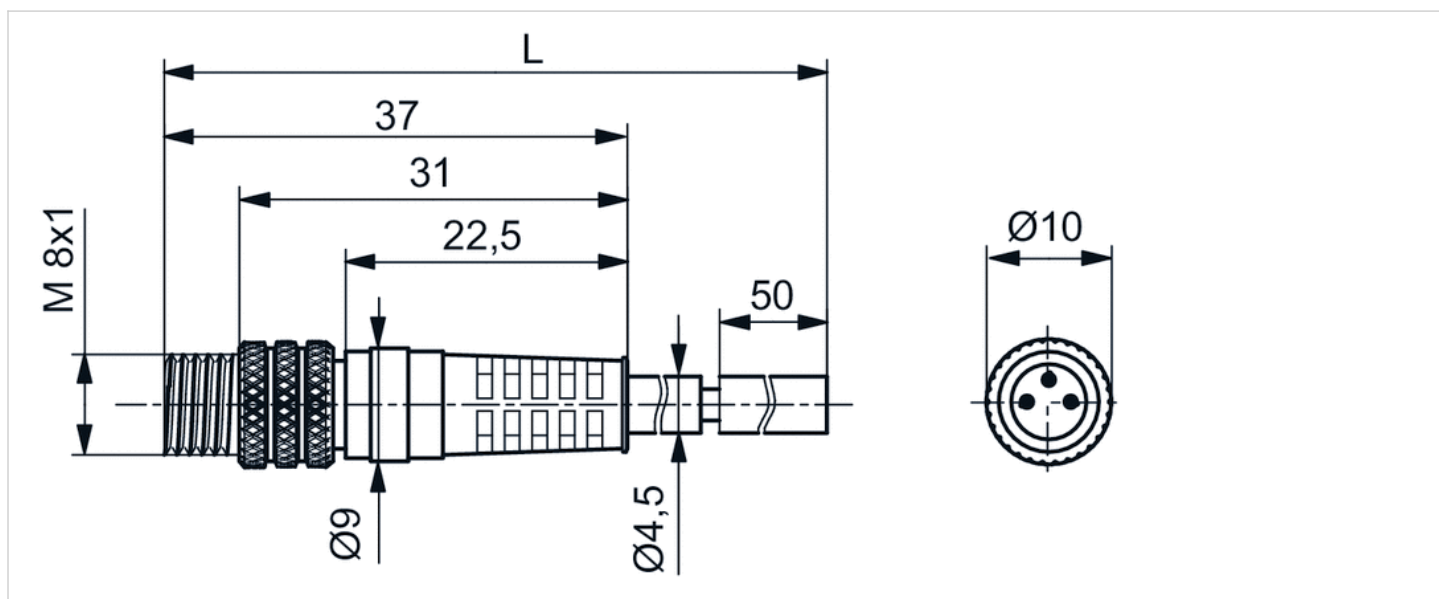
The specified protection class is only valid in assembled and tested state.

Technical information

Material	
Housing	Polyurethane
Cable sheath	Polyvinyl chloride

Dimensions

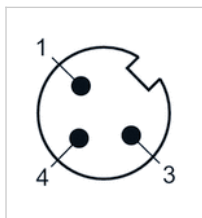
Dimensions



L = length

Pin assignments

Plug pin assignment



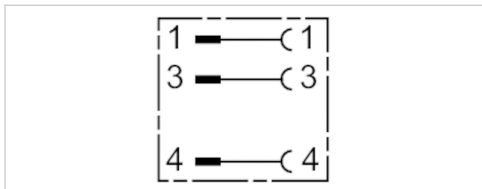
- (1) BN=brown
- (3) BU=blue
- (4) BK=black

Adapter, Series CON-AP

- Socket, M12x1, 3-pin, A-coded, straight, 180°
- Plug, M8x1, 3-pin, A-coded, straight, 180°
- unshielded



Ambient temperature min./max.	-25 ... 85 °C
Operational voltage	48 V AC/DC
Protection class	IP67
Weight	0.013 kg



Technical data

Part No.	Max. current	Contact assignment
R412021684	4 A	3

Technical information

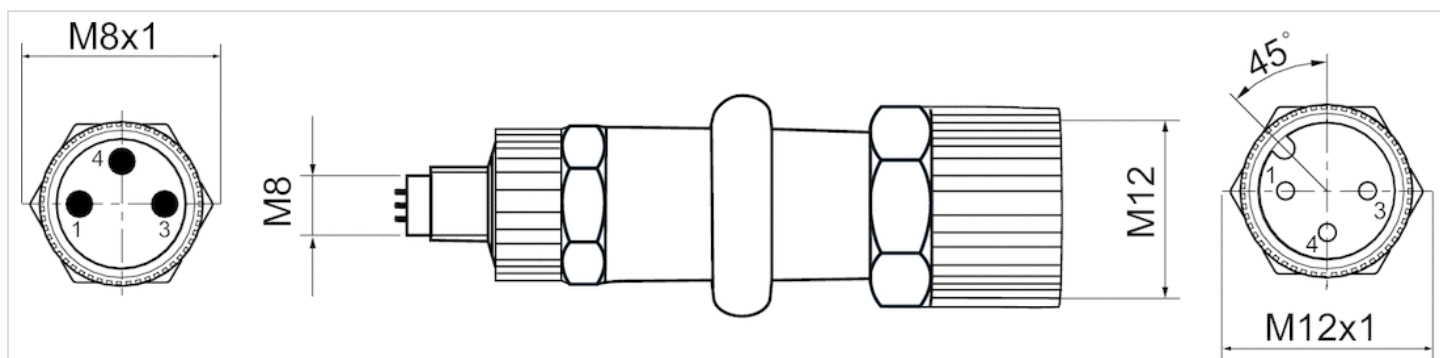
The specified protection class is only valid in assembled and tested state.

Technical information

Material	
Housing	Polyurethane

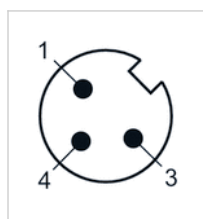
Dimensions

Dimensions

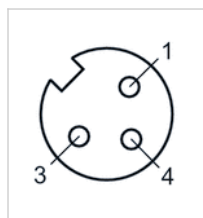


Pin assignments

Plug pin assignment



Pin assignment, socket



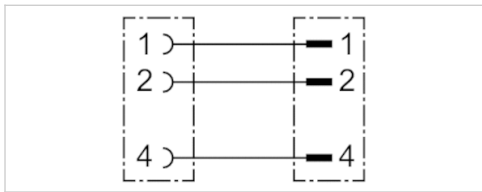
Round plug connector, Series CON-RD

- Socket M8x1 3-pin A-coded straight 180°
- Plug A-coded straight 180°
- with cable
- unshielded



Protection class
Weight

IP68
See table below



Technical data

Part No.	Number of wires	Cable-Ø	Cable length	Weight
8946203702	3	4.5 mm	1 m	0.038 kg
8946203712	3	4.5 mm	2 m	0.067 kg
8946203722	3	4.5 mm	5 m	0.148 kg

Technical information

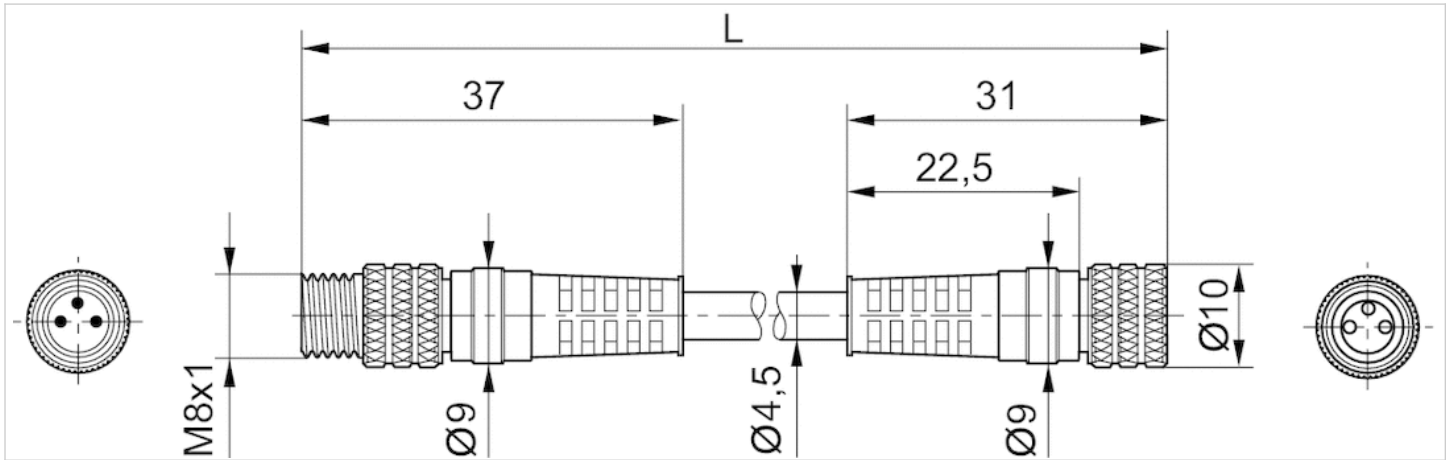
The specified protection class is only valid in assembled and tested state.

Technical information

Material	
Cable sheath	Polyvinyl chloride

Dimensions

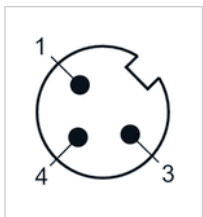
Dimensions



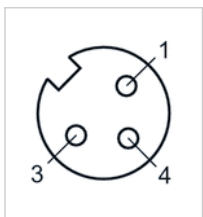
L = length

Pin assignments

Plug pin assignment



Pin assignment, socket



Data final plug, Series CON-RD

- Plug, M12x1, 4-pin, B-coded, straight, 180°
- for PROFIBUS DP



Ambient temperature min./max.	-25 ... 80 °C
Protection class	IP67
Weight	0.013 kg



Technical data

Part No.
8941054064

Technical information

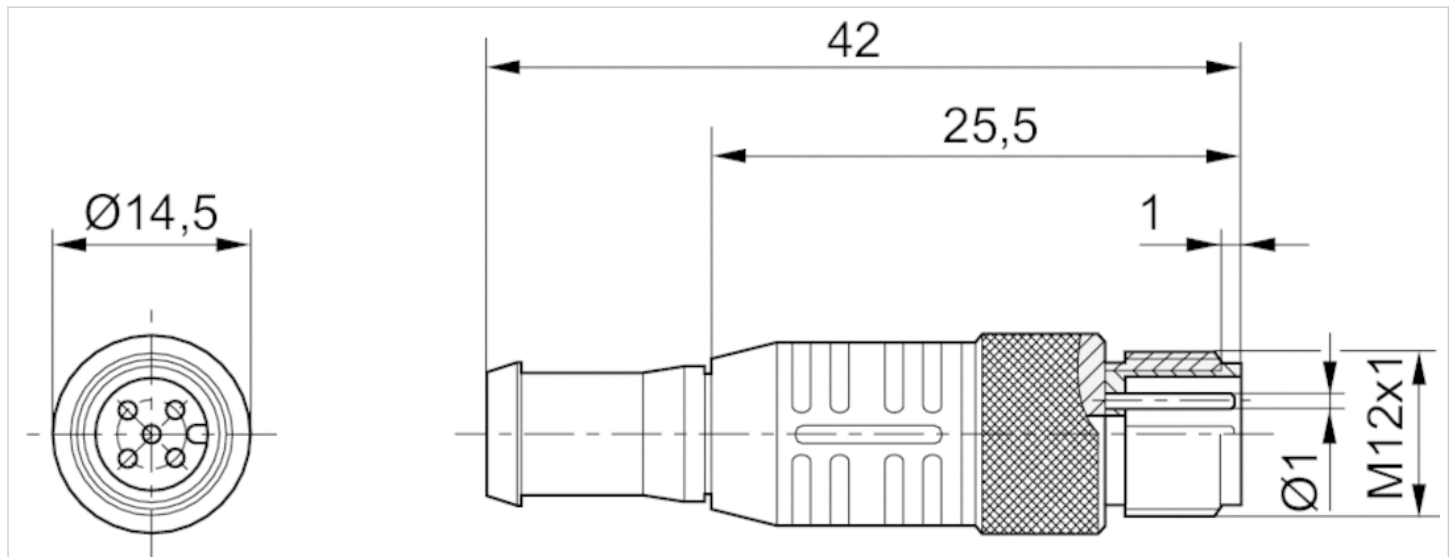
The specified protection class is only valid in assembled and tested state.
 PROFIBUS DP bus termination plug

Technical information

Material	
Housing	Thermoplastic elastomer

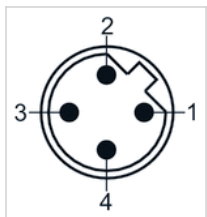
Dimensions

Dimensions



Pin assignments

Plug pin assignment



Data final plug, Series CON-RD

- Plug, M12x1, 5-pin, A-coded, straight, 180°

- for CANopen, DeviceNet



Ambient temperature min./max.	0 ... 60 °C
Protection class	IP67
Weight	0.011 kg



Technical data

Part No.

8941054264

Technical information

The specified protection class is only valid in assembled and tested state.

Technical information

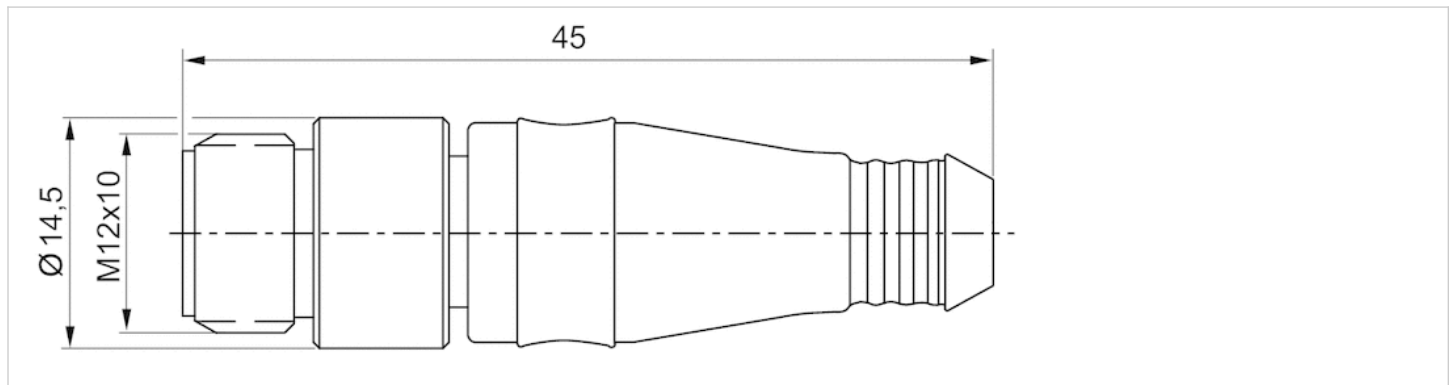
Material

Housing

Thermoplastic elastomer

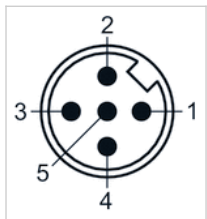
Dimensions

Dimensions



Pin assignments

Plug pin assignment



Round plug connector, Series CON-RD

- Socket M8x1 3-pin A-coded straight 180°
- Plug M12x1 3-pin A-coded straight 180°
- with cable
- unshielded

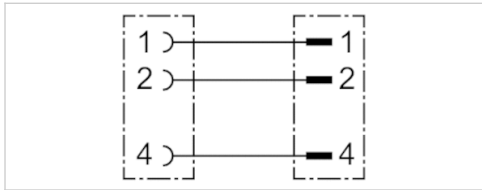


Protection class
Weight

IP68

0.073 kg

The delivered product may vary from that in the illustration.



Technical data

Part No.	Number of wires	Cable length
8946203462	3	2 m

Technical information

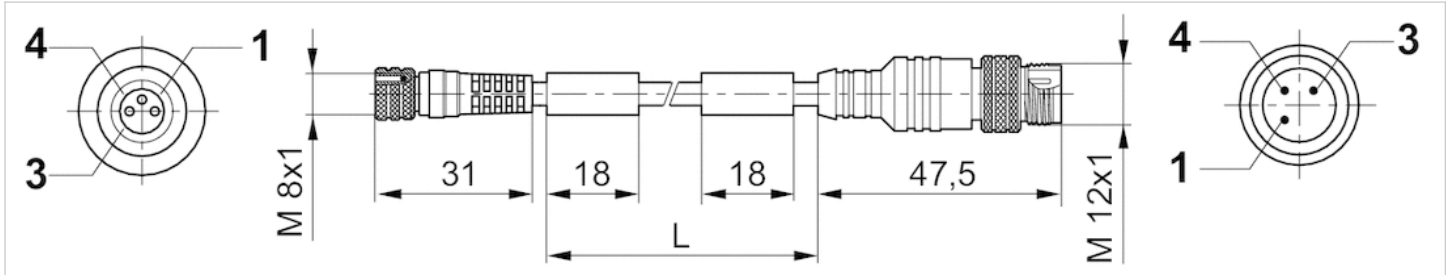
The specified protection class is only valid in assembled and tested state.

Technical information

Material	
Cable sheath	Polyvinyl chloride

Dimensions

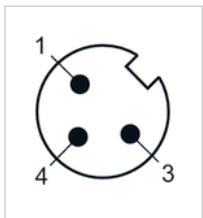
Dimensions



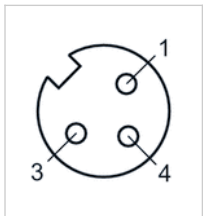
L = length

Pin assignments

Plug pin assignment



Pin assignment, socket

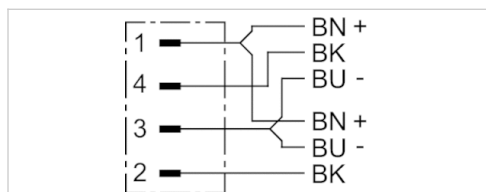


Y-Plug connector, series CON-RD

- Plug M12x1 4-pin A-coded straight 180°
- 2 x open cable ends 3-pin
- 3-pin
- with cable
- unshielded



Ambient temperature min./max.	-40 ... 80 °C
Operational voltage	48 V AC/DC
Protection class	IP67
Wire cross-section	0.34 mm ²
Mounting screw tightening torque	0.8 Nm
Weight	0.122 kg



Technical data

Part No.	Max. current	Number of wires	Cable-Ø	Cable length
R412021688	4 A	4	4.3 mm	2 m

with self-clinching screw

Technical information

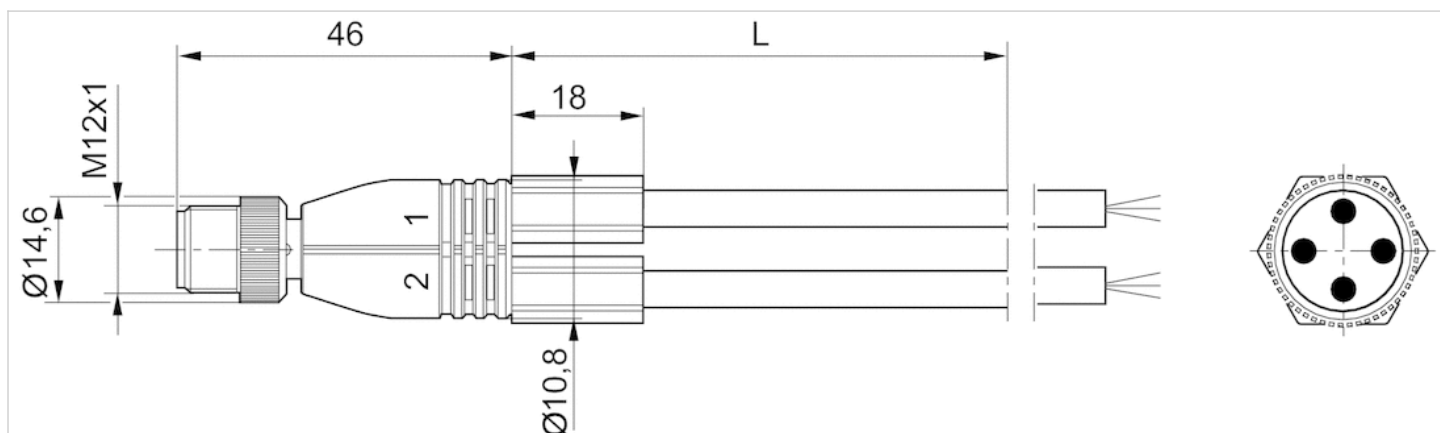
The specified protection class is only valid in assembled and tested state.

Technical information

Material	
Housing	Polyurethane
Cable sheath	Polyurethane

Dimensions

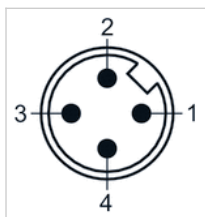
Dimensions



L = length

Pin assignments

Plug pin assignment



Line 1: (1) BN = brown, (3) BU =blue, (4) BK = black

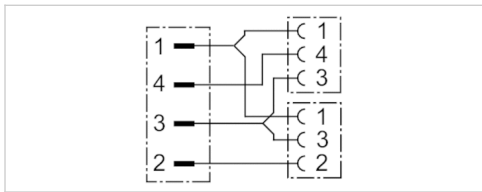
Line 2: (1) BN = brown, (3) BU =blue, (2) BK = black

Y-Plug connector, series CON-RD

- Plug M12x1 4-pin A-coded straight 180°
- Socket M8x1 3-pin A-coded straight 180°
- with cable
- unshielded



Ambient temperature min./max.	-25 ... 80 °C
Operational voltage	48 V AC/DC
Protection class	IP67
Wire cross-section	0.25 mm ²
Mounting screw tightening torque	0.8 Nm
Weight	See table below



Technical data

Part No.	Max. current	Number of wires	Cable-Ø	Cable length	Weight
R412021685	4 A	3	4.1 mm	0.6 m	0.064 kg
R412021687	4 A	3	4.1 mm	3 m	0.167 kg

Technical information

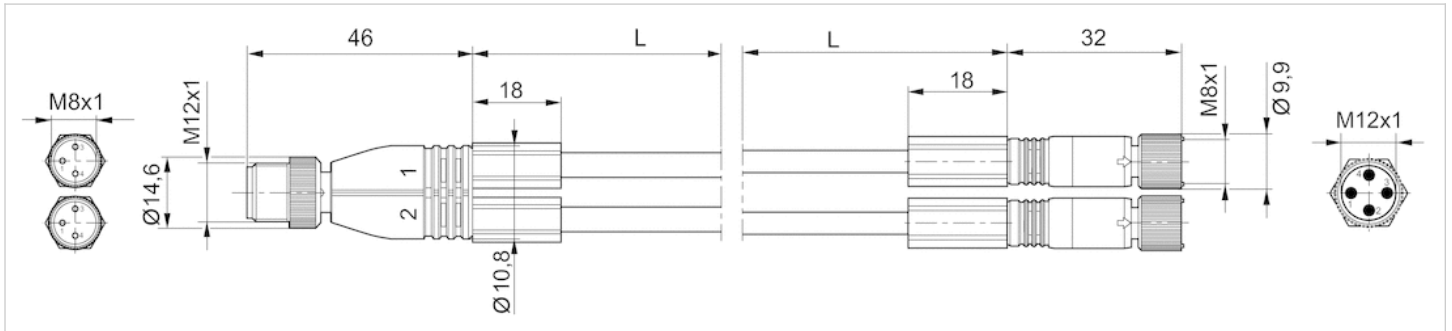
The specified protection class is only valid in assembled and tested state.

Technical information

Material	
Housing	Polyurethane
Cable sheath	Polyurethane

Dimensions

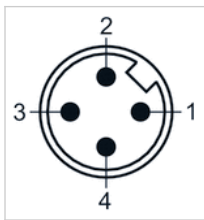
Dimensions



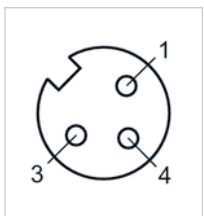
L = length

Pin assignments

Plug pin assignment



Pin assignment, socket



Round plug connector, Series CON-RD

- Plug M12x1 5-pin A-coded straight 180°
- open cable ends 5-pin
- with cable
- unshielded

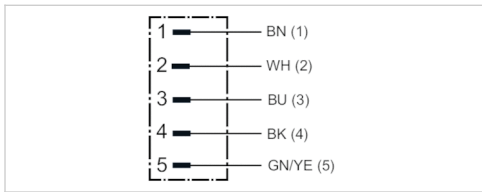


Protection class
Weight

IP68

See table below

The delivered product may vary from that in the illustration.



Technical data

Part No.	Number of wires	Cable length	Weight
8946203432	5	2 m	0.102 kg
8946203442	5	5 m	0.238 kg

with self-clinching screw

Technical information

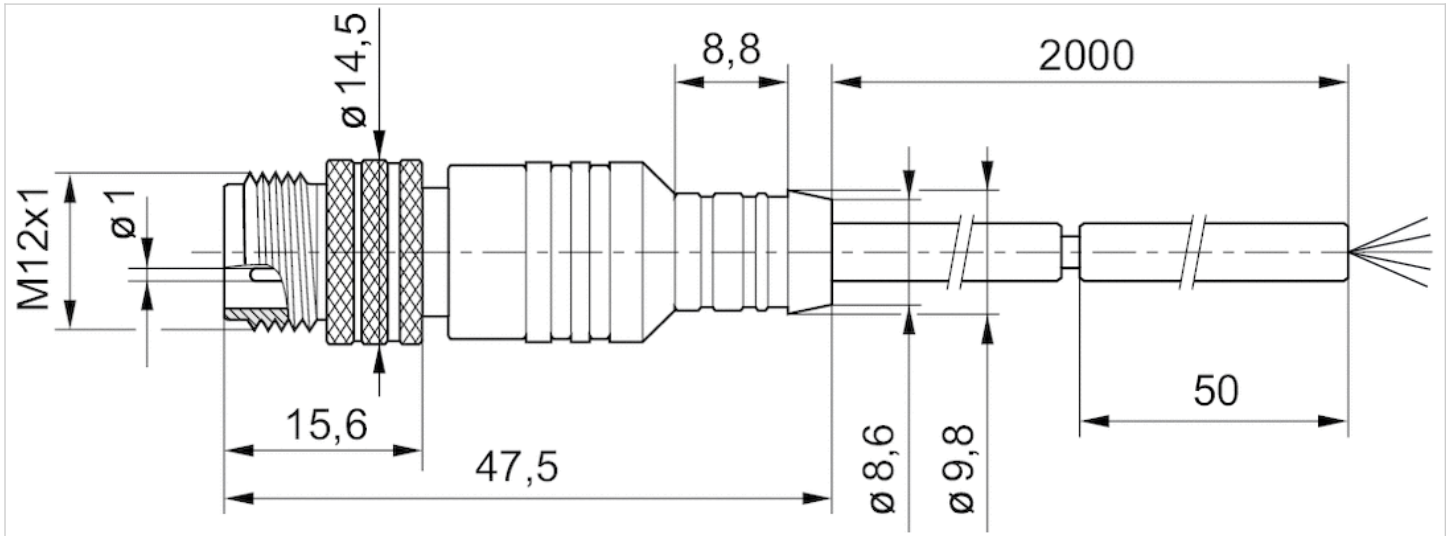
The specified protection class is only valid in assembled and tested state.

Technical information

Material	
Cable sheath	Polyvinyl chloride

Dimensions

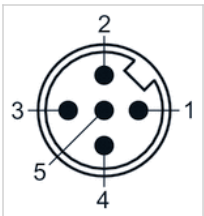
Dimensions



L = length

Pin assignments

Plug pin assignment



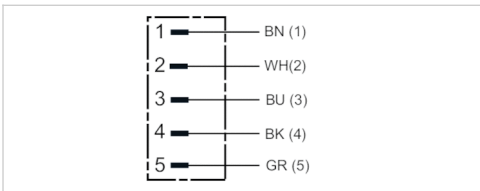
- (1) BN=brown
- (2) WH=white
- (3) BU=blue
- (4) BK=black
- (5) GRN-Y=green-yellow

Round plug connector, Series CON-RD

- Plug M12x1 5-pin A-coded angled 90°
- open cable ends 5-pin
- with cable
- suitable for dynamic laying
- unshielded



Ambient temperature min./max.	See table below
Operational voltage	48 V AC/DC
Protection class	IP68
Wire cross-section	0.34 mm ²
Mounting screw tightening torque	0.8 Nm
Weight	See table below



Technical data

Part No.	Ambient temperature min./max.	Max. current	Number of wires	Bending radius min.	Cable-Ø	Cable length
R412021691	-40 ... 85 °C	4 A	5	50 mm	5 mm	2 m
R412021692	-40 ... 85 °C	4 A	5	50 mm	5 mm	5 m
R412021693	-25 ... 85 °C	4 A	5	50 mm	5 mm	10 m

Part No.	Weight
R412021691	0.093 kg
R412021692	0.2 kg
R412021693	0.381 kg

suitable for dynamic laying

Technical information

The specified protection class is only valid in assembled and tested state.

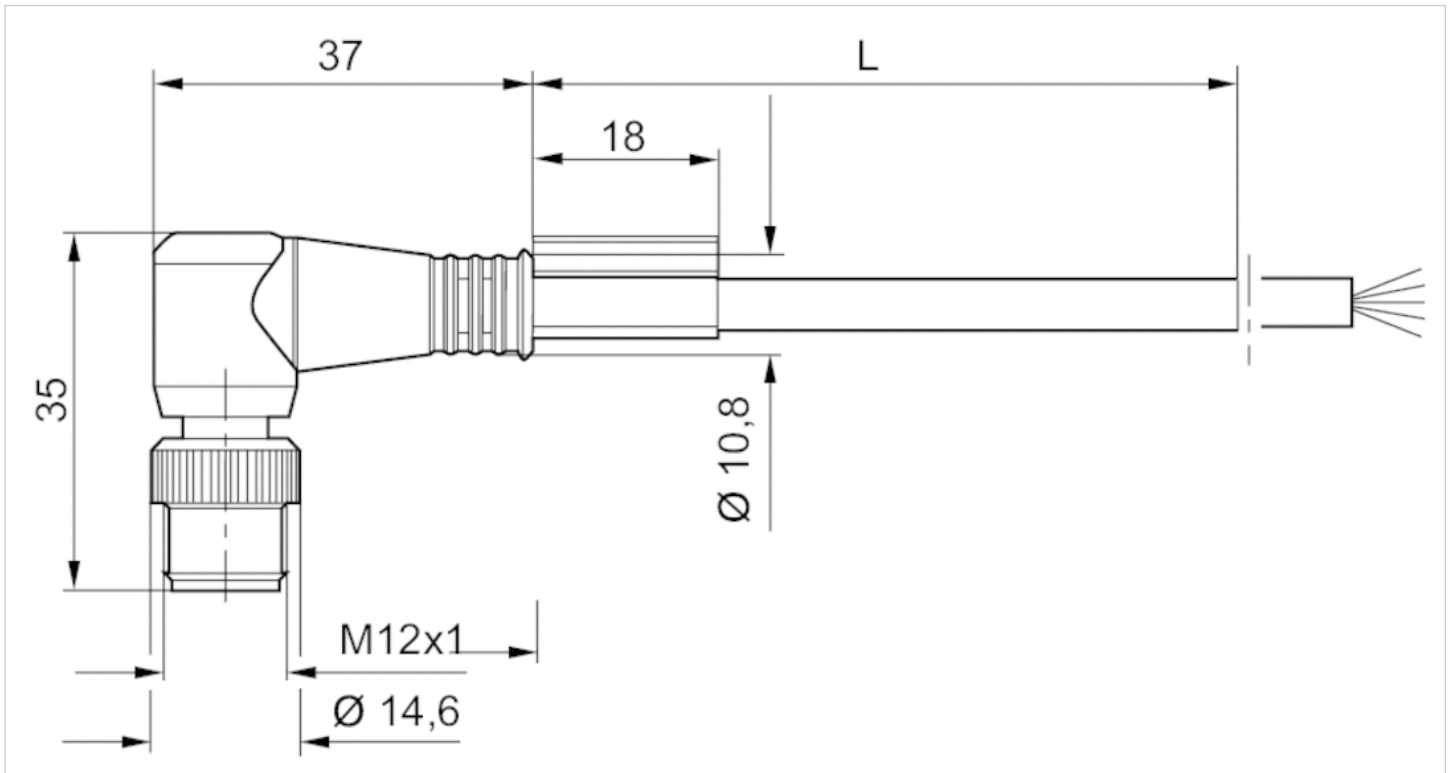
Technical information

Material

Housing	Polyurethane
Cable sheath	Polyurethane

Dimensions

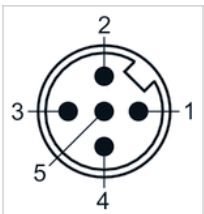
Dimensions



L = length

Pin assignments

Plug pin assignment



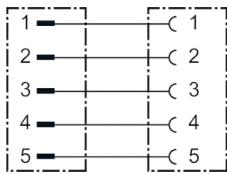
- (1) BN=brown
- (2) WH=white
- (3) BU=blue
- (4) BK=black
- (5) GY=grey

Round plug connector, Series CON-RD

- Socket M12x1 5-pin A-coded straight 180°
- Plug M12x1 5-pin A-coded angled 90°
- with cable
- suitable for dynamic laying
- unshielded



Ambient temperature min./max.	-25 ... 85 °C
Operational voltage	48 V AC/DC
Protection class	IP68
Wire cross-section	0.34 mm ²
Mounting screw tightening torque	0.8 Nm
Weight	See table below



Technical data

Part No.	Max. current	Number of wires	Bending radius min.	Cable-Ø	Cable length	Weight
R412021694	4 A	5	50 mm	5 mm	2 m	0.114 kg
R412021695	4 A	5	50 mm	5 mm	5 m	0.217 kg

suitable for dynamic laying

Technical information

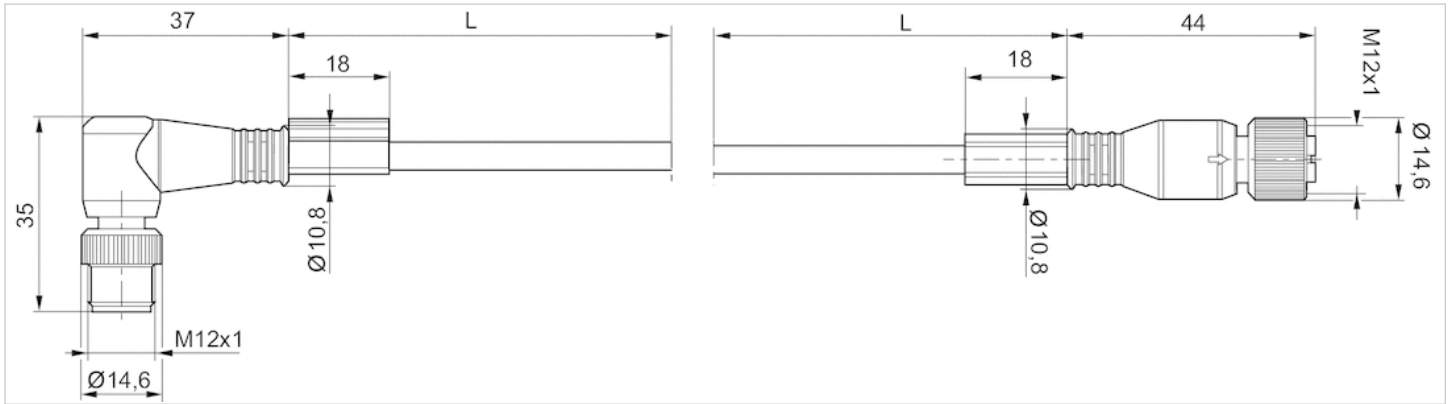
The specified protection class is only valid in assembled and tested state.

Technical information

Material	
Housing	Polyurethane
Cable sheath	Polyurethane

Dimensions

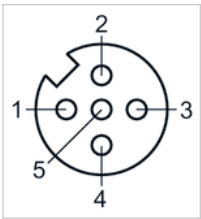
Dimensions



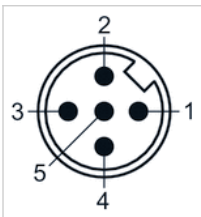
L = length

Pin assignments

Pin assignment, socket



Plug pin assignment

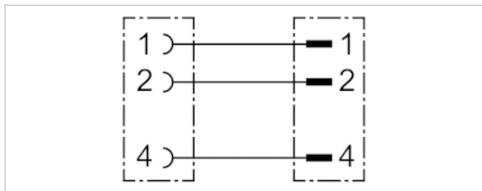


Round plug connector, Series CON-RD

- Socket M8x1 3-pin A-coded straight 180°
- Plug M12x1 3-pin A-coded angled 90°
- with cable
- suitable for dynamic laying
- unshielded



Ambient temperature min./max.	See table below
Operational voltage	48 V AC/DC
Protection class	IP67
Wire cross-section	0.25 mm ²
Mounting screw tightening torque	0.5 Nm
Weight	See table below
	The delivered product may vary from that in the illustration.



Technical data

Part No.	Ambient temperature min./max.	Max. current	Number of wires	Bending radius min.	Cable-Ø	Cable length
R412021696	-25 ... 80 °C	4 A	3	41 mm	4.1 mm	2 m
R412021697	-20 ... 80 °C	4 A	3	41 mm	4.1 mm	5 m

Part No.	Weight
R412021696	0.077 kg
R412021697	0.135 kg

suitable for dynamic laying

Technical information

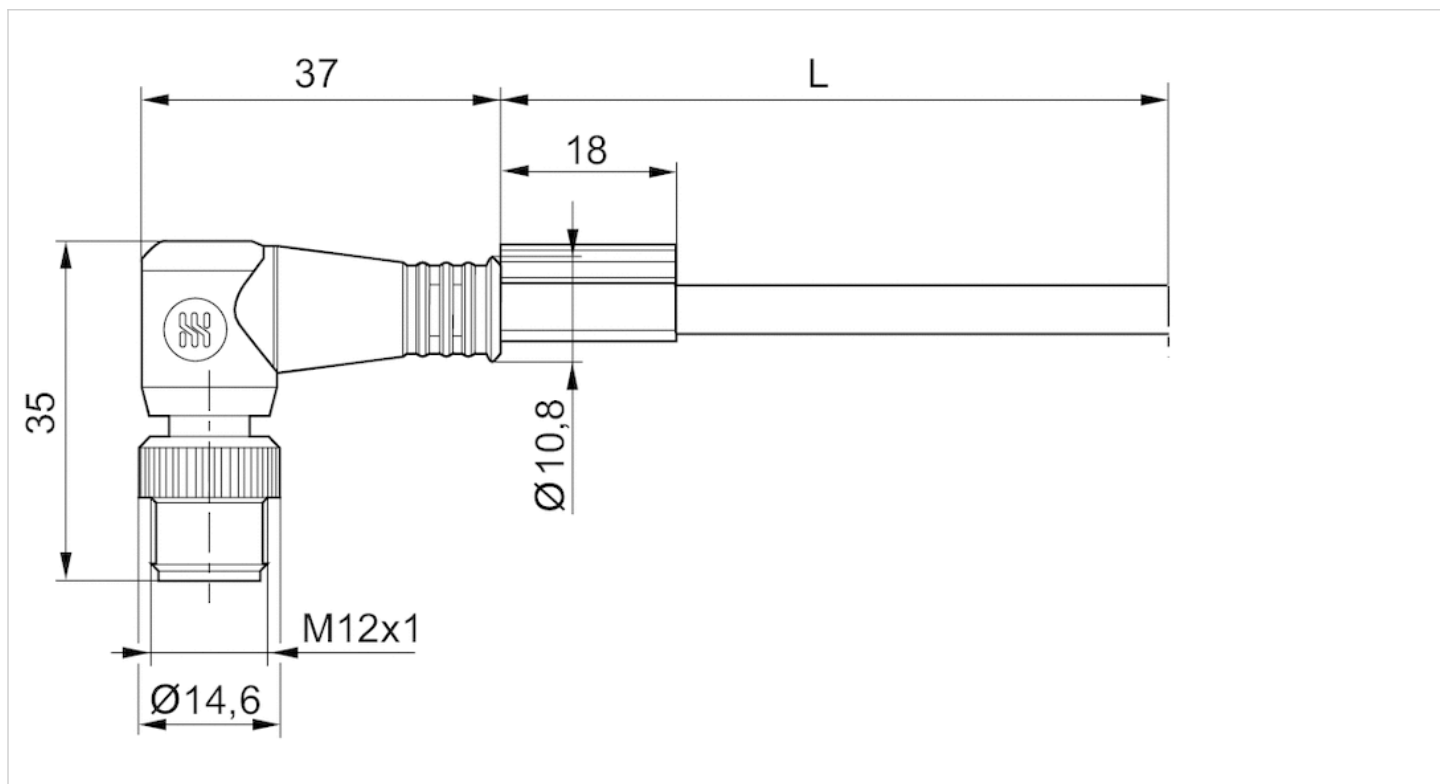
The specified protection class is only valid in assembled and tested state.

Technical information

Material	
Housing	Polyurethane
Cable sheath	Polyurethane

Dimensions

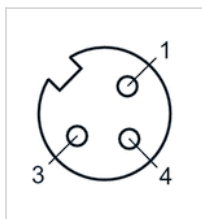
Dimensions



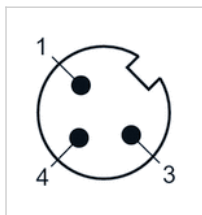
L = length

Pin assignments

Pin assignment, socket



Plug pin assignment

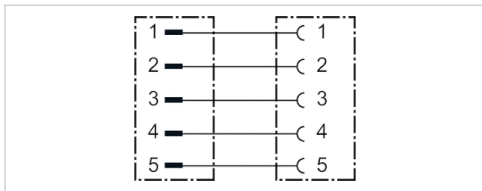


Round plug connector, Series CON-RD

- Socket M12x1 5-pin A-coded straight 180°
- Plug M12x1 5-pin A-coded angled 90°
- with cable
- suitable for dynamic laying
- shielded



Ambient temperature min./max.	-20 ... 85 °C
Operational voltage	48 V AC/DC
Protection class	IP68
Wire cross-section	0.34 mm ²
Mounting screw tightening torque	0.8 Nm



Technical data

Part No.	Max. current	Number of wires	Bending radius min.	Cable-Ø	Cable length
R412022193	4 A	4	54 mm	5.4 mm	2 m

suitable for dynamic laying

Technical information

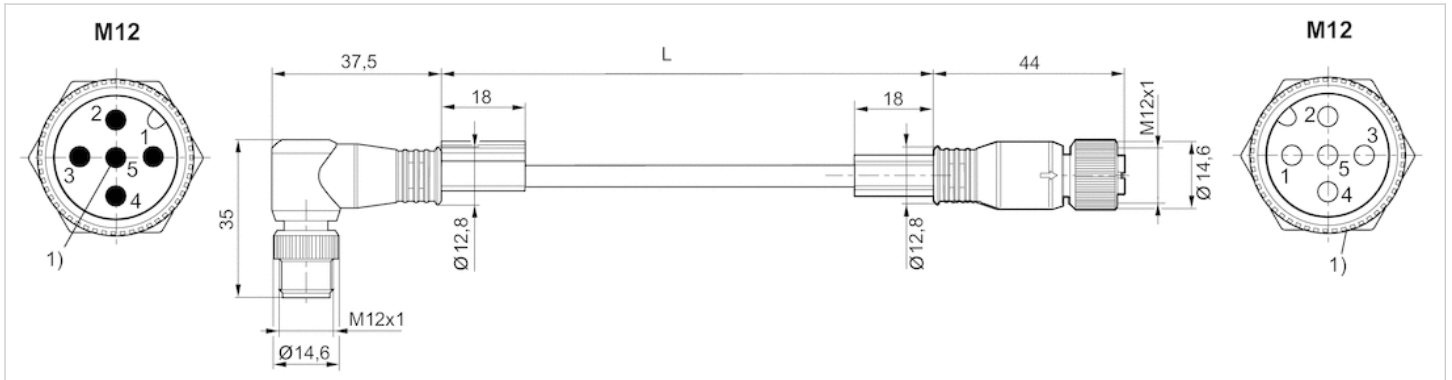
The specified protection class is only valid in assembled and tested state.

Technical information

Material	
Housing	Polyurethane
Cable sheath	Polyurethane

Dimensions

Dimensions



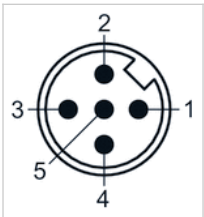
L = length

PIN assignment 1:1

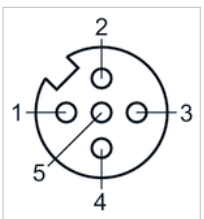
1) Shield is connected to pin 5 of the plug and the knurled screw of the socket.

Pin assignments

Plug pin assignment



Pin assignment, socket

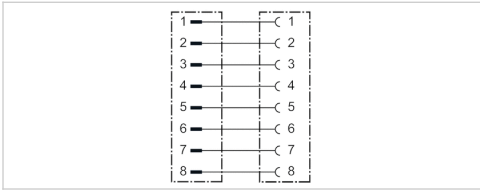


Round plug connector, Series CON-RD

- Socket M12x1 8-pin A-coded straight 180°
- Plug M12x1 8-pin A-coded straight 180°
- with cable
- suitable for dynamic laying
- shielded



Ambient temperature min./max.	-25 ... 80 °C
Operational voltage	30 / 36 V AC/DC
Protection class	IP67
Wire cross-section	0.25 mm ²
Weight	See table below



Technical data

Part No.	Max. current	Number of wires	Cable-Ø	Cable length	Weight
8946202802	1.5 A	8	6.6 mm	0.5 m	0.067 kg
8946202812	1.5 A	8	6.6 mm	1 m	0.96 kg
8946202822	1.5 A	8	6.6 mm	2 m	0.161 kg
8946202832	1.5 A	8	6.6 mm	5 m	0.339 kg
8946202842	1.5 A	8	6.6 mm	10 m	0.65 kg

suitable for dynamic laying

Technical information

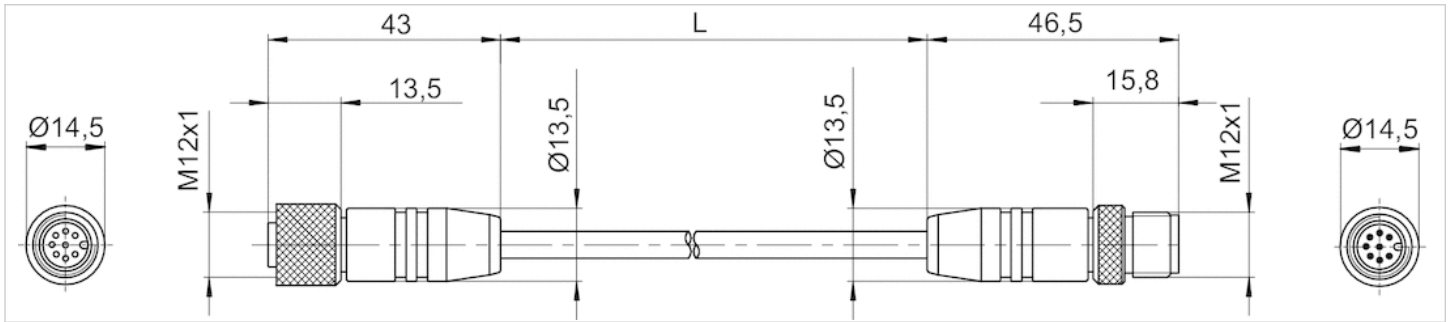
The specified protection class is only valid in assembled and tested state.

Technical information

Material	
Housing	Polyurethane
Seals	Fluorocaoutchouc
Cable sheath	Polyurethane

Dimensions

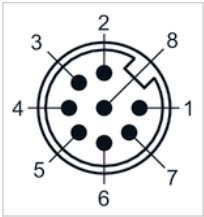
Dimensions



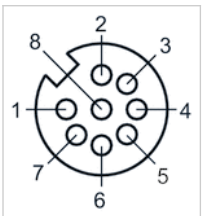
L = length

Pin assignments

Plug pin assignment



Pin assignment, socket



Round plug connector, Series CON-RD

- Plug, M12x1, 4-pin, A-coded, straight, 180°
- UL (Underwriters Laboratories)
- unshielded



Connection type	Screws
Ambient temperature min./max.	-40 ... 85 °C
Operational voltage	48 V AC/DC
Protection class	IP67
Weight	0.016 kg



Technical data

Part No.	Max. current	suitable cable-Ø min./max
1834484222	4 A	4 / 6 mm

Technical information

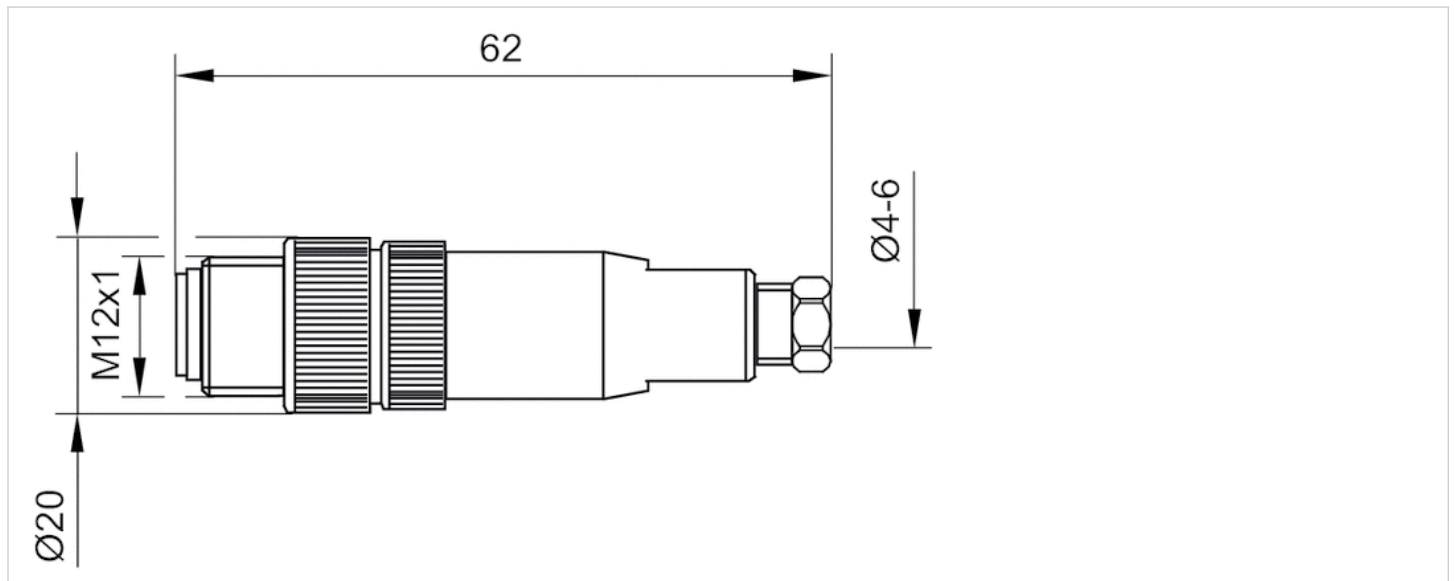
The specified protection class is only valid in assembled and tested state.

Technical information

Material	
Housing	Polyamide

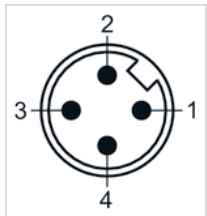
Dimensions

Dimensions



Pin assignments

Plug pin assignment

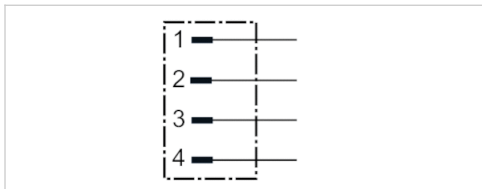


Round plug connector, Series CON-RD

- Plug, M12x1, 4-pin, A-coded, angled, 90° Plug, M12x1, 4-pin, A-coded, straight, 180°
- UL (Underwriters Laboratories)
- unshielded



Connection type	Screws
Ambient temperature min./max.	-40 ... 85 °C
Operational voltage	48 V AC/DC
Protection class	IP67
Weight	See table below
	The delivered product may vary from that in the illustration.



Technical data

Part No.	Electrical connection	Max. current	suitable cable-Ø min./max	Weight
	1			
1834484223	Plug M12x1 4-pin A-coded angled 90°	4 A	4 / 6 mm	0.02 kg
1834484246	Plug M12x1 4-pin A-coded straight 180°	4 A	2.1 / 3 mm	0.024 kg

Part No.	Fig.
1834484223	Fig. 1
1834484246	Fig. 2

For the duo plug, the cable diameter to be used varies between 2.1 ... 3.0 mm and 4.0 ... 5.0 mm depending on the seal used.

Technical information

The specified protection class is only valid in assembled and tested state.
 Included: 2 seals for 2 cables each with Ø 2.1 mm ... 3.0 mm and Ø 4.0 mm ... 5.0 mm .

Technical information

Material	
Housing	Polyamide

Dimensions

Fig. 1

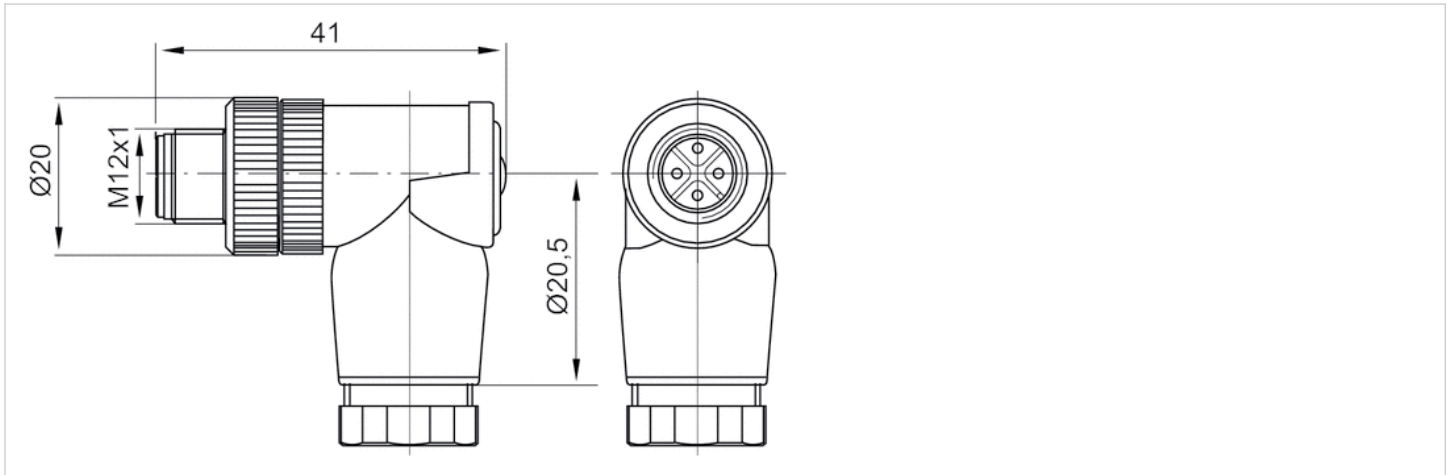
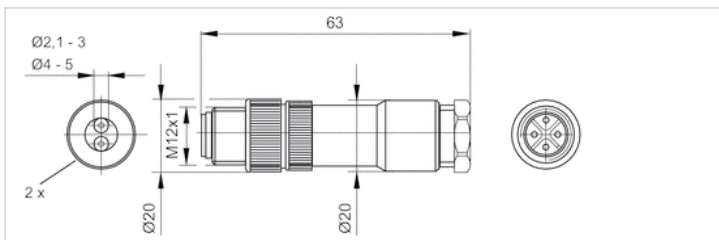


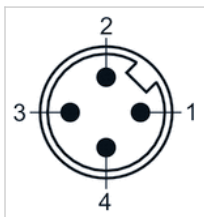
Fig. 2



duo plug

Pin assignments

Plug pin assignment



Round plug connector, Series CON-RD

- Plug, M12x1, 4-pin, D-coded, straight, 180°
- for Ethernet, EtherNET/IP, EtherCAT, POWERLINK, sercos III
- shielded



Connection type	Thread cutting
Ambient temperature min./max.	-40 ... 85 °C
Operational voltage	48 V AC/DC
Protection class	IP67
Weight	0.41 kg



Technical data

Part No.	Max. current	suitable cable-Ø min./max
R419801401	4 A	6 / 8 mm

Technical information

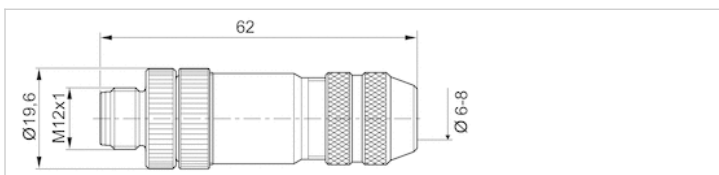
The specified protection class is only valid in assembled and tested state.

Technical information

Material	
Housing	Brass, nickel-plated

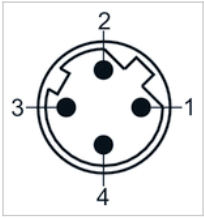
Dimensions

Dimensions



Pin assignments

Plug pin assignment

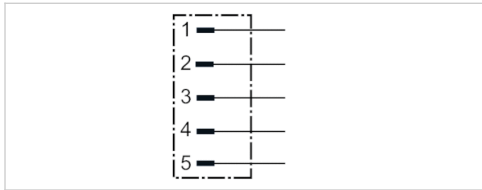


Round plug connector, Series CON-RD

- Plug, M12x1, 5-pin, B-coded, straight, 180°
- for PROFIBUS DP
- UL (Underwriters Laboratories)
- shielded



Connection type	Screws
Ambient temperature min./max.	-25 ... 85 °C
Operational voltage	48 V AC/DC
Protection class	IP67
Weight	0.06 kg



Technical data

Part No.	Max. current	suitable cable-Ø min./max
8941054054	4 A	4 / 9 mm

Technical information

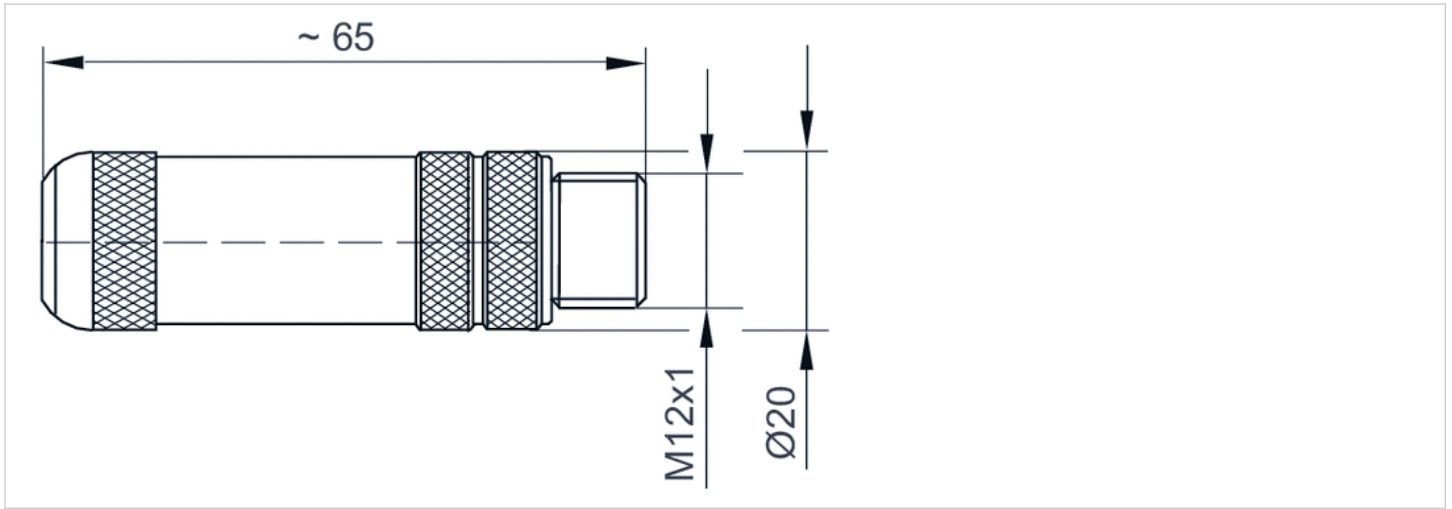
The specified protection class is only valid in assembled and tested state.

Technical information

Material	
Housing	Brass, nickel-plated
Seals	Fluorocarbon caoutchouc

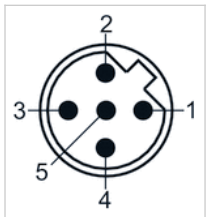
Dimensions

Dimensions



Pin assignments

Plug pin assignment

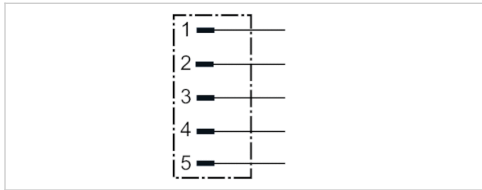


Round plug connector, Series CON-RD

- Plug, M12x1, 5-pin, A-coded, straight, 180°
- for CANopen, DeviceNet
- UL (Underwriters Laboratories)
- shielded



Connection type	Screws
Ambient temperature min./max.	-40 ... 85 °C
Operational voltage	48 V AC/DC
Protection class	IP67
Weight	0.48 kg



Technical data

Part No.	Max. current	suitable cable-Ø min./max
8942051612	4 A	6 / 8 mm

Technical information

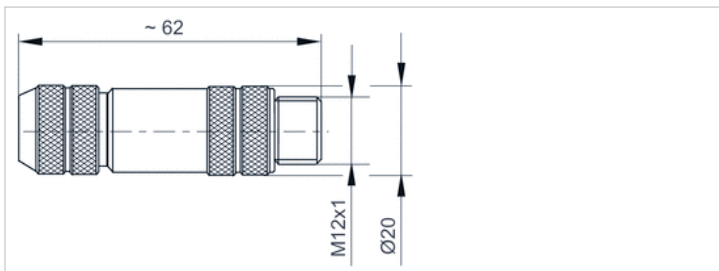
The specified protection class is only valid in assembled and tested state.

Technical information

Material	
Housing	Brass, nickel-plated

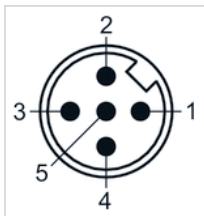
Dimensions

Dimensions



Pin assignments

Plug pin assignment

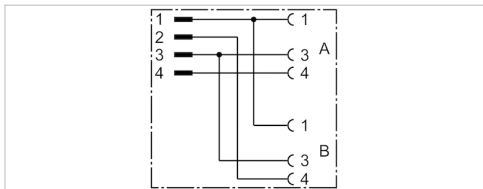


Y-Plug connector, series CON-AP

- Plug, M12x1, 4-pin, A-coded, straight, 180°
- Socket, M8x1, 3-pin, A-coded, straight, 180°
- unshielded



Ambient temperature min./max.	-25 ... 90 °C
Operational voltage	48 V AC/DC
Protection class	IP67
Weight	0.02 kg
	The delivered product may vary from that in the illustration.



Technical data

Part No.	Max. current
8941002382	4 A

Technical information

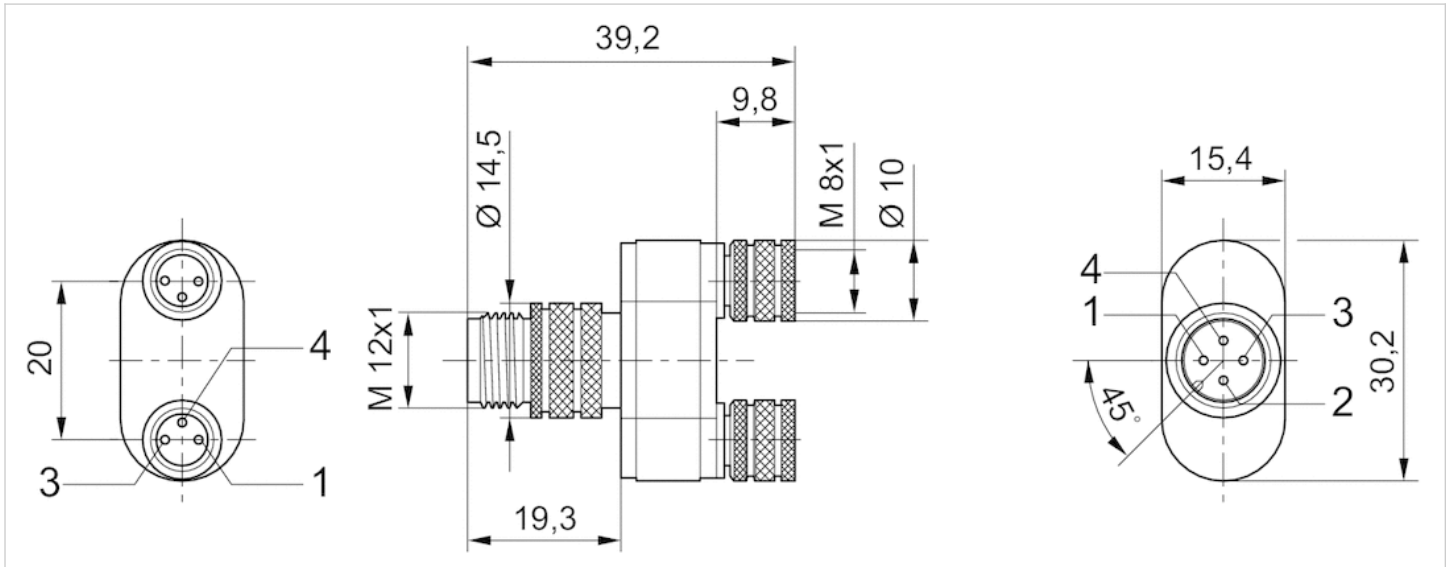
The specified protection class is only valid in assembled and tested state.

Technical information

Material	
Housing	Polyurethane
Seals	Fluorocaoutchouc

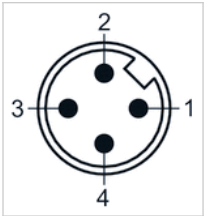
Dimensions

Dimensions

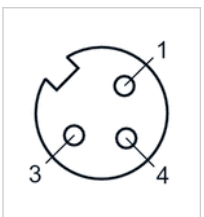


Pin assignments

Plug pin assignment



Pin assignment, socket

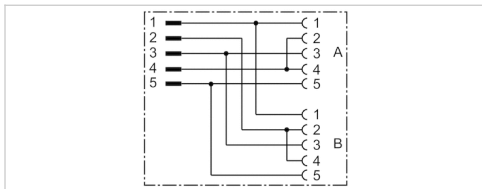


Y-Plug connector, series CON-AP

- Plug, M12x1, 5-pin, A-coded, straight, 180°
- Socket, M12x1, 5-pin, A-coded, straight, 180°
- unshielded



Ambient temperature min./max.	-25 ... 90 °C
Operational voltage	48 V AC/DC
Protection class	IP67
Weight	0.029 kg
	The delivered product may vary from that in the illustration.



Technical data

Part No.	Max. current
8941002392	4 A

Technical information

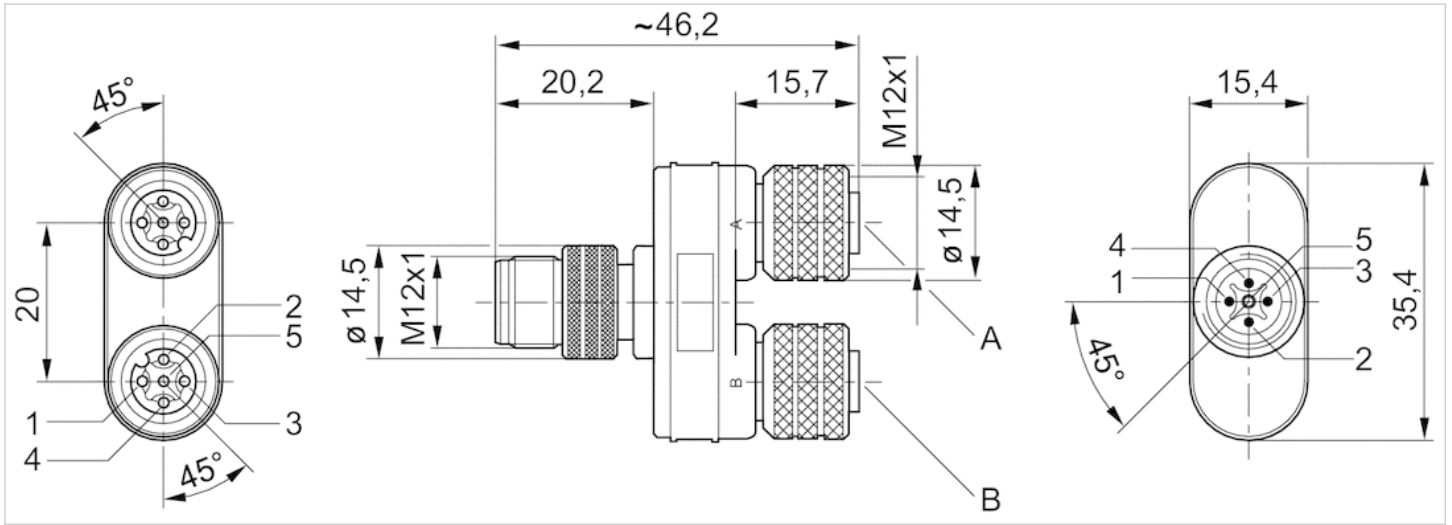
The specified protection class is only valid in assembled and tested state.

Technical information

Material	
Housing	Polyurethane
Seals	Fluorocaoutchouc

Dimensions

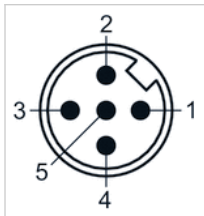
Dimensions



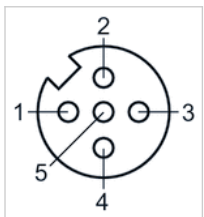
Sockets: Pin 2 and 4 bridged.

Pin assignments

Plug pin assignment



Pin assignment, socket



Round plug connector, Series CON-RD

- Socket, M12x1, 4-pin, A-coded, straight, 180°
- UL (Underwriters Laboratories)
- unshielded



Connection type

Ambient temperature min./max.

Operational voltage

Protection class

Weight

Screws

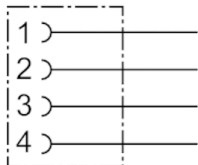
-25 ... 90 °C

48 V AC/DC

IP67

0.029 kg

The delivered product may vary from that in the illustration.



Technical data

Part No.	Max. current	suitable cable-Ø min./max
8941054324	4 A	4 mm

Technical information

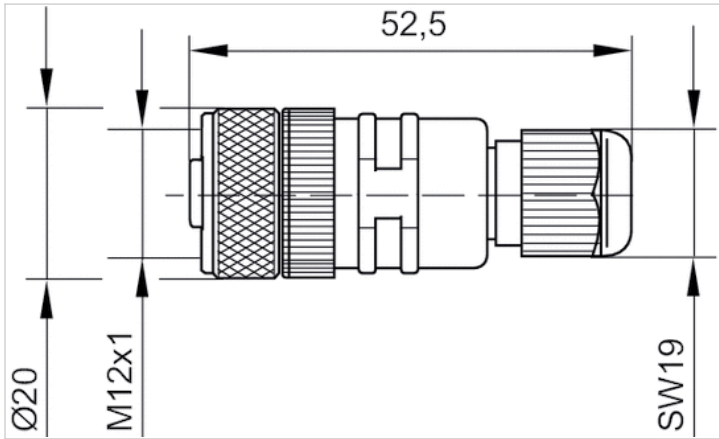
The specified protection class is only valid in assembled and tested state.

Technical information

Material	
Housing	Polybutyleneterephthalate
Seals	Fluorocarbon caoutchouc

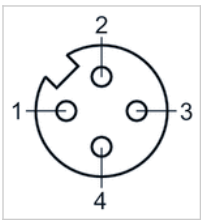
Dimensions

Dimensions



Pin assignments

Pin assignment, socket

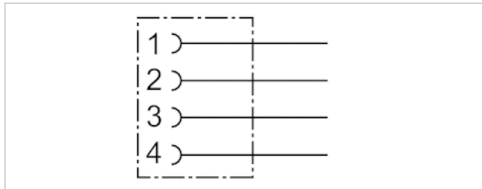


Round plug connector, Series CON-RD

- Socket, M12x1, 4-pin, A-coded, angled, 90°
- unshielded



Connection type	Screws
Ambient temperature min./max.	-25 ... 90 °C
Operational voltage	48 V AC/DC
Protection class	IP67
Weight	0.027 kg



Technical data

Part No.	Max. current	suitable cable-Ø min./max
8941054424	4 A	4 mm

Technical information

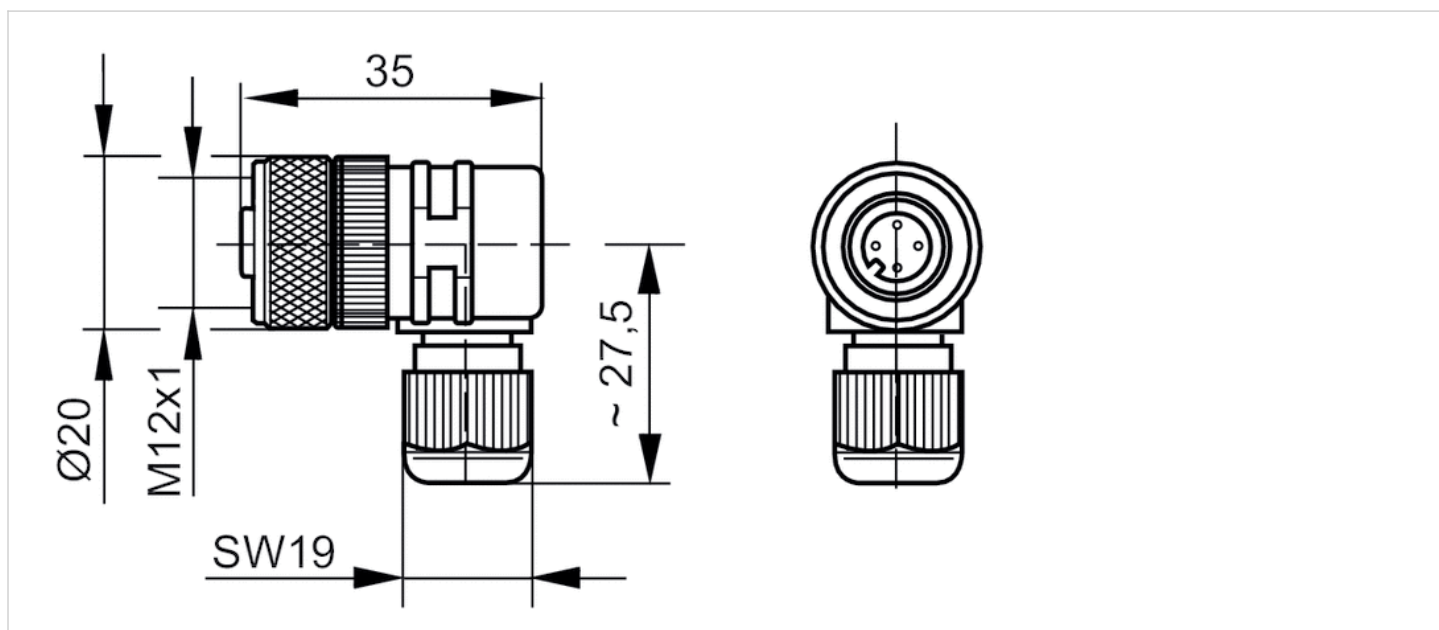
The specified protection class is only valid in assembled and tested state.

Technical information

Material	
Housing	Polybutyleneterephthalate
Seals	Fluorocarbon caoutchouc

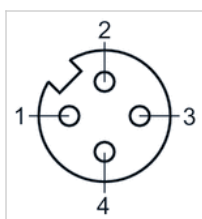
Dimensions

Dimensions



Pin assignments

Pin assignment, socket

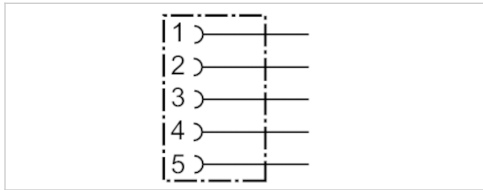


Round plug connector, Series CON-RD

- Socket, M12x1, 5-pin, A-coded, straight, 180°
- for CANopen, DeviceNet
- UL (Underwriters Laboratories)
- shielded



Connection type	Screws
Ambient temperature min./max.	-40 ... 85 °C
Operational voltage	48 V AC/DC
Protection class	IP67
Weight	0.051 kg



Technical data

Part No.	Max. current	suitable cable-Ø min./max
8942051602	4 A	6 mm

Technical information

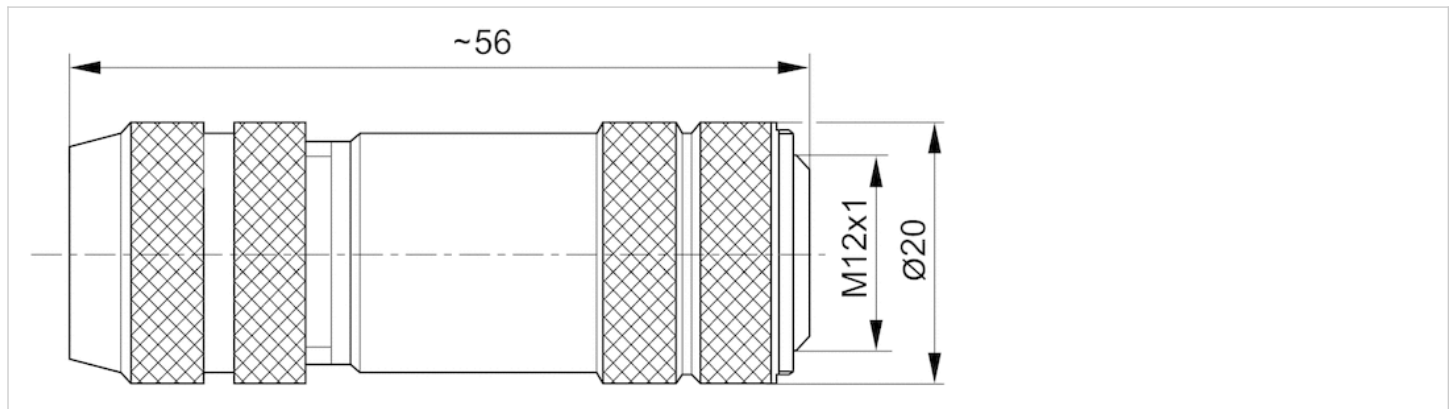
The specified protection class is only valid in assembled and tested state.

Technical information

Material	
Housing	Brass, nickel-plated

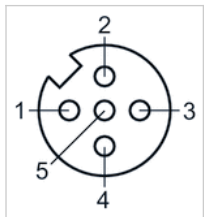
Dimensions

Dimensions



Pin assignments

Pin assignment, socket

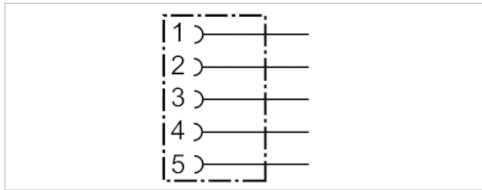


Round plug connector, Series CON-RD

- Socket, M12x1, 5-pin, B-coded, straight, 180°
- for PROFIBUS DP
- UL (Underwriters Laboratories)
- shielded



Connection type	Screws
Ambient temperature min./max.	-40 ... 85 °C
Operational voltage	48 V AC/DC
Protection class	IP67
Weight	0.06 kg



Technical data

Part No.	Max. current	suitable cable-Ø min./max
8941054044	4 A	6 / 8 mm

Technical information

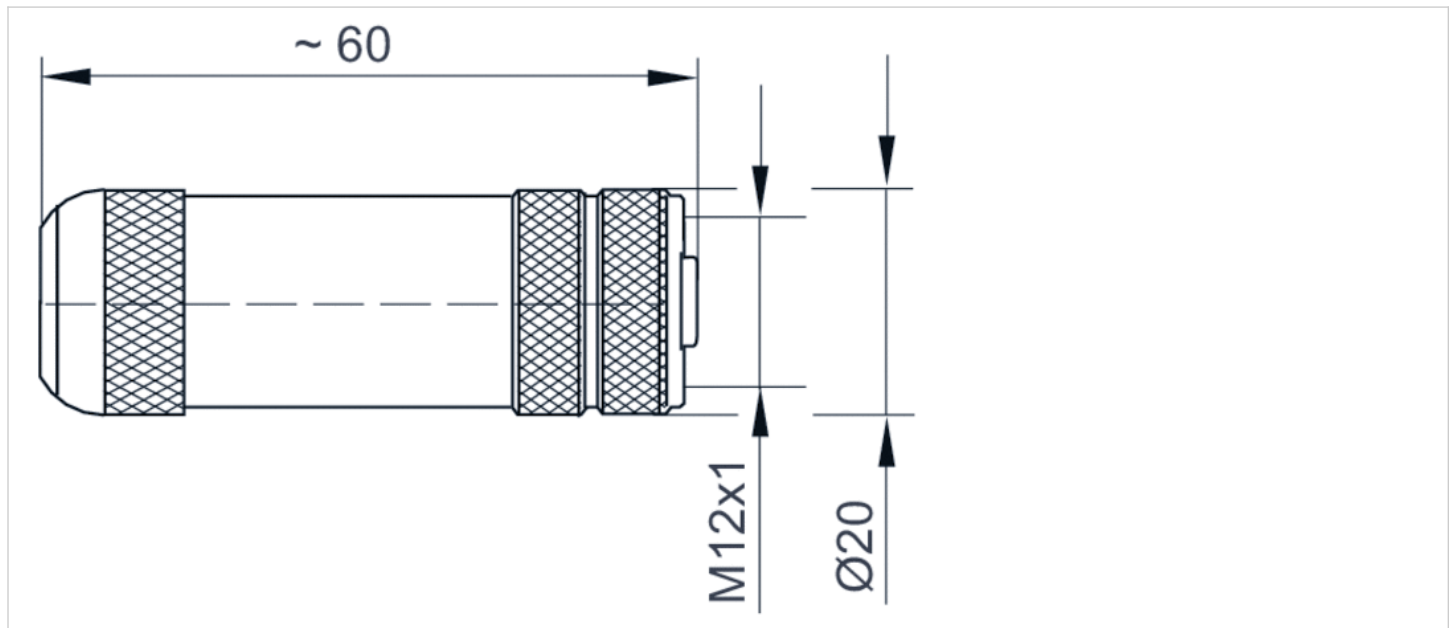
The specified protection class is only valid in assembled and tested state.

Technical information

Material	
Housing	Brass, nickel-plated
Seals	Fluorocarbon caoutchouc

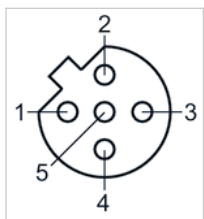
Dimensions

Dimensions



Pin assignments

Pin assignment, socket



Distributor, Series AES

- 4x passive distributor, M12x1, 8-pin / 4x M8x1, 3-pin
- Plug (male), M12x1, 8-pin



Ambient temperature min./max.	-30 ... 80 °C
Operational voltage electronics	24 V DC
Power consumption electronics	2 A
Protection class	IP67
Weight	0.07 kg

Technical data

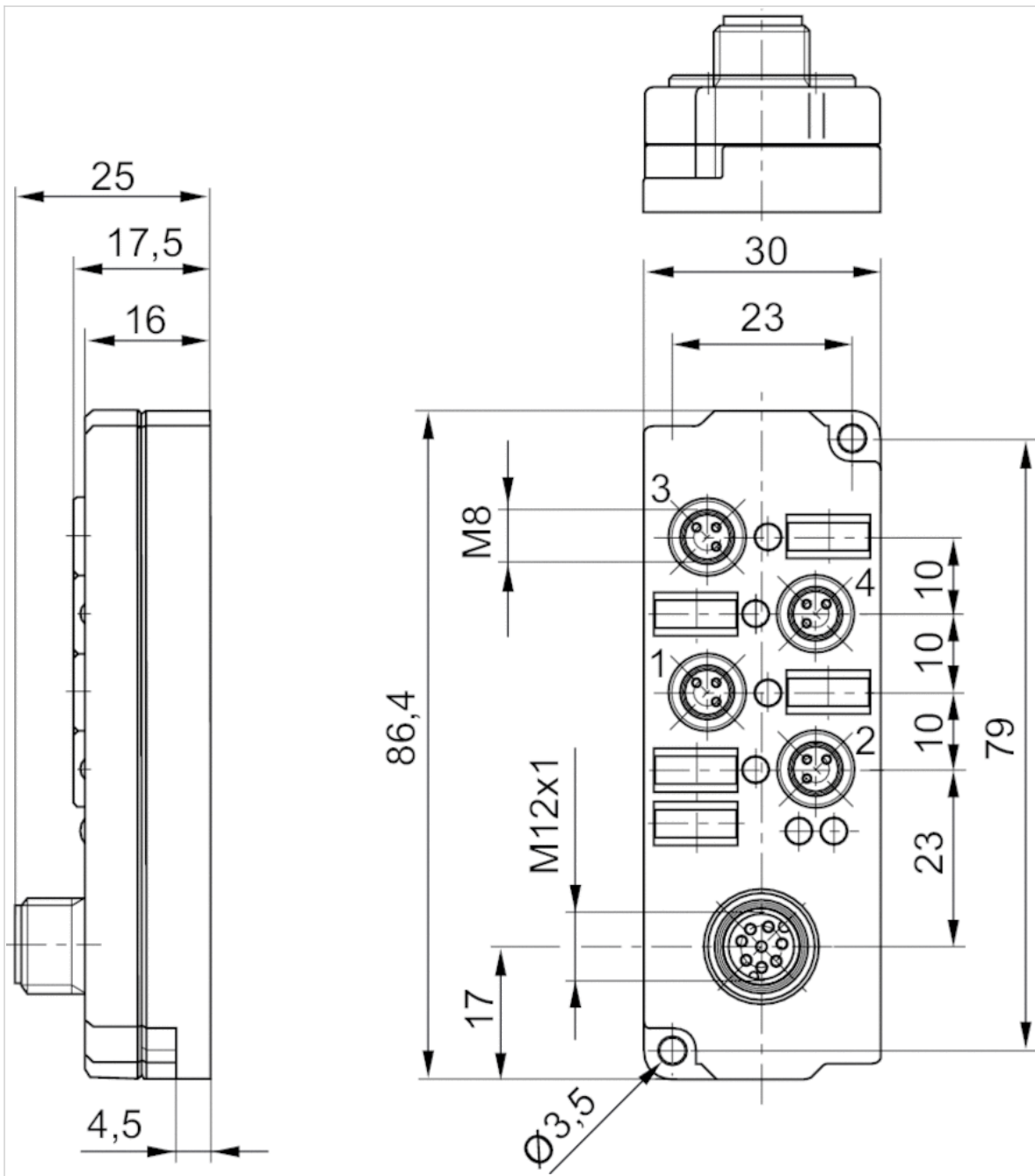
Part No.	Type	Port	
		1	2
R402001810	16DI4M12 16DI8M8	Plug (male), M12x1, 8-pin	Socket (female), M8x1, 3-pin

Technical information

Material	
Housing	Polyamide

Dimensions

Dimensions



Protective cap, series CON-RD

- M8x1



Ambient temperature min./max.	-40 ... 85 °C
Protection class	IP67
Weight	0.001 kg

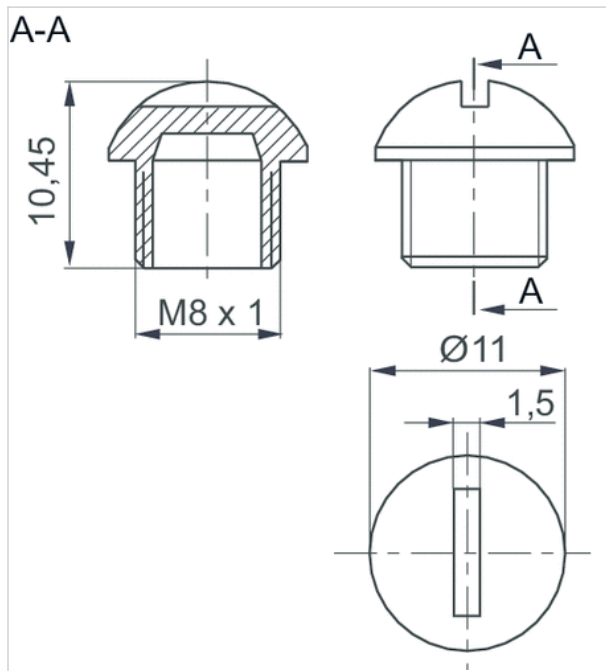
Technical data

Part No.	Type	Scope of delivery
R412003493	M8x1	25

Technical information

Material	
Housing	Polyamide

Dimensions



Protective cap, series CON-RD

- M12x1



Ambient temperature min./max.	-40 ... 85 °C
Protection class	IP67
Weight	0.001 kg

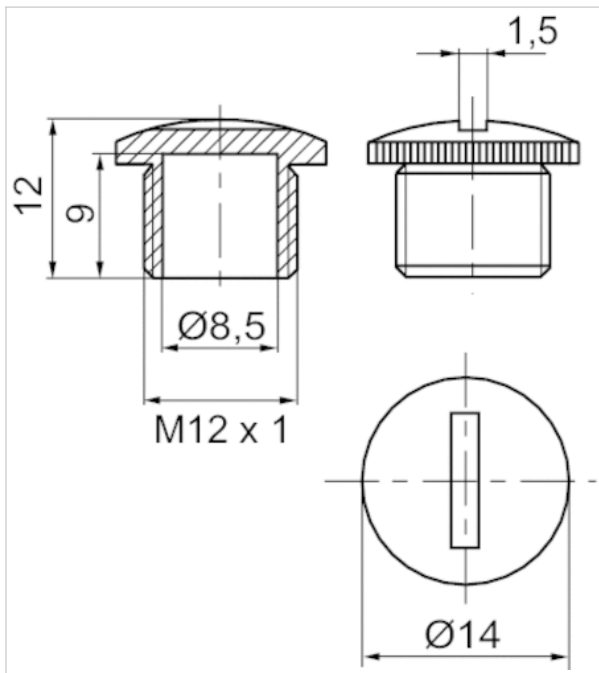
Technical data

Part No.	Type	Delivery unit
1823312001	M12x1	50 piece

Technical information

Material	
Housing	Polyamide

Dimensions



Efficient pneumatic solutions, our program: cylinders and drives, valves and valve systems, air supply management



Visit us: [Emerson.com/Aventics](https://www.emerson.com/Aventics)

Your local contact: [Emerson.com/contactus](https://www.emerson.com/contactus)



Emerson.com



[Facebook.com/EmersonAutomationSolutions](https://www.facebook.com/EmersonAutomationSolutions)



[LinkedIn.com/company/Emerson-Automation-Solutions](https://www.linkedin.com/company/Emerson-Automation-Solutions)



[Twitter.com/EMR_Automation](https://twitter.com/EMR_Automation)

An example configuration is depicted on the title page. The delivered product may thus vary from that in the illustration. Subject to change. This Document, as well as the data, specifications and other information set forth in it, are the exclusive property of AVENTICS GmbH. It may not be reproduced or given to third parties without its consent. Only use the AVENTICS products shown in industrial applications. Read the product documentation completely and carefully before using the product. Observe the applicable regulations and laws of the respective country. When integrating the product into applications, note the system manufacturer's specifications for safe use of the product. The data specified only serve to describe the product. No statements concerning a certain condition or suitability for a certain application can be derived from our information. The information given does not release the user from the obligation of own judgment and verification. It must be remembered that the products are subject to a natural process of wear and aging.

The Emerson logo is a trademark and service mark of Emerson Electric Co. Brand logotype are registered trademarks of one of the Emerson family of companies. All other marks are the property of their respective owners. © 2017 Emerson Electric Co. All rights reserved.
2019-03



CONSIDER IT SOLVED™