

Series EV18



AVENTICS™ Series EV18

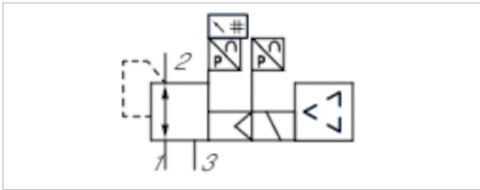


E/P pressure regulator, Series EV18

- Pressure supply, right, Display: display
- Qn = 16500 l/min
- Compressed air connection output G 1 G 3/4
- Electr. connection M12, 5-pin, A-coded
- serial control IO-Link
- Pilot valves



Version	Poppet valve
Working pressure max	11 bar
Ambient temperature min./max.	0 ... 50 °C
Medium temperature min./max.	0 ... 50 °C
Max. particle size	50 µm
Oil content of compressed air	0 ... 5 mg/m ³
Nominal flow Qn	16500 l/min
DC operating voltage	24 V
Voltage tolerance DC	-20% / +30%
Hysteresis	0.12 bar
Permissible ripple	5%
Max. power consumption	220 mA
Weight	2.15 kg



Technical data

Part No.	Pressure setting range min./max.	Compressed air connection	
		Input	Output
R414011411	0 ... 10 bar	G 1	G 1
R414011412	0 ... 10 bar	G 1	G 1
R414011414	0 ... 10 bar	G 1	G 1
R414011417	0 ... 10 bar	G 3/4	G 3/4
R414011418	0 ... 10 bar	G 3/4	G 3/4
R414011420	0 ... 10 bar	G 3/4	G 3/4

Part No.	Compressed air connection		Nominal input value Min./max.	Actual output value Min./max.	serial control
	Output	Input			
R414011411	G 1	G 1	0 ... 10 V	0 ... 10 V	-
R414011412	G 1	G 1	4 ... 20 mA	4 ... 20 mA	-
R414011414	G 1	G 1	-	-	IO-Link
R414011417	G 3/4	G 3/4	0 ... 10 V	0 ... 10 V	-
R414011418	G 3/4	G 3/4	4 ... 20 mA	4 ... 20 mA	-
R414011420	G 3/4	G 3/4	-	-	IO-Link

Technical information

The min. control pressure must be adhered to, since otherwise faulty switching and valve failure may result!
 The pressure dew point must be at least 15 °C under ambient and medium temperature and may not exceed 3 °C .
 The oil content of compressed air must remain constant during the life cycle.
 Use only the approved oils from AVENTICS. Further information can be found in the “Technical information” document (available in the MediaCentre).

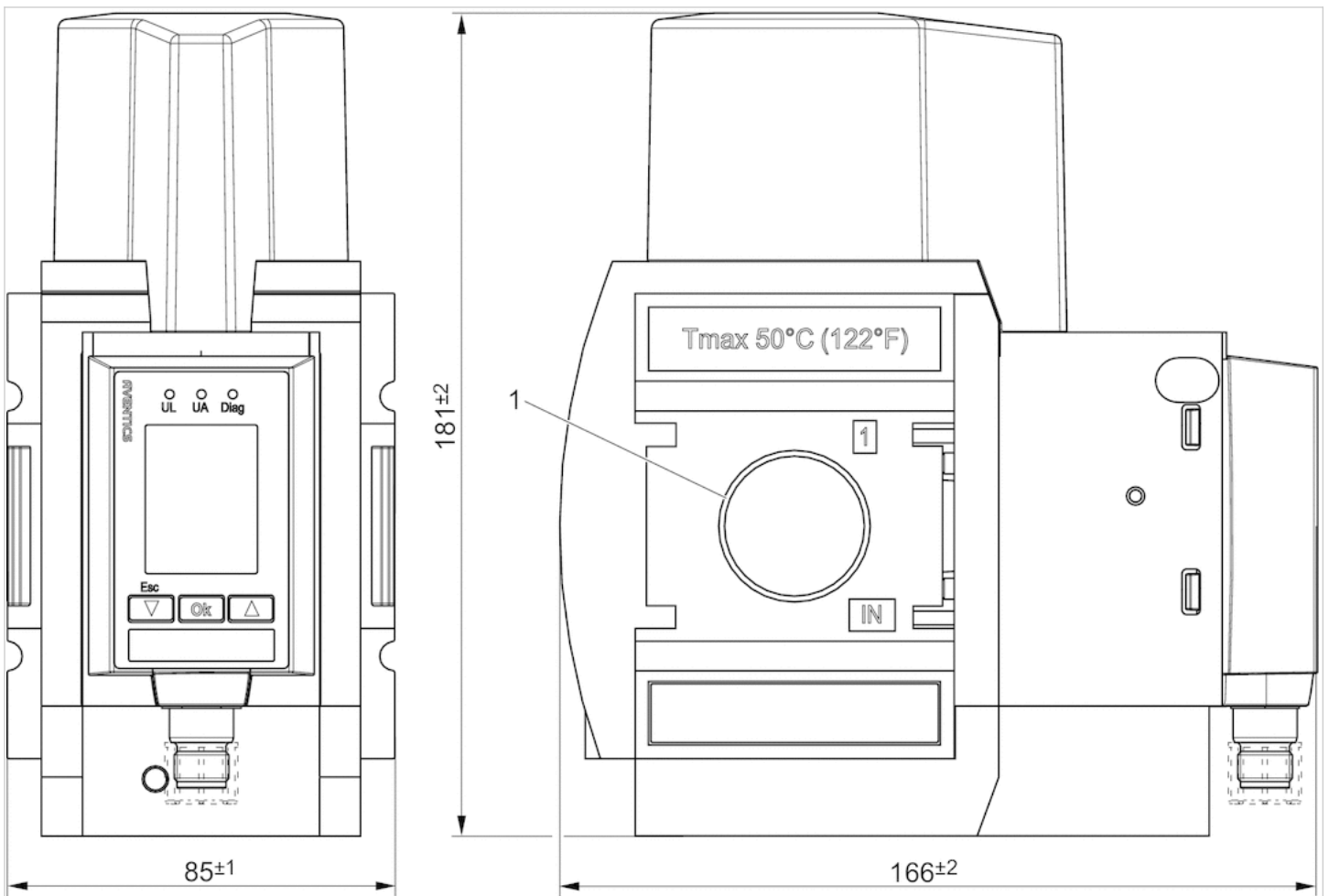
Power outage: maintain pressure

Technical information

Material	
Housing	Polyamide
Base plate	Aluminum
Seals	Nitrile butadiene rubber

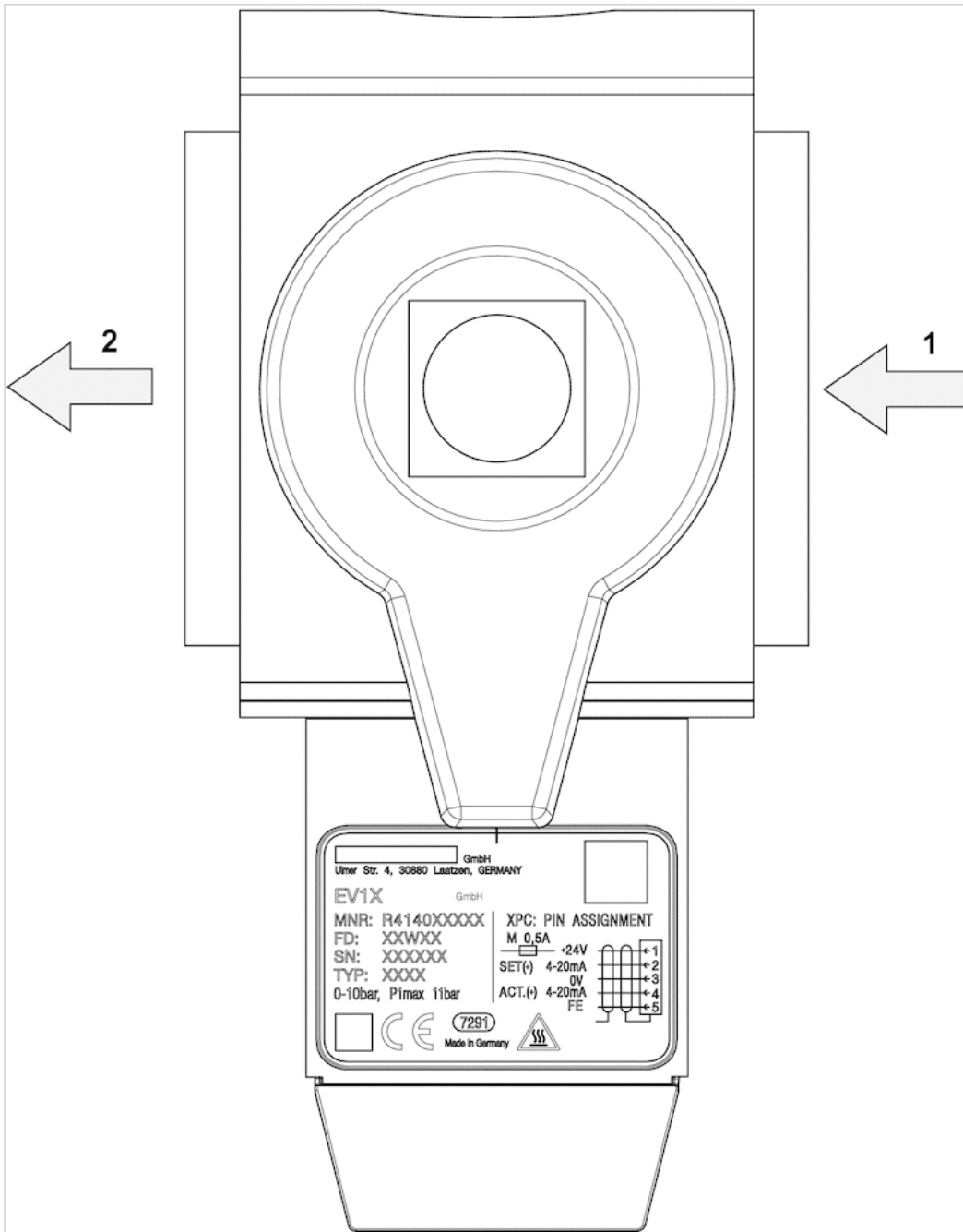
Dimensions

Dimensions



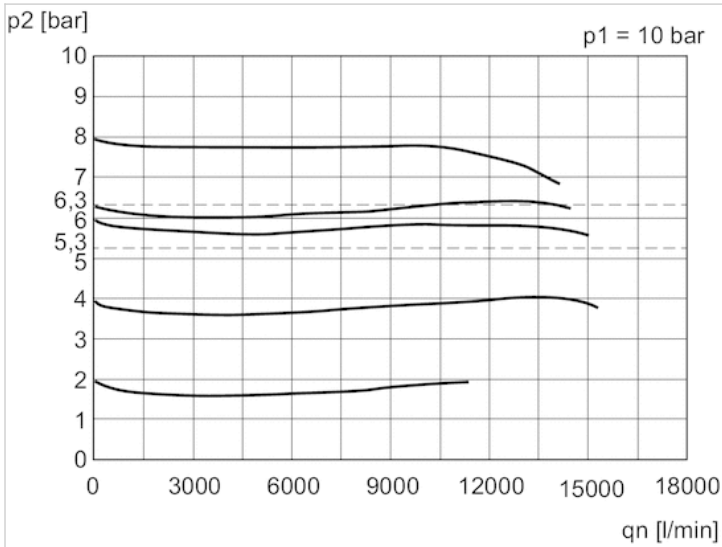
1) Connection thread

Pressure supply, right



Diagrams

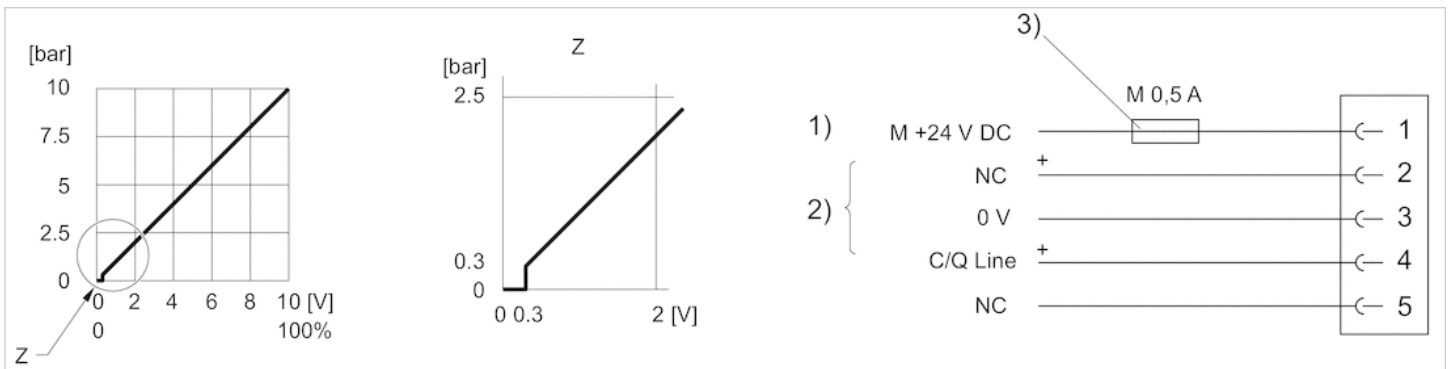
Flow characteristic curve



p1 = Working pressure
 p2 = Secondary pressure
 qn = Nominal flow

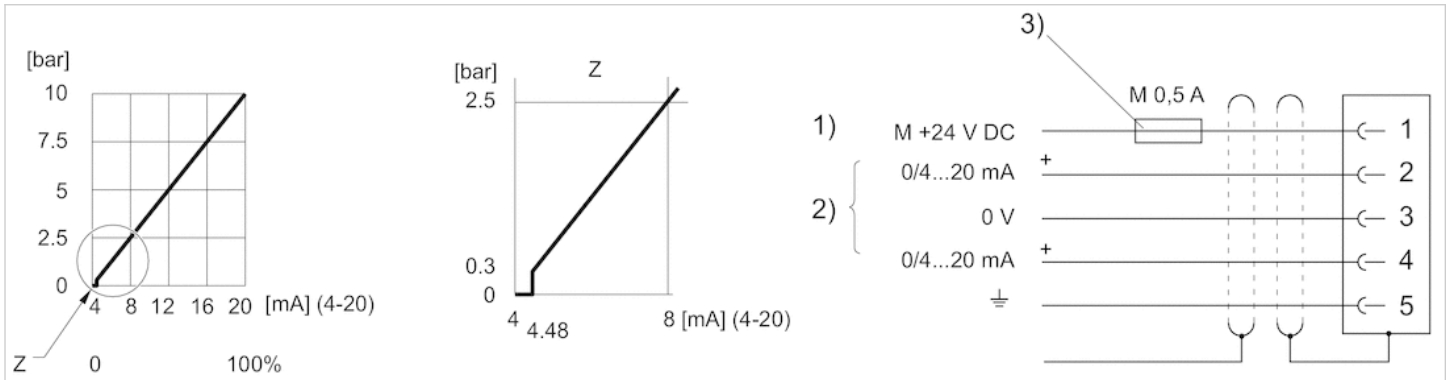
Circuit diagram

Characteristic curve and plug assignment for IO-Link version



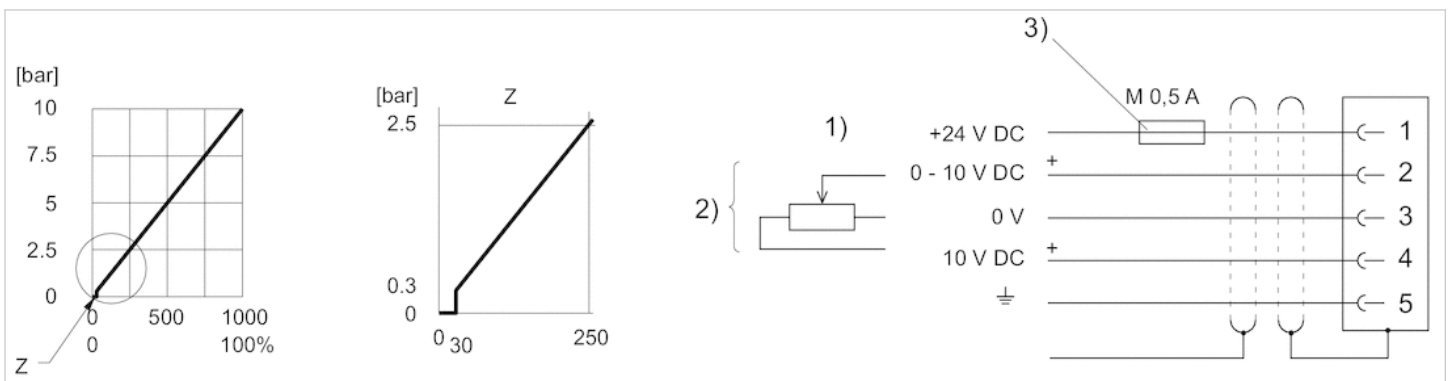
- 1) power supply
 - 2) C/Q Line (pin 4) Not connected (NC) (pin 2) are related to 0 V (pin 3).
 - 3) The power supply must be protected by an external M 0.5 A fuse.
- Connect the plug via a shielded cable to ensure EMC.

Characteristic and pin assignment for current control with actual output value



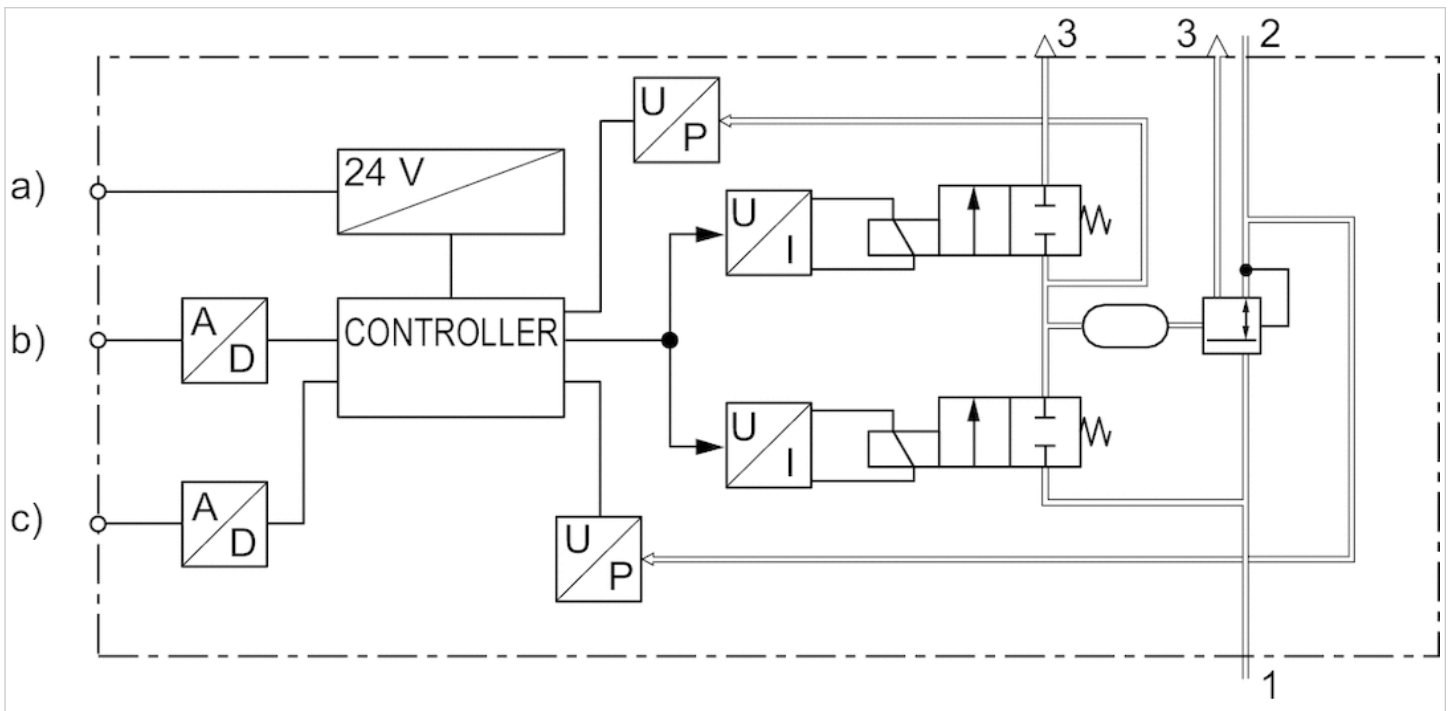
- 1) power supply
- 2) Actual value (pin 4) and nominal value (pin 2) are related to 0 V (pin 3). Nominal input value (ohmic load 100 Ω), actual output value: external ohmic load 300 Ω. If the power supply is switched off, the nominal input value is high-ohmic.
- 3) The power supply must be protected by an external M 0.5 A fuse. Connect the plug via a shielded cable to ensure EMC.

Characteristic and pin assignment for voltage control with actual output value



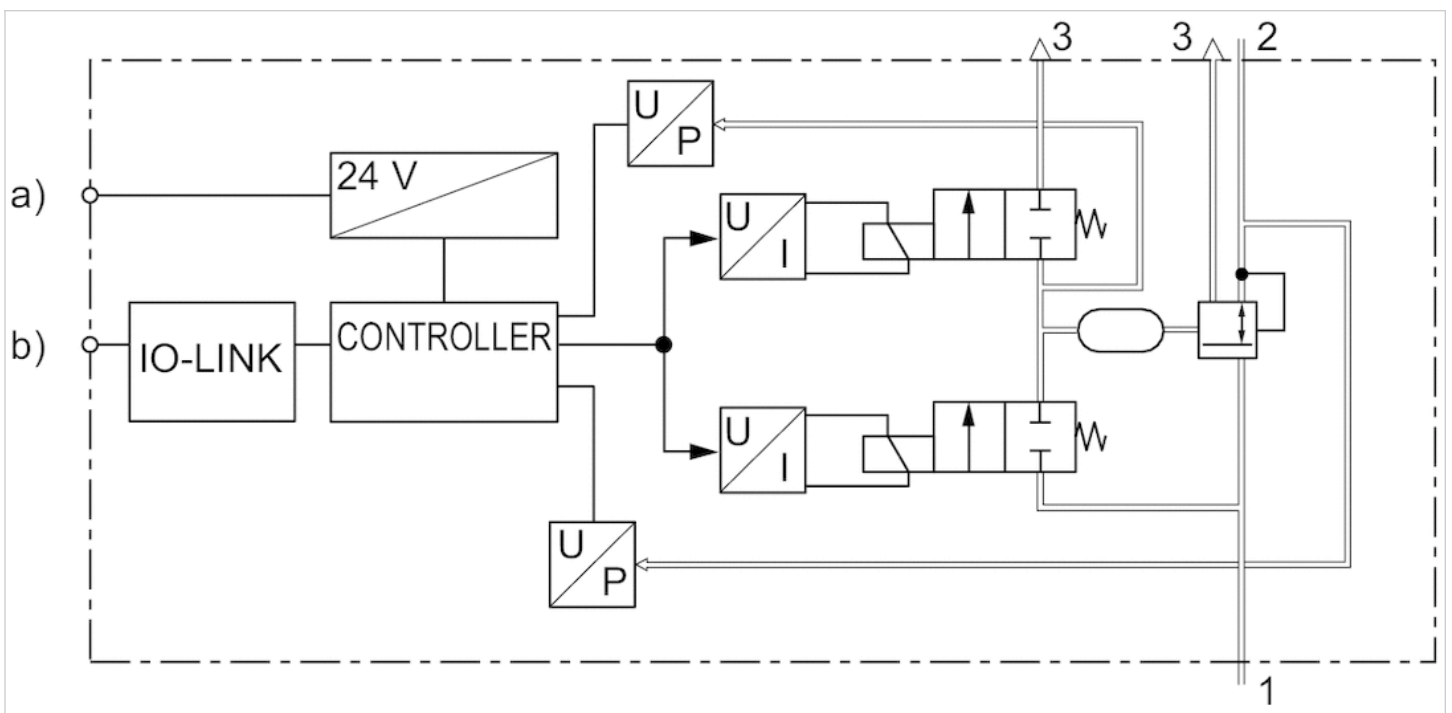
- 1) power supply
- 2) Actual value (pin 4) and nominal value (pin 2) are related to 0 V (pin 3). Nominal input value (R = 1 MΩ), actual output value: min. load resistance > 10 KΩ. If the power supply is switched off, the nominal input value is high-ohmic.
- 3) The power supply must be protected by an external M 0.5 A fuse. Connect the plug via a shielded cable to ensure EMC.

Functional diagram



- a) Voltage supply
- b) Nominal value
- c) Actual output value

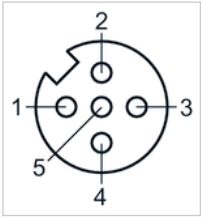
Functional diagram, IO-Link



- a) Supply Voltage
- b) C/Q Line

Pin assignments

Plug assignment



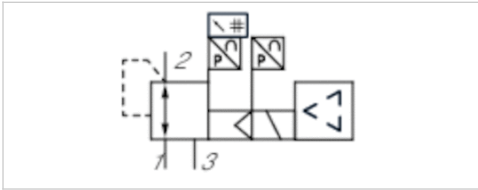
- 1) 24 V DC
- 2) Nominal input value
- 3) GND
- 4) Actual output value
- 5) Ground

E/P pressure regulator, Series EV18

- Pressure supply, left, Display: display
- $Q_n = 16500$ l/min
- Compressed air connection output G 1 G 3/4
- Electr. connection M12, 5-pin, A-coded
- serial control IO-Link
- Pilot valves



Version	Poppet valve
Working pressure max	11 bar
Ambient temperature min./max.	0 ... 50 °C
Medium temperature min./max.	0 ... 50 °C
Max. particle size	50 µm
Oil content of compressed air	0 ... 5 mg/m ³
Nominal flow Q_n	16500 l/min
DC operating voltage	24 V
Voltage tolerance DC	-20% / +30%
Hysteresis	0.12 bar
Permissible ripple	5%
Max. power consumption	220 mA
Weight	2.15 kg



Technical data

Part No.	Pressure setting range min./max.	Compressed air connection
		Input
R414011409	0 ... 10 bar	G 1
R414011410	0 ... 10 bar	G 1
R414011413	0 ... 10 bar	G 1
R414011415	0 ... 10 bar	G 3/4
R414011416	0 ... 10 bar	G 3/4
R414011419	0 ... 10 bar	G 3/4

Part No.	Compressed air connection	Nominal input value	Actual output value	serial control
	Output	Min./max.	Min./max.	
R414011409	G 1	0 ... 10 V	0 ... 10 V	-
R414011410	G 1	4 ... 20 mA	4 ... 20 mA	-
R414011413	G 1	-	-	IO-Link
R414011415	G 3/4	0 ... 20 mA	0 ... 10 V	-
R414011416	G 3/4	4 ... 20 mA	4 ... 20 mA	-
R414011419	G 3/4	-	-	IO-Link

Technical information

The min. control pressure must be adhered to, since otherwise faulty switching and valve failure may result!
 The pressure dew point must be at least 15 °C under ambient and medium temperature and may not exceed 3 °C .
 The oil content of compressed air must remain constant during the life cycle.
 Use only the approved oils from AVENTICS. Further information can be found in the “Technical information” document (available in the MediaCentre).

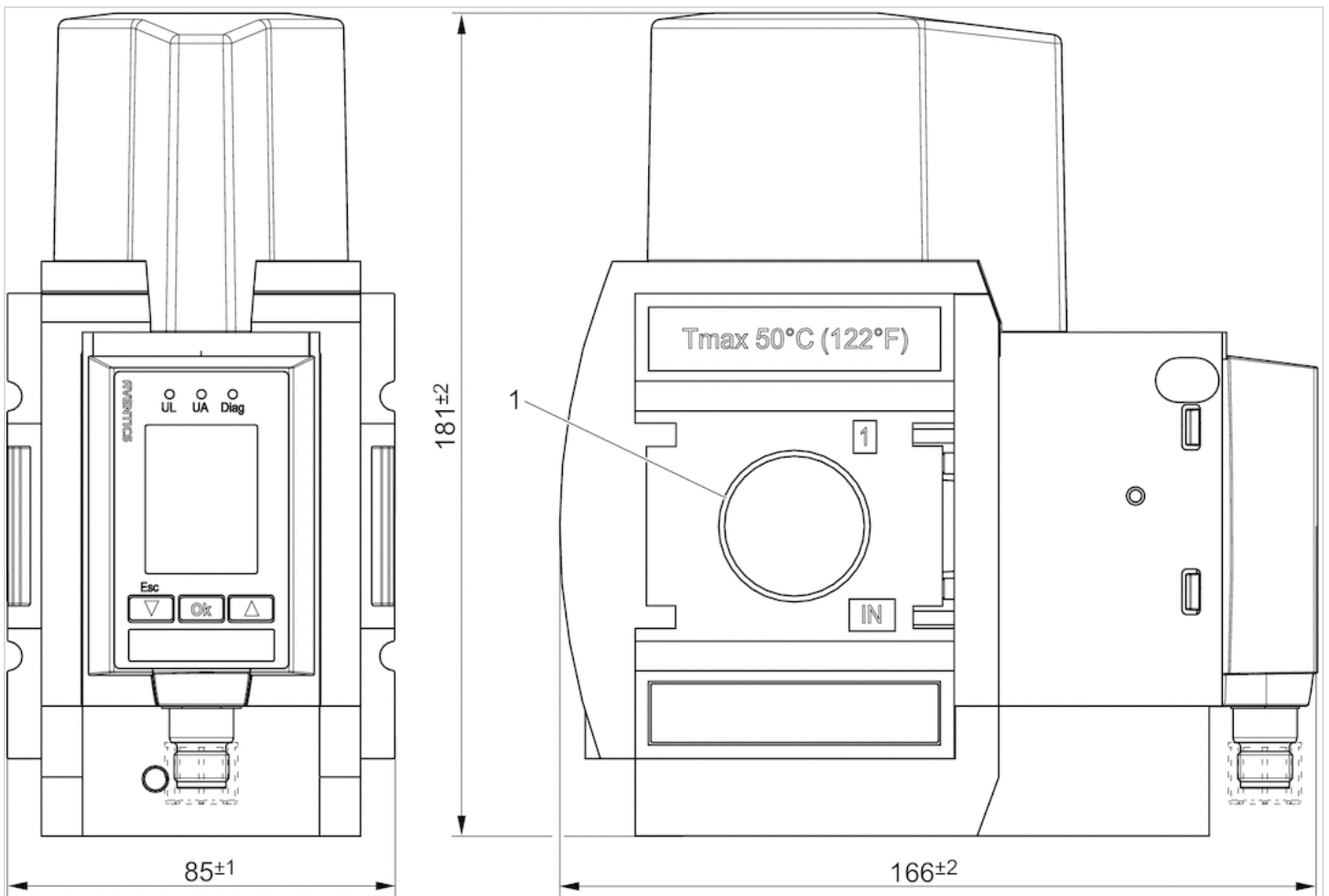
Power outage: maintain pressure

Technical information

Material	
Housing	Polyamide
Base plate	Aluminum
Seals	Nitrile butadiene rubber

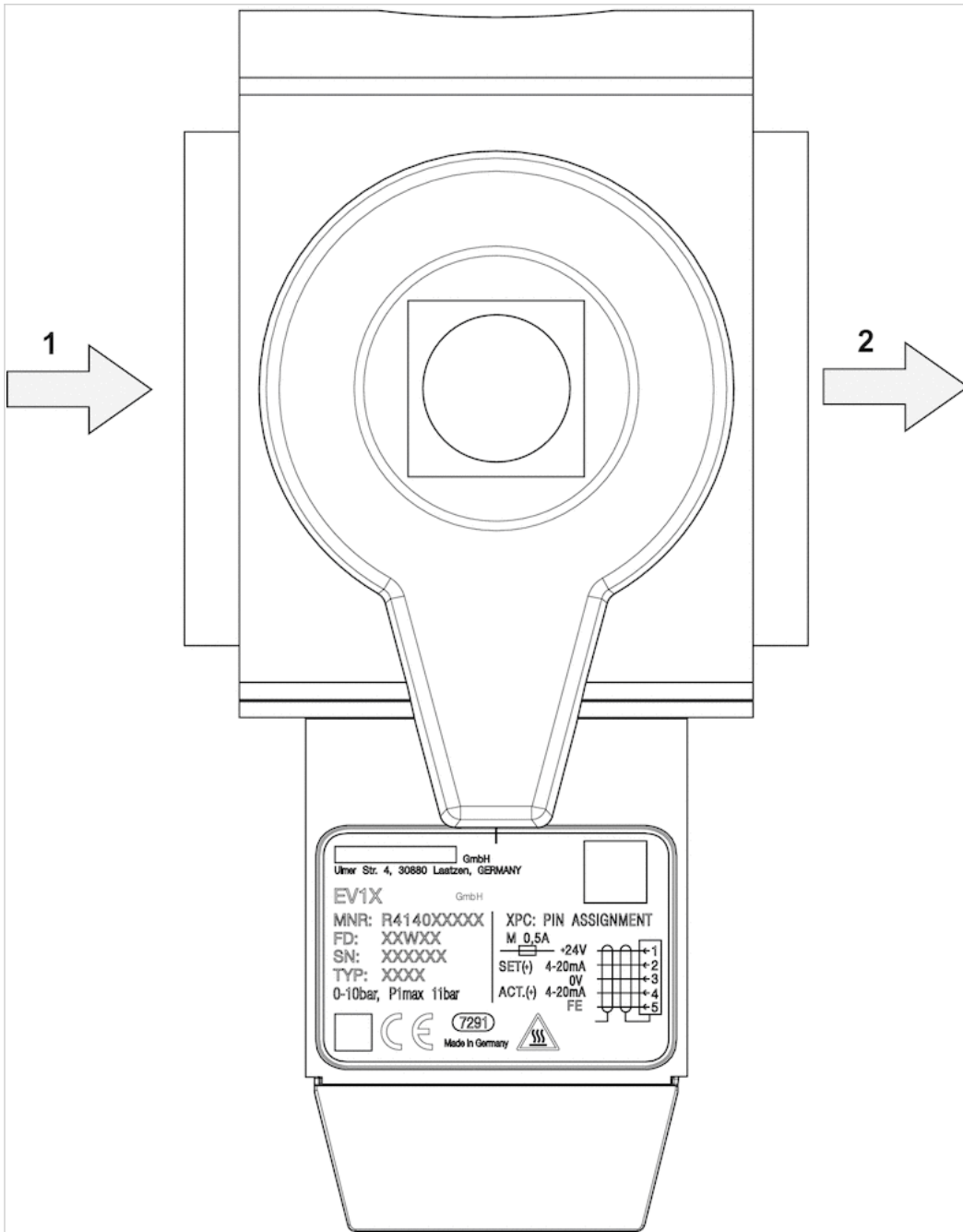
Dimensions

Dimensions



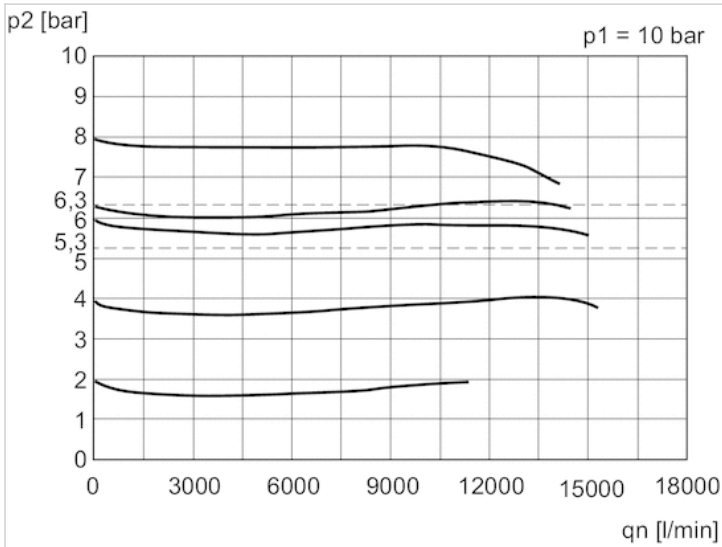
1) Connection thread

Pressure supply, left



Diagrams

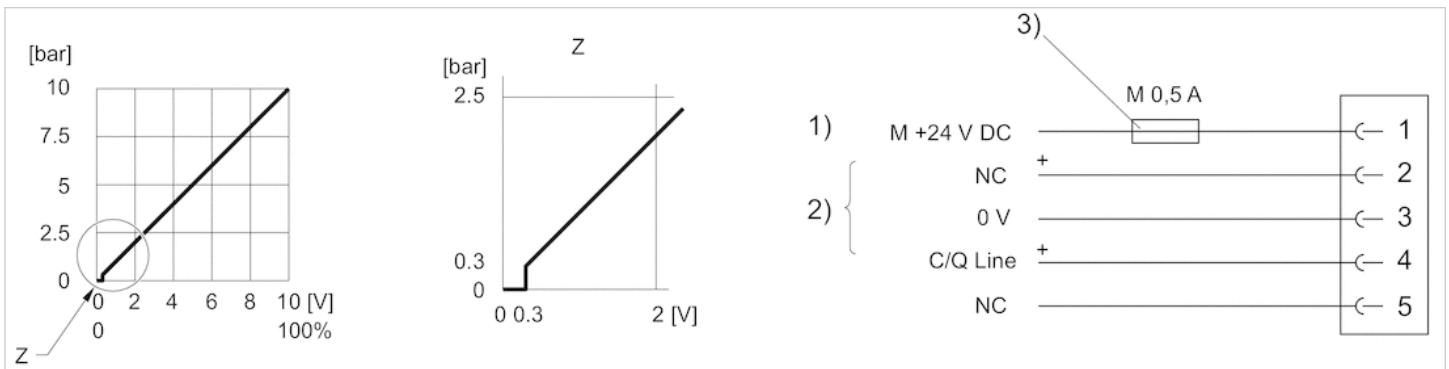
Flow characteristic curve



p_1 = Working pressure
 p_2 = Secondary pressure
 q_n = Nominal flow

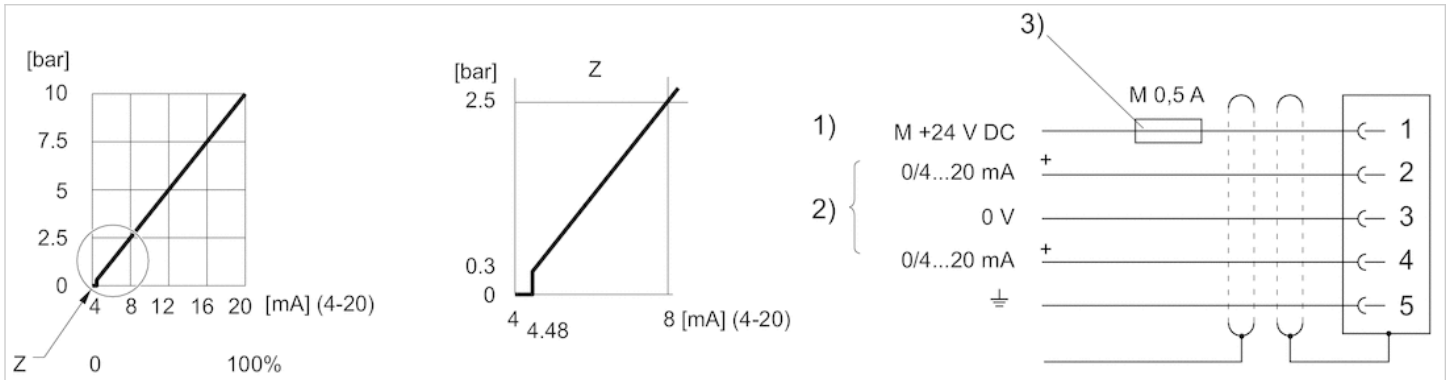
Circuit diagram

Characteristic curve and plug assignment for IO-Link version



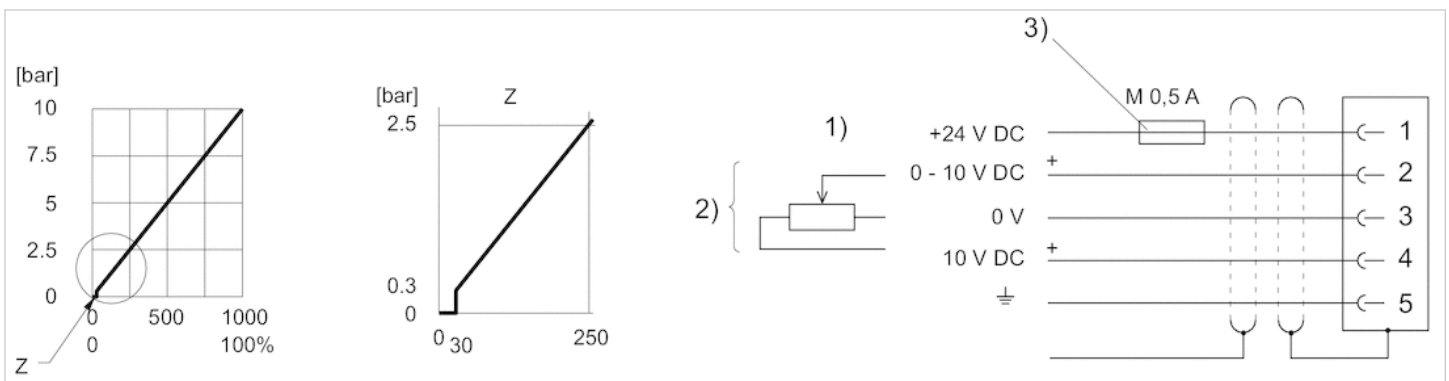
- 1) power supply
 - 2) C/Q Line (pin 4) Not connected (NC) (pin 2) are related to 0 V (pin 3).
 - 3) The power supply must be protected by an external M 0.5 A fuse.
- Connect the plug via a shielded cable to ensure EMC.

Characteristic and pin assignment for current control with actual output value



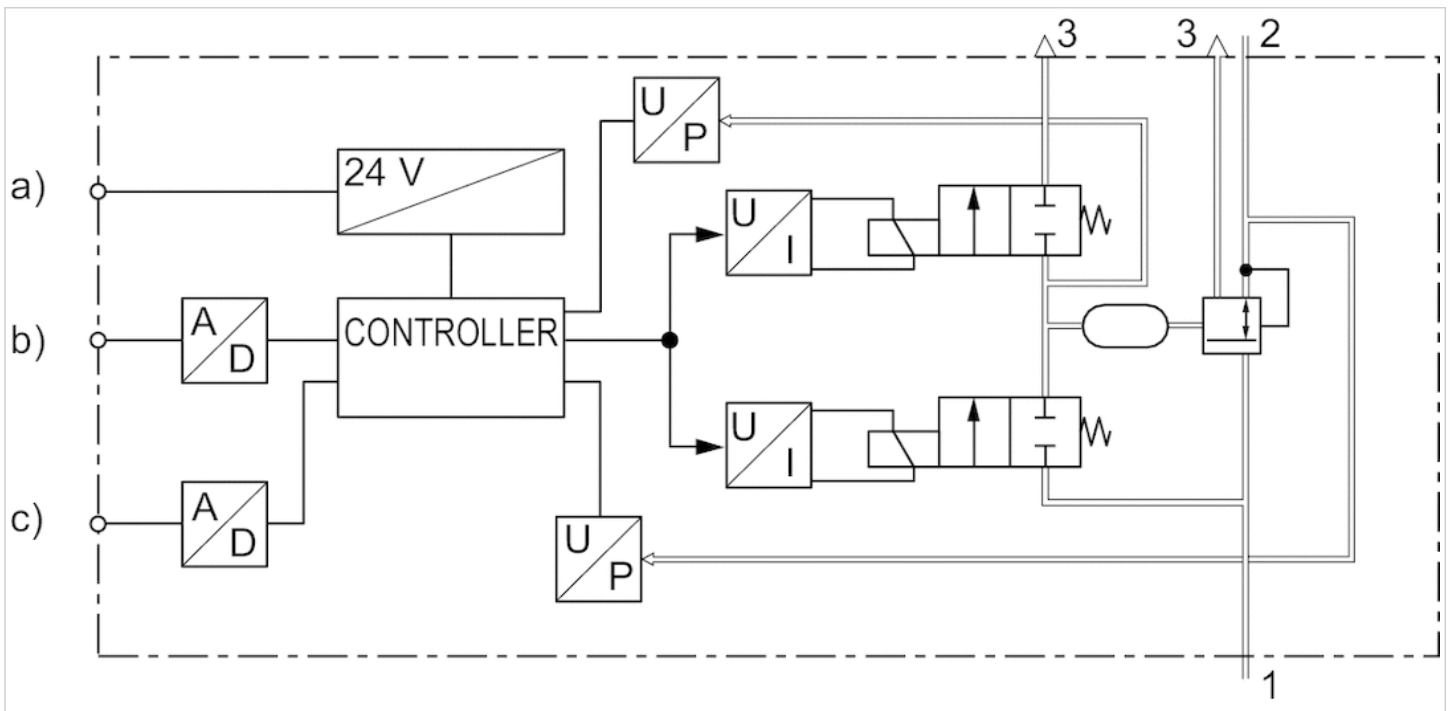
- 1) power supply
- 2) Actual value (pin 4) and nominal value (pin 2) are related to 0 V (pin 3). Nominal input value (ohmic load 100 Ω), actual output value: external ohmic load 300 Ω. If the power supply is switched off, the nominal input value is high-ohmic.
- 3) The power supply must be protected by an external M 0.5 A fuse. Connect the plug via a shielded cable to ensure EMC.

Characteristic and pin assignment for voltage control with actual output value



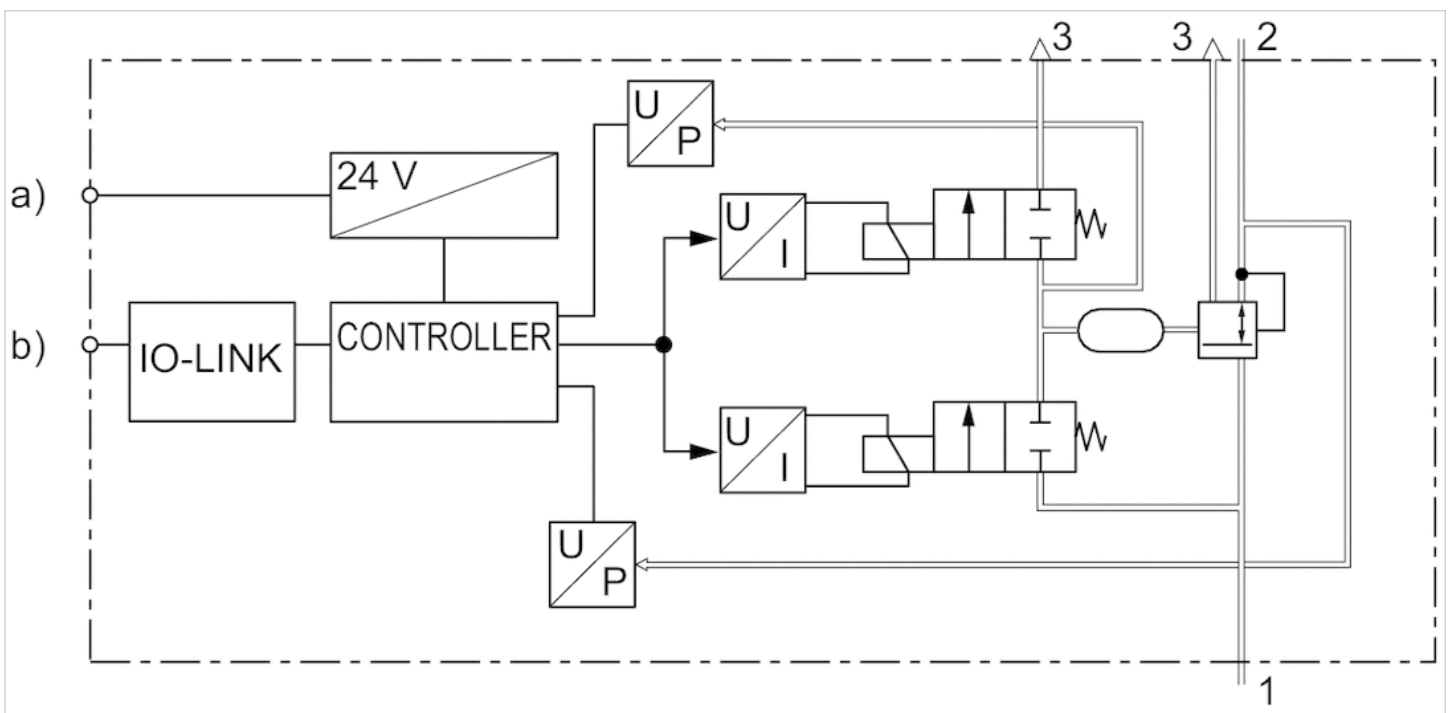
- 1) power supply
- 2) Actual value (pin 4) and nominal value (pin 2) are related to 0 V (pin 3). Nominal input value (R = 1 MΩ), actual output value: min. load resistance > 10 KΩ. If the power supply is switched off, the nominal input value is high-ohmic.
- 3) The power supply must be protected by an external M 0.5 A fuse. Connect the plug via a shielded cable to ensure EMC.

Functional diagram



- a) Voltage supply
- b) Nominal value
- c) Actual output value

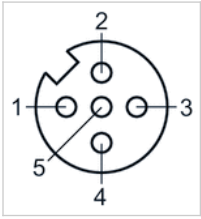
Functional diagram, IO-Link



- a) Supply Voltage
- b) C/Q Line

Pin assignments

Plug assignment



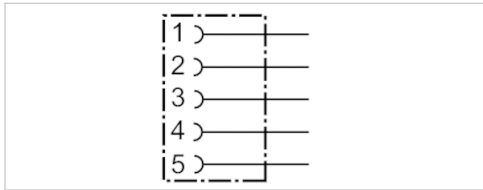
- 1) 24 V DC
- 2) Nominal input value
- 3) GND
- 4) Actual output value
- 5) Ground

Round plug connector, Series CON-RD

- Socket, M12x1, 5-pin, A-coded, angled, 90°
- for CANopen
- UL (Underwriters Laboratories)
- shielded



Connection type	Screws
Ambient temperature min./max.	-40 ... 85 °C
Operational voltage	48 V AC/DC
Protection class	IP67
Weight	0.072 kg



Technical data

Part No.	Max. current	suitable cable-Ø min./max
1824484029	4 A	6 / 8 mm

Technical information

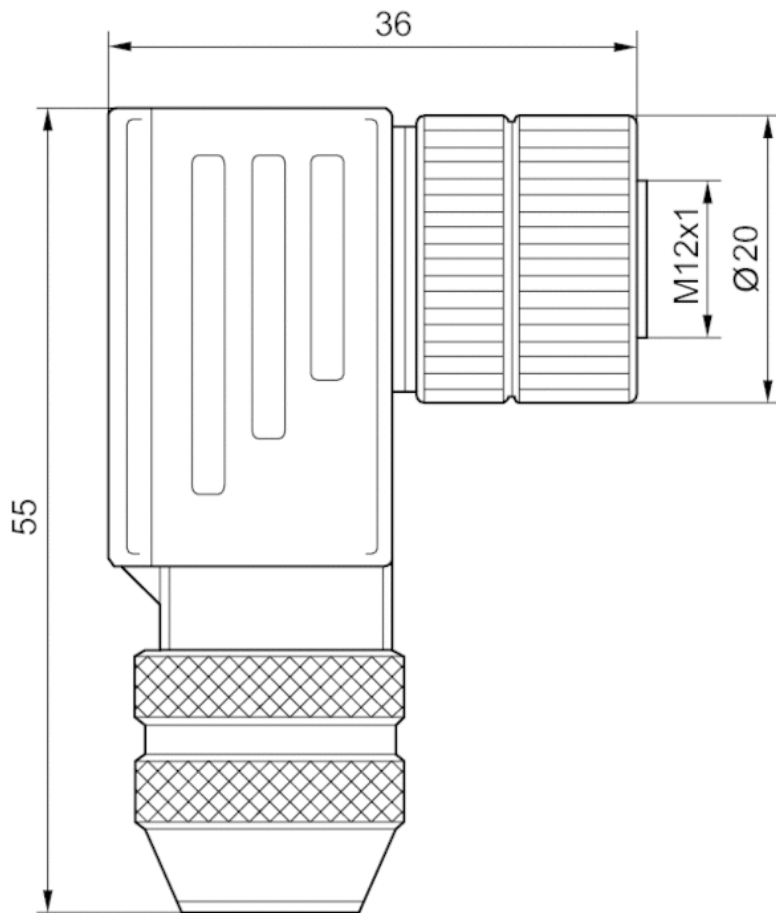
The specified protection class is only valid in assembled and tested state.

Technical information

Material	
Housing	Die cast zinc

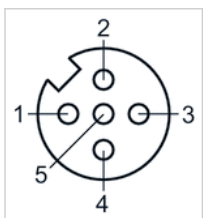
Dimensions

Dimensions



Pin assignments

Pin assignment, socket

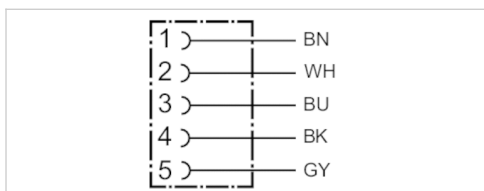


Round plug connector, Series CON-RD

- Socket M12x1 5-pin A-coded angled 90°
- open cable ends
- with cable
- shielded



Ambient temperature min./max.	-25 ... 80 °C
Operational voltage	48 V AC/DC
Protection class	IP67
Wire cross-section	0.34 mm ²
Weight	See table below



Technical data

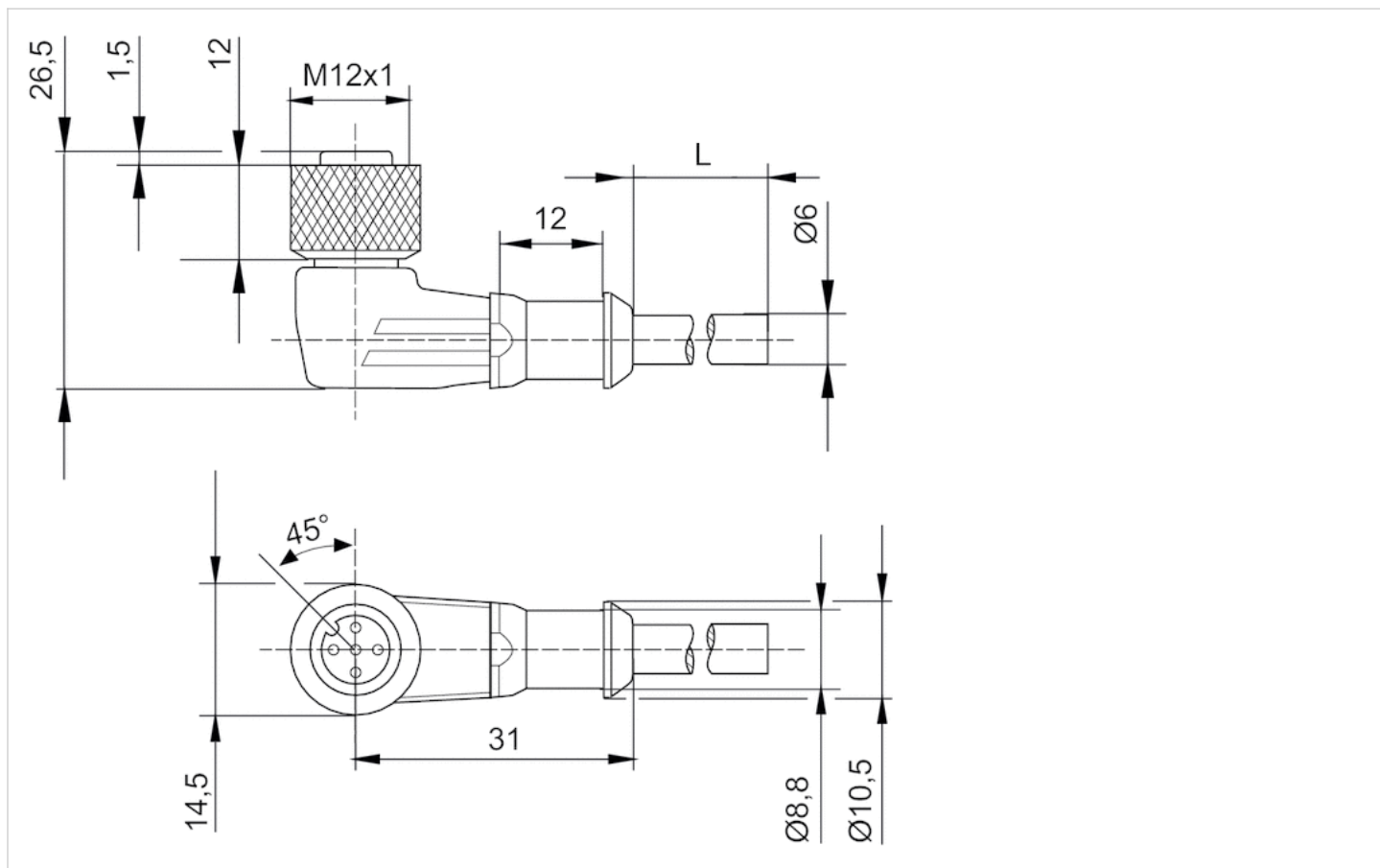
Part No.	Max. current	Number of wires	Cable-Ø	Cable length	Weight
R419800109	4 A	5	6 mm	2.5 m	0.145 kg
R419800110	4 A	5	6 mm	5 m	0.27 kg
R419800546	4 A	5	6 mm	10 m	0.514 kg

Technical information

Material	
Housing	Thermoplastic elastomer
Cable sheath	Polyurethane

Dimensions

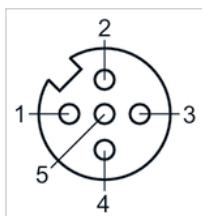
Dimensions



L = length

Pin assignments

Pin assignment, socket



- (1) BN=brown
- (2) WH=white
- (3) BU=blue
- (4) BK=black
- (5) GY=grey

Efficient pneumatic solutions, our program: cylinders and drives, valves and valve systems, air supply management



Visit us: [Emerson.com/Aventics](https://www.emerson.com/aventics)

Your local contact: [Emerson.com/contactus](https://www.emerson.com/contactus)



Emerson.com



[Facebook.com/EmersonAutomationSolutions](https://www.facebook.com/EmersonAutomationSolutions)



[LinkedIn.com/company/Emerson-Automation-Solutions](https://www.linkedin.com/company/Emerson-Automation-Solutions)



[Twitter.com/EMR_Automation](https://twitter.com/EMR_Automation)

An example configuration is depicted on the title page. The delivered product may thus vary from that in the illustration. Subject to change. This Document, as well as the data, specifications and other information set forth in it, are the exclusive property of AVENTICS GmbH. It may not be reproduced or given to third parties without its consent. Only use the AVENTICS products shown in industrial applications. Read the product documentation completely and carefully before using the product. Observe the applicable regulations and laws of the respective country. When integrating the product into applications, note the system manufacturer's specifications for safe use of the product. The data specified only serve to describe the product. No statements concerning a certain condition or suitability for a certain application can be derived from our information. The information given does not release the user from the obligation of own judgment and verification. It must be remembered that the products are subject to a natural process of wear and aging.

The Emerson logo is a trademark and service mark of Emerson Electric Co. Brand logotype are registered trademarks of one of the Emerson family of companies. All other marks are the property of their respective owners. © 2017 Emerson Electric Co. All rights reserved.
2019-03



CONSIDER IT SOLVED™