

Series FSO



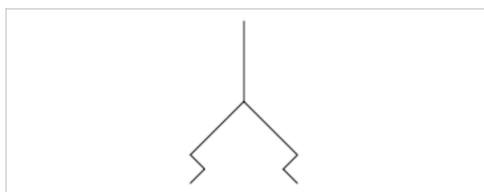
AVENTICS™ Series FSO



Oval suction gripper, Series FSO

- F = 0.42-1 N

- pluggable



Ambient temperature min./max.	-10 ... 70 °C
Min./max. temporary ambient temperature (30 s)	-30 ... 120 °C
Hardness according to standard	55 ± 5 Shore A
Abrasion value according to DIN 535 16	100-120 mm ³
Weight	0.001 kg

Technical data

Part No.	Holding force	Volume	Max. curving on object Rmin	Delivery unit
	*)			
1820455109	0.42 N	0.004 cm ³	1 mm	5 piece
1820455110	1 N	0.019 cm ³	3 mm	5 piece

*) Theoretical value at 60% vacuum level, without safety factor

Technical information

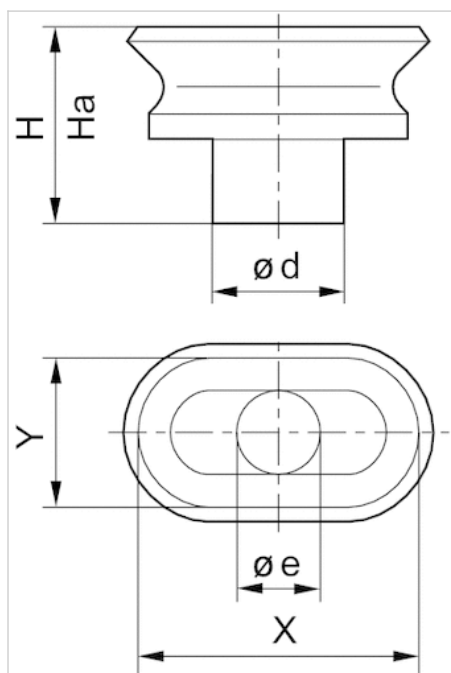
To be used on long, flat, and slightly curved surfaces.

Technical information

Material	
Vacuum	Acrylonitrile butadiene rubber

Dimensions

Dimensions



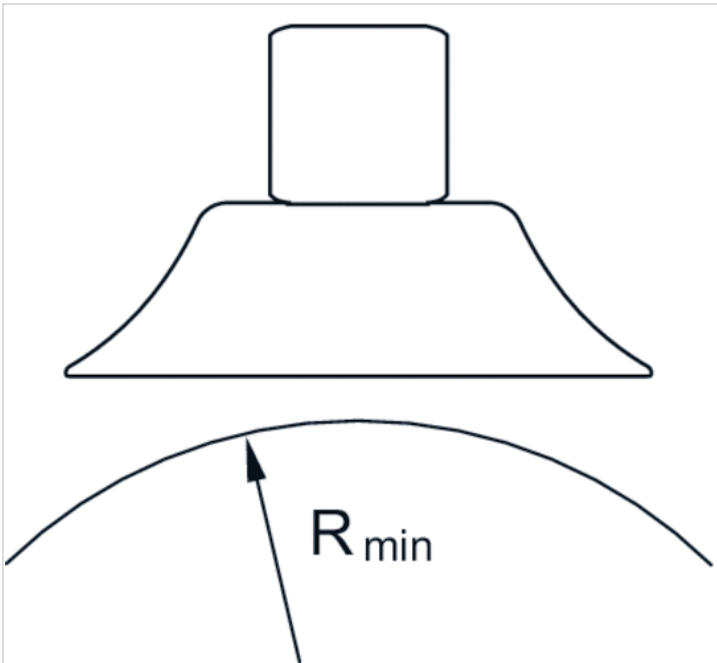
Dimensions

Part No.	X	Y	Ø e	Ø d	Ha*)	H
1820455109	4.2	2.2	1.2	2.2	2.5	3
1820455110	7	3.5	1.5	3.5	3.7	4.5

*) Height for vacuum operation

Diagrams

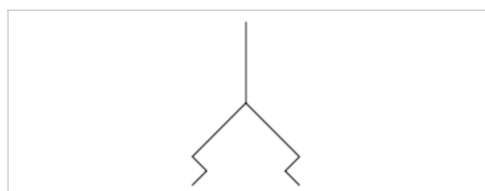
Max. curving on object R_{min}



Oval suction gripper, Series F50

- F = 3.1-112.6 N

- Internal thread



Ambient temperature min./max.	-10 ... 70 °C
Min./max. temporary ambient temperature (30 s)	-30 ... 120 °C
Hardness according to standard	60 ± 5 Shore A
Abrasion value according to DIN 535 16	100-120 mm ³
Weight	See table below

Technical data

Part No.	Compressed air connection	Holding force	Volume	Max. curving on object Rmin	Delivery unit
		*)			
1820415137	M5	3.1 N	0.036 cm ³	4 mm	1 piece
1820415138	M5	4.5 N	0.058 cm ³	4 mm	1 piece
1820415139	G 1/8	8 N	0.138 cm ³	8 mm	1 piece
1820415140	G 1/8	12.2 N	0.28 cm ³	8 mm	1 piece
1820415141	G 1/4	28.2 N	0.98 cm ³	10 mm	1 piece
1820415142	G 1/4	50.1 N	2.3 cm ³	20 mm	1 piece
1820415143	G 1/4	78.3 N	4.7 cm ³	30 mm	1 piece
1820415144	G 1/4	112.6 N	8.5 cm ³	35 mm	1 piece

Part No.	Weight
1820415137	0.004 kg
1820415138	0.004 kg
1820415139	0.007 kg
1820415140	0.007 kg
1820415141	0.014 kg
1820415142	0.018 kg
1820415143	0.026 kg
1820415144	0.035 kg

*) Theoretical value at 60% vacuum level, without safety factor

Technical information

To be used on long, flat, and slightly curved surfaces.

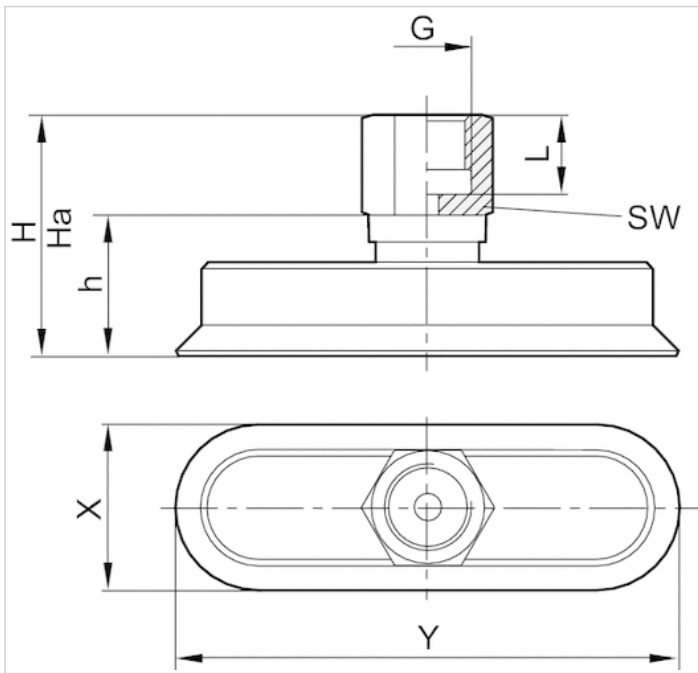
Technical information

Material

Connector	Aluminum
Vacuum	Acrylonitrile butadiene rubber

Dimensions

Dimensions



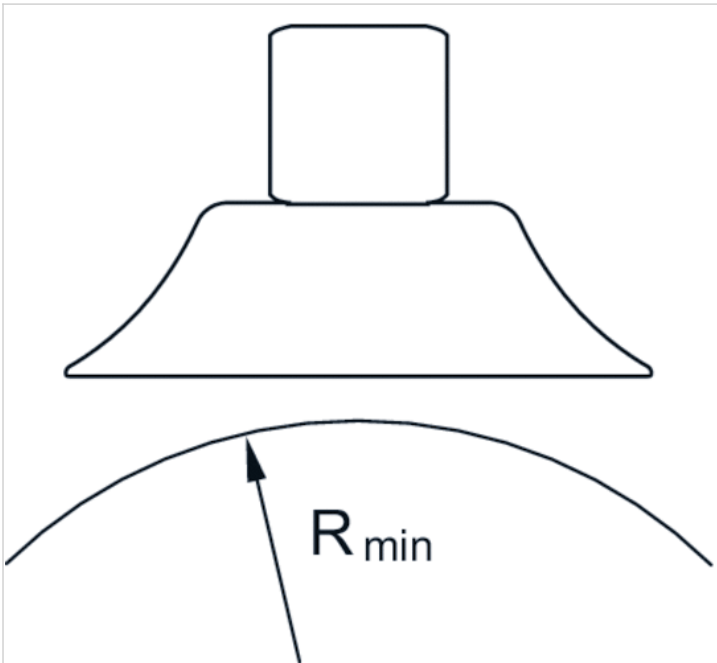
Dimensions

Part No.	X	Y	Ha*)	H	h	L	SW
1820415137	5	15	21.3	22	12	8.5	8
1820415138	6	18	21.2	22	12	8.5	8
1820415139	8	24	24	25	12	9	14
1820415140	10	30	23.5	25	12	9	14
1820415141	15	45	34	36	21	12	17
1820415142	20	60	33.5	36	21	12	17
1820415143	25	75	33.2	36	21	12	17
1820415144	30	90	32.5	36	21	12	17

*) Height for vacuum operation

Diagrams

Max. curving on object R_{min}

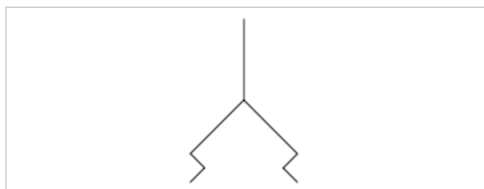


Oval suction gripper, Series F50

- F = 3.1-112.6 N
- Internal thread
- Heat resistant



Ambient temperature min./max.	-30 ... 180 °C
Min./max. temporary ambient temperature (30 s)	-50 ... 220 °C
Hardness according to standard	60 ± 5 Shore A
Abrasion value according to DIN 535 16	180-200 mm ³
Weight	See table below



Technical data

Part No.	Compressed air connection	Holding force	Volume	Max. curving on object Rmin	Delivery unit
		*)			
1820415145	M5	3.1 N	0.036 cm ³	4 mm	1 piece
1820415146	M5	4.5 N	0.058 cm ³	4 mm	1 piece
1820415147	G 1/8	8 N	0.138 cm ³	8 mm	1 piece
1820415148	G 1/8	12.2 N	0.28 cm ³	8 mm	1 piece
1820415149	G 1/4	28.2 N	0.98 cm ³	10 mm	1 piece
1820415150	G 1/4	50.1 N	2.3 cm ³	20 mm	1 piece
1820415151	G 1/4	78.3 N	4.7 cm ³	30 mm	1 piece
1820415152	G 1/4	112.6 N	8.5 cm ³	35 mm	1 piece

Part No.	Weight
1820415145	0.004 kg
1820415146	0.004 kg
1820415147	0.007 kg
1820415148	0.007 kg
1820415149	0.014 kg
1820415150	0.018 kg
1820415151	0.026 kg
1820415152	0.035 kg

*) Theoretical value at 60% vacuum level, without safety factor

Technical information

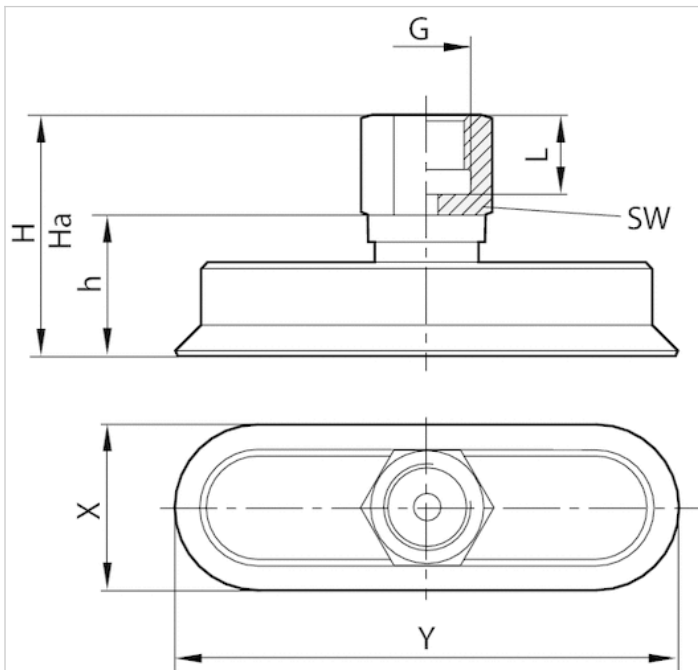
To be used on long, flat, and slightly curved surfaces.

Technical information

Material	
Connector	Aluminum
Vacuum	Fluoromethyl silicone

Dimensions

Dimensions



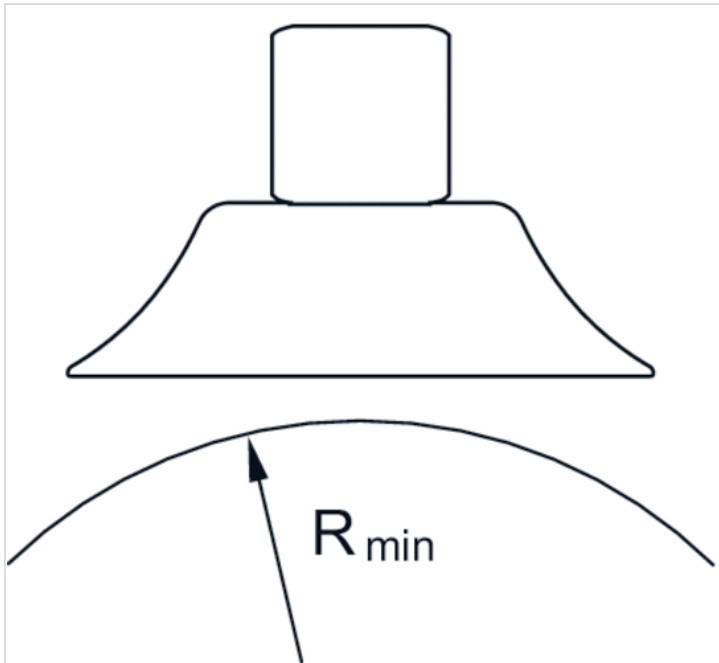
Dimensions

Part No.	G	X	Y	Ha*)	H	h	L	SW
1820415145	M5	5	15	21.3	22	12	8.5	8
1820415146	M5	6	18	21.2	22	12	8.5	8
1820415147	G 1/8	8	24	24	25	12	9	14
1820415148	G 1/8	10	30	23.5	25	12	9	14
1820415149	G 1/4	15	45	34	36	21	12	17
1820415150	G 1/4	20	60	33.5	36	21	12	17
1820415151	G 1/4	25	75	33.2	36	21	12	17
1820415152	G 1/4	30	90	32.5	36	21	12	17

*) Height for vacuum operation

Diagrams

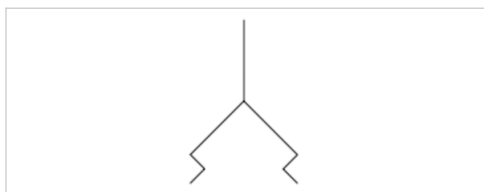
Max. curving on object Rmin



Oval suction gripper, Series F50

- F = 3.1-112.6 N

- External thread



Ambient temperature min./max.	-10 ... 70 °C
Min./max. temporary ambient temperature (30 s)	-30 ... 120 °C
Hardness according to standard	60 ± 5 Shore A
Abrasion value according to DIN 535 16	100-120 mm ³
Weight	See table below

Technical data

Part No.	Compressed air connection	Holding force	Volume	Max. curving on object Rmin	Delivery unit
		*)			
1820415121	M5	3.1 N	0.036 cm ³	4 mm	1 piece
1820415122	M5	4.5 N	0.058 cm ³	4 mm	1 piece
1820415123	G 1/8	8 N	0.138 cm ³	8 mm	1 piece
1820415124	G 1/8	12.2 N	0.28 cm ³	8 mm	1 piece
1820415125	G 1/4	28.2 N	0.98 cm ³	10 mm	1 piece
1820415126	G 1/4	50.1 N	2.3 cm ³	20 mm	1 piece
1820415127	G 1/4	78.3 N	4.7 cm ³	30 mm	1 piece
1820415128	G 1/4	112.6 N	8.5 cm ³	35 mm	1 piece

Part No.	Weight
1820415121	0.004 kg
1820415122	0.004 kg
1820415123	0.007 kg
1820415124	0.007 kg
1820415125	0.014 kg
1820415126	0.018 kg
1820415127	0.026 kg
1820415128	0.035 kg

*) Theoretical value at 60% vacuum level, without safety factor

Technical information

To be used on long, flat, and slightly curved surfaces.

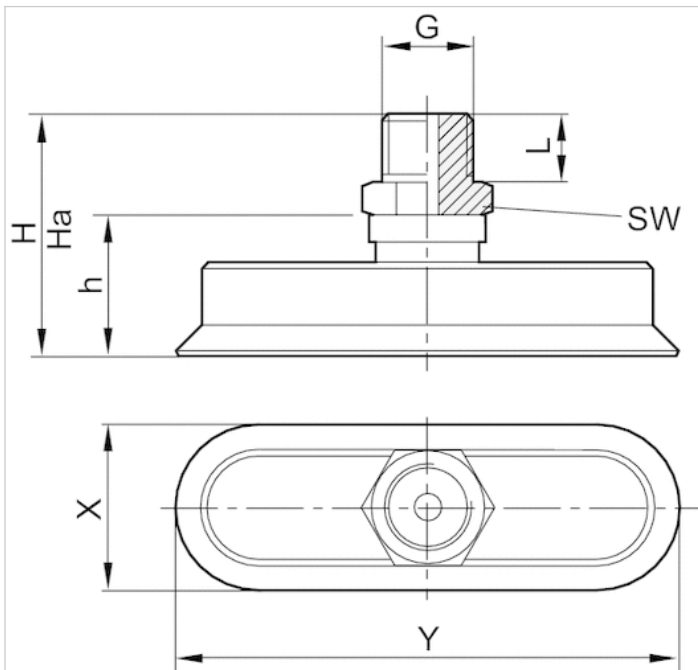
Technical information

Material

Connector	Aluminum
Vacuum	Acrylonitrile butadiene rubber

Dimensions

Dimensions



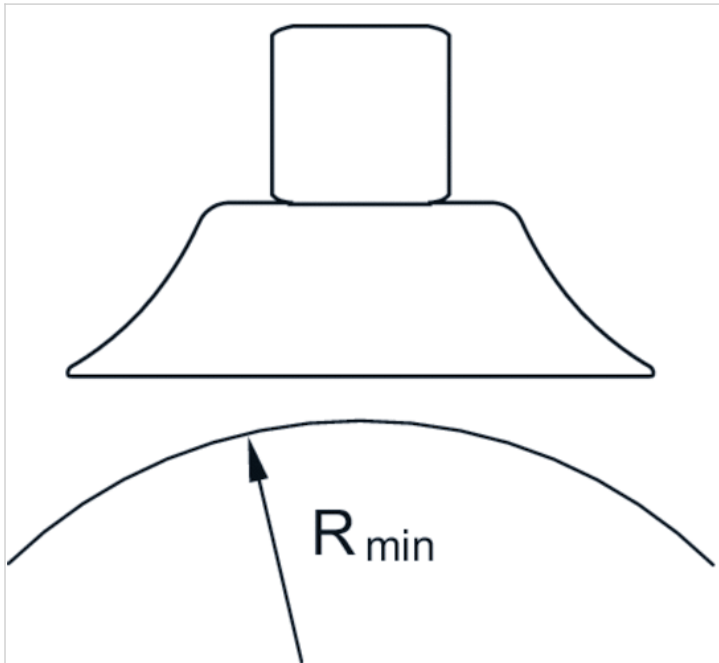
Dimensions

Part No.	G	X	Y	Ha*)	H	h	L	SW
1820415121	M5	5	15	21.3	22	12	5	8
1820415122	M5	6	18	21.2	22	12	5	8
1820415123	G 1/8	8	24	24	25	12	8	14
1820415124	G 1/8	10	30	23.5	25	12	8	14
1820415125	G 1/4	15	45	34	36	21	10	17
1820415126	G 1/4	20	60	33.5	36	21	10	17
1820415127	G 1/4	25	75	33.2	36	21	10	17
1820415128	G 1/4	30	90	32.5	36	21	10	17

*) Height for vacuum operation

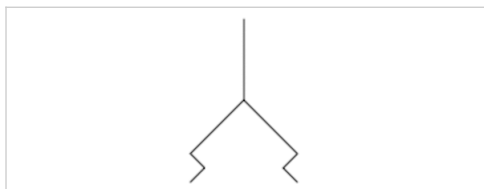
Diagrams

Max. curving on object R_{min}



Oval suction gripper, Series F50

- F = 3.1-112.6 N
- External thread
- Heat resistant



Ambient temperature min./max.	-30 ... 180 °C
Min./max. temporary ambient temperature (30 s)	-50 ... 220 °C
Hardness according to standard	60 ± 5 Shore A
Abrasion value according to DIN 535 16	180-200 mm ³
Weight	See table below

Technical data

Part No.	Compressed air connection	Holding force	Volume	Max. curving on object Rmin	Delivery unit
		*)			
1820415129	M5	3.1 N	0.036 cm ³	4 mm	1 piece
1820415130	M5	4.5 N	0.058 cm ³	4 mm	1 piece
1820415131	G 1/8	8 N	0.138 cm ³	8 mm	1 piece
1820415132	G 1/8	12.2 N	0.28 cm ³	8 mm	1 piece
1820415133	G 1/4	28.2 N	0.98 cm ³	10 mm	1 piece
1820415134	G 1/4	50.1 N	2.3 cm ³	20 mm	1 piece
1820415135	G 1/4	78.3 N	4.7 cm ³	30 mm	1 piece
1820415136	G 1/4	112.6 N	8.5 cm ³	35 mm	1 piece

Part No.	Weight
1820415129	0.004 kg
1820415130	0.004 kg
1820415131	0.007 kg
1820415132	0.007 kg
1820415133	0.014 kg
1820415134	0.018 kg
1820415135	0.026 kg
1820415136	0.035 kg

*) Theoretical value at 60% vacuum level, without safety factor

Technical information

To be used on long, flat, and slightly curved surfaces.

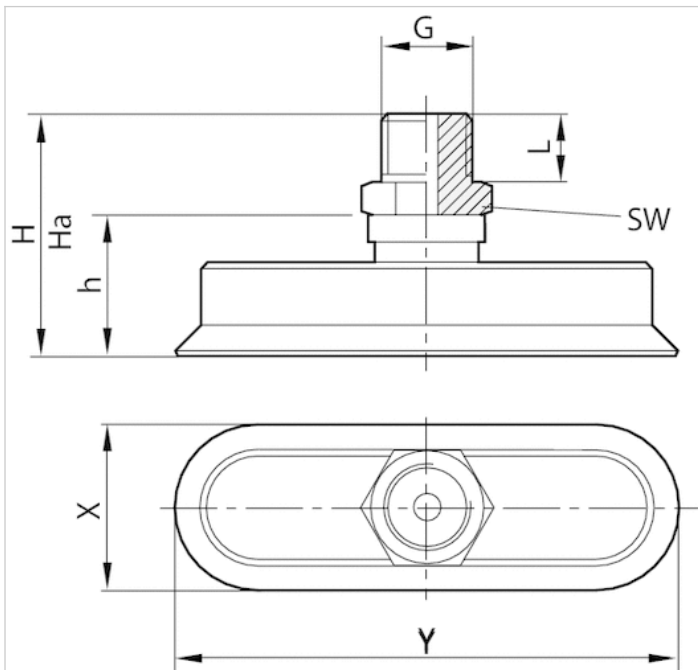
Technical information

Material

Connector	Aluminum
Vacuum	Fluoromethyl silicone

Dimensions

Dimensions



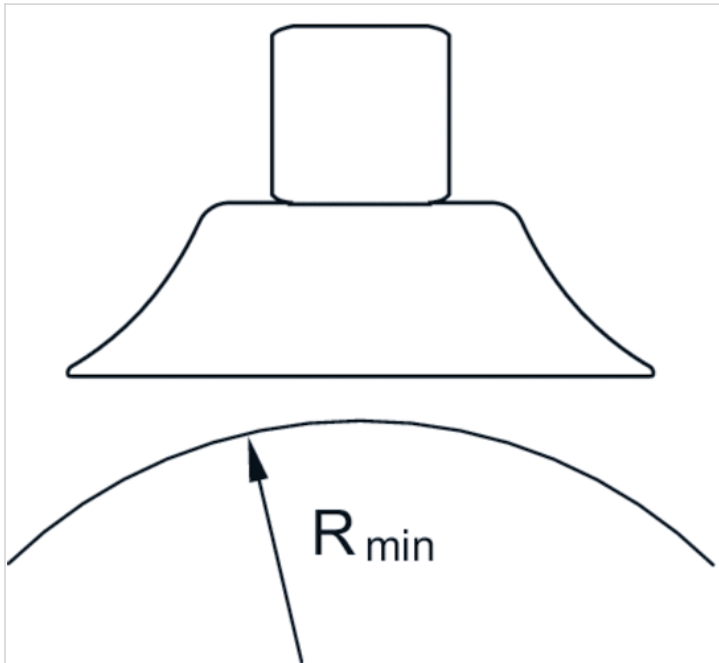
Dimensions

Part No.	G	X	Y	Ha*)	H	h	L	SW
1820415129	M5	5	15	21.3	22	12	5	8
1820415130	M5	6	18	21.2	22	12	5	8
1820415131	G 1/8	8	24	24	25	12	8	14
1820415132	G 1/8	10	30	23.5	25	12	8	14
1820415133	G 1/4	15	45	34	36	21	10	17
1820415134	G 1/4	20	60	33.5	36	21	10	17
1820415135	G 1/4	25	75	33.2	36	21	10	17
1820415136	G 1/4	30	90	32.5	36	21	10	17

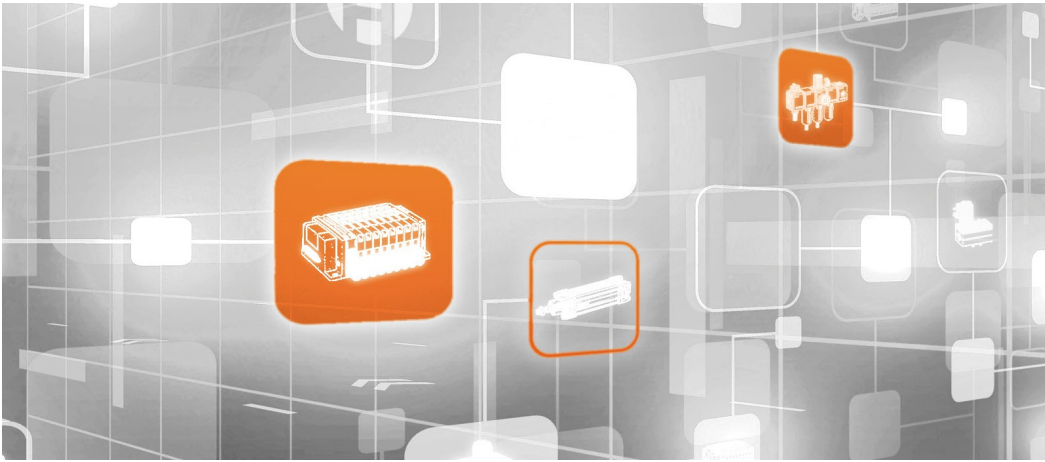
*) Height for vacuum operation

Diagrams

Max. curving on object R_{min}



Efficient pneumatic solutions, our program: cylinders and drives, valves and valve systems, air supply management



Visit us: [Emerson.com/Aventics](https://www.emerson.com/Aventics)

Your local contact: [Emerson.com/contactus](https://www.emerson.com/contactus)



[Emerson.com](https://www.emerson.com)



[Facebook.com/EmersonAutomationSolutions](https://www.facebook.com/EmersonAutomationSolutions)



[LinkedIn.com/company/Emerson-Automation-Solutions](https://www.linkedin.com/company/Emerson-Automation-Solutions)



[Twitter.com/EMR_Automation](https://twitter.com/EMR_Automation)

An example configuration is depicted on the title page. The delivered product may thus vary from that in the illustration. Subject to change. This Document, as well as the data, specifications and other information set forth in it, are the exclusive property of AVENTICS GmbH. It may not be reproduced or given to third parties without its consent. Only use the AVENTICS products shown in industrial applications. Read the product documentation completely and carefully before using the product. Observe the applicable regulations and laws of the respective country. When integrating the product into applications, note the system manufacturer's specifications for safe use of the product. The data specified only serve to describe the product. No statements concerning a certain condition or suitability for a certain application can be derived from our information. The information given does not release the user from the obligation of own judgment and verification. It must be remembered that the products are subject to a natural process of wear and aging.

The Emerson logo is a trademark and service mark of Emerson Electric Co. Brand logotype are registered trademarks of one of the Emerson family of companies. All other marks are the property of their respective owners. © 2017 Emerson Electric Co. All rights reserved.
2019-03



CONSIDER IT SOLVED™