

Series FSR



AVENTICS™ Series FSR

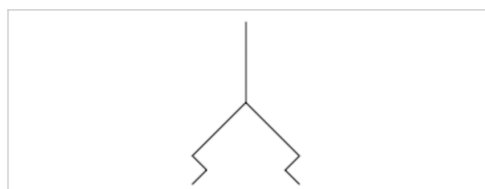


Flat suction gripper, Series FSR

- F = 16-2560 N
- external diameter 30-300 mm
- Internal thread



Ambient temperature min./max.	-10 ... 70 °C
Hardness according to standard	60 ± 5 Shore A
Abrasion value according to DIN 535 16	105 mm ³
Weight	See table below



Technical data

Part No.	Compressed air connection	external diameter	Holding force	Volume	Max. curving on object Rmin
			*)		
7320300000	M5	30 mm	16 N	2.5 cm ³	50 mm
7320500000	G 1/8	50 mm	64 N	8 cm ³	110 mm
7320750000	G 1/4	75 mm	160 N	28 cm ³	165 mm
7321000000	G 3/8	100 mm	304 N	56 cm ³	165 mm
7321500000	G 1/2	150 mm	608 N	160 cm ³	306 mm
7322250000	G 3/4	225 mm	1480 N	500 cm ³	465 mm
7323000000	G 1	300 mm	2560 N	1250 cm ³	758 mm

Part No.	Weight
7320300000	0.01 kg
7320500000	0.02 kg
7320750000	0.03 kg
7321000000	0.07 kg
7321500000	0.21 kg
7322250000	0.75 kg
7323000000	1.8 kg

*) Theoretical value at 60% vacuum level, without safety factor

Technical information

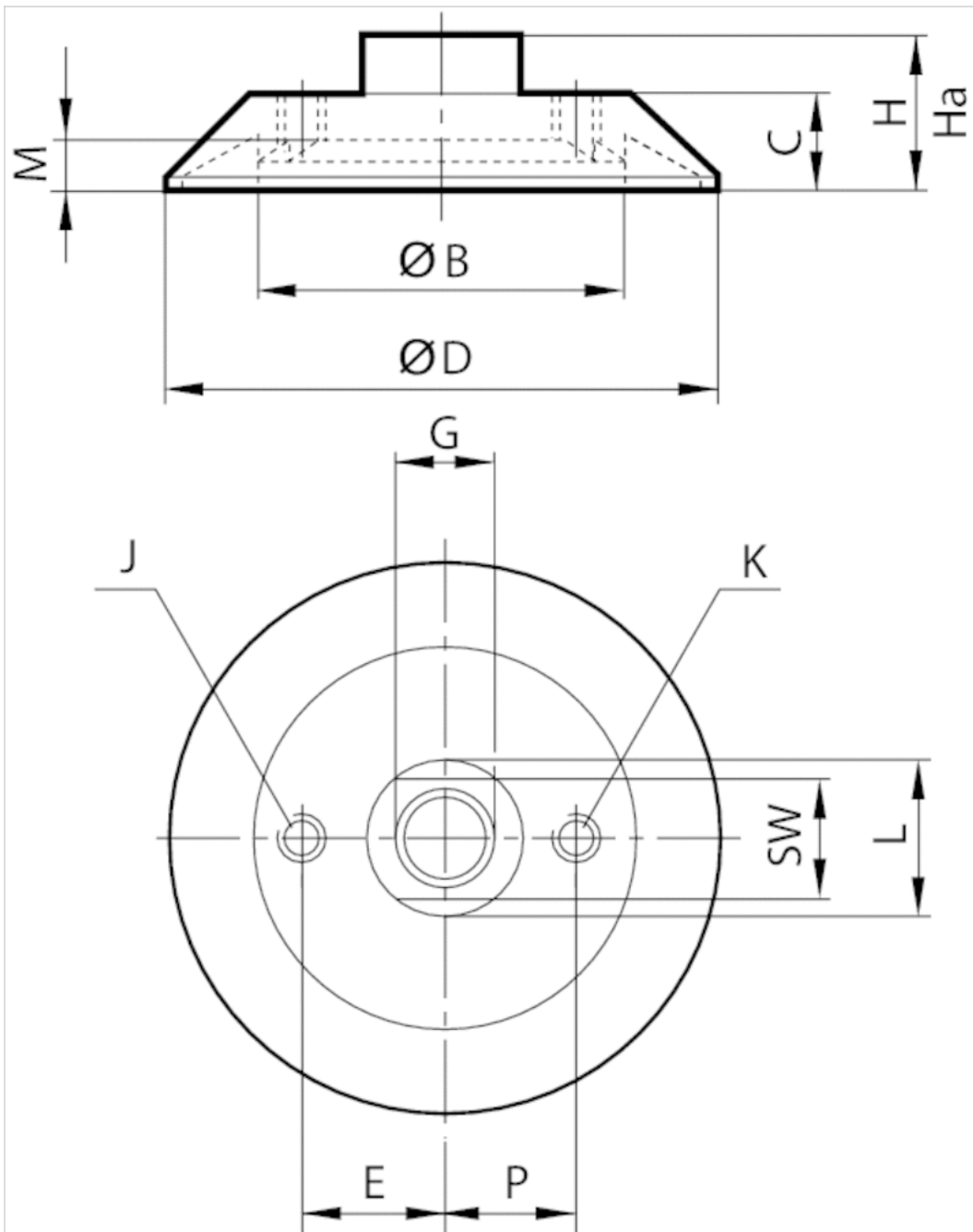
To be used on even, smooth, and rough surfaces.

Technical information

Material	
Connector	Aluminum
Vacuum	Chloroprene rubber

Dimensions

Dimensions



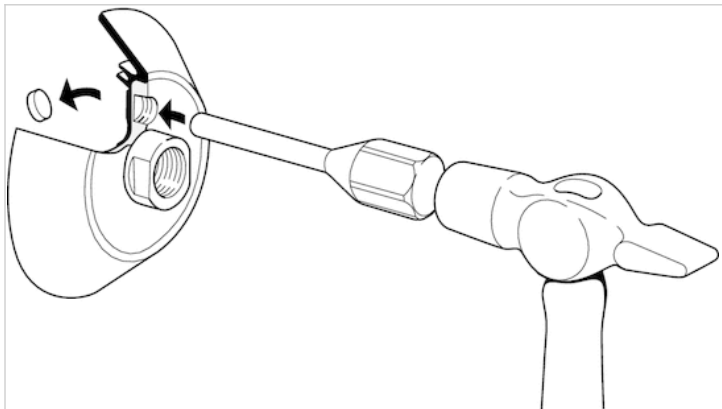
Dimensions

Part No.	ØD	G	ØB	C	E	H	Ha*)	J	K	L	M	P	SW
7320300000	30 mm	M5	13	10	-	17	14.5	-	-	10	3.5	-	8
7320500000	50 mm	G 1/8	31	11	-	18	13.5	-	-	18	5.5	-	14
7320750000	75 mm	G 1/4	49	14	-	22	16.5	-	-	22	7	-	17
7321000000	100 mm	G 3/8	65.5	18	-	28	21	-	G 1/8	24	8.5	20	21
7321500000	150 mm	G 1/2	96	26	-	42	33	-	G 1/8	35	12	30	27
7322250000	225 mm	G 3/4	149	34	-	54	43	-	G 1/8	50	14	50	41
7323000000	300 mm	G 1	200	44	70	70	55	G 1/2	G 1/8	56	19	60	46

*) Height for vacuum operation

Dimensions

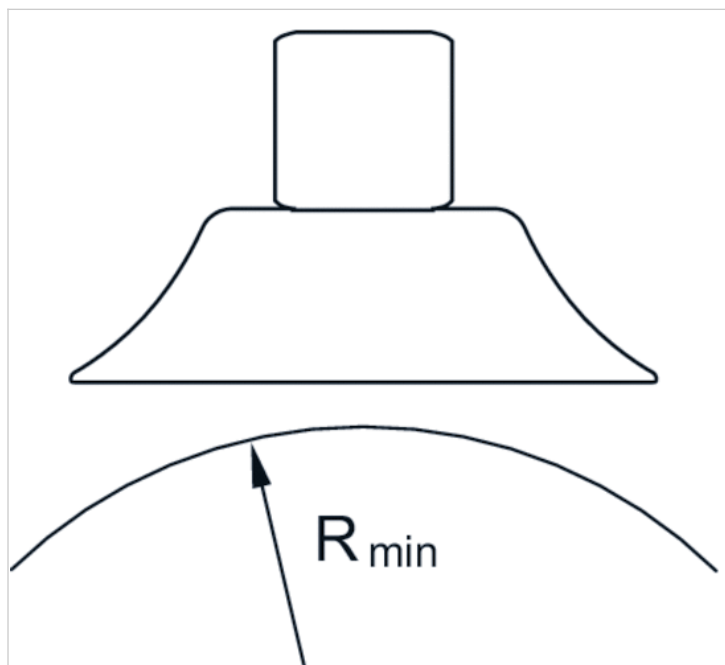
Technical information



A ventilation valve can be connected at the thread connection of the suction cups \varnothing 100, 150, 225 and 300. For this, the plug must be knocked from the material with a hammer and mandrel.

Diagrams

Max. curving on object R_{min}

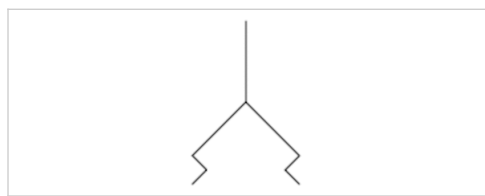


Flat suction gripper, Series FSR

- F = 16-608 N
- external diameter 30-150 mm
- Internal thread
- Heat resistant



Ambient temperature min./max.	-20 ... 130 °C
Hardness according to standard	70 ± 5 Shore A
Abrasion value according to DIN 535 16	91 mm ³
Weight	See table below



Technical data

Part No.	Compressed air connection	external diameter	Holding force	Volume	Max. curving on object Rmin
			*)		
7320302000	M5	30 mm	16 N	2.5 cm ³	50 mm
7320502000	G 1/8	50 mm	64 N	8 cm ³	110 mm
7320752000	G 1/4	75 mm	160 N	28 cm ³	165 mm
7321002000	G 3/8	100 mm	304 N	56 cm ³	165 mm
7321502000	G 1/2	150 mm	608 N	160 cm ³	306 mm

Part No.	Weight
7320302000	0.01 kg
7320502000	0.02 kg
7320752000	0.03 kg
7321002000	0.07 kg
7321502000	0.21 kg

*) Theoretical value at 60% vacuum level, without safety factor

Technical information

To be used on even, smooth, and rough surfaces.

Technical information

Material

Connector

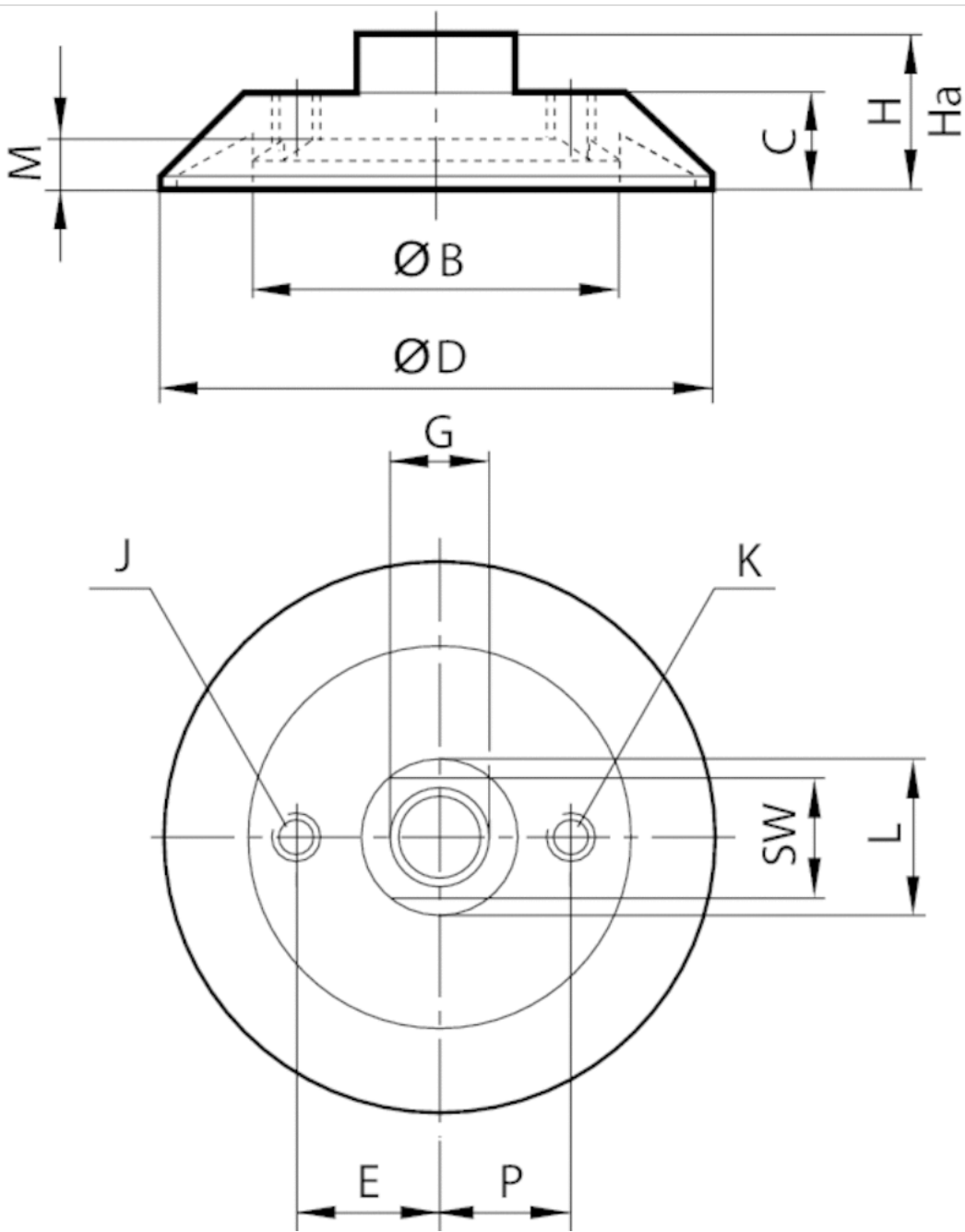
Aluminum

Vacuum

Hydrogenated acrylonitrile butadiene rubber

Dimensions

Dimensions



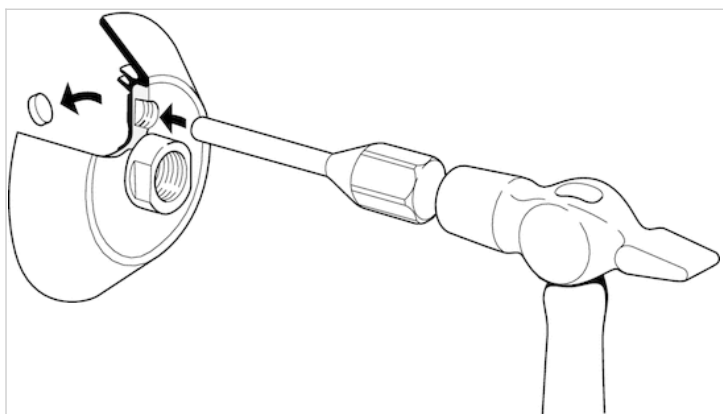
Dimensions

Part No.	ØD	G	Ø B	C	E	H	Ha*)	J	K	L	M	P	SW
7320302000	30 mm	M5	13	10	–	17	14.5	–	–	10	3.5	–	8
7320502000	50 mm	G 1/8	31	11	–	18	13.5	–	–	18	5.5	–	14
7320752000	75 mm	G 1/4	49	14	–	22	16.5	–	–	22	7	–	17
7321002000	100 mm	G 3/8	65.5	18	–	28	21	–	G 1/8	24	8.5	20	21
7321502000	150 mm	G 1/2	96	26	–	42	33	–	G 1/8	35	12	30	27

*) Height for vacuum operation

Dimensions

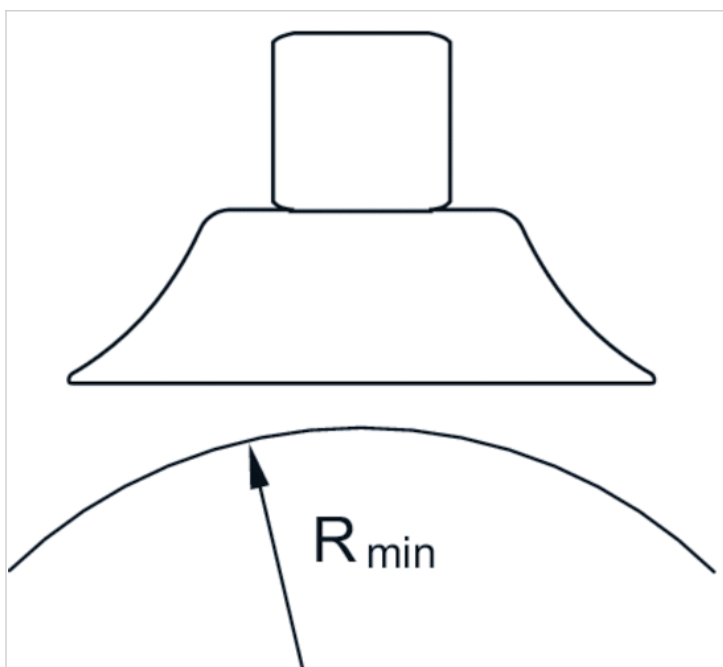
Technical information



A ventilation valve can be connected at the thread connection of the suction cups Ø 100, 150, 225 and 300. For this, the plug must be knocked from the material with a hammer and mandrel.

Diagrams

Max. curving on object R_{min}

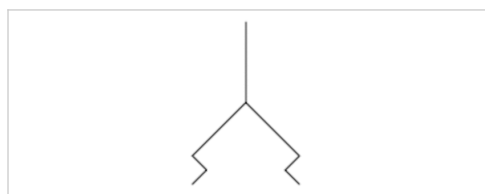


Flat suction gripper, Series FSR

- F = 16-2560 N
- external diameter 30-300 mm
- Internal thread
- Heat resistant



Ambient temperature min./max.	-20 ... 170 °C
Hardness according to standard	60 ± 5 Shore A
Abrasion value according to DIN 535 16	154 mm ³
Weight	See table below



Technical data

Part No.	Compressed air connection	external diameter	Holding force	Volume	Max. curving on object Rmin
			*)		
7320301000	M5	30 mm	16 N	2.5 cm ³	50 mm
7320501000	G 1/8	50 mm	64 N	8 cm ³	110 mm
7320751000	G 1/4	75 mm	160 N	28 cm ³	165 mm
7321001000	G 3/8	100 mm	304 N	56 cm ³	165 mm
7321501000	G 1/2	150 mm	608 N	160 cm ³	306 mm
7322251000	G 3/4	225 mm	1480 N	500 cm ³	465 mm
7323001000	G 1	300 mm	2560 N	1250 cm ³	758 mm

Part No.	Weight
7320301000	0.01 kg
7320501000	0.02 kg
7320751000	0.03 kg
7321001000	0.07 kg
7321501000	0.21 kg
7322251000	0.75 kg
7323001000	1.8 kg

*) Theoretical value at 60% vacuum level, without safety factor

Technical information

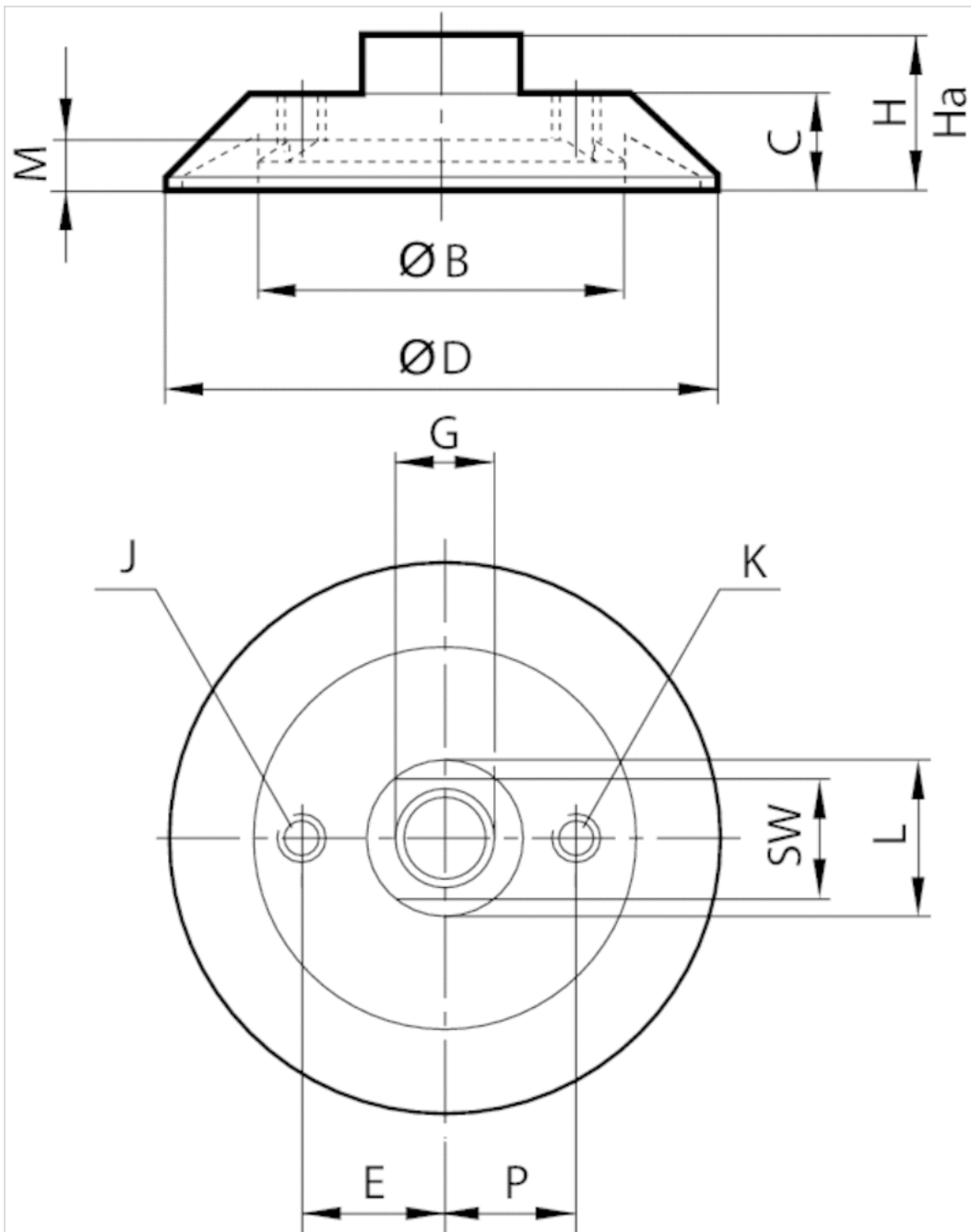
To be used on even, smooth, and rough surfaces.

Technical information

Material	
Connector	Aluminum
Vacuum	Fluoromethyl silicone

Dimensions

Dimensions



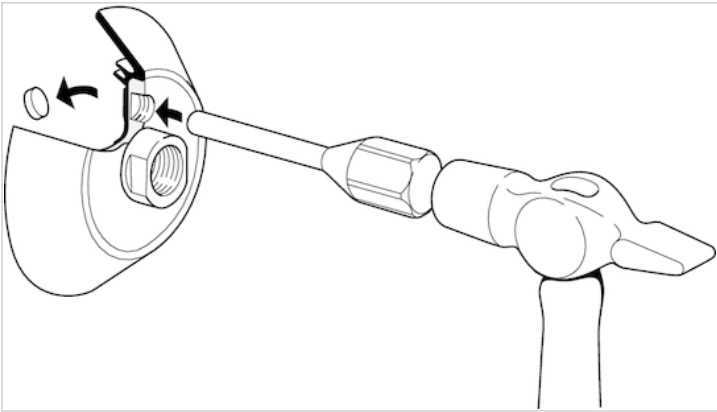
Dimensions

Part No.	ØD	G	ØB	C	E	H	$H_a^*)$	J	K	L	M	P	SW
7320301000	30 mm	M5	13	10	-	17	14.5	-	-	10	3.5	-	8
7320501000	50 mm	G 1/8	31	11	-	18	13.5	-	-	18	5.5	-	14
7320751000	75 mm	G 1/4	49	14	-	22	16.5	-	-	22	7	-	17
7321001000	100 mm	G 3/8	65.5	18	-	28	21	-	G 1/8	24	8.5	20	21
7321501000	150 mm	G 1/2	96	26	-	42	33	-	G 1/8	35	12	30	27
7322251000	225 mm	G 3/4	149	34	-	54	43	-	G 1/8	50	14	50	41
7323001000	300 mm	G 1	200	44	70	70	55	G 1/2	G 1/8	56	19	60	46

*) Height for vacuum operation

Dimensions

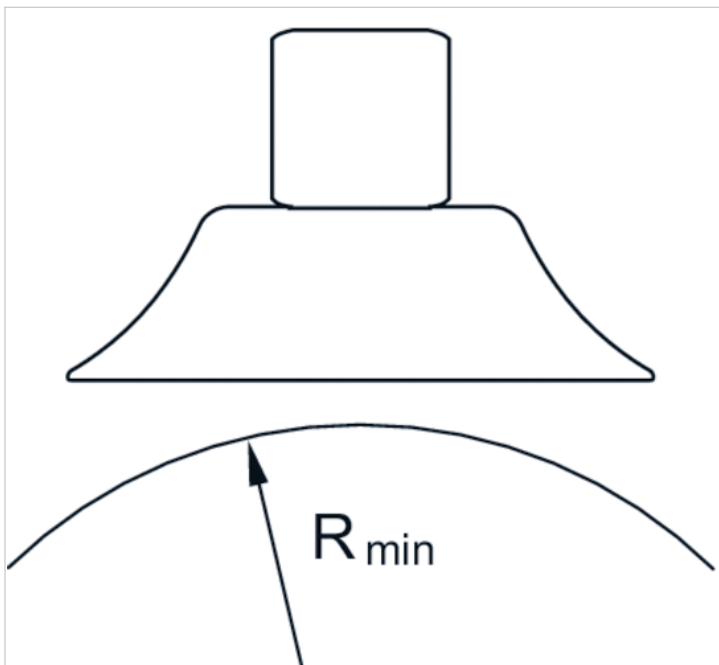
Technical information



A ventilation valve can be connected at the thread connection of the suction cups \varnothing 100, 150, 225 and 300. For this, the plug must be knocked from the material with a hammer and mandrel.

Diagrams

Max. curving on object R_{min}



Efficient pneumatic solutions, our program: cylinders and drives, valves and valve systems, air supply management



Visit us: [Emerson.com/Aventics](https://www.emerson.com/Aventics)

Your local contact: [Emerson.com/contactus](https://www.emerson.com/contactus)



Emerson.com



[Facebook.com/EmersonAutomationSolutions](https://www.facebook.com/EmersonAutomationSolutions)



[LinkedIn.com/company/Emerson-Automation-Solutions](https://www.linkedin.com/company/Emerson-Automation-Solutions)



[Twitter.com/EMR_Automation](https://twitter.com/EMR_Automation)

An example configuration is depicted on the title page. The delivered product may thus vary from that in the illustration. Subject to change. This Document, as well as the data, specifications and other information set forth in it, are the exclusive property of AVENTICS GmbH. It may not be reproduced or given to third parties without its consent. Only use the AVENTICS products shown in industrial applications. Read the product documentation completely and carefully before using the product. Observe the applicable regulations and laws of the respective country. When integrating the product into applications, note the system manufacturer's specifications for safe use of the product. The data specified only serve to describe the product. No statements concerning a certain condition or suitability for a certain application can be derived from our information. The information given does not release the user from the obligation of own judgment and verification. It must be remembered that the products are subject to a natural process of wear and aging.

The Emerson logo is a trademark and service mark of Emerson Electric Co. Brand logotype are registered trademarks of one of the Emerson family of companies. All other marks are the property of their respective owners. © 2017 Emerson Electric Co. All rights reserved.
2019-03



CONSIDER IT SOLVED™