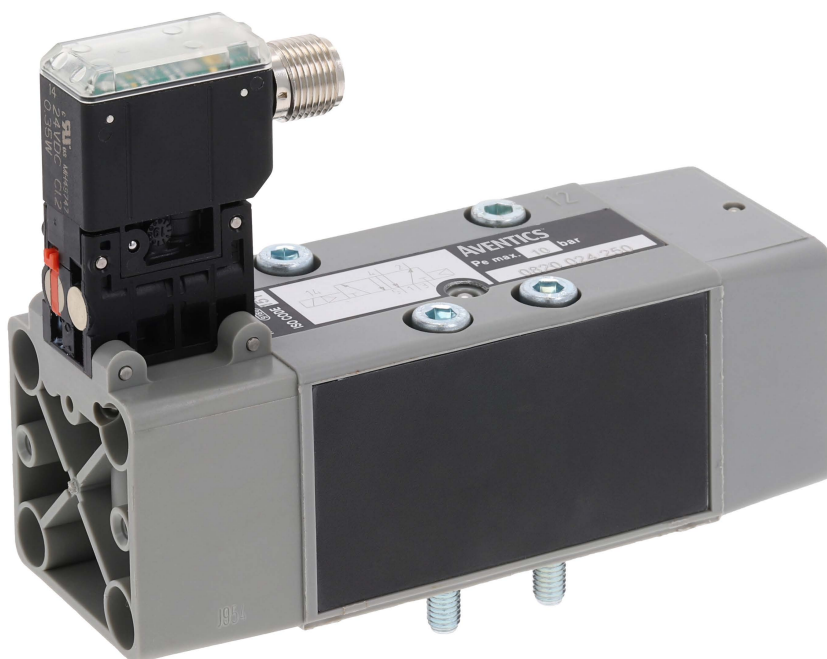


Series IS12, size 1



AVENTICS™ Series IS12, size 1




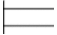
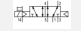

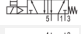

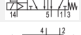

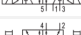
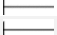
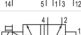

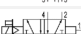



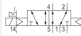

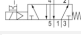

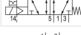

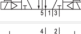

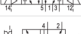

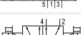
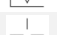
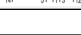
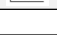


5/2-directional valve, Series IS12, size 1

- ISO 5599-1
- ISO 1
- 5/2
- With air spring return With spring return With differential piston
- single solenoid double solenoid
- $Q_n = 1060 \text{ l/min}$
- Compressed air connection output Base plate ISO 5599-1
- Electrical connection Plug, M12, 3-pin
- Manual override without detent with detent



Type	Spool valve, positive overlapping
Sealing principle	Soft sealing
Blocking principle	Single base plate principle
Connection type	Plate connection
Standards	ISO 5599-1, ISO 1
Working pressure min./max.	See table below
Control pressure min./max.	See table below
Ambient temperature min./max.	0 ... 50 °C
Medium temperature min./max.	0 ... 50 °C
Medium	Compressed air
Max. particle size	5 µm
Oil content of compressed air	0 ... 5 mg/m ³
Nominal flow Q_n	1060 l/min
Protection class with connection	IP65
LED status display	Yellow
Nominal resistance	1480 Ω
Duty cycle	100 %
Typ. switch-on time	See table below
Typ. switch-off time	See table below
Mounting screw	M5 with hexagon socket
Mounting screw tightening torque	2,2 Nm
Weight	See table below

Technical data

Part No.		MO	Operational voltage DC	Voltage tolerance DC
0820024250			24 V	-10% / +10%
0820024251			24 V	-10% / +10%
0820024300			24 V	-10% / +10%
0820024301			24 V	-10% / +10%
0820024325			24 V	-10% / +10%
0820024326			24 V	-10% / +10%
0820024329			24 V	-10% / +10%
0820024330			24 V	-10% / +10%
0820024275			24 V	-10% / +10%
0820024276			24 V	-10% / +10%
0820024302			24 V	-10% / +10%
0820024303			24 V	-10% / +10%
0820024327			24 V	-10% / +10%
0820024328			24 V	-10% / +10%
0820024331			24 V	-10% / +10%
0820024332			24 V	-10% / +10%

Part No.	Power consumption DC	Pilot	Working pressure min./max.
0820024250	0,35 W	Internal	2,5 ... 10 bar
0820024251	0,35 W	External	2,5 ... 10 bar
0820024300	0,35 W	Internal	2,5 ... 10 bar
0820024301	0,35 W	External	2,5 ... 10 bar
0820024325	0,35 W	Internal	2,5 ... 10 bar
0820024326	0,35 W	External	2,5 ... 10 bar
0820024329	0,35 W	Internal	2,5 ... 10 bar
0820024330	0,35 W	External	2,5 ... 10 bar
0820024275	0,35 W	Internal	2,5 ... 10 bar
0820024276	0,35 W	External	2,5 ... 10 bar
0820024302	0,35 W	Internal	2,5 ... 10 bar
0820024303	0,35 W	External	2,5 ... 10 bar
0820024327	0,35 W	Internal	2,5 ... 10 bar
0820024328	0,35 W	External	2,5 ... 10 bar
0820024331	0,35 W	Internal	2,5 ... 10 bar
0820024332	0,35 W	External	2,5 ... 10 bar

Part No.	Control pressure min./max.	Typ. switch-on time	Typ. switch-off time
0820024250	2,5 ... 10 bar	18 ms	30 ms
0820024251	2,5 ... 10 bar	18 ms	30 ms
0820024300	2,5 ... 10 bar	18 ms	35 ms
0820024301	2,5 ... 10 bar	18 ms	35 ms
0820024325	2,5 ... 10 bar	16 ms	16 ms
0820024326	2,5 ... 10 bar	16 ms	16 ms

Part No.	Control pressure min./max.	Typ. switch-on time	Typ. switch-off time
0820024329	2,5 ... 10 bar	-	-
0820024330	2,5 ... 10 bar	-	-
0820024275	2,5 ... 10 bar	18 ms	30 ms
0820024276	2,5 ... 10 bar	18 ms	30 ms
0820024302	2,5 ... 10 bar	18 ms	35 ms
0820024303	2,5 ... 10 bar	18 ms	35 ms
0820024327	2,5 ... 10 bar	16 ms	16 ms
0820024328	2,5 ... 10 bar	16 ms	16 ms
0820024331	2,5 ... 10 bar	-	-
0820024332	2,5 ... 10 bar	-	-

Part No.	Electrical connection Pilot valve	Weight
0820024250	Plug M12 3-pin	0,25 kg
0820024251	Plug M12 3-pin	0,25 kg
0820024300	Plug M12 3-pin	0,26 kg
0820024301	Plug M12 3-pin	0,26 kg
0820024325	Plug M12 3-pin	0,26 kg
0820024326	Plug M12 3-pin	0,26 kg
0820024329	Plug M12 3-pin	0,26 kg
0820024330	Plug M12 3-pin	0,26 kg
0820024275	Plug M12 3-pin	0,25 kg
0820024276	Plug M12 3-pin	0,25 kg
0820024302	Plug M12 3-pin	0,26 kg
0820024303	Plug M12 3-pin	0,26 kg
0820024327	Plug M12 3-pin	0,26 kg
0820024328	Plug M12 3-pin	0,26 kg
0820024331	Plug M12 3-pin	0,26 kg
0820024332	Plug M12 3-pin	0,26 kg

Nominal flow Q_n at 6 bar and $\Delta p = 1$ bar, MO = Manual override

Technical information

The min. control pressure must be adhered to, since otherwise faulty switching and valve failure may result!

The pressure dew point must be at least 15 °C under ambient and medium temperature and may not exceed 3 °C .

The oil content of compressed air must remain constant during the life cycle.

Use only the approved oils from AVENTICS. Further information can be found in the "Technical information" document (available in the MediaCentre).

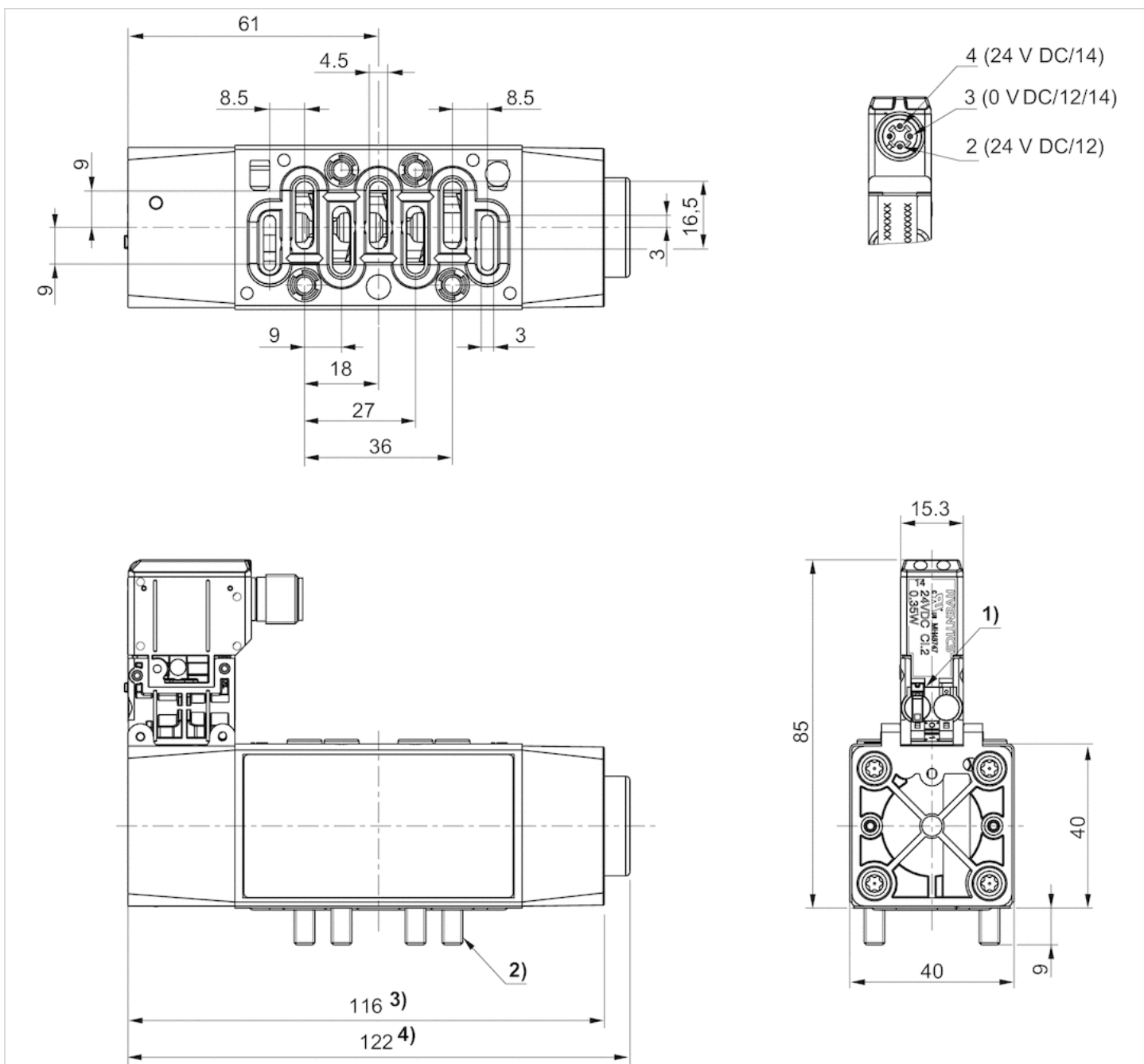
Switch-on power: 1 W for 40 ms

Technical information

Housing	Polyamide
Seals	Acrylonitrile butadiene rubber
Front plate	Polyamide

Dimensions

Dimensions



- 1) Manual override
- 2) 4 screws M4x40 DIN 912
- 3) with air return
- 4) With spring return

5/2-directional valve, Series IS12, size 1

- ISO 5599-1
- ISO 1
- 5/2
- pilot valve with CNOMO porting configuration
- With air spring return With spring return
- single solenoid double solenoid
- Qn = 1060 l/min
- Compressed air connection output Base plate ISO 5599-1
- Electrical connection Plug, EN 175301-803, form A
- Manual override with detent without detent



Type	Spool valve, positive overlapping
Sealing principle	Soft sealing
Blocking principle	Single base plate principle
Connection type	Plate connection
Standards	ISO 5599-1, ISO 1
Working pressure min./max.	See table below
Control pressure min./max.	See table below
Ambient temperature min./max.	-10 ... 50 °C
Medium temperature min./max.	-10 ... 50 °C
Medium	Compressed air
Max. particle size	5 µm
Oil content of compressed air	0 ... 5 mg/m ³
Nominal flow Qn	1060 l/min
Protection class with connection	IP65
Compatibility index	See table below
Duty cycle	100 %
Typ. switch-on time	See table below
Typ. switch-off time	See table below
Mounting screw	M5 with hexagon socket
Mounting screw tightening torque	2,2 Nm
Weight	See table below

Technical data

Part No.		MO	Operational voltage DC	Operational voltage AC 50 Hz
0820024001			-	230 V
0820024002			24 V	-
0820024003			-	24 V
0820024004			-	110 V
0820024006			24 V	-
0820024990			-	-
0820024980			-	-
0820024025			-	230 V
R422000002			-	230 V
0820024026			24 V	-
0820024027			-	24 V
0820024028			-	110 V
0820024035			24 V	-
0820024991			-	-
0820024981			-	-
0820024501			-	230 V
R422000003			-	230 V
0820024502			24 V	-
0820024503			-	24 V
0820024504			-	110 V
0820024510			24 V	-
0820024992			-	-
0820024984			-	-
0820024051			-	230 V
0820024052			24 V	-
0820024053			-	24 V
0820024054			-	110 V
0820024060			24 V	-
0820024993			-	-
0820024982			-	-
0820024075			-	230 V
0820024076			24 V	-
0820024077			-	24 V
0820024078			-	110 V
0820024085			24 V	-
0820024994			-	-
0820024983			-	-
0820024551			-	230 V
0820024552			24 V	-
0820024553			-	24 V
0820024554			-	110 V
0820024560			24 V	-
0820024995			-	-
0820024985			-	-

Part No.		MO	Operational voltage DC	Operational voltage AC 50 Hz
0820024950			-	-
0820024953			-	-
0820024951			-	-
0820024954			-	-
0820024952			-	-
0820024955			-	-
0820024960			-	-
0820024963			-	-
0820024961			-	-
0820024964			-	-
0820024962			-	-
0820024965			-	-

Part No.	Operational voltage AC 60 Hz	Voltage tolerance DC	Voltage tolerance AC 50 Hz	Voltage tolerance AC 60 Hz
0820024001	230 V	-	-10% / +10%	-10% / +10%
0820024002	-	-10% / +10%	-	-
0820024003	24 V	-	-10% / +10%	-10% / +10%
0820024004	110 V	-	-10% / +10%	-10% / +10%
0820024006	-	-10% / +10%	-	-
0820024990	-	-	-	-
0820024980	-	-	-	-
0820024025	230 V	-	-10% / +10%	-10% / +10%
R422000002	230 V	-	-10% / +10%	-10% / +10%
0820024026	-	-10% / +10%	-	-
0820024027	24 V	-	-10% / +10%	-10% / +10%
0820024028	110 V	-	-10% / +10%	-10% / +10%
0820024035	-	-10% / +10%	-	-
0820024991	-	-	-	-
0820024981	-	-	-	-
0820024501	230 V	-	-10% / +10%	-10% / +10%
R422000003	230 V	-	-10% / +10%	-10% / +10%
0820024502	-	-10% / +10%	-	-
0820024503	24 V	-	-10% / +10%	-10% / +10%
0820024504	110 V	-	-10% / +10%	-10% / +10%
0820024510	-	-10% / +10%	-	-
0820024992	-	-	-	-
0820024984	-	-	-	-
0820024051	230 V	-	-10% / +10%	-10% / +10%
0820024052	-	-10% / +10%	-	-
0820024053	24 V	-	-10% / +10%	-10% / +10%
0820024054	110 V	-	-10% / +10%	-10% / +10%
0820024060	-	-10% / +10%	-	-
0820024993	-	-	-	-
0820024982	-	-	-	-
0820024075	230 V	-	-10% / +10%	-10% / +10%

Part No.	Operational voltage AC 60 Hz	Voltage tolerance DC	Voltage tolerance AC 50 Hz	Voltage tolerance AC 60 Hz
0820024076	-	-10% / +10%	-	-
0820024077	24 V	-	-10% / +10%	-10% / +10%
0820024078	110 V	-	-10% / +10%	-10% / +10%
0820024085	-	-10% / +10%	-	-
0820024994	-	-	-	-
0820024983	-	-	-	-
0820024551	230 V	-	-10% / +10%	-10% / +10%
0820024552	-	-10% / +10%	-	-
0820024553	24 V	-	-10% / +10%	-10% / +10%
0820024554	110 V	-	-10% / +10%	-10% / +10%
0820024560	-	-10% / +10%	-	-
0820024995	-	-	-	-
0820024985	-	-	-	-
0820024950	-	-	-	-
0820024953	-	-	-	-
0820024951	-	-	-	-
0820024954	-	-	-	-
0820024952	-	-	-	-
0820024955	-	-	-	-
0820024960	-	-	-	-
0820024963	-	-	-	-
0820024961	-	-	-	-
0820024964	-	-	-	-
0820024962	-	-	-	-
0820024965	-	-	-	-

Part No.	Power consumption DC	Holding power AC 50 Hz	Holding power AC 60 Hz	Switch-on power AC 50 Hz
0820024001	-	8 VA	5,6 VA	11,5 VA
0820024002	4,5 W	-	-	-
0820024003	-	8 VA	5,6 VA	11,5 VA
0820024004	-	8 VA	5,6 VA	11,5 VA
0820024006	2,7 W	-	-	-
0820024990	-	-	-	-
0820024980	-	-	-	-
0820024025	-	8 VA	5,6 VA	11,5 VA
R422000002	-	2,3 VA	-	3 VA
0820024026	4,5 W	-	-	-
0820024027	-	8 VA	5,6 VA	11,5 VA
0820024028	-	8 VA	5,6 VA	11,5 VA
0820024035	2,7 W	-	-	-
0820024991	-	-	-	-
0820024981	-	-	-	-
0820024501	-	8 VA	5,6 VA	11,5 VA
R422000003	-	2,3 VA	-	3 VA
0820024502	4,5 W	-	-	-
0820024503	-	8 VA	5,6 VA	11,5 VA

Part No.	Power consumption DC	Holding power AC 50 Hz	Holding power AC 60 Hz	Switch-on power AC 50 Hz
0820024504	-	8 VA	5,6 VA	11,5 VA
0820024510	2,7 W	-	-	-
0820024992	-	-	-	-
0820024984	-	-	-	-
0820024051	-	8 VA	5,6 VA	11,5 VA
0820024052	4,5 W	-	-	-
0820024053	-	8 VA	5,6 VA	11,5 VA
0820024054	-	8 VA	5,6 VA	11,5 VA
0820024060	2,7 W	-	-	-
0820024993	-	-	-	-
0820024982	-	-	-	-
0820024075	-	8 VA	5,6 VA	11,5 VA
0820024076	4,5 W	-	-	-
0820024077	-	8 VA	5,6 VA	11,5 VA
0820024078	-	8 VA	5,6 VA	11,5 VA
0820024085	2,7 W	-	-	-
0820024994	-	-	-	-
0820024983	-	-	-	-
0820024551	-	8 VA	5,6 VA	11,5 VA
0820024552	4,5 W	-	-	-
0820024553	-	8 VA	5,6 VA	11,5 VA
0820024554	-	8 VA	5,6 VA	11,5 VA
0820024560	2,7 W	-	-	-
0820024995	-	-	-	-
0820024985	-	-	-	-
0820024950	-	-	-	-
0820024953	-	-	-	-
0820024951	-	-	-	-
0820024954	-	-	-	-
0820024952	-	-	-	-
0820024955	-	-	-	-
0820024960	-	-	-	-
0820024963	-	-	-	-
0820024961	-	-	-	-
0820024964	-	-	-	-
0820024962	-	-	-	-
0820024965	-	-	-	-

Part No.	Switch-on power AC 60 Hz	Pilot	Nominal resistance	Working pressure min./max.
0820024001	9,5 VA	Internal	2015 Ω	2 ... 10 bar
0820024002	-	Internal	128 Ω	2 ... 10 bar
0820024003	9,5 VA	Internal	23,3 Ω	2 ... 10 bar
0820024004	9,5 VA	Internal	530 Ω	2 ... 10 bar
0820024006	-	Internal	216 Ω	2 ... 10 bar
0820024990	-	Internal	-	2 ... 10 bar
0820024980	-	Internal	-	2 ... 10 bar

Part No.	Switch-on power AC 60 Hz	Pilot	Nominal resistance	Working pressure min./max.
0820024025	9,5 VA	Internal	2015 Ω	2,2 ... 10 bar
R422000002	-	Internal	5125 Ω	2,2 ... 10 bar
0820024026	-	Internal	128 Ω	2,2 ... 10 bar
0820024027	9,5 VA	Internal	23,3 Ω	2,2 ... 10 bar
0820024028	9,5 VA	Internal	530 Ω	2,2 ... 10 bar
0820024035	-	Internal	216 Ω	2,2 ... 10 bar
0820024991	-	Internal	-	2,2 ... 10 bar
0820024981	-	Internal	-	2,2 ... 10 bar
0820024501	9,5 VA	Internal	2015 Ω	1 ... 10 bar
R422000003	-	Internal	5125 Ω	1 ... 10 bar
0820024502	-	Internal	128 Ω	1 ... 10 bar
0820024503	9,5 VA	Internal	23,3 Ω	1 ... 10 bar
0820024504	9,5 VA	Internal	530 Ω	1 ... 10 bar
0820024510	-	Internal	216 Ω	1 ... 10 bar
0820024992	-	Internal	-	1 ... 10 bar
0820024984	-	Internal	-	1 ... 10 bar
0820024051	9,5 VA	Internal	2015 Ω	2 ... 10 bar
0820024052	-	Internal	128 Ω	2 ... 10 bar
0820024053	9,5 VA	Internal	23,3 Ω	2 ... 10 bar
0820024054	9,5 VA	Internal	530 Ω	2 ... 10 bar
0820024060	-	Internal	216 Ω	2 ... 10 bar
0820024993	-	Internal	-	2 ... 10 bar
0820024982	-	Internal	-	2 ... 10 bar
0820024075	9,5 VA	Internal	2015 Ω	2,2 ... 10 bar
0820024076	-	Internal	128 Ω	2,2 ... 10 bar
0820024077	9,5 VA	Internal	23,3 Ω	2,2 ... 10 bar
0820024078	9,5 VA	Internal	530 Ω	2,2 ... 10 bar
0820024085	-	Internal	216 Ω	2,2 ... 10 bar
0820024994	-	Internal	-	2,2 ... 10 bar
0820024983	-	Internal	-	2,2 ... 10 bar
0820024551	9,5 VA	Internal	2015 Ω	1 ... 10 bar
0820024552	-	Internal	128 Ω	1 ... 10 bar
0820024553	9,5 VA	Internal	23,3 Ω	1 ... 10 bar
0820024554	9,5 VA	Internal	530 Ω	1 ... 10 bar
0820024560	-	Internal	216 Ω	1 ... 10 bar
0820024995	-	Internal	-	1 ... 10 bar
0820024985	-	Internal	-	1 ... 10 bar
0820024950	-	External	-	-0,9 ... 10 bar
0820024953	-	External	-	-0,9 ... 10 bar
0820024951	-	External	-	-0,9 ... 10 bar
0820024954	-	External	-	-0,9 ... 10 bar
0820024952	-	External	-	-0,9 ... 10 bar
0820024955	-	External	-	-0,9 ... 10 bar
0820024960	-	External	-	-0,9 ... 10 bar
0820024963	-	External	-	-0,9 ... 10 bar
0820024961	-	External	-	-0,9 ... 10 bar
0820024964	-	External	-	-0,9 ... 10 bar
0820024962	-	External	-	-0,9 ... 10 bar

Part No.	Switch-on power AC 60 Hz	Pilot	Nominal resistance	Working pressure min./max.
0820024965	-	External	-	-0,9 ... 10 bar

Part No.	Control pressure min./max.	Typ. switch-on time	Typ. switch-off time
0820024001	2 ... 10 bar	18 ms	33 ms
0820024002	2 ... 10 bar	18 ms	33 ms
0820024003	2 ... 10 bar	18 ms	33 ms
0820024004	2 ... 10 bar	18 ms	33 ms
0820024006	2 ... 10 bar	18 ms	33 ms
0820024990	2 ... 10 bar	18 ms	33 ms
0820024980	2 ... 10 bar	18 ms	33 ms
0820024025	2,2 ... 10 bar	18 ms	40 ms
R422000002	2,2 ... 10 bar	18 ms	40 ms
0820024026	2,2 ... 10 bar	18 ms	40 ms
0820024027	2,2 ... 10 bar	18 ms	40 ms
0820024028	2,2 ... 10 bar	18 ms	40 ms
0820024035	2,2 ... 10 bar	18 ms	40 ms
0820024991	2,2 ... 10 bar	18 ms	40 ms
0820024981	2,2 ... 10 bar	18 ms	40 ms
0820024501	1 ... 10 bar	16 ms	16 ms
R422000003	1 ... 10 bar	16 ms	16 ms
0820024502	1 ... 10 bar	16 ms	16 ms
0820024503	1 ... 10 bar	16 ms	16 ms
0820024504	1 ... 10 bar	16 ms	16 ms
0820024510	1 ... 10 bar	16 ms	16 ms
0820024992	1 ... 10 bar	16 ms	16 ms
0820024984	1 ... 10 bar	16 ms	16 ms
0820024051	2 ... 10 bar	18 ms	33 ms
0820024052	2 ... 10 bar	18 ms	33 ms
0820024053	2 ... 10 bar	18 ms	33 ms
0820024054	2 ... 10 bar	18 ms	33 ms
0820024060	2 ... 10 bar	18 ms	33 ms
0820024993	2 ... 10 bar	18 ms	33 ms
0820024982	2 ... 10 bar	18 ms	33 ms
0820024075	2,2 ... 10 bar	18 ms	40 ms
0820024076	2,2 ... 10 bar	18 ms	40 ms
0820024077	2,2 ... 10 bar	18 ms	40 ms
0820024078	2,2 ... 10 bar	18 ms	40 ms
0820024085	2,2 ... 10 bar	18 ms	40 ms
0820024994	2,2 ... 10 bar	18 ms	40 ms
0820024983	2,2 ... 10 bar	18 ms	40 ms
0820024551	1 ... 10 bar	16 ms	16 ms
0820024552	1 ... 10 bar	16 ms	16 ms
0820024553	1 ... 10 bar	16 ms	16 ms
0820024554	1 ... 10 bar	16 ms	16 ms
0820024560	1 ... 10 bar	16 ms	16 ms
0820024995	1 ... 10 bar	16 ms	16 ms

Part No.	Control pressure min./max.	Typ. switch-on time	Typ. switch-off time
0820024985	1 ... 10 bar	16 ms	16 ms
0820024950	2 ... 10 bar	18 ms	33 ms
0820024953	2 ... 10 bar	18 ms	33 ms
0820024951	2,2 ... 10 bar	18 ms	40 ms
0820024954	2,2 ... 10 bar	18 ms	40 ms
0820024952	1 ... 10 bar	16 ms	16 ms
0820024955	1 ... 10 bar	16 ms	16 ms
0820024960	2 ... 10 bar	18 ms	33 ms
0820024963	2 ... 10 bar	18 ms	33 ms
0820024961	2,2 ... 10 bar	18 ms	40 ms
0820024964	2,2 ... 10 bar	18 ms	40 ms
0820024962	1 ... 10 bar	16 ms	16 ms
0820024965	1 ... 10 bar	16 ms	16 ms

Part No.	Compatibility index	Electrical connection Pilot valve	basic valve with electrical connector
0820024001	15	Plug EN 175301-803, form A	-
0820024002	15	Plug EN 175301-803, form A	-
0820024003	15	Plug EN 175301-803, form A	-
0820024004	15	Plug EN 175301-803, form A	-
0820024006	-	Plug EN 175301-803, form A	-
0820024990	15	Plug EN 175301-803, form A	Basic valve without coil
0820024980	-	Plug EN 175301-803, form A	Basic valve without coil
0820024025	15	Plug EN 175301-803, form A	-
R422000002	12	Plug EN 175301-803, form A	-
0820024026	15	Plug EN 175301-803, form A	-
0820024027	15	Plug EN 175301-803, form A	-
0820024028	15	Plug EN 175301-803, form A	-
0820024035	-	Plug EN 175301-803, form A	-
0820024991	15	Plug EN 175301-803, form A	Basic valve without coil
0820024981	-	Plug EN 175301-803, form A	Basic valve without coil
0820024501	15	Plug EN 175301-803, form A	-
R422000003	12	Plug EN 175301-803, form A	-
0820024502	15	Plug EN 175301-803, form A	-
0820024503	15	Plug EN 175301-803, form A	-
0820024504	15	Plug EN 175301-803, form A	-
0820024510	-	Plug EN 175301-803, form A	-
0820024992	15	Plug EN 175301-803, form A	Basic valve without coil
0820024984	-	Plug EN 175301-803, form A	Basic valve without coil
0820024051	15	Plug EN 175301-803, form A	-
0820024052	15	Plug EN 175301-803, form A	-
0820024053	15	Plug EN 175301-803, form A	-
0820024054	15	Plug EN 175301-803, form A	-
0820024060	14	Plug EN 175301-803, form A	-
0820024993	15	Plug EN 175301-803, form A	Basic valve without coil
0820024982	14	Plug EN 175301-803, form A	Basic valve without coil
0820024075	15	Plug EN 175301-803, form A	-

Part No.	Compatibility index	Electrical connection Pilot valve	basic valve with electrical connector
0820024076	15	Plug EN 175301-803, form A	-
0820024077	15	Plug EN 175301-803, form A	-
0820024078	15	Plug EN 175301-803, form A	-
0820024085	14	Plug EN 175301-803, form A	-
0820024994	15	Plug EN 175301-803, form A	Basic valve without coil
0820024983	14	Plug EN 175301-803, form A	Basic valve without coil
0820024551	15	Plug EN 175301-803, form A	-
0820024552	15	Plug EN 175301-803, form A	-
0820024553	15	Plug EN 175301-803, form A	-
0820024554	15	Plug EN 175301-803, form A	-
0820024560	14	Plug EN 175301-803, form A	-
0820024995	15	Plug EN 175301-803, form A	Basic valve without coil
0820024985	14	Plug EN 175301-803, form A	Basic valve without coil
0820024950	-	Plug EN 175301-803, form A	Basic valve without coil
0820024953	14	Plug EN 175301-803, form A	Basic valve without coil
0820024951	-	Plug EN 175301-803, form A	Basic valve without coil
0820024954	14	Plug EN 175301-803, form A	Basic valve without coil
0820024952	-	Plug EN 175301-803, form A	Basic valve without coil
0820024955	14	Plug EN 175301-803, form A	Basic valve without coil
0820024960	15	Plug EN 175301-803, form A	Basic valve without coil
0820024963	15	Plug EN 175301-803, form A	Basic valve without coil
0820024961	15	Plug EN 175301-803, form A	Basic valve without coil
0820024964	15	Plug EN 175301-803, form A	Basic valve without coil
0820024962	15	Plug EN 175301-803, form A	Basic valve without coil
0820024965	15	Plug EN 175301-803, form A	Basic valve without coil

Part No.	ATEX	Weight	
0820024001	-	0,37 kg	-
0820024002	-	0,37 kg	-
0820024003	-	0,37 kg	-
0820024004	-	0,37 kg	-
0820024006	-	0,37 kg	1)
0820024990	-	0,27 kg	-
0820024980	-	0,27 kg	1)
0820024025	-	0,37 kg	-
R422000002	-	0,37 kg	2)
0820024026	-	0,37 kg	-
0820024027	-	0,37 kg	-
0820024028	-	0,37 kg	-
0820024035	-	0,37 kg	1)
0820024991	-	0,28 kg	-
0820024981	-	0,28 kg	1)
0820024501	-	0,52 kg	-
R422000003	-	0,52 kg	2)
0820024502	-	0,52 kg	-
0820024503	-	0,52 kg	-

Part No.	ATEX	Weight	
0820024504	-	0,52 kg	-
0820024510	-	0,52 kg	1)
0820024992	-	0,33 kg	-
0820024984	-	0,33 kg	1)
0820024051	-	0,37 kg	-
0820024052	-	0,37 kg	-
0820024053	-	0,37 kg	-
0820024054	-	0,37 kg	-
0820024060	-	0,37 kg	-
0820024993	-	0,27 kg	-
0820024982	-	0,27 kg	1)
0820024075	-	0,37 kg	-
0820024076	-	0,37 kg	-
0820024077	-	0,37 kg	-
0820024078	-	0,37 kg	-
0820024085	-	0,37 kg	1)
0820024994	-	0,28 kg	-
0820024983	-	0,28 kg	1)
0820024551	-	0,52 kg	-
0820024552	-	0,52 kg	-
0820024553	-	0,52 kg	-
0820024554	-	0,52 kg	-
0820024560	-	0,52 kg	1)
0820024995	-	0,33 kg	-
0820024985	-	0,33 kg	1)
0820024950	-	0,27 kg	1)
0820024953	-	0,27 kg	1)
0820024951	-	0,28 kg	1)
0820024954	-	0,28 kg	1)
0820024952	-	0,33 kg	1)
0820024955	-	0,33 kg	1)
0820024960	ATEX optional	0,27 kg	-
0820024963	ATEX optional	0,27 kg	-
0820024961	ATEX optional	0,28 kg	-
0820024964	ATEX optional	0,28 kg	-
0820024962	ATEX optional	0,33 kg	-
0820024965	ATEX optional	0,33 kg	-

Nominal flow Q_n at 6 bar and $\Delta p = 1$ bar, MO = Manual override

1) Low power consumption

2) reduced switch-on and holding power

Technical information

The min. control pressure must be adhered to, since otherwise faulty switching and valve failure may result!
The pressure dew point must be at least 15 °C under ambient and medium temperature and may not exceed 3 °C .
The oil content of compressed air must remain constant during the life cycle.
Use only the approved oils from AVENTICS. Further information can be found in the “Technical information” document (available in the MediaCentre).

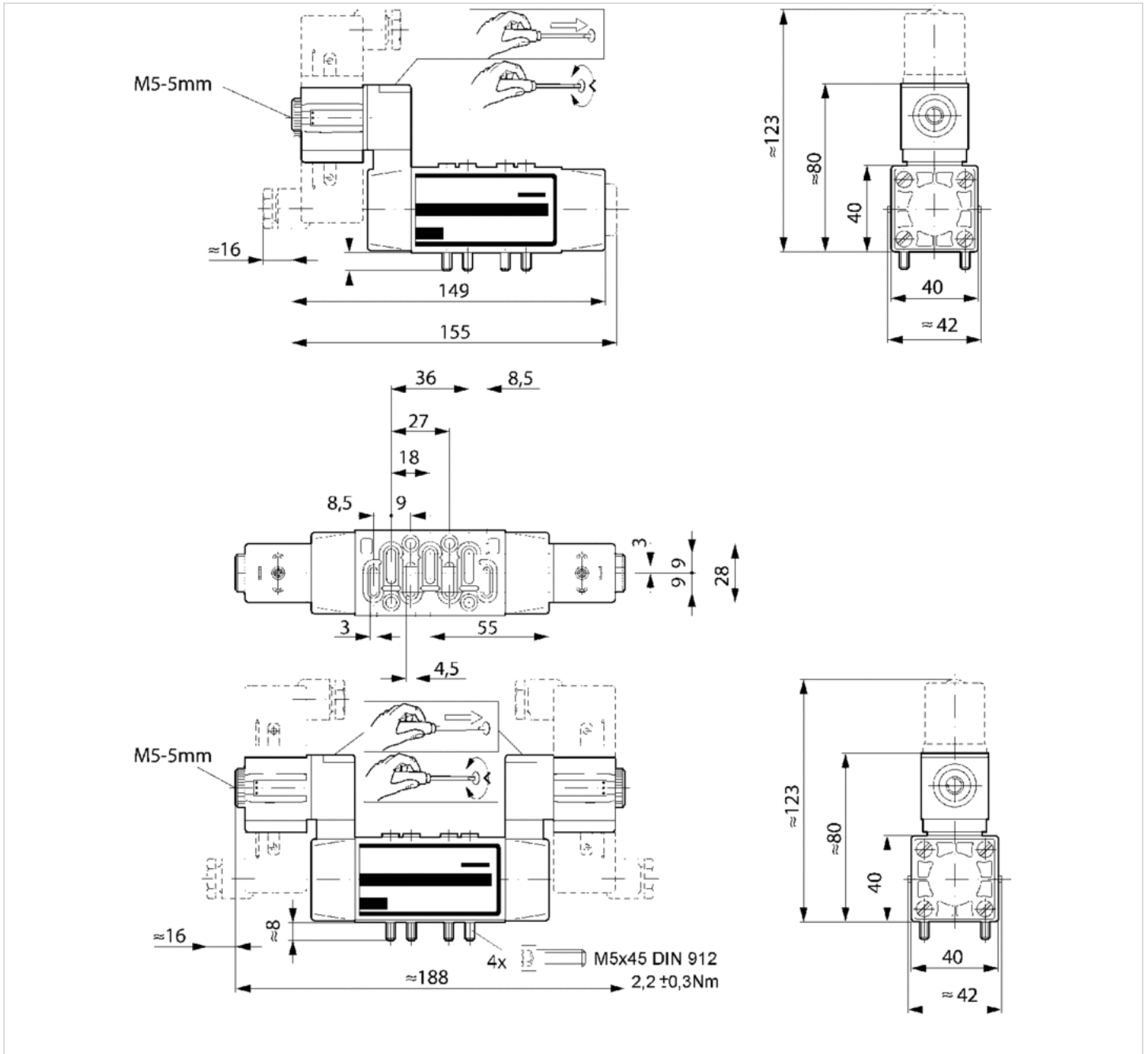
ATEX optional: ATEX version can be produced by combining the basic valve without coil with an ATEX coil. ATEX ID: see ATEX coils catalog page.

Technical information

Housing	Polyamide
Seals	Acrylonitrile butadiene rubber
Front plate	Polyamide

Dimensions

Dimensions



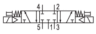
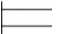



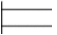


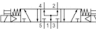
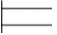


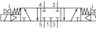
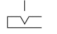




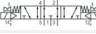

5/3-directional valve, Series IS12, size 1



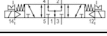

- ISO 5599-1
- ISO 1
- 5/3
- double solenoid
- closed center exhausted center pressurized center
- $Q_n = 880$ l/min
- Compressed air connection output Base plate ISO 5599-1
- Electrical connection Plug, M12, 3-pin
- Manual override without detent with detent



Type	Spool valve, positive overlapping
Sealing principle	Soft sealing
Blocking principle	Single base plate principle
Connection type	Plate connection
Standards	ISO 5599-1, ISO 1
Working pressure min./max.	See table below
Control pressure min./max.	2,5 ... 10 bar
Ambient temperature min./max.	0 ... 50 °C
Medium temperature min./max.	0 ... 50 °C
Medium	Compressed air
Max. particle size	5 µm
Oil content of compressed air	0 ... 5 mg/m ³
Nominal flow Q_n	880 l/min
Protection class with connection	IP65
LED status display	Yellow
Nominal resistance	1480 Ω
Duty cycle	100 %
Typ. switch-on time	See table below
Typ. switch-off time	See table below
Mounting screw	M5 with hexagon socket
Mounting screw tightening torque	2,2 Nm
Weight	0,31 kg

Technical data

Part No.		MO		Operational voltage DC
0820027275			closed center	24 V
0820027276			closed center	24 V
0820027300			exhausted center	24 V
0820027301			exhausted center	24 V
0820027325			pressurized center	24 V
0820027326			pressurized center	24 V
0820027277			closed center	24 V
0820027278			closed center	24 V
0820027302			exhausted center	24 V
0820027303			exhausted center	24 V

Part No.		MO		Operational voltage DC
0820027327			pressurized center	24 V
0820027328			pressurized center	24 V

Part No.	Voltage tolerance DC	Power consumption DC	Pilot	Working pressure min./max.
0820027275	-10% / +10%	0,35 W	Internal	2,5 ... 10 bar
0820027276	-10% / +10%	0,35 W	External	2,5 ... 10 bar
0820027300	-10% / +10%	0,35 W	Internal	2,5 ... 10 bar
0820027301	-10% / +10%	0,35 W	External	2,5 ... 10 bar
0820027325	-10% / +10%	0,35 W	Internal	2,5 ... 10 bar
0820027326	-10% / +10%	0,35 W	External	2,5 ... 10 bar
0820027277	-10% / +10%	0,35 W	Internal	2,5 ... 10 bar
0820027278	-10% / +10%	0,35 W	External	2,5 ... 10 bar
0820027302	-10% / +10%	0,35 W	Internal	2,5 ... 10 bar
0820027303	-10% / +10%	0,35 W	External	2,5 ... 10 bar
0820027327	-10% / +10%	0,35 W	Internal	2,5 ... 10 bar
0820027328	-10% / +10%	0,35 W	External	2,5 ... 10 bar

Part No.	Typ. switch-on time	Typ. switch-off time	Electrical connection Pilot valve
0820027275	16 ms	-	Plug M12 3-pin
0820027276	16 ms	-	Plug M12 3-pin
0820027300	18 ms	35 ms	Plug M12 3-pin
0820027301	18 ms	35 ms	Plug M12 3-pin
0820027325	15 ms	29 ms	Plug M12 3-pin
0820027326	15 ms	29 ms	Plug M12 3-pin
0820027277	16 ms	-	Plug M12 3-pin
0820027278	16 ms	-	Plug M12 3-pin
0820027302	18 ms	35 ms	Plug M12 3-pin
0820027303	18 ms	35 ms	Plug M12 3-pin
0820027327	15 ms	29 ms	Plug M12 3-pin
0820027328	15 ms	29 ms	Plug M12 3-pin

Nominal flow Q_n at 6 bar and $\Delta p = 1$ bar, MO = Manual override

Technical information

The min. control pressure must be adhered to, since otherwise faulty switching and valve failure may result!

The pressure dew point must be at least 15 °C under ambient and medium temperature and may not exceed 3 °C .

The oil content of compressed air must remain constant during the life cycle.

Use only the approved oils from AVENTICS. Further information can be found in the "Technical information" document (available in the MediaCentre).

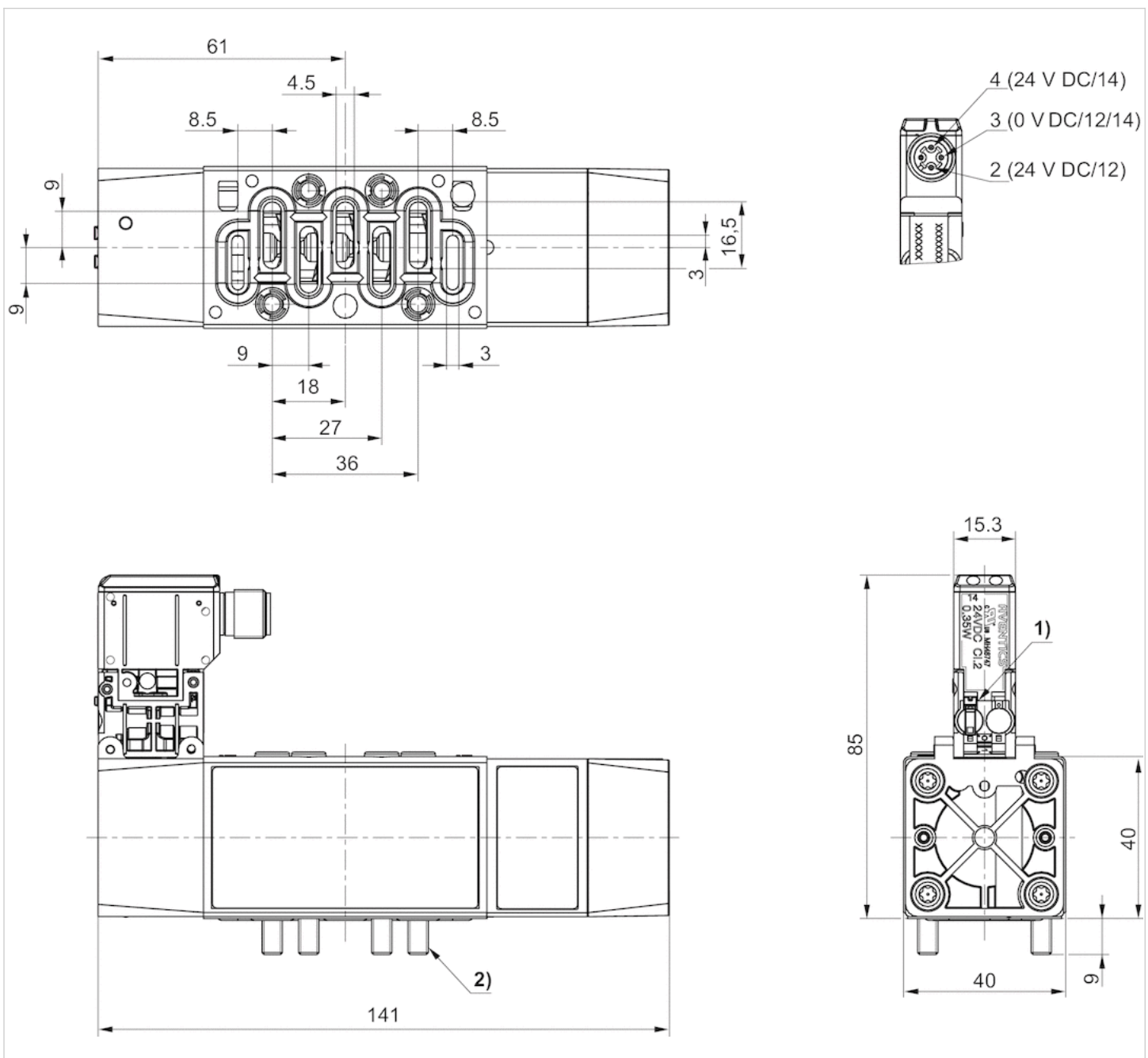
Switch-on power: 1 W for 40 ms

Technical information

Housing	Polyamide
Seals	Acrylonitrile butadiene rubber
Front plate	Polyamide

Dimensions

Dimensions



- 1) Manual override
- 2) 4 screws M4x40 DIN 912




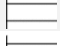
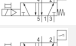
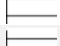



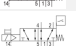
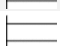
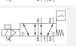






5/2-directional valve, Series IS12-PD, size 1

- ISO 5599-1
- ISO 1
- 5/2
- With spring return
- single solenoid
- $Q_n = 1060 \text{ l/min}$
- Compressed air connection output Base plate DIN ISO 5599 size 1
- Electrical connection Plug, EN 175301-803, form A Plug, M12
- Manual override without detent without



Type	Spool valve, positive overlapping
Sealing principle	Soft sealing
Blocking principle	Single base plate principle
Connection type	Plate connection
Standards	ISO 5599-1, ISO 1
Working pressure min./max.	See table below
Control pressure min./max.	3 ... 10 bar
Ambient temperature min./max.	0 ... 50 °C
Medium temperature min./max.	0 ... 50 °C
Medium	Compressed air
Max. particle size	5 µm
Oil content of compressed air	0 ... 0,01 mg/m ³
Nominal flow Q_n	1060 l/min
Protection class with connection	IP65
Compatibility index	15
Duty cycle	100 %
Switch-on time max.	18 ms
Switch-off time max.	40 ms
Type sensor	electronic PNP, with LED
Sensor connection	Plug, M8, 3-pin, with knurled screw
Operating voltage sensor DC min./max.	10 ... 30 V DC
Voltage drop sensor U at I_{max}	≤ 2,5 V
Vibration resistance sensor	10 - 55 Hz, 1 mm
Shock resistance sensor	30 g / 11 ms
Cable length sensor	0,3 m
Protection class sensor acc. to DIN EN 61140	Class III
Mounting screw	M5 with hexagon socket
Weight	See table below

Technical data

Part No.		MO	Operational voltage DC	Voltage tolerance DC
R422002522			-	-
R422002521			24 V	-10% / +10%
R422102676			24 V	-10% / +10%
R422102678			24 V	-10% / +10%
R422002645		-	-	-
R422002578			-	-
R422002577			24 V	-10% / +10%
R422102677			24 V	-10% / +10%
R422102679			24 V	-10% / +10%
R422002646		-	-	-

Part No.	Power consumption DC	Pilot	Working pressure min./max.	Compatibility index
R422002522	-	Internal	3 ... 10 bar	15
R422002521	4,4 W	Internal	3 ... 10 bar	15
R422102676	4,5 W	Internal	3 ... 10 bar	15
R422102678	4,4 W	Internal	3 ... 10 bar	15
R422002645	-	Internal	3 ... 10 bar	15
R422002578	-	External	-0,9 ... 10 bar	15
R422002577	4,4 W	External	-0,9 ... 10 bar	15
R422102677	4,5 W	External	-0,9 ... 10 bar	15
R422102679	4,4 W	External	-0,9 ... 10 bar	15
R422002646	-	External	-0,9 ... 10 bar	15

Part No.	Electrical connection Pilot valve	basic valve with electrical connector	Weight	Fig.
R422002522	-	Basic valve without coil	0,315 kg	Fig. 1
R422002521	Plug EN 175301-803, form A	-	0,41 kg	Fig. 1
R422102676	Plug M12	-	0,41 kg	Fig. 2
R422102678	Plug EN 175301-803, form A	-	0,41 kg	Fig. 1
R422002645	-	Basic valve without coil	0,315 kg	Fig. 1
R422002578	-	Basic valve without coil	0,315 kg	Fig. 1
R422002577	Plug EN 175301-803, form A	-	0,41 kg	Fig. 1
R422102677	Plug M12	-	0,41 kg	Fig. 2
R422102679	Plug EN 175301-803, form A	-	0,41 kg	Fig. 1
R422002646	-	Basic valve without coil	0,315 kg	Fig. 1

Part No.	
R422002522	-
R422002521	-
R422102676	-
R422102678	1)
R422002645	-

Part No.	
R422002578	-
R422002577	-
R422102677	-
R422102679	1)
R422002646	-

The UL certification only applies to the coil, not to the valve., Nominal flow Qn at 6 bar and Δp = 1 bar

1) With UL coil

Technical information

The min. control pressure must be adhered to, since otherwise faulty switching and valve failure may result!

The pressure dew point must be at least 15 °C under ambient and medium temperature and may not exceed 3 °C .

The oil content of compressed air must remain constant during the life cycle.

Use only the approved oils from AVENTICS. Further information can be found in the “Technical information” document (available in the MediaCentre).

When the valve is not actuated, the sensor sends a signal through pin 4 of the sensor connection.

When the valve is actuated, the sensor does not send a signal through pin 4 of the sensor connection.

The valve with position detection is possible to be used in categories 3 and 4 according to ISO 13849 in order to reach a Performance Level (PL) of the control system up to PL = e.

On its own, the valve with position detection is not a safety component and is not a complete safety solution. It is designed to increase the diagnostic coverage (DC) of the control system.

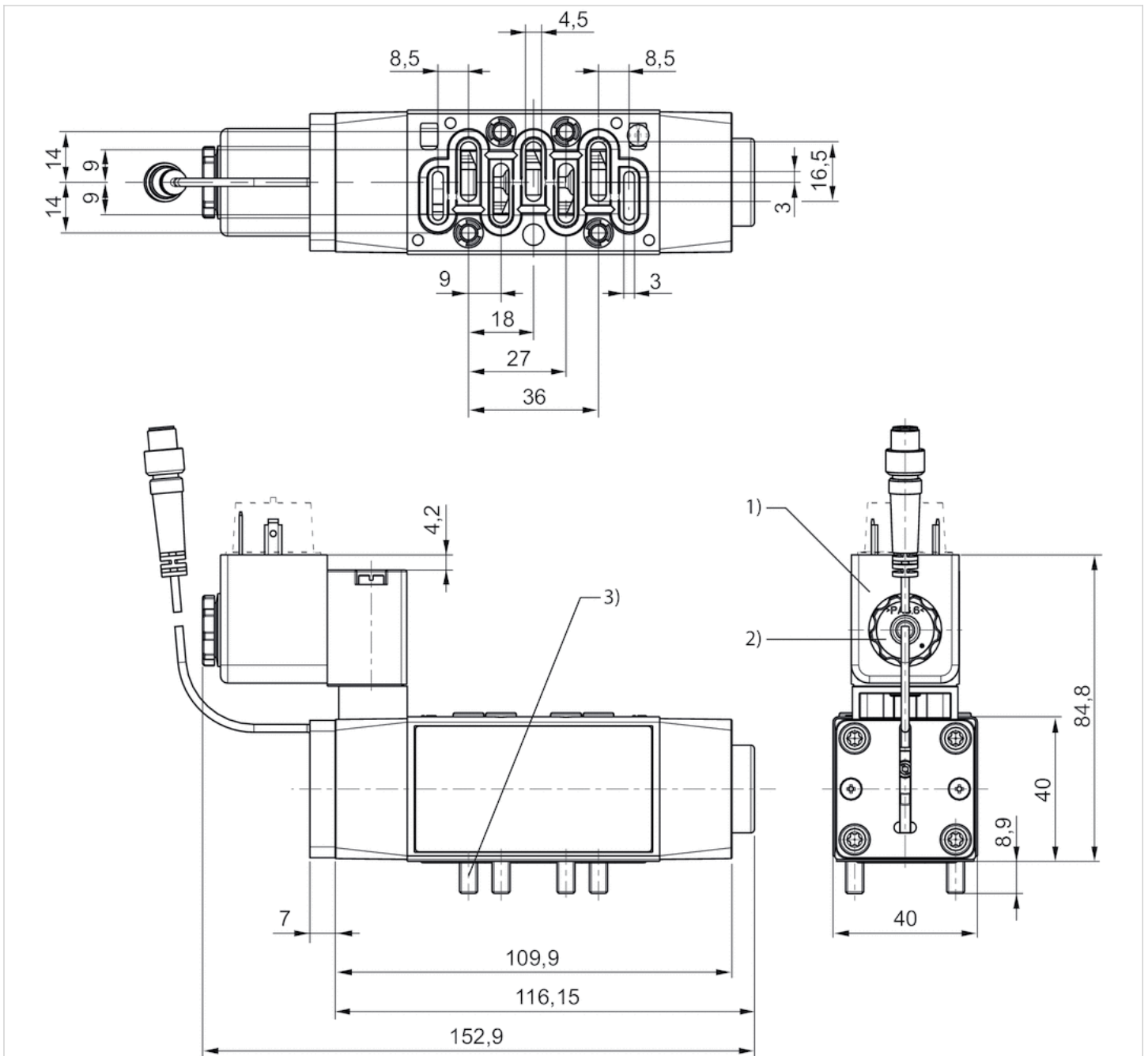
For use in categories 3 to 4, additional requirements of DIN EN ISO 13849-1:2008-12 (e.g. CCF, DC, PLr, software, systematic errors) are taken into consideration by the user.

Technical information

Housing	Polyamide Aluminum
Seals	Acrylonitrile butadiene rubber

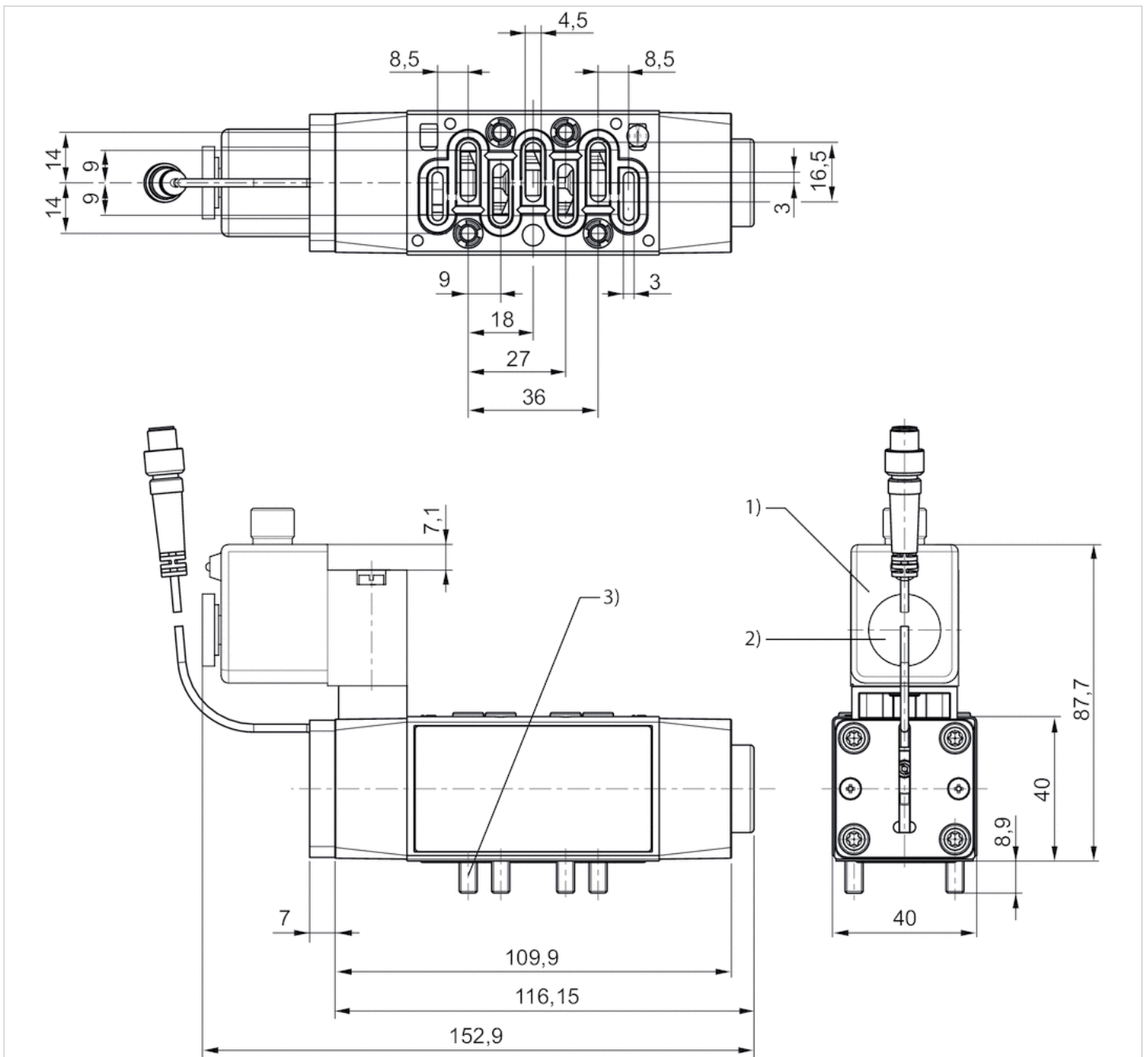
Dimensions

Dimensions, Fig. 1



- 1) Adjustable coil 5x45°
- 2) Tightening torque for lock nut: $0.6 + 0.2 \text{ Nm}$
- 3) Tightening torque for mounting screws: $2.2 \pm 0.2 \text{ Nm}$

Dimensions, Fig. 2



- 1) Adjustable coil 5x45°
- 2) Tightening torque for lock nut: 0.6 + 0.2 Nm
- 3) Tightening torque for mounting screws: 2.2 ± 0.2 Nm


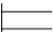

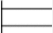












3/2-directional valve, Dual valve, IS12-PD series, size 1

- ISO 5599-1, ISO 13849-1
- 2 x 5/2
- Safe pressurization and exhaust ■ $Q_n = 1800$ l/min (Exhaust)
- With spring return
- single solenoid
- Compressed air connection output G 1/4
- Electrical connection Plug, M12 Plug, EN 175301-803, form A
- Manual override without detent



Type	Spool valve
Sealing principle	Soft sealing
Blocking principle	Double base plate principle
Connection type	Plate connection
Standards	ISO 5599-1, ISO 13849-1
Working pressure min./max.	See table below
Control pressure min./max.	3,5 ... 10 bar
Ambient temperature min./max.	0 ... 50 °C
Medium temperature min./max.	0 ... 50 °C
Medium	Compressed air
Max. particle size	5 µm
Oil content of compressed air	0 ... 0,01 mg/m ³
Protection class with connection	IP65
Compatibility index	15
Duty cycle	100 %
Typ. switch-on time	See table below
Switch-on time max.	18 ms
Typ. switch-off time	40 ms
Switch-off time max.	40 ms
Type sensor	electronic PNP, with LED
Sensor connection	Plug, M8, 3-pin, with knurled screw
Operating voltage sensor DC min./max.	10 ... 30 V DC
Voltage drop sensor U at I _{max}	≤ 2,5 V
Vibration resistance sensor	10 - 55 Hz, 1 mm
Shock resistance sensor	30 g / 11 ms
Cable length sensor	0,3 m
Protection class sensor acc. to DIN EN 61140	Class III
Weight	See table below

Technical data

Part No.		MO	Operational voltage DC	Voltage tolerance DC
R422003622			24 V	-10% / +10%
R422003623			24 V	-10% / +10%
R422003624			24 V	-10% / +10%
R422003625			24 V	-10% / +10%
R422003189			24 V	-10% / +10%
R422003190			24 V	-10% / +10%
R422003191			24 V	-10% / +10%
R422003192			24 V	-10% / +10%

Part No.	Power consumption DC	Pilot	Nominal flow 1 ▶ 2	Nominal flow 4 ▶ 5
R422003622	4,5 W	External	800 l/min	1050 l/min
R422003623	4,5 W	Internal	800 l/min	1050 l/min
R422003624	4,4 W	External	800 l/min	1050 l/min
R422003625	4,4 W	Internal	800 l/min	1050 l/min
R422003189	4,5 W	External	800 l/min	1050 l/min
R422003190	4,5 W	Internal	800 l/min	1050 l/min
R422003191	4,4 W	External	800 l/min	1050 l/min
R422003192	4,4 W	Internal	800 l/min	1050 l/min

Part No.	Nominal flow 4ext ▶ 5	Working pressure min./max.	Typ. switch-on time
R422003622	700 l/min	1 ... 10 bar	20 ms
R422003623	700 l/min	3,5 ... 10 bar	20 ms
R422003624	700 l/min	1 ... 10 bar	20 ms
R422003625	700 l/min	3,5 ... 10 bar	20 ms
R422003189	700 l/min	1 ... 10 bar	20 ms
R422003190	700 l/min	3,5 ... 10 bar	30 ms
R422003191	700 l/min	1 ... 10 bar	20 ms
R422003192	700 l/min	3,5 ... 10 bar	30 ms

Part No.	Compatibility index	Electrical connection Pilot valve	Weight	Fig.	
R422003622	15	Plug M12	2,2 kg	Fig. 1	-
R422003623	15	Plug M12	2,2 kg	Fig. 1	-
R422003624	15	Plug EN 175301-803, form A	2,2 kg	Fig. 1	-
R422003625	15	Plug EN 175301-803, form A	2,2 kg	Fig. 1	-
R422003189	15	Plug M12	2,4 kg	Fig. 2	1)
R422003190	15	Plug M12	2,4 kg	Fig. 2	1)
R422003191	15	Plug EN 175301-803, form A	2,4 kg	Fig. 2	1)
R422003192	15	Plug EN 175301-803, form A	2,4 kg	Fig. 2	1)

Nominal flow Q_n at 6 bar and $\Delta p = 1$ bar

1) Dual valve with integrated non-return valve. Guaranteed minimum opening pressure of the non-return valve is 0,3 bar., The safety function "safe venting" limited to category 1 and level PL = c.

Technical information

The min. control pressure must be adhered to, since otherwise faulty switching and valve failure may result!
 The pressure dew point must be at least 15 °C under ambient and medium temperature and may not exceed 3 °C .
 The oil content of compressed air must remain constant during the life cycle.
 Use only the approved oils from AVENTICS. Further information can be found in the "Technical information" document (available in the MediaCentre).

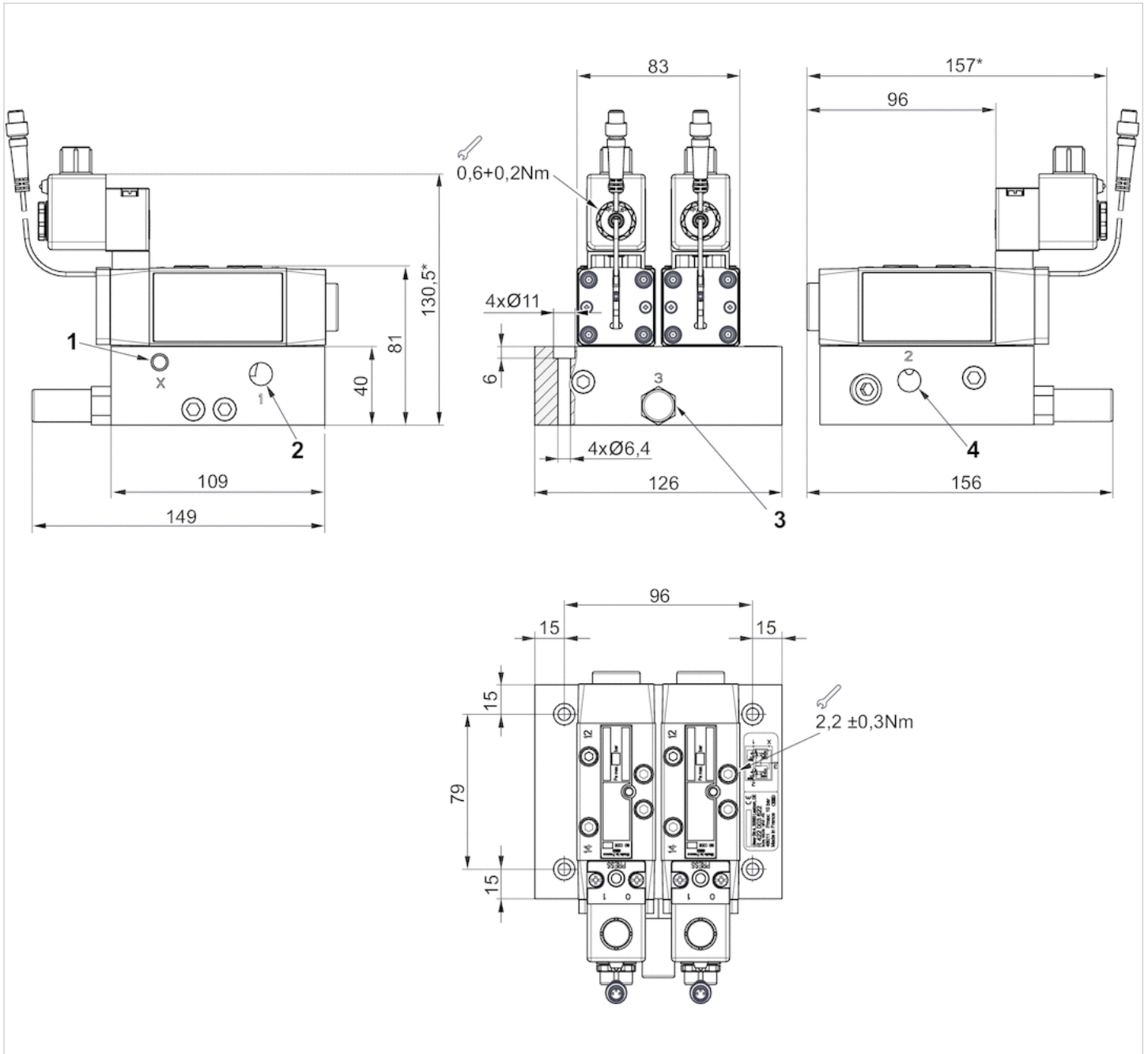
When the valve is not actuated, the sensor sends a signal through pin 4 of the sensor connection.
 When the valve is actuated, the sensor does not send a signal through pin 4 of the sensor connection.
 The dual valve includes two IS12-PD-5/2-SR valves with position detection and fulfills the safety function "safe venting" and "protection against unexpected start-up". The dual valve permits use in categories 3 and 4 in accordance with ISO 13849-1 to achieve a control system performance level (PL) of up to PL = e.
 On its own, the valve with position detection is not a safety component and is not a complete safety solution. It is designed to increase the diagnostic coverage (DC) of the control system.
 For use in categories 3 to 4, additional requirements of DIN EN ISO 13849-1:2008-12 (e.g. CCF, DC, PLr, software, systematic errors) are taken into consideration by the user.

Technical information

Housing	Polyamide Aluminum
Seals	Acrylonitrile butadiene rubber

Dimensions

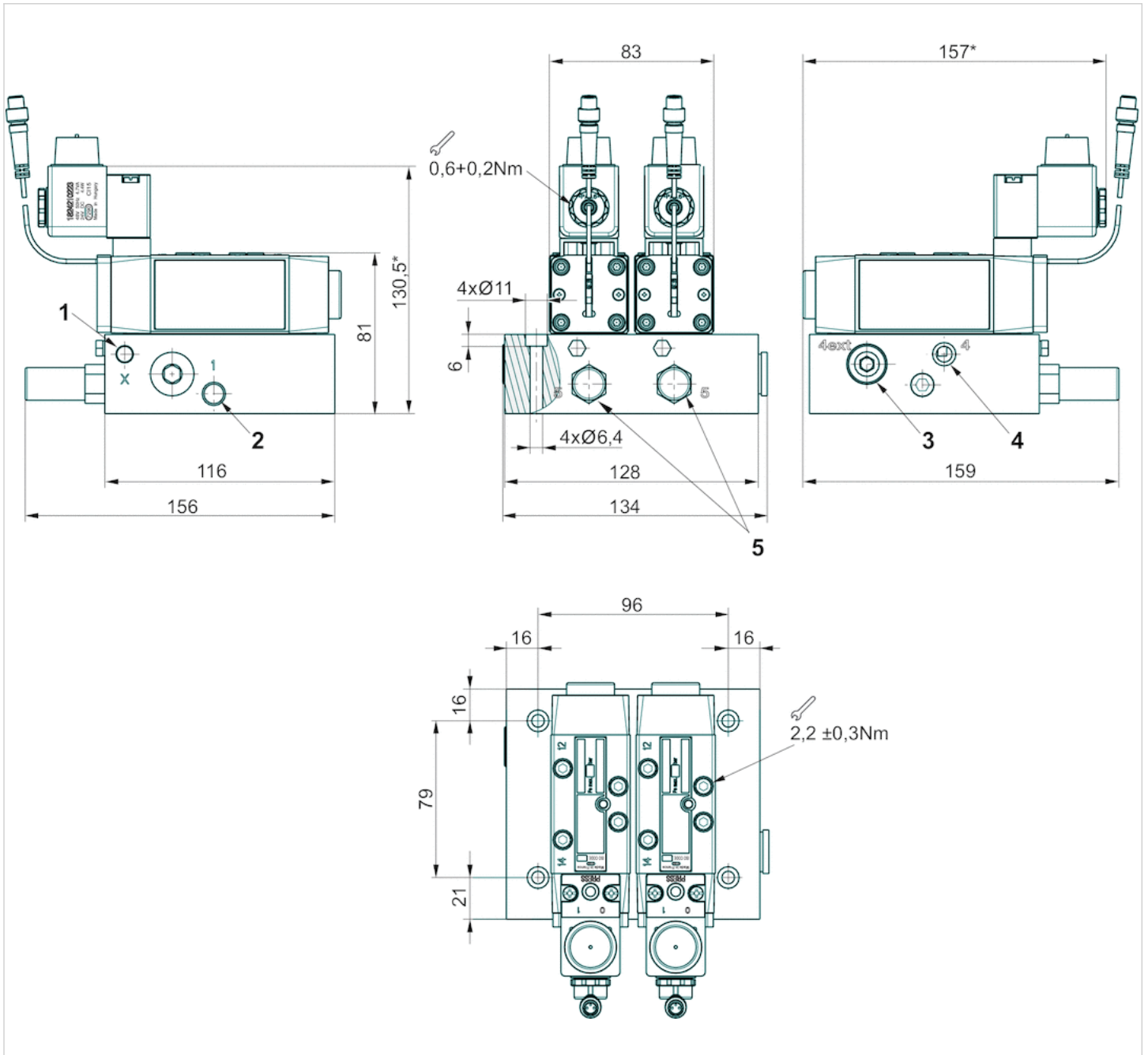
Dimensions, Fig. 1



*) max.

- 1) External pilot pressure G1/8
- 2) Input pressure G1/4
- 3) Exhaust G 1/4
- 4) Output pressure G1/4

Dimensions, Fig. 2, Dual valve with integrated non-return valve



*) max.

- 1) External pilot pressure G1/8
- 2) Input pressure G1/4
- 3) Exhaust in with non-return valve G1/4
- 4) Output pressure G1/4
- 5) Exhaust G 1/4

Single subbase, thread connections on the side

- standard ISO 5599-1
- Frame size ISO 1
- Compressed air connection output G 1/4
- Reversed pressure supply permissible



Standards	ISO 5599-1
Working pressure min./max.	-0,95 ... 16 bar
Ambient temperature min./max.	-25 ... 70 °C
Medium temperature min./max.	-25 ... 70 °C
Medium	Compressed air
Number of valve positions max.	1
Grid dimension	48 mm
Direction of pneumatic port (1)	On the side
Direction of pneumatic port (3,5)	On the side
Direction of pneumatic port (2,4)	On the side
Direction of pneumatic port (12)	On the side
Direction of pneumatic port (14)	On the side
Exhaust (3,5)	With directional exhaust (3/5)
Exhaust type	Ports separated
Weight	0,17 kg

Technical data

Part No.	Compressed air connection Input [1]	Compressed air connection Output [2 / 4]
1825503143	G 1/4	G 1/4

Part No.	Compressed air connection Exhaust [3 / 5]	Compressed air connection Pilot connection [12]
1825503143	G 1/4	G 1/8

Part No.	Compressed air connection Pilot control exhaust [R]
1825503143	G 1/8

Technical information

The min. control pressure must be adhered to, since otherwise faulty switching and valve failure may result!
 The pressure dew point must be at least 15 °C under ambient and medium temperature and may not exceed 3 °C .
 The oil content of compressed air must remain constant during the life cycle.
 Use only the approved oils from AVENTICS. Further information can be found in the "Technical information" document (available in the MediaCentre).

For use with HV series valves, the ambient temperature is -25 °C...200 °C and the medium temperature is -25 °C...120 °C.
 Reversed pressure supply is not permitted for HV series valves.

Technical information

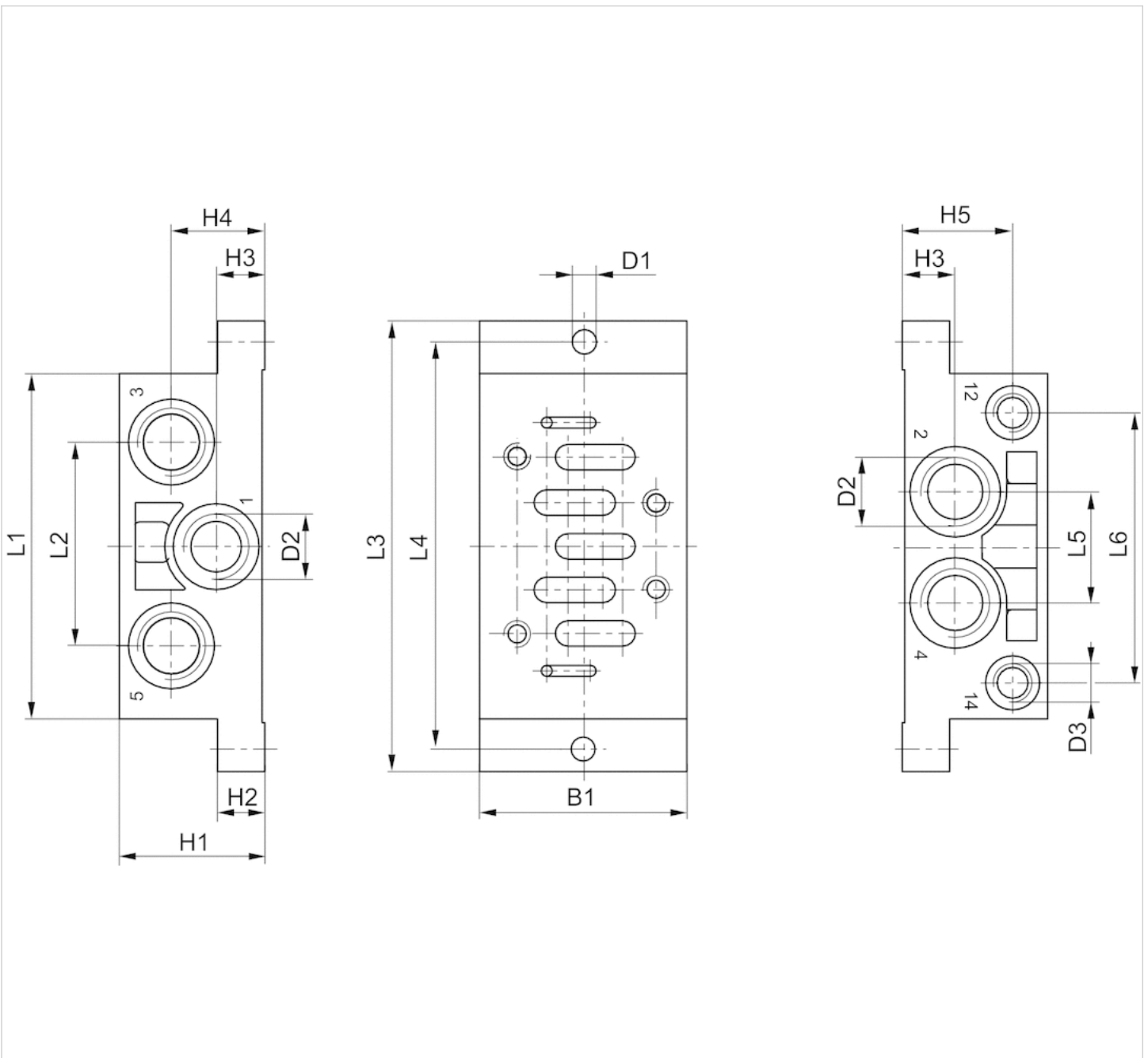
Material

Base plate

Die-cast aluminum

Dimensions

Fig. 1



Dimensions

Part No.	Frame size	B1	H1	H2	H3	H4	H5	D1	D2 *)	D3 *)	L1	L2	L3	L4	L5	L6
1825503143	ISO 1	48	32	10	11,5	21.5	23.5	5.5	G 1/4	G 1/8	84	43	110	98	24	58

*) Ports

Single subbase, thread connections on the bottom

- standard ISO 5599-1
- Frame size ISO 1
- Compressed air connection output G 1/4
- Reversed pressure supply permissible



Standards	ISO 5599-1
Working pressure min./max.	-0,95 ... 16 bar
Ambient temperature min./max.	-25 ... 70 °C
Medium temperature min./max.	-25 ... 70 °C
Medium	Compressed air
Number of valve positions max.	1
Direction of pneumatic port (1)	Down
Direction of pneumatic port (3,5)	Down
Direction of pneumatic port (2,4)	Down
Direction of pneumatic port (12)	Down
Direction of pneumatic port (14)	Down
Exhaust (3,5)	With directional exhaust (3/5)
Exhaust type	Ports separated
Weight	0,196 kg

Technical data

Part No.	Compressed air connection Input [1]	Compressed air connection Output [2 / 4]
1825503201	G 1/4	G 1/4

Part No.	Compressed air connection Exhaust [3 / 5]	Compressed air connection Pilot connection [12]
1825503201	G 1/4	G 1/8

Part No.	Compressed air connection Pilot control exhaust [R]
1825503201	G 1/8

Technical information

The min. control pressure must be adhered to, since otherwise faulty switching and valve failure may result!
 The pressure dew point must be at least 15 °C under ambient and medium temperature and may not exceed 3 °C .
 The oil content of compressed air must remain constant during the life cycle.
 Use only the approved oils from AVENTICS. Further information can be found in the "Technical information" document (available in the MediaCentre).

For use with HV series valves, the ambient temperature is -25 °C...200 °C and the medium temperature is -25 °C...120 °C.
 Reversed pressure supply is not permitted for HV series valves.

Technical information

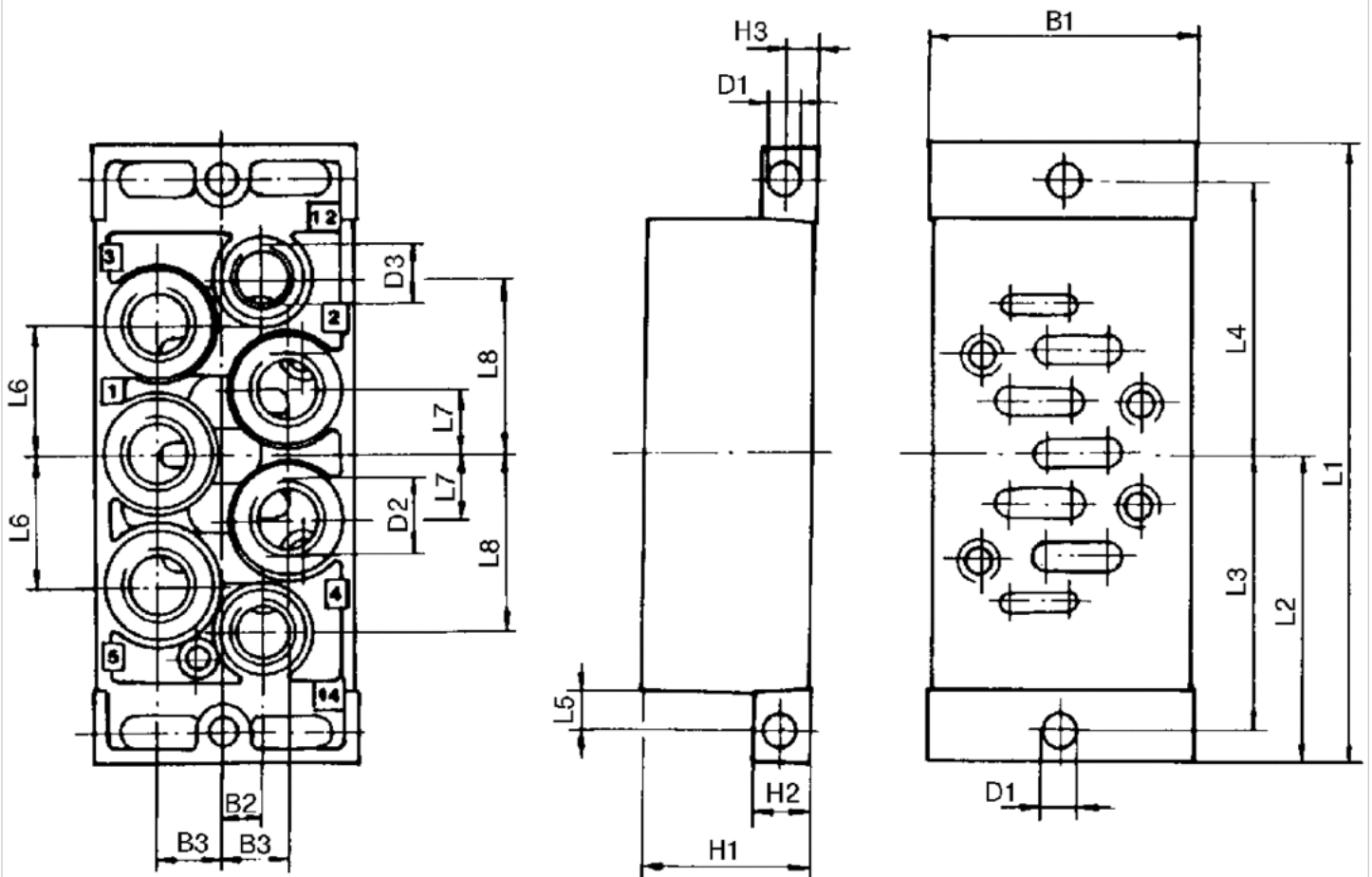
Material

Base plate

Die-cast aluminum

Dimensions

Dimensions



Dimensions

Part No.	Frame size	B1	B2	B3	D1	D2 *)	D3 *)	H1	H2	H3	L1	L2	L3	L4	L5	L6	L7	L8
1825503201	ISO 1	46	7	11.5	5.5	G 1/4	G 1/8	30	10	5	110	55	49	49	7	23	11,5	31

*) Ports

Single subbase, ports on side

- standard ISO 5599-1
- Frame size ISO 1
- Compressed air connection output G 1/8 G 1/4



Standards	ISO 5599-1
Working pressure min./max.	-1 ... 16 bar
Ambient temperature min./max.	-20 ... 70 °C
Medium temperature min./max.	-20 ... 70 °C
Medium	Compressed air
Number of valve positions max.	1
Direction of pneumatic port (1)	On the side
Direction of pneumatic port (3,5)	On the side
Direction of pneumatic port (2,4)	On the side
Direction of pneumatic port (14)	On the side
Exhaust (3,5)	With directional exhaust (3/5)
Exhaust type	Ports separated
Weight	See table below

Technical data

Part No.	Compressed air connection Input [1]	Compressed air connection Output [2 / 4]
5801710000	G 1/8	G 1/8
5801740000	G 1/4	G 1/4

Part No.	Compressed air connection Exhaust [3 / 5]	Compressed air connection Pilot connection [12]	Weight
5801710000	G 1/8	G 1/8	0,11 kg
5801740000	G 1/4	G 1/8	0,17 kg

Technical information

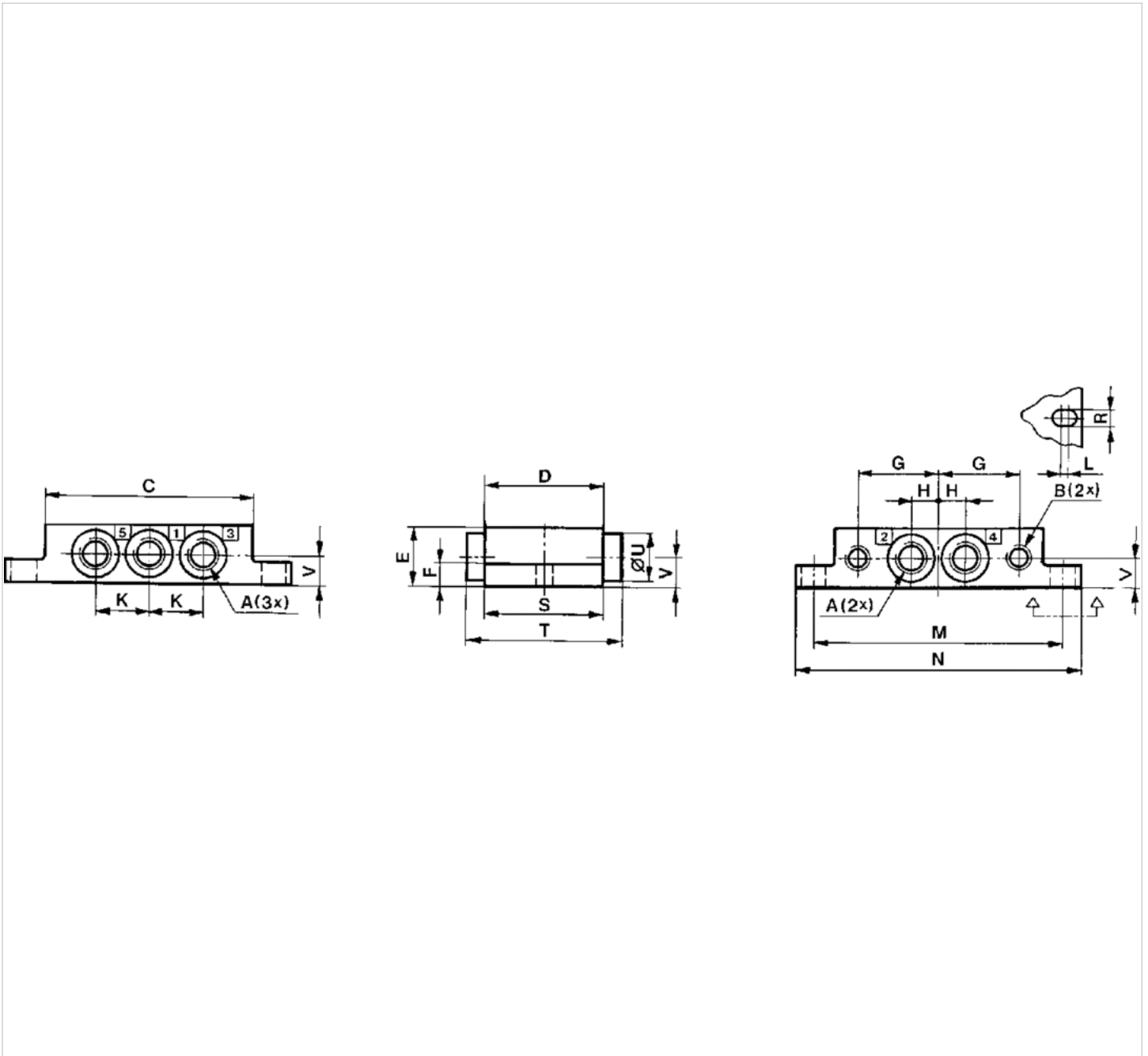
The min. control pressure must be adhered to, since otherwise faulty switching and valve failure may result!
 The pressure dew point must be at least 15 °C under ambient and medium temperature and may not exceed 3 °C .
 The oil content of compressed air must remain constant during the life cycle.
 Use only the approved oils from AVENTICS. Further information can be found in the "Technical information" document (available in the MediaCentre).

Technical information

Material	
Base plate	Die-cast aluminum, black painted

Dimensions

Dimensions



Dimensions

Part No.	Frame size	A *)	B *)	C	D	E	F	G	H	K	L	M	N	R	S	T	U	V
5801710000	ISO 1	G 1/8	G 1/8	70	40	20	8	26.5	9	18	2	84	96	5.4	40	-	-	10
5801740000	ISO 1	G 1/4	G 1/8	70	40	23	11	31.5	11.5	23	2	96	110	5.4	46	64	21	12

*) Ports

Single subbase, ports on bottom

- standard ISO 5599-1
- Frame size ISO 1
- Compressed air connection output G 1/8



Standards	ISO 5599-1
Working pressure min./max.	-1 ... 16 bar
Ambient temperature min./max.	-20 ... 70 °C
Medium temperature min./max.	-20 ... 70 °C
Medium	Compressed air
Number of valve positions max.	1
Direction of pneumatic port (1)	Down
Direction of pneumatic port (3,5)	Down
Direction of pneumatic port (2,4)	Down
Direction of pneumatic port (14)	Down
Exhaust (3,5)	uncollected exhaust
Exhaust type	Ports separated
Weight	0,11 kg

Technical data

Part No.	Compressed air connection Input [1]	Compressed air connection Output [2 / 4]
5801700000	G 1/8	G 1/8

Part No.	Compressed air connection Exhaust [3 / 5]	Compressed air connection Pilot connection [12]
5801700000	G 1/8	G 1/8

Technical information

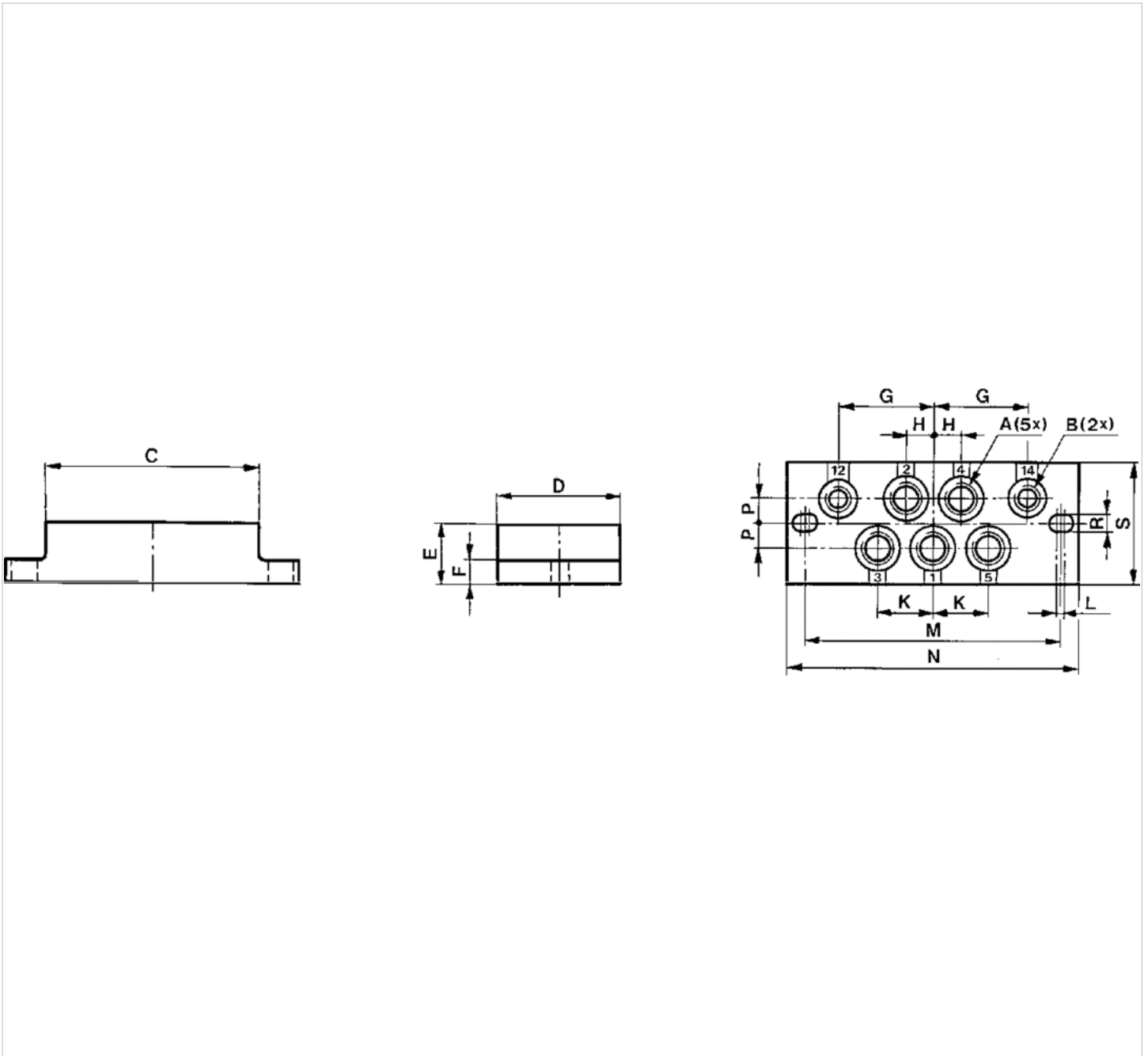
The min. control pressure must be adhered to, since otherwise faulty switching and valve failure may result!
 The pressure dew point must be at least 15 °C under ambient and medium temperature and may not exceed 3 °C .
 The oil content of compressed air must remain constant during the life cycle.
 Use only the approved oils from AVENTICS. Further information can be found in the "Technical information" document (available in the MediaCentre).

Technical information

Material	
Base plate	Die-cast aluminum, black painted

Dimensions

Dimensions



Dimensions

Part No.	Frame size	A *)	B *)	C	D	E	F	G	H	K	L	M	N	P	R	S
5801700000	ISO 1	G1/8	G1/8	70	40	20	8	26.5	9	18	2	84	96	8	5.4	40

*) Ports

Transition plate

- standard ISO 5599-1
- Frame size ISO 1 ▶ ISO 2
- type F
- Can be assembled into blocks
- Reversed pressure supply permissible



Standards	ISO 5599-1
Working pressure min./max.	-0,95 ... 16 bar
Ambient temperature min./max.	-15 ... 70 °C
Medium temperature min./max.	-15 ... 80 °C
Medium	Compressed air
Exhaust (3,5)	uncollected exhaust
Exhaust type	Ports separated
Mounting screw	hexagon head
Weight	0,295 kg

Technical data

Part No.

1825503164

Technical information

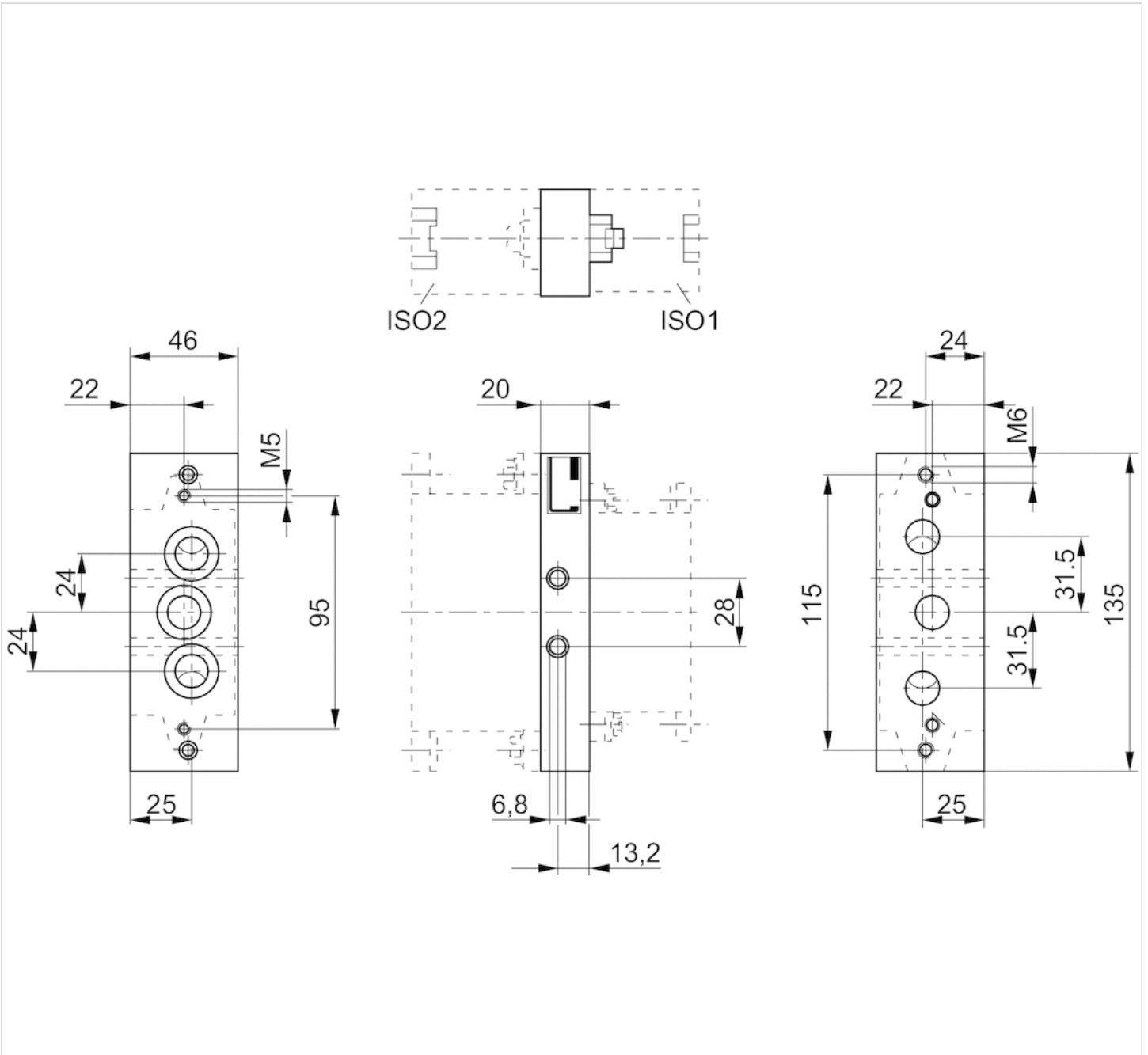
The min. control pressure must be adhered to, since otherwise faulty switching and valve failure may result!
 The pressure dew point must be at least 15 °C under ambient and medium temperature and may not exceed 3 °C .
 The oil content of compressed air must remain constant during the life cycle.
 Use only the approved oils from AVENTICS. Further information can be found in the "Technical information" document (available in the MediaCentre).

Technical information

Material

Housing	Aluminum
Base plate	Aluminum
Seal	Acrylonitrile butadiene rubber

Dimensions



End plate left, End plate right

- standard ISO 5599-1
- Frame size ISO 1
- type F
- Can be assembled into blocks
- Base plate principle, multiple
- Reversed pressure supply permissible



Standards	ISO 5599-1
Compressed air connection	according to ISO 5599-1
Working pressure min./max.	-0,95 ... 16 bar
Ambient temperature min./max.	-15 ... 70 °C
Medium temperature min./max.	-25 ... 70 °C
Medium	Compressed air
Direction of pneumatic port (1)	On the side
Direction of pneumatic port (3,5)	On the side
Exhaust (3,5)	With directional exhaust (3/5)
Exhaust type	Ports separated
Mounting screw	hexagon head
Weight	0,208 kg

Technical data

Part No.	Compressed air connection	Compressed air connection
	Input [1]	Exhaust [3 / 5]
1825503145	G 3/8	G 3/8

Scope of delivery: 2 end plates including seal and mounting screws

Technical information

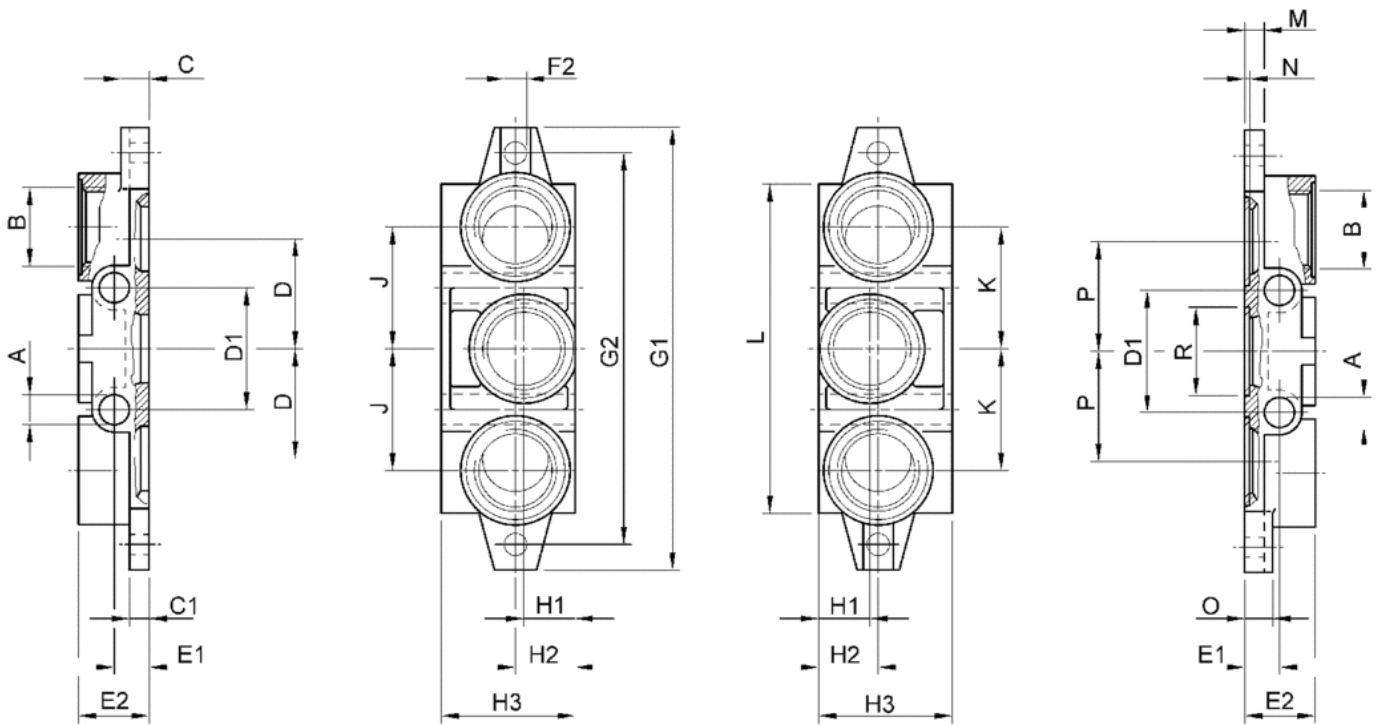
The min. control pressure must be adhered to, since otherwise faulty switching and valve failure may result!
 The pressure dew point must be at least 15 °C under ambient and medium temperature and may not exceed 3 °C .
 The oil content of compressed air must remain constant during the life cycle.
 Use only the approved oils from AVENTICS. Further information can be found in the "Technical information" document (available in the MediaCentre).

Technical information

Material	
Base plate	Die-cast aluminum
Seal	Acrylonitrile butadiene rubber

Dimensions

Dimensions



Dimensions

Part No.	A	B	C	C1	D	D1	E1	E2	F2	G1	G2	H1	H2	H3	J	K	L	M	N	O	P	R
1825503145	7	G 3/8	8	6	24	28	11	22	Ø 5,5	110	95	22	22	46	28	28	85	6	2	8	24	Ø 22,1

End plates for adapter plate

- standard ISO 5599-1
- Frame size ISO 1, ISO 2
- type F
- Can be assembled into blocks
- Reversed pressure supply permissible



Standards	ISO 5599-1
Working pressure min./max.	-0,95 ... 16 bar
Ambient temperature min./max.	-15 ... 70 °C
Medium temperature min./max.	-15 ... 80 °C
Medium	Compressed air
Direction of pneumatic port (1)	On the side
Direction of pneumatic port (3,5)	On the side
Exhaust (3,5)	With directional exhaust (3/5)
Exhaust type	Ports separated
Mounting screw	hexagon head
Weight	0,255 kg

Technical data

Part No.
1825503244

Scope of delivery: 2 end plates of different sizes including seal and mounting screws

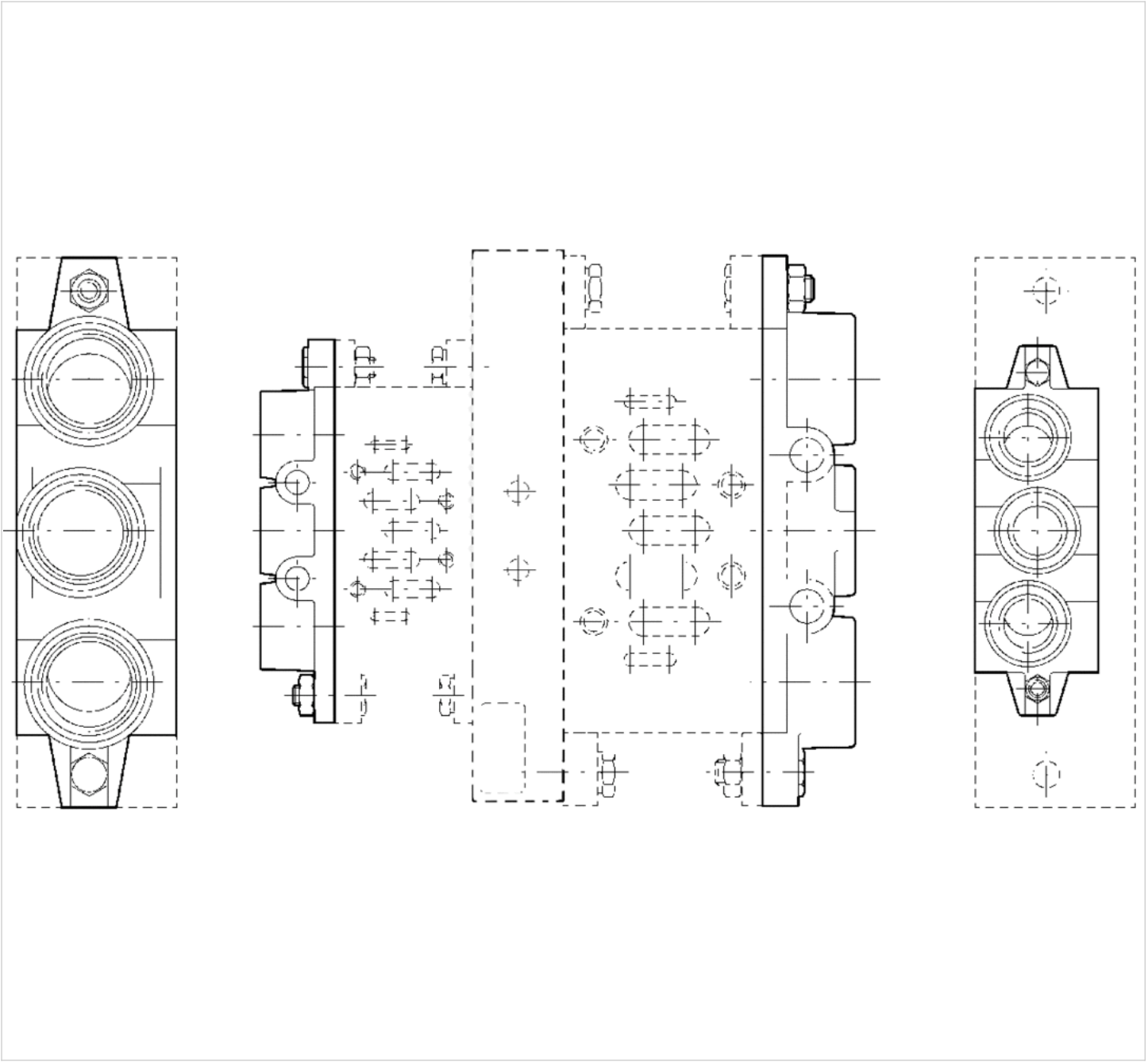
Technical information

The min. control pressure must be adhered to, since otherwise faulty switching and valve failure may result!
 The pressure dew point must be at least 15 °C under ambient and medium temperature and may not exceed 3 °C .
 The oil content of compressed air must remain constant during the life cycle.
 Use only the approved oils from AVENTICS. Further information can be found in the "Technical information" document (available in the MediaCentre).

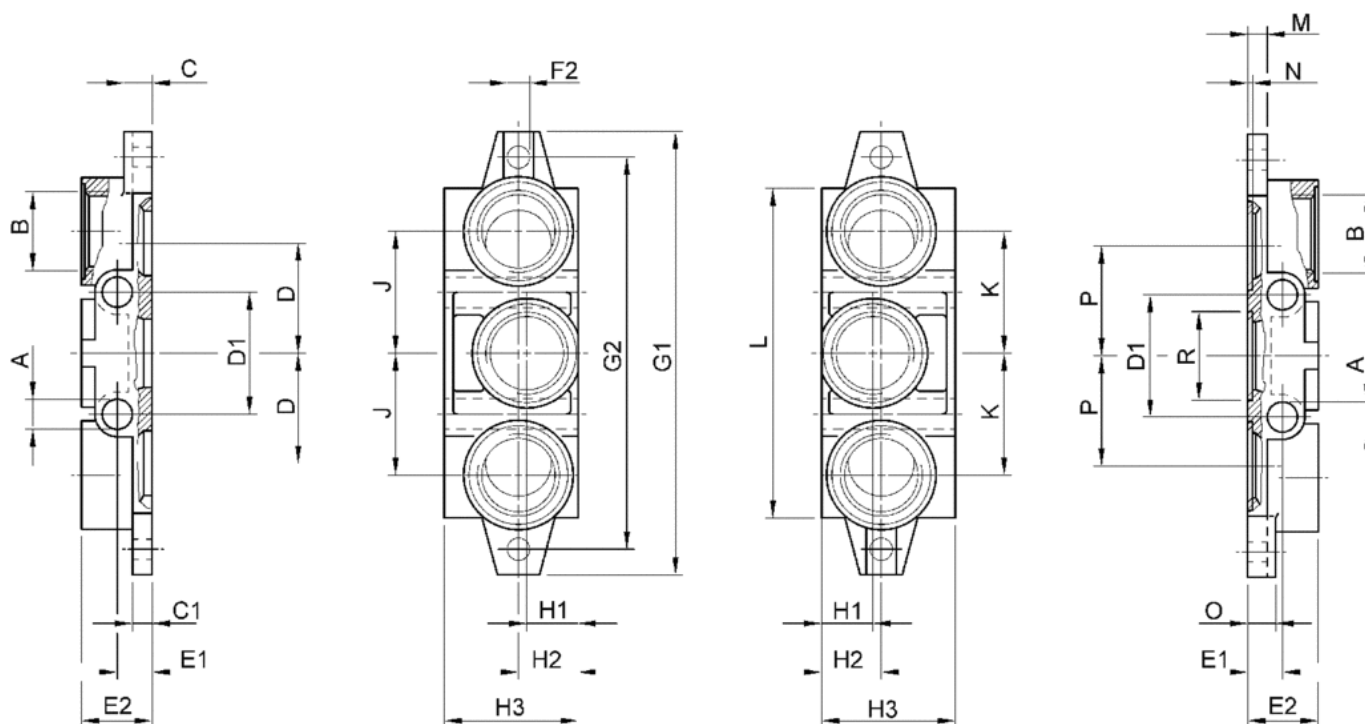
Technical information

Material	
Base plate	Die-cast aluminum
Seal	Acrylonitrile butadiene rubber

Dimensions



Dimensions



Dimensions

	ISO 1	ISO 2	ISO 3
A	7	9	12
B	G 3/8	G 1/2	G 1
C	8	11	12
C1	6	8	8
D	24	31,5	47
D1	28	35	52
E1	11	13	15
E2	22	26	32
F2	Ø 5,5	Ø 6,6	Ø 9
G1	110	135	190

	ISO 1	ISO 2	ISO 3
G2	95	115	168
H1	22	23	22
H2	22	24	25
H3	46	47	56
J	28	34	52
K	28	34	52
L	85	100	140
M	6	8	8
N	2	2	2,7
O	8	11	12
P	24	31,5	47
R	Ø 22,1	Ø 28,7	Ø 38

Angle subplate

- standard ISO 5599-1
- Frame size ISO 1
- type F
- Compressed air connection output G 1/4



Standards	ISO 5599-1
Working pressure min./max.	0 ... 10 bar
Ambient temperature min./max.	-15 ... 80 °C
Medium temperature min./max.	-15 ... 80 °C
Medium	Compressed air
Direction of pneumatic port (2,4)	On the side
Mounting screw	with hexagon socket
Weight	0,413 kg

Technical data

Part No.	Compressed air connection Output [2 / 4]
1825503170	G 1/4

Technical information

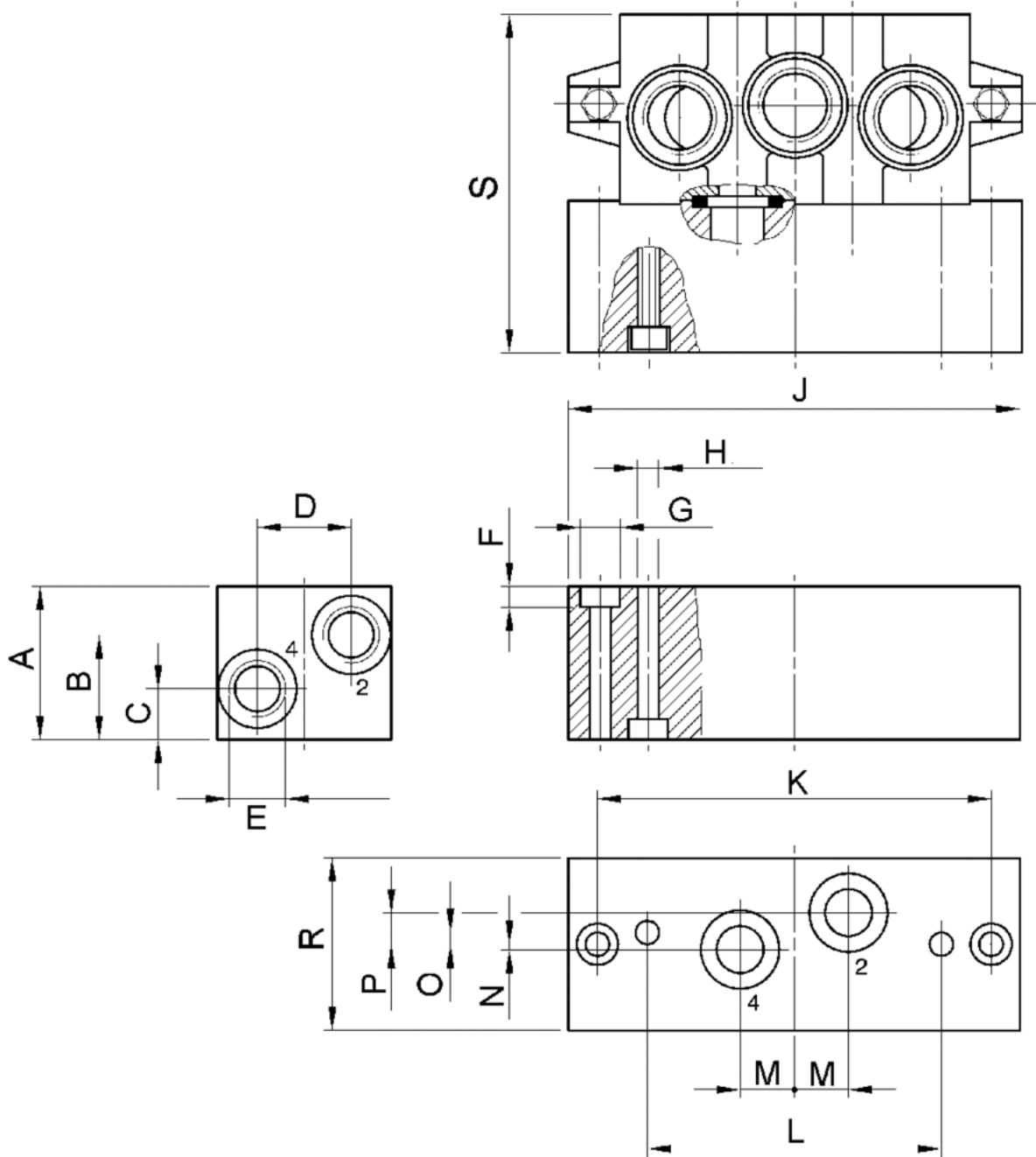
The min. control pressure must be adhered to, since otherwise faulty switching and valve failure may result!
 The pressure dew point must be at least 15 °C under ambient and medium temperature and may not exceed 3 °C .
 The oil content of compressed air must remain constant during the life cycle.
 Use only the approved oils from AVENTICS. Further information can be found in the "Technical information" document (available in the MediaCentre).

Technical information

Material	
Base plate	Aluminum
Seal	Acrylonitrile butadiene rubber

Dimensions

Dimensions



Dimensions

Part No.	A	B	C	D	E	F	G	H	J	K	L	M	N	O	P	R	S
1825503170	37	25	12	22	G 1/4	5,7	Ø 10	Ø 5,5	110	95	71	13	1,5	3	7,5	42	81

Supply plate

- standard ISO 5599-1
- Frame size ISO 1
- type F
- Reversed pressure supply permissible



Standards	ISO 5599-1
Working pressure min./max.	-0,95 ... 16 bar
Ambient temperature min./max.	-25 ... 70 °C
Medium temperature min./max.	-25 ... 70 °C
Medium	Compressed air
Direction of pneumatic port (1)	Down
Direction of pneumatic port (3,5)	Down
Exhaust type	Ports separated
Mounting screw	hexagon head
Weight	0,395 kg

Technical data

Part No.	Compressed air connection Input [1]	Compressed air connection Exhaust [3 / 5]
8985041162	G 3/8	G 3/8

Scope of delivery incl. seal and mounting screws

Technical information

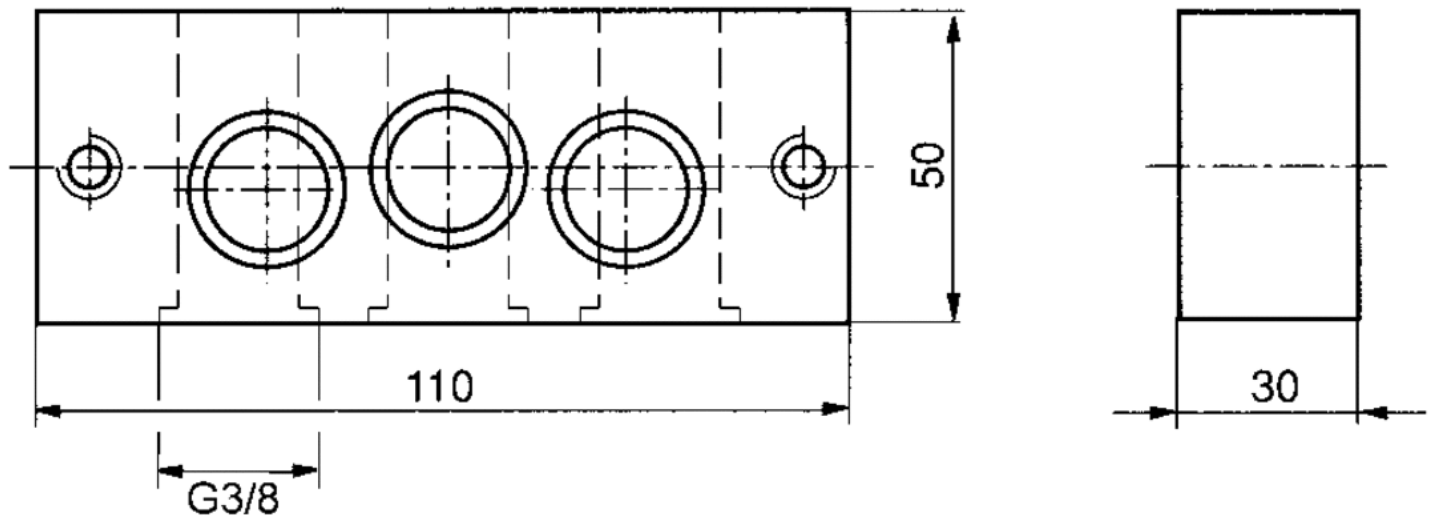
The min. control pressure must be adhered to, since otherwise faulty switching and valve failure may result!
 The pressure dew point must be at least 15 °C under ambient and medium temperature and may not exceed 3 °C .
 The oil content of compressed air must remain constant during the life cycle.
 Use only the approved oils from AVENTICS. Further information can be found in the "Technical information" document (available in the MediaCentre).

Technical information

Material	
Base plate	Aluminum
Seal	Acrylonitrile butadiene rubber

Dimensions

Dimensions



Blanking piece, Subbases ISO 5599-1

- standard ISO 5599-1, ISO 1 ISO 5599-1, ISO 2 ISO 5599-1, ISO 3

- type F



Standards

ISO 5599-1

Working pressure min./max.

-0,95 ... 10 bar

Ambient temperature min./max.

-25 ... 70 °C

Technical data

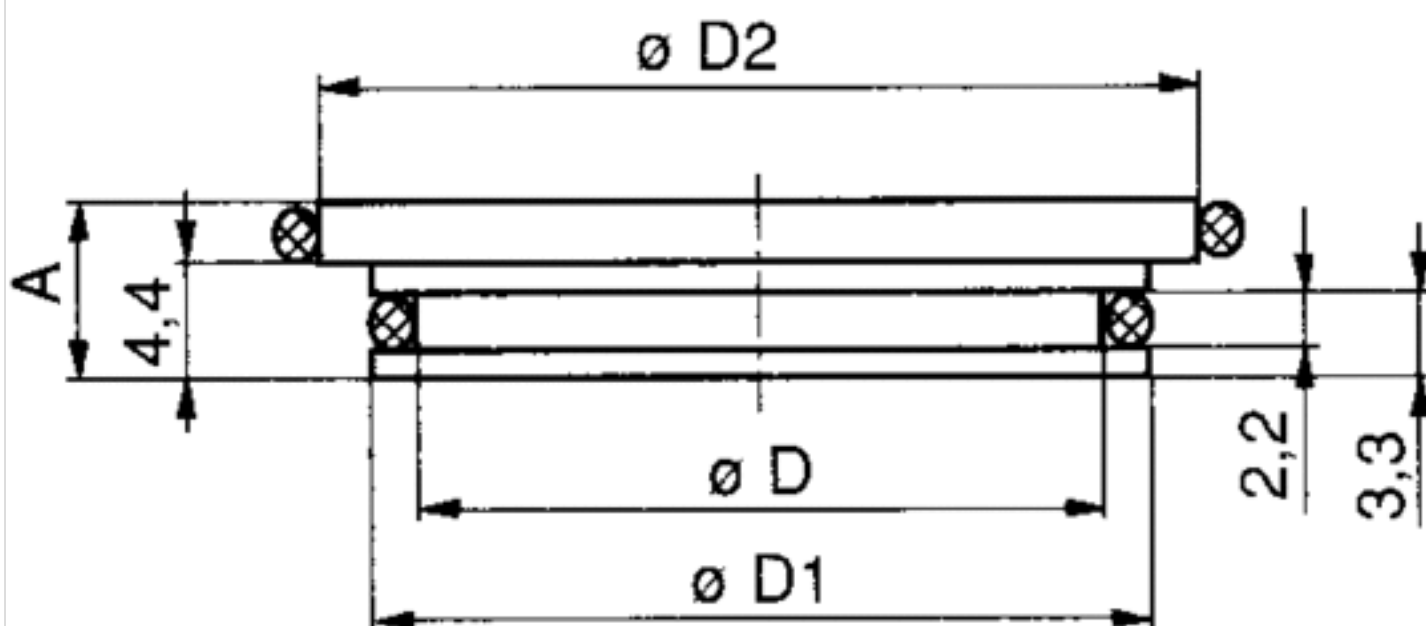
Part No.	Accessory type	Frame size
8985049012	type F	ISO 1
8985049022	type F	ISO 2
8985049032	type F	ISO 3

Technical information

Material	
Housing	Brass
Seal	Acrylonitrile butadiene rubber

Dimensions

Dimensions



Dimensions

Part No.	Frame size	A	D	D1	D2
8985049012	ISO 1	6.2	12.2	14.8	16.5
8985049022	ISO 2	6.2	15.7	18.3	23
8985049032	ISO 3	6.9	25.1	27.7	30

Accessories, for intermediate plates

- standard ISO 5599-1, ISO 1

- type F



Standards

ISO 5599-1

Technical data

Part No.	Type	Accessory type	Frame size	Delivery unit
1827009767	Mounting screw	type F	ISO 1	10 piece
R412000918	O-ring, Ø 17 mm, 12x2,62	type F	ISO 1	50 piece

End plate right

- standard ISO 5599-1
- Frame size ISO 1 ISO 2 ISO 3
- type C



Standards	ISO 5599-1
Working pressure min./max.	-0,95 ... 16 bar
Ambient temperature min./max.	-15 ... 70 °C
Medium temperature min./max.	-15 ... 70 °C
Medium	Compressed air
Weight	See table below

Technical data

Part No.	Frame size	Compressed air connection Input [1]	Compressed air connection Exhaust [3 / 5]	Weight
R432037651	ISO 1	G 3/8	G 3/8	0,32 kg
R432037653	ISO 2	G 3/4	G 3/4	0,491 kg
R432037655	ISO 3	G 1	G 1	1,32 kg

Scope of delivery incl. seal and mounting screws

Technical information

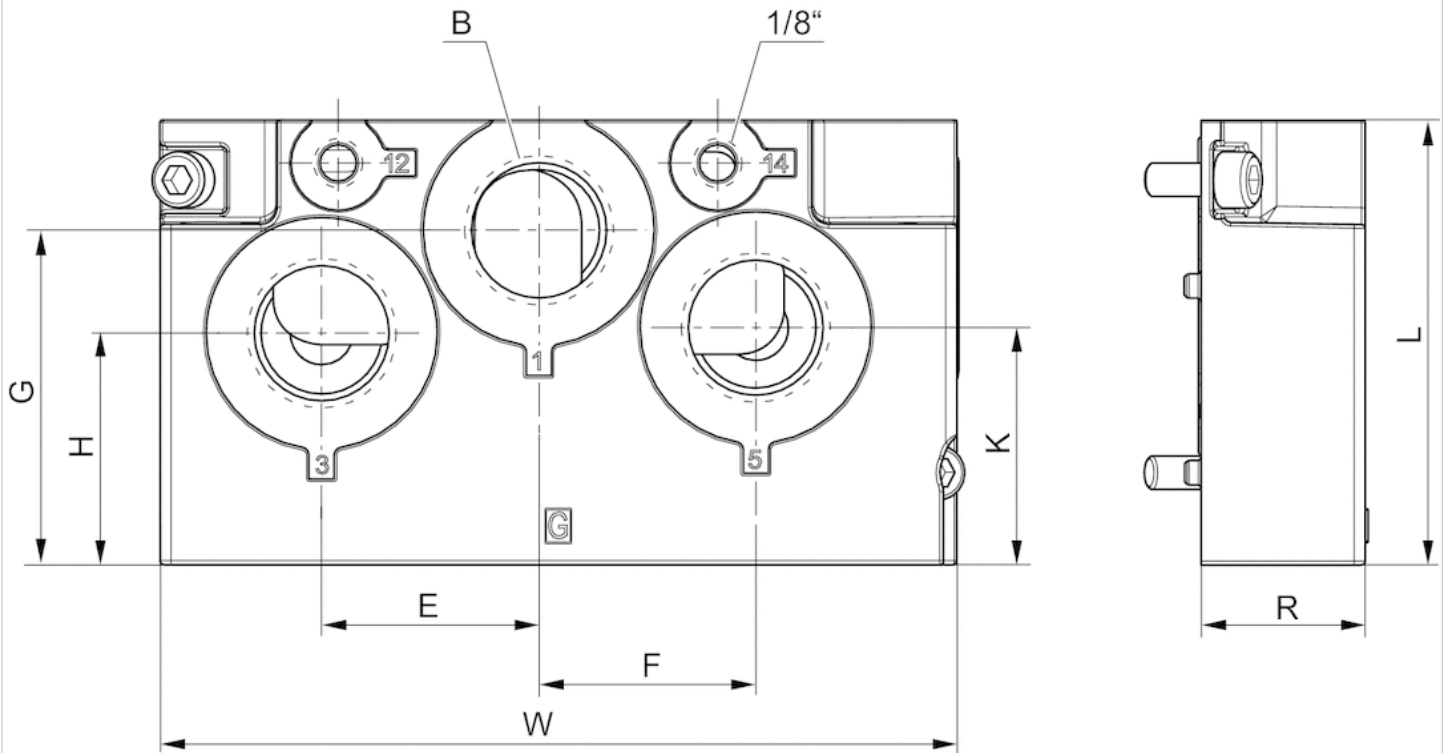
The min. control pressure must be adhered to, since otherwise faulty switching and valve failure may result!
 The pressure dew point must be at least 15 °C under ambient and medium temperature and may not exceed 3 °C .
 The oil content of compressed air must remain constant during the life cycle.
 Use only the approved oils from AVENTICS. Further information can be found in the "Technical information" document (available in the MediaCentre).

Technical information

Material	
Surface	painted
Base plate	Die-cast aluminum, black painted
Seal	Acrylonitrile butadiene rubber

Dimensions

Dimensions



Dimensions

Part No.	Frame size	B	E	F	G	H	J	K	R	L	W
R432037651	ISO 1	3/8	23	18	15.5	30	20	37.5	25	60.6	135
R432037653	ISO 2	3/4	39	39	60	41.5	38	42.5	29.5	79.7	143
R432037655	ISO 3	1	49	49	76	53	32	53	36	100	164

Base plate

- standard ISO 5599-1
- Frame size ISO 1 ISO 2 ISO 3
- type C
- Compressed air connection output G 3/8 G 1/2 G 3/4
- Can be assembled into blocks



Standards	ISO 5599-1
Working pressure min./max.	-1 ... 16 bar
Ambient temperature min./max.	-20 ... 70 °C
Medium temperature min./max.	-20 ... 70 °C
Medium	Compressed air
Direction of pneumatic port (1)	Both directions possible
Direction of pneumatic port (3,5)	Both directions possible
Exhaust type	Ports separated
Weight	See table below

Technical data

Part No.	Frame size	Compressed air connection Output [2 / 4]	Weight
R432037639	ISO 1	G 3/8	0,592 kg
R432037641	ISO 2	G 1/2	1,04 kg
R432037643	ISO 3	G 3/4	1,89 kg

Scope of delivery incl. seal and mounting screws

Technical information

The min. control pressure must be adhered to, since otherwise faulty switching and valve failure may result!

The pressure dew point must be at least 15 °C under ambient and medium temperature and may not exceed 3 °C .

The oil content of compressed air must remain constant during the life cycle.

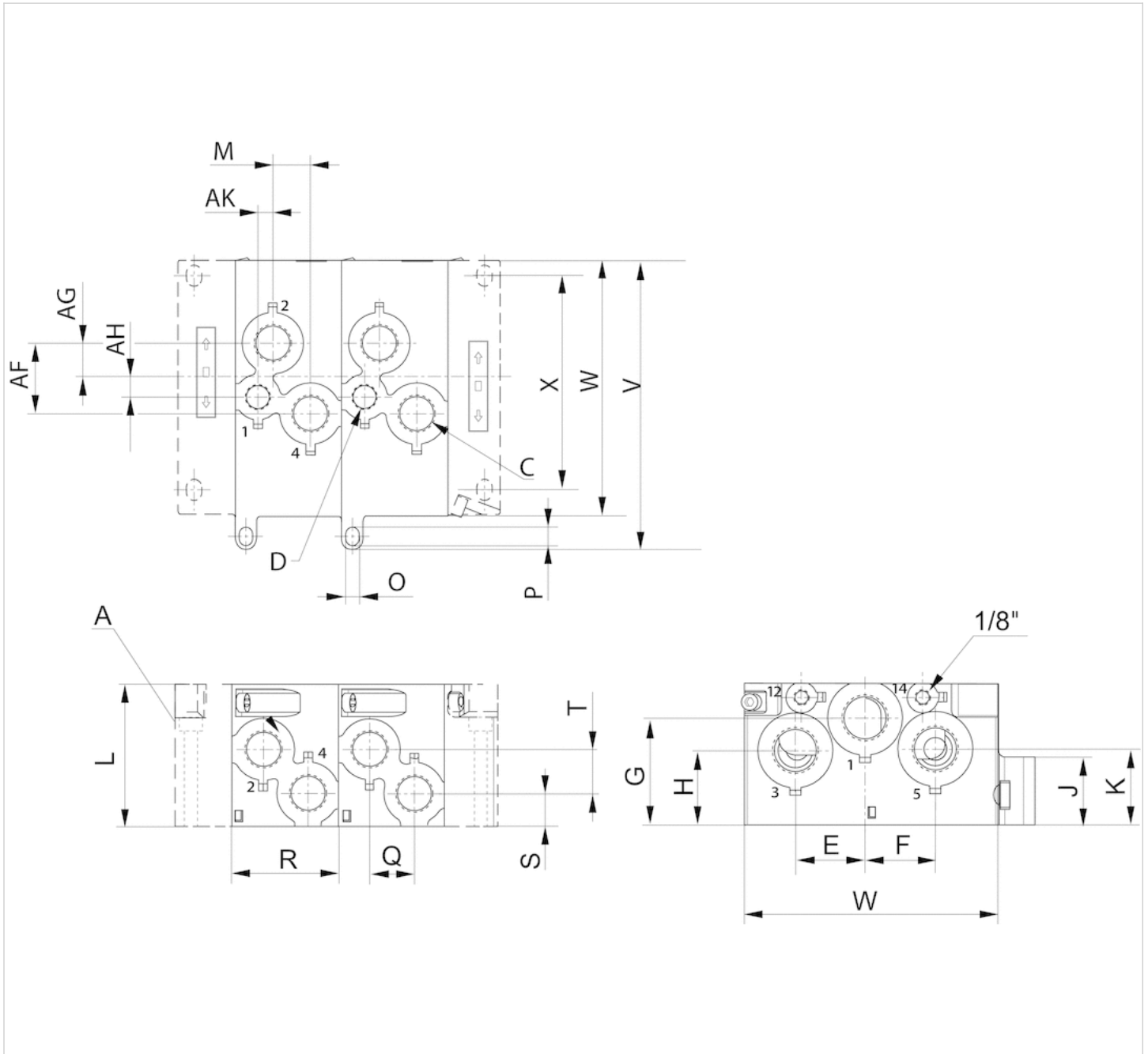
Use only the approved oils from AVENTICS. Further information can be found in the "Technical information" document (available in the MediaCentre).

Technical information

Material	
Surface	Painted
Base plate	Die-cast aluminum, black painted
Seal	Acrylonitrile butadiene rubber

Dimensions

Dimensions



A = left and right end plates in two versions

Dimensions

Part No.	A	D	C	AF	AG	AH	AK	E	F	G	H	J	K	L	M	O	P	R
R432037639	G 1/4	-	G 3/8	23.8	11.8	-	-	23	18	15,5	30	20	37,5	60.6	12	5.5	8.5	45
R432037641	G 1/2	G 3/8	G 1/2	39.5	19	11	8.2	39	39	60	41,5	38	42,5	79.7	21	5.5	9.3	59.5
R432037643	G 3/4	G 1/2	G 3/4	46.3	25.1	11.2	15.8	49	49	76	53	32	53	100	22.5	6.3	9.3	80

Q	S	T	X	W	V
18	13.3	14.7	102,5	135	150

Q	S	T	X	W	V
25	18	24.8	119,6	143	162,5
38	24.5	20.5	99	164	183

End plate left

- standard ISO 5599-1
- Frame size ISO 1 ISO 2 ISO 3
- type C



Standards	ISO 5599-1
Working pressure min./max.	-0,95 ... 16 bar
Ambient temperature min./max.	-15 ... 70 °C
Medium temperature min./max.	-15 ... 70 °C
Medium	Compressed air
Weight	See table below

Technical data

Part No.	Frame size	Compressed air connection Input [1]	Compressed air connection Exhaust [3 / 5]	Weight
R432037645	ISO 1	G 3/8	G 3/8	0,309 kg
R432037647	ISO 2	G 3/4	G 3/4	0,509 kg
R432037649	ISO 3	G 1	G 1	1,31 kg

Scope of delivery incl. seal and mounting screws

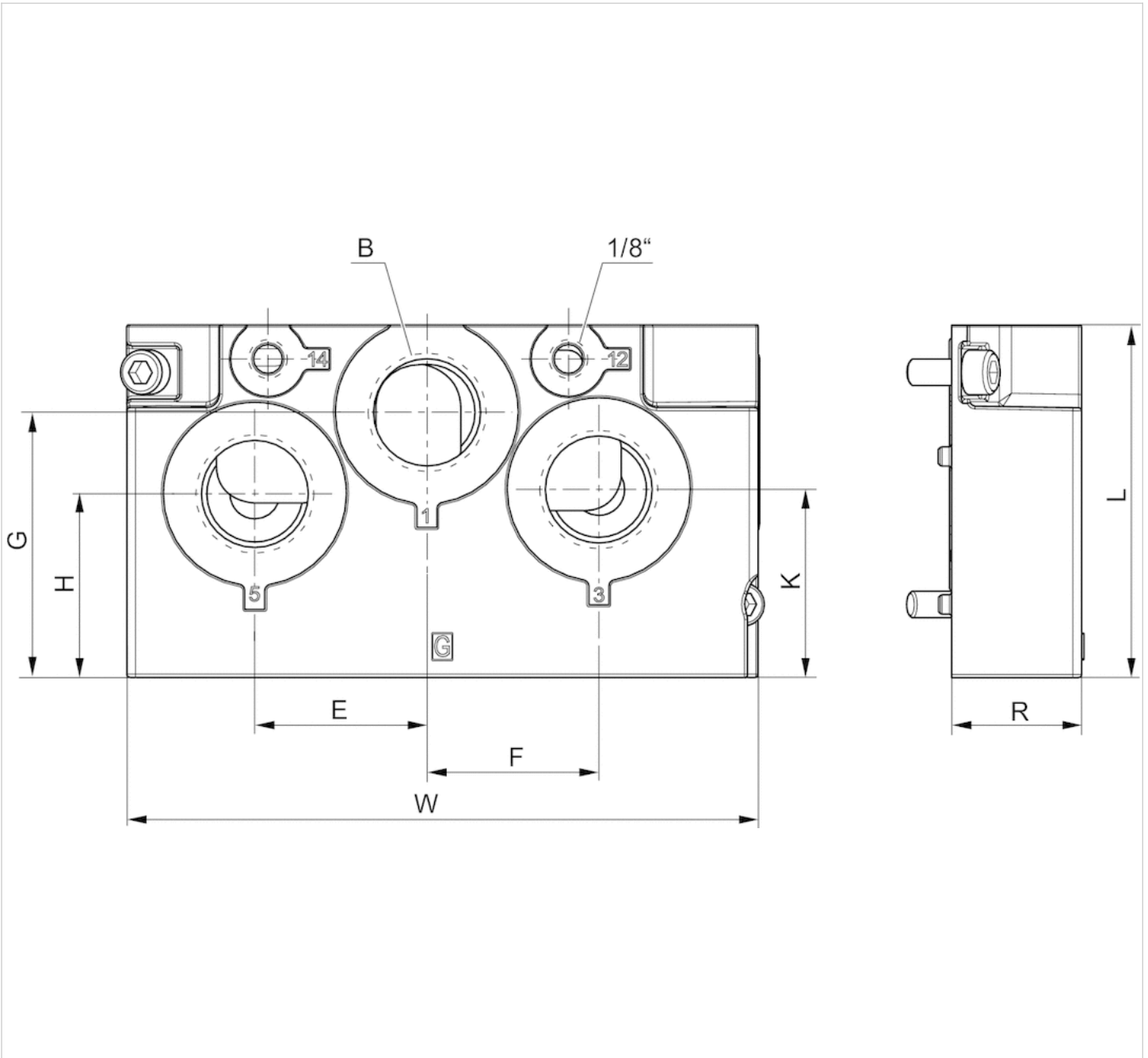
Technical information

The min. control pressure must be adhered to, since otherwise faulty switching and valve failure may result!
 The pressure dew point must be at least 15 °C under ambient and medium temperature and may not exceed 3 °C .
 The oil content of compressed air must remain constant during the life cycle.
 Use only the approved oils from AVENTICS. Further information can be found in the "Technical information" document (available in the MediaCentre).

Technical information

Material	
Base plate	Die-cast aluminum
Seal	Acrylonitrile butadiene rubber

Dimensions



Dimensions

Part No.	Frame size	B	E	F	G	H	J	K	L	R	W
R432037645	ISO 1	3/8	23	18	15.5	30	20	37.5	60.6	25	135
R432037647	ISO 2	3/4	39	39	60	41.5	38	42.5	79.7	32	143
R432037649	ISO 3	1	49	49	76	53	32	53	100	37	164

Blanking piece

- according to ISO 5599

- standard ISO 1 ISO 2 ISO 3

- type C



Weight

See table below

Technical data

Part No.	Type	Accessory type	Frame size	Weight
R432038306	Blanking piece	type C	ISO 1	0,009 kg
R432037662	Blanking piece	type C	ISO 2	0,009 kg
R432037663	Blanking piece	type C	ISO 3	0,02 kg

Base plate, ports 2 and 4 on bottom

- standard ISO 5599-1
- Frame size ISO 1
- type K
- Compressed air connection output G 1/8 G 1/4
- Can be assembled into blocks



Standards	ISO 5599-1
Working pressure min./max.	-1 ... 16 bar
Ambient temperature min./max.	-20 ... 70 °C
Medium temperature min./max.	-20 ... 70 °C
Medium	Compressed air
Number of valve positions max.	1
Direction of pneumatic port (2,4)	Down
Exhaust (3,5)	uncollected exhaust
Exhaust type	Ports separated
Weight	See table below

An example configuration is illustrated.
The delivered product may thus deviate from the illustration.

Technical data

Part No.	Compressed air connection Output [2 / 4]	Compressed air connection Pilot connection [12]	Weight	
5801720000	G 1/8	G 1/8	0,14 kg	-
5801750000	G 1/4	G 1/8	0,27 kg	1)

Scope of delivery incl. seal and mounting screws

1) Suitable for Mecproof cabinet mounting

Technical information

The min. control pressure must be adhered to, since otherwise faulty switching and valve failure may result!

The pressure dew point must be at least 15 °C under ambient and medium temperature and may not exceed 3 °C .

The oil content of compressed air must remain constant during the life cycle.

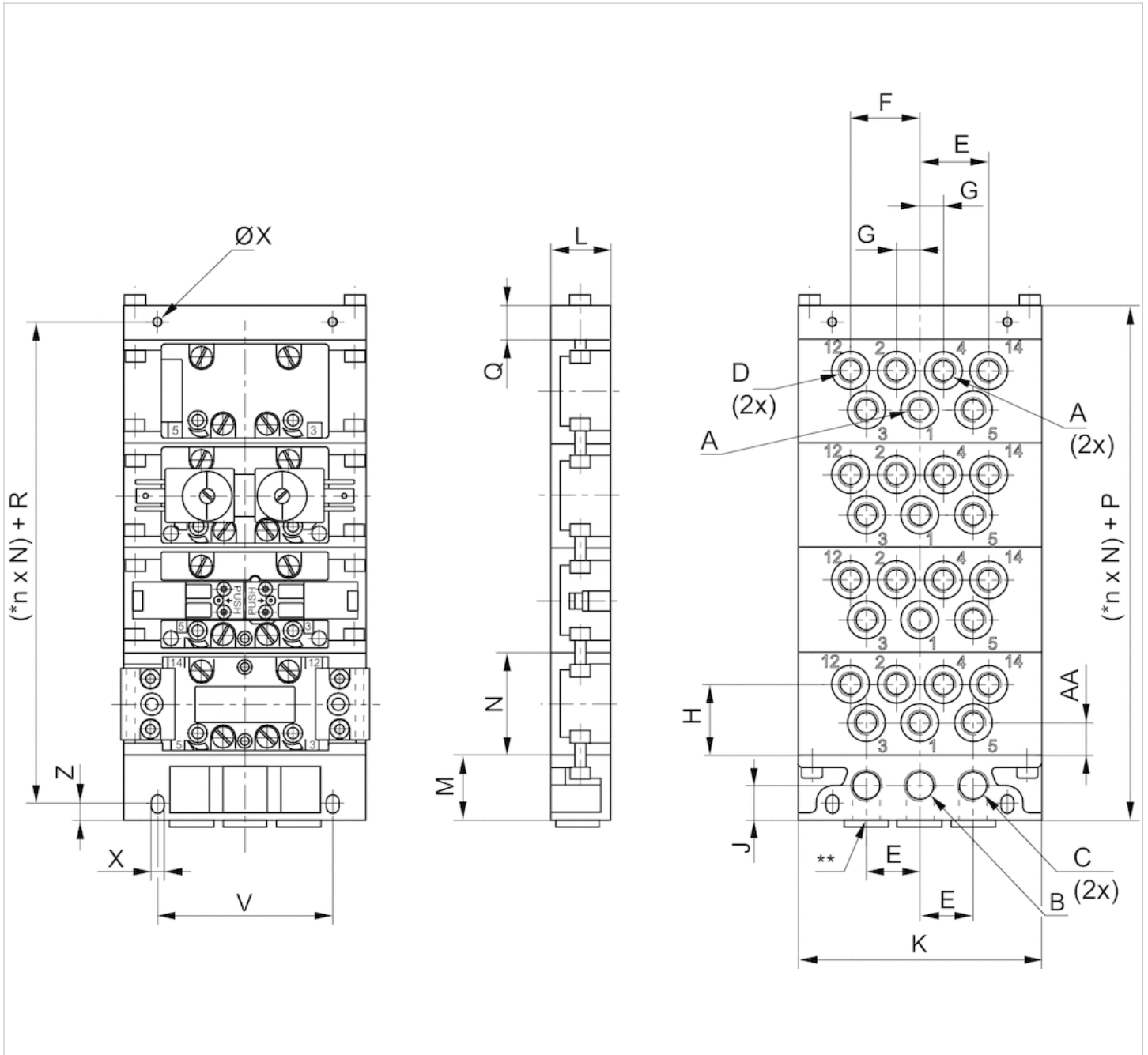
Use only the approved oils from AVENTICS. Further information can be found in the "Technical information" document (available in the MediaCentre).

Technical information

Material	
Base plate	Die-cast aluminum, black painted
Seal	Acrylonitrile butadiene rubber

Dimensions

Dimensions



* n = Number of subbases.

** Alternative port openings, closed with plugs

Dimensions

Part No.	*		A	B	C	D	E	F	G	H	J	K	L	M	N	P	Q	R	V
5801720000	a	ISO 1	G 1/8	G 1/4	G 1/4	G 1/8	22	28.5	9.5	29.5	14.5	100	25	27	43	41	14	27.5	72
5801750000	b	ISO 1	G 1/4	G 3/8	G 3/8	G 1/8	27	40	12.5	26.5	20	122	30	34	43	49	15	34	94

X	Z	AA
5.4	7	8

X	Z	AA
6.4	8	10

* Intermediate plates designated with the same letters (a-d) can be mounted together without a transition plate.

Intermediate plate for separate air supply, ports 2 and 4 on bottom

- standard ISO 5599-1
- Frame size ISO 1
- type K
- Compressed air connection output G 1/8 G 1/4
- Can be assembled into blocks



Standards	ISO 5599-1
Working pressure min./max.	-1 ... 16 bar
Ambient temperature min./max.	-20 ... 70 °C
Medium temperature min./max.	-20 ... 70 °C
Medium	Compressed air
Number of valve positions max.	1
Direction of pneumatic port (1)	Down
Direction of pneumatic port (3,5)	Down
Direction of pneumatic port (2,4)	Down
Direction of pneumatic port (14)	Down
Exhaust (3,5)	uncollected exhaust
Exhaust type	Ports separated
Weight	See table below

An example configuration is illustrated. The delivered product may thus deviate from the illustration.

Technical data

Part No.	Type	Compressed air connection Input [1]
5801670000	Intermediate plate for separate air supply	G 1/8
5801680000	Intermediate plate for separate air supply	G 1/4

Part No.	Compressed air connection Output [2 / 4]	Compressed air connection Pilot connection [12]	Port	Weight
5801670000	G 1/8	G 1/8	-	0,14 kg
5801680000	G 1/4	G 1/8	G 1/4	0,27 kg

Part No.	Part No.
5801670000	-
5801680000	1)

Scope of delivery incl. seal and mounting screws

1) Suitable for Mecproof cabinet mounting

Technical information

The min. control pressure must be adhered to, since otherwise faulty switching and valve failure may result!

The pressure dew point must be at least 15 °C under ambient and medium temperature and may not exceed 3 °C .

The oil content of compressed air must remain constant during the life cycle.

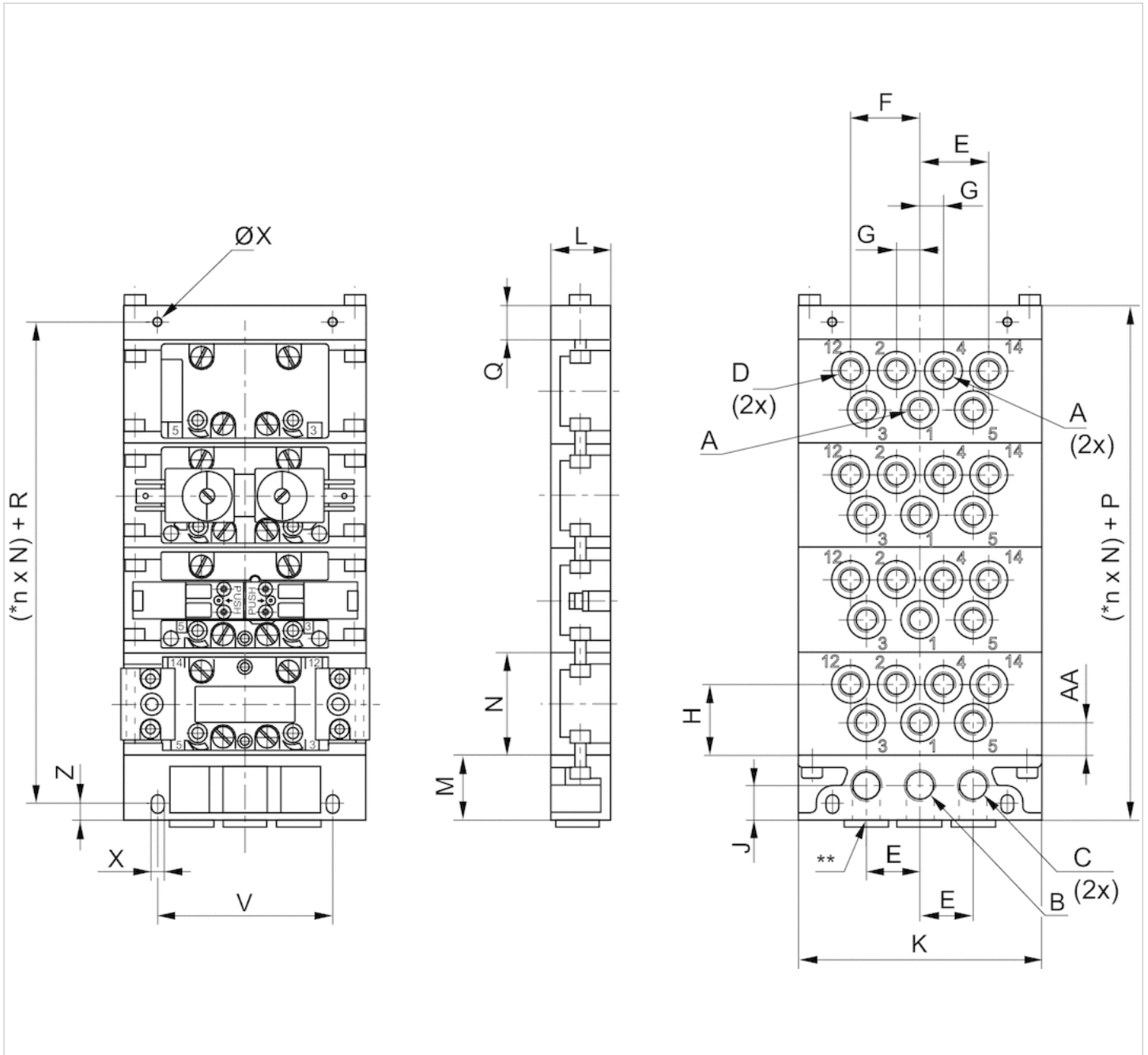
Use only the approved oils from AVENTICS. Further information can be found in the "Technical information" document (available in the MediaCentre).

Technical information

Material	
Base plate	Die-cast aluminum, black painted
Seal	Acrylonitrile butadiene rubber

Dimensions

Dimensions



* n = Number of subbases.

** Alternative port openings, closed with plugs

Dimensions

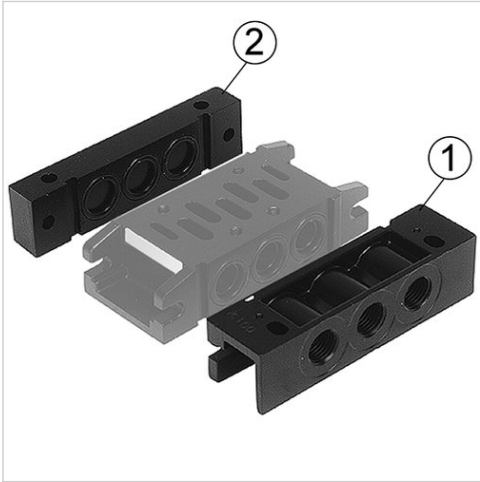
Part No.	ISO	A	B	C	D	E	F	G	H	J	K	L	M	N	P	Q	R	V
5801670000	ISO 1	G 1/8	G 1/4	G 1/4	G 1/8	22	28.5	9.5	29.5	14.5	100	25	27	43	41	14	27.5	72
5801680000	ISO 1	G 1/4	G 3/8	G 3/8	G 1/8	27	40	12.5	26.5	20	122	30	34	43	49	15	34	94

X	Z	AA
5.4	7	8

X	Z	AA
6.4	8	10

End plate left, End plate right

- standard ISO 5599-1
- Frame size ISO 1
- type K
- Can be assembled into blocks



Standards	ISO 5599-1
Working pressure min./max.	-1 ... 16 bar
Ambient temperature min./max.	-20 ... 70 °C
Medium temperature min./max.	-20 ... 70 °C
Medium	Compressed air
Exhaust (3,5)	uncollected exhaust
Exhaust type	Ports separated
Weight	See table below

An example configuration is illustrated.
The delivered product may thus deviate from the illustration.

Technical data

Part No.	Compressed air connection Input [1]	Compressed air connection Exhaust [3 / 5]	Weight
5801850000	G 1/4	G 1/4	0,15 kg
5801860000	-	-	0,08 kg

Technical information

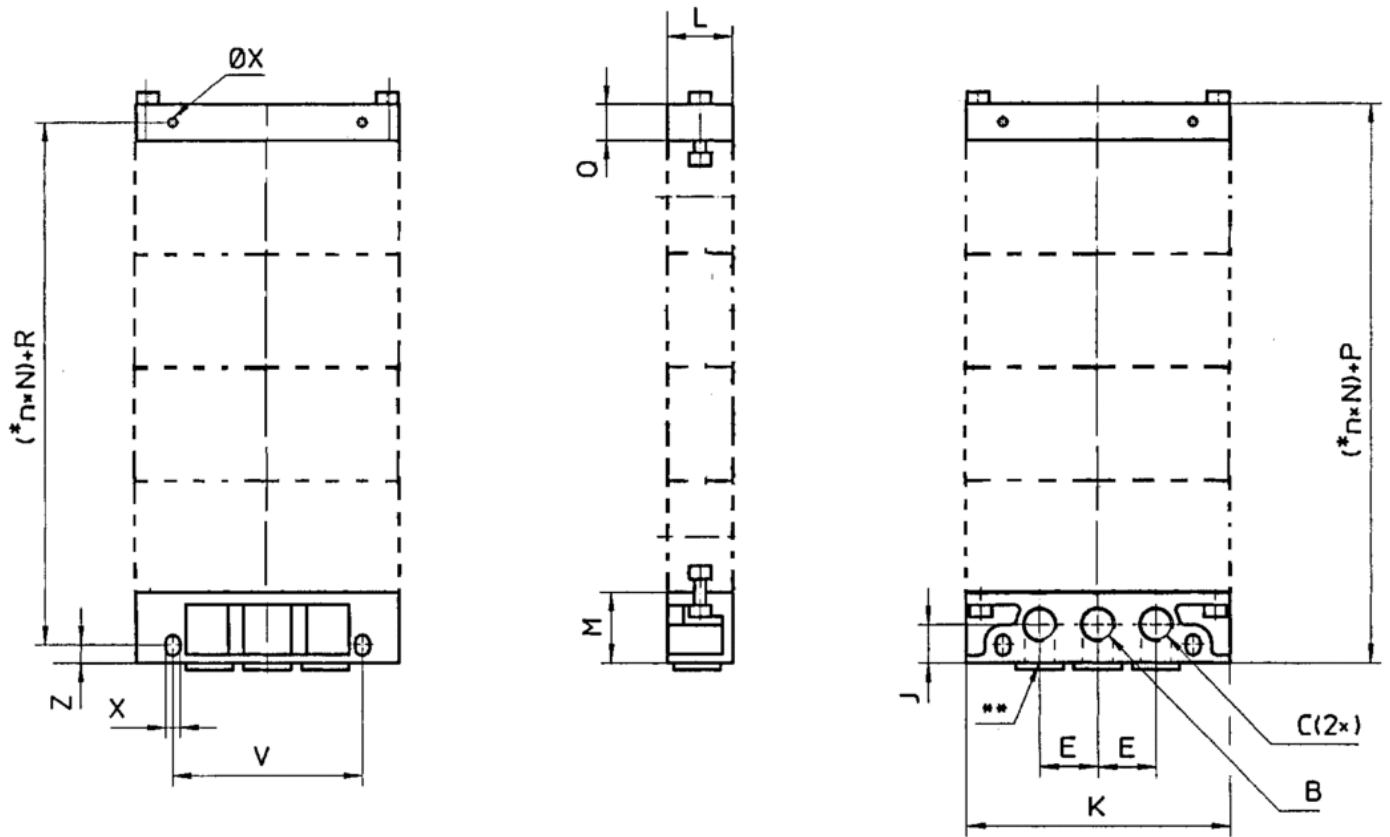
The min. control pressure must be adhered to, since otherwise faulty switching and valve failure may result!
The pressure dew point must be at least 15 °C under ambient and medium temperature and may not exceed 3 °C .
The oil content of compressed air must remain constant during the life cycle.
Use only the approved oils from AVENTICS. Further information can be found in the "Technical information" document (available in the MediaCentre).

Technical information

Material	
Surface	Painted
Base plate	Die-cast aluminum, black painted
Seal	Acrylonitrile butadiene rubber

Dimensions

Dimensions



* n = Number of subbases.

** Alternative port openings, closed with plugs

Dimensions

Part No.		B	C	E	J	K	L	M	P	Q	R	V	X	Z	Weight
5801850000	ISO 1	G 1/4	G 1/4	22	14.5	100	25	27	41	-	27.5	72	5.4	7	0,15 kg
5801860000	ISO 1	-	-	-	-	100	25	-	41	14	27.5	72	5.4	-	0,08 kg

Separator set

- standard ISO 5599-1, ISO 1

- type K



Standards

ISO 5599-1

Ambient temperature min./max.

-20 ... 70 °C

Weight

0,012 kg

An example configuration is illustrated.
The delivered product may thus deviate
from the illustration.

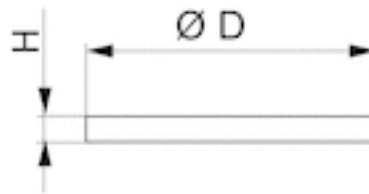
Technical data

Part No.	Type	Accessory type	Frame size	Delivery unit
5801880000	a	type K	ISO 1	3 piece

Technical information

Material	
Housing	Brass

Dimensions



Dimensions

Part No.	D	H
5801880000	13,2	2

Base plate, Ports 2 and 4 side or bottom

- standard ISO 5599-1
- Frame size ISO 1
- type G
- Compressed air connection output G 1/4
- Can be assembled into blocks



Standards	ISO 5599-1
Working pressure min./max.	-1 ... 16 bar
Ambient temperature min./max.	-20 ... 70 °C
Medium temperature min./max.	-20 ... 70 °C
Medium	Compressed air
Number of valve positions max.	1
Direction of pneumatic port (2,4)	Both directions possible
Direction of pneumatic port (14)	Down
Exhaust (3,5)	uncollected exhaust
Exhaust type	Ports separated
Weight	0,23 kg

An example configuration is illustrated. The delivered product may thus deviate from the illustration.

Technical data

Part No.	Compressed air connection Input [1]	Compressed air connection Output [2 / 4]
5801500000	G 1/4	G 1/4

Part No.	Compressed air connection Pilot connection [12]
5801500000	G 1/8

Scope of delivery incl. seal and mounting screws

Technical information

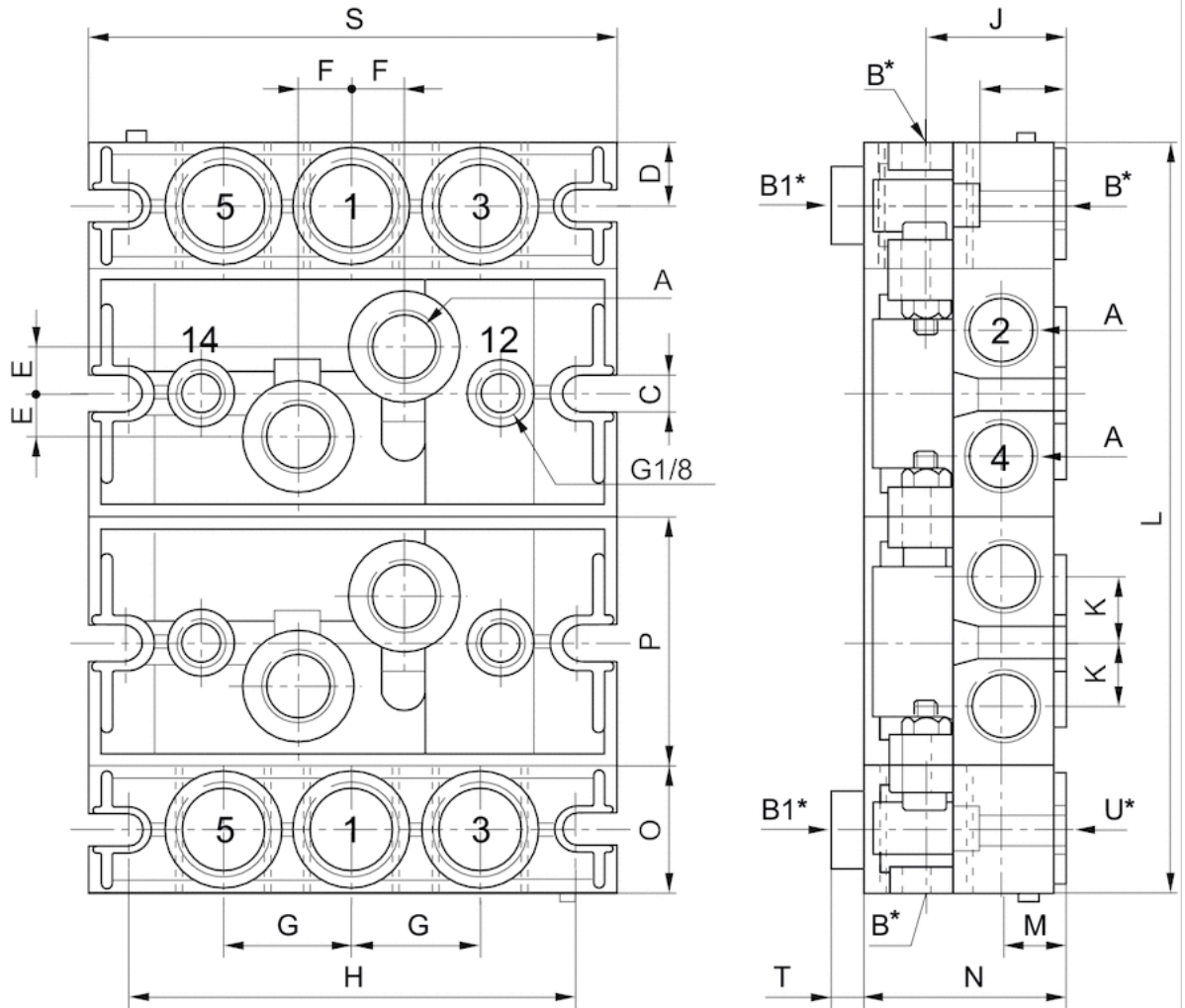
The min. control pressure must be adhered to, since otherwise faulty switching and valve failure may result!
 The pressure dew point must be at least 15 °C under ambient and medium temperature and may not exceed 3 °C .
 The oil content of compressed air must remain constant during the life cycle.
 Use only the approved oils from AVENTICS. Further information can be found in the "Technical information" document (available in the MediaCentre).

Technical information

Material	
Base plate	Die-cast aluminum
Seal	Acrylonitrile butadiene rubber

Dimensions

Dimensions



Dimensions

Part No.		A	B	B1	C	D	E	F	G	H	J	K	L	M
5801500000	ISO 1	2 x G 1/4	3 x G 3/8	3 x G 1/4	5.5	11	5.5	9	22	92	24	12	n x 43 + 44	12
N	O	P	R	S	T									
36	22	45.7	17	106	8									

n = number of subbases

End plate left, End plate right

- standard ISO 5599-1
- Frame size ISO 1
- type G
- Can be assembled into blocks
- Base plate principle, multiple
- Reversed pressure supply permissible



Standards	ISO 5599-1
Compressed air connection	according to ISO 5599-1
Working pressure min./max.	-1 ... 16 bar
Ambient temperature min./max.	-20 ... 70 °C
Medium temperature min./max.	-20 ... 70 °C
Medium	Compressed air
Direction of pneumatic port (1)	Both directions possible
Direction of pneumatic port (3,5)	Both directions possible
Exhaust (3,5)	uncollected exhaust
Exhaust type	Ports separated
Weight	0,26 kg

An example configuration is illustrated. The delivered product may thus deviate from the illustration.

Technical data

Part No.	Compressed air connection	
	Input [1]	Exhaust [3 / 5]
5801510000	G 3/8	G 3/8

Delivered in pairs with all ports closed. Porting can be in end, top, or bottom (both ends). Porting is selected by drilling through dimensions B*, B1*, or U* on drawing below., Scope of delivery incl. seal and mounting screws

Technical information

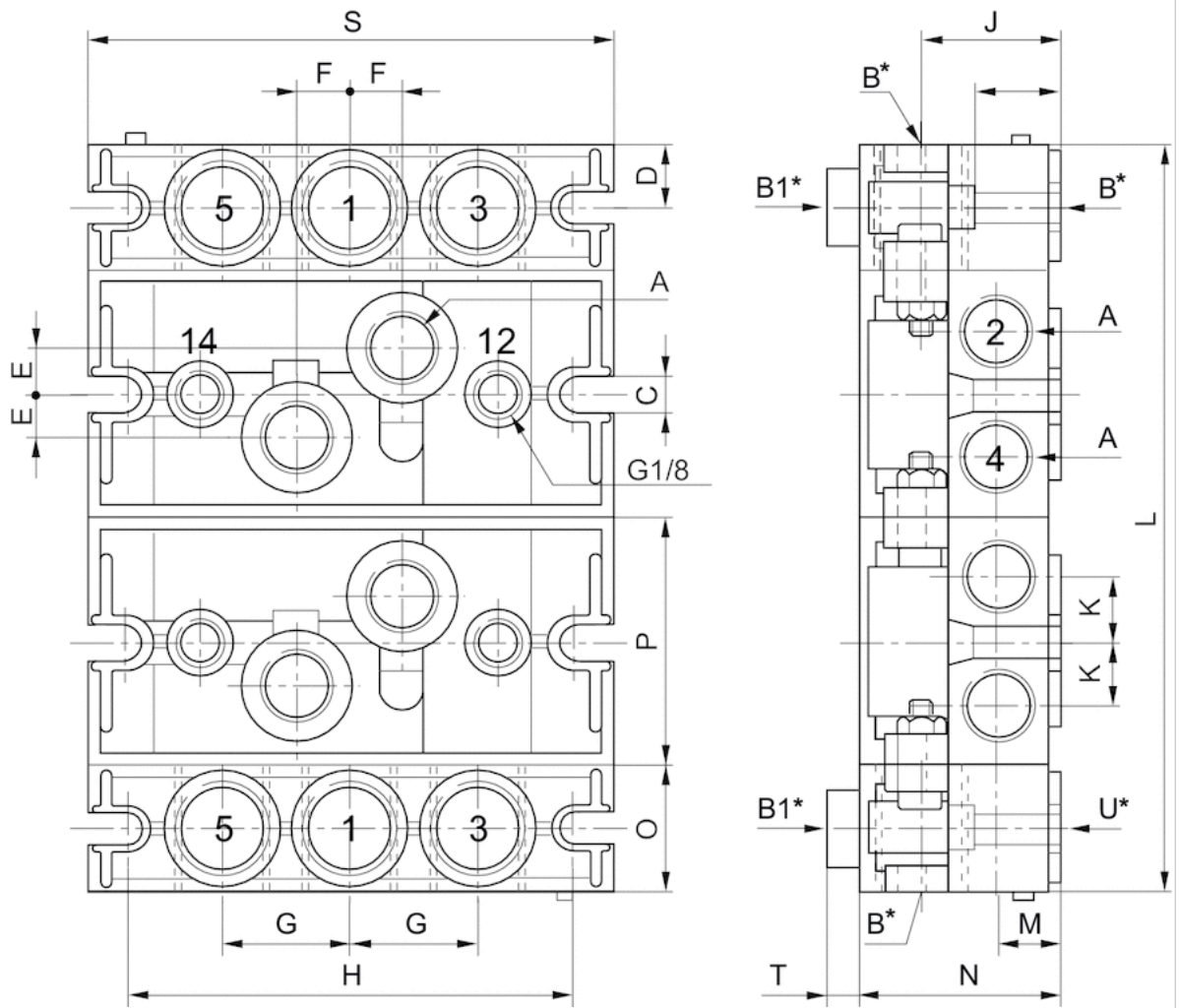
The min. control pressure must be adhered to, since otherwise faulty switching and valve failure may result!
 The pressure dew point must be at least 15 °C under ambient and medium temperature and may not exceed 3 °C .
 The oil content of compressed air must remain constant during the life cycle.
 Use only the approved oils from AVENTICS. Further information can be found in the "Technical information" document (available in the MediaCentre).

Technical information

Material	
Base plate	Die-cast aluminum
Seal	Acrylonitrile butadiene rubber

Dimensions

Dimensions



Dimensions

Part No.	ISO 1	A	B*	B1*	C	D	E	F	G	H	J	K	L	M
5801510000	ISO 1	2 x G 1/4	3 x G 3/8	3 x G 1/4	5.5	11	5.5	9	22	92	24	12	n x 43 + 44	12

N	O	P	R	S	T	U*
36	22	45.7	17	106	8	3 x G 3/8

n = number of subbases

*Dimensions B, B1, and U are prepared with threaded connections but must be drilled through as required for the desired porting configuration.

Transition plate

- standard ISO 5599-1
- Frame size ISO 1, ISO 2
- type G
- Can be assembled into blocks
- Reversed pressure supply permissible



Standards	ISO 5599-1
Working pressure min./max.	-1 ... 16 bar
Ambient temperature min./max.	-20 ... 70 °C
Medium temperature min./max.	-20 ... 70 °C
Medium	Compressed air
Exhaust (3,5)	uncollected exhaust
Exhaust type	Ports separated
Weight	0,27 kg

Technical data

Part No.

5802520000

Scope of delivery incl. seal and mounting screws

Technical information

The min. control pressure must be adhered to, since otherwise faulty switching and valve failure may result!
 The pressure dew point must be at least 15 °C under ambient and medium temperature and may not exceed 3 °C .
 The oil content of compressed air must remain constant during the life cycle.
 Use only the approved oils from AVENTICS. Further information can be found in the "Technical information" document (available in the MediaCentre).

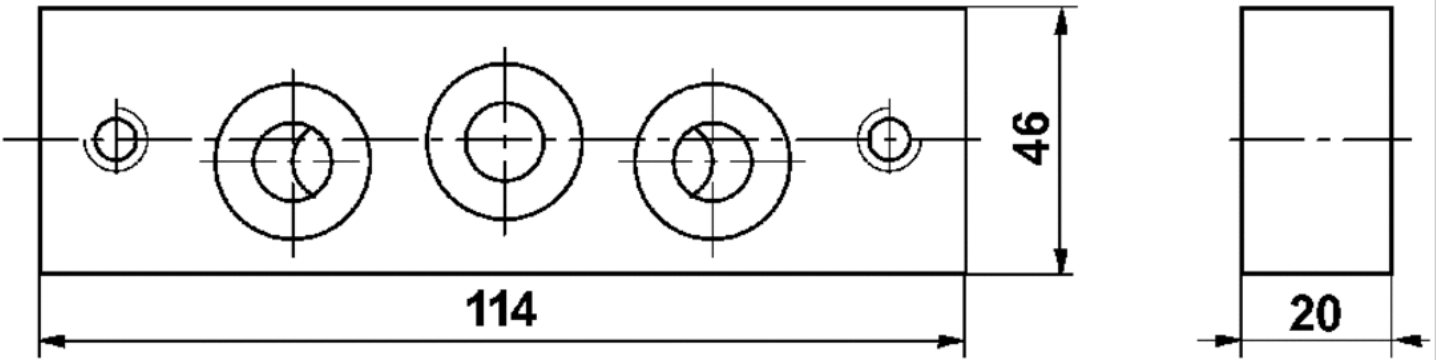
The transition plate is used for combining subbases of different sizes in the same manifold.

Technical information

Material	
Surface	painted
Base plate	Die-cast aluminum, black painted
Seal	Acrylonitrile butadiene rubber

Dimensions

Dimensions



Blanking piece

- standard ISO 5599-1

- type G



Standards

ISO 5599-1

Ambient temperature min./max.

-20 ... 70 °C

Weight

0,011 kg

Technical data

Part No.	Accessory type
5801530000	type G

Technical information

Material	
Housing	Brass
Seal	Acrylonitrile butadiene rubber

Base plate, Ports 2 and 4 on side, 1,2 and 4 also on bottom

- standard ISO 5599-1
- Frame size ISO 1
- type H
- Compressed air connection output G 1/4
- Can be assembled into blocks



Standards	ISO 5599-1
Working pressure min./max.	0 ... 16 bar
Ambient temperature min./max.	-15 ... 70 °C
Medium temperature min./max.	-15 ... 80 °C
Medium	Compressed air
Grid dimension	43 mm
Exhaust type	Ports separated
Mounting screw	with hexagon socket
Weight	See table below

Technical data

Part No.	Compressed air connection Input [1]	Compressed air connection Output [2 / 4]
1825503286	-	G 1/4
1825503288	-	G 1/4
1825503290	G 1/4	G 1/4
1825503292	G 1/4	G 1/4

Part No.	Compressed air connection Pilot connection [12]	Compressed air connection Pilot control exhaust [R]	Weight	Fig.
1825503286	M5	M5	0,24 kg	Fig. 1
1825503288	M5	M5	0,24 kg	Fig. 2
1825503290	M5	M5	0,27 kg	Fig. 3
1825503292	M5	M5	0,27 kg	Fig. 4

Part No.	
1825503286	1)
1825503288	2)
1825503290	3)
1825503292	4)

Scope of delivery incl. seal and mounting screws

- 1) Ports 2 and 4 on side, control pressure connection 12 and 14: single connection
- 2) Ports 2 and 4 on side, control pressure connection 12 and 14: central manifold
- 3) Ports 2 and 4 on side, 1,2 and 4 also on bottom, control pressure connection 12 and 14: single connection
- 4) Ports 2 and 4 on side, 1,2 and 4 also on bottom, control pressure connection 12 and 14: central manifold

Technical information

The min. control pressure must be adhered to, since otherwise faulty switching and valve failure may result!

The pressure dew point must be at least 15 °C under ambient and medium temperature and may not exceed 3 °C .

The oil content of compressed air must remain constant during the life cycle.

Use only the approved oils from AVENTICS. Further information can be found in the “Technical information” document (available in the MediaCentre).

Technical information

Material	
Housing	Die-cast aluminum
Base plate	Die-cast aluminum
Seal	Acrylonitrile butadiene rubber

Dimensions

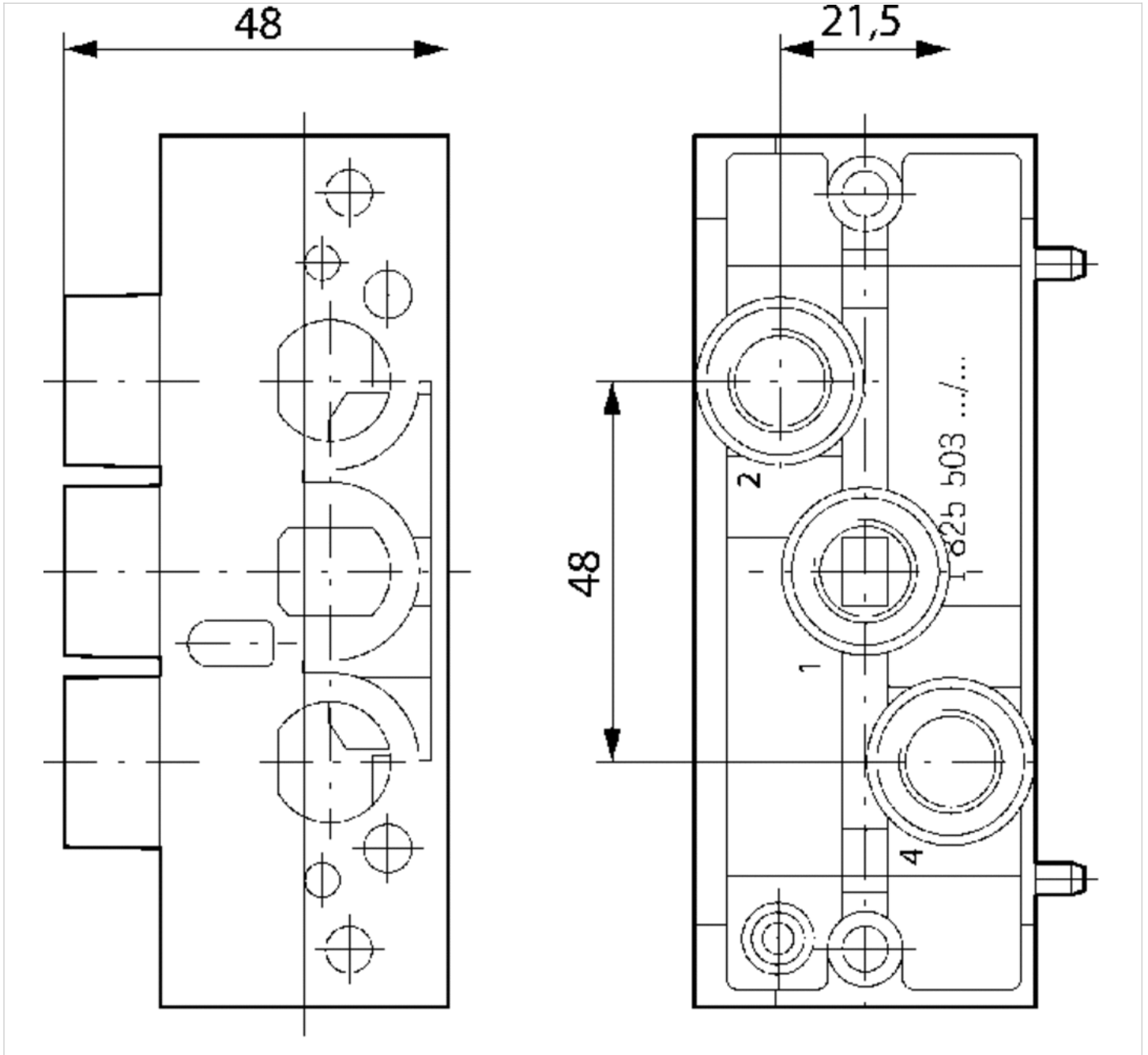
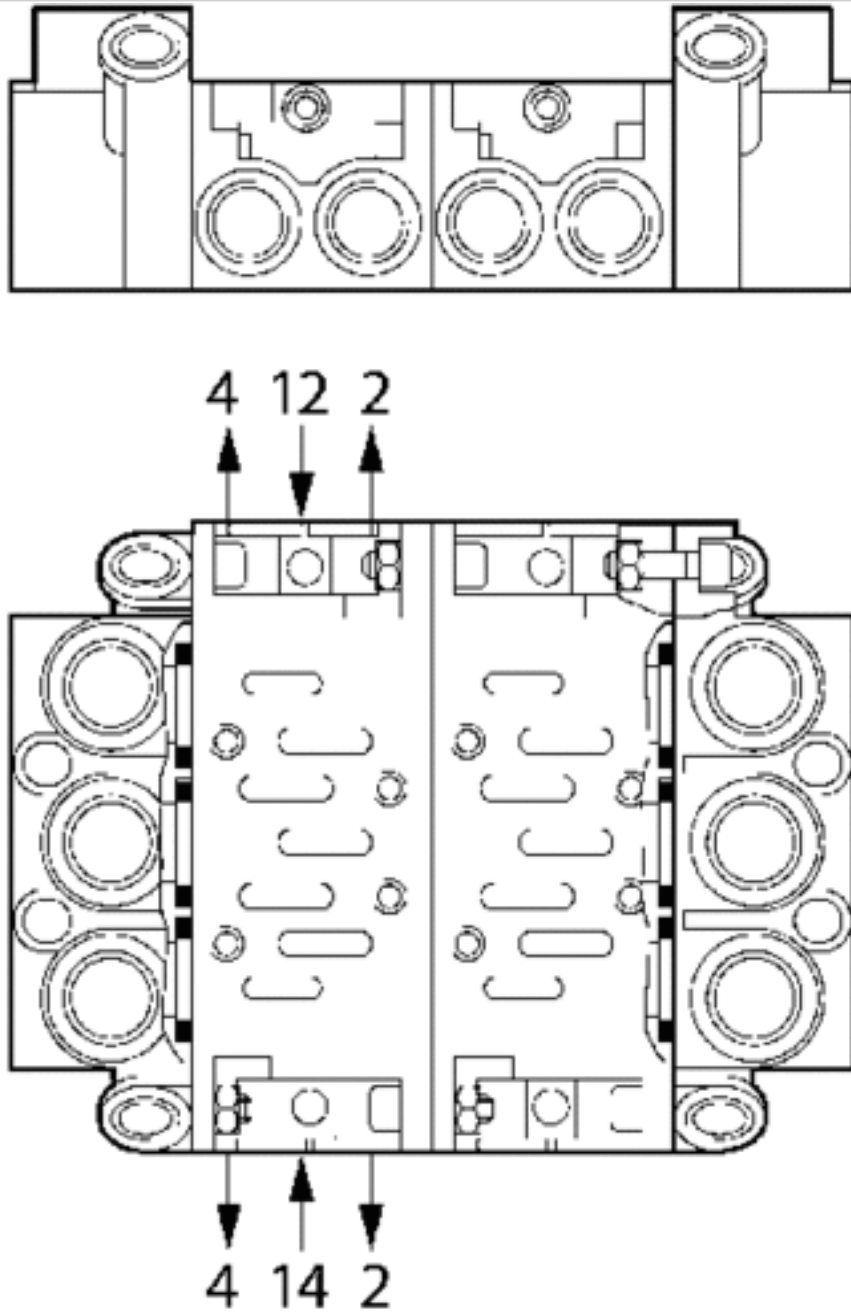


Fig. 1, ports 2 and 4 on side, Control pressure connection 12+14: single connection



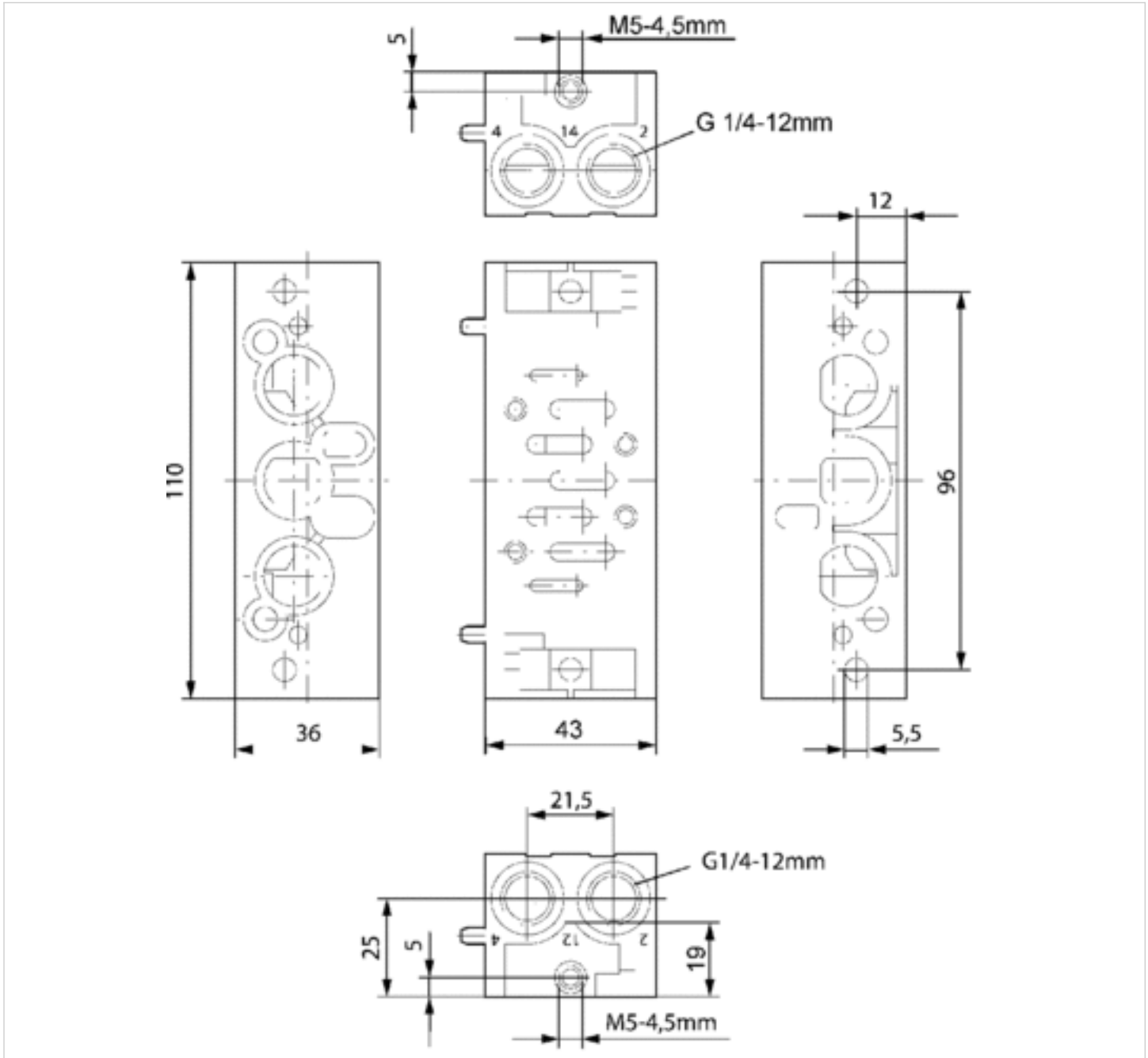
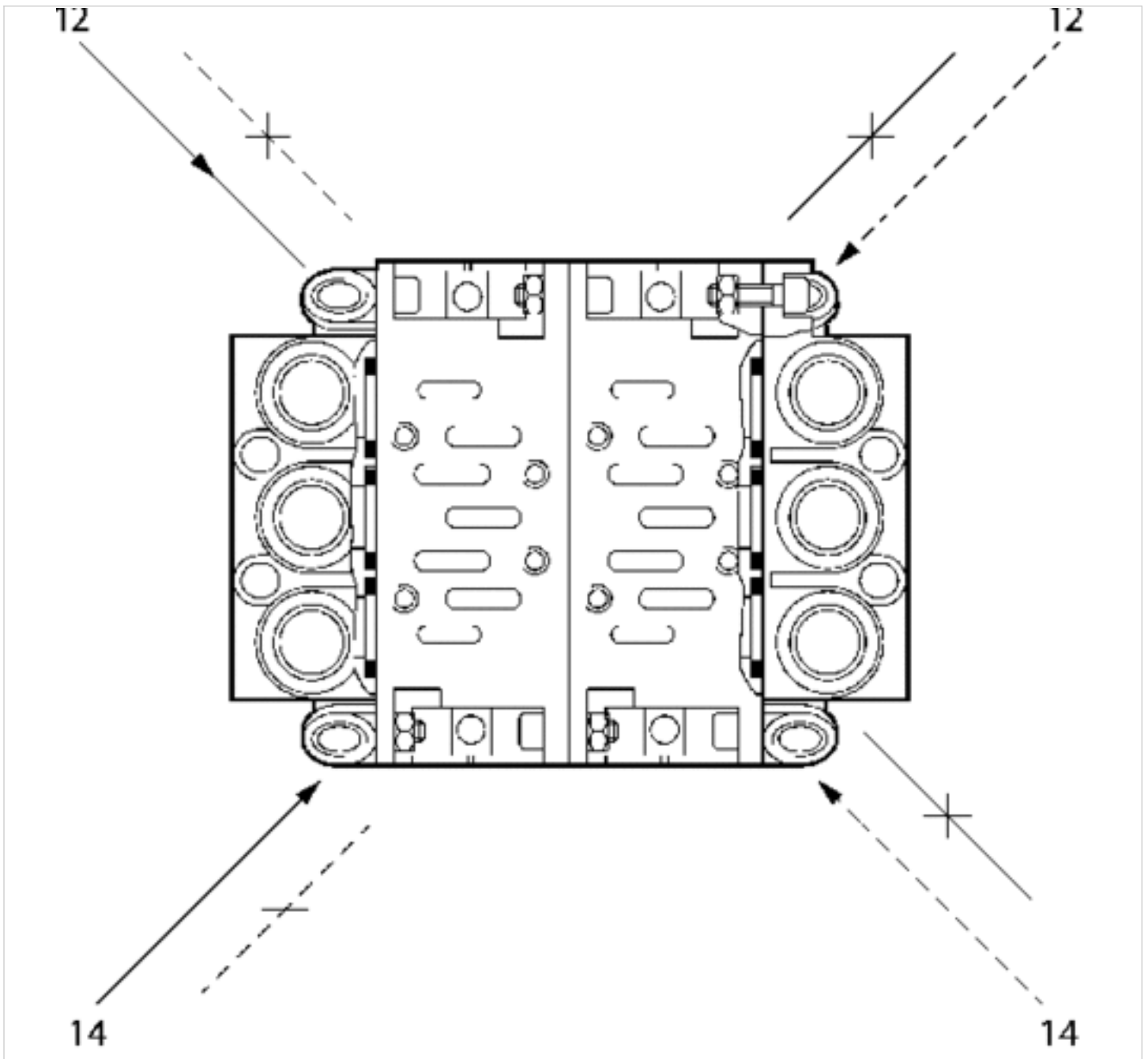


Fig. 2, ports 2 and 4 on side, Control pressure connection 12+14: central manifold



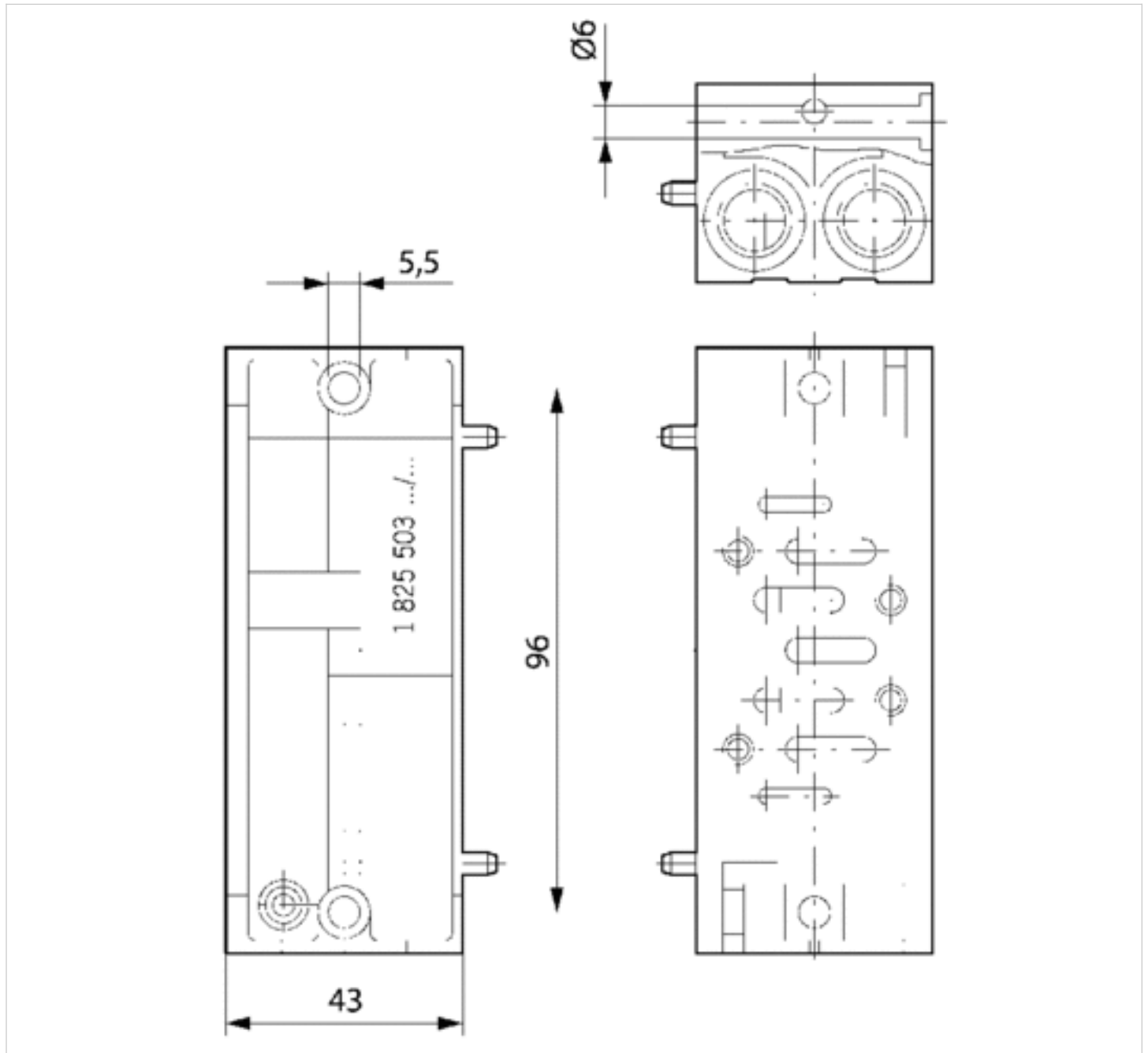


Fig. 3, Ports 2 and 4 on side, 1,2 and 4 also on bottom, Control pressure connection 12+14: single connection

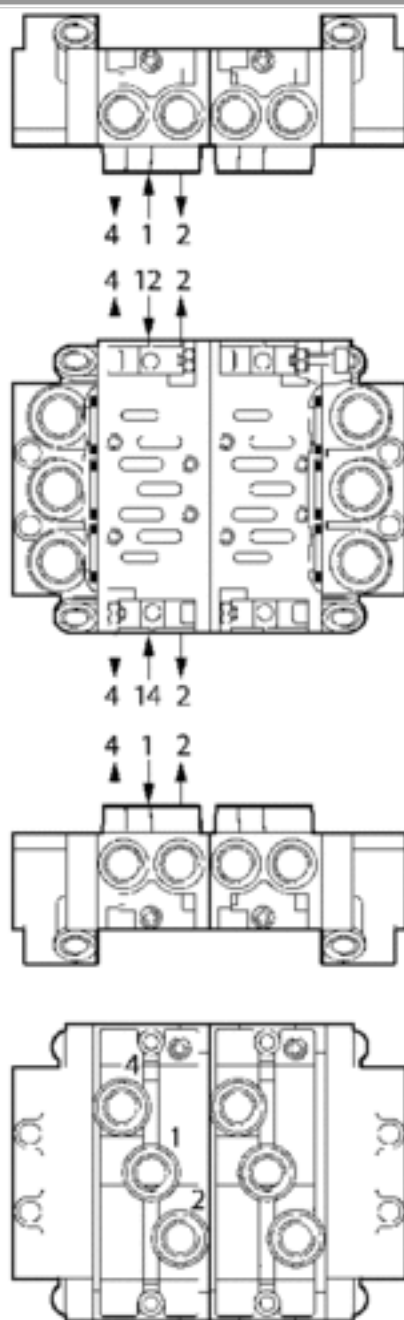
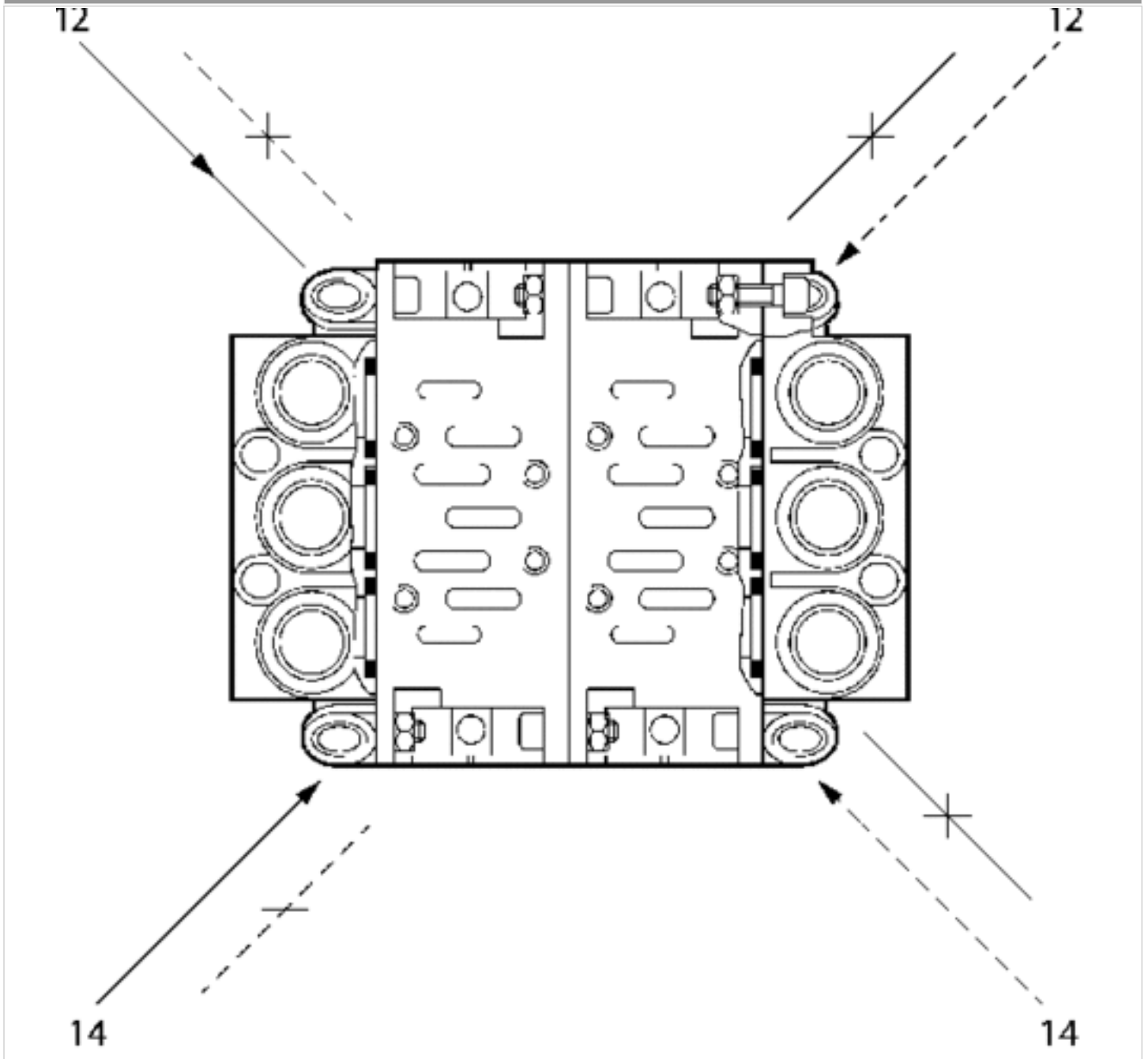


Fig. 4, Ports 2 and 4 on side, 1,2 and 4 also on bottom, Control pressure connection 12+14: central manifold



End plate left, End plate right

- standard ISO 5599-1
- Frame size ISO 1
- type H
- Can be assembled into blocks



Standards	ISO 5599-1
Working pressure min./max.	0 ... 16 bar
Ambient temperature min./max.	-15 ... 70 °C
Medium temperature min./max.	-15 ... 70 °C
Medium	Compressed air
Exhaust (3,5)	With directional exhaust (3/5)
Exhaust type	Ports separated
Mounting screw	with hexagon socket
Weight	See table below

Technical data

Part No.	Compressed air connection Input [1]	Compressed air connection Exhaust [3 / 5]
1825503294	G 3/8	G 3/8
1825503297	G 3/8	G 3/8

Part No.	Compressed air connection Pilot connection [12]	Compressed air connection Pilot control exhaust [R]	Weight	Fig.
1825503294	G 1/8	G 1/8	0,404 kg	Fig. 1
1825503297	G 1/8	G 1/8	0,382 kg	Fig. 2

Scope of delivery incl. seal and mounting screws

Technical information

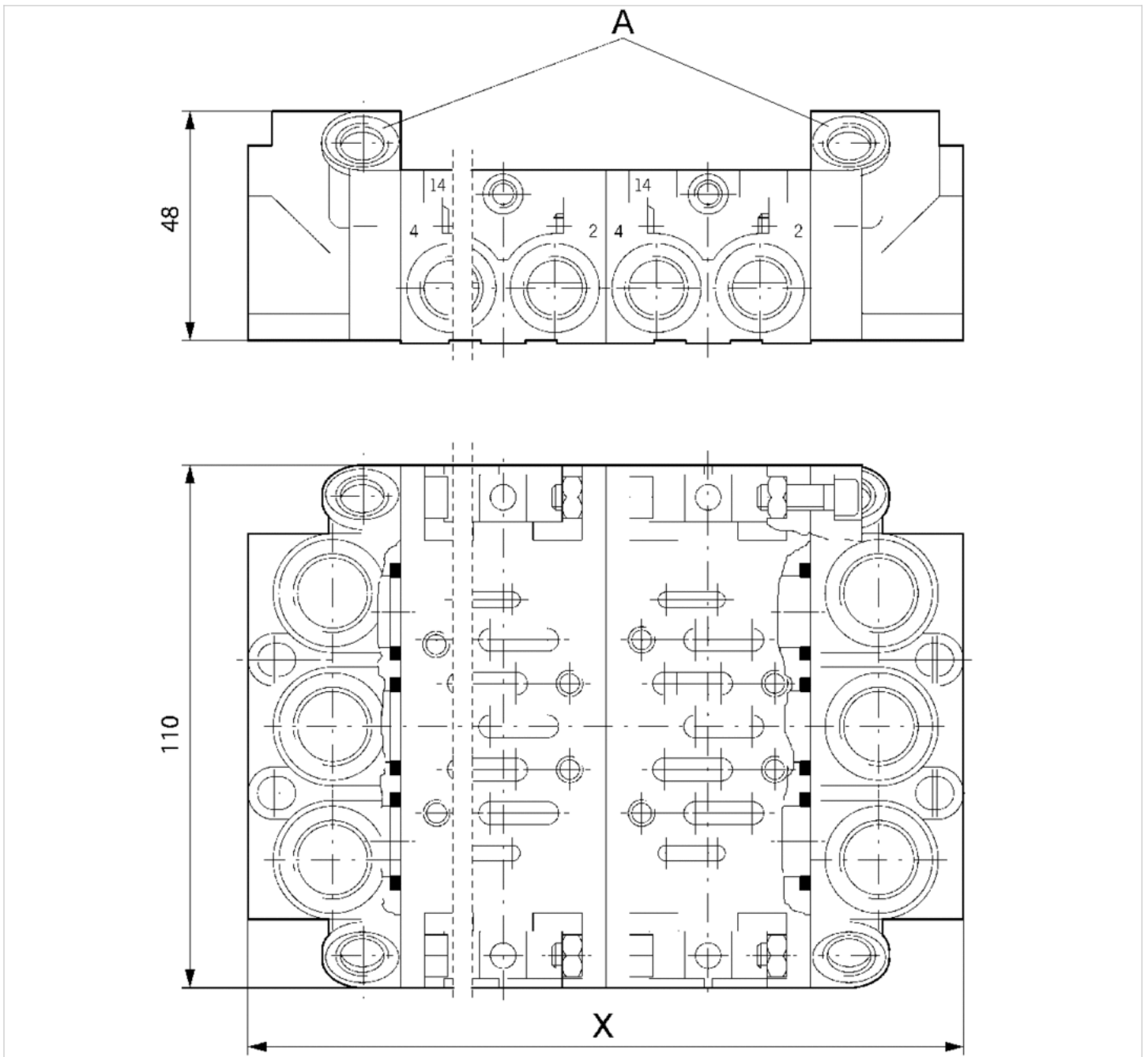
The min. control pressure must be adhered to, since otherwise faulty switching and valve failure may result!
 The pressure dew point must be at least 15 °C under ambient and medium temperature and may not exceed 3 °C .
 The oil content of compressed air must remain constant during the life cycle.
 Use only the approved oils from AVENTICS. Further information can be found in the "Technical information" document (available in the MediaCentre).

Technical information

Material	
Base plate	Die-cast aluminum
Seal	Acrylonitrile butadiene rubber

Dimensions

Dimensions



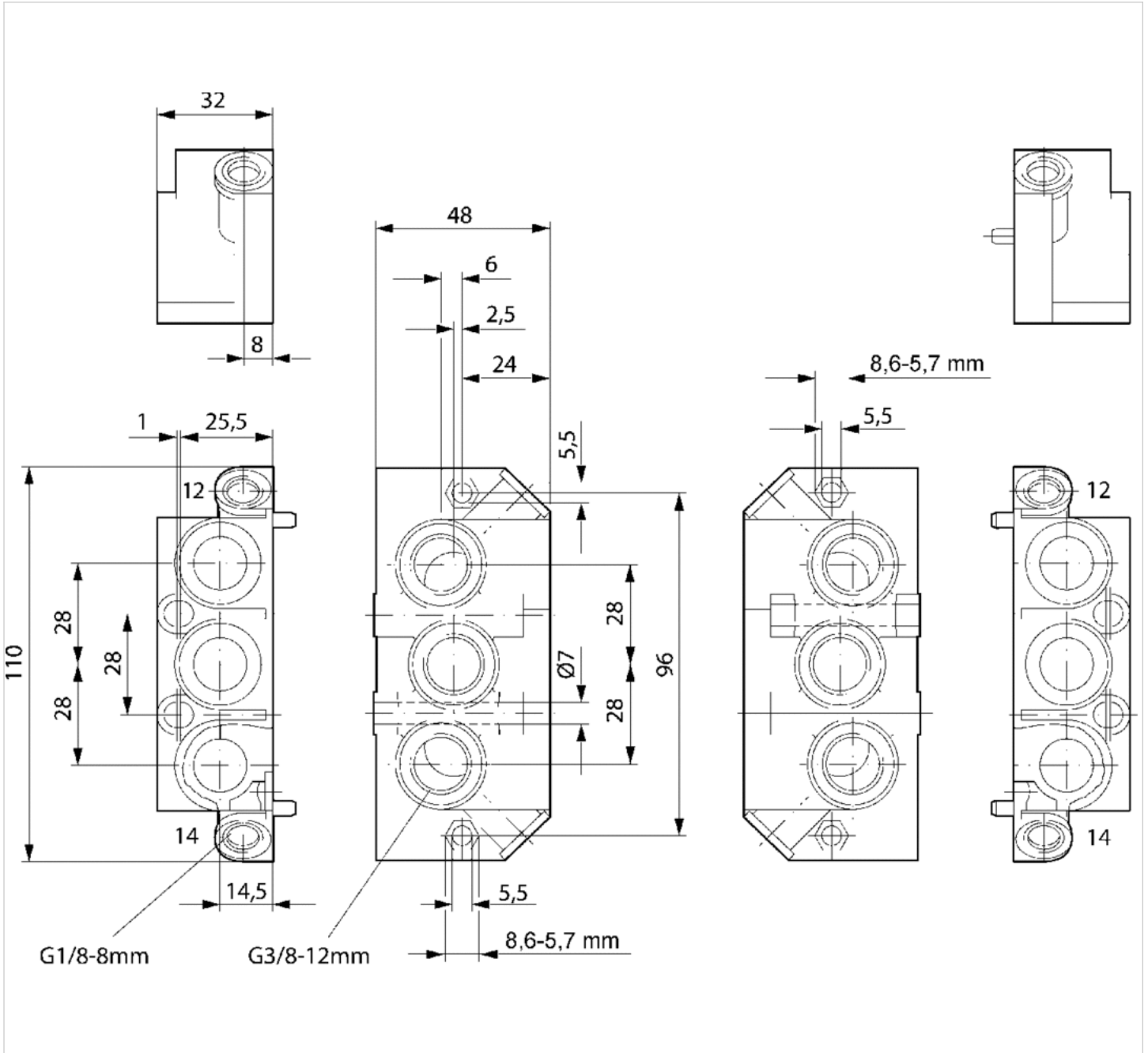
A = left and right end plates in two versions

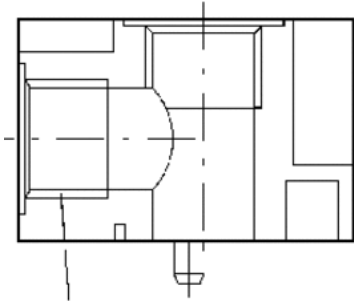
Dimensions

n	X
2	150
3	193
4	236
...	...
n	$n \cdot 43 + 64$

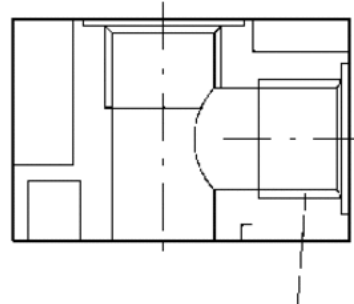
n = number of valve positions

Dimensions





G3/8-12mm



G3/8-12mm

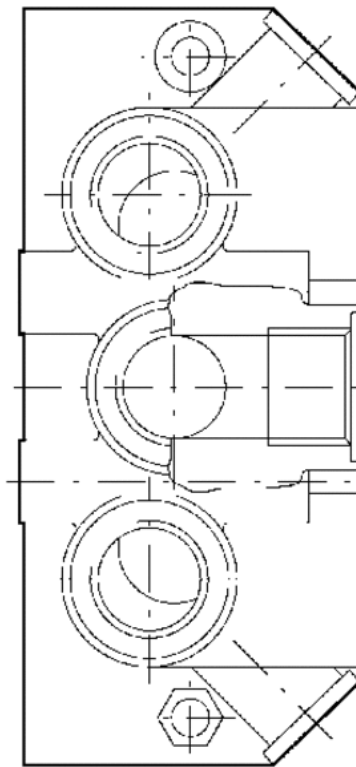
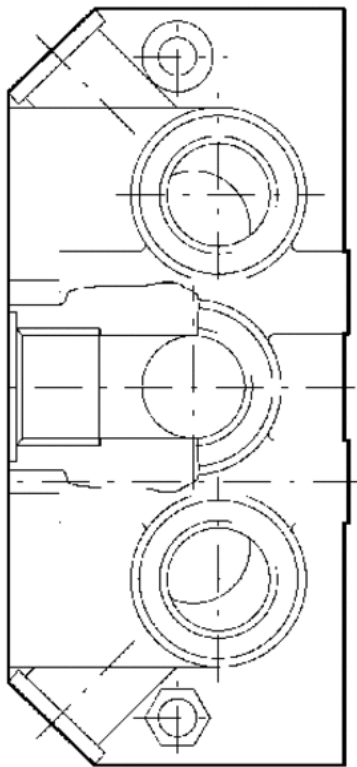


Fig. 1, Thread connections 1, 3, and 5 axial

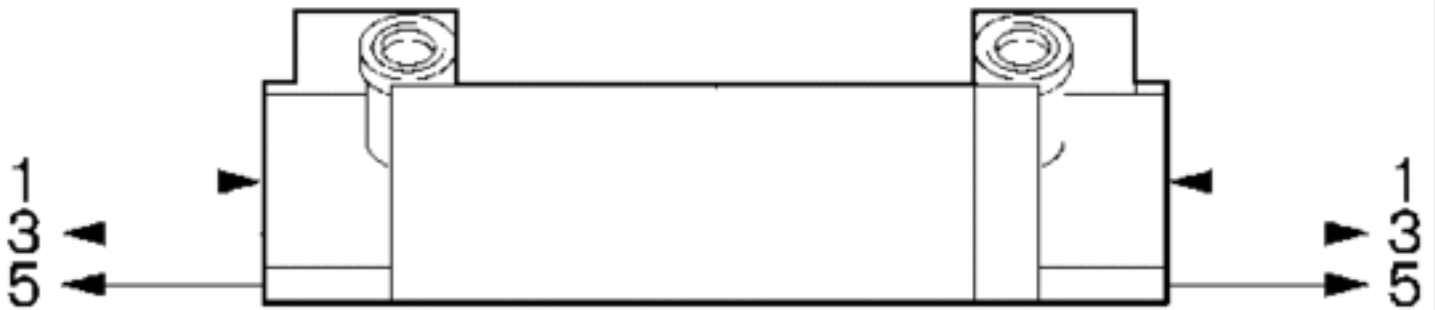
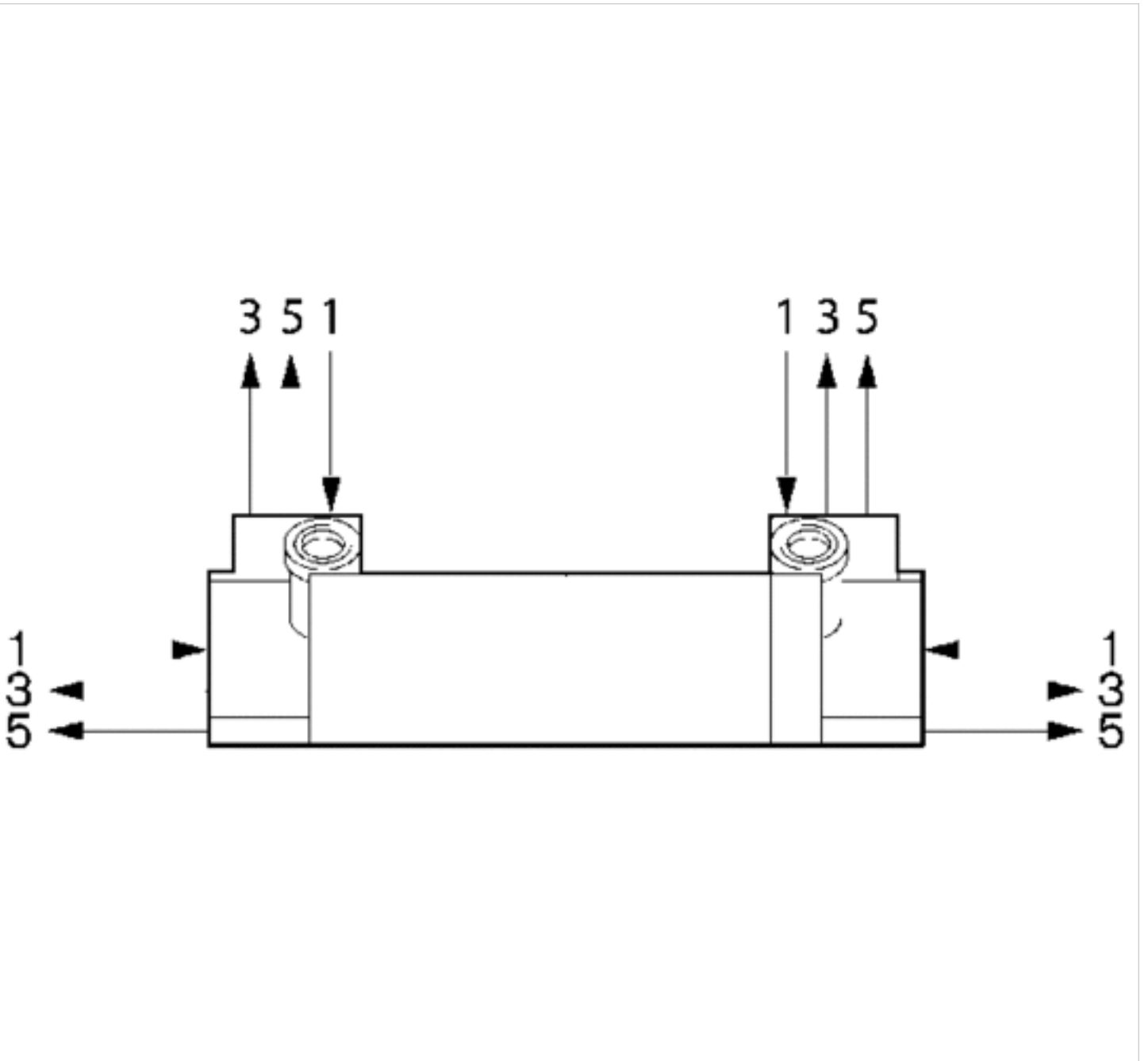


Fig. 2, Thread connections 1, 3, and 5 axial and from the top



Supply plate

- standard ISO 5599-1
- Frame size ISO 1
- type H
- Can be assembled into blocks
- Plate principle



Standards	ISO 5599-1
Working pressure min./max.	1 ... 10 bar
Medium	Compressed air
Grid dimension	30 mm
Direction of pneumatic port (1)	Up
Direction of pneumatic port (3,5)	Up
Exhaust (3,5)	With directional exhaust (3/5)
Mounting screw	with hexagon socket
Weight	0,22 kg

Technical data

Part No.	Compressed air connection	
	Input [1]	Exhaust [3 / 5]
1825503314	G 3/8	G 3/8

Scope of delivery incl. seal and mounting screws

Technical information

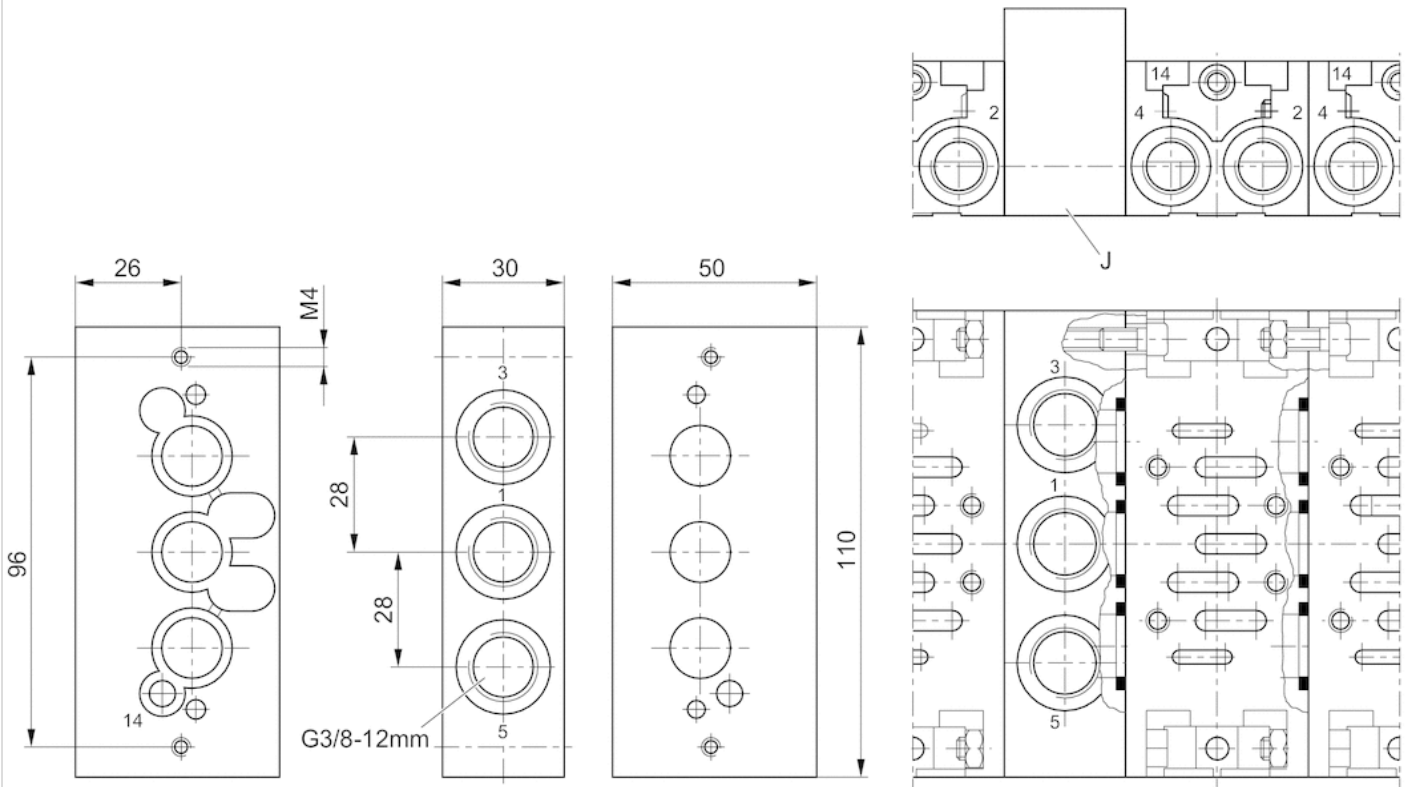
The min. control pressure must be adhered to, since otherwise faulty switching and valve failure may result!
 The pressure dew point must be at least 15 °C under ambient and medium temperature and may not exceed 3 °C .
 The oil content of compressed air must remain constant during the life cycle.
 Use only the approved oils from AVENTICS. Further information can be found in the "Technical information" document (available in the MediaCentre).

Technical information

Material	
Housing	Aluminum
Base plate	Aluminum
Seal	Acrylonitrile butadiene rubber

Dimensions

Dimensions



Seal for supply plate

- standard ISO 5599-1

- type H



Standards

ISO 5599-1

Ambient temperature min./max.

-20 ... 70 °C

Weight

See table below

Technical data

Part No.	Fig.	Type	Accessory type
1821015047	Fig. 1	Molded seal, separate channel 1, connect channels 5 and 3	type H
1821015043	Fig. 2	Molded seal, separate channels 1, 3 and 5	type H

Part No.	Delivery unit	Weight
1821015047	1 piece	0,004 kg
1821015043	1 piece	0,01 kg

Technical information

Material	
Seal	Acrylonitrile butadiene rubber

Dimensions

Fig. 2

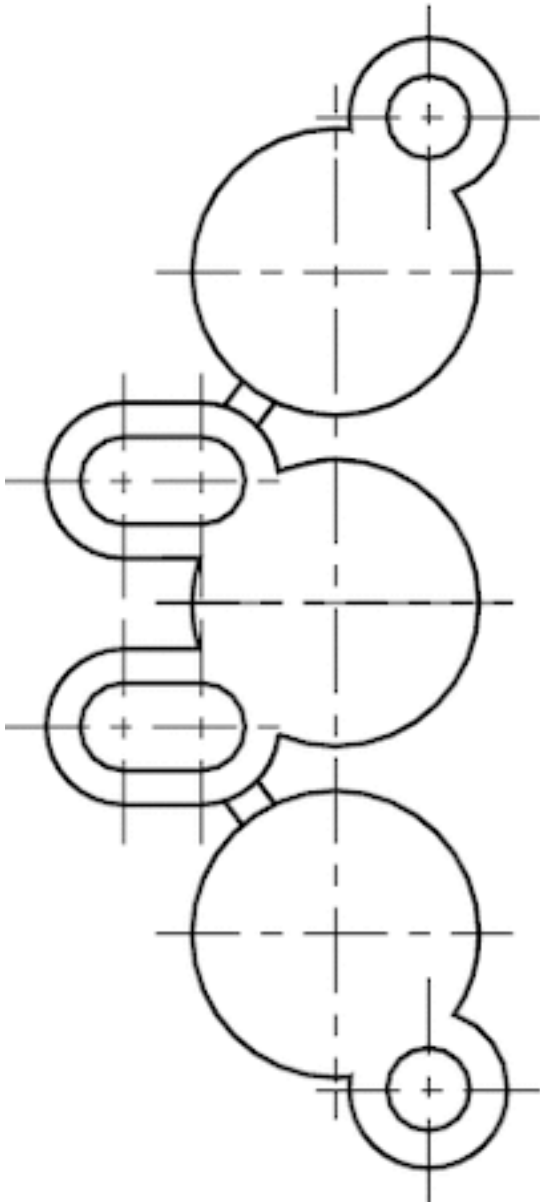
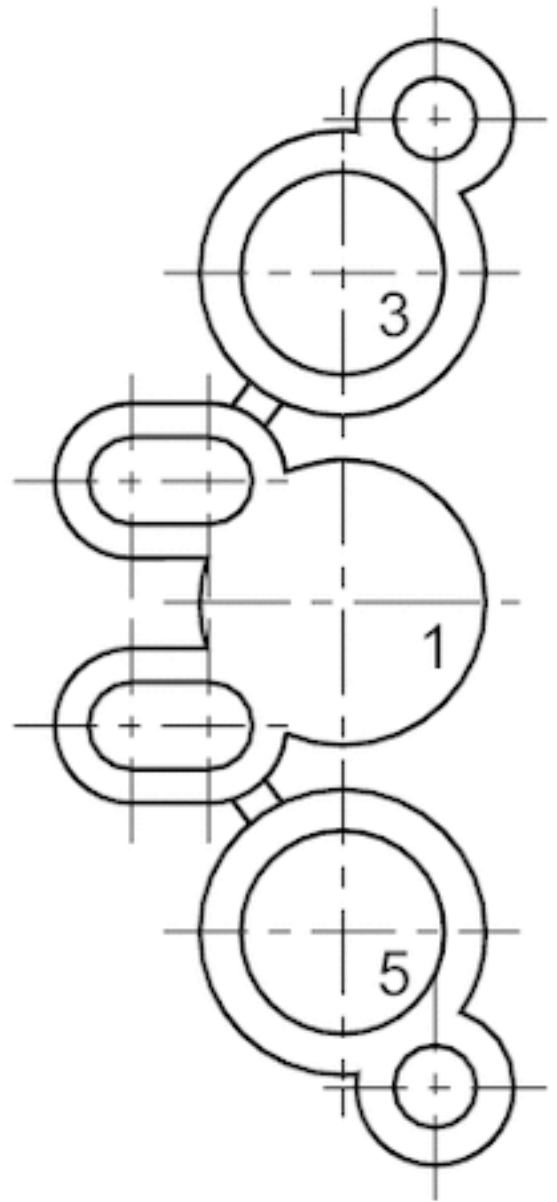
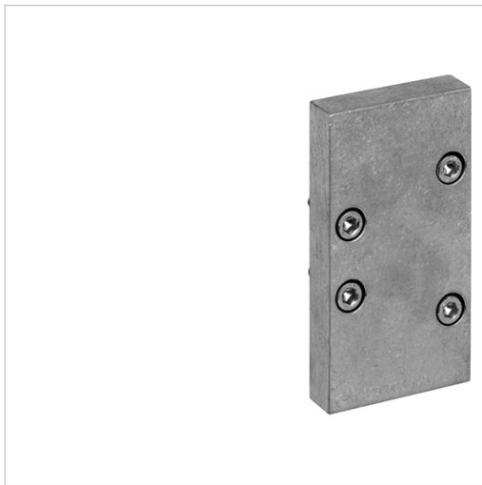


Fig. 1



Blanking plate

- standard ISO 5599-1
- Frame size ISO 1



Standards	ISO 5599-1
Working pressure min./max.	-0,9 ... 16 bar
Ambient temperature min./max.	0 ... 80 °C
Medium temperature min./max.	0 ... 80 °C
Medium	Compressed air
Mounting screw	with hexagon socket
Weight	See table below

Technical data

Part No.	Type	Frame size	Weight
1825503282	Blanking plate	ISO 1	0,072 kg
1821015028	Gasket ISO 1	-	-

Scope of delivery incl. seal and mounting screws

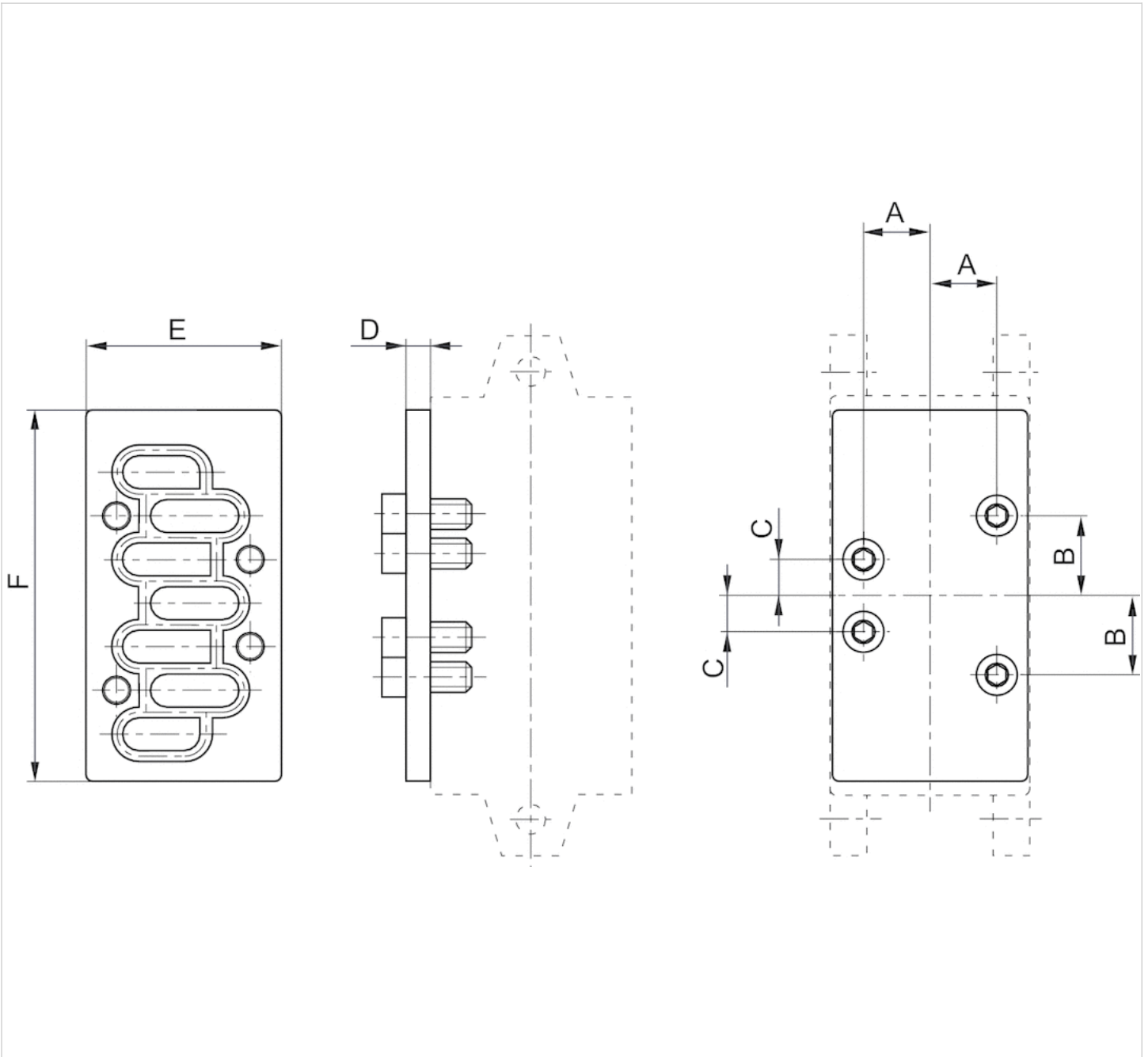
Technical information

The min. control pressure must be adhered to, since otherwise faulty switching and valve failure may result!
 The pressure dew point must be at least 15 °C under ambient and medium temperature and may not exceed 3 °C .
 The oil content of compressed air must remain constant during the life cycle.
 Use only the approved oils from AVENTICS. Further information can be found in the "Technical information" document (available in the MediaCentre).

Technical information

Material	
Base plate	Die-cast aluminum
Seal	Acrylonitrile butadiene rubber

Dimensions



Dimensions

Part No.	Frame size	A	B	C	D	E	F
1825503282	ISO 1	14	18	9	7	42	80

Blanking plate

- standard ISO 5599-1

- Frame size ISO 1



Standards	ISO 5599-1
Working pressure min./max.	-1 ... 16 bar
Ambient temperature min./max.	-20 ... 70 °C
Medium temperature min./max.	-20 ... 70 °C
Medium	Compressed air
Number of valve positions max.	1
Weight	0,055 kg

Technical data

Part No.

5801870000

Scope of delivery incl. seal and mounting screws

Technical information

The min. control pressure must be adhered to, since otherwise faulty switching and valve failure may result!

The pressure dew point must be at least 15 °C under ambient and medium temperature and may not exceed 3 °C .

The oil content of compressed air must remain constant during the life cycle.

Use only the approved oils from AVENTICS. Further information can be found in the "Technical information" document (available in the MediaCentre).

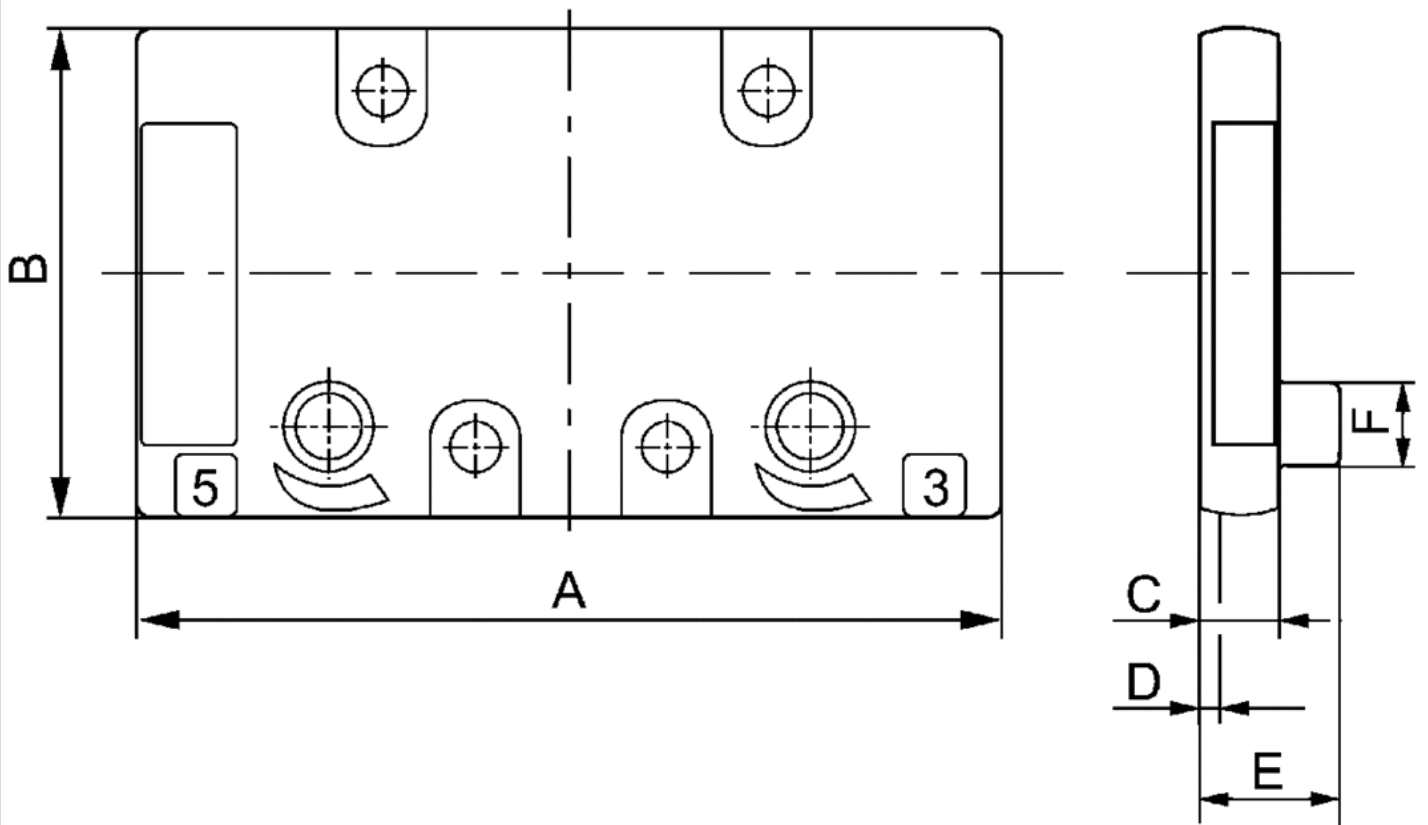
Technical information

Material

Housing	Die-cast aluminum, black painted
Base plate	Die-cast aluminum
Seal	Acrylonitrile butadiene rubber

Dimensions

Dimensions



Dimensions

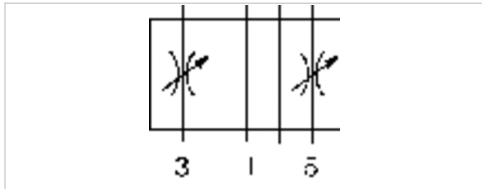
Part No.	A	B	C	D	E	F	Weight
5801870000	69	39	7	2	-	-	0,055 kg

Throttle plate

- standard ISO 5599-1
- Frame size ISO 1



Standards	ISO 5599-1
Working pressure min./max.	0 ... 16 bar
Ambient temperature min./max.	0 ... 80 °C
Medium temperature min./max.	0 ... 80 °C
Medium	Compressed air
Weight	0,255 kg



Technical data

Part No.
0821201023

Scope of delivery incl. seal and mounting screws

Technical information

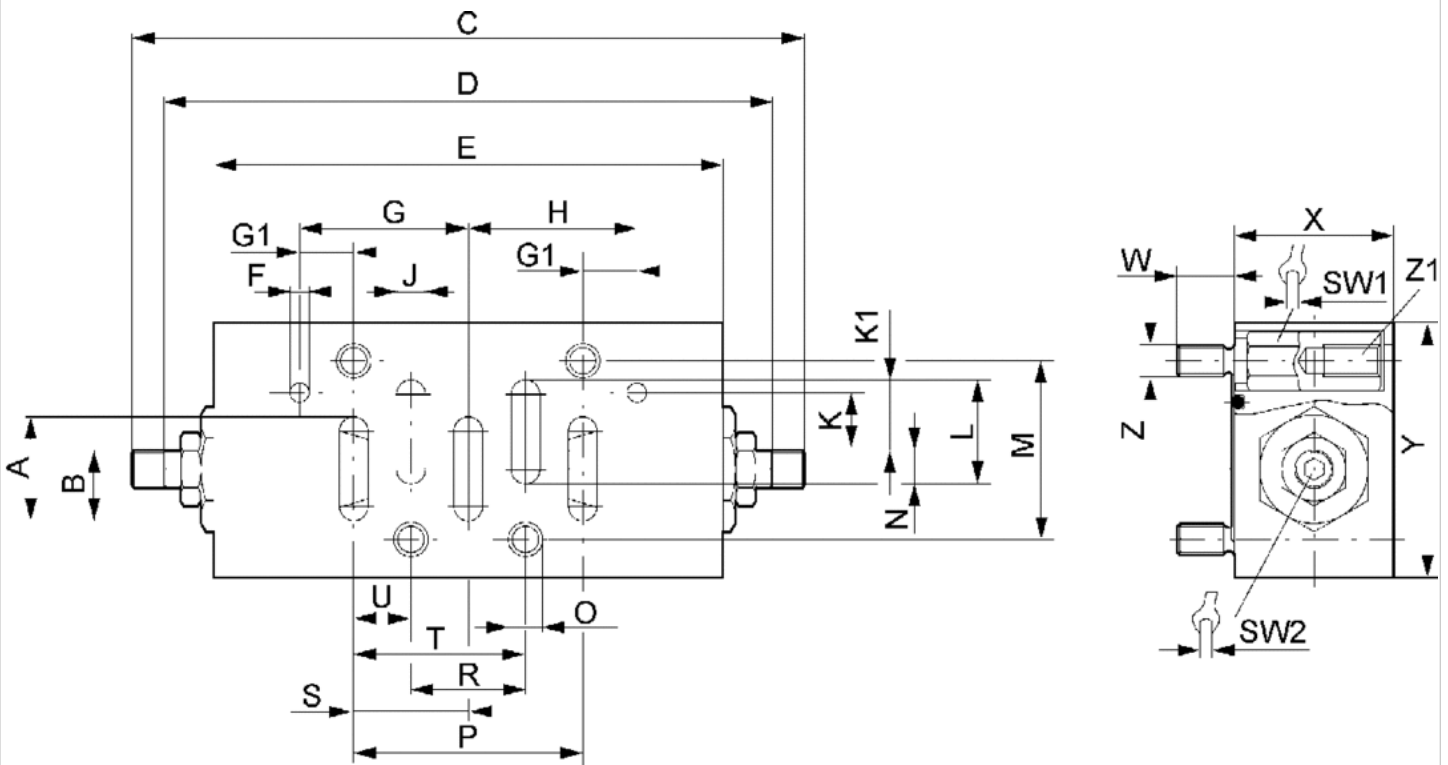
The min. control pressure must be adhered to, since otherwise faulty switching and valve failure may result!
 The pressure dew point must be at least 15 °C under ambient and medium temperature and may not exceed 3 °C .
 The oil content of compressed air must remain constant during the life cycle.
 Use only the approved oils from AVENTICS. Further information can be found in the "Technical information" document (available in the MediaCentre).

Technical information

Material	
Base plate	Aluminum
Seal	Acrylonitrile butadiene rubber

Dimensions

Dimensions



Dimensions

Part No.	A	B	C	D	E	F	G	G1	H	J	K	K1	L	M	N	O	P	R	S	SW1	SW2	T
0821201023	16.3	11,1	105.6	95.6	80	3	26,5	8.5	26.5	4.5	9	10.8	16.3	28	5.5	5.2	36	18	18	8	3	27

U	W	X	Y	Z	Weight	Z1
9	9	25	40	M5	0,255 kg	M5-9

Pressure regulator for vertical stacking









- standard ISO 5599-1
- Frame size ISO 1
- Controlled port 1 2 4 2, 4



Working pressure min./max.	16 bar
Adjustment range min./max.	0,5 ... 12 bar
Ambient temperature min./max.	5 ... 50 °C
Medium	Compressed air
Max. particle size	5 µm
Oil content of compressed air	0 ... 5 mg/m ³
Weight	See table below

The delivered product may vary from that in the illustration.

Technical data

Part No.		Frame size	Controlled port	Weight	Fig.	
0821302048		ISO 1	1	1,15 kg	Fig. 1	1)
0821302060		ISO 1	1	1,19 kg	Fig. 1	2)
0821302054		ISO 1	2	1,15 kg	Fig. 1	1)
0821302062		ISO 1	2	1,19 kg	Fig. 1	2)
0821302057		ISO 1	4	1,15 kg	Fig. 1	1)
0821302063		ISO 1	4	1,19 kg	Fig. 1	2)
0821302051		ISO 1	2, 4	1,57 kg	Fig. 2	1)
0821302061		ISO 1	2, 4	1,61 kg	Fig. 2	2)

Scope of delivery incl. seal and mounting screws, pressure regulator without gauge adapter, cannot be combined with IS12 ISO valves

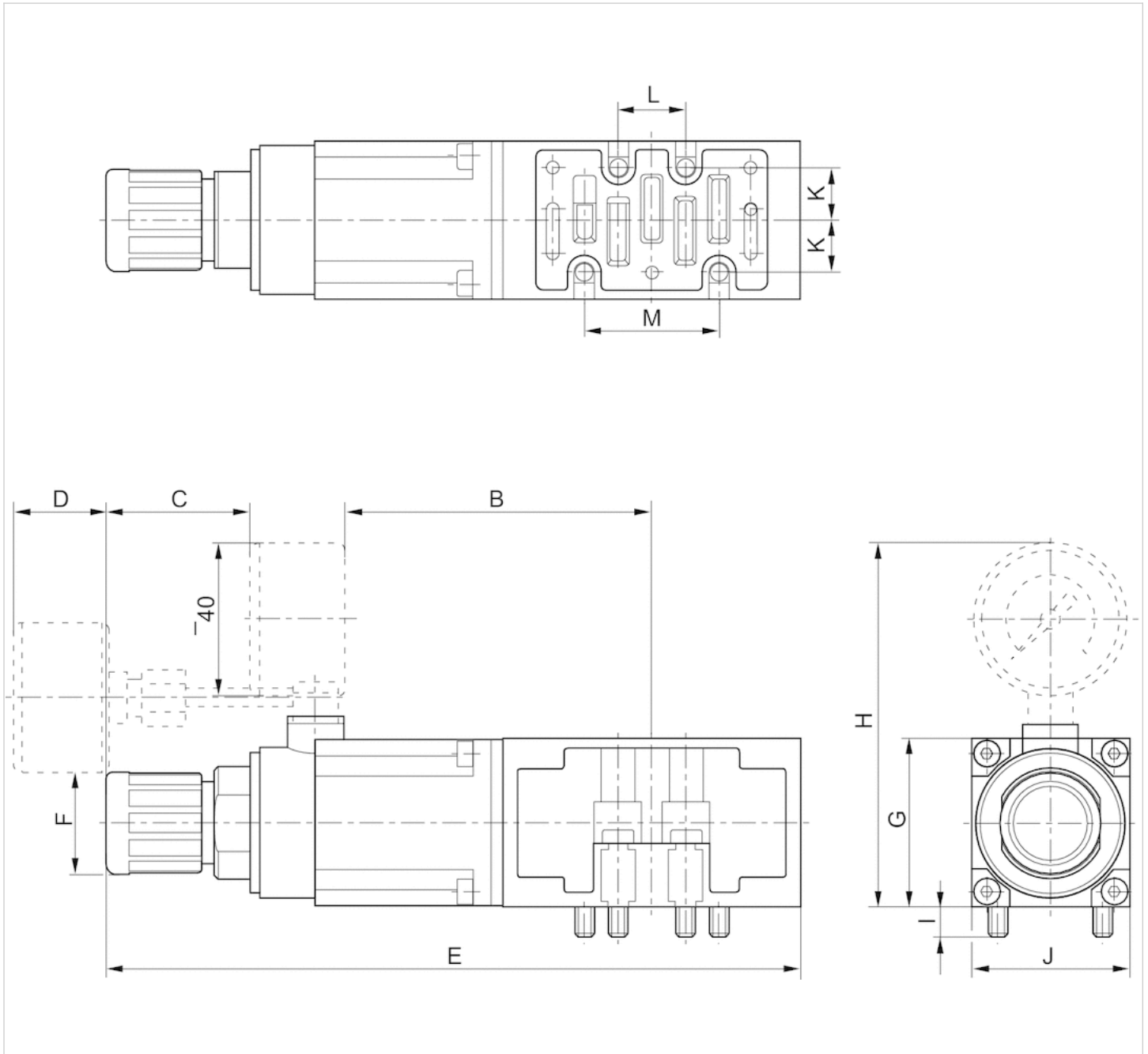
- 1) with pressure gauge
- 2) with pressure gauge and adapter

Technical information

Material	
Housing	Zinc
Seals	Butadiene rubber

Dimensions

Fig. 1

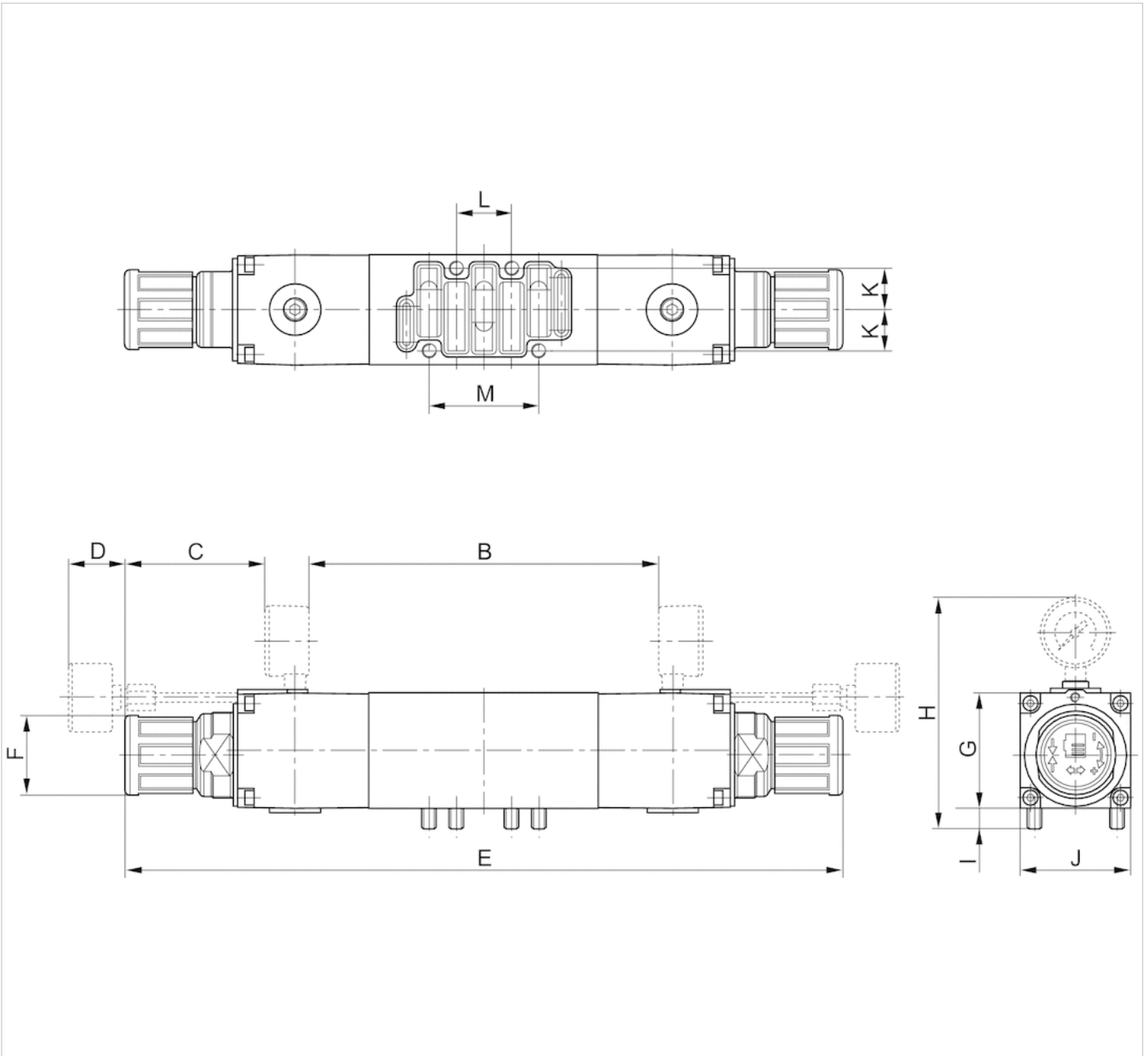


Dimensions

Part No.	B±5	C±5	D±5	E±7	Ø F	G±5	H±5	I±2.5	J±5	K±2.5	L±2.5	M±5
0821302048	82	38,6	—	186	27	45	97,5	8	42.5	14	18	36
0821302060	—	—	25	186	27	45	97,5	8	42.5	14	18	36
0821302054	82	38,5	—	199	27	45	97,5	8	42.5	14	18	36
0821302062	—	—	25	199	27	45	97,5	8	42.5	14	18	36

Dimensions

Fig. 2

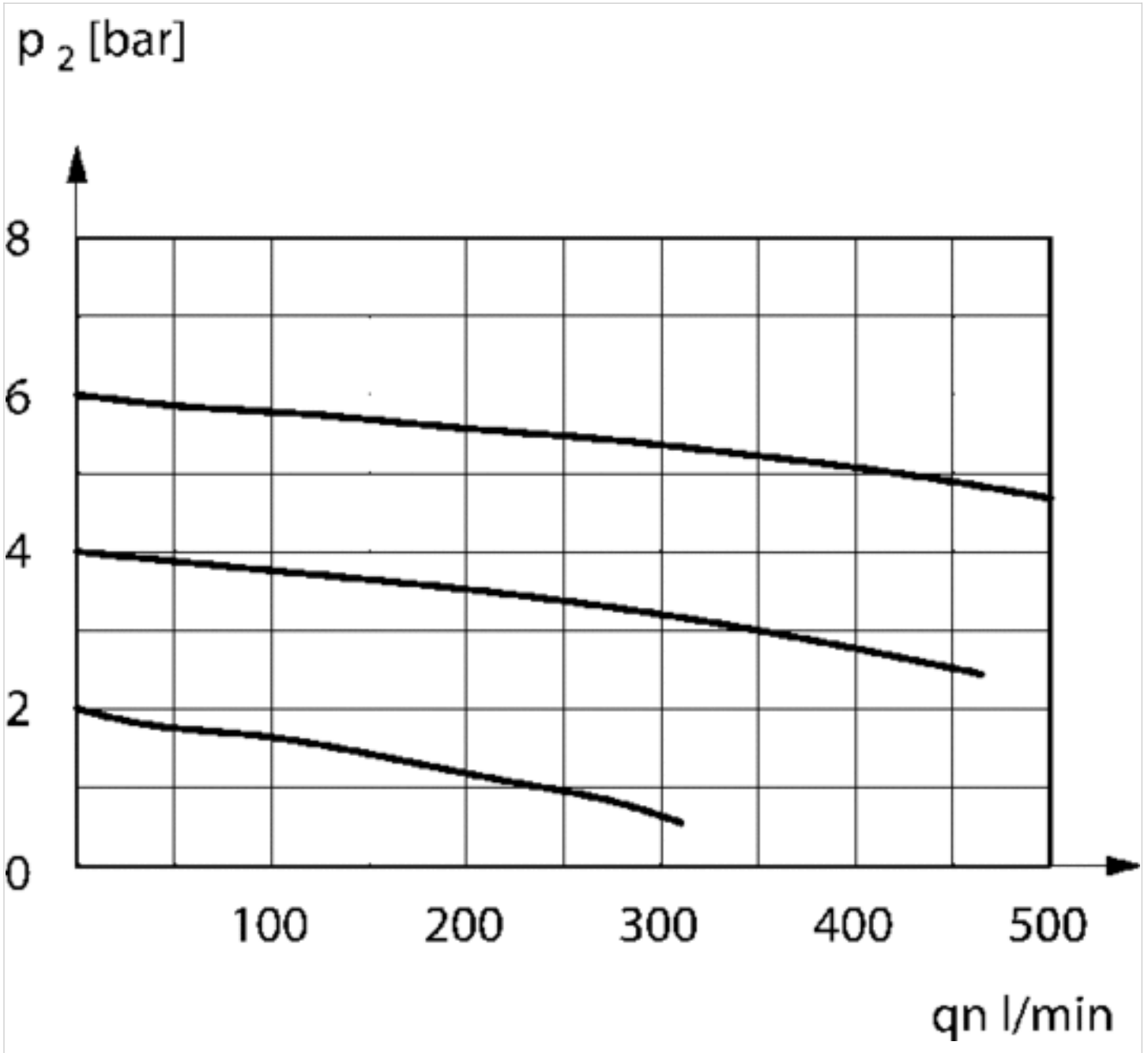


Dimensions

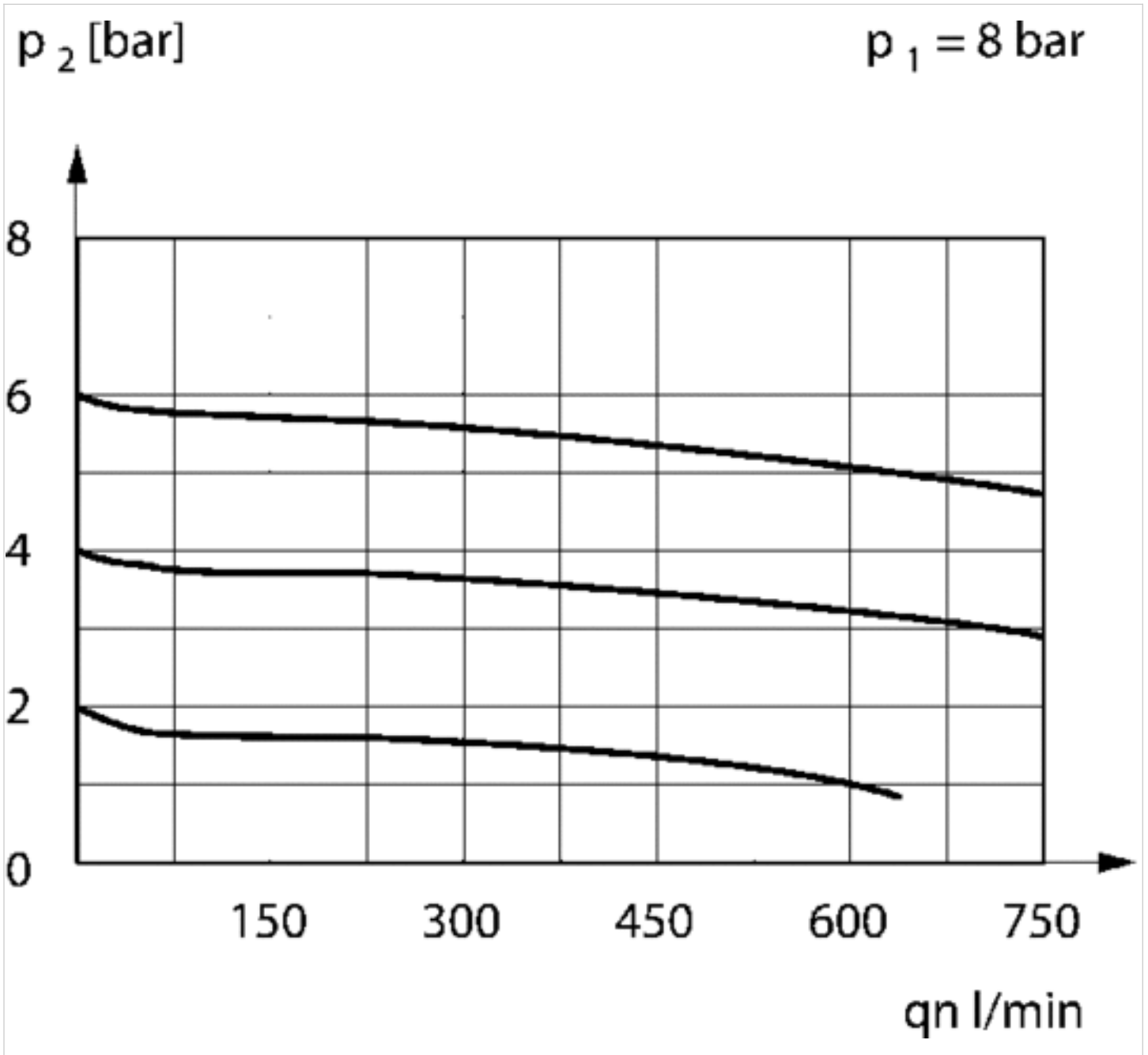
Part No.	B±5	C±5	D±5	E±7	Ø F	G±5	H±5	I±2.5	J±5	K±2.5	L±2.5	M±5
0821302051	164	38,6	—	292	27	45	96,5	8	42.5	14	18	36
0821302061	—	—	25	292	27	45	—	8	42.5	14	18	36

Diagrams

Flow rate characteristic



controlled connection 1
Controlled connection 2
Controlled connection 4



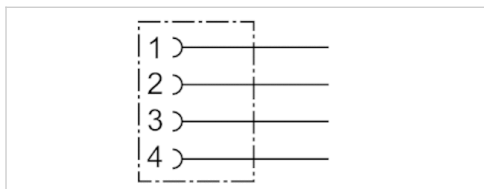
Controlled connection 2/4

Round plug connector, Series CON-RD

- Socket, M12x1, 4-pin, A-coded, straight, 180°
- UL (Underwriters Laboratories)
- unshielded



Connection type	Screws
Ambient temperature min./max.	-40 ... 85 °C
Operational voltage	48 V AC/DC
Protection class	IP67
Weight	0,015 kg



Technical data

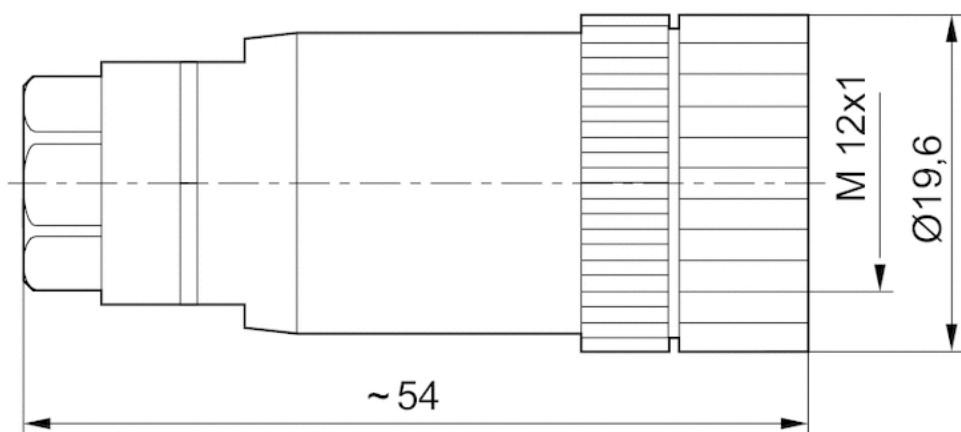
Part No.	Max. current	suitable cable-Ø min./max
1834484177	4 A	4 / 6 mm

Technical information

Material	
Housing	Polyamide

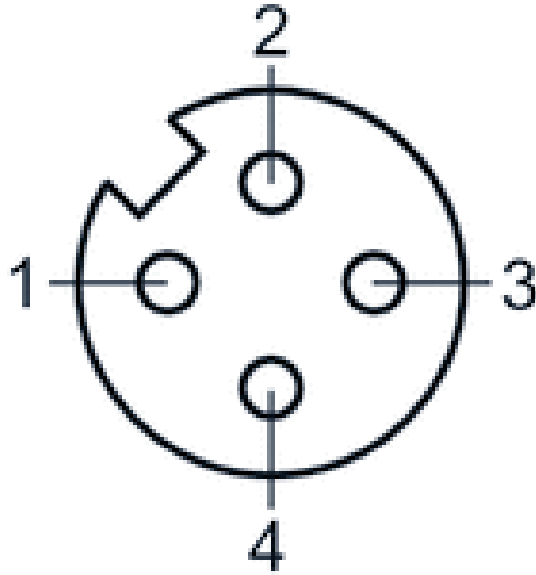
Dimensions

Dimensions



Pin assignments

Pin assignment, socket



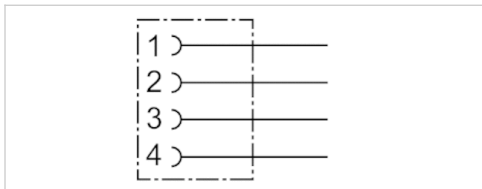
Round plug connector, Series CON-RD

- Socket, M12x1, 4-pin, A-coded, straight, 180°
- UL (Underwriters Laboratories)
- unshielded



Connection type	Screws
Ambient temperature min./max.	-25 ... 90 °C
Operational voltage	48 V AC/DC
Protection class	IP67
Weight	0,029 kg

The delivered product may vary from that in the illustration.



Technical data

Part No.	Max. current	suitable cable-Ø min./max
8941054324	4 A	4 mm

Technical information

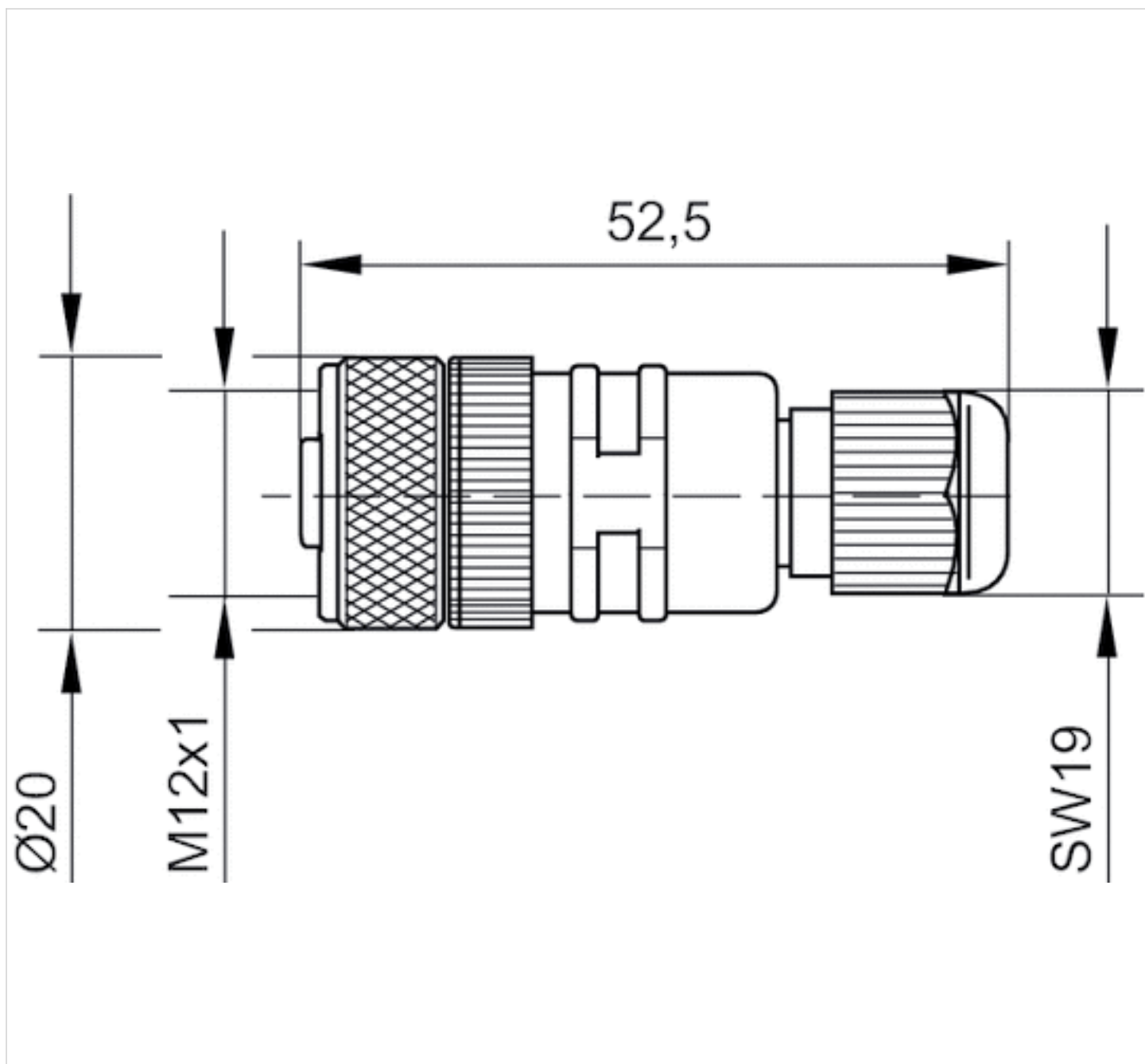
The specified protection class is only valid in assembled and tested state.

Technical information

Material	
Housing	Polybutyleneterephthalate
Seals	Fluorocarbon caoutchouc

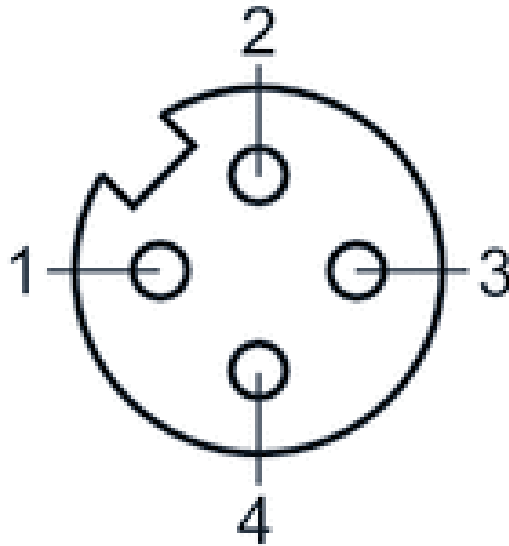
Dimensions

Dimensions



Pin assignments

Pin assignment, socket

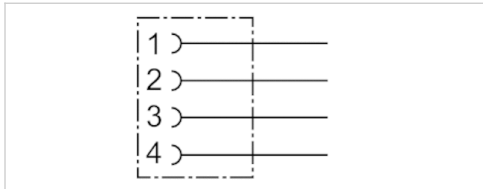


Round plug connector, Series CON-RD

- Socket, M12x1, 4-pin, A-coded, angled, 90°
- unshielded



Connection type	Screws
Ambient temperature min./max.	-40 ... 85 °C
Operational voltage	48 V AC/DC
Protection class	IP67
Weight	0,016 kg



Technical data

Part No.	Max. current	suitable cable-Ø min./max
1834484178	4 A	4 mm

Technical information

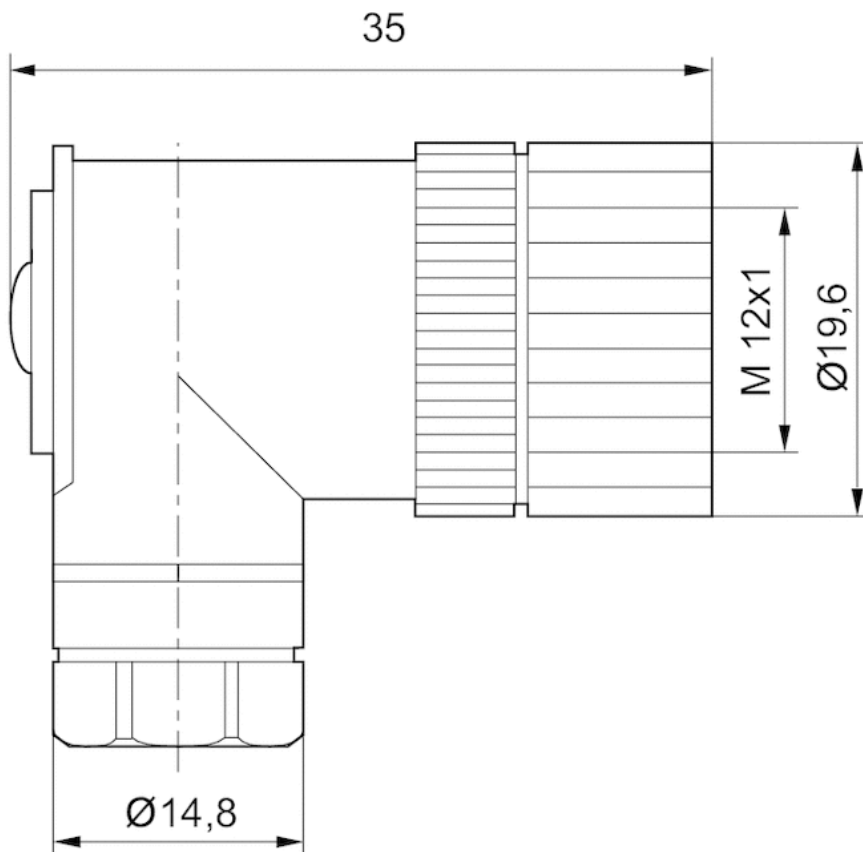
The specified protection class is only valid in assembled and tested state.

Technical information

Material	
Housing	Polyamide

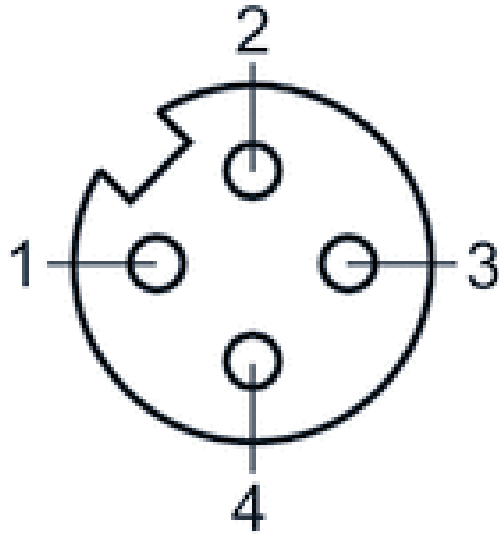
Dimensions

Dimensions



Pin assignments

Pin assignment, socket



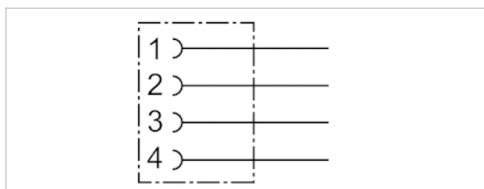
Round plug connector, Series CON-RD

- Socket, M12x1, 4-pin, A-coded, angled, 90°

- unshielded



Connection type	Screws
Ambient temperature min./max.	-25 ... 90 °C
Operational voltage	48 V AC/DC
Protection class	IP67
Weight	0,027 kg



Technical data

Part No.	Max. current	suitable cable-Ø min./max
8941054424	4 A	4 mm

Technical information

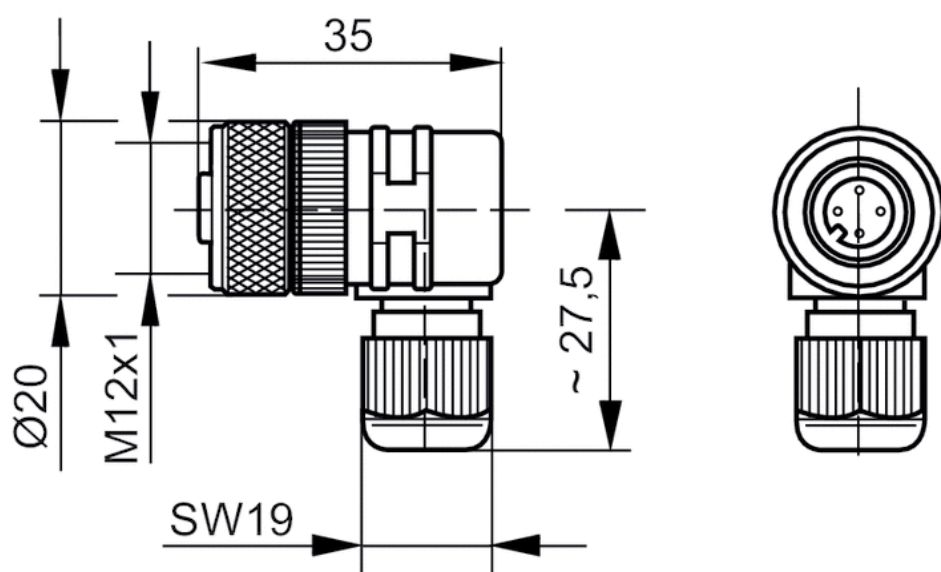
The specified protection class is only valid in assembled and tested state.

Technical information

Material	
Housing	Polybutyleneterephthalate
Seals	Fluorocarbon caoutchouc

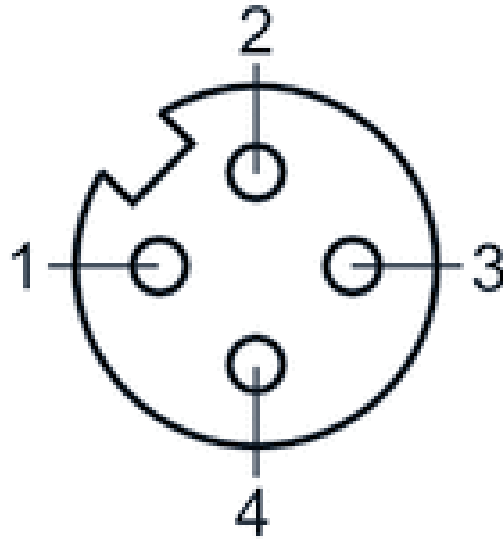
Dimensions

Dimensions



Pin assignments

Pin assignment, socket

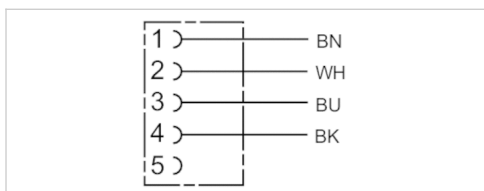


Round plug connector, Series CON-RD

- Socket M12x1 5-pin A-coded straight 180°
- open cable ends
- with cable
- unshielded



Ambient temperature min./max.	-25 ... 70 °C
Operational voltage	48 V AC/DC
Protection class	IP67
Wire cross-section	0,34 mm ²
Weight	See table below



Technical data

Part No.	Max. current	Number of wires	Cable-Ø	Cable length	Weight
1834484256	4 A	4	5,2 mm	3 m	0,122 kg
1834484257	4 A	4	5,2 mm	5 m	0,194 kg
1834484258	4 A	4	5,2 mm	10 m	0,373 kg

Technical information

The specified protection class is only valid in assembled and tested state.

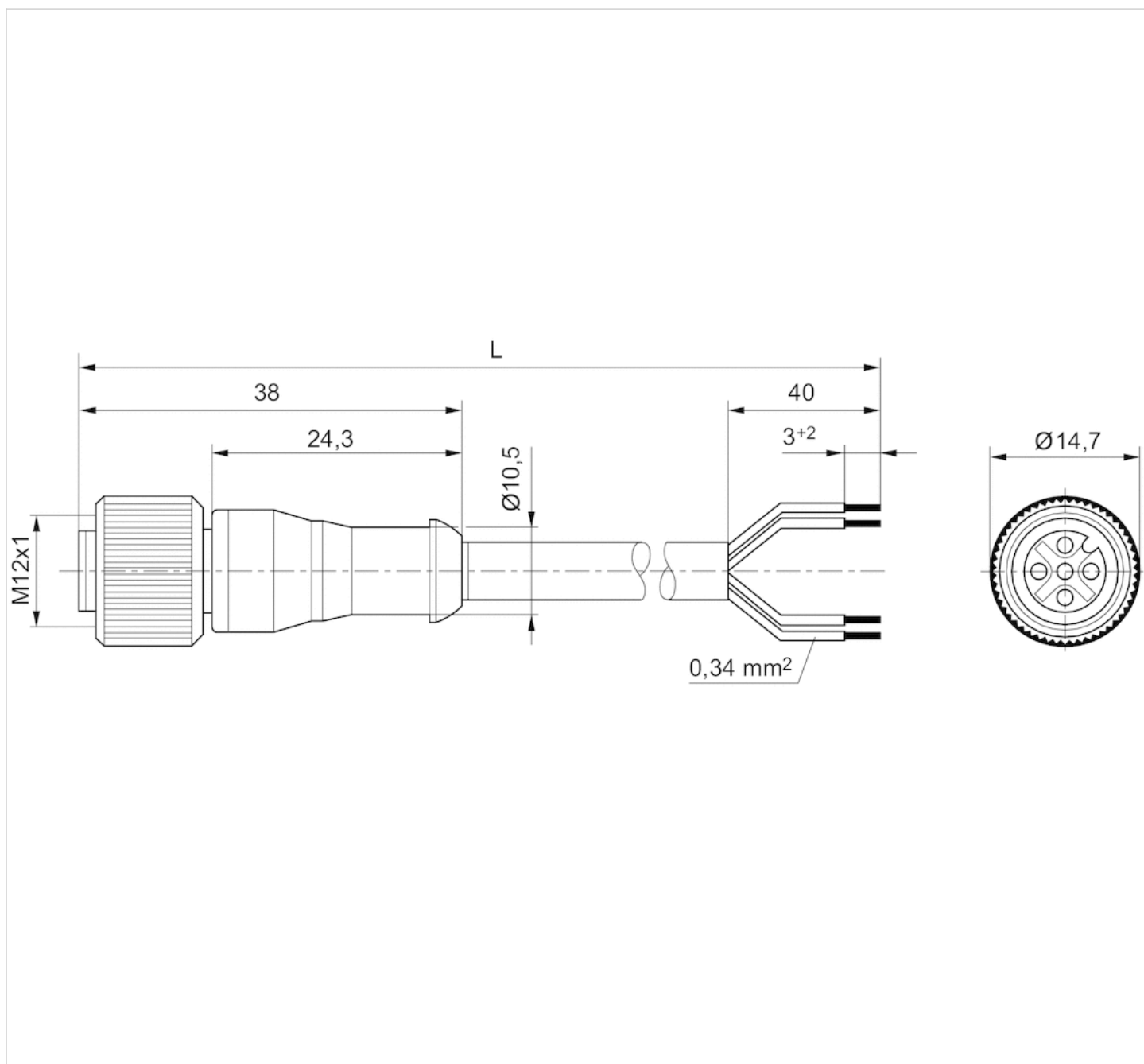
Technical information

Material

Cable sheath	Polyurethane
--------------	--------------

Dimensions

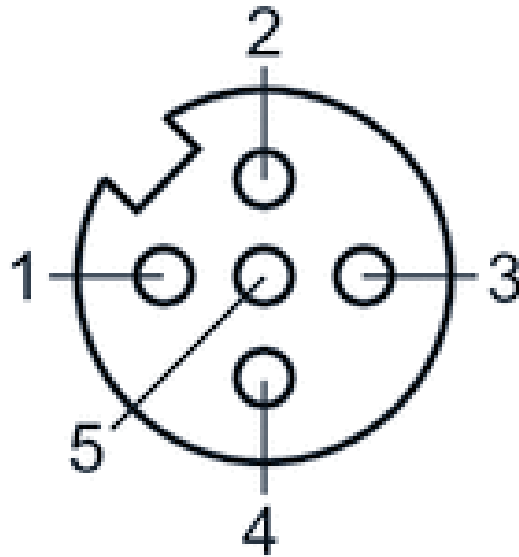
Dimensions



L = length

Pin assignments

Pin assignment, socket



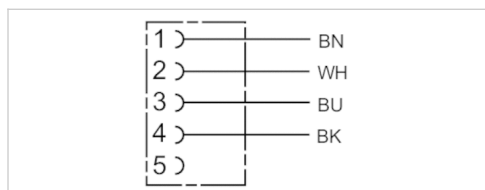
- (1) BN=brown
- (2) WH=white
- (3) BU=blue
- (4) BK=black
- (5) not assigned

Round plug connector, Series CON-RD

- Socket M12x1 5-pin A-coded angled 90°
- open cable ends
- for DeviceNet
- with cable
- unshielded



Ambient temperature min./max.	-40 ... 85 °C
Operational voltage	48 V AC/DC
Protection class	IP65
Wire cross-section	0,34 mm ²
Weight	See table below



Technical data

Part No.	Max. current	Number of wires	Cable-Ø	Cable length	Weight
1834484259	4 A	4	5,2 mm	3 m	0,126 kg
1834484260	4 A	4	5,2 mm	5 m	0,195 kg
1834484261	4 A	4	5,2 mm	10 m	0,38 kg

Technical information

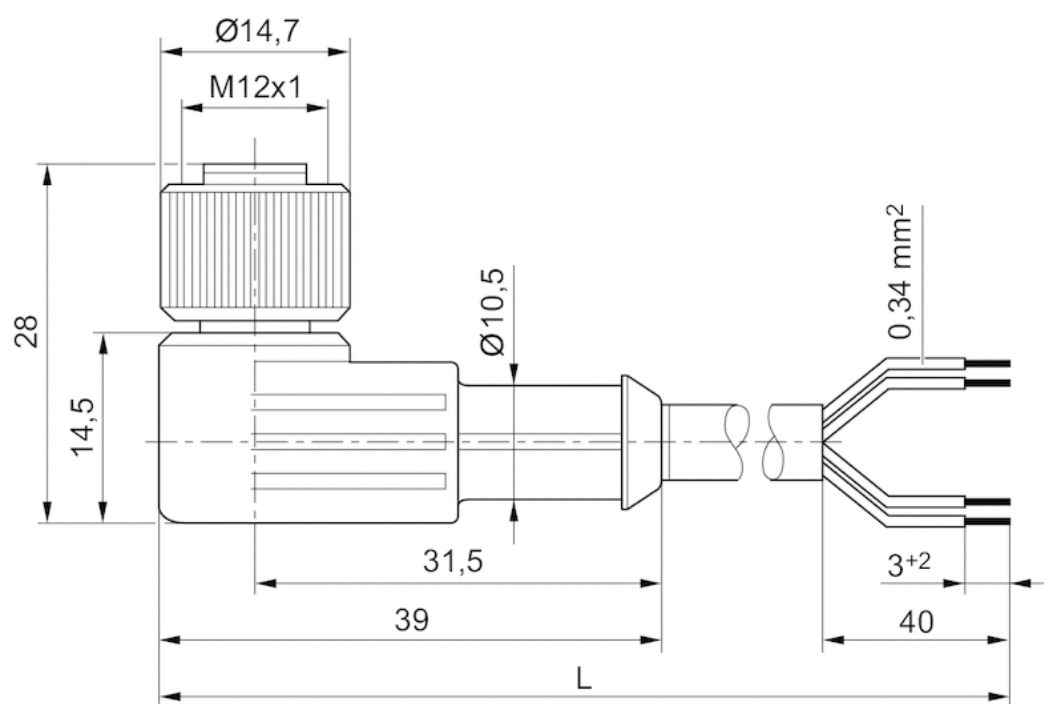
The specified protection class is only valid in assembled and tested state.

Technical information

Material	
Cable sheath	Polyurethane

Dimensions

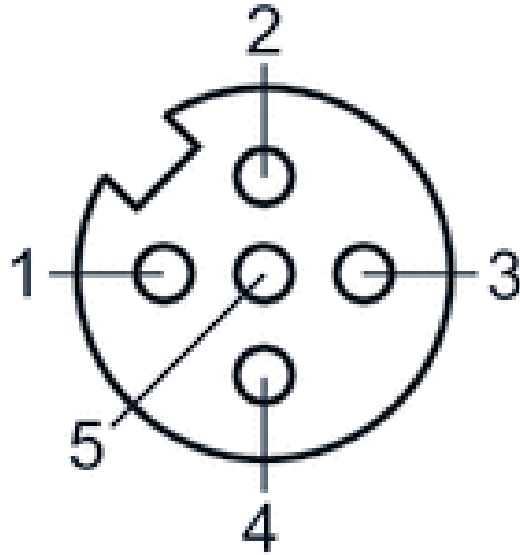
Dimensions



L = length

Pin assignments

Pin assignment, socket



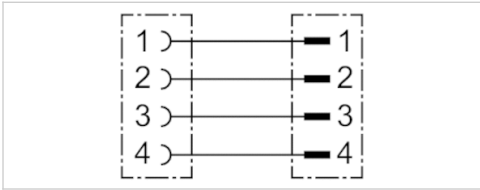
- (1) BN=brown
- (2) WH=white
- (3) BU=blue
- (4) BK=black
- (5) not assigned

Round plug connector, Series CON-RD

- Socket M12x1 4-pin A-coded straight 180°
- Plug M12x1 4-pin A-coded straight 180°
- EN 61076-2-101
- with cable
- unshielded



Ambient temperature min./max.	-40 ... 105 °C
Protection class	IP65 IP67 IP68 IP69
Wire cross-section	0,34 mm ²
Weight	See table below



Technical data

Part No.	Max. current	Number of wires	Bending radius min.	Cable-Ø	Cable length	Delivery unit	Weight
R402003760	4 A	4	45 mm	4,5 mm	5 m	1 piece	0,258 kg
R402003761	4 A	4	45 mm	4,5 mm	10 m	1 piece	0,484 kg
R402003762	4 A	4	45 mm	4,5 mm	15 m	1 piece	0,721 kg

Technical information

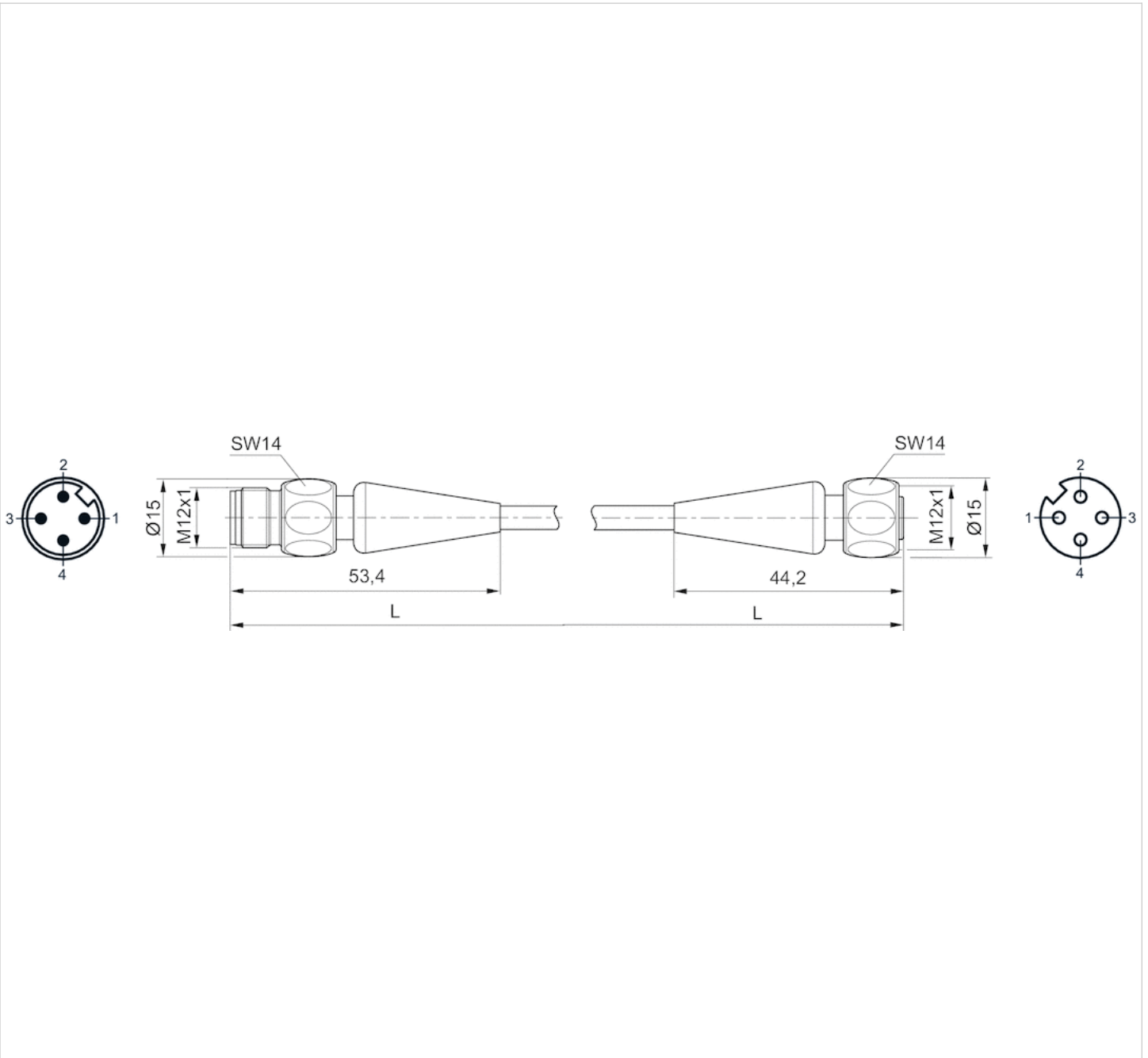
The specified protection class is only valid in assembled and tested state.

Technical information

Material	
Housing	Polypropylene
Seals	Ethylene propylene diene monomer rubber
Cable sheath	Polyvinyl chloride

Dimensions

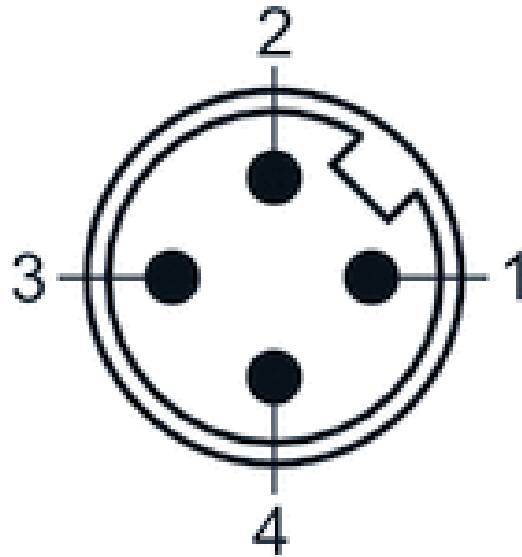
Dimensions



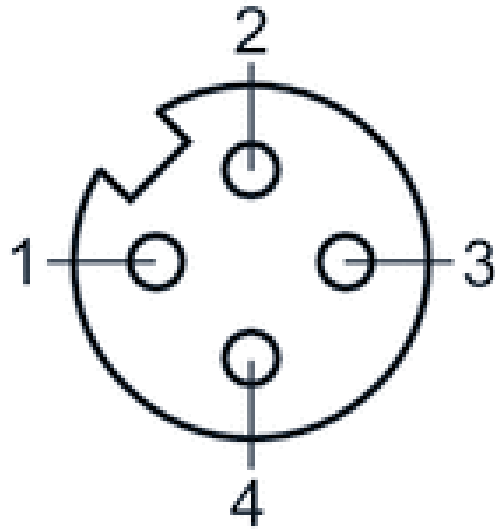
L = cable length

Pin assignments

Plug pin assignment



Pin assignment, socket

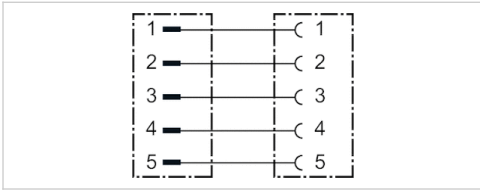


Round plug connector, Series CON-RD

- Socket M12x1 5-pin A-coded straight 180°
- Plug M12x1 5-pin A-coded angled 90°
- with cable
- suitable for dynamic laying
- unshielded



Ambient temperature min./max.	-25 ... 85 °C
Operational voltage	48 V AC/DC
Protection class	IP68
Wire cross-section	0,34 mm ²
Mounting screw tightening torque	0,8 Nm
Weight	See table below



Technical data

Part No.	Max. current	Number of wires	Bending radius min.	Cable-Ø	Cable length	Weight
R412021694	4 A	5	50 mm	5 mm	2 m	0,114 kg
R412021695	4 A	5	50 mm	5 mm	5 m	0,217 kg

suitable for dynamic laying

Technical information

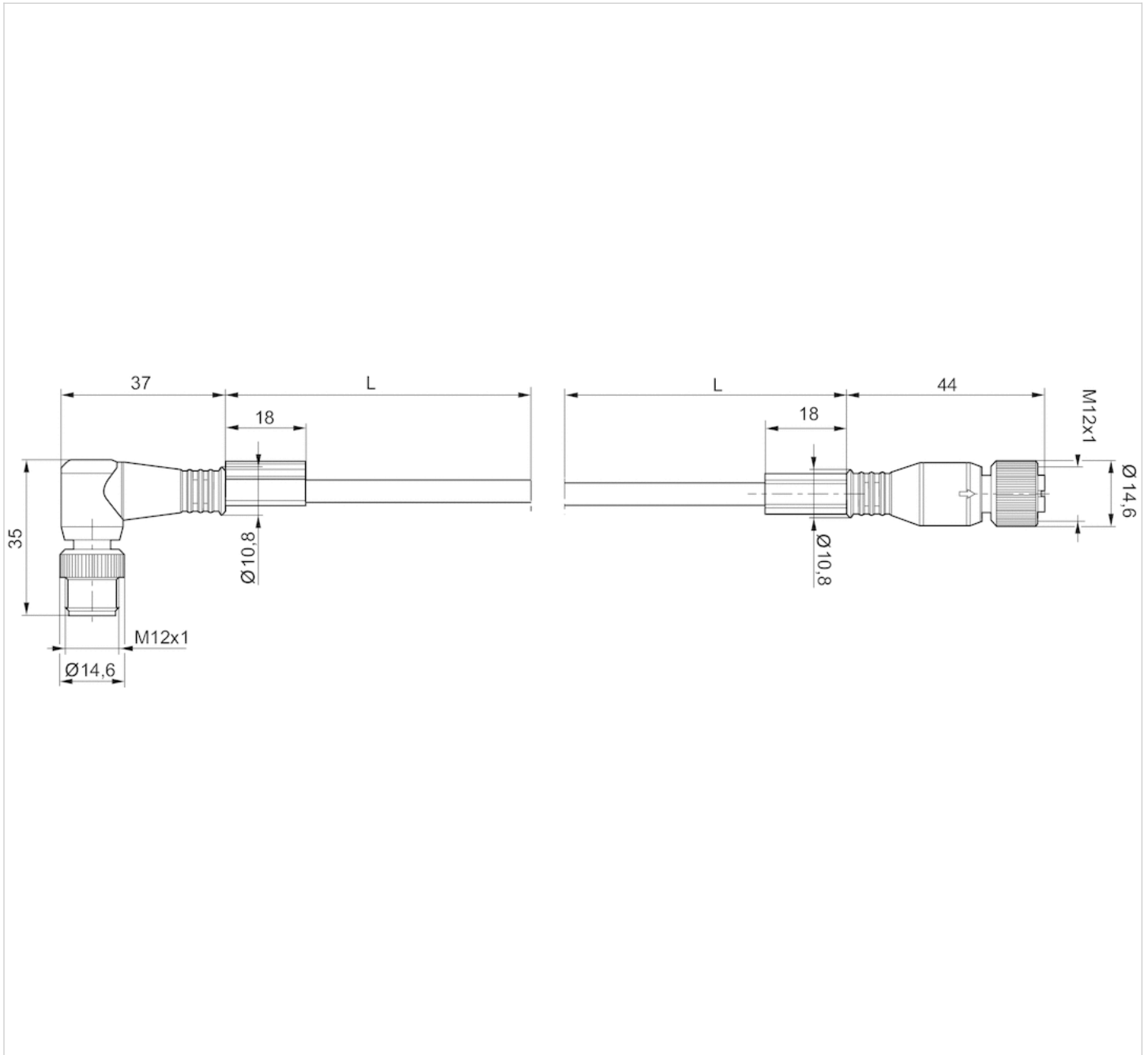
The specified protection class is only valid in assembled and tested state.

Technical information

Material	
Housing	Polyurethane
Cable sheath	Polyurethane

Dimensions

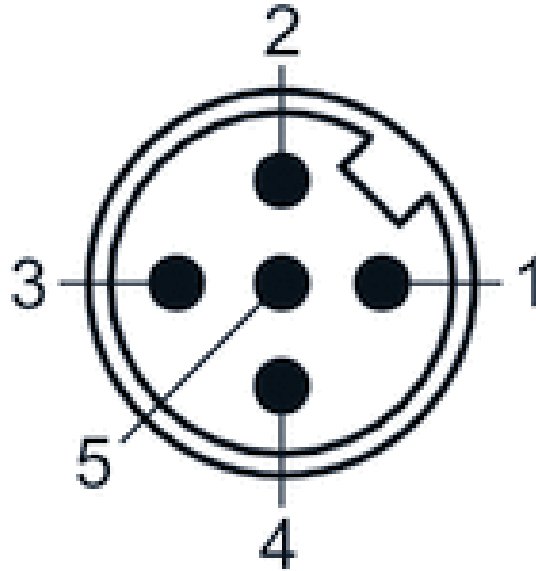
Dimensions



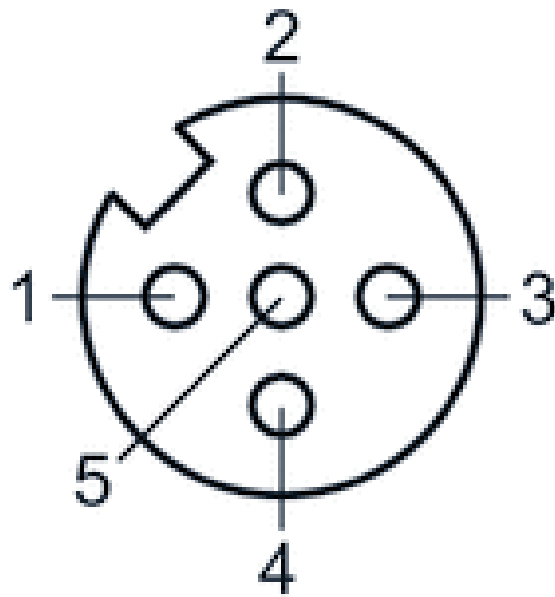
L = length

Pin assignments

Plug pin assignment



Pin assignment, socket



Valve plug connector, series CON-VP

- Socket, 2+E, angled, 90° Socket, 3+E, angled, 90°

- EN 175301-803

- unshielded

- with LED Yellow Red Green green/red



Connection type	Screws
Ambient temperature min./max.	-40 ... 90 °C
Operational voltage	See table below
Protection class	IP65
Mounting screw tightening torque	0,4 Nm
Weight	See table below

Technical data

Part No.	Electrical connection	Operational voltage	Max. current
1834484048	Socket 2+E angled 90°	-	10 A
1834484059	Socket 3+E angled 90°	-	10 A
1834484101	Socket 2+E angled 90°	24 V AC/DC	-
1834484102	Socket 2+E angled 90°	110 V AC	-
1834484103	Socket 2+E angled 90°	230 V AC	-
8941016112	Socket 2+E angled 90°	230 V AC	-
8941012462	Socket 3+E angled 90°	24 V DC	8 A

Part No.	Protective circuit	Contact assignment	LED status display	suitable cable-Ø min./max
1834484048	-	2+E	-	6 / 8 mm
1834484059	-	3+E	-	6 / 8 mm
1834484101	Z-diode	2+E	Yellow	6 / 8 mm
1834484102	Varistor	2+E	Red	6 / 8 mm
1834484103	Varistor	2+E	Red	6 / 8 mm
8941016112	Varistor	2+E	Green	6 / 10 mm
8941012462	-	3+E	green/red	4,5 / 11 mm

Part No.	Seal	Weight	
1834484048	caoutchouc/butadiene caoutchouc	0,03 kg	1)
1834484059	caoutchouc/butadiene caoutchouc	0,03 kg	1)
1834484101	Silicone caoutchouc	0,03 kg	2)
1834484102	caoutchouc/butadiene caoutchouc	0,03 kg	1)
1834484103	Silicone caoutchouc	0,025 kg	1)
8941016112	caoutchouc/butadiene caoutchouc	0,03 kg	1)
8941012462	caoutchouc/butadiene caoutchouc	0,03 kg	2)

- 1) Profile seal
- 2) Flat gasket

Technical information

The specified protection class is only valid in assembled and tested state.

Technical information

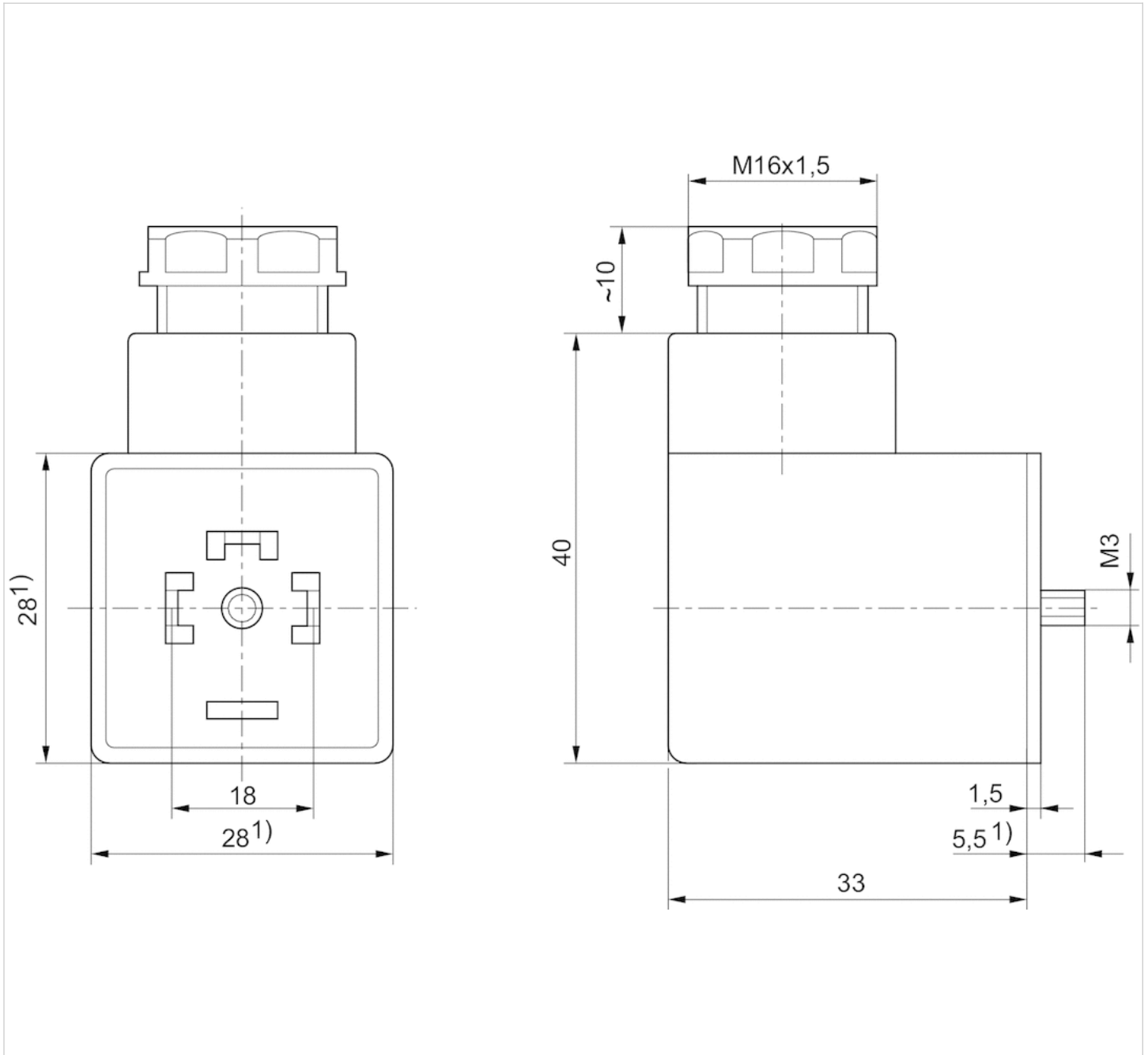
Material

Seals

caoutchouc/butadiene caoutchouc Silicone caoutchouc

Dimensions

Dimensions



1) Max.

Valve plug connector, series CON-VP

- Socket form A 2+E angled 90°
- open cable ends 3-pin
- with cable
- unshielded



Ambient temperature min./max.	-20 ... 80 °C
Operational voltage	See table below
Protection class	IP67
Wire cross-section	0,75 mm ²
Mounting screw tightening torque	0,4 Nm
Weight	See table below

Technical data

Part No.		Operational voltage	Protective circuit	Contact assignment	LED status display
1834484160		230 V AC/DC	-	2+E	-
1834484162		24 V AC/DC	Z-diode	2+E	Yellow
1834484163		24 V AC/DC	Z-diode	2+E	Yellow
1834484164		230 V AC/DC	Varistor	2+E	Red
1834484165		230 V AC/DC	Varistor	2+E	Red

Part No.	Number of wires	Cable-Ø	Cable length	Weight	Fig.	
1834484160	3	5,9 mm	3 m	0,2 kg	Fig. 1	1)
1834484162	3	5,9 mm	3 m	0,2 kg	Fig. 2	-
1834484163	3	5,9 mm	5 m	0,31 kg	Fig. 2	-
1834484164	3	5,9 mm	3 m	0,2 kg	Fig. 2	-
1834484165	3	5,9 mm	5 m	0,31 kg	Fig. 2	-

1) Scope of delivery incl. flat gasket

Technical information

The specified protection class is only valid in assembled and tested state.

Technical information

Material	
Seals	caoutchouc/butadiene caoutchouc
Cable sheath	Polyvinyl chloride

Dimensions

Fig. 1

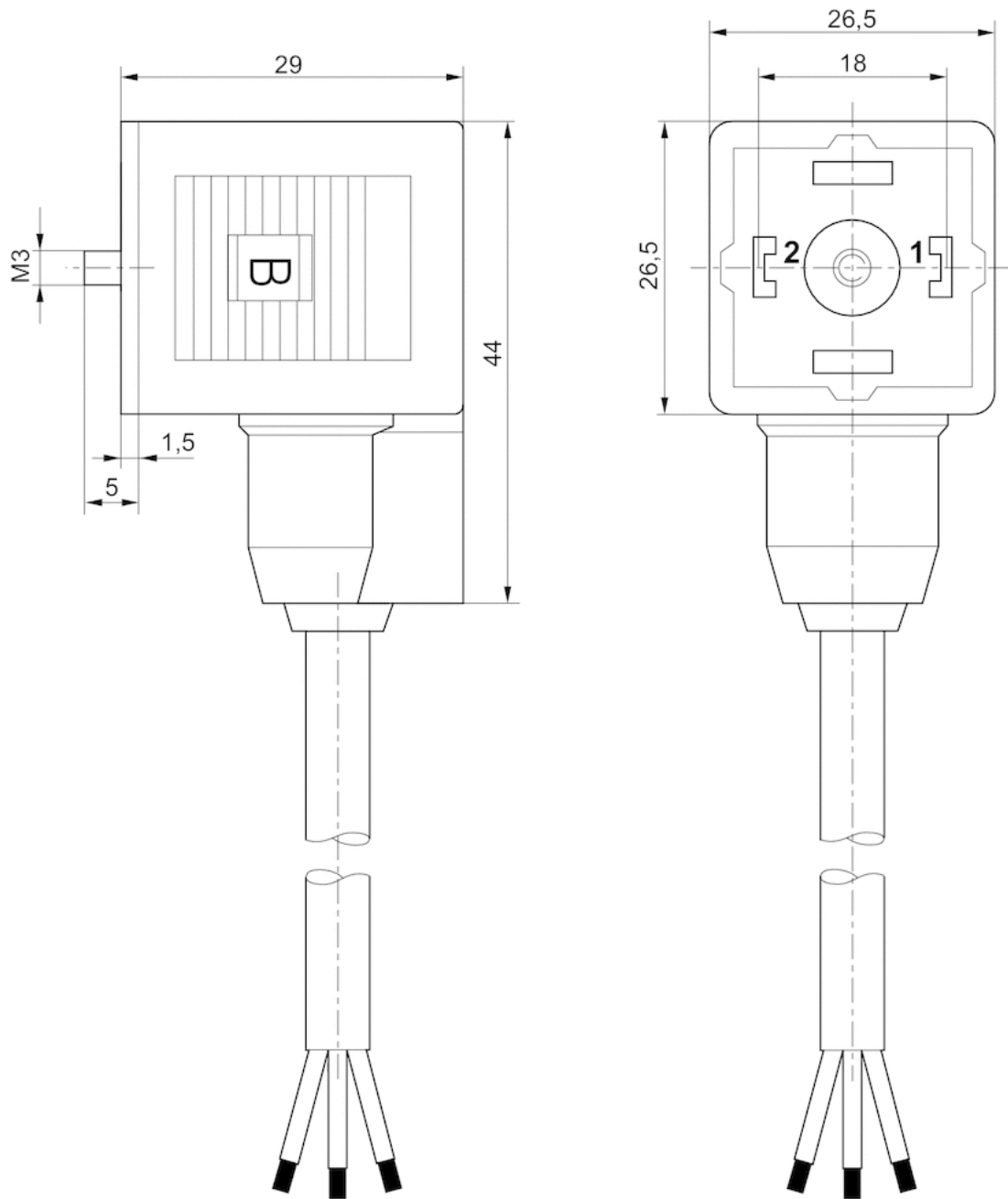
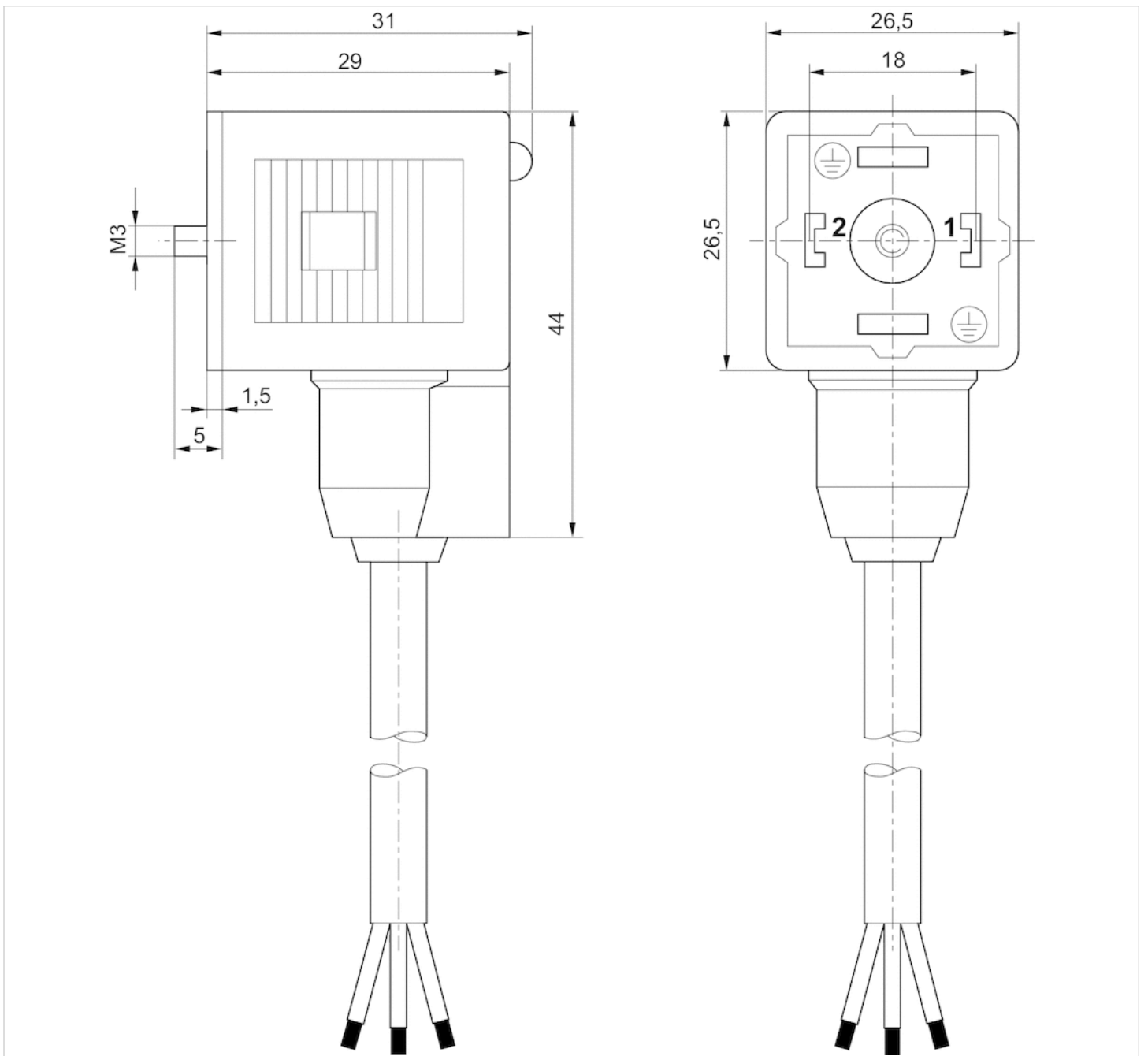


Fig. 2



Efficient pneumatic solutions, our program: cylinders and drives, valves and valve systems, air supply management



Visit us: [Emerson.com/Aventics](https://www.emerson.com/Aventics)

Your local contact: [Emerson.com/contactus](https://www.emerson.com/contactus)



Emerson.com



[Facebook.com/EmersonAutomationSolutions](https://www.facebook.com/EmersonAutomationSolutions)



[LinkedIn.com/company/Emerson-Automation-Solutions](https://www.linkedin.com/company/Emerson-Automation-Solutions)



[Twitter.com/EMR_Automation](https://twitter.com/EMR_Automation)

An example configuration is depicted on the title page. The delivered product may thus vary from that in the illustration. Subject to change. This Document, as well as the data, specifications and other information set forth in it, are the exclusive property of AVENTICS GmbH. It may not be reproduced or given to third parties without its consent. Only use the AVENTICS products shown in industrial applications. Read the product documentation completely and carefully before using the product. Observe the applicable regulations and laws of the respective country. When integrating the product into applications, note the system manufacturer's specifications for safe use of the product. The data specified only serve to describe the product. No statements concerning a certain condition or suitability for a certain application can be derived from our information. The information given does not release the user from the obligation of own judgement and verification. It must be remembered that the products are subject to a natural process of wear and aging.

The Emerson logo is a trademark and service mark of Emerson Electric Co. Brand logotype are registered trademarks of one of the Emerson family of companies. All other marks are the property of their respective owners. © 2021 Emerson Electric Co. All rights reserved.
2022-09



CONSIDER IT SOLVED™