

STAINLESS STEEL

SERIES

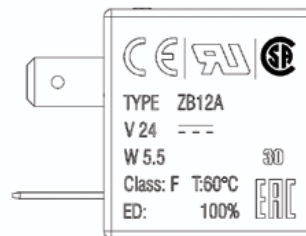
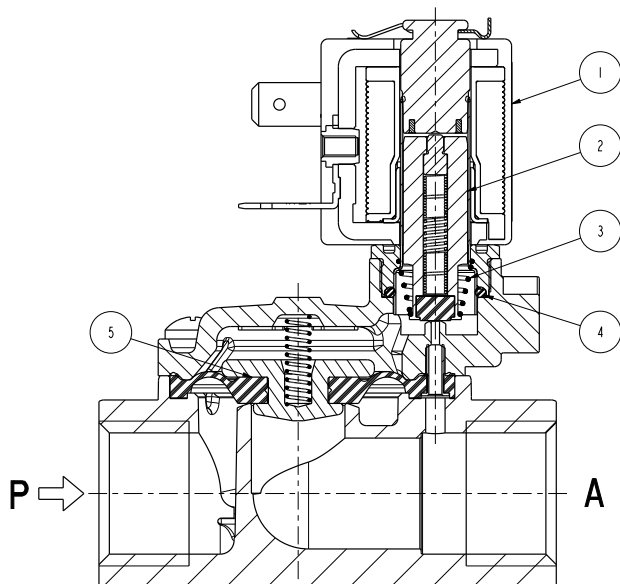
L182-NPT

ASCO™ SOLENOID VALVE

2/2 NORMALLY CLOSED – PILOT OPERATED - 3/8 NPT ÷ 1 NPT

Spare Parts

L182B-11



Kit description	Model	Port Size	Kit P.N.	Consisting of:
Core kit	L182B		G3138201	Core kit pos.2 Core return spring pos. 3 O-Ring guide assembly pos. 4
Diaphragm assembly	L182B	3/8-1/2	2844305R	Diaphragm assembly pos.5
		3/4	298594-003R	
		1	298592-003R	
Coil			ZB12	Coil pos.1

THE VALIDITY OF REPORTED DATA IS REFERRED TO THE DATE OF ISSUE. POSSIBLE UPDATES ARE AVAILABLE ON REQUEST