

Series QR2-C, stainless steel



AVENTICS™ Series QR2-C, stainless steel



Series QR2-C-RPN, stainless steel

- Straight fitting
- External thread
- M5 M7 G 1/8 G 1/4 G 3/8 G 1/2
- push-in fitting
- Ø 4 Ø 6 Ø 8 Ø 10 Ø 12
- QR2-C-RPN
- suitable for use in food processing



Working pressure min./max.

-0.95 ... 16 bar

Ambient temperature min./max.

-20 ... 150 °C

Weight per piece

See table below

Technical data

Part No.	Port G	Port D	Delivery unit	Weight per piece
2544004050	M5	Ø 4	2 piece	0.005 kg
R412026847	M5	Ø 6	2 piece	0.008 kg
R412010036	M7	Ø 4	2 piece	0.01 kg
R412010037	M7	Ø 6	2 piece	0.01 kg
R412004890	G 1/8	Ø 4	2 piece	0.008 kg
R412004891	G 1/8	Ø 6	2 piece	0.01 kg
R412004892	G 1/8	Ø 8	2 piece	0.013 kg
R412004893	G 1/4	Ø 6	2 piece	0.015 kg
R412004894	G 1/4	Ø 8	2 piece	0.019 kg
R412004895	G 1/4	Ø 10	2 piece	0.022 kg
R412004896	G 3/8	Ø 10	2 piece	0.039 kg
R412004897	G 3/8	Ø 12	2 piece	0.041 kg
R412010043	G 1/2	Ø 10	2 piece	0.057 kg
R412010524	G 1/2	Ø 12	2 piece	0.055 kg

Technical information

The series QR1 (plastic) and QR2 (metal) can not be combined
Thread seal with captive O-ring

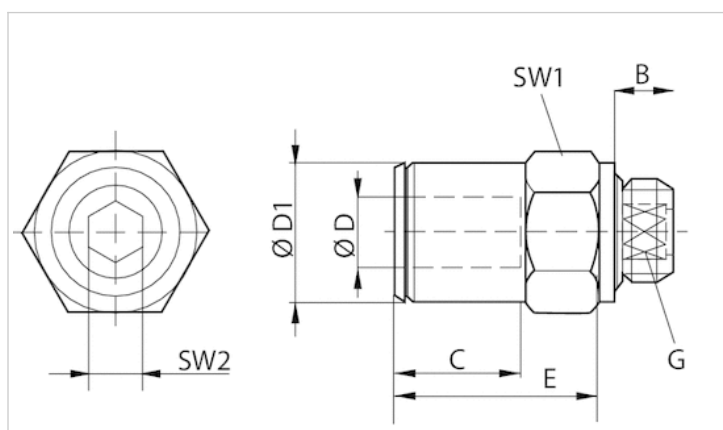
For further information about assembling and tolerances of adaptable tubing can be found in the "Technical information" document (available in the MediaCentre).

Technical information

Material	
Housing	Stainless steel
Seal	Fluorocaoutchouc
Tooth lock washer	Stainless steel
Release ring	Stainless steel
Thread	Stainless steel

Dimensions

Dimensions



Dimensions

Part No.	Port D	Port G	A	B	C	E*	SW1	SW2	ØD1
2544004050	Ø 4	M5	20.5	4	7	15	9	–	9
R412026847	Ø 6	M5	22.5	4	–	16	9	–	11
R412010036	Ø 4	M7	22.5	5.5	5	15	11	2.5	9
R412010037	Ø 6	M7	24	5.5	6	16	11	3.5	11
R412004890	Ø 4	G 1/8	17	5.5	7	15	13	3	9
R412004891	Ø 6	G 1/8	23.5	5.5	12.5	16	13	4	11
R412004892	Ø 8	G 1/8	23.5	5.5	12.5	18	13	5	13
R412004893	Ø 6	G 1/4	21.5	6.5	5.5	16	16	4	11
R412004894	Ø 8	G 1/4	25.5	6.5	9.5	16	16	6	13
R412004895	Ø 10	G 1/4	27.5	6.5	7.5	16	16	7	15
R412004896	Ø 10	G 3/8	25.5	9	7	19	21	8	15
R412004897	Ø 12	G 3/8	31	9	7	20	21	10	17
R412010043	Ø 10	G 1/2	29	9	7	19	23	8	15
R412010524	Ø 12	G 1/2	29	9	7	20	23	10	17

* Insertion depth

Series QR2-C-RVT , stainless steel

- Elbow fitting
- External thread
- M5 G 1/8 G 1/4 G 3/8 G 1/2
- push-in fitting
- Ø 4 Ø 6 Ø 8 Ø 10 Ø 12
- QR2-C-RVT
- suitable for use in food processing



Working pressure min./max.

-0.95 ... 16 bar

Ambient temperature min./max.

-20 ... 150 °C

Weight per piece

See table below

Technical data

Part No.	Port G	Port D	Delivery unit	Weight per piece
R412005617	M5	Ø 4	2 piece	0.008 kg
R412026810	M5	Ø 6	2 piece	0.009 kg
R412004898	G 1/8	Ø 4	2 piece	0.012 kg
R412004899	G 1/8	Ø 6	2 piece	0.02 kg
R412004900	G 1/8	Ø 8	2 piece	0.022 kg
R412004901	G 1/4	Ø 6	2 piece	0.024 kg
R412005616	G 1/4	Ø 8	2 piece	0.025 kg
R412004902	G 3/8	Ø 10	1 piece	0.043 kg
R412004903	G 3/8	Ø 12	1 piece	0.06 kg
R412026809	G 1/2	Ø 12	1 piece	0.06 kg

Technical information

The series QR1 (plastic) and QR2 (metal) can not be combined
Thread seal with captive O-ring

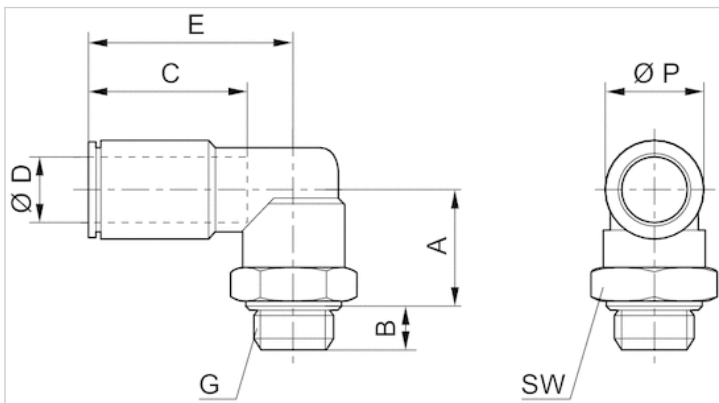
For further information about assembling and tolerances of adaptable tubing can be found in the "Technical information" document (available in the MediaCentre).

Technical information

Material	
Housing	Stainless steel
Seal	Fluorocaoutchouc
Tooth lock washer	Stainless steel
Release ring	Stainless steel
Thread	Stainless steel

Dimensions

Dimensions



Dimensions

Part No.	Port D	Port G	A	B	C	E	SW	Ø P
R412005617	Ø 4	M5	15	4	15	14.5	9	9
R412026810	Ø 6	M5	16	4	15	14.5	9	9
R412004898	Ø 4	G 1/8	14.5	5.5	15	19.5	13	9
R412004899	Ø 6	G 1/8	16.5	5.5	16	19.5	13	11
R412004900	Ø 8	G 1/8	18.5	5.5	18	19.5	13	13
R412004901	Ø 6	G 1/4	15.5	6.5	16	20.5	16	11
R412005616	Ø 8	G 1/4	17.5	6.5	18	20.5	16	13
R412004902	Ø 10	G 3/8	18.5	7	19	24	21	16
R412004903	Ø 12	G 3/8	21	7	19	26.5	21	19
R412026809	Ø 12	G 1/2	33,5	11	19	28.5	20	19

Series QR2-C-RTT, stainless steel

- T-union
- External thread
- M5 G 1/8 G 1/4
- push-in fitting
- Ø 4 Ø 6 Ø 8
- QR2-C-RTT
- suitable for use in food processing



Working pressure min./max.

-0.95 ... 16 bar

Ambient temperature min./max.

-20 ... 150 °C

Weight per piece

See table below

Technical data

Part No.	Port G	Port D	Delivery unit	Weight per piece
R412004889	M5	Ø 4	2 piece	0.013 kg
R412004904	G 1/8	Ø 4	2 piece	0.017 kg
R412004905	G 1/8	Ø 6	2 piece	0.029 kg
R412004906	G 1/8	Ø 8	2 piece	0.03 kg
R412004907	G 1/4	Ø 6	2 piece	0.033 kg
R412004908	G 1/4	Ø 8	2 piece	0.035 kg

Technical information

The series QR1 (plastic) and QR2 (metal) can not be combined
Thread seal with captive O-ring

For further information about assembling and tolerances of adaptable tubing can be found in the "Technical information" document (available in the MediaCentre).

Technical information

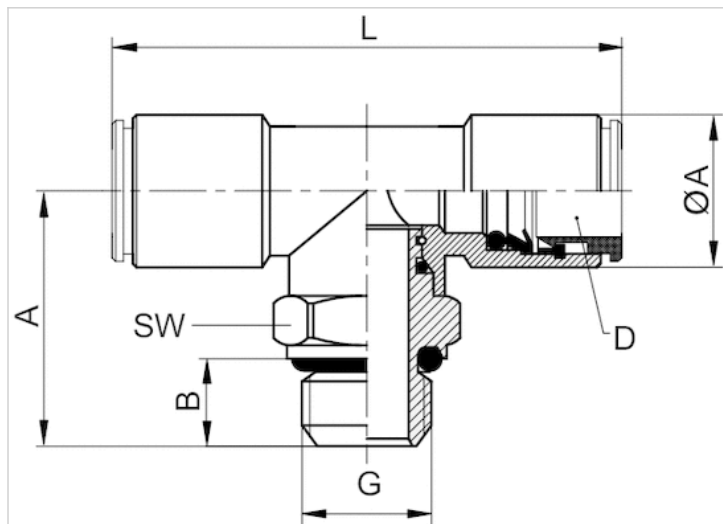
Material	
Housing	Stainless steel
Seal	Fluorocaoutchouc
Tooth lock washer	Stainless steel
Release ring	Stainless steel

Material

Stainless steel

Dimensions

Dimensions



Dimensions

Part No.	Port D	Port G	A	Ø A	B	C	E	SW
R412004889	Ø 4	M5	18	9	4	15	34	9
R412004904	Ø 4	G 1/8	20	9	5	15	34	13
R412004905	Ø 6	G 1/8	22.5	12	5	16	42	13
R412004906	Ø 8	G 1/8	22.5	14	5	18	43	13
R412004907	Ø 6	G 1/4	24.5	12	6.5	16	42	16
R412004908	Ø 8	G 1/4	24.5	14	6.5	18	43	16

Series QR2-C-RSK, stainless steel

- Straight plug connector
- push-in fitting
- Ø 4 Ø 6 Ø 8 Ø 10 Ø 12
- QR2-C-RSK
- suitable for use in food processing



Working pressure min./max.	-0.95 ... 16 bar
Ambient temperature min./max.	-20 ... 150 °C
Weight per piece	See table below

Technical data

Part No.	Port G	Delivery unit	Weight per piece
R412004982	Ø 4	2 piece	0.011 kg
R412004983	Ø 6	2 piece	0.016 kg
R412004984	Ø 8	2 piece	0.018 kg
R412004985	Ø 10	2 piece	0.025 kg
R412004986	Ø 12	2 piece	0.03 kg

Technical information

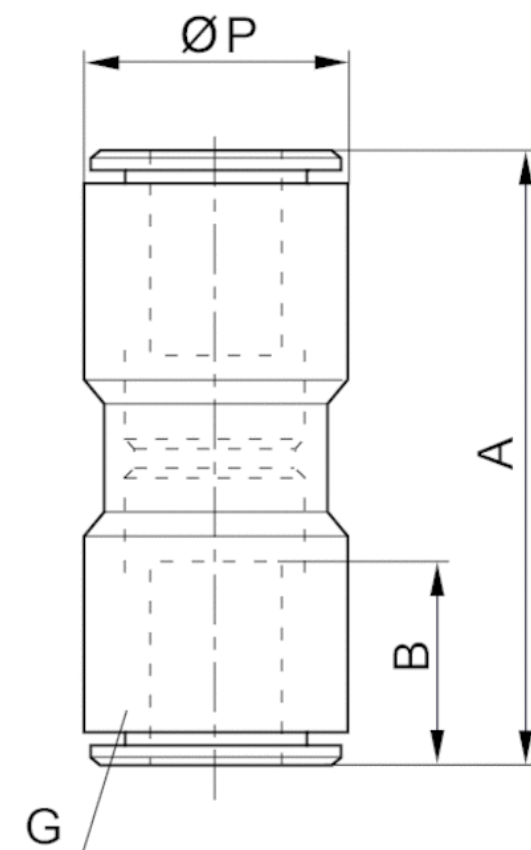
The series QR1 (plastic) and QR2 (metal) can not be combined

For further information about assembling and tolerances of adaptable tubing can be found in the "Technical information" document (available in the MediaCentre).

Technical information

Material	
Housing	Stainless steel
Seal	Fluorocaoutchouc
Tooth lock washer	Stainless steel
Release ring	Stainless steel

Dimensions



Dimensions

Part No.	Port G	A	B	Ø P
R412004982	$\text{Ø } 4$	30	15	9
R412004983	$\text{Ø } 6$	33	16	11
R412004984	$\text{Ø } 8$	37	18	13
R412004985	$\text{Ø } 10$	37	19	15
R412004986	$\text{Ø } 12$	39	20	17

Series QR2-C-RSM, stainless steel

- Bulkhead push-in fitting, metal
- push-in fitting
- Ø 4 Ø 6 Ø 8 Ø 10 Ø 12
- push-in fitting
- Ø 4 Ø 6 Ø 8 Ø 10 Ø 12
- QR2-C-RSM
- suitable for use in food processing



Working pressure min./max. -0.95 ... 16 bar
 Ambient temperature min./max. -20 ... 150 °C
 Weight per piece See table below

Technical data

Part No.	Port G	Port D	Delivery unit	Weight per piece
2544404000	Ø 4	Ø 4	2 piece	0.024 kg
2544406000	Ø 6	Ø 6	2 piece	0.031 kg
2544408000	Ø 8	Ø 8	2 piece	0.038 kg
2544410000	Ø 10	Ø 10	2 piece	0.051 kg
2544412000	Ø 12	Ø 12	2 piece	0.06 kg

Technical information

The series QR1 (plastic) and QR2 (metal) can not be combined

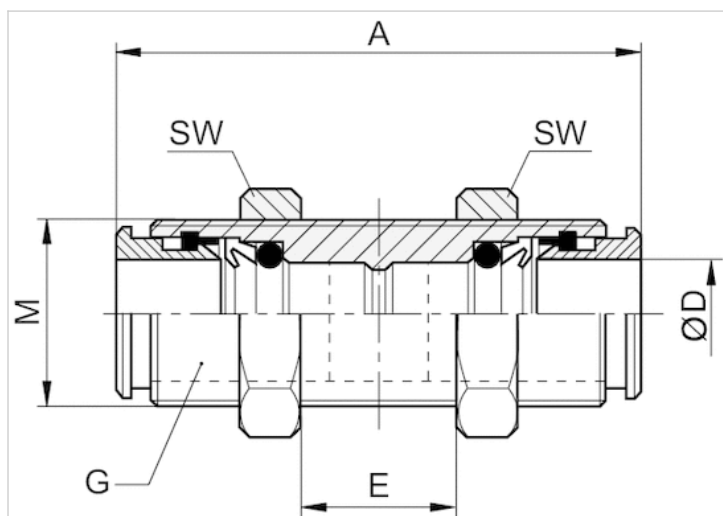
For further information about assembling and tolerances of adaptable tubing can be found in the "Technical information" document (available in the MediaCentre).

Technical information

Material	
Housing	Stainless steel
Seal	Fluorocaoutchouc
Tooth lock washer	Stainless steel
Release ring	Stainless steel

Dimensions

Dimensions



Dimensions

Part No.	Port D	Port G	M	A	C	E 1)	SW
2544404000	Ø 4	Ø 4	M12x1	27	13.5	11	15
2544406000	Ø 6	Ø 6	M14x1	32.5	16.2	16	17
2544408000	Ø 8	Ø 8	M16x1	33	16.5	17	19
2544410000	Ø 10	Ø 10	M18x1	37.5	18.7	19	21
2544412000	Ø 12	Ø 12	M20x1	39.5	19.7	20	24

1) max.

Series QR2-C-RSG, stainless steel

- Bulkhead connector with external thread
- G 1/8 G 1/4 G 3/8 G 1/2
- QR2-C-RSG
- suitable for use in food processing



Working pressure min./max.	-0.95 ... 16 bar
Ambient temperature min./max.	-20 ... 150 °C
Weight per piece	See table below

Technical data

Part No.	Port G	Delivery unit	Weight per piece
R412004961	G 1/8	2 piece	0.028 kg
R412004962	G 1/4	2 piece	0.054 kg
R412004963	G 3/8	2 piece	0.09 kg
R415009442	G 1/2	1 piece	0.11 kg

Technical information

The series QR1 (plastic) and QR2 (metal) can not be combined

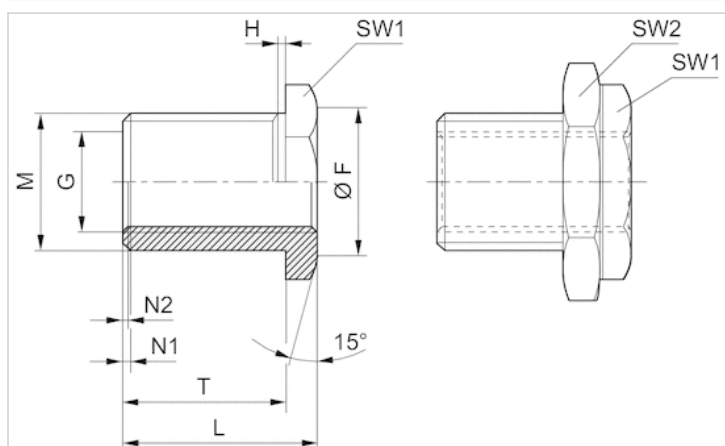
For further information about assembling and tolerances of adaptable tubing can be found in the "Technical information" document (available in the MediaCentre).

Technical information

Material	
Housing	Stainless steel
Thread	Stainless steel

Dimensions

Dimensions



Dimensions

Part No.	Port G	M	L	T	N1	N2	H	Ø F	SW1	SW2
R412004961	G 1/8	M16x1,5	18	14	1x45	0,5x45	1	18	19	22
R412004962	G 1/4	M20x1,5	25	21	1x45	1x45	2	23	24	27
R412004963	G 3/8	M26x1,5	26	21	1x45	1x45	2	29	30	32
R415009442	G 1/2	M28x1,5	33	27	1x45	1x45	2	31	32	36

Series QR2-C-RVK, stainless steel

- Angled plug connector
- push-in fitting
- Ø 4 Ø 6 Ø 8 Ø 10 Ø 12
- push-in fitting
- Ø 4 Ø 6 Ø 8 Ø 10 Ø 12
- QR2-C-RVK
- suitable for use in food processing



Working pressure min./max.

-0.95 ... 16 bar

Ambient temperature min./max.

-20 ... 150 °C

Weight per piece

See table below

Technical data

Part No.	Port G	Port D	Delivery unit	Weight per piece
2544204000	Ø 4	Ø 4	2 piece	0.011 kg
2544206000	Ø 6	Ø 6	2 piece	0.018 kg
2544208000	Ø 8	Ø 8	2 piece	0.023 kg
2544210000	Ø 10	Ø 10	2 piece	0.041 kg
2544212000	Ø 12	Ø 12	2 piece	0.044 kg

Technical information

The series QR1 (plastic) and QR2 (metal) can not be combined

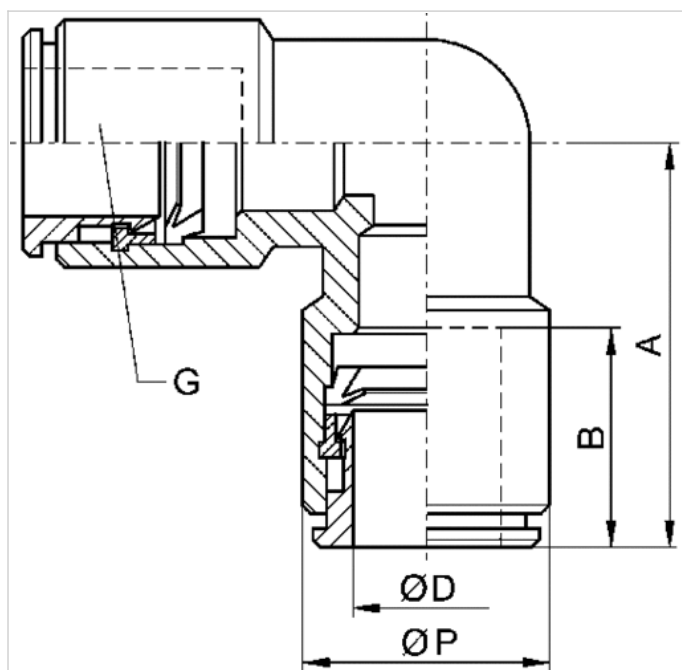
For further information about assembling and tolerances of adaptable tubing can be found in the "Technical information" document (available in the MediaCentre).

Technical information

Material	
Housing	Stainless steel
Seal	Fluorocaoutchouc
Tooth lock washer	Stainless steel
Release ring	Stainless steel

Dimensions

Dimensions



Dimensions

Part No.	Port D	Port G	A	B*	Ø P
2544204000	Ø 4	Ø 4	17	15	9
2544206000	Ø 6	Ø 6	20	16	12
2544208000	Ø 8	Ø 8	21	18	14
2544210000	Ø 10	Ø 10	25	19	16
2544212000	Ø 12	Ø 12	27	20	18

* Insertion depth

Series QR2-C-RTK, stainless steel

- T-plug connector
- push-in fitting
- Ø 4 Ø 6 Ø 8 Ø 10 Ø 12
- push-in fitting
- Ø 4 Ø 6 Ø 8 Ø 10 Ø 12
- QR2-C-RTK
- suitable for use in food processing



Working pressure min./max.	-0.95 ... 16 bar
Ambient temperature min./max.	-20 ... 150 °C
Weight per piece	See table below

Technical data

Part No.	Port G	Port D	Delivery unit	Weight per piece
2544304000	Ø 4	Ø 4	2 piece	0.014 kg
2544306000	Ø 6	Ø 6	2 piece	0.029 kg
2544308000	Ø 8	Ø 8	2 piece	0.031 kg
2544310000	Ø 10	Ø 10	2 piece	0.055 kg
2544312000	Ø 12	Ø 12	2 piece	0.059 kg

Technical information

The series QR1 (plastic) and QR2 (metal) can not be combined

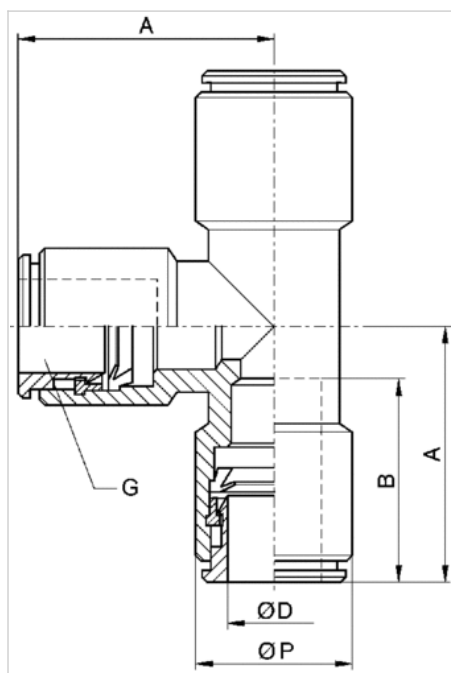
For further information about assembling and tolerances of adaptable tubing can be found in the "Technical information" document (available in the MediaCentre).

Technical information

Material	
Housing	Stainless steel
Seal	Fluorocaoutchouc
Tooth lock washer	Stainless steel
Release ring	Stainless steel

Dimensions

Dimensions



Dimensions

Part No.	Port D	Port G	A	B	Ø P
2544304000	Ø 4	Ø 4	17	15	9
2544306000	Ø 6	Ø 6	20	16	12
2544308000	Ø 8	Ø 8	21	18	14
2544310000	Ø 10	Ø 10	25	19	16
2544312000	Ø 12	Ø 12	27	20	18

Series QR2-C-RED, stainless steel

- Straight push-in fitting, reducing
- push-in fitting
- Ø 4 Ø 6 Ø 8
- pin bushing
- Ø 6 Ø 8 Ø 10
- QR2-C-RED
- suitable for use in food processing



Working pressure min./max.

-0.95 ... 16 bar

Ambient temperature min./max.

-20 ... 150 °C

Weight per piece

See table below

Technical data

Part No.	Port G	Port D	Delivery unit	Weight per piece
2544506040	Ø 4	Ø 6	2 piece	0.006 kg
2544508060	Ø 6	Ø 8	2 piece	0.01 kg
2544510080	Ø 8	Ø 10	2 piece	0.015 kg

Technical information

The series QR1 (plastic) and QR2 (metal) can not be combined

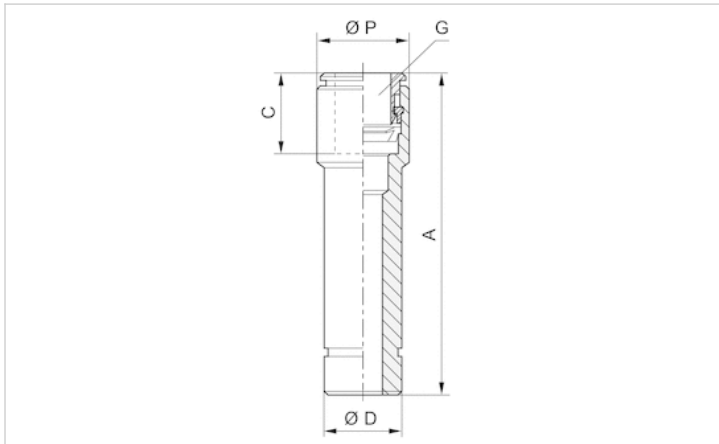
For further information about assembling and tolerances of adaptable tubing can be found in the "Technical information" document (available in the MediaCentre).

Technical information

Material	
Housing	Stainless steel
Seal	Fluorocaoutchouc
Tooth lock washer	Stainless steel
Release ring	Stainless steel

Dimensions

Dimensions



Dimensions

Part No.	Port D	Port G	A	C*	$\varnothing P$
2544506040	$\varnothing 6$	$\varnothing 4$	27	15	9
2544508060	$\varnothing 8$	$\varnothing 6$	32.5	16	12
2544510080	$\varnothing 10$	$\varnothing 8$	33	18	14

* Insertion depth

Series QR2-C-RPN, stainless steel

- Straight fitting, conical
- External thread
- R 1/8 R 1/4 R 3/8 R 1/2
- push-in fitting
- Ø 4 Ø 6 Ø 8 Ø 10 Ø 12
- QR2-C-RPN
- suitable for use in food processing



Working pressure min./max.

-0.95 ... 16 bar

Ambient temperature min./max.

-20 ... 150 °C

Weight per piece

See table below

Technical data

Part No.	Port G	Port D	Delivery unit	Weight per piece
2544004180	R 1/8	Ø 4	2 piece	0.006 kg
2544006180	R 1/8	Ø 6	2 piece	0.009 kg
2544008180	R 1/8	Ø 8	2 piece	0.014 kg
2544004140	R 1/4	Ø 4	2 piece	0.016 kg
2544006140	R 1/4	Ø 6	2 piece	0.014 kg
2544008140	R 1/4	Ø 8	2 piece	0.014 kg
2544010140	R 1/4	Ø 10	2 piece	0.021 kg
2544010380	R 3/8	Ø 10	1 piece	0.021 kg
2544012380	R 3/8	Ø 12	1 piece	0.026 kg
2544012120	R 1/2	Ø 12	1 piece	0.041 kg

Technical information

The series QR1 (plastic) and QR2 (metal) can not be combined

For further information about assembling and tolerances of adaptable tubing can be found in the "Technical information" document (available in the MediaCentre).

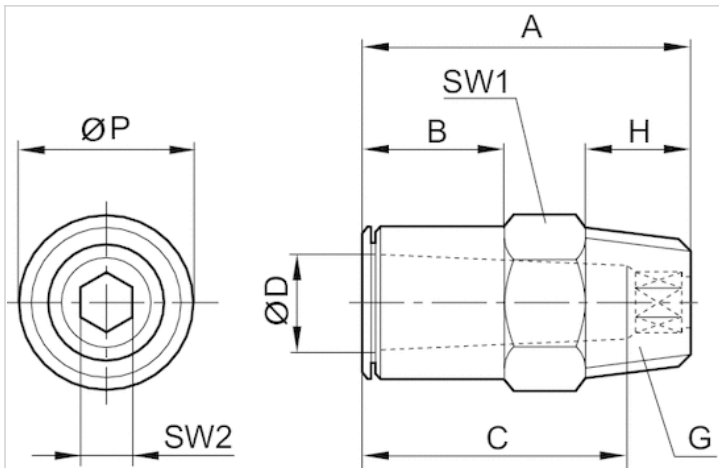
Technical information

Material	
Housing	Stainless steel
Seal	Fluorocaoutchouc

Material	
Tooth lock washer	Stainless steel
Release ring	Stainless steel
Thread	Stainless steel

Dimensions

Dimensions



Dimensions

Part No.	Port D	Port G	A	B	C	H	SW1	SW2	ØP
2544004180	$\text{Ø} 4$	R 1/8	18	5	15	6.5	10	3	9
2544006180	$\text{Ø} 6$	R 1/8	20.5	6	18	7.5	12	5	11
2544008180	$\text{Ø} 8$	R 1/8	24	11.5	16	7.5	14	6	13
2544004140	$\text{Ø} 4$	R 1/4	21.5	1.5	16	10.5	14	3	9
2544006140	$\text{Ø} 6$	R 1/4	20.5	2.5	15	11	14	5	11
2544008140	$\text{Ø} 8$	R 1/4	22.5	4.5	19	11	14	6	13
2544010140	$\text{Ø} 10$	R 1/4	29.5	11	19	11	16	9	16
2544010380	$\text{Ø} 10$	R 3/8	25.5	6	19	11.5	17	5	16
2544012380	$\text{Ø} 12$	R 3/8	31.5	11	20	11.5	19	10	18
2544012120	$\text{Ø} 12$	R 1/2	31.5	8.5	20	14	22	10	18

Series QR2-C-RVT , stainless steel

- Elbow fitting, conical
- External thread
- R 1/8 R 1/4 R 3/8 R 1/2
- push-in fitting
- Ø 4 Ø 6 Ø 8 Ø 10 Ø 12
- QR2-C-RVT
- suitable for use in food processing



Working pressure min./max.

-0.95 ... 16 bar

Ambient temperature min./max.

-20 ... 150 °C

Weight per piece

See table below

Technical data

Part No.	Port G	Port D	Delivery unit	Weight per piece
2544104180	R 1/8	Ø 4	2 piece	0.011 kg
2544106180	R 1/8	Ø 6	2 piece	0.021 kg
2544108180	R 1/8	Ø 8	2 piece	0.022 kg
2544104140	R 1/4	Ø 4	2 piece	0.025 kg
2544106140	R 1/4	Ø 6	2 piece	0.027 kg
2544108140	R 1/4	Ø 8	2 piece	0.028 kg
2544110140	R 1/4	Ø 10	2 piece	0.037 kg
2544110380	R 3/8	Ø 10	1 piece	0.034 kg
2544112380	R 3/8	Ø 12	1 piece	0.066 kg
2544112120	R 1/2	Ø 12	1 piece	0.067 kg

Technical information

The series QR1 (plastic) and QR2 (metal) can not be combined

For further information about assembling and tolerances of adaptable tubing can be found in the "Technical information" document (available in the MediaCentre).

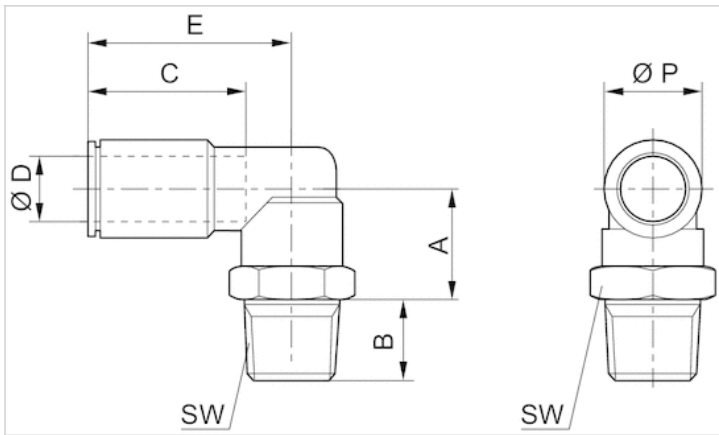
Technical information

Material	
Housing	Stainless steel
Seal	Fluorocaoutchouc

Material	
Tooth lock washer	Stainless steel
Release ring	Stainless steel
Thread	Stainless steel

Dimensions

Dimensions



Dimensions

Part No.	Port D	Port G	A	B	C	E	SW	Ø P
2544104180	Ø 4	R 1/8	13	7	15	20	13	9
2544106180	Ø 6	R 1/8	13	7	16	21	13	11
2544108180	Ø 8	R 1/8	13	7	18	24	13	13
2544104140	Ø 4	R 1/4	14	11	15	20	14	9
2544106140	Ø 6	R 1/4	14	11	16	21	14	11
2544108140	Ø 8	R 1/4	14	11	18	24	14	13
2544110140	Ø 10	R 1/4	14.5	11	17	26.5	16	16
2544110380	Ø 10	R 3/8	15.5	11.5	17	25.5	17	16
2544112380	Ø 12	R 3/8	19	11.5	18.5	28	20	18
2544112120	Ø 12	R 1/2	19.5	14	18.5	28	22	18

Series QR2-C-RTT, stainless steel

- T-union, conical
- External thread
- R 1/8 R 1/4 R 3/8
- push-in fitting
- Ø 4 Ø 6 Ø 8 Ø 10
- QR2-C-RTT
- suitable for use in food processing



Working pressure min./max.

-0.95 ... 16 bar

Ambient temperature min./max.

-20 ... 150 °C

Weight per piece

See table below

Technical data

Part No.	Port G	Port D	Delivery unit	Weight per piece
R412004968	R 1/8	Ø 4	2 piece	0.015 kg
R412004969	R 1/8	Ø 6	2 piece	0.03 kg
R412004970	R 1/8	Ø 8	2 piece	0.031 kg
R412004971	R 1/4	Ø 6	2 piece	0.034 kg
R412004972	R 1/4	Ø 8	2 piece	0.035 kg
R412004909	R 1/4	Ø 10	2 piece	0.058 kg
R412004910	R 3/8	Ø 10	1 piece	0.061 kg

Technical information

The series QR1 (plastic) and QR2 (metal) can not be combined

For further information about assembling and tolerances of adaptable tubing can be found in the "Technical information" document (available in the MediaCentre).

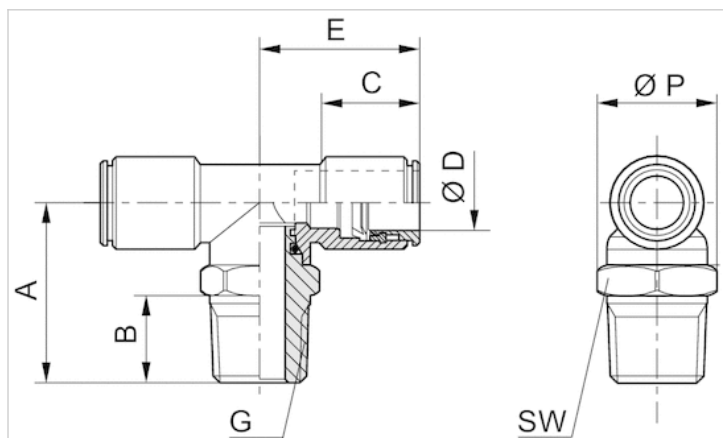
Technical information

Material	
Housing	Stainless steel
Seal	Fluorocaoutchouc
Tooth lock washer	Stainless steel
Release ring	Stainless steel

Material	
Thread	Stainless steel

Dimensions

Dimensions



Dimensions

Part No.	Port D	Port G	A	B	C	E	SW	Ø P
R412004968	Ø 4	R 1/8	21.5	7.5	15	17	10	9
R412004969	Ø 6	R 1/8	24.5	7.5	16	21	13	12
R412004970	Ø 8	R 1/8	24.5	7.5	18	21.5	13	14
R412004971	Ø 6	R 1/4	28.5	11	16	21	14	12
R412004972	Ø 8	R 1/4	28.5	11	18	21.5	14	14
R412004909	Ø 10	R 1/4	32	11	19	25	16	16
R412004910	Ø 10	R 3/8	32.5	11.5	19	25	18	16

Series QR2-C-RH1, stainless steel

- 1x banjo bolt
- External thread
- G 1/8 G 1/4
- QR2-C-RH1
- suitable for use in food processing



Working pressure min./max.	-0.95 ... 16 bar
Ambient temperature min./max.	-20 ... 150 °C
Weight per piece	See table below

Technical data

Part No.	Port G	Delivery unit	Weight per piece
R412004978	G 1/8	2 piece	0.014 kg
R412004979	G 1/4	2 piece	0.027 kg

Technical information

The series QR1 (plastic) and QR2 (metal) can not be combined

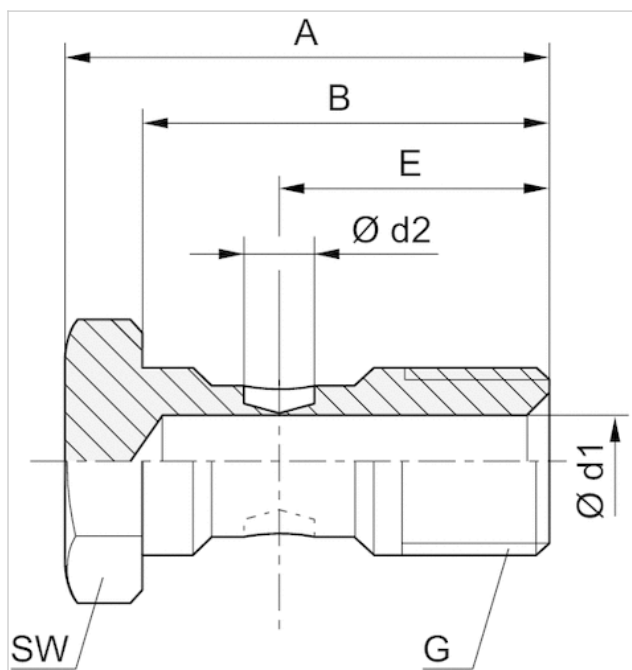
For further information about assembling and tolerances of adaptable tubing can be found in the "Technical information" document (available in the MediaCentre).

Technical information

Material	
Housing	Stainless steel
Seal	Polytetrafluorethylene
Thread	Stainless steel

Dimensions

Dimensions



Dimensions

Part No.	Port G	A	B	E	Ø d1	Ø d2	SW
R412004978	G 1/8	29	24.8	15.5	5	3.5	14
R412004979	G 1/4	32.5	27.5	17.5	7	5	17

Series QR2-C-RV1, stainless steel

- 1x banjo union
- G 1/8 G 1/4
- push-in fitting
- Ø 4 Ø 6 Ø 8
- QR2-C-RV1
- suitable for use in food processing



Working pressure min./max.	-0.95 ... 16 bar
Ambient temperature min./max.	-20 ... 150 °C
Weight per piece	See table below

Technical data

Part No.	Port G	Port D	Delivery unit	Weight per piece
R412004973	G 1/8	Ø 4	2 piece	0.013 kg
R412004974	G 1/8	Ø 6	2 piece	0.016 kg
R412004975	G 1/8	Ø 8	2 piece	0.017 kg
R412004976	G 1/4	Ø 6	2 piece	0.019 kg
R412004977	G 1/4	Ø 8	2 piece	0.02 kg

Technical information

The series QR1 (plastic) and QR2 (metal) can not be combined

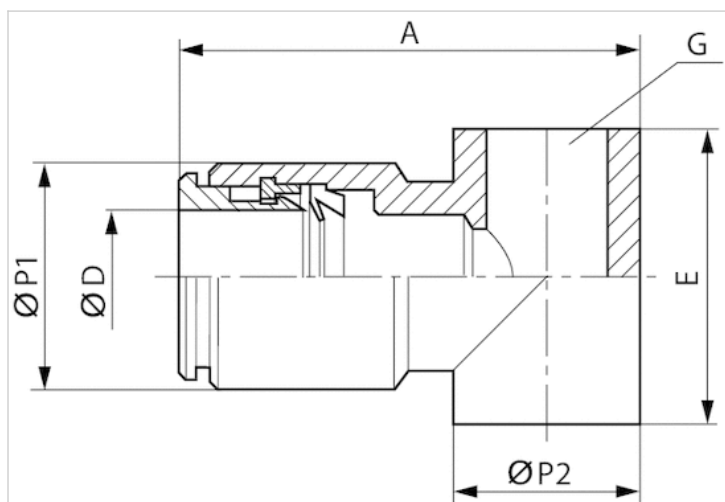
For further information about assembling and tolerances of adaptable tubing can be found in the "Technical information" document (available in the MediaCentre).

Technical information

Material	
Housing	Stainless steel
Seal	Fluorocaoutchouc
Tooth lock washer	Stainless steel
Release ring	Stainless steel

Dimensions

Dimensions



Dimensions

Part No.	Port D	Port G	A	E	Ø P1	Ø P2
R412004973	Ø 4	G 1/8	27	15	9	14
R412004974	Ø 6	G 1/8	29	15	12	14
R412004975	Ø 8	G 1/8	29.5	15	14	14
R412004976	Ø 6	G 1/4	32.5	17	12	18
R412004977	Ø 8	G 1/4	33	17	14	18

Efficient pneumatic solutions, our program: cylinders and drives, valves and valve systems, air supply management



Visit us: Emerson.com/Aventics

Your local contact: Emerson.com/contactus



Emerson.com



[Facebook.com/EmersonAutomationSolutions](https://www.facebook.com/EmersonAutomationSolutions)



[LinkedIn.com/company/Emerson-Automation-Solutions](https://www.linkedin.com/company/Emerson-Automation-Solutions)



[Twitter.com/EMR_Automation](https://twitter.com/EMR_Automation)

An example configuration is depicted on the title page. The delivered product may thus vary from that in the illustration. Subject to change. This Document, as well as the data, specifications and other information set forth in it, are the exclusive property of AVENTICS GmbH. It may not be reproduced or given to third parties without its consent. Only use the AVENTICS products shown in industrial applications. Read the product documentation completely and carefully before using the product. Observe the applicable regulations and laws of the respective country. When integrating the product into applications, note the system manufacturer's specifications for safe use of the product. The data specified only serve to describe the product. No statements concerning a certain condition or suitability for a certain application can be derived from our information. The information given does not release the user from the obligation of own judgment and verification. It must be remembered that the products are subject to a natural process of wear and aging.

The Emerson logo is a trademark and service mark of Emerson Electric Co. Brand logotype are registered trademarks of one of the Emerson family of companies. All other marks are the property of their respective owners. © 2017 Emerson Electric Co. All rights reserved.
2019-03



CONSIDER IT SOLVED™