

Series SGN



AVENTICS™ Series SGN

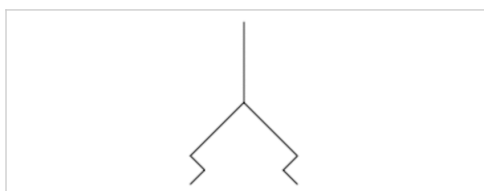


Flat suction gripper, Series SGN

- F = 1.5-8 N
- external diameter 6.3-16 mm
- External thread



Ambient temperature min./max.	-10 ... 70 °C
Min./max. temporary ambient temperature (30 s)	-30 ... 120 °C
Hardness according to standard	55 ± 5 Shore A
Abrasion value according to DIN 535 16	100-120 mm ³
Weight	See table below



Technical data

Part No.	Compressed air connection	external diameter	Holding force	Volume	Max. curving on object Rmin
			*)		
2732060000	M5	6.3 mm	1.5 N	0.017 cm ³	5 mm
2732100000	M5	10 mm	4 N	0.065 cm ³	9 mm
2732160000	M5	16 mm	8 N	0.33 cm ³	12 mm

Part No.	Delivery unit	Weight
2732060000	1 piece	0.002 kg
2732100000	1 piece	0.003 kg
2732160000	1 piece	0.004 kg

*) Theoretical value at 60% vacuum level, without safety factor

Technical information

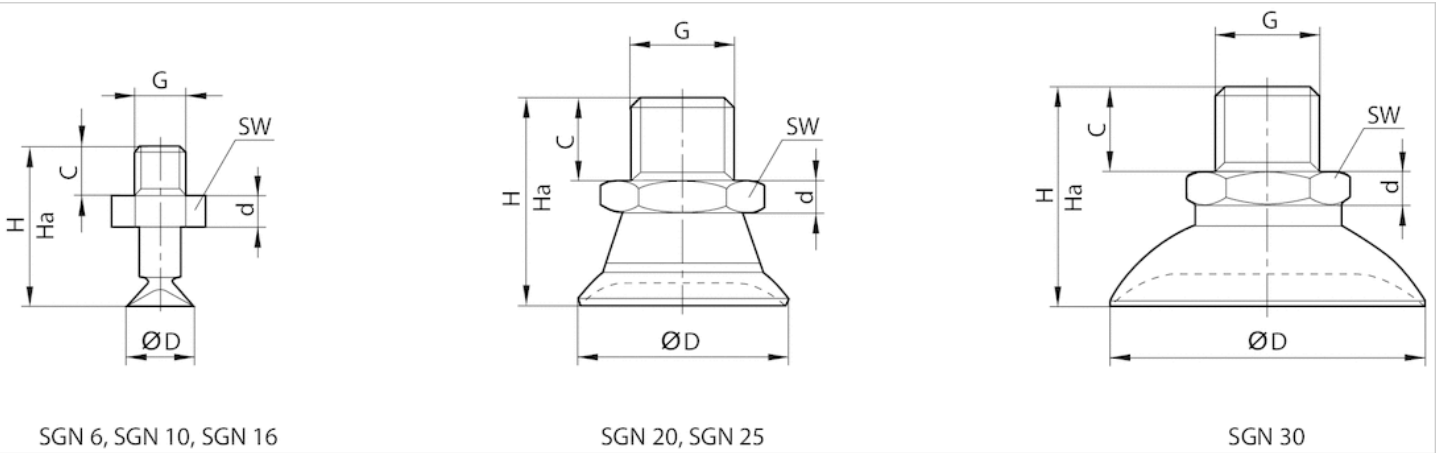
To be used on even, smooth, and sensitive surfaces.

Technical information

Material	
Connector	Aluminum
Vacuum	Acrylonitrile butadiene rubber

Dimensions

Dimensions



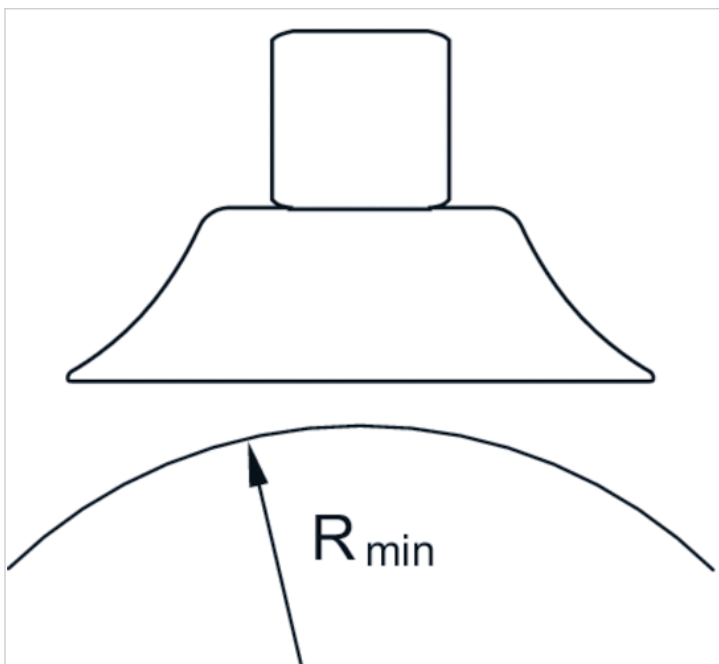
Dimensions

Part No.	ØD	G	H	Ha*)	C	d	SW
2732060000	6.3 mm	M5	15	13.5	4.5	3	8
2732100000	10 mm	M5	20	18	4.5	3	8
2732160000	16 mm	M5	21	17	4.5	3	8

*) Height for vacuum operation

Diagrams

Max. curving on object Rmin

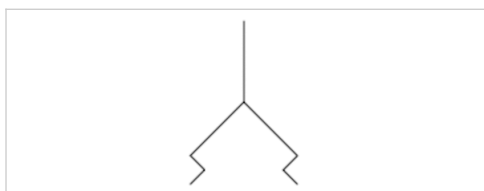


Flat suction gripper, Series SGN

- F = 1.5-8 N
- external diameter 6.3-16 mm
- External thread
- Heat resistant



Ambient temperature min./max.	-30 ... 180 °C
Min./max. temporary ambient temperature (30 s)	-50 ... 220 °C
Hardness according to standard	55 ± 5 Shore A
Abrasion value according to DIN 535 16	100-120 mm ³
Weight	See table below



Technical data

Part No.	Compressed air connection	external diameter	Holding force	Volume	Max. curving on object Rmin
			*)		
2732061000	M5	6.3 mm	1.5 N	0.017 cm ³	5 mm
2732101000	M5	10 mm	4 N	0.065 cm ³	9 mm
2732161000	M5	16 mm	8 N	0.33 cm ³	12 mm

Part No.	Delivery unit	Weight
2732061000	1 piece	0.002 kg
2732101000	1 piece	0.003 kg
2732161000	1 piece	0.004 kg

*) Theoretical value at 60% vacuum level, without safety factor

Technical information

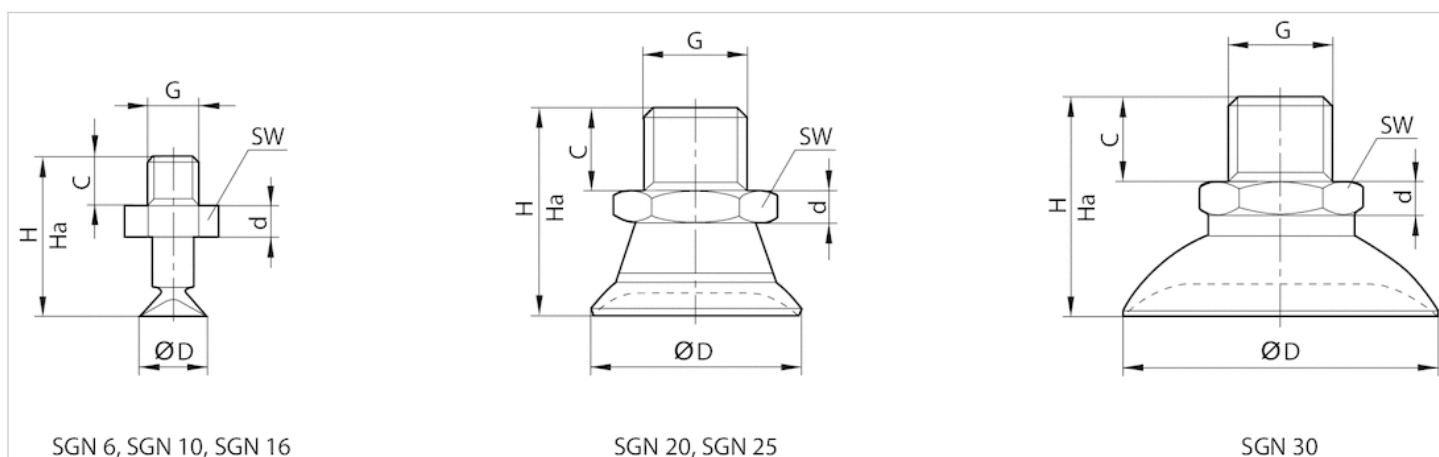
To be used on even, smooth, and sensitive surfaces.

Technical information

Material	
Connector	Aluminum
Vacuum	Fluoromethyl silicone

Dimensions

Dimensions



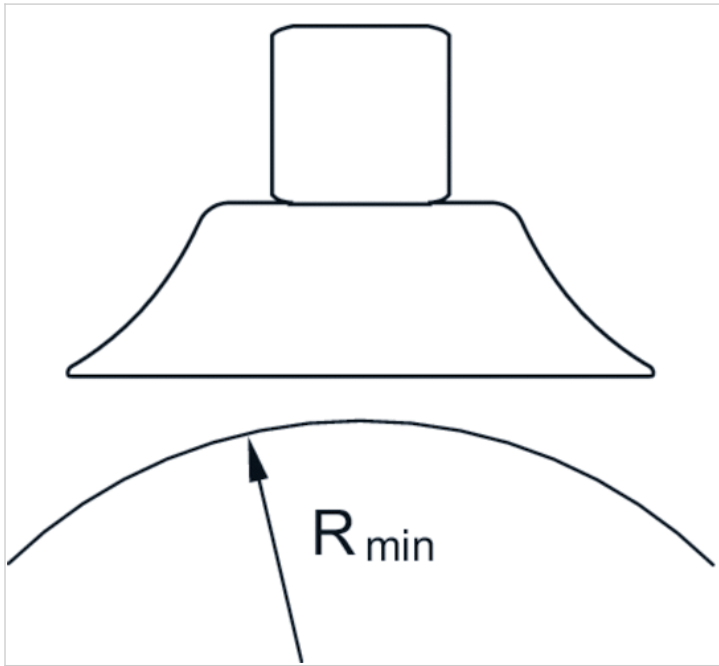
Dimensions

Part No.	ØD	G	H	Ha*)	C	d	SW
2732061000	6.3 mm	M5	15	13.5	4.5	3	8
2732101000	10 mm	M5	20	18	4.5	3	8
2732161000	16 mm	M5	21	17	4.5	3	8

*) Height for vacuum operation

Diagrams

Max. curving on object R_{min}



Efficient pneumatic solutions, our program: cylinders and drives, valves and valve systems, air supply management



Visit us: [Emerson.com/Aventics](https://www.emerson.com/Aventics)

Your local contact: [Emerson.com/contactus](https://www.emerson.com/contactus)



[Emerson.com](https://www.emerson.com)



[Facebook.com/EmersonAutomationSolutions](https://www.facebook.com/EmersonAutomationSolutions)



[LinkedIn.com/company/Emerson-Automation-Solutions](https://www.linkedin.com/company/Emerson-Automation-Solutions)



[Twitter.com/EMR_Automation](https://twitter.com/EMR_Automation)

An example configuration is depicted on the title page. The delivered product may thus vary from that in the illustration. Subject to change. This Document, as well as the data, specifications and other information set forth in it, are the exclusive property of AVENTICS GmbH. It may not be reproduced or given to third parties without its consent. Only use the AVENTICS products shown in industrial applications. Read the product documentation completely and carefully before using the product. Observe the applicable regulations and laws of the respective country. When integrating the product into applications, note the system manufacturer's specifications for safe use of the product. The data specified only serve to describe the product. No statements concerning a certain condition or suitability for a certain application can be derived from our information. The information given does not release the user from the obligation of own judgment and verification. It must be remembered that the products are subject to a natural process of wear and aging.

The Emerson logo is a trademark and service mark of Emerson Electric Co. Brand logotype are registered trademarks of one of the Emerson family of companies. All other marks are the property of their respective owners. © 2017 Emerson Electric Co. All rights reserved.
2019-03



CONSIDER IT SOLVED™