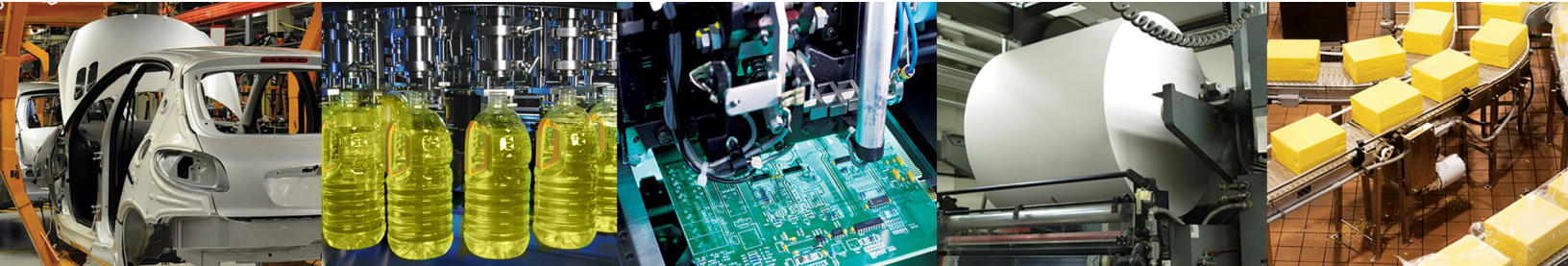


SH Series

Linear Slides



SH Series Linear Slides

Features and Benefits	3
How To Order	4
Dimensions	5-9
Specifications and Load Ratings	10-12
Mounting Options	13
NuMate Mounting System	14
Multi-Position How to Order	15
Multi-Position Dimensions	16
Sensing Part Numbers	18-20
Quick Disconnect Cables	21
World Switch Hall Effect Part Numbers	21

Our SH-Series Linear Slides are available with a wide range of options...

A. Body:

Hardcoat Anodized Aluminum(6061-T6511) lightweight, durable,
 high strength to weight ratio.
 Standard Dowel Location Holesallows precision mounting.
 Multi-Surface Mounting Holes flexible, easy access for mounting.

B. Air Cylinder:

Standard 440 C Stainless Steel Body and Rodcorrosion resistant.
 Standard w/ Magnetic Piston..... sensing applications (Hall, Reed or Prox)
 added as required.

C. Alignment Coupler:

Isolates Piston Rod from side loading maximize life of cylinder,
 360 degrees of float.

D. Tooling Plate:

NuMate™ Universal Mounting Pattern standardized mounting
 ... system, eliminates custom transition plates.
 Holes Drilled/Tapped and C'bored from the opposite sideeasy mounting.
 Standard Dowel Locating Holes precision mounting.

E. Guide Shafts:

Hardened Steel to Rc 60 - 65 long life.
 Hardened Stainless Steel to Rc 50 - 55 long life.
 Precision Ground & Polished to 15uRMS smooth cycling/
 low breakaway.
 Pilot Mounted to Tooling Plate maximum rigidity.
 Large Diameters increased load capacity.

F. Bearings: (Three Choices)

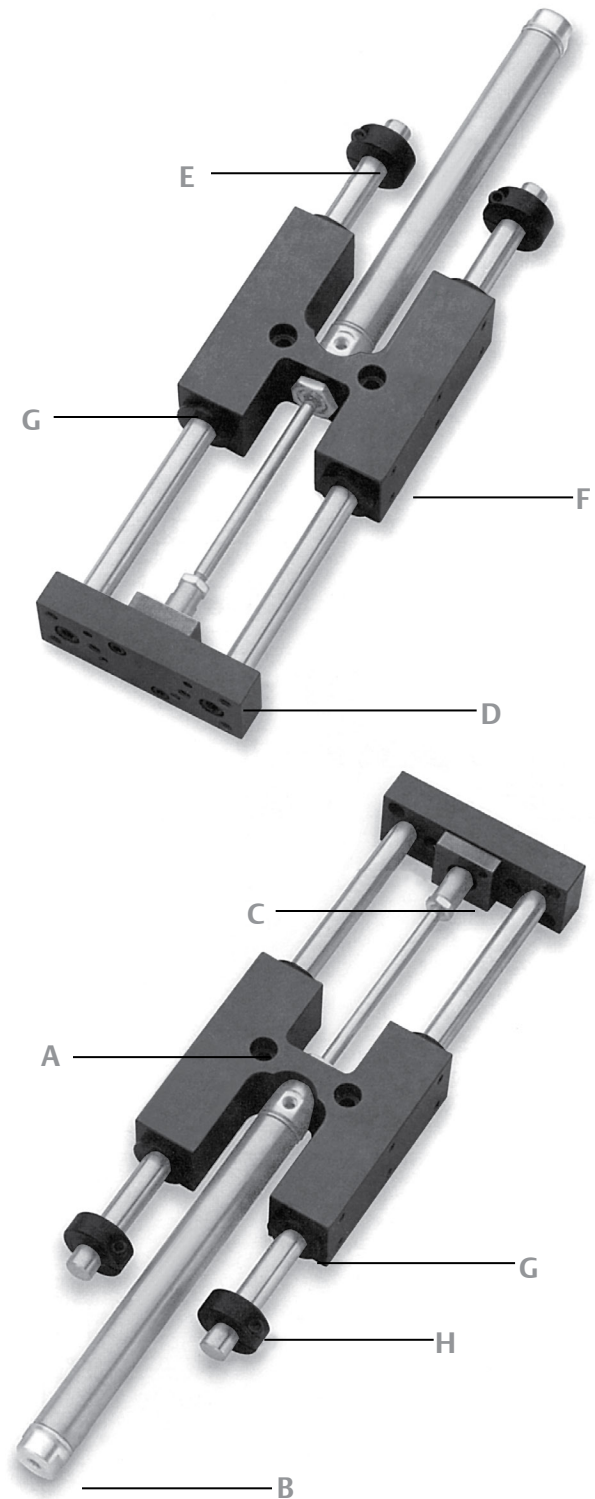
Four Precision Linear Ball Bearings
 Sealed with Rod Wipers safe guarding against dirt & contamination.
 Self-Aligning reducing wear, maximizing both.
 load capacity and long life.
 Four Sintered Bronze Sleeve Bearings
 Oil Impregnated self lubricating.
 High Pv Rating long service life.
 Four Frelon® Compounded PTFE
 Low Friction longest wear life.
 Maintenance Free self lubricating.

G. Bumpers: (Standard)

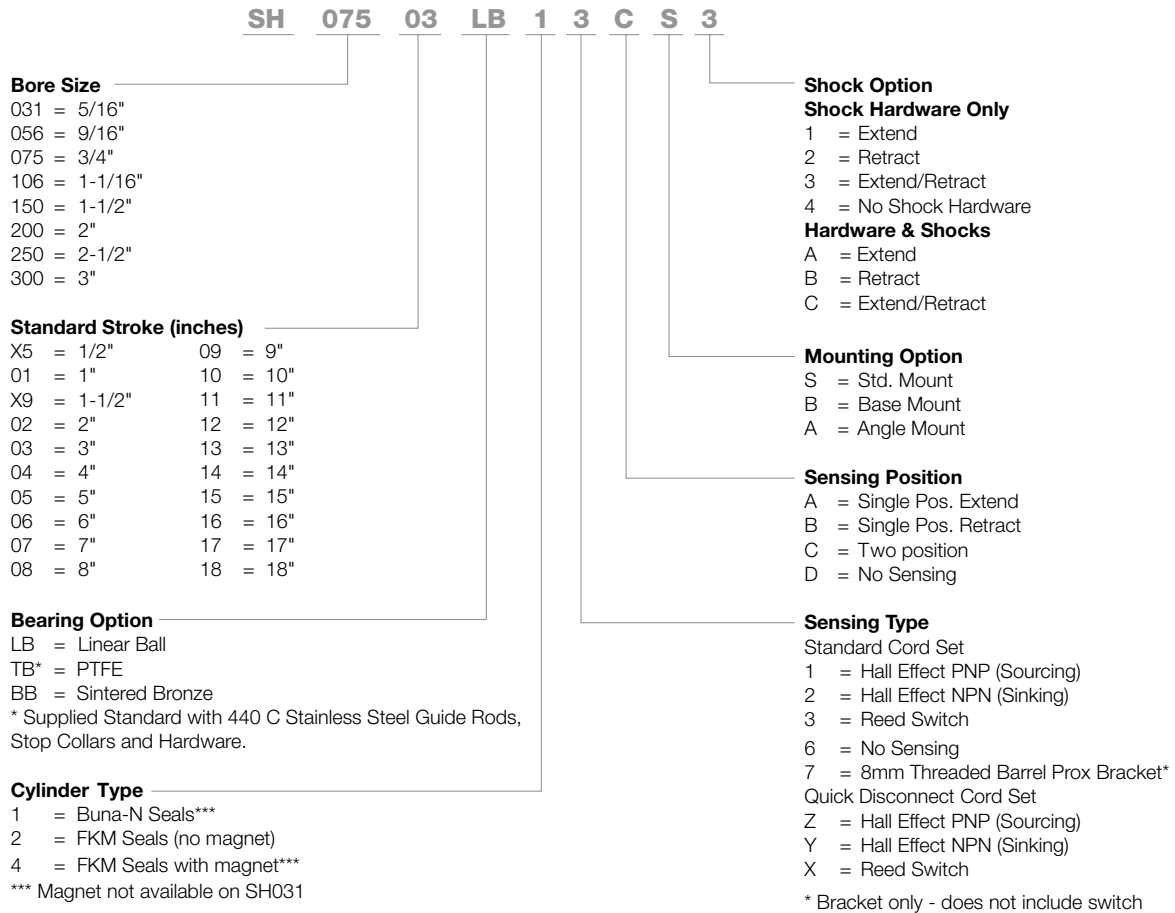
Polyurethane Material durable and long lasting.
 Integrated into body Design..reduces shock loading on extend & retract.
 Preliminary Rod Wiper removes larger contamination from Guide Shafts.

H. Adjustable Shaft Collars: (Standard)

Extend Stroke Adjustment flexibility.



How to Order



Ordering Example

Part Number: SH07503LB13CS3*

Part Description: 3/4 inch Bore by 3 inch stroke with Linear Ball Bearing, Standard Seals, Two Position Reed Switches, Standard Mount, Shock Hardware on Extend and Retract, Shocks not included.

*When entering an order, DO NOT use spaces or dashes. Follow example above.

Additional Sensors and Shocks

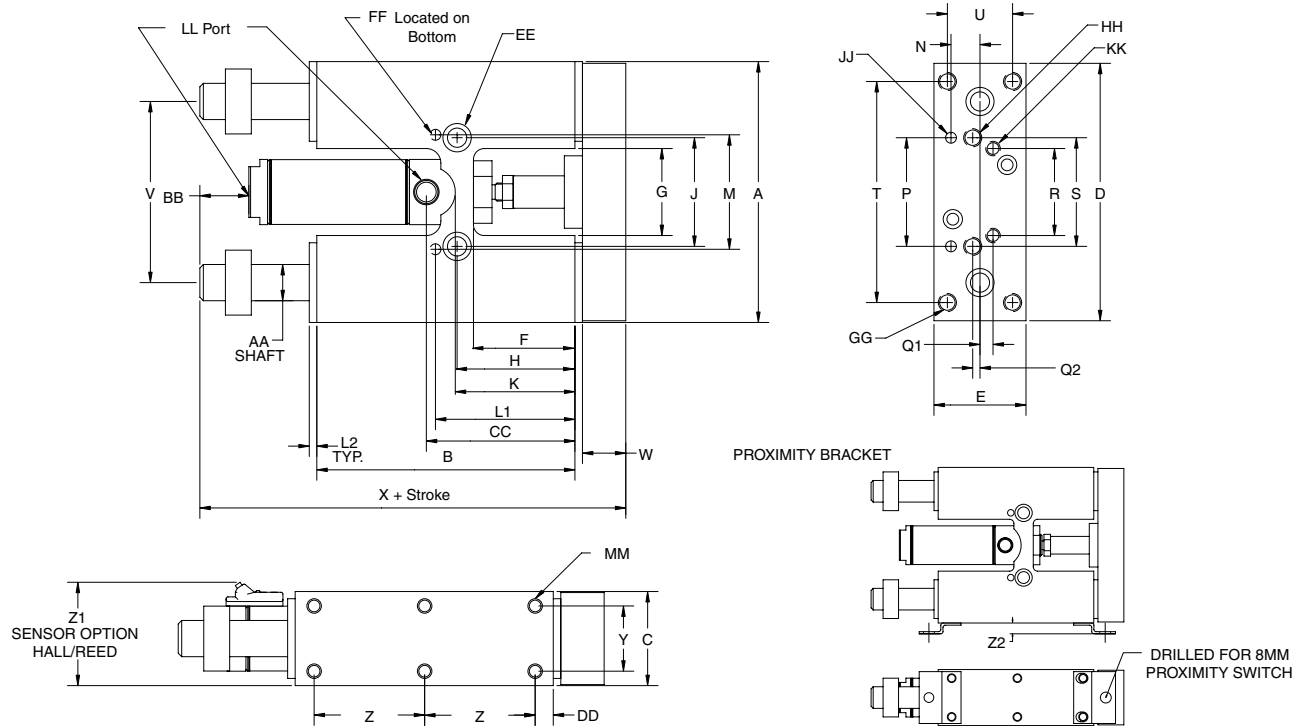
Switch Description	Standard Part No.	Quick Disconnect Part Number
Hall Effect - PNP (Sourcing)	P494A0022300A00	P494A0022600A00
Hall Effect - NPN (Sinking)	P494A0022400A00	P494A0022700A00
Reed Switch	P494A0021300A00	P494A0021600A00
90° 5 meter cable	-	PXC 90
Straight 5 meter cable	-	PXC ST

*Bands and tracks required for mounting.

Mounting Kits and Shocks

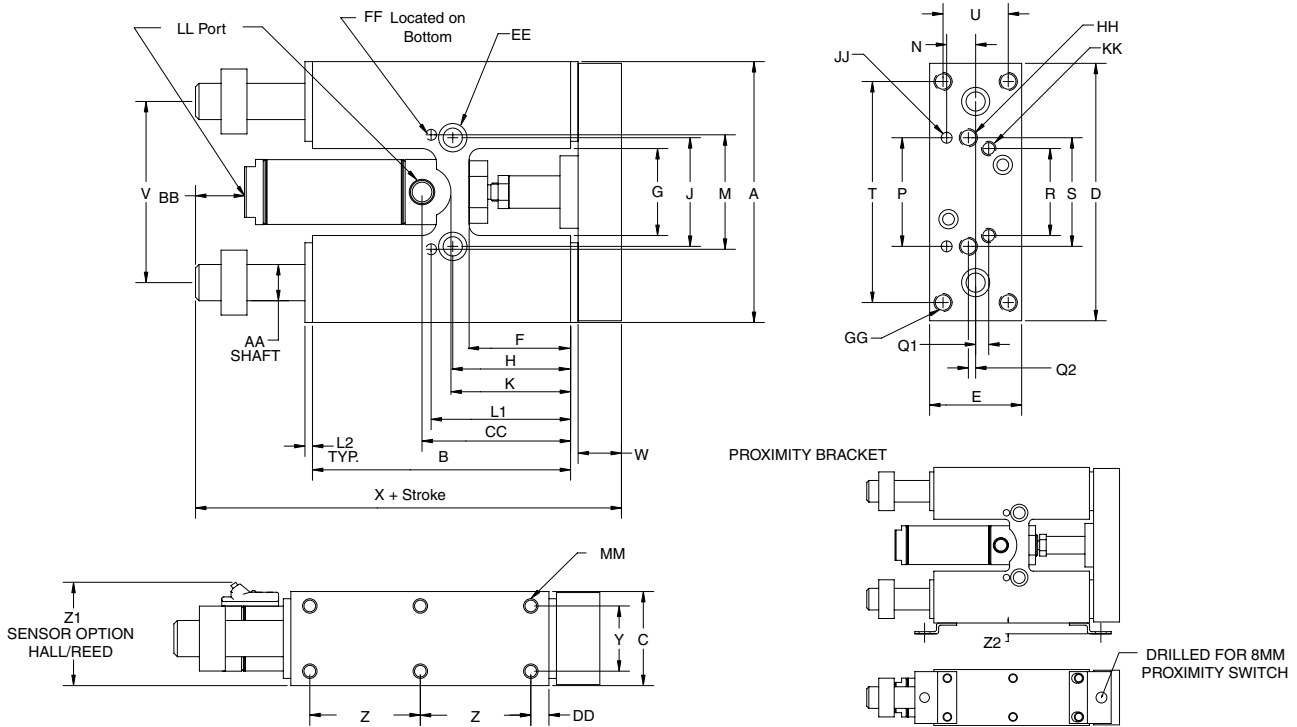
Series Slide	Base Mount	Angle Mount	Shock Absorber
SH031	MB031	AB031	-
SH056	MB056	AB056	-
SH075	MB075	AB075	SK075
SH106	MB106	AB106	SK106
SH150	MB150	AB150	SK150
SH200	MB200	AB200	SK200
SH250	-	AB250	SK250
SH300	-	-	SK300

SH031, SH056, SH075, SH106 Slides



	SH031	SH056	SH075	SH106
A	2.00	2.87	4.12	4.50
B	2.00	3.00	3.97	4.45
C	0.62	1.00	1.25	1.62
D	1.95	2.81	4.06	4.44
E	0.58	0.95	1.19	1.58
F	0.75	1.00	1.31	1.75
G	0.75	1.00	1.25	1.50
H	0.90	1.25	1.59	2.03
J	1.00	1.25	1.50	1.87
K	1.06	1.50	1.66	2.31
L1	1.12	1.56	1.96	2.40
L2	0.06	0.12	0.12	0.12
M	0.999/1.001	1.373/1.375	1.881/1.813	1.873/1.875
N	0.21	0.31	0.37	0.50
P	0.999/1.001	1.373/1.375	1.881/1.813	1.873/1.875
Q1	-	0.18	0.31	0.22
Q2	Center Line	Center Line	Center Line	0.12
R	-	1.00	1.25	1.50
S	1.00	1.25	1.50	1.87
T	-	2.37	3.37	3.81
U	-	0.62	0.81	1.12
V	1.56	2.00	2.75	3.12
W	0.31	0.50	0.62	0.75
X	3.06	4.44	5.68	6.31
Y	0.43	0.62	0.81	1.12
Z	0.50	1.18	1.68	1.90
Z1	N/A	1.32	1.53	1.88
Z2	N/A	.312	.312	.312

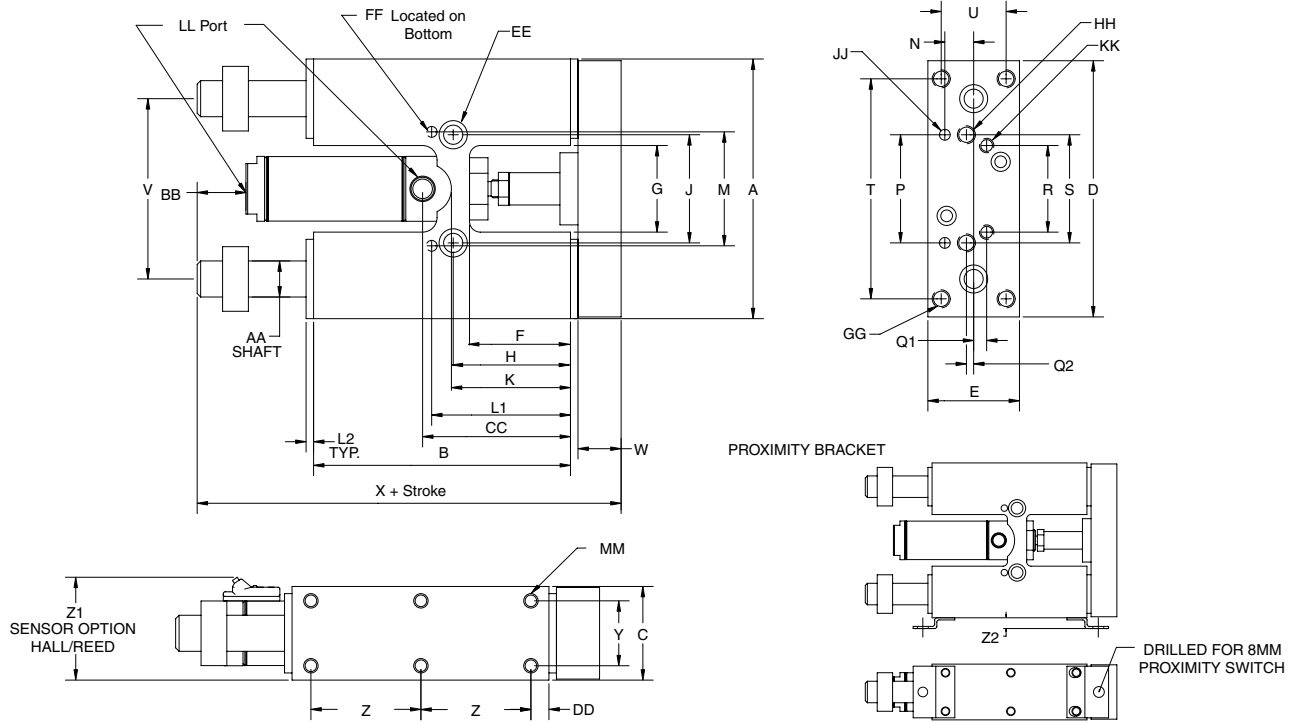
SH031, SH056, SH075, SH106 Slides



	SH031	SH056	SH075	SH106
AA	0.250 Nom.	0.375 Nom.	0.500 Nom.	0.625 Nom.
BB	0.31	0.50	0.62	0.81
CC	1.06	1.68	2.03	2.50
DD	0.50	0.31	0.31	0.31
EE	C'Bored for #6 SHCS, Tapped # 10-32 x .28 DP From Opposite side	C'Bored for #10 SHCS, Tapped 1/4-28 x .50 DP From Opposite side	C'Bored for 1/4 SHCS, Tapped 5/16-24 x .62 DP From Opposite side	C'Bored for 5/16 SHCS, Tapped 3/8-24 x .75 DP From Opposite side
FF	0.0937/0.0947 x 0.18DP	0.125/0.126 x 0.25DP	0.1875/0.1885 x .37DP	0.1875/0.1885 x .37DP
GG	N/A	#10-32 thru, C'Bored for #6 SHCS From Opposite Side	1/4-20 thru, C'Bored for #10 SHCS From Opposite Side	5/16-18 thru, C'Bored for 1/4 SHCS From Opposite Side
HH	#6-32 thru	#10-32 thru, C'Bored For #6 SHCS From Opposite Side	1/4-20 thru, C'Bored For #10 SHCS From Opposite Side	5/16-18 thru, C'Bored For 1/4 SHCS From Opposite Side
JJ	0.0937/0.0947 x 0.18DP	0.125/0.126 x 0.25DP	0.1875/0.1885 x .37DP	0.1875/0.1885 x .37DP
KK	-	#6-32 x .25DP	#10-32 x .37DP	1/4-20 x .50DP
LL	#10-32	#10-32	1/8 NPTF	1/8 NPTF
MM	#5-40 x .18 DP*	#6-32 x .20 DP	#10-32 x .28 DP	1/4-20 x .37 DP

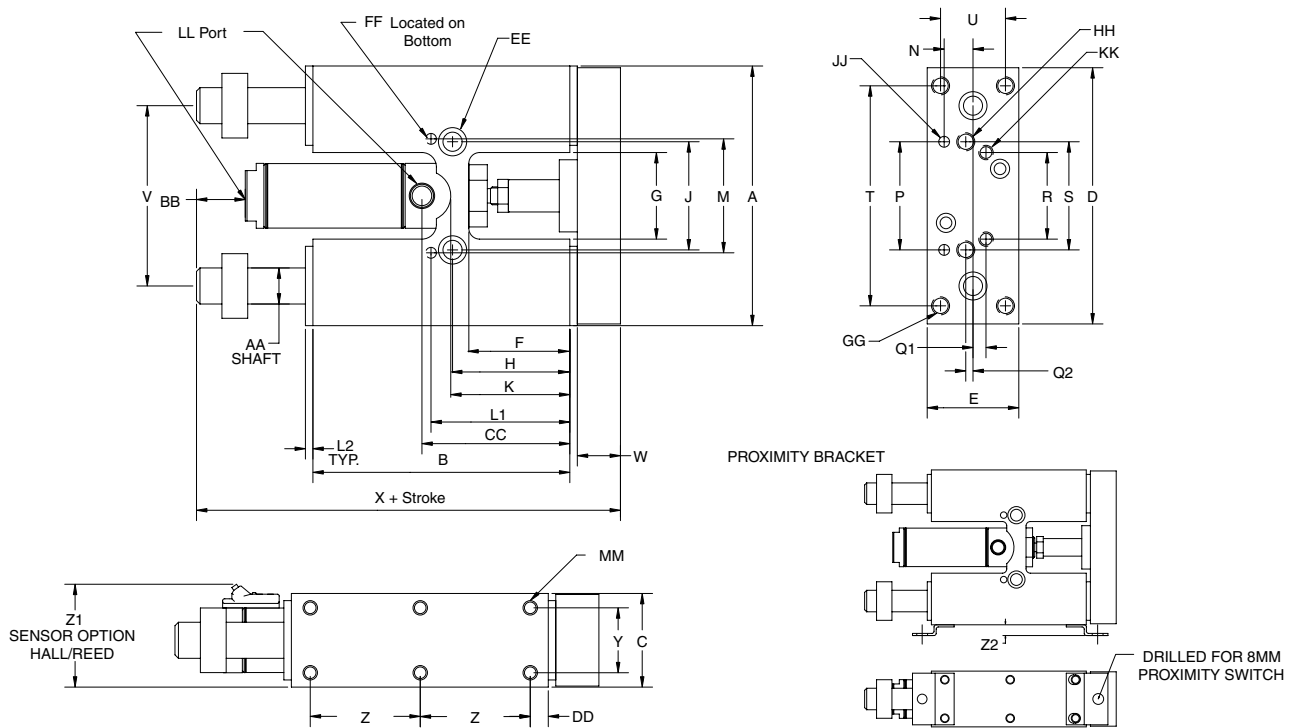
*SH031 has four holes per side.

SH150, SH200, SH250 Slides



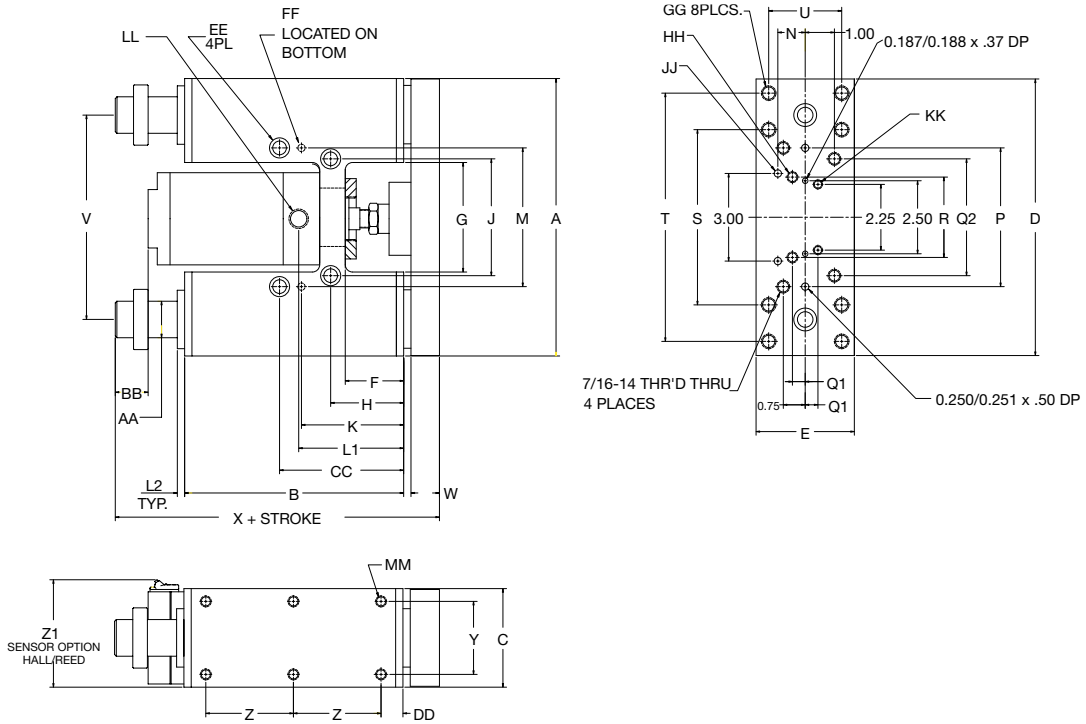
	SH150	SH200	SH250
A	5.25	6.50	6.50
B	4.95	6.50	6.50
C	2.00	2.50	2.87
D	5.18	6.44	6.44
E	1.93	2.44	2.44
F	1.93	2.50	2.50
G	2.00	2.50	2.50
H	2.25	2.87	2.81
J	2.25	2.75	2.75
K	2.68	3.37	3.37
L1	2.68	3.37	3.31
L2	0.18	0.25	0.25
M	2.499/2.501	2.99/3.001	2.999/3.001
N	0.56	0.62	0.62
P	2.499/2.501	2.999/3.001	2.999/3.001
Q1	0.31	0.37	0.37
Q2	0.12	0.12	0.12
R	1.87	2.25	2.25
S	2.25	2.75	2.75
T	4.25	5.25	5.25
U	1.43	1.87	1.87
V	3.75	4.56	4.56
W	0.81	0.87	0.87
X	7.16	8.75	8.75
Y	1.43	1.87	1.87
Z	2.12	2.62	2.62
Z1	2.25	2.75	3.21
Z2	0.312	.312	.312

SH150, SH200, SH250 Slides



	SH150	SH200	SH250
AA	0.750 Nom.	1.000 Nom.	1.000 Nom.
BB	0.87	1.00	1.00
CC	3.00	3.71	3.71
DD	0.37	0.62	0.62
EE	C'Bored for 5/16 SHCS, Tapped 3/8-24 x 0.75 DP From Opposite side	C'Bored for 3/8 SHCS, Tapped 7/16-20 x 0.875 DP From Opposite side	C'Bored for 3/8 SHCS, Tapped 7/16-20 x 0.875 DP From Opposite side
FF	0.1875/0.1885 x 0.37DP	0.250/0.251 x 0.50DP	0.250/0.251 x 0.50DP
GG	5/16-18 thru, C'Bored for 1/4 SHCS From Opposite Side	3/8-24 thru, C'Bored for 5/16 SHCS From Opposite Side	3/8-24 thru, C'Bored for 5/16 SHCS From Opposite Side
HH	5/16-18 thru, C'Bored For 1/4 SHCS From Opposite Side	3/8-24 thru, C'Bored For 5/16 SHCS From Opposite Side	3/8-24 thru, C'Bored For 5/16 SHCS From Opposite Side
JJ	0.1875/0.1885 x 0.37DP	0.250/0.251 x 0.50DP	0.250/0.251 x 0.50DP
KK	5/16-18 x 0.62DP	5/16-18 x 0.62DP	5/16-18 x 0.62DP
LL	1/8 NPTF	1/4 NPTF	1/4 NPTF
MM	1/4-20 x 0.37 DP	5/16-18 x 0.50 DP	5/16-18 x 0.50 DP

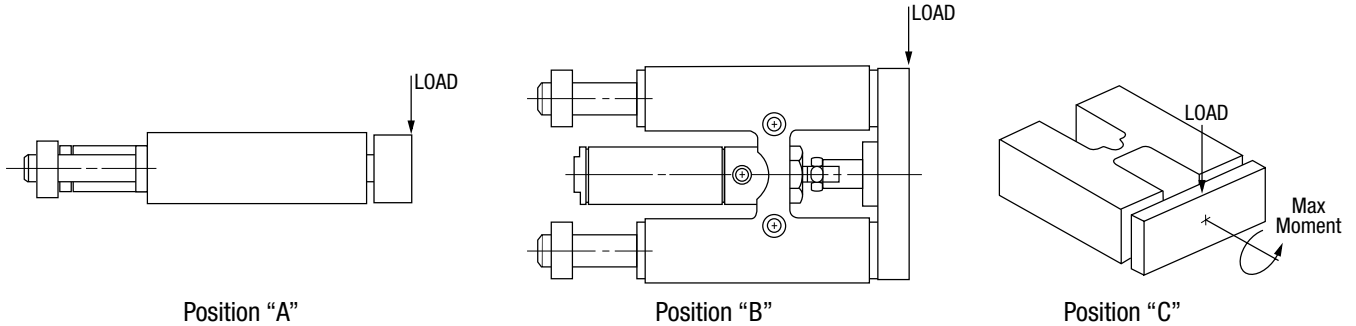
SH300 Slides



	SH300
A	9.50
B	7.50
C	3.37
D	9.44
E	3.31
F	2.00
G	3.75
H	2.50
J	4.00
K	3.50
L1	3.59
L2	0.25
M	4.749 / 4.751
N	0.94
P	4.749 / 4.751
Q1	0.43
Q2	4.00
R	2.75
S	6.00
T	8.50
U	2.50
V	7.00
W	0.97
X	10.10
Y	2.50
Z	3.00
Z1	3.73
Z2	0.312

	SH300
AA	1.250 Nom.
BB	1.12
CC	4.25
DD	0.75
EE	C'Bored for 7/16 SHCS, Tapped 1/2-20 x 0.75 DP From opposite side
FF	0.250 / 0.251 x 0.50DP
GG	1/2-13 thru, C'Bored for 3/8-16 SHCS From opposite side.
HH	1/2-13 thru, C'Bored for 3/8-16 SHCS From opposite side.
JJ	0.250 / 0.251 x 0.50DP
KK	5/16-18 x 0.50DP
LL	3/8 NPTF
MM	3/8-16 x 0.57 DP

Maximum Dynamic Load and Deflection Ratings
Positions A, B & C Linear Bearing Option



SH056					SH075				SH106			
Stroke Inches	Max. Load A&B (lbs.)	Deflection A (Inches)	Deflection B (Inches)	Max. Load C (Inlb.)	Max. Load A&B (lbs.)	Deflection A (Inches)	Deflection B (Inches)	Max. Load C (Inlb.)	Max. Load A&B (lbs.)	Deflection A (Inches)	Deflection B (Inches)	Max. Load C (Inlb.)
1	30.9	0.001	0.001	30.9	55.0	0.001	0.001	55.0	97.0	0.001	0.001	97.0
2	24.8	0.002	0.001	24.8	45.8	0.001	0.001	45.8	82.0	0.002	0.002	82.0
3	20.1	0.004	0.003	20.1	39.2	0.003	0.002	39.2	71.1	0.004	0.003	71.1
4	15.4	0.007	0.005	15.4	34.3	0.005	0.004	34.3	62.7	0.006	0.005	62.7
5	9.4	0.008	0.006	9.4	30.5	0.008	0.006	30.5	54.1	0.009	0.007	54.1
6	8.2	0.011	0.009	8.2	27.5	0.012	0.010	27.5	48.8	0.013	0.010	48.8
7	7.2	0.016	0.012	7.2	24.3	0.017	0.013	24.3	41.3	0.019	0.015	41.3
8	6.5	0.021	0.016	6.5	21.2	0.021	0.017	21.2	36.8	0.022	0.018	36.8
9	5.7	0.026	0.021	5.7	19.8	0.028	0.022	19.8	30.6	0.023	0.019	30.6
10	5.0	0.031	0.024	5.0	18.2	0.035	0.028	18.2	25.9	0.026	0.020	25.9
11	4.1	0.032	0.026	4.1	16.8	0.043	0.034	16.8	22.1	0.029	0.023	22.1
12	3.1	0.032	0.025	3.1	14.1	0.046	0.037	14.1	20.0	0.033	0.026	20.0

SH150					SH200/SH250				SH300			
Stroke Inches	Max. Load A&B (lbs.)	Deflection A (Inches)	Deflection B (Inches)	Max. Load C (Inlb.)	Max. Load A&B (lbs.)	Deflection A (Inches)	Deflection B (Inches)	Max. Load C (Inlb.)	Max. Load A&B (lbs.)	Deflection A (Inches)	Deflection B (Inches)	Max. Load C (Inlb.)
1	136.4	0.001	0.001	136.4	232.7	0.001	0.001	232.7	339.0	0.001	0.001	339.0
2	116.7	0.001	0.001	116.7	200.0	0.001	0.001	200.0	297.6	0.001	0.001	297.6
3	95.8	0.003	0.002	95.8	176.2	0.002	0.002	176.2	265.7	0.002	0.001	265.7
4	86.2	0.004	0.003	86.2	153.6	0.003	0.003	153.6	235.6	0.003	0.002	235.6
5	75.4	0.007	0.005	75.4	136.6	0.004	0.004	136.6	210.8	0.004	0.003	210.8
6	65.0	0.009	0.007	65.0	110.3	0.005	0.004	110.3	190.0	0.005	0.003	190.0
7	59.3	0.012	0.010	59.3	97.3	0.006	0.005	97.3	170.0	0.006	0.004	170.0
8	53.3	0.015	0.012	53.3	86.0	0.008	0.007	86.0	154.0	0.008	0.005	154.0
9	47.3	0.018	0.015	47.3	76.1	0.010	0.008	76.1	137.8	0.009	0.006	137.8
10	40.1	0.021	0.017	40.1	68.2	0.011	0.009	68.2	123.7	0.010	0.007	123.7
11	35.7	0.023	0.019	35.7	57.5	0.012	0.010	57.5	109.9	0.012	0.008	109.9
12	29.1	0.024	0.020	29.1	48.7	0.013	0.011	48.7	96.9	0.012	0.009	96.9
13	25.0	0.026	0.021	25.0	40.7	0.014	0.012	40.7	82.8	0.013	0.010	82.8
14	22.1	0.028	0.022	22.1	30.8	0.013	0.011	30.8	72.4	0.014	0.011	72.4
15	19.5	0.030	0.024	19.5	22.1	0.011	0.009	22.1	62.9	0.015	0.013	62.9
16	16.6	0.030	0.024	16.6	17.6	0.011	0.009	17.6	54.2	0.015	0.013	54.2
17	14.0	0.030	0.024	14.0	15.0	0.009	0.007	15.0	46.3	0.015	0.013	46.3
18	10.1	0.026	0.021	10.1	12.0	0.007	0.006	12.0	39.1	0.015	0.013	39.1

* SH031 Series not offered in Linear Ball Bearing Option.
Maximum load and deflection ratings, 100% at tool plate mounting face

Maximum Dynamic Load and Deflection Ratings
Positions A, B & C Bronze Bearing and PTFE Bearing Options

SH031 *					SH056			
Stroke Inches	Max. Load A&B (lbs.)	Deflection A (Inches)	Deflection B (Inches)	Max. Load C (Inlb.)	Max. Load A&B (lbs.)	Deflection A (Inches)	Deflection B (Inches)	Max. Load C (Inlb.)
0.5	5.0	0.001	0.001	5.0	N/A	N/A	N/A	N/A
1	4.5	0.001	0.001	4.5	20.1	0.001	0.001	20.1
1.5	4.0	0.001	0.001	4.0	N/A	N/A	N/A	N/A
2	3.5	0.001	0.001	3.5	16.1	0.001	0.001	16.1
3	2.7	0.002	0.002	2.7	13.0	0.003	0.002	13.0
4	1.9	0.004	0.003	1.9	10.1	0.004	0.003	10.1
5	1.1	0.004	0.003	1.1	6.2	0.005	0.004	6.2
6	0.5	0.004	0.003	0.5	5.3	0.007	0.006	5.3
7	N/A	N/A	N/A	N/A	4.6	0.010	0.008	4.6
8	N/A	N/A	N/A	N/A	4.2	0.013	0.011	4.2
9	N/A	N/A	N/A	N/A	3.7	0.017	0.013	3.7
10	N/A	N/A	N/A	N/A	3.2	0.020	0.016	3.2
11	N/A	N/A	N/A	N/A	2.6	0.021	0.017	2.6
12	N/A	N/A	N/A	N/A	1.9	0.020	0.016	1.9

SH075				SH106				
Max. Load A&B (lbs.)	Deflection A (Inches)	Deflection B (Inches)	Max. Load C (Inlb.)	Stroke Inches	Max. Load A&B (lbs.)	Deflection A (Inches)	Deflection B (Inches)	Max. Load C (Inlb.)
N/A	N/A	N/A	N/A	1	48.5	0.001	0.001	48.5
35.7	0.001	0.001	35.7	2	41.1	0.001	0.001	41.0
N/A	N/A	N/A	N/A	3	35.5	0.002	0.002	35.5
29.8	0.001	0.001	29.8	4	31.3	0.003	0.002	31.3
25.4	0.002	0.001	25.4	5	27.0	0.005	0.003	27.0
22.3	0.003	0.003	22.3	6	24.4	0.006	0.005	24.4
19.8	0.005	0.004	19.8	7	20.6	0.008	0.006	20.6
17.8	0.008	0.006	17.8	8	18.4	0.010	0.008	18.4
15.7	0.011	0.009	15.7	9	15.3	0.012	0.009	15.3
13.7	0.014	0.011	13.7	10	12.9	0.013	0.010	12.9
12.8	0.018	0.014	12.8	11	11.0	0.014	0.011	11.0
11.8	0.023	0.018	11.8	12	10.1	0.016	0.013	10.1
10.9	0.028	0.022	10.9	13	N/A	N/A	N/A	N/A
9.1	0.030	0.024	9.1	14	N/A	N/A	N/A	N/A
				15	N/A	N/A	N/A	N/A
				16	N/A	N/A	N/A	N/A
				17	N/A	N/A	N/A	N/A
				18	N/A	N/A	N/A	N/A

* SH031 Series not offered in Linear Ball Bearing Option.
 Maximum load and deflection ratings, 100% at tool plate mounting face

Maximum Dynamic Load and Deflection Ratings
Positions A, B & C Bronze Bearing and PTFE Bearing Options

SH150				SH200/SH250			
Max. Load A&B (lbs.)	Deflection A (Inches)	Deflection B (Inches)	Max. Load C (Inlb.)	Max. Load A&B (lbs.)	Deflection A (Inches)	Deflection B (Inches)	Max. Load C (Inlb.)
68.2	0.001	0.001	68.2	116.3	0.001	0.001	116.3
58.3	0.001	0.001	58.3	100.0	0.001	0.001	100.0
51.0	0.001	0.001	51.0	88.1	0.001	0.001	88.1
43.1	0.002	0.002	43.1	76.8	0.001	0.001	76.8
37.7	0.003	0.003	37.7	68.3	0.002	0.002	68.3
32.5	0.004	0.004	32.5	55.1	0.003	0.003	55.1
29.6	0.006	0.005	29.6	48.6	0.003	0.003	48.6
26.6	0.008	0.006	26.6	43.0	0.004	0.003	43.0
23.6	0.009	0.007	23.6	38.0	0.005	0.004	38.0
20.0	0.010	0.008	20.0	34.1	0.006	0.005	34.1
17.8	0.012	0.009	17.8	28.7	0.006	0.005	28.7
14.5	0.012	0.010	14.5	24.3	0.007	0.006	24.3
12.5	0.013	0.010	12.5	20.3	0.007	0.006	20.3
11.0	0.014	0.011	11.0	15.4	0.007	0.006	15.4
9.7	0.015	0.012	9.7	11.0	0.006	0.005	11.0
8.3	0.015	0.012	8.3	8.8	0.005	0.004	8.8
7.0	0.015	0.012	7.0	7.5	0.004	0.003	7.5
5.0	0.013	0.011	5.0	6.0	0.004	0.003	6.0

SH300				
Stroke Inches	Max. Load A&B (lbs.)	Deflection A (Inches)	Deflection B (Inches)	Max. Load C (Inlb.)
1	170.5	0.001	0.001	170.5
2	149.8	0.001	0.001	149.8
3	132.5	0.001	0.001	132.5
4	117.5	0.001	0.001	117.5
5	105.0	0.002	0.001	105.0
6	95.4	0.002	0.002	95.4
7	85.2	0.003	0.002	85.2
8	77.7	0.004	0.003	77.7
9	69.0	0.005	0.004	69.0
10	62.3	0.005	0.004	62.3
11	55.1	0.006	0.005	55.1
12	48.0	0.006	0.005	48.0
13	41.7	0.007	0.006	41.7
14	36.0	0.007	0.006	36.0
15	31.5	0.008	0.007	31.5
16	27.9	0.008	0.007	27.9
17	23.0	0.009	0.008	23.0
18	19.5	0.009	0.008	19.5

Maximum load and deflection ratings, 100% at tool plate mounting face

Unit Weight Table

	SH031	SH056	SH075	SH106	SH150	SH200	SH250	SH300
Base Unit Weight (lbs.)	0.35	1.07	2.46	4.04	6.36	12.94	13.84	30.12
Adder/Inch of stroke (lbs.)	0.03	0.08	0.15	0.22	0.34	0.60	0.90	1.75

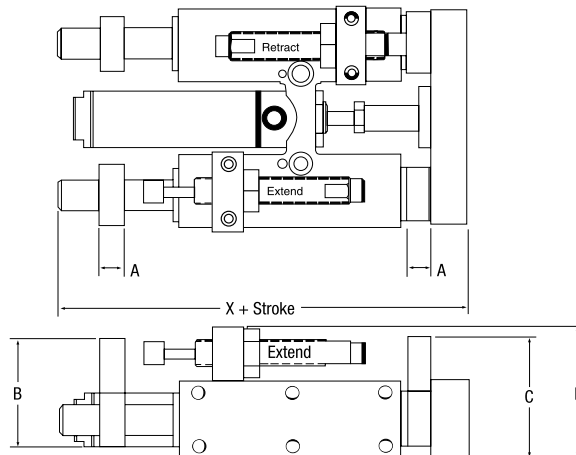
Add base weight to inch adder X stroke. Sample weight calculation: Model SH075 W/6" stroke, 2.46 + (0.15 x 6) = 3.360 lbs.

Unit Output Force Table

	SH031	SH056	SH075	SH106	SH150	SH200	SH250	SH300
Extend Force (lbs.)	0.07	0.24	0.44	0.88	1.76	3.14	4.90	7.00
Retract Force (lbs.)	0.06	0.22	0.39	0.81	1.61	2.83	4.60	6.62

Multiply force factor X input pressure in PSI. Sample output force calculation: Model SH150 extend force@ 70PSI, 1.76 x 70 = 123.2 lbs.

Shock Option

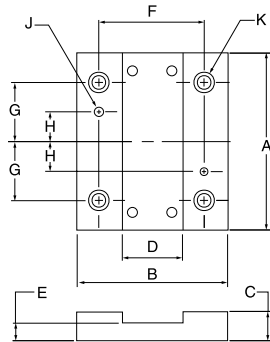


Dimensions

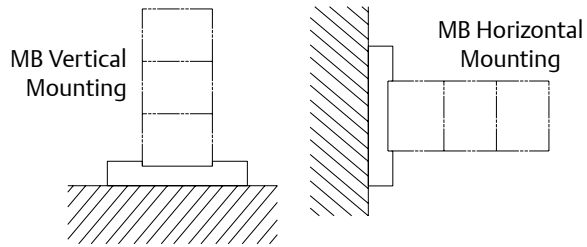
Dimension	SH075	SH106	SH150	SH200	SH250	SH300
A	0.44	0.50	0.50	0.50	0.50	0.50
B	2.00	2.25	2.75	3.25	3.52	5.50
C	2.13	2.50	3.13	3.75	3.93	5.75
D	2.38	2.75	3.25	3.88	4.25	5.87
X	6.68	7.31	8.13	9.75	9.75	10.10

* Shock Option available on SH075 series and larger.

MB Series Base Mounting

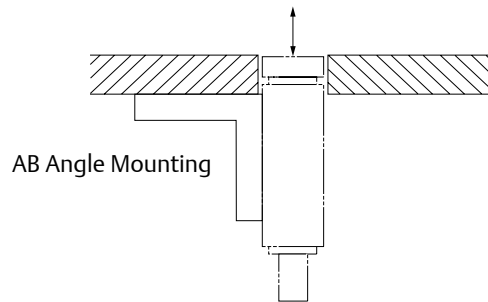
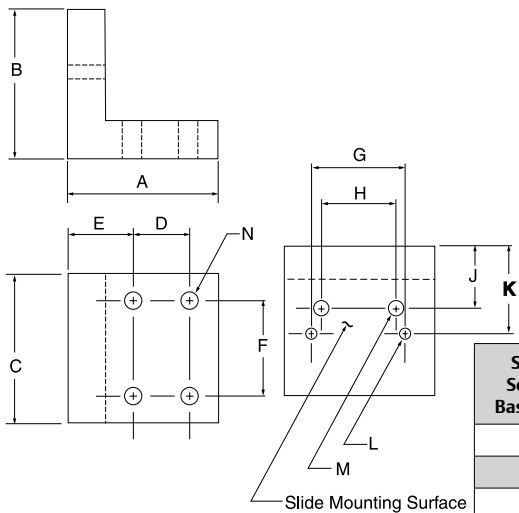


Base Mount Not Available for SH250 & SH300



Slide Series Base P/N	SH031 MB031	SH056 MB056	SH075 MB075	SH106 MB106	SH150 MB150	SH200 MB200
A	2.00	3.00	4.00	4.50	5.00	6.50
B	1.62	2.50	3.0	3.50	4.00	5.00
C	0.34	0.47	0.59	0.070	0.70	0.99
D	0.626/0.628	1.001/1.003	1.251/1.253	1.626/1.628	2.001/2.003	2.501/2.503
E	0.26	0.34	0.50	0.56	0.56	0.68
F	1.12	1.75	2.00	2.50	3.00	3.75
G	0.75	1.00	1.50	1.75	2.00	2.50
H	0.37	0.50	0.75	1.12	1.25	1.50
J	0.125/0.126	0.156/0.0157	0.156/0.157	0.188/0.189	0.188/0.189	0.250/0.251
K	Clearance for #8 SHCS	Clearance for #10 SHCS	Clearance for 1/4 SHCS	Clearance for 5/16 SHCS	Clearance for 5/16 SHCS	Clearance for 3/8 SHCS

AB Series Angle Mounting – Not Available on SH300

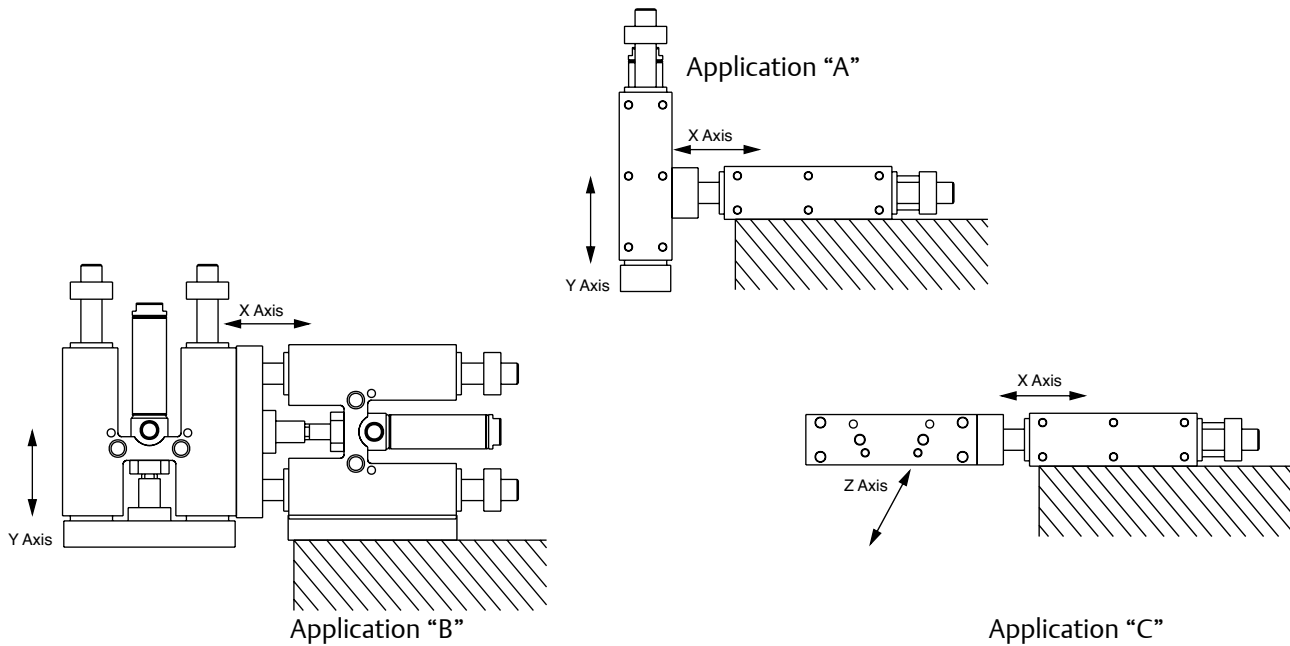


Slide Series Base P/N	SH031 AB031	SH056 AB056	SH075 AB075	SH106 AB106	SH150 AB150	SH200/SH250 AB200
A	1.25	2.00	2.50	3.00	3.50	4.00
B	1.25	2.00	2.50	3.00	3.50	4.00
C	1.75	2.25	2.75	3.25	4.00	5.00
D	0.50	0.87	1.00	1.25	1.50	2.00
E	0.50	0.62	0.75	1.12	1.25	1.37
F	1.25	1.25	1.75	2.25	3.00	4.00
G	1.00	1.37	1.81	1.87	2.50	3.00
H	1.00	1.25	1.50	1.87	2.25	2.75
J	0.75	1.00	1.31	1.78	2.00	2.37
K	0.97	1.31	1.68	2.15	2.43	2.87
L	0.94	0.125	0.187	0.187	0.187	0.250
M	For #10-32 SHCS	For 1/4-28 SHCS	For 5/16-24 SHCS	For 3/8-24 SHCS	For 3/8-24 SHCS	For 7/16-20 SHCS
N	For #10 SHCS	For 1/4 SHCS	For 5/16 SHCS	For 3/8 SHCS	For 3/8 SHCS	For 7/16 SHCS



NuMate™ Direct Mount, Mounting System

The NuMate™ mounting system provides a standard series of drilled, tapped and counterbored holes allowing each slide series to mount with each other and other slide series in various combinations without the use of adapters, transition plates or other costly methods. The NuMate™ mounting system also utilizes dowel hole locations for precision mountings. The NuMate™ mounting system is the most versatile mounting method of its kind, providing customers with a cost effective method for building modular component automation. The NuMate™ mounting system is consistent across the **Aventics** spectrum of products for automation.



	Application A	Application B	Application C
X-Axis Slide	Mating Y Axis Slide	Mating Y Axis Slide	Mating Z Axis Slide
SH031	SH031	-	-
SH056	SH031 SH056	SH056	SH056
SH075	SH056 SH075	SH075	SH075
SH106	SH075 SH106	SH106	SH106
SH150	SH106 SH150	SH150	SH150
SH200	SH150 SH200	SH200	SH200
SH250	SH150 SH200 SH250	SH200 SH250	SH200 SH250
SH300	SH150 SH200 SH250 SH300	SH300	SH300

How to Order

3 Position Linear Slide

MH C 02 01 A 1 1 6 D S 4

Bore Size

- C = 3/4 Inch
- F = 1-1/16 Inches
- K = 1-1/2 Inches
- L = 2 Inches

Front Cylinder (Total Stroke)

01 - 18 Inches
(Standard max stroke lengths vary by bore size, see SH Series load rating information.)

Fractional Stroke for Front Cylinder

- * = 0 Inch
 - C = 1/4 Inch
 - E = 1/2 Inch
 - G = 3/4 Inch
- *Leave blank if fractional stroke = 0.

Back Cylinder (First Stroke)

01 - 18 Inches

Fractional Stroke for Back Cylinder

- A = 0 Inch
- C = 1/4 Inch
- E = 1/2 Inch
- G = 3/4 Inch

Bearing and Guide Shaft Type

- | | |
|---------------------|------------------------------|
| 1 = Linear Ball | Hardened Steel Shafts |
| 2 = Linear Ball | 440 C Stainless Steel Shafts |
| 3 = PTFE | Hardened Steel Shafts |
| 4 = PTFE | 440 C Stainless Steel Shafts |
| 5 = Sintered Bronze | Hardened Steel Shafts |
| 6 = Sintered Bronze | 440 C Stainless Steel Shafts |

Cylinder Type

- 1 = Buna-N Seals
- 2 = FKM Seals-No Magnet
- 3 = Buna w/Cushions Full Ext/Full Retract
- 4 = FKM with Magnet

Shock Absorber Option

- 1 = Extend
- 2 = Retract
- 3 = Extend/Retract
- 4 = No Shock Hardware

Hardware & Shocks

- A = Extend
- B = Retract
- C = Extend/Retract

Mounting Option

- S = Standard Mount
- B = Base Mount
- A = Angle Mount

Sensing Position

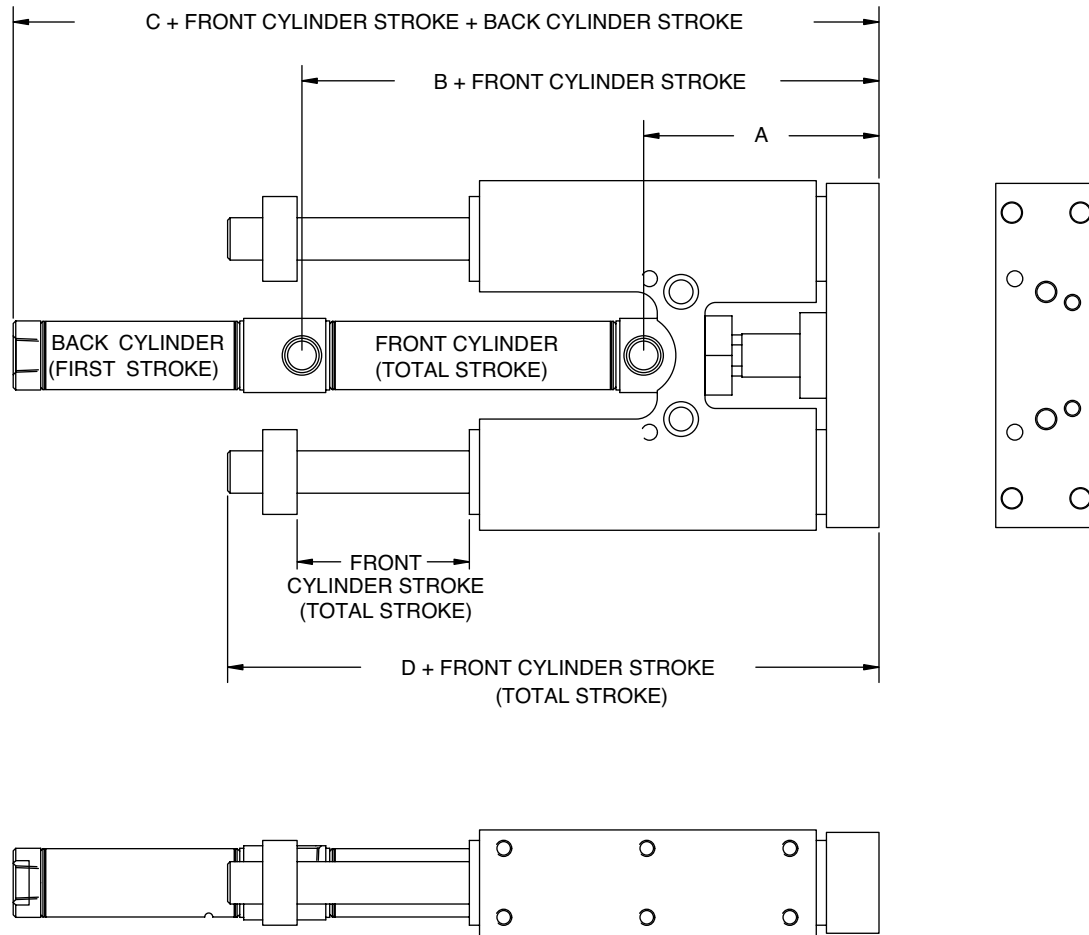
- A = Single Extend
- B = Single Retract
- C = Two position
- D = No Sensing
- E = 3 Position
- F = 4 Position
- G = 5 Position

Sensing Type

- Standard Cord Set
- 1 = Hall Effect PNP (Sourcing)
 - 2 = Hall Effect NPN (Sinking)
 - 3 = Reed Switch
 - 4 = Prox Switch on Cylinder - PNP (Sourcing)
 - 5 = Prox Switch on Cylinder - NPN (Sinking)
 - 6 = No Sensing
 - 7 = 8mm Threaded Barrel Prox Bracket (Prox Ready)*
- Quick Disconnect Cord Set
- Z = Hall Effect PNP (Sourcing)
 - Y = Hall Effect NPN (Sinking)
 - X = Reed Switch
 - W = Prox Switch - PNP (Sourcing) Straight
 - V = Prox Switch - NPN (Sinking) Straight
 - U = Prox Switch - PNP (Sourcing) 90°
 - T = Prox Switch - NPN (Sinking) 90°

* Bracket only - Bracket for full extend and full retract only, does not include switch
See Sensor section.

3 Position Linear Slide

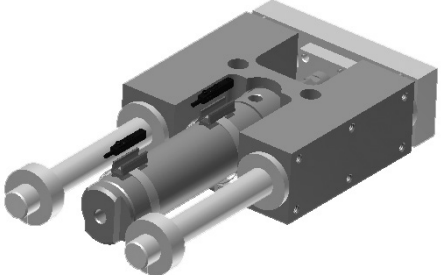


Dimensions: Inches

SH Series	A	B	C	D
SH075	2.78	4.81	7.21	5.68
SH106	3.44	5.47	8.04	6.35
SH150	3.86	5.99	8.80	7.16
SH200	4.85	7.57	11.05	8.75

SH Series Slide

Bore	Bracket P/N
SH056	P494AK129600A00
SH075	P494AL129600A00
SH106	P494A3129600A00
SH150	P4995051700N001
SH200	P494A4129600A00
SH250	P4995051710N001
SH300	P4995051720N001

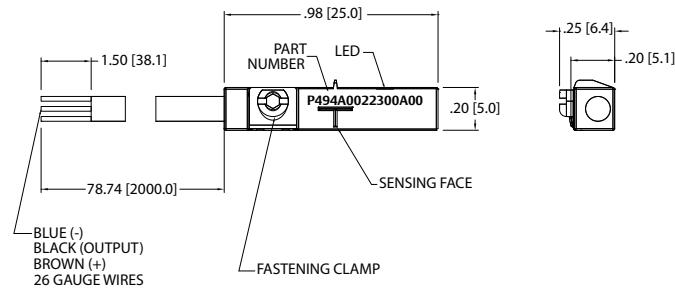


Sensor Description	Standard Cord Set	Quick Disconnect
Reed Switch	P494A0021300A00	P494A0021600A00
Hall PNP	P494A0022300A00	P494A0022600A00
Hall NPN	P494A0022400A00	P494A0022700A00

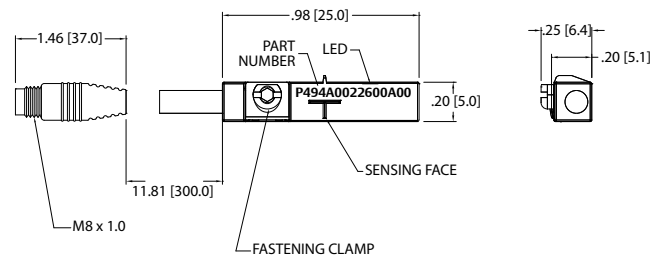
See page 18, 19, & 20 for sensor specifications

Sensing Part Numbers

P494A0022300A00



P494A0022600A00



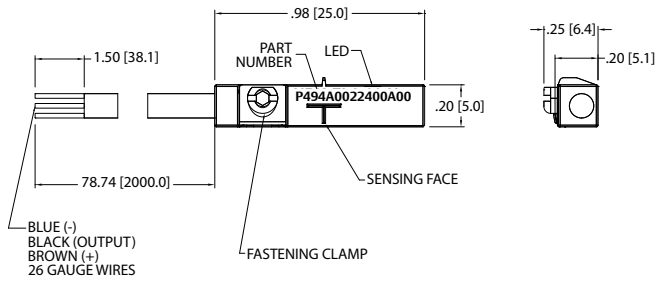
ELECTRICAL DESIGN	DC PNP
OUTPUT	Normally Open
OPERATING VOLTAGE	10-30 VDC
CURRENT RATING	100 mA
SHORT-CIRCUIT PROTECTION	Yes
OVERLOAD PROTECTION	Yes
REVERSE POLARITY PROTECTION	Yes
VOLTAGE DROP	< 2.5 V
CURRENT CONSUMPTION	< 12 mA
REPEATABILITY	< .2mm
POWER-ON DELAY TIME	< 30 ms
SWITCH FREQUENCY	> 3000 Hz
AMBIENT TEMPERATURE	-25°C to 85°C
PROTECTION	IP 67, III
HYSTERESIS	1.0mm
MAGNETIC SENSITIVITY	2.0 mT
TRAVEL SPEED	> 10 m/s
HOUSING MATERIAL	PA (Polyamide) Black; Fastening Clamp: Stainless Steel
FUNCTION DISPLAY SWITCHING STATUS	Yellow LED
CONNECTION	Flying Leads, Pur Cable (2m Long, 3 x26 Gauge Wire)
REMARKS	Clamping Screw with Combined Slot/Hexagon Socket Head AF 1.5 cULus - Class 2 Source Required
ACCESSORIES	Rubber Placeholder, Cable Clip, and Cut Sheet To Be Provided with Every Switch
AGENCY APPROVALS	CE cUL US RoHS

ELECTRICAL DESIGN	DC PNP
OUTPUT	Normally Open
OPERATING VOLTAGE	10-30 VDC
CURRENT RATING	100 mA
SHORT-CIRCUIT PROTECTION	Yes
OVERLOAD PROTECTION	Yes
REVERSE POLARITY PROTECTION	Yes
VOLTAGE DROP	< 2.5 V
CURRENT CONSUMPTION	< 12 mA
REPEATABILITY	< .2mm
POWER-ON DELAY TIME	< 30 ms
SWITCH FREQUENCY	> 3000 Hz
AMBIENT TEMPERATURE	-25°C to 85°C
PROTECTION	IP 67, III
HYSTERESIS	1.0mm
MAGNETIC SENSITIVITY	2.0 mT
TRAVEL SPEED	> 10 m/s
HOUSING MATERIAL	PA (Polyamide) Black; Fastening Clamp: Stainless Steel
FUNCTION DISPLAY SWITCHING STATUS	Yellow LED
CONNECTION	M8 Connector (Snap Fit) , Pur Cable (.3 m)
REMARKS	Clamping Screw with Combined Slot/Hexagon Socket Head AF 1.5 cULus - Class 2 Source Required
ACCESSORIES	Rubber Placeholder, Cable Clip, and Cut Sheet To Be Provided with Every Switch
AGENCY APPROVALS	CE cUL US RoHS

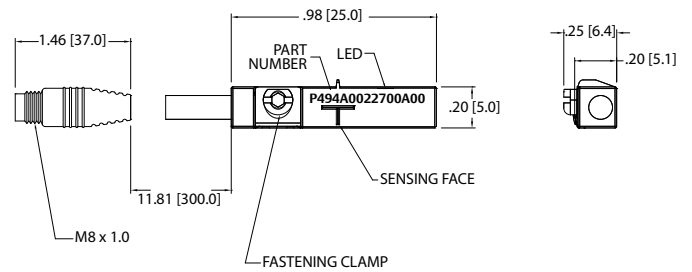
*Switches are not designed for wet environments. Please see your distributor for additional information.

Sensing Part Numbers

P494A0022400A00



P494A0022700A00



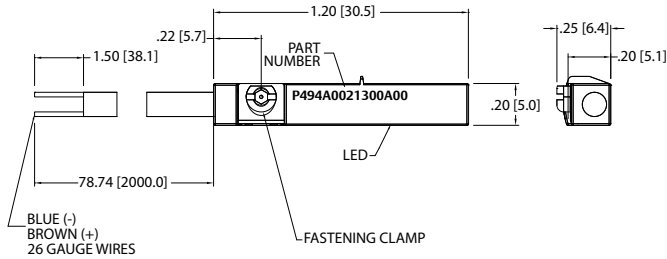
ELECTRICAL DESIGN	DC NPN
OUTPUT	Normally Open
OPERATING VOLTAGE	10-30 VDC
CURRENT RATING	100 mA
SHORT-CIRCUIT PROTECTION	Yes
OVERLOAD PROTECTION	Yes
REVERSE POLARITY PROTECTION	Yes
VOLTAGE DROP	< 2.5 V
CURRENT CONSUMPTION	< 12 mA
REPEATABILITY	< .2mm
POWER-ON DELAY TIME	< 30 ms
SWITCH FREQUENCY	> 3000 Hz
AMBIENT TEMPERATURE	-25°C to 85°C
PROTECTION	IP 67, III
HYSTERESIS	1.0mm
MAGNETIC SENSITIVITY	2.0 mT
TRAVEL SPEED	> 10 m/s
HOUSING MATERIAL	PA (Polyamide) Black; Fastening Clamp: Stainless Steel
FUNCTION DISPLAY SWITCHING STATUS	Yellow LED
CONNECTION	Flying Leads, Pur Cable (2m Long, 3 x26 Gauge Wire)
REMARKS	Clamping Screw with Combined Slot/Hexagon Socket Head AF 1.5 cULus - Class 2 Source Required
ACCESSORIES	Rubber Placeholder, Cable Clip, and Cut Sheet To Be Provided with Every Switch
AGENCY APPROVALS	

ELECTRICAL DESIGN	DC NPN
OUTPUT	Normally Open
OPERATING VOLTAGE	10-30 VDC
CURRENT RATING	100 mA
SHORT-CIRCUIT PROTECTION	Yes
OVERLOAD PROTECTION	Yes
REVERSE POLARITY PROTECTION	Yes
VOLTAGE DROP	< 2.5 V
CURRENT CONSUMPTION	< 12 mA
REPEATABILITY	< .2mm
POWER-ON DELAY TIME	< 30 ms
SWITCH FREQUENCY	> 3000 Hz
AMBIENT TEMPERATURE	-25°C to 85°C
PROTECTION	IP 67, III
HYSTERESIS	1.0mm
MAGNETIC SENSITIVITY	2.0 mT
TRAVEL SPEED	> 10 m/s
HOUSING MATERIAL	PA (Polyamide) Black; Fastening Clamp: Stainless Steel
FUNCTION DISPLAY SWITCHING STATUS	Yellow LED
CONNECTION	M8 Connector (Snap Fit) , Pur Cable (.3 m)
REMARKS	Clamping Screw with Combined Slot/Hexagon Socket Head AF 1.5 cULus - Class 2 Source Required
ACCESSORIES	Rubber Placeholder, Cable Clip, and Cut Sheet To Be Provided with Every Switch
AGENCY APPROVALS	

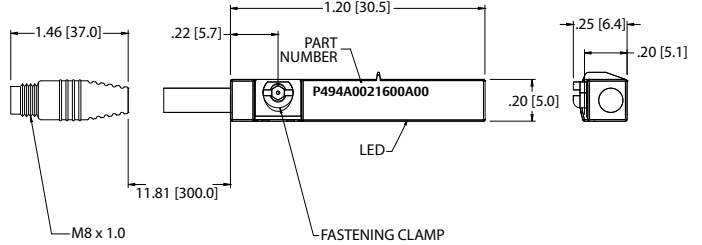
*Switches are not designed for wet environments. Please see your distributor for additional information.

Sensing Part Numbers

P494A0021300A00



P494A0021600A00

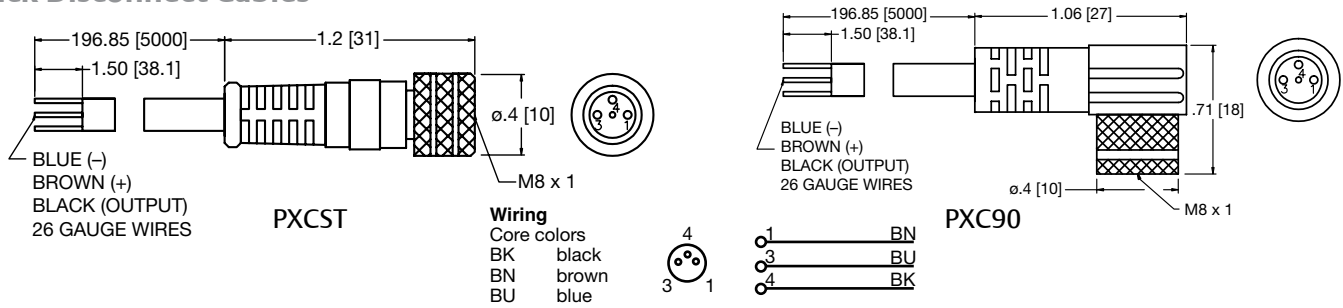


ELECTRICAL DESIGN	AC/DC REED
OUTPUT	Normally Open
OPERATING VOLTAGE	5-120 VAC/DC
CURRENT RATING	100 mA*
SHORT-CIRCUIT PROTECTION	No
OVERLOAD PROTECTION	No
REVERSE POLARITY PROTECTION	Yes
VOLTAGE DROP	< 5 V
REPEATABILITY	± .2mm
MAKETIME INCLUDING BOUNCE	< .6 ms
BREAKTIME	< .1 ms
SWITCHING POWER (MAX)	5 W
SWITCH FREQUENCY	1000 Hz
AMBIENT TEMPERATURE	-25°C to 70°C
PROTECTION	IP 67, II
HYSTERESIS	.9mm
HOUSING MATERIAL	PA (Polyamide) Black; Fastening Clamp: Stainless Steel
FUNCTION DISPLAY SWITCHING STATUS	Yellow LED
CONNECTION	Flying Leads, Pur Cable (2m Long, 2 x26 Gauge Wire)
REMARKS	*External Protective Circuit for Inductive Load (Valve, Contactor, Etc..) Necessary. Conforms to 2008 NEC Section 725 III, Class 2 Circuits Clamping Screw with Combined Slot/Hexagon Socket Head AF 1.5. No LED Function in case of Polarity in DC Operation
ACCESSORIES	Rubber Placehold, Cable Clip, and Cut Sheet To Be Provided with Every Switch
AGENCY APPROVALS	CE RoHS

ELECTRICAL DESIGN	AC/DC REED
OUTPUT	Normally Open
OPERATING VOLTAGE	*5-60 VDC / 5-50 VAC
CURRENT RATING	100 mA
SHORT-CIRCUIT PROTECTION	No
OVERLOAD PROTECTION	No
REVERSE POLARITY PROTECTION	Yes
VOLTAGE DROP	< 5 V
REPEATABILITY	± .2mm
MAKETIME INCLUDING BOUNCE	< .6 ms
BREAKTIME	< .1 ms
SWITCHING POWER (MAX)	5 W
SWITCH FREQUENCY	1000 Hz
AMBIENT TEMPERATURE	-25°C to 70°C
PROTECTION	IP 67, II
HYSTERESIS	.9mm
HOUSING MATERIAL	PA (Polyamide) Black; Fastening Clamp: Stainless Steel
FUNCTION DISPLAY SWITCHING STATUS	Yellow LED
CONNECTION	M8 Connector (Snap Fit), Pur Cable (.3m)
REMARKS	*External Protective Circuit for Inductive Load (Valve, Contactor, Etc..) Necessary. Conforms to 2008 NEC Section 725 III, Class 2 Circuits M8 Connector voltage limited to 5-60 vdc / 5-50 vac to conform with 2008 IEC 61076-2-104 Clamping Screw with Combined Slot/Hexagon Socket Head AF 1.5. No LED Function in case of Polarity in DC Operation
ACCESSORIES	Rubber Placehold, Cable Clip, and Cut Sheet To Be Provided with Every Switch
AGENCY APPROVALS	CE RoHS

*Switches are not designed for wet environments. Please see your distributor for additional information.

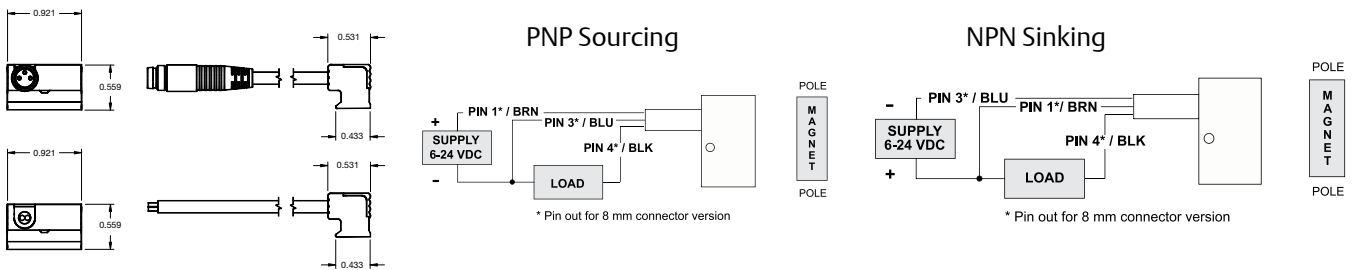
Quick Disconnect Cables



Order Code	Type	Operating Voltage	Current Rating	Cable Material	Protection	Connector
PXCST	Straight 5 m Cable (3 x 26 Gauge wire)	60 AC/75 DC	3 A	PUR	IP 68, III	M8
PXC90	90° 5 m Cable (3 x 26 Gauge wire)	60 AC/75 DC	3 A	PUR	IP 68, III	M8

SH World Switch Hall Effect Part Numbers

P/N	Switch Style	Electrical Design	Output	Operating Voltage	Current Rating	Switching Power	Voltage Drop	NEMA IP Rating	Temperature Rating
SH6-031	Flying Lead	DC PNP	Normally Open	6-24 VDC	0.3 Amps Max.	7.2 Watts Max.	.5 Volts	NEMA 6	-25° to +75° C
SH6-032	Flying Lead	DC PNP	Normally Open	6-24 VDC	0.3 Amps Max.	7.2 Watts Max.	.5 Volts	NEMA 6	-25° to +75° C
SH6-021	M8 Connector	DC NPN	Normally Open	6-24 VDC	0.3 Amps Max.	7.2 Watts Max.	.5 Volts	NEMA 6	-25° to +75° C
SH6-022	M8 Connector	DC NPN	Normally Open	6-24 VDC	0.3 Amps Max.	7.2 Watts Max.	.5 Volts	NEMA 6	-25° to +75° C



Efficient pneumatic solutions: cylinders and drives, valves and valve systems, air supply management



AVENTICS™

Visit us: [Emerson.com/AVENTICS](https://www.emerson.com/AVENTICS)
Your local contact: [Emerson.com/contactus](https://www.emerson.com/contactus)



Emerson.com



[Facebook.com/EmersonAutomationSolutions](https://www.facebook.com/EmersonAutomationSolutions)



[LinkedIn.com/company/Emerson-Automation-Solutions](https://www.linkedin.com/company/Emerson-Automation-Solutions)



[Twitter.com/EMR_Automation](https://twitter.com/EMR_Automation)

The Emerson logo is a trademark and service mark of Emerson Electric Co. Brand logotype are registered trademarks of one of the Emerson family of companies. All other marks are the property of their respective owners. © 2021 Emerson Electric Co. All rights reserved.
TR000323ENUS-01_06-21



CONSIDER IT SOLVED™