

Series SV05



AVENTICS™ Series SV05

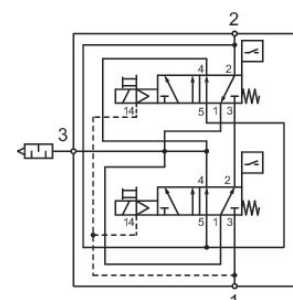
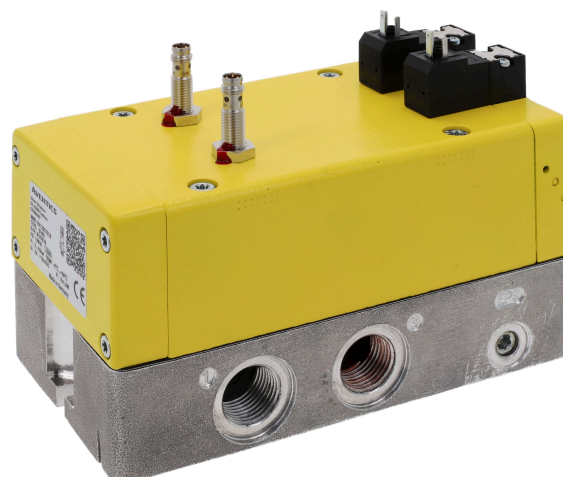


3/2 directional safety valve, Series SV05

R412027216

General series information
AVENTICS Series SV01/03/05 Safety valves

- The AVENTICS Series SV01/03/05 double valves are redundant 3/2 and 5/2 valves for external monitoring that are designed to meet the needs and requirements of safe air supply and exhaust 3/2 valves and safe cylinder return 5/2 valves applications for machinery with pneumatic controls according to the requirements of ISO 13849-1-2 for safety functions.
- According to ISO 13849-1, Cat. 4, PL e



Technical data

| | |
|----------------------------------|--|
| Industry | Industrial |
| Activation | Electrically |
| Switching principle | 3/2 |
| Compressed air connection output | G 1/2 |
| DC operating voltage | 24 V |
| Voltage tolerance DC | -10% / +10% |
| Actuating control | Single Solenoid |
| Sealing principle | soft seal |
| Standards | ISO 13849-1, category 4, performance level: e (possible) |
| Valve type | Double spool valve |
| Return | With spring return |

| | |
|------------------------------------|--------------------------------|
| Compressed air connection input | G 1/2 |
| Power consumption DC | 1.5 W |
| Working pressure min. internal | 3 bar |
| Working pressure max. internal | 10 bar |
| Working pressure min. external | 0 bar |
| Working pressure max. external | 10 bar |
| Control pressure min. | 3 bar |
| Control pressure max. | 10 bar |
| Min. ambient temperature | 4 °C |
| Max. ambient temperature | 50 °C |
| Min. medium temperature | 4 °C |
| Max. medium temperature | 50 °C |
| Medium | Compressed air |
| Max. particle size | 5 µm |
| Oil content of compressed air min. | 0 mg/m ³ |
| Oil content of compressed air max. | 5 mg/m ³ |
| Connector standard | EN 175301-803, form C |
| Nominal flow Qn 1 to 2 | 2100 l/min |
| Nominal flow Qn 2 to 3 | 6500 l/min |
| Protection class with connection | IP65 |
| Duty cycle | 100 % |
| Typ. switch-on time | 42 ms |
| Typ. switch-off time | 178 ms |
| Type sensor | PNP |
| Electrical connection for sensor | Plug |
| Sensor port size | M8x1 |
| Sensor number of poles | 3-pin |
| Weight | 3.25 kg |
| Housing material | Die-cast aluminum |
| Seal material | Acrylonitrile butadiene rubber |
| Part No. | R412027216 |

Technical information

silencer (not included in scope of delivery)

The min. control pressure must be adhered to, since otherwise faulty switching and valve failure may result!

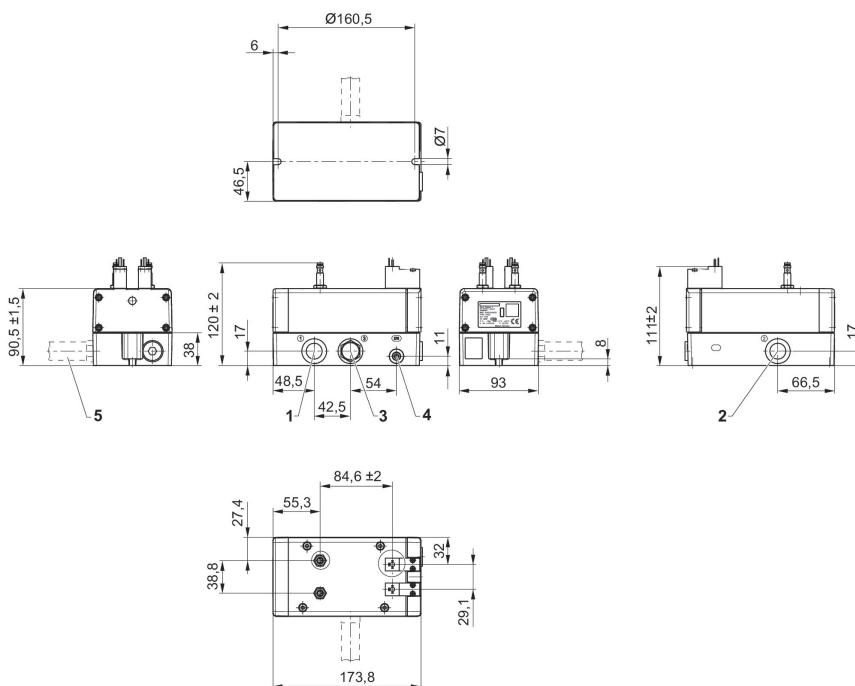
The pressure dew point must be at least 15 °C less than ambient and medium temperature and may not exceed 3 °C.

The oil content of compressed air must remain constant during the life cycle.

Use only the approved oils from AVENTICS. Further information can be found in the "Technical information" document (available in <https://www.emerson.com/en-us/support>).

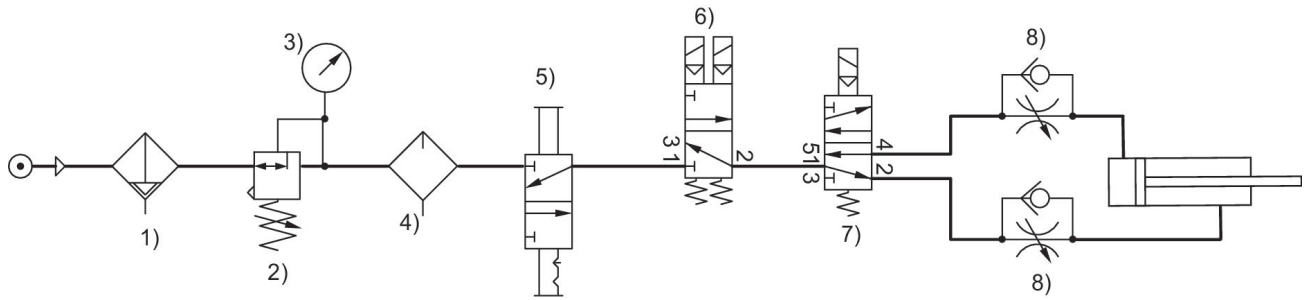
Directional safety valve series SV is delivered and configured for internal control pressure. It can easily be converted to external control pressure. Please refer to the operating instructions. The control pressure must be > 3 bar.

Dimensions



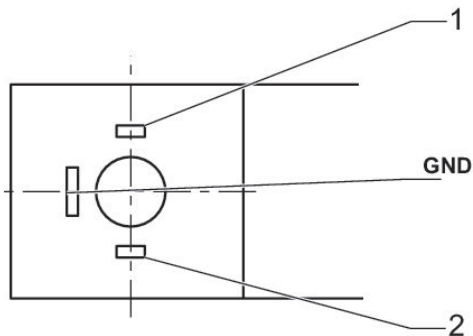
- 1) Port 1 (Input)
- 2) Port 2 (Working pressure)
- 3) Port 3 (Exhaust)
- 4) External pilot G1/8
- 5) silencer (not included in scope of delivery)

Safe air supply and exhaust via 3/2 directional valve



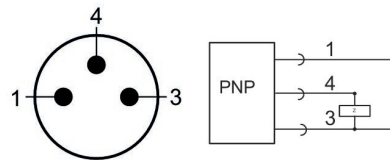
1) Filter 2) Pressure regulator 3) Pressure gauge 4) Lubricator 5) Lockout valve 6) Safety exhaust valve, SV series 7) 5/2 pilot valve 8) Check-choke valve

Valve plug connector form C



1) + 24 / 0 VDC
2) 0 / + 24 VDC

PIN assignment sensor, plug M8 3-pin



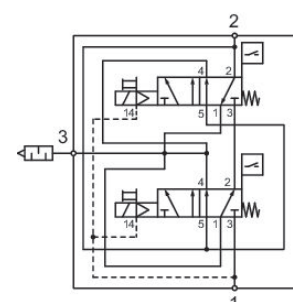
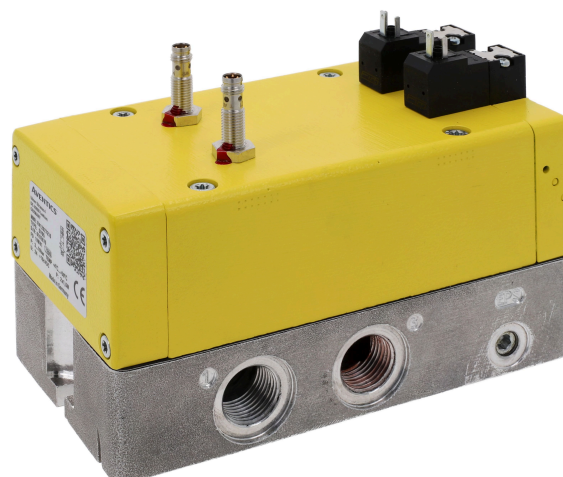
1) + 20 ... + 28 VDC
3) 0 VDC
4) OUT

3/2 directional safety valve, Series SV05

R412027217

General series information
AVENTICS Series SV01/03/05 Safety valves

- The AVENTICS Series SV01/03/05 double valves are redundant 3/2 and 5/2 valves for external monitoring that are designed to meet the needs and requirements of safe air supply and exhaust 3/2 valves and safe cylinder return 5/2 valves applications for machinery with pneumatic controls according to the requirements of ISO 13849-1-2 for safety functions.
- According to ISO 13849-1, Cat. 4, PL e



Technical data

| | |
|----------------------------------|--|
| Industry | Industrial |
| Activation | Electrically |
| Switching principle | 3/2 |
| Compressed air connection output | 1/2 NPT |
| DC operating voltage | 24 V |
| Voltage tolerance DC | -10% / +10% |
| Actuating control | Single Solenoid |
| Sealing principle | soft seal |
| Standards | ISO 13849-1, category 4, performance level: e (possible) |
| Valve type | Double spool valve |
| Return | With spring return |

| | |
|------------------------------------|--------------------------------|
| Compressed air connection input | 1/2 NPT |
| Power consumption DC | 1.5 W |
| Working pressure min. internal | 3 bar |
| Working pressure max. internal | 10 bar |
| Working pressure min. external | 0 bar |
| Working pressure max. external | 10 bar |
| Control pressure min. | 3 bar |
| Control pressure max. | 10 bar |
| Min. ambient temperature | 4 °C |
| Max. ambient temperature | 50 °C |
| Min. medium temperature | 4 °C |
| Max. medium temperature | 50 °C |
| Medium | Compressed air |
| Max. particle size | 5 µm |
| Oil content of compressed air min. | 0 mg/m ³ |
| Oil content of compressed air max. | 5 mg/m ³ |
| Connector standard | EN 175301-803, form C |
| Nominal flow Qn 1 to 2 | 2100 l/min |
| Nominal flow Qn 2 to 3 | 6500 l/min |
| Protection class with connection | IP65 |
| Duty cycle | 100 % |
| Typ. switch-on time | 42 ms |
| Typ. switch-off time | 178 ms |
| Type sensor | PNP |
| Electrical connection for sensor | Plug |
| Sensor port size | M8x1 |
| Sensor number of poles | 3-pin |
| Weight | 3.25 kg |
| Housing material | Die-cast aluminum |
| Seal material | Acrylonitrile butadiene rubber |
| Part No. | R412027217 |

Technical information

silencer (not included in scope of delivery)

The min. control pressure must be adhered to, since otherwise faulty switching and valve failure may result!

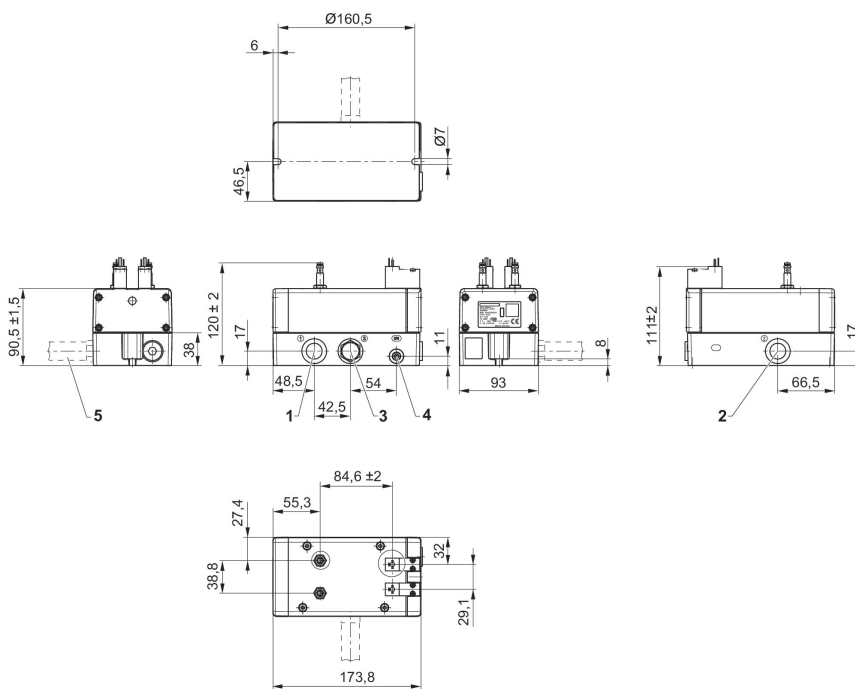
The pressure dew point must be at least 15 °C less than ambient and medium temperature and may not exceed 3 °C.

The oil content of compressed air must remain constant during the life cycle.

Use only the approved oils from AVENTICS. Further information can be found in the "Technical information" document (available in <https://www.emerson.com/en-us/support>).

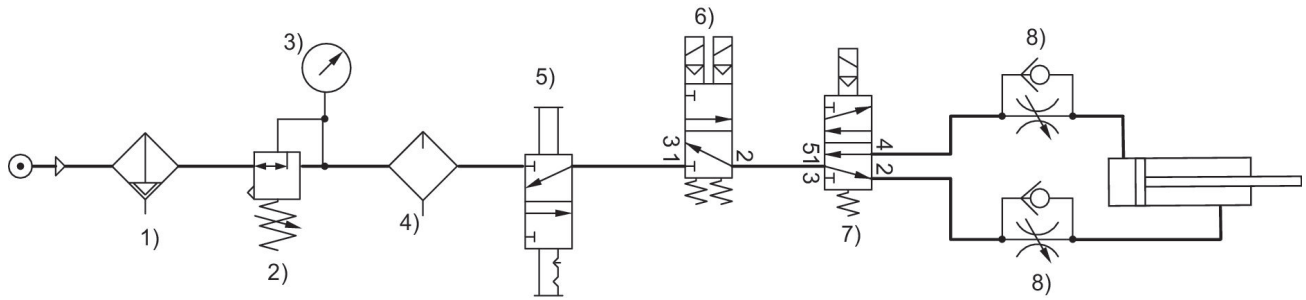
Directional safety valve series SV is delivered and configured for internal control pressure. It can easily be converted to external control pressure. Please refer to the operating instructions. The control pressure must be > 3 bar.

Dimensions



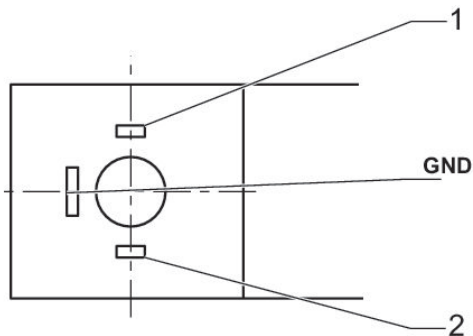
- 1) Port 1 (Input)
- 2) Port 2 (Working pressure)
- 3) Port 3 (Exhaust)
- 4) External pilot G1/8
- 5) silencer (not included in scope of delivery)

Safe air supply and exhaust via 3/2 directional valve



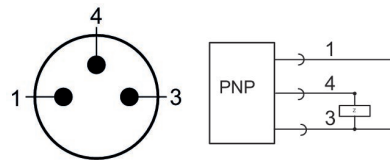
1) Filter 2) Pressure regulator 3) Pressure gauge 4) Lubricator 5) Lockout valve 6) Safety exhaust valve, SV series 7) 5/2 pilot valve 8) Check-choke valve

Valve plug connector form C



1) + 24 / 0 VDC
2) 0 / + 24 VDC

PIN assignment sensor, plug M8 3-pin



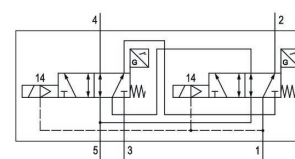
1) + 20 ... + 28 VDC
3) 0 VDC
4) OUT

5/2 directional safety valve, Series SV05

R412027218

General series information
AVENTICS Series SV01/03/05 Safety valves

- The AVENTICS Series SV01/03/05 double valves are redundant 3/2 and 5/2 valves for external monitoring that are designed to meet the needs and requirements of safe air supply and exhaust 3/2 valves and safe cylinder return 5/2 valves applications for machinery with pneumatic controls according to the requirements of ISO 13849-1-2 for safety functions.
- According to ISO 13849-1, Cat. 4, PL e



Technical data

| | |
|----------------------------------|--|
| Industry | Industrial |
| Activation | Electrically |
| Switching principle | 5/2 |
| Compressed air connection output | G 1/2 |
| Voltage tolerance DC | -10% / +10% |
| Actuating control | Single Solenoid |
| Sealing principle | soft seal |
| Pilot | Internal |
| Standards | ISO 13849-1, category 4, performance level: e (possible) |
| Valve type | Double spool valve |
| Return | With spring return |
| Compressed air connection input | G 1/2 |
| Power consumption DC | 1.5 W |
| Working pressure min. internal | 3 bar |
| Working pressure max. internal | 10 bar |

| | |
|------------------------------------|--------------------------------|
| Working pressure min. external | 0 bar |
| Working pressure max. external | 10 bar |
| Control pressure min. | 3 bar |
| Control pressure max. | 10 bar |
| Min. ambient temperature | 4 °C |
| Max. ambient temperature | 50 °C |
| Min. medium temperature | 4 °C |
| Max. medium temperature | 50 °C |
| Medium | Compressed air |
| Max. particle size | 5 µm |
| Oil content of compressed air min. | 0 mg/m ³ |
| Oil content of compressed air max. | 5 mg/m ³ |
| Connector standard | EN 175301-803, form C |
| Nominal flow Qn 1 to 2 | 3400 l/min |
| Nominal flow Qn 1 to 4 | 1970 l/min |
| Nominal flow Qn 2 to 3 | 2000 l/min |
| Nominal flow Qn 4 to 5 | 3200 l/min |
| Protection class with connection | IP65 |
| Duty cycle | 100 % |
| Typ. switch-on time | 42 ms |
| Typ. switch-off time | 178 ms |
| Type sensor | PNP |
| Electrical connection for sensor | Plug |
| Sensor port size | M8x1 |
| Sensor number of poles | 3-pin |
| Weight | 3.27 kg |
| Housing material | Die-cast aluminum |
| Seal material | Acrylonitrile butadiene rubber |
| Part No. | R412027218 |

Technical information

The min. control pressure must be adhered to, since otherwise faulty switching and valve failure may result!

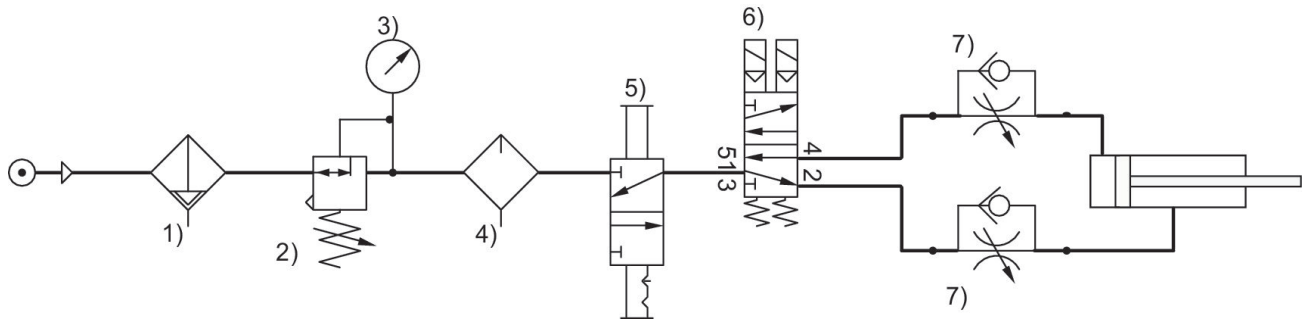
The pressure dew point must be at least 15 °C less than ambient and medium temperature and may not exceed 3 °C.

The oil content of compressed air must remain constant during the life cycle.

Use only the approved oils from AVENTICS. Further information can be found in the “Technical information” document (available in <https://www.emerson.com/en-us/support>).

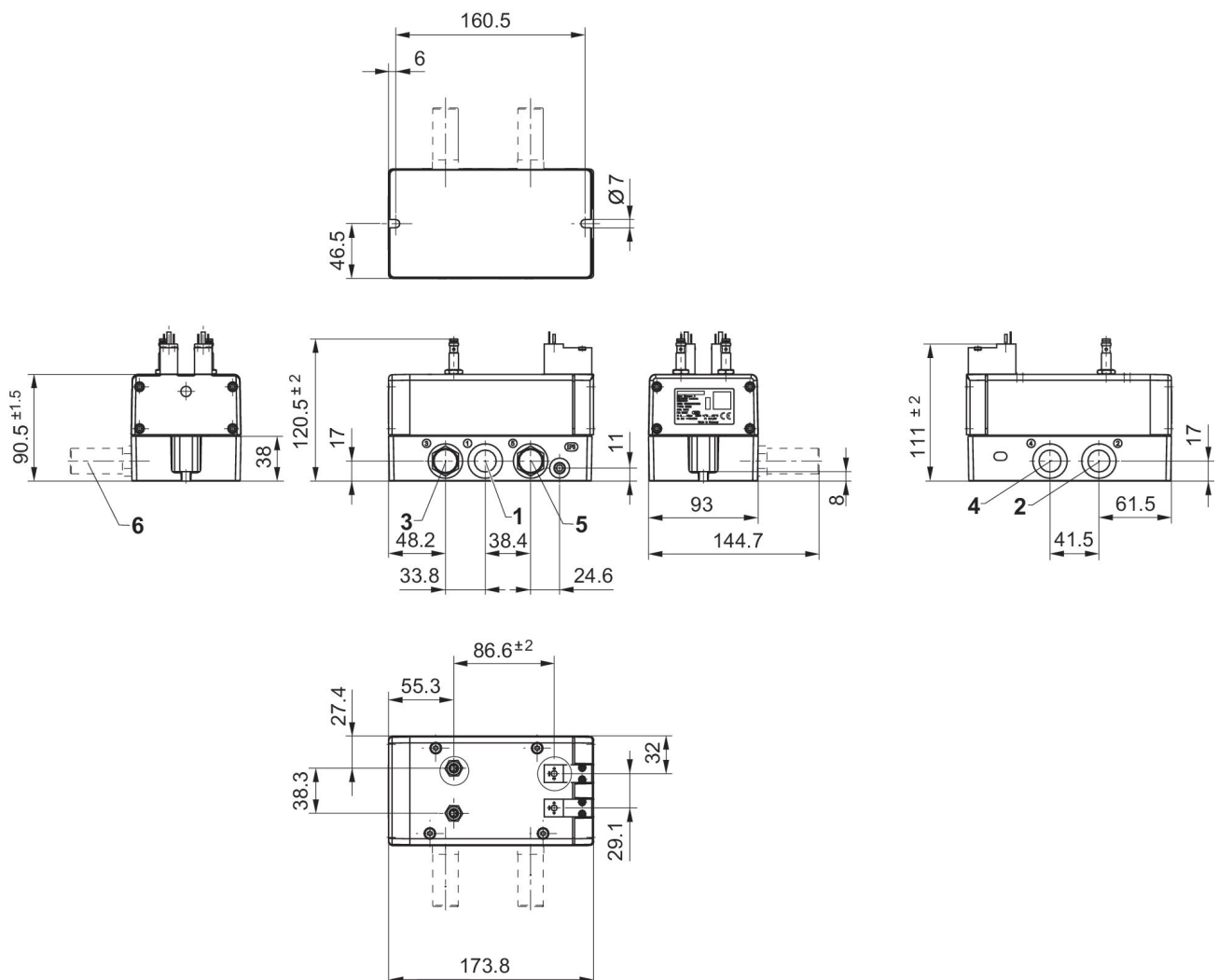
Directional safety valve series SV is delivered and configured for internal control pressure. It can easily be converted to external control pressure. Please refer to the operating instructions. The control pressure must be > 3 bar.

Safe air supply and cylinder return via 5/2 directional valve



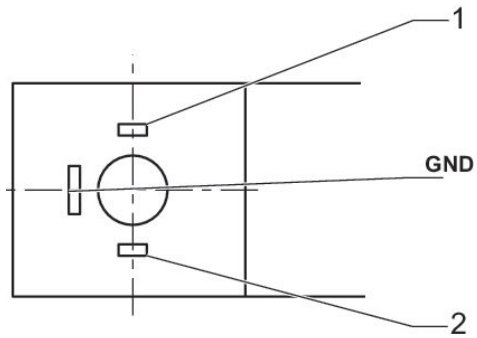
1) Filter 2) Pressure regulator 3) Pressure gauge 4) Lubricator 5) Lockout valve 6) Safety valve, Series SV 7) Check-choke valve

Dimensions



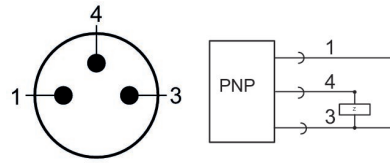
- 1) Port 1 (Input)
- 2) Port 2 (Output)
- 3) Port 3 (Exhaust)
- 4) Port 4 (Output)
- 5) Port 5 (Exhaust)
- 6) silencer (not included in scope of delivery)

Valve plug connector form C



- 1) + 24 / 0 VDC
- 2) 0 / + 24 VDC

PIN assignment sensor, plug M8 3-pin



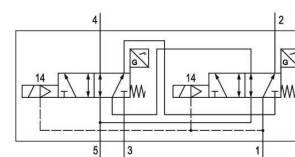
- 1) + 20 ... + 28 VDC
- 3) 0 VDC
- 4) OUT

5/2 directional safety valve, Series SV05

R412027219

General series information
AVENTICS Series SV01/03/05 Safety valves

- The AVENTICS Series SV01/03/05 double valves are redundant 3/2 and 5/2 valves for external monitoring that are designed to meet the needs and requirements of safe air supply and exhaust 3/2 valves and safe cylinder return 5/2 valves applications for machinery with pneumatic controls according to the requirements of ISO 13849-1-2 for safety functions.
- According to ISO 13849-1, Cat. 4, PL e



Technical data

| | |
|----------------------------------|--|
| Industry | Industrial |
| Activation | Electrically |
| Switching principle | 5/2 |
| Compressed air connection output | 1/2 NPT |
| Voltage tolerance DC | -10% / +10% |
| Actuating control | Single Solenoid |
| Sealing principle | soft seal |
| Pilot | Internal |
| Standards | ISO 13849-1, category 4, performance level: e (possible) |
| Valve type | Double spool valve |
| Return | With spring return |
| Compressed air connection input | 1/2 NPT |
| Power consumption DC | 1.5 W |
| Working pressure min. internal | 3 bar |
| Working pressure max. internal | 10 bar |

| | |
|------------------------------------|--------------------------------|
| Working pressure min. external | 0 bar |
| Working pressure max. external | 10 bar |
| Control pressure min. | 3 bar |
| Control pressure max. | 10 bar |
| Min. ambient temperature | 4 °C |
| Max. ambient temperature | 50 °C |
| Min. medium temperature | 4 °C |
| Max. medium temperature | 50 °C |
| Medium | Compressed air |
| Max. particle size | 5 µm |
| Oil content of compressed air min. | 0 mg/m ³ |
| Oil content of compressed air max. | 5 mg/m ³ |
| Connector standard | EN 175301-803, form C |
| Nominal flow Qn 1 to 2 | 3400 l/min |
| Nominal flow Qn 1 to 4 | 1970 l/min |
| Nominal flow Qn 2 to 3 | 2000 l/min |
| Nominal flow Qn 4 to 5 | 3200 l/min |
| Protection class with connection | IP65 |
| Duty cycle | 100 % |
| Typ. switch-on time | 42 ms |
| Typ. switch-off time | 178 ms |
| Type sensor | PNP |
| Electrical connection for sensor | Plug |
| Sensor port size | M8x1 |
| Sensor number of poles | 3-pin |
| Weight | 3.27 kg |
| Housing material | Die-cast aluminum |
| Seal material | Acrylonitrile butadiene rubber |
| Part No. | R412027219 |

Technical information

The min. control pressure must be adhered to, since otherwise faulty switching and valve failure may result!

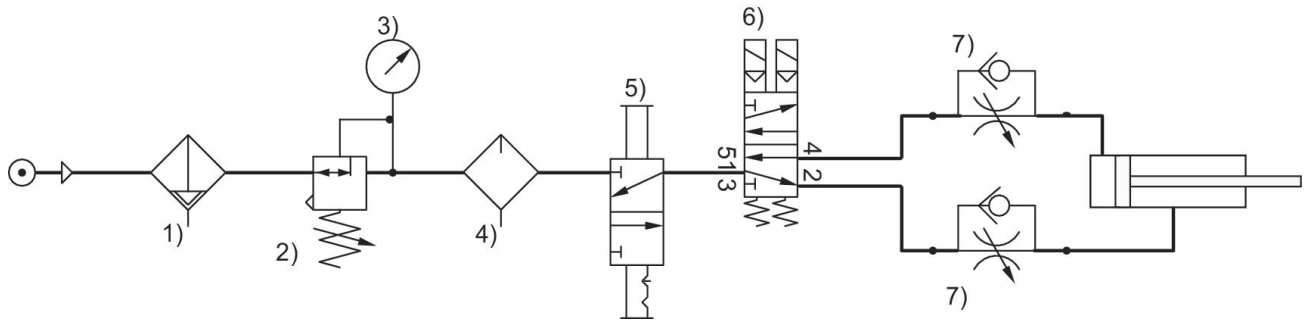
The pressure dew point must be at least 15 °C less than ambient and medium temperature and may not exceed 3 °C.

The oil content of compressed air must remain constant during the life cycle.

Use only the approved oils from AVENTICS. Further information can be found in the “Technical information” document (available in <https://www.emerson.com/en-us/support>).

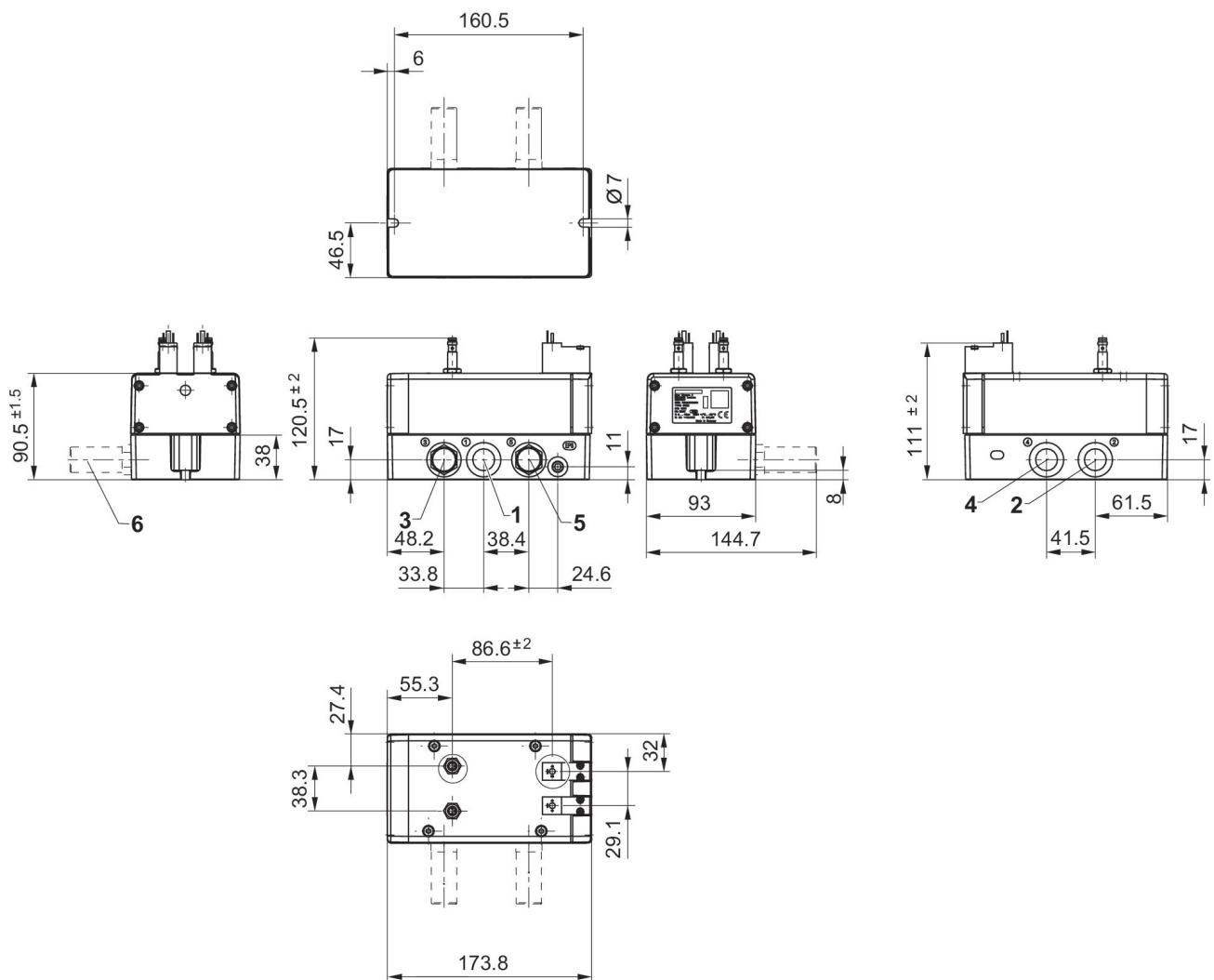
Directional safety valve series SV is delivered and configured for internal control pressure. It can easily be converted to external control pressure. Please refer to the operating instructions. The control pressure must be > 3 bar.

Safe air supply and cylinder return via 5/2 directional valve



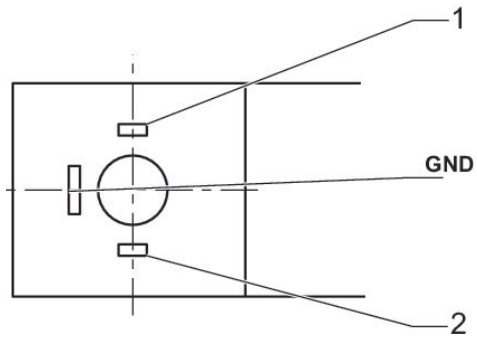
1) Filter 2) Pressure regulator 3) Pressure gauge 4) Lubricator 5) Lockout valve 6) Safety valve, Series SV 7) Check-choke valve

Dimensions



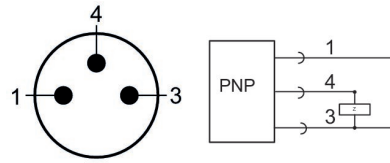
- 1) Port 1 (Input)
- 2) Port 2 (Output)
- 3) Port 3 (Exhaust)
- 4) Port 4 (Output)
- 5) Port 5 (Exhaust)
- 6) silencer (not included in scope of delivery)

Valve plug connector form C



- 1) + 24 / 0 VDC
- 2) 0 / + 24 VDC

PIN assignment sensor, plug M8 3-pin



- 1) + 20 ... + 28 VDC
- 3) 0 VDC
- 4) OUT

Valve plug connector, series CON-VP

- Socket, form C, 2+E, angled, 90°
- ISO 15217
- unshielded
- with LED Green



| | |
|----------------------------------|-----------------|
| Connection type | Screws |
| Ambient temperature min./max. | -40 ... 90 °C |
| Operational voltage | See table below |
| Protection class | IP65 |
| Mounting screw tightening torque | 0.4 Nm |
| Weight | See table below |

Technical data

| Part No. | | Operational voltage | Max. current | Protective circuit | Contact assignment |
|------------|--|---------------------|--------------|--------------------|--------------------|
| 1834484187 | | 250 / 300 V AC/DC | 6 A | - | 2+E |
| 8941012202 | | 250 / 300 V AC/DC | 6 A | - | 2+E |
| 4402050330 | | 24 V AC/DC | - | Z-diode | 2+E |

| Part No. | LED status display | suitable cable-Ø min./max | Seal | Weight |
|------------|--------------------|---------------------------|---------------------------------|----------|
| 1834484187 | - | 4 / 8 mm | caoutchouc/butadiene caoutchouc | 0.012 kg |
| 8941012202 | - | 4 / 8 mm | - | 0.012 kg |
| 4402050330 | Green | - | - | 0.014 kg |

| Part No. | Fig. | |
|------------|--------|----|
| 1834484187 | Fig. 1 | - |
| 8941012202 | Fig. 2 | - |
| 4402050330 | Fig. 3 | 1) |

1)

Technical information

The specified protection class is only valid in assembled and tested state.

Technical information

Material

Seals

caoutchouc/butadiene caoutchouc

Dimensions

Fig. 1

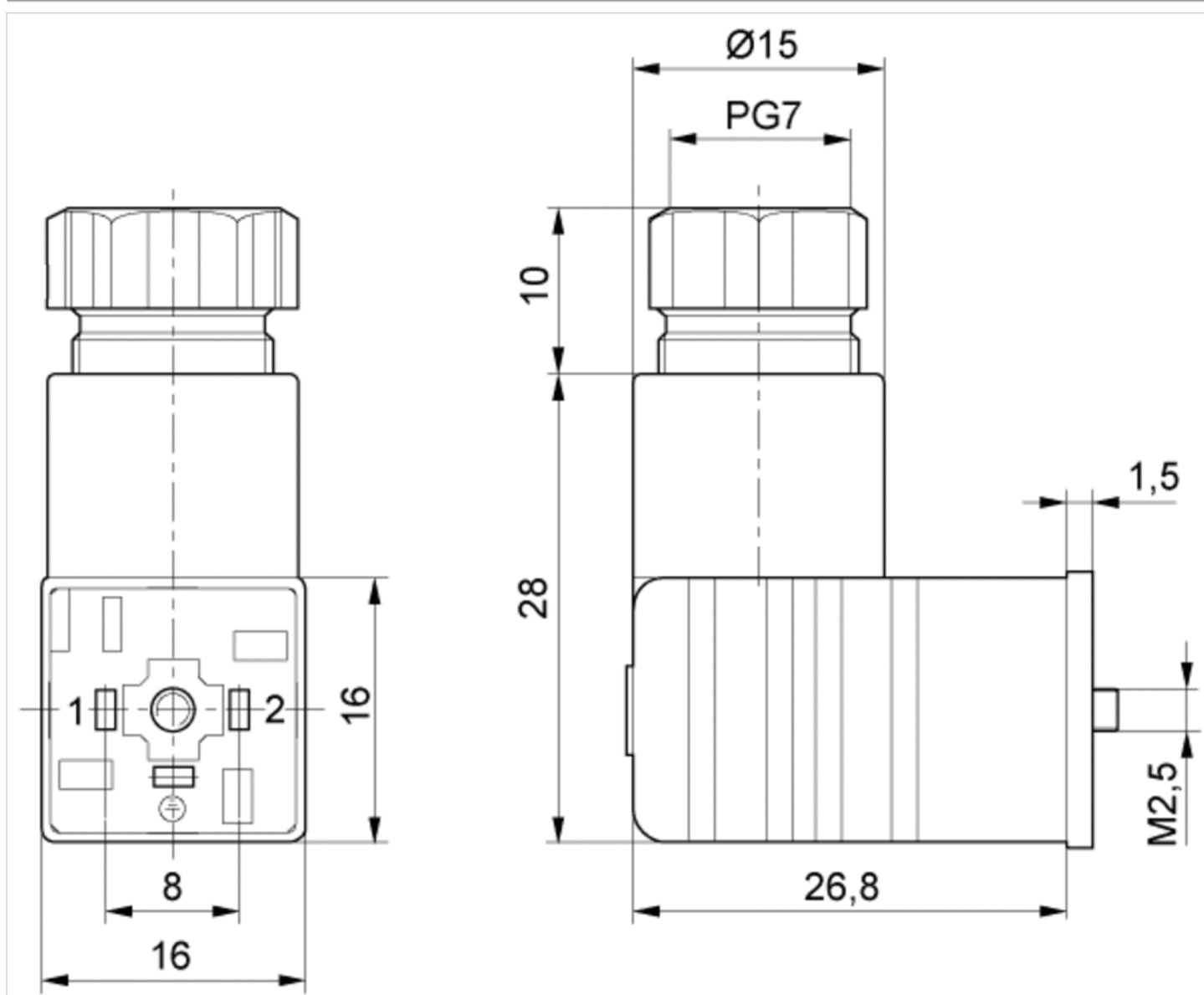


Fig. 2

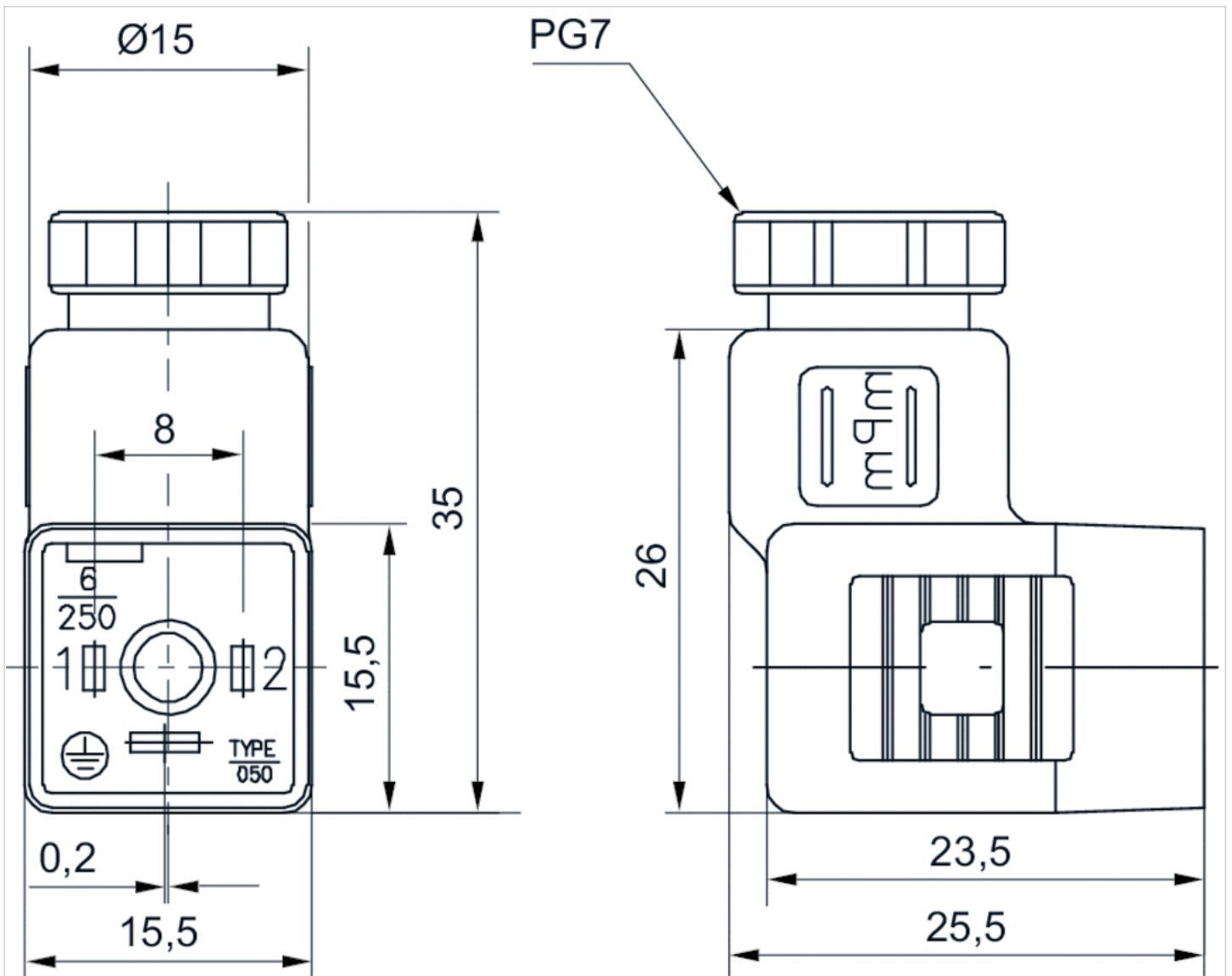
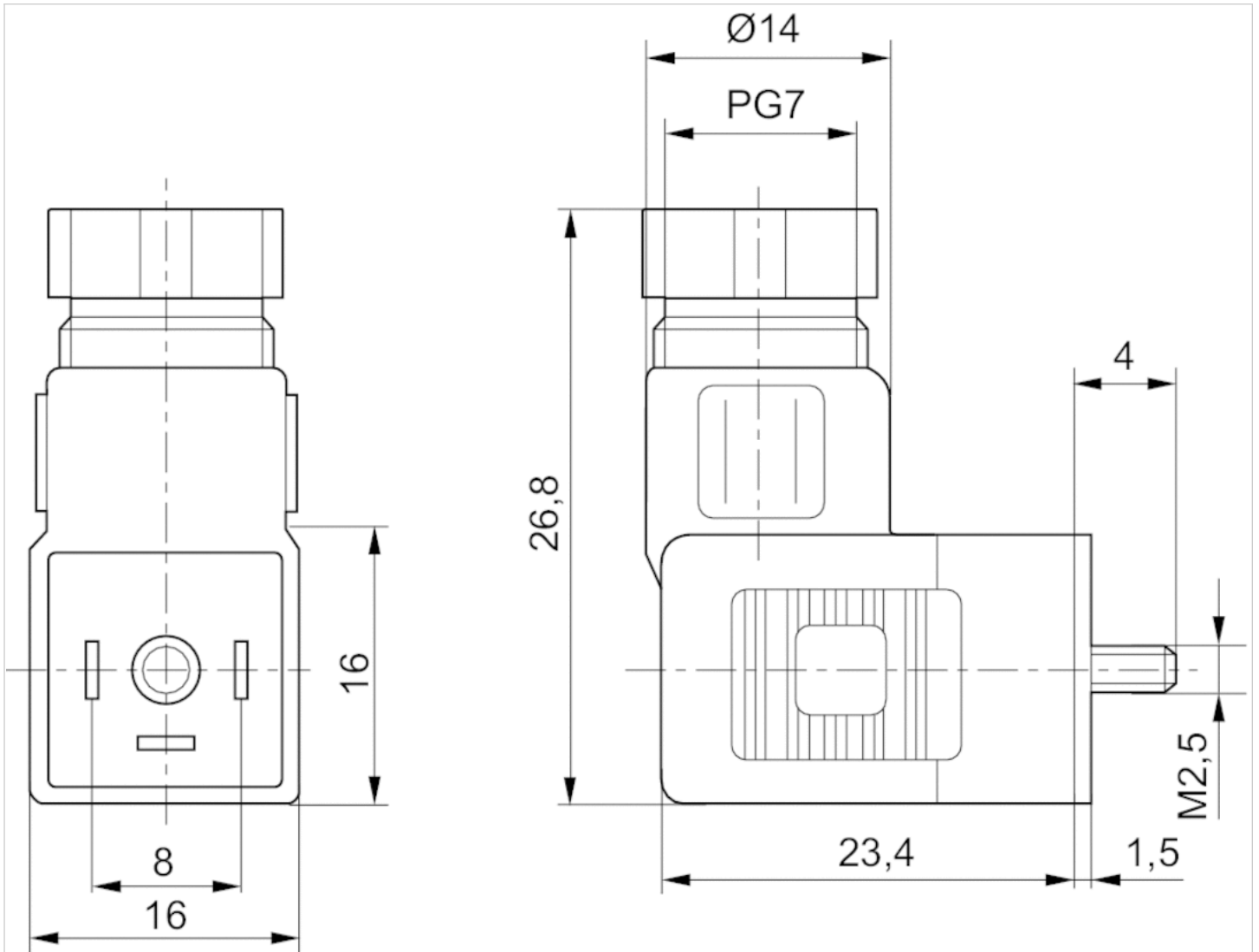


Fig. 3

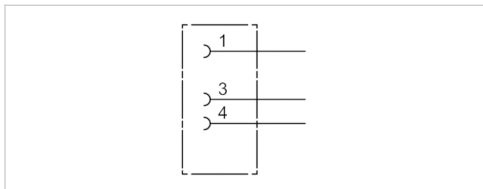


Round plug connector, Series CON-RD

- Socket, M8x1, 3-pin, A-coded, straight, 180°
- UL (Underwriters Laboratories)
- unshielded



| | |
|-------------------------------|---------------|
| Connection type | Soldering |
| Ambient temperature min./max. | -25 ... 80 °C |
| Operational voltage | 48 V AC/DC |
| Protection class | IP67 |
| Weight | 0.009 kg |



Technical data

| Part No. | Max. current | suitable cable-Ø min./max |
|------------|--------------|---------------------------|
| 1834484173 | 4 A | 3.5 / 5 mm |

Technical information

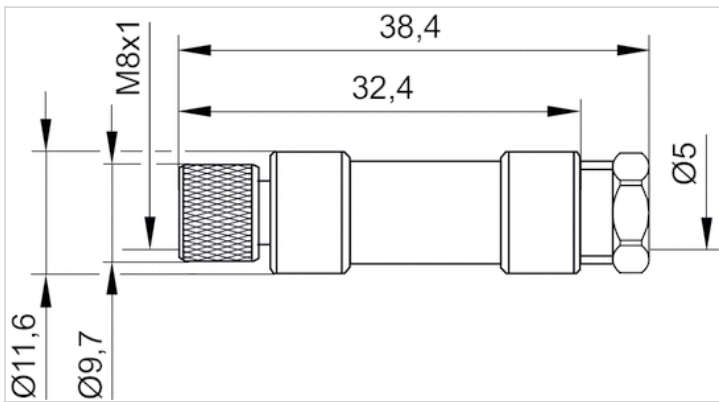
The specified protection class is only valid in assembled and tested state.

Technical information

| Material | |
|----------|-----------|
| Housing | Polyamide |

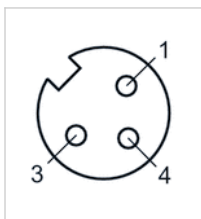
Dimensions

Dimensions



Pin assignments

Pin assignment, socket

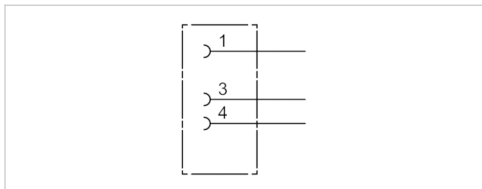


Round plug connector, Series CON-RD

- Socket, M8x1, 3-pin, A-coded, angled, 90°
- UL (Underwriters Laboratories)
- unshielded



| | |
|-------------------------------|---------------|
| Connection type | Soldering |
| Ambient temperature min./max. | -40 ... 85 °C |
| Operational voltage | 48 V AC/DC |
| Protection class | IP67 |
| Weight | 0.01 kg |



Technical data

| Part No. | Max. current | Contact assignment | suitable cable-Ø min./max |
|------------|--------------|--------------------|---------------------------|
| 1834484174 | 4 A | 3 | 3.5 / 5 mm |

Technical information

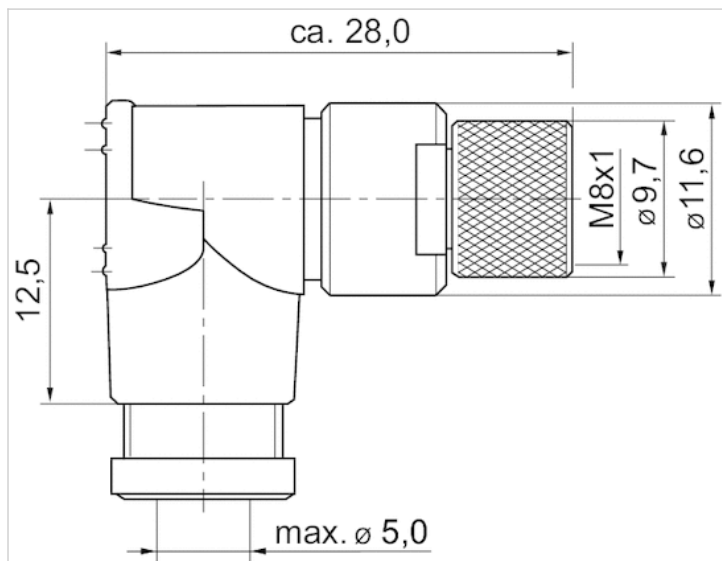
The specified protection class is only valid in assembled and tested state.

Technical information

| Material | |
|----------|-----------|
| Housing | Polyamide |

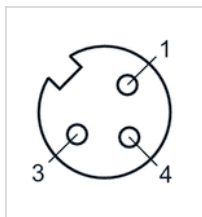
Dimensions

Dimensions



Pin assignments

Pin assignment, socket

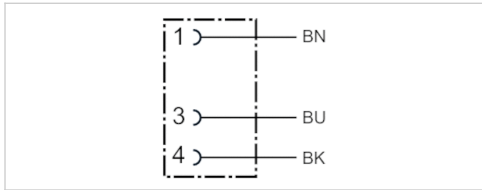


Round plug connector, Series CON-RD

- Socket M8x1 3-pin A-coded straight 180°
- open cable ends
- with cable
- unshielded



| | |
|---------------------|----------------------|
| Operational voltage | 30 / 36 V AC/DC |
| Protection class | IP67 |
| Wire cross-section | 0.34 mm ² |
| Weight | See table below |



Technical data

| Part No. | Max. current | Number of wires | Cable-Ø | Cable length | Weight |
|------------|--------------|-----------------|---------|--------------|----------|
| 8946201312 | 2.5 A | 3 | 3.5 mm | 2 m | 0.066 kg |
| 8946201332 | 2.5 A | 3 | 3.5 mm | 15 m | 0.466 kg |

Technical information

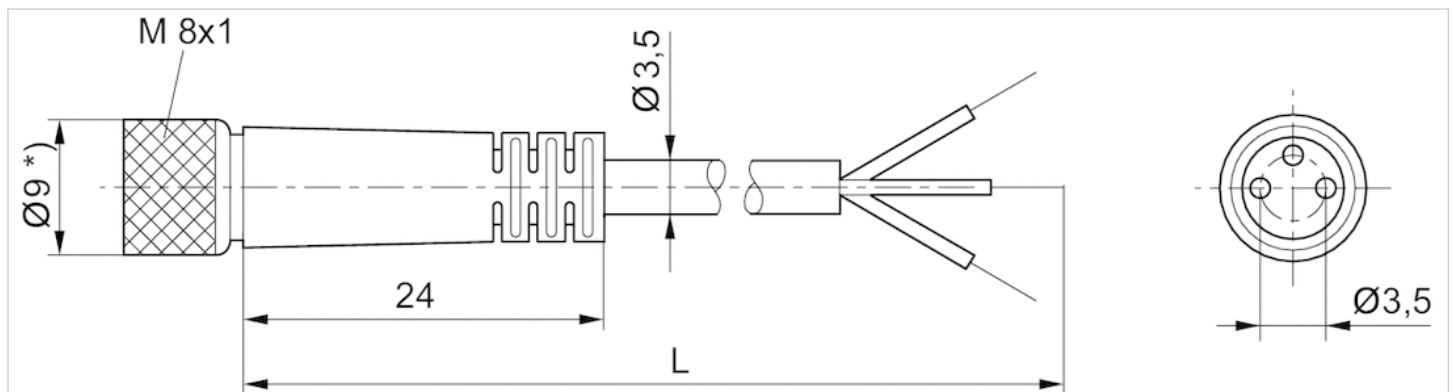
The specified protection class is only valid in assembled and tested state.

Technical information

| Material | |
|--------------|--------------------|
| Cable sheath | Polyvinyl chloride |

Dimensions

Dimensions

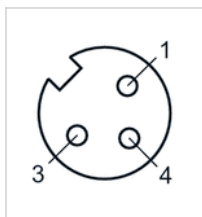


L = length

*) With 15 m cable length $\varnothing 12$

Pin assignments

Pin assignment, socket



(1) BN=brown

(3) BU=blue

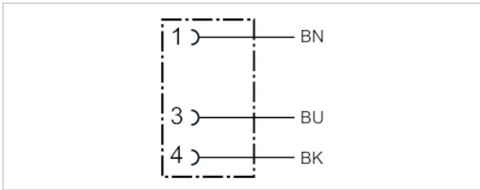
(4) BK=black

Round plug connector, Series CON-RD

- Socket M8x1 3-pin A-coded angled 90°
- open cable ends
- with cable
- unshielded



| | |
|-------------------------------|----------------------|
| Ambient temperature min./max. | -40 ... 85 °C |
| Operational voltage | 48 V AC/DC |
| Protection class | IP67 |
| Wire cross-section | 0.24 mm ² |
| Weight | See table below |



Technical data

| Part No. | Max. current | Number of wires | Cable-Ø | Cable length | Weight |
|------------|--------------|-----------------|---------|--------------|----------|
| 1834484167 | 4 A | 3 | 4.5 mm | 3 m | 0.087 kg |
| 1834484169 | 4 A | 3 | 4.5 mm | 5 m | 0.139 kg |
| 1834484248 | 4 A | 3 | 4.5 mm | 10 m | 0.279 kg |

Technical information

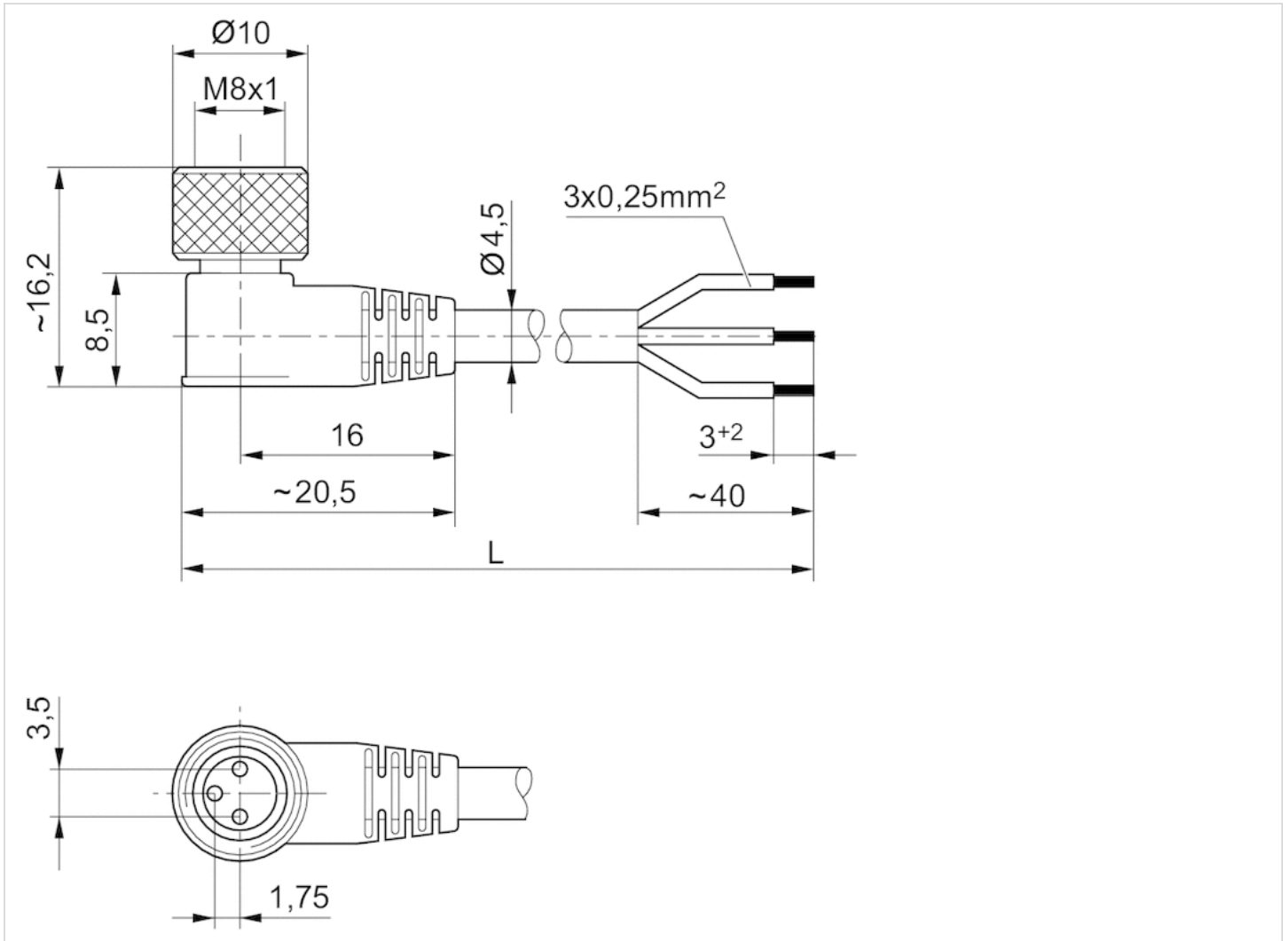
The specified protection class is only valid in assembled and tested state.

Technical information

| Material | |
|--------------|--------------|
| Housing | Polyurethane |
| Cable sheath | Polyurethane |

Dimensions

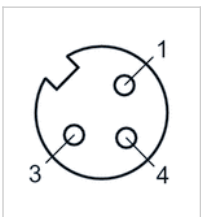
Dimensions



L = length

Pin assignments

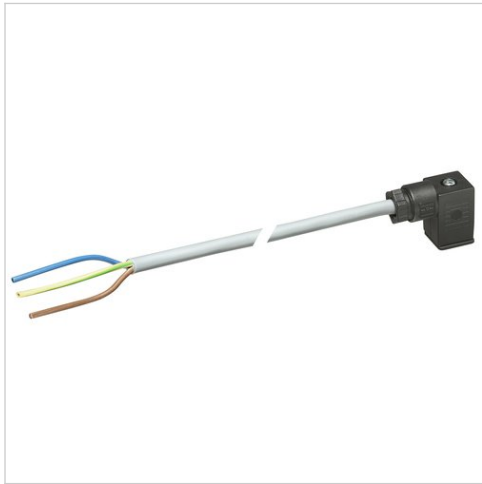
Pin assignment, socket



- (1) BN=brown
- (3) BU=blue
- (4) BK=black

Valve plug connector, series CON-VP

- Socket form C 2+E angled 90°
- open cable ends 3-pin
- with cable
- unshielded



| | |
|----------------------------------|----------------------|
| Ambient temperature min./max. | -20 ... 80 °C |
| Operational voltage | See table below |
| Protection class | IP67 |
| Wire cross-section | 0.75 mm ² |
| Mounting screw tightening torque | 0.4 Nm |
| Weight | See table below |

Technical data

| Part No. | | Operational voltage | Max. current | Protective circuit | Contact assignment |
|------------|--|---------------------|--------------|--------------------|--------------------|
| 1834484212 | | 230 V AC/DC | 6 A | - | 2+E |
| 1834484213 | | 230 V AC/DC | 6 A | - | 2+E |
| 1834484214 | | 230 V AC/DC | 6 A | - | 2+E |
| 1834484215 | | 230 V AC/DC | 6 A | - | 2+E |
| 1834484204 | | 24 V AC/DC | 6 A | Z-diode | 2+E |
| 1834484205 | | 24 V AC/DC | 6 A | Z-diode | 2+E |
| 1834484206 | | 24 V AC/DC | 6 A | Z-diode | 2+E |
| 1834484207 | | 24 V AC/DC | 6 A | Z-diode | 2+E |
| 1834484208 | | 230 V AC/DC | 6 A | Varistor | 2+E |
| 1834484209 | | 230 V AC/DC | 6 A | Varistor | 2+E |
| 1834484210 | | 230 V AC/DC | 6 A | Varistor | 2+E |
| 1834484211 | | 230 V AC/DC | 6 A | Varistor | 2+E |
| 1834484236 | | 24 V AC/DC | 6 A | Z-diode | 2+E |

| Part No. | LED status display | Number of wires | Cable-Ø | Cable length | Weight | Fig. | |
|------------|--------------------|-----------------|---------|--------------|----------|--------|----|
| 1834484212 | - | 3 | 5.9 mm | 3 m | 0.183 kg | Fig. 1 | - |
| 1834484213 | - | 3 | 5.9 mm | 3 m | 0.183 kg | Fig. 2 | - |
| 1834484214 | - | 3 | 5.9 mm | 5 m | 0.308 kg | Fig. 1 | - |
| 1834484215 | - | 3 | 5.9 mm | 5 m | 0.308 kg | Fig. 2 | - |
| 1834484204 | Yellow | 3 | 5.9 mm | 3 m | 0.185 kg | Fig. 1 | 1) |
| 1834484205 | Yellow | 3 | 5.9 mm | 3 m | 0.185 kg | Fig. 2 | 1) |
| 1834484206 | Yellow | 3 | 5.9 mm | 5 m | 0.292 kg | Fig. 1 | 1) |
| 1834484207 | Yellow | 3 | 5.9 mm | 5 m | 0.298 kg | Fig. 2 | 1) |
| 1834484208 | Yellow | 3 | 5.9 mm | 3 m | 0.171 kg | Fig. 1 | 1) |
| 1834484209 | Yellow | 3 | 5.9 mm | 3 m | 0.194 kg | Fig. 2 | 1) |
| 1834484210 | Yellow | 3 | 5.9 mm | 5 m | 0.297 kg | Fig. 1 | 1) |

| Part No. | LED status display | Number of wires | Cable-Ø | Cable length | Weight | Fig. | |
|------------|--------------------|-----------------|---------|--------------|----------|--------|----|
| 1834484211 | Yellow | 3 | 5.9 mm | 5 m | 0.285 kg | Fig. 2 | 1) |
| 1834484236 | Yellow | 3 | 5.9 mm | 10 m | 0.571 kg | Fig. 2 | 1) |

1) Scope of delivery incl. flat gasket

Technical information

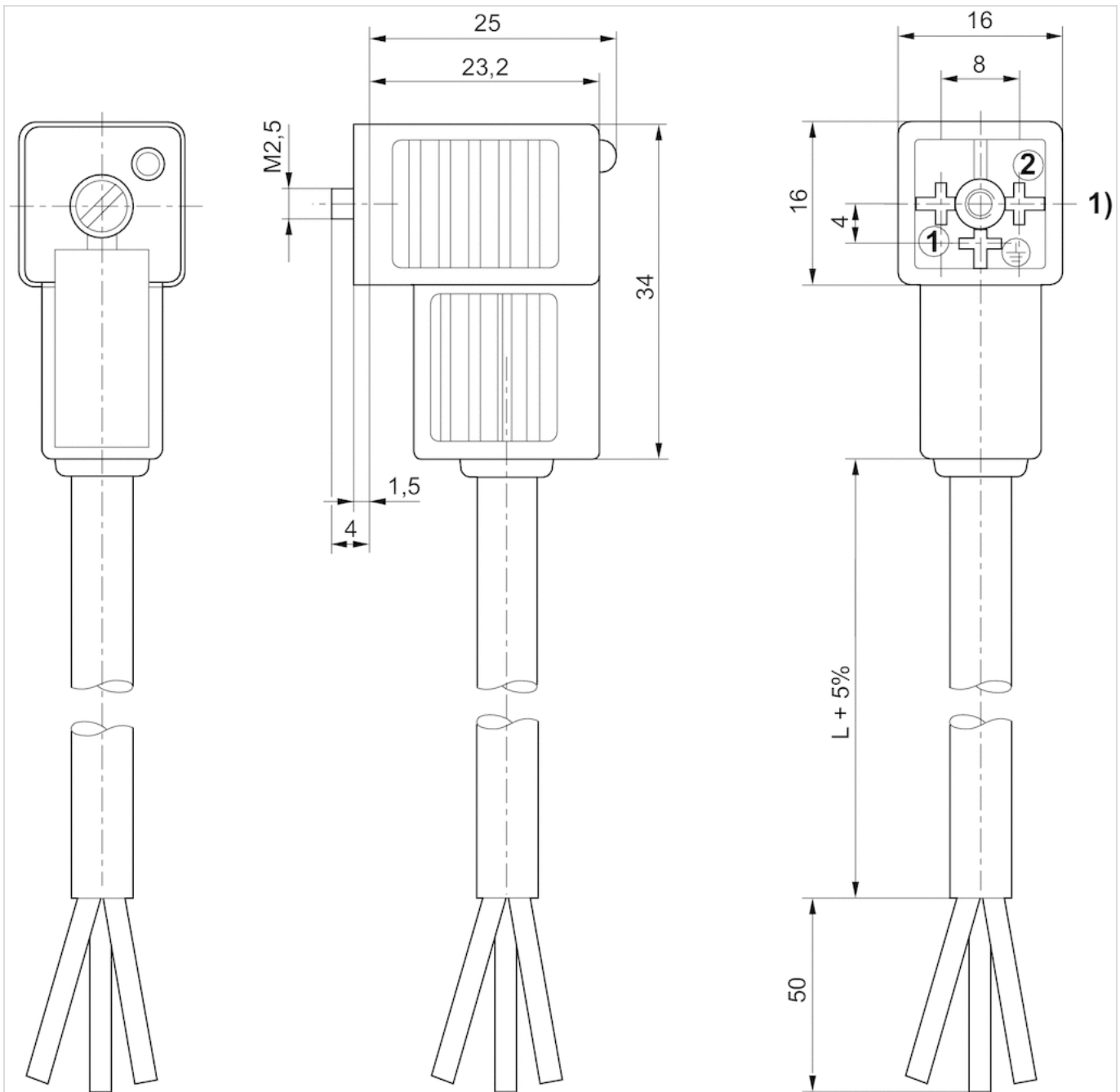
The specified protection class is only valid in assembled and tested state.

Technical information

| Material | |
|--------------|---------------------------------|
| Seals | caoutchouc/butadiene caoutchouc |
| Cable sheath | Polyvinyl chloride |

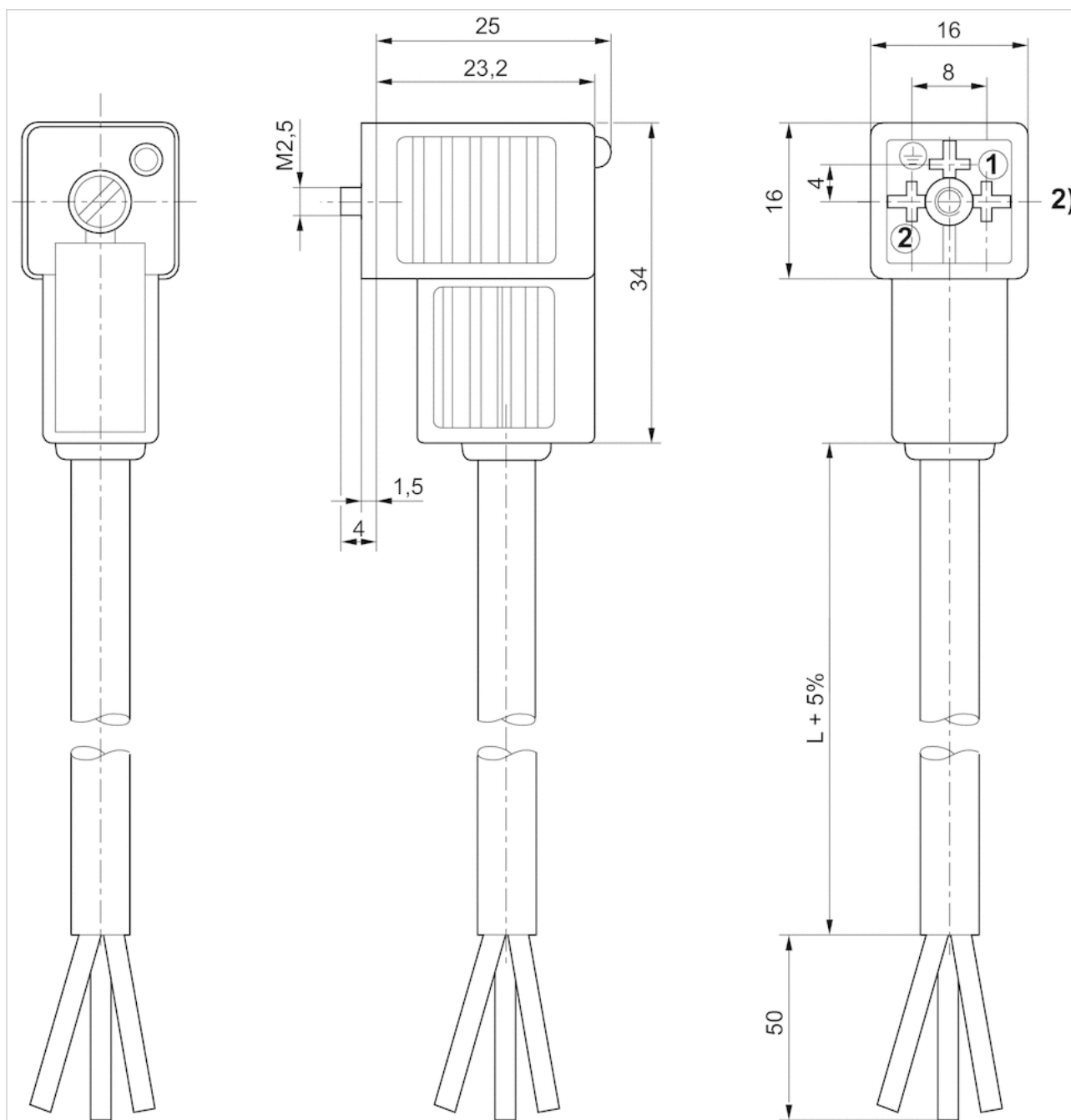
Dimensions

Fig. 1



1) 0° female insert

Fig. 2



2) 180° female insert

Silencers, series SI1

- G 1/2
- Metal braiding



Working pressure min./max.

0 ... 15 bar

Ambient temperature min./max.

-10 ... 150 °C

Medium

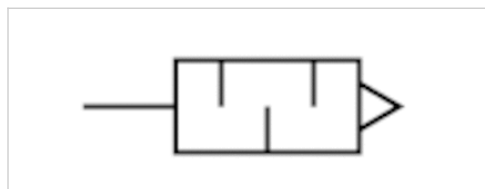
Compressed air

Sound pressure level

100 dB

Comment

Flow characteristic curves can be found under "Diagrams".



Technical data

| Part No. | Compressed air connection | Flow | Delivery unit |
|------------|---------------------------|------------|---------------|
| | | Qn | |
| R412010247 | G 1/2 | 6285 l/min | 5 piece |

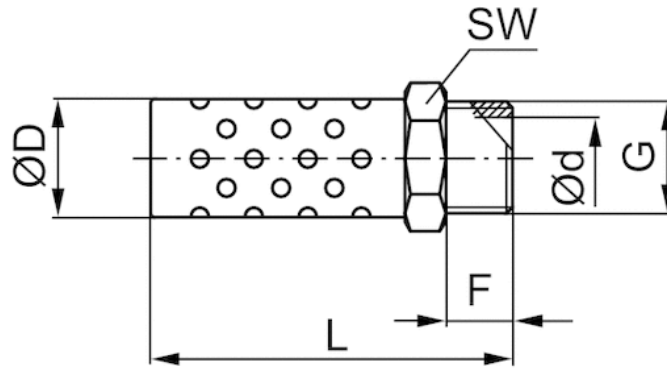
Nominal flow Qn at p1 = 6 bar (absolute) freely discharged. Sound pressure level measured at 6 bar against atmosphere at 1 m distance.

Technical information

| Material | |
|----------|----------------|
| Silencer | Metal braiding |
| Thread | Aluminum |

Dimensions

Dimensions



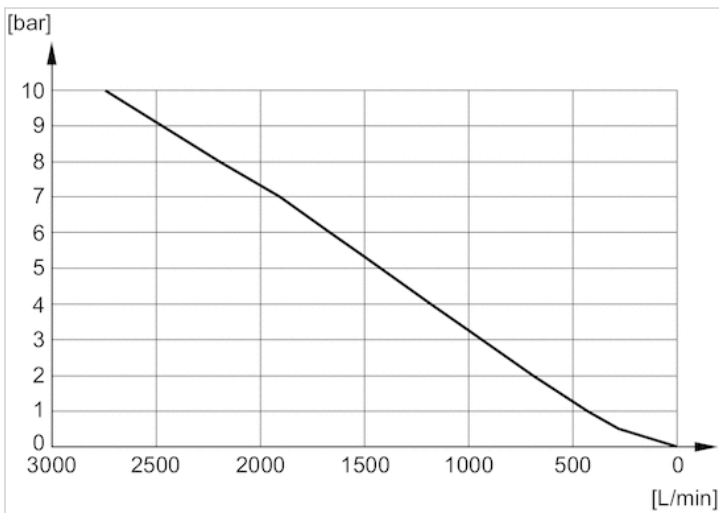
Dimensions

| Part No. | Port G | L | F | D | d | SW |
|------------|--------|------|----|------|----|----|
| R412010247 | G 1/2 | 65.2 | 11 | 21.5 | 15 | 22 |

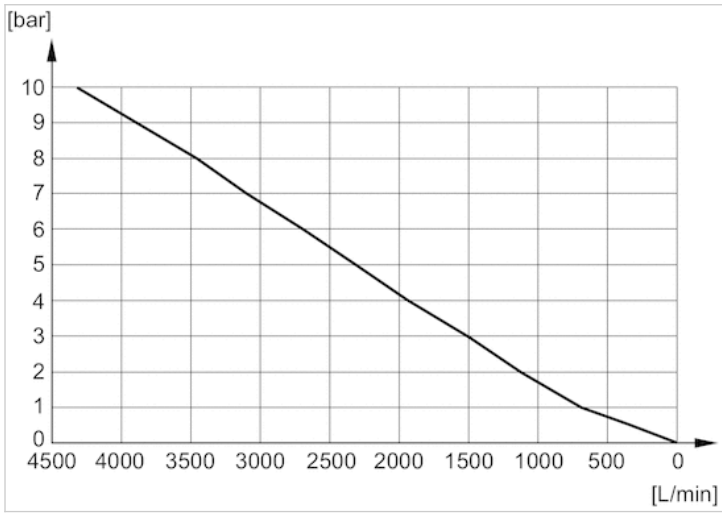
Sound pressure level measured at 6 bar at 1 m distance

Diagrams

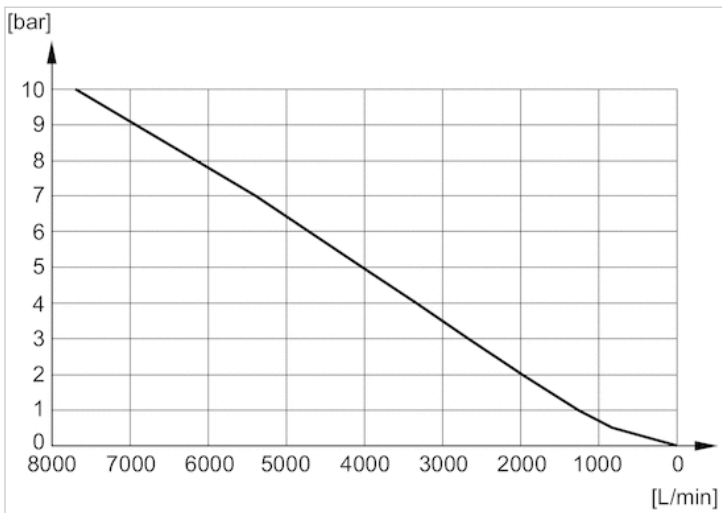
Flow diagram, R412010283



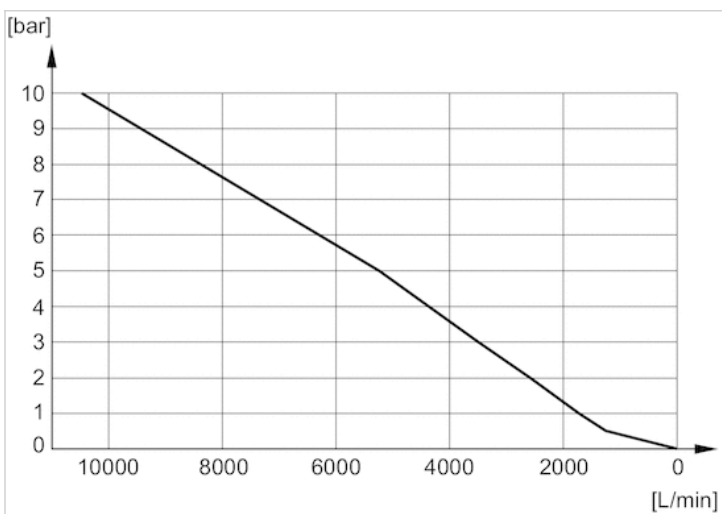
Flow diagram, R412010245



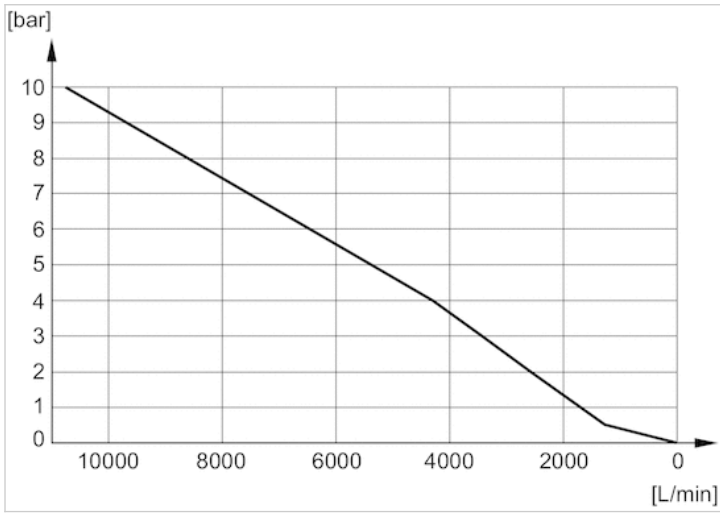
Flow diagram, R412010246



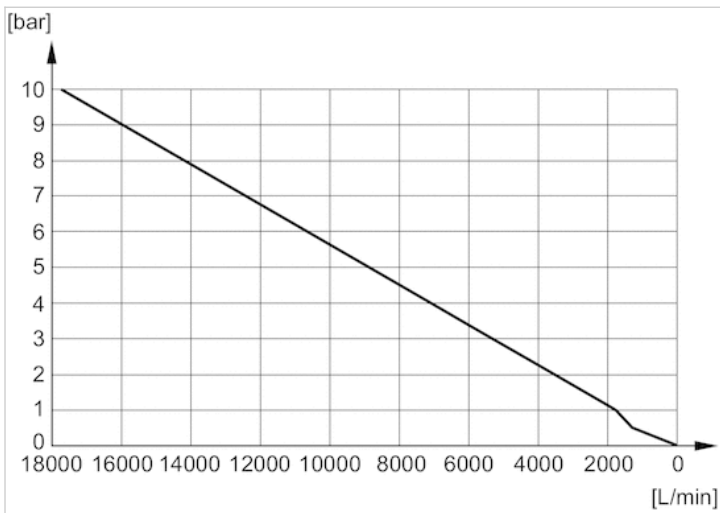
Flow diagram, R412010247



Flow diagram, R412010248



Flow diagram, R412010249



Efficient pneumatic solutions, our program: cylinders and drives, valves and valve systems, air supply management



Visit us: [Emerson.com/Aventics](https://www.emerson.com/Aventics)

Your local contact: [Emerson.com/contactus](https://www.emerson.com/contactus)



[Emerson.com](https://www.emerson.com)



[Facebook.com/EmersonAutomationSolutions](https://www.facebook.com/EmersonAutomationSolutions)



[LinkedIn.com/company/Emerson-Automation-Solutions](https://www.linkedin.com/company/Emerson-Automation-Solutions)



[Twitter.com/EMR_Automation](https://twitter.com/EMR_Automation)

An example configuration is depicted on the title page. The delivered product may thus vary from that in the illustration. Subject to change. This Document, as well as the data, specifications and other information set forth in it, are the exclusive property of AVENTICS GmbH. It may not be reproduced or given to third parties without its consent. Only use the AVENTICS products shown in industrial applications. Read the product documentation completely and carefully before using the product. Observe the applicable regulations and laws of the respective country. When integrating the product into applications, note the system manufacturer's specifications for safe use of the product. The data specified only serve to describe the product. No statements concerning a certain condition or suitability for a certain application can be derived from our information. The information given does not release the user from the obligation of own judgment and verification. It must be remembered that the products are subject to a natural process of wear and aging.

The Emerson logo is a trademark and service mark of Emerson Electric Co. Brand logotype are registered trademarks of one of the Emerson family of companies. All other marks are the property of their respective owners. © 2017 Emerson Electric Co. All rights reserved.
2023-07-25



CONSIDER IT SOLVED™