

Series TaskMaster® TM5

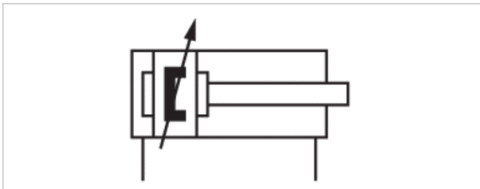


AVENTICS™ Series TaskMaster® TM5



Profile cylinder NFPA, TaskMaster®, Series TM5

- Bore size: Ø 1-1/2" - 4", Built-in mounting: NFPA MX5, Piston rod thread KK1
- NFPA
- Ø 38.1-101.6 mm
- Ports 3/8 NPTF 1/2 NPTF
- double-acting
- with magnetic piston
- Cushioning pneumatically
- Piston rod External thread



Standards

Working pressure min./max.

Ambient temperature min./max.

Medium temperature min./max.

Medium

Pressure for determining piston forces

NFPA

1.38 ... 10 bar

-23.33 ... 73.88 °C

-23.33 ... 73.88 °C

Compressed air

6.207 bar

Technical data

Piston Ø Piston rod thread Ports Piston rod Ø	38.1 mm 7/16-20 UNF 3/8 NPTF 16 mm	50.8 mm 7/16-20 UNF 3/8 NPTF 16 mm	63.5 mm 7/16-20 UNF 3/8 NPTF 16 mm	82.55 mm 3/4-16 UNF 1/2 NPTF 25.4 mm	101.6 mm 3/4-16 UNF 1/2 NPTF 25.4 mm
Stroke 25.4	R480698477	R480698491	R480698505	R480698519	R480698533
50.8	R480698478	R480698492	R480698506	R480698520	R480698534
76.2	R480698479	R480698493	R480698507	R480698521	R480698535
101.6	R480698480	R480698494	R480698508	R480698522	R480698536
127	R480698481	R480698495	R480698509	R480698523	R480698537
152.4	R480698482	R480698496	R480698510	R480698524	R480698538
177.8	R480698483	R480698497	R480698511	R480698525	R480698539
203.2	R480698484	R480698498	R480698512	R480698526	R480698540
254	R480698485	R480698499	R480698513	R480698527	R480698541
304.8	R480698486	R480698500	R480698514	R480698528	R480698542
355.6	R480698487	R480698501	R480698515	R480698529	R480698543
406.4	R480698488	R480698502	R480698516	R480698530	R480698544
457.2	R480698489	R480698503	R480698517	R480698531	R480698545

Piston Ø	38.1 mm	50.8 mm	63.5 mm	82.55 mm	101.6 mm
Piston rod thread	7/16-20 UNF	7/16-20 UNF	7/16-20 UNF	3/4-16 UNF	3/4-16 UNF
Ports	3/8 NPTF	3/8 NPTF	3/8 NPTF	1/2 NPTF	1/2 NPTF
Piston rod Ø	16 mm	16 mm	16 mm	25.4 mm	25.4 mm
609.6	R480698490	R480698504	R480698518	R480698532	R480698546

Technical data

Piston Ø	38.1 mm	50.8 mm	63.5 mm	82.55 mm	101.6 mm
Retracting piston force	391.46 N	943.06 N	1650.36 N	3007.12 N	4715.3 N
Extracting piston force	707.3 N	1258.9 N	1966.19 N	3322.95 N	5031.14 N
Cushioning energy	8 J	13 J	26 J	54 J	88 J
Speed max.	2 m/s	2 m/s	2 m/s	2 m/s	2 m/s
Weight 0 inch stroke	0.812 kg	1.05 kg	1.39 kg	2.83 kg	3.45 kg
Weight +1 inch stroke	0.082 kg	0.104 kg	0.122 kg	0.204 kg	0.236 kg
moving mass, external max.	50 kg	80 kg	135 kg	200 kg	320 kg

Technical information

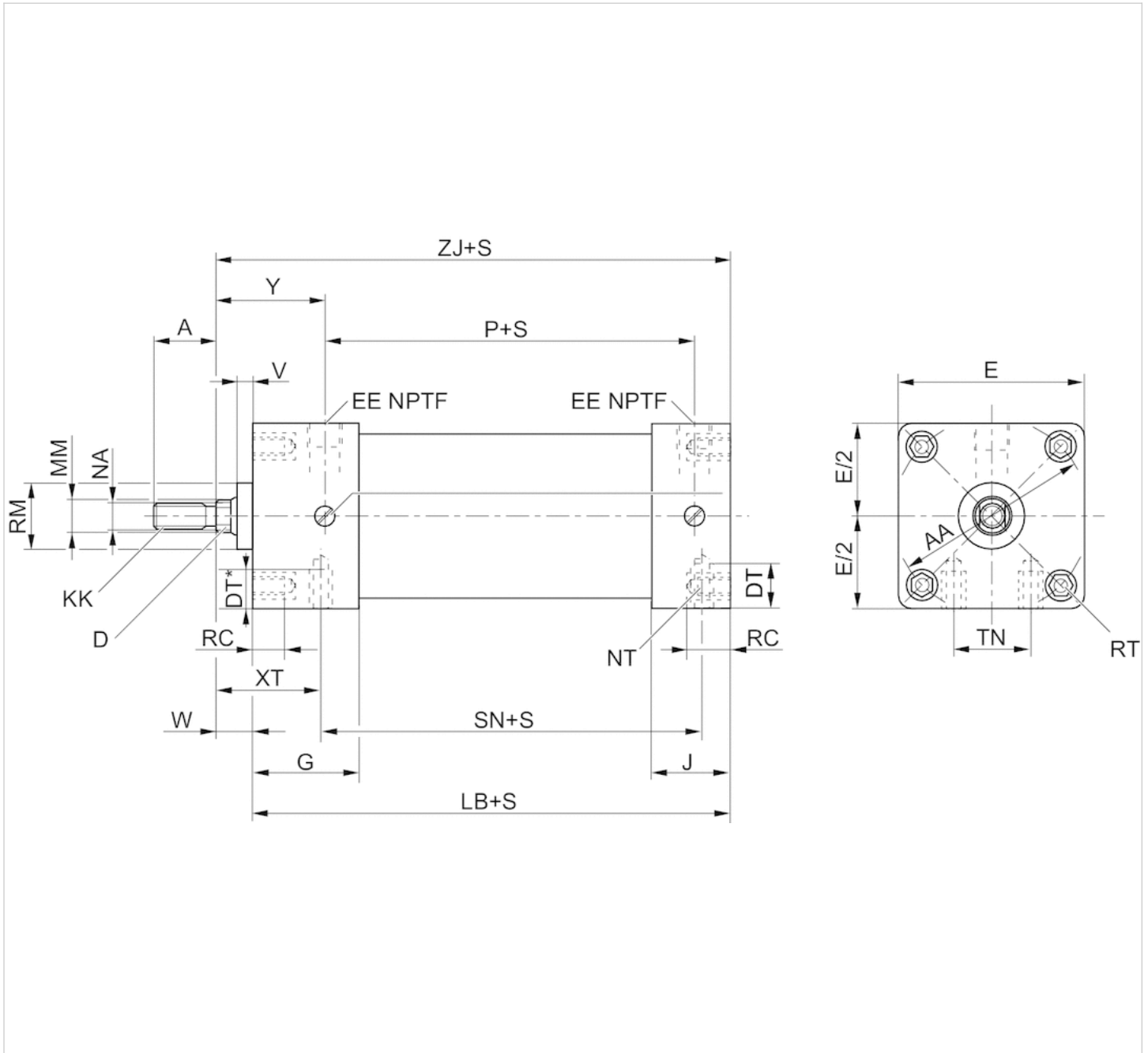
The pressure dew point must be at least 15 °C under ambient and medium temperature and may not exceed 3 °C .
The oil content of compressed air must remain constant during the life cycle.

Technical information

Material	
Cylinder tube	Aluminum, anodized
Piston rod	Carbon steel, chrome-plated
Front cover	Die-cast aluminum
End cover	Die-cast aluminum
Piston seal	Nitrile rubber
Cylinder tube seal	Polyester elastomer
Rod bearing	Sintered bronze, POM-coated
Cushion ring	Polyurethane
Nut for piston rod	Carbon steel, chrome-plated
Scraper	Polyurethane

Dimensions

Dimensions in inches



S = stroke

Dimensions not affected by rod diameter

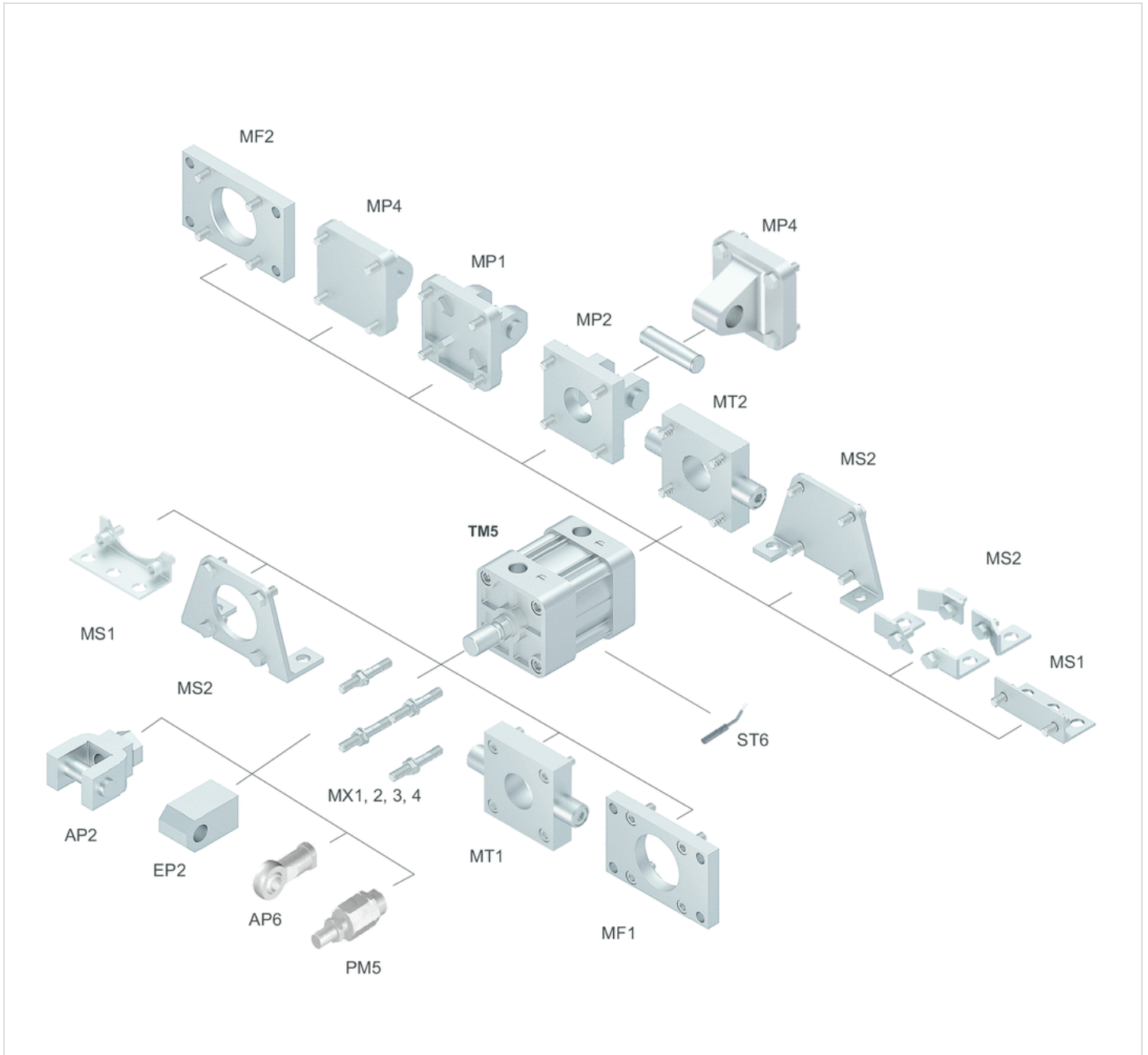
\varnothing [inch]	1 1/2	2	2 1/2	3.25	4
E	2.00	2.50	3.00	3.75	4.5
G	1.4	1.22	1.33	1.64	1.55
J	1.08	1.05	1.04	1.22	1.22
P	2.85	2.90	2.94	3.46	3.50
V	0.25	0.25	0.25	0.25	0.25
AA	2.02	2.60	3.10	3.90	4.7

∅ [inch]	1 1/2	2	2 1/2	3.25	4
LB	4.00	4.00	4.12	4.88	4.88
RC	0.47	0.50	0.50	0.53	0.62
RT	1/4-28	5/16-24	5/16-24	3/8-24	3/8-24
SN	2.75	2.75	2.88	3.38	3.38

Dimensions affected by rod diameter

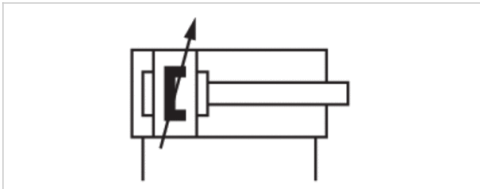
∅ [inch]	1 1/2	2	2 1/2	3 1/4	4
MM	0.625	0.625	0.625	1	1
W	0.63	0.63	0.63	0.75	0.75
EE	3/8	3/8	3/8	1/2	1/2
RM	1.12	1.12	1.12	1.5	1.5
ZJ	4.63	4.63	4.75	5.63	5.63
A	0.75	0.75	0.75	1.12	1.12
D	0.5	0.5	0.5	0.875	0.875
Y	1.35	1.26	1.36	1.66	1.59

Accessories overview



Profile cylinder NFPA, TaskMaster®, Series TM5

- Bore size: Ø 1-1/2" - 4", Built-in mounting: NFPA MX5, Piston rod thread KK2
- NFPA
- Ø 38.1-101.6 mm
- Ports 3/8 NPTF 1/2 NPTF
- double-acting
- with magnetic piston
- Cushioning pneumatically
- Piston rod External thread



Standards

Working pressure min./max.
 Ambient temperature min./max.
 Medium temperature min./max.
 Medium
 Pressure for determining piston forces

NFPA

1.38 ... 10 bar
 -23.33 ... 73.88 °C
 -23.33 ... 73.88 °C
 Compressed air
 6.207 bar

Technical data

Piston Ø Piston rod thread Ports Piston rod Ø	38.1 mm 1/2-20 UNF 3/8 NPTF 16 mm	50.8 mm 1/2-20 UNF 3/8 NPTF 16 mm	63.5 mm 1/2-20 UNF 3/8 NPTF 16 mm	82.55 mm 7/8-14 UNF 1/2 NPTF 25.4 mm	101.6 mm 7/8-14 UNF 1/2 NPTF 25.4 mm
Stroke 25.4	R480698547	R480698561	R480698575	R480698589	R480698603
50.8	R480698548	R480698562	R480698576	R480698590	R480698604
76.2	R480698549	R480698563	R480698577	R480698591	R480698605
101.6	R480698550	R480698564	R480698578	R480698592	R480698606
127	R480698551	R480698565	R480698579	R480698593	R480698607
152.4	R480698552	R480698566	R480698580	R480698594	R480698608
177.8	R480698553	R480698567	R480698581	R480698595	R480698609
203.2	R480698554	R480698568	R480698582	R480698596	R480698610
254	R480698555	R480698569	R480698583	R480698597	R480698611
304.8	R480698556	R480698570	R480698584	R480698598	R480698612
355.6	R480698557	R480698571	R480698585	R480698599	R480698613
406.4	R480698558	R480698572	R480698586	R480698600	R480698614
457.2	R480698559	R480698573	R480698587	R480698601	R480698615

Piston Ø	38.1 mm	50.8 mm	63.5 mm	82.55 mm	101.6 mm
Piston rod thread	1/2-20 UNF	1/2-20 UNF	1/2-20 UNF	7/8-14 UNF	7/8-14 UNF
Ports	3/8 NPTF	3/8 NPTF	3/8 NPTF	1/2 NPTF	1/2 NPTF
Piston rod Ø	16 mm	16 mm	16 mm	25.4 mm	25.4 mm
609.6	R480698560	R480698574	R480698588	R480698602	R480698616

Technical data

Piston Ø	38.1 mm	50.8 mm	63.5 mm	82.55 mm	101.6 mm
Retracting piston force	391.46 N	943.06 N	1650.36 N	3007.12 N	4715.3 N
Extracting piston force	707.3 N	1258.9 N	1966.19 N	3322.95 N	5031.14 N
Cushioning energy	8 J	13 J	26 J	54 J	88 J
Speed max.	2 m/s	2 m/s	2 m/s	2 m/s	2 m/s
Weight 0 inch stroke	0.812 kg	1.05 kg	1.39 kg	2.83 kg	3.45 kg
Weight +1 inch stroke	0.082 kg	0.104 kg	0.122 kg	0.204 kg	0.236 kg
moving mass, external max.	50 kg	80 kg	135 kg	200 kg	320 kg

Technical information

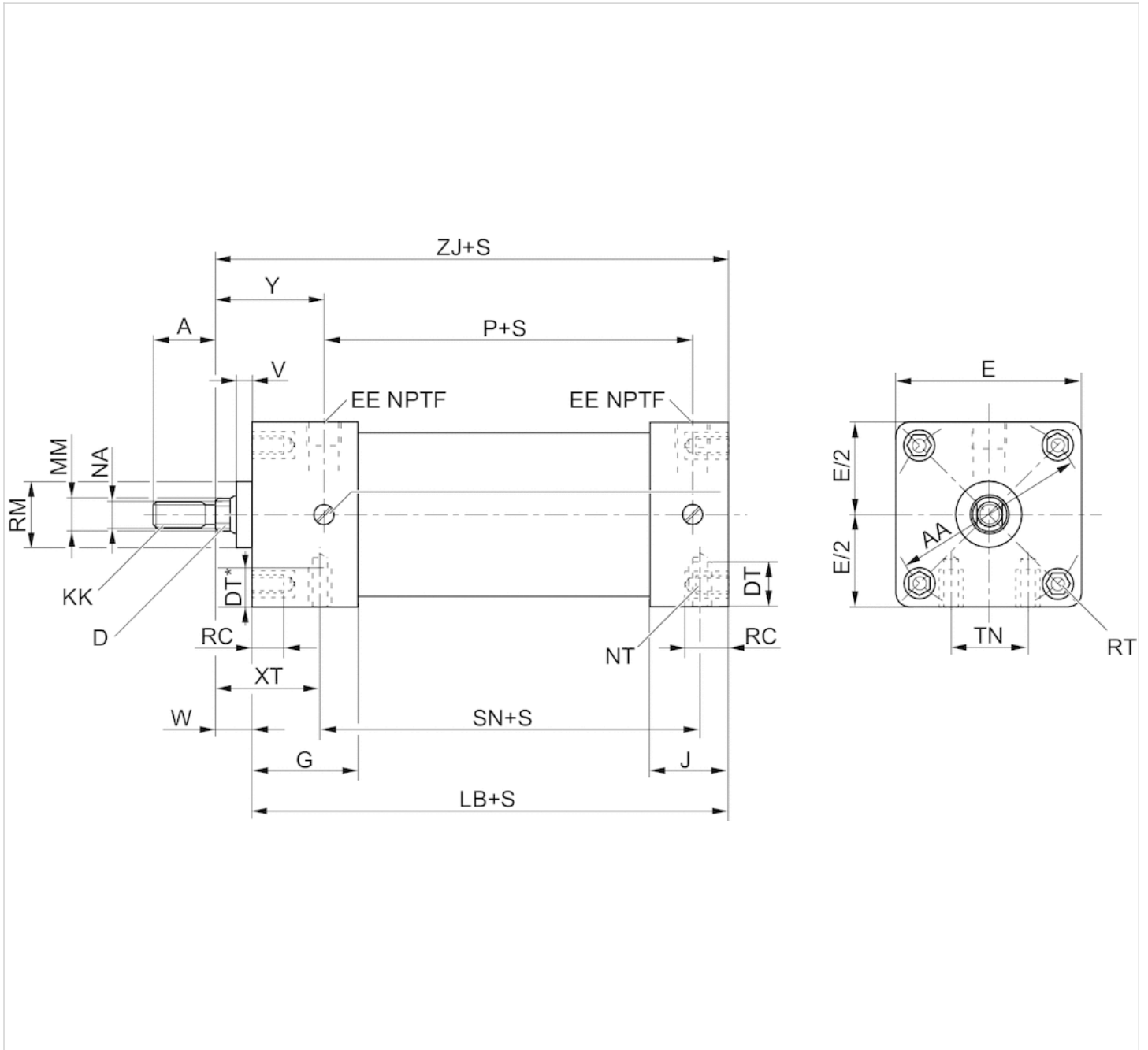
The pressure dew point must be at least 15 °C under ambient and medium temperature and may not exceed 3 °C .

Technical information

Material	
Cylinder tube	Aluminum, anodized
Piston rod	Carbon steel, chrome-plated
Front cover	Die-cast aluminum
End cover	Die-cast aluminum
Piston seal	Nitrile rubber
Cylinder tube seal	Polyester elastomer
Rod bearing	Sintered bronze, POM-coated
Cushion ring	Polyurethane
Nut for piston rod	Carbon steel, chrome-plated
Scraper	Polyurethane

Dimensions

Dimensions in inches



S = stroke

Dimensions not affected by rod diameter

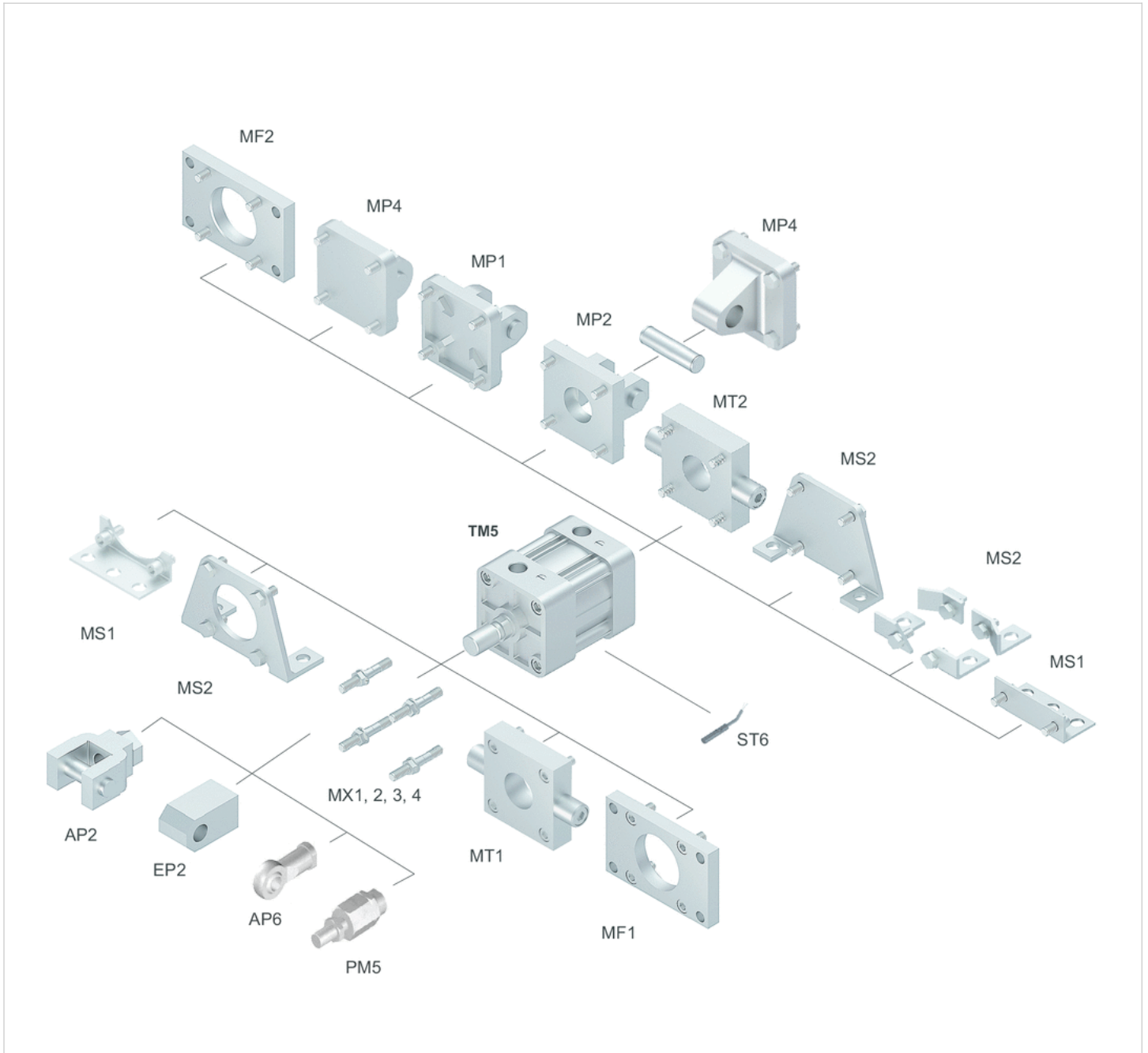
\varnothing [inch]	1 1/2	2	2 1/2	3.25	4
E	2.00	2.50	3.00	3.75	4.5
G	1.4	1.22	1.33	1.64	1.55
J	1.08	1.05	1.04	1.22	1.22
P	2.85	2.90	2.94	3.46	3.50
V	0.25	0.25	0.25	0.25	0.25
AA	2.02	2.60	3.10	3.90	4.7

∅ [inch]	1 1/2	2	2 1/2	3.25	4
LB	4.00	4.00	4.12	4.88	4.88
RC	0.47	0.50	0.50	0.53	0.62
RT	1/4-28	5/16-24	5/16-24	3/8-24	3/8-24
SN	2.75	2.75	2.88	3.38	3.38

Dimensions affected by rod diameter

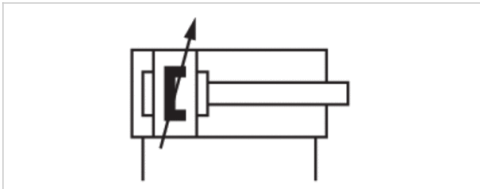
∅ [inch]	1 1/2	2	2 1/2	3 1/4	4
MM	0.625	0.625	0.625	1	1
W	0.63	0.63	0.63	0.75	0.75
EE	3/8	3/8	3/8	1/2	1/2
RM	1.12	1.12	1.12	1.5	1.5
ZJ	4.63	4.63	4.75	5.63	5.63
A	0.75	0.75	0.75	1.12	1.12
D	0.5	0.5	0.5	0.875	0.875
Y	1.35	1.26	1.36	1.66	1.59

Accessories overview



Profile cylinder NFPA, TaskMaster®, Series TM5

- Bore size: Ø 1-1/2" - 4", Built-in mounting: NFPA MS4, Piston rod thread KK1
- NFPA
- Ø 38.1-101.6 mm
- Ports 3/8 NPTF 1/2 NPTF
- double-acting
- with magnetic piston
- Cushioning pneumatically
- Piston rod External thread



Standards

Working pressure min./max.

Ambient temperature min./max.

Medium temperature min./max.

Medium

Pressure for determining piston forces

NFPA

1.38 ... 10 bar

-23.33 ... 73.88 °C

-23.33 ... 73.88 °C

Compressed air

6.207 bar

Technical data

Piston Ø Piston rod thread Ports Piston rod Ø	38.1 mm 7/16-20 UNF 3/8 NPTF 16 mm	50.8 mm 7/16-20 UNF 3/8 NPTF 16 mm	63.5 mm 7/16-20 UNF 3/8 NPTF 16 mm	82.55 mm 3/4-16 UNF 1/2 NPTF 25.4 mm	101.6 mm 3/4-16 UNF 1/2 NPTF 25.4 mm
Stroke 25.4	R480698757	R480698771	R480698785	R480698799	R480698813
50.8	R480698758	R480698772	R480698786	R480698800	R480698814
76.2	R480698759	R480698773	R480698787	R480698801	R480698815
101.6	R480698760	R480698774	R480698788	R480698802	R480698816
127	R480698761	R480698775	R480698789	R480698803	R480698817
152.4	R480698762	R480698776	R480698790	R480698804	R480698818
177.8	R480698763	R480698777	R480698791	R480698805	R480698819
203.2	R480698764	R480698778	R480698792	R480698806	R480698820
254	R480698765	R480698778	R480698793	R480698807	R480698821
304.8	R480698766	R480698780	R480698794	R480698808	R480698822
355.6	R480698767	R480698781	R480698795	R480698809	R480698823
406.4	R480698768	R480698782	R480698796	R480698810	R480698824
457.2	R480698769	R480698783	R480698797	R480698811	R480698825

Piston Ø	38.1 mm	50.8 mm	63.5 mm	82.55 mm	101.6 mm
Piston rod thread	7/16-20 UNF	7/16-20 UNF	7/16-20 UNF	3/4-16 UNF	3/4-16 UNF
Ports	3/8 NPTF	3/8 NPTF	3/8 NPTF	1/2 NPTF	1/2 NPTF
Piston rod Ø	16 mm	16 mm	16 mm	25.4 mm	25.4 mm
609.6	R480698770	R480698784	R480698798	R480698812	R480698826

Technical data

Piston Ø	38.1 mm	50.8 mm	63.5 mm	82.55 mm	101.6 mm
Retracting piston force	391.46 N	943.06 N	1650.36 N	3007.12 N	4715.3 N
Extracting piston force	707.3 N	1258.9 N	1966.19 N	3322.95 N	5031.14 N
Cushioning energy	8 J	13 J	26 J	54 J	88 J
Speed max.	2 m/s	2 m/s	2 m/s	2 m/s	2 m/s
Weight 0 inch stroke	0.812 kg	1.05 kg	1.39 kg	2.83 kg	3.45 kg
Weight +1 inch stroke	0.082 kg	0.104 kg	0.122 kg	0.204 kg	0.236 kg
moving mass, external max.	50 kg	80 kg	135 kg	200 kg	320 kg

Technical information

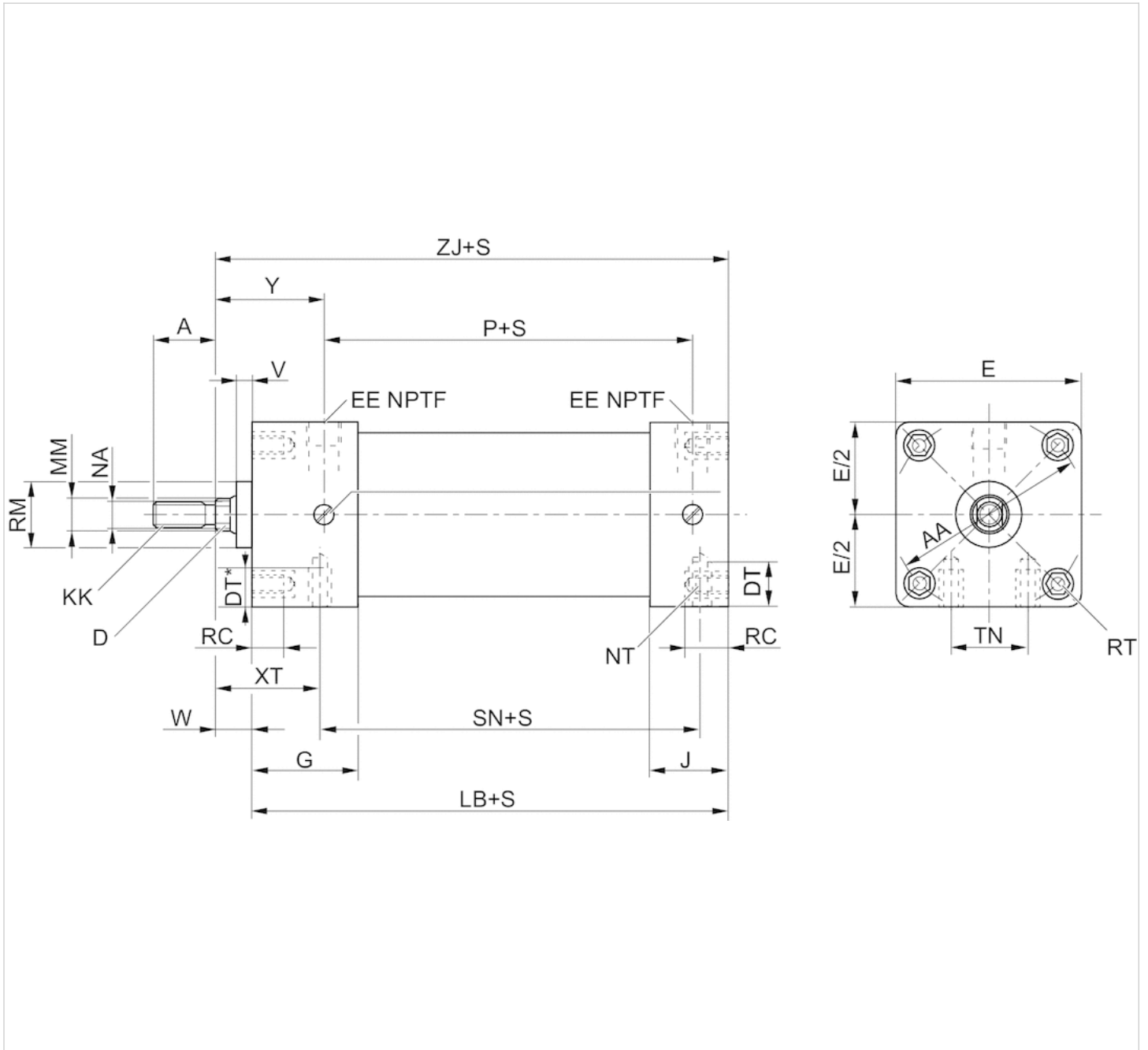
The pressure dew point must be at least 15 °C under ambient and medium temperature and may not exceed 3 °C .

Technical information

Material	
Cylinder tube	Aluminum, anodized
Piston rod	Carbon steel, chrome-plated
Front cover	Die-cast aluminum
End cover	Die-cast aluminum
Piston seal	Nitrile rubber
Cylinder tube seal	Polyester elastomer
Rod bearing	Sintered bronze, POM-coated
Cushion ring	Polyurethane
Nut for piston rod	Carbon steel, chrome-plated
Scraper	Polyurethane

Dimensions

Dimensions in inches



S = stroke

Dimensions not affected by rod diameter

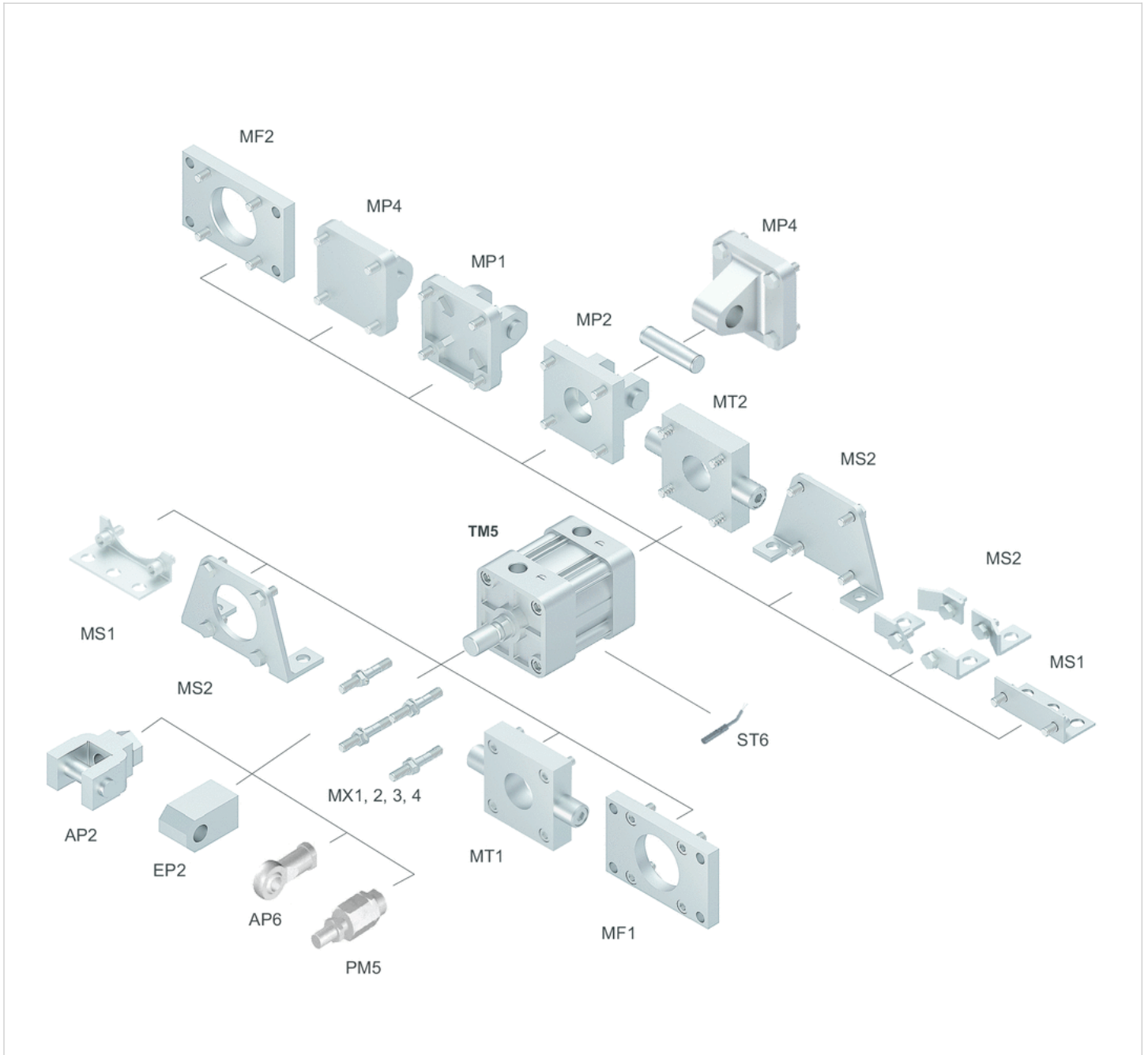
\varnothing [inch]	1 1/2	2	2 1/2	3.25	4
E	2.00	2.50	3.00	3.75	4.5
G	1.4	1.22	1.33	1.64	1.55
J	1.08	1.05	1.04	1.22	1.22
P	2.85	2.90	2.94	3.46	3.50
V	0.25	0.25	0.25	0.25	0.25
AA	2.02	2.60	3.10	3.90	4.7

∅ [inch]	1 1/2	2	2 1/2	3.25	4
LB	4.00	4.00	4.12	4.88	4.88
NT	1/4-20	5/16-18	3/8-16	1/2-13	1/2-13
RC	0.47	0.50	0.50	0.53	0.62
RT	1/4-28	5/16-24	5/16-24	3/8-24	3/8-24
SN	2.75	2.75	2.88	3.38	3.38
TN	0.63	0.88	1.25	1.5	2.06

Dimensions affected by rod diameter

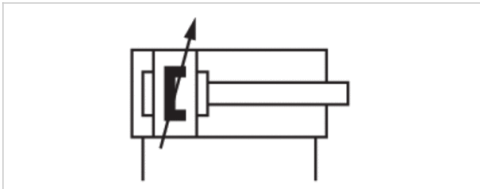
∅ [inch]	1 1/2	2	2 1/2	3 1/4	4
MM	0.625	0.625	0.625	1	1
W	0.63	0.63	0.63	0.75	0.75
EE	3/8	3/8	3/8	1/2	1/2
RM	1.12	1.12	1.12	1.5	1.5
DT	0.31	0.34	0.44	0.50	0.64
ZJ	4.63	4.63	4.75	5.63	5.63
A	0.75	0.75	0.75	1.12	1.12
D	0.5	0.5	0.5	0.875	0.875
Y	1.35	1.26	1.36	1.66	1.59
XT	1.44	1.44	1.44	1.69	1.69

Accessories overview



Profile cylinder NFPA, TaskMaster®, Series TM5

- Bore size: Ø 1-1/2" - 4", Built-in mounting: NFPA MS4, Piston rod thread KK2
- NFPA
- Ø 38.1-101.6 mm
- Ports 3/8 NPTF 1/2 NPTF
- double-acting
- with magnetic piston
- Cushioning pneumatically
- Piston rod External thread



Standards

- Working pressure min./max.
- Ambient temperature min./max.
- Medium temperature min./max.
- Medium
- Pressure for determining piston forces

NFPA

- 1.38 ... 10 bar
- 23.33 ... 73.88 °C
- 23.33 ... 73.88 °C
- Compressed air
- 6.207 bar

Technical data

Piston Ø Piston rod thread Ports Piston rod Ø	38.1 mm 1/2-20 UNF 3/8 NPTF 16 mm	50.8 mm 1/2-20 UNF 3/8 NPTF 16 mm	63.5 mm 1/2-20 UNF 3/8 NPTF 16 mm	82.55 mm 7/8-14 UNF 1/2 NPTF 25.4 mm	101.6 mm 7/8-14 UNF 1/2 NPTF 25.4 mm
Stroke 25.4	R480698827	R480698841	R480698855	R480698869	R480698883
50.8	R480698828	R480698842	R480698856	R480698870	R480698884
76.2	R480698829	R480698843	R480698857	R480698871	R480698885
101.6	R480698830	R480698844	R480698858	R480698872	R480698886
127	R480698831	R480698845	R480698859	R480698873	R480698887
152.4	R480698832	R480698846	R480698860	R480698874	R480698888
177.8	R480698833	R480698847	R480698861	R480698875	R480698889
203.2	R480698834	R480698848	R480698862	R480698876	R480698890
254	R480698835	R480698849	R480698863	R480698877	R480698891
304.8	R480698836	R480698850	R480698864	R480698878	R480698892
355.6	R480698837	R480698851	R480698865	R480698879	R480698893
406.4	R480698838	R480698852	R480698866	R480698880	R480698894
457.2	R480698839	R480698853	R480698867	R480698881	R480698895

Piston Ø	38.1 mm	50.8 mm	63.5 mm	82.55 mm	101.6 mm
Piston rod thread	1/2-20 UNF	1/2-20 UNF	1/2-20 UNF	7/8-14 UNF	7/8-14 UNF
Ports	3/8 NPTF	3/8 NPTF	3/8 NPTF	1/2 NPTF	1/2 NPTF
Piston rod Ø	16 mm	16 mm	16 mm	25.4 mm	25.4 mm
609.6	R480698840	R480698854	R480698868	R480698882	R480698896

Technical data

Piston Ø	38.1 mm	50.8 mm	63.5 mm	82.55 mm	101.6 mm
Retracting piston force	391.46 N	943.06 N	1650.36 N	3007.12 N	4715.3 N
Extracting piston force	707.3 N	1258.9 N	1966.19 N	3322.95 N	5031.14 N
Cushioning energy	8 J	13 J	26 J	54 J	88 J
Speed max.	2 m/s	2 m/s	2 m/s	2 m/s	2 m/s
Weight 0 inch stroke	0.812 kg	1.05 kg	1.39 kg	2.83 kg	3.45 kg
Weight +1 inch stroke	0.082 kg	0.104 kg	0.122 kg	0.204 kg	0.236 kg
moving mass, external max.	50 kg	80 kg	135 kg	200 kg	320 kg

Technical information

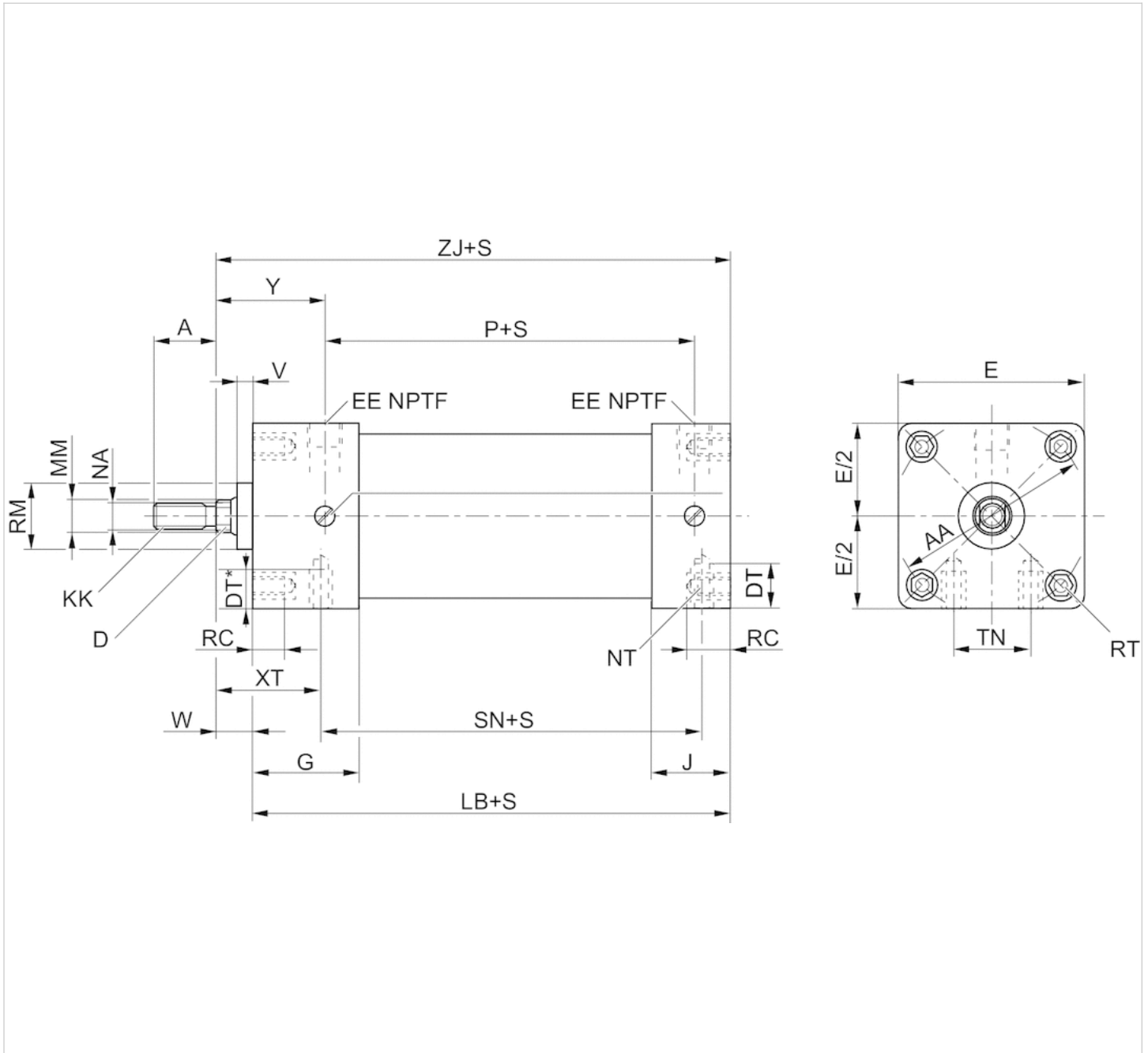
The pressure dew point must be at least 15 °C under ambient and medium temperature and may not exceed 3 °C .

Technical information

Material	
Cylinder tube	Aluminum, anodized
Piston rod	Carbon steel, chrome-plated
Front cover	Die-cast aluminum
End cover	Die-cast aluminum
Piston seal	Nitrile rubber
Cylinder tube seal	Polyester elastomer
Rod bearing	Sintered bronze, POM-coated
Cushion ring	Polyurethane
Nut for piston rod	Carbon steel, chrome-plated
Scraper	Polyurethane

Dimensions

Dimensions in inches



S = stroke

Dimensions not affected by rod diameter

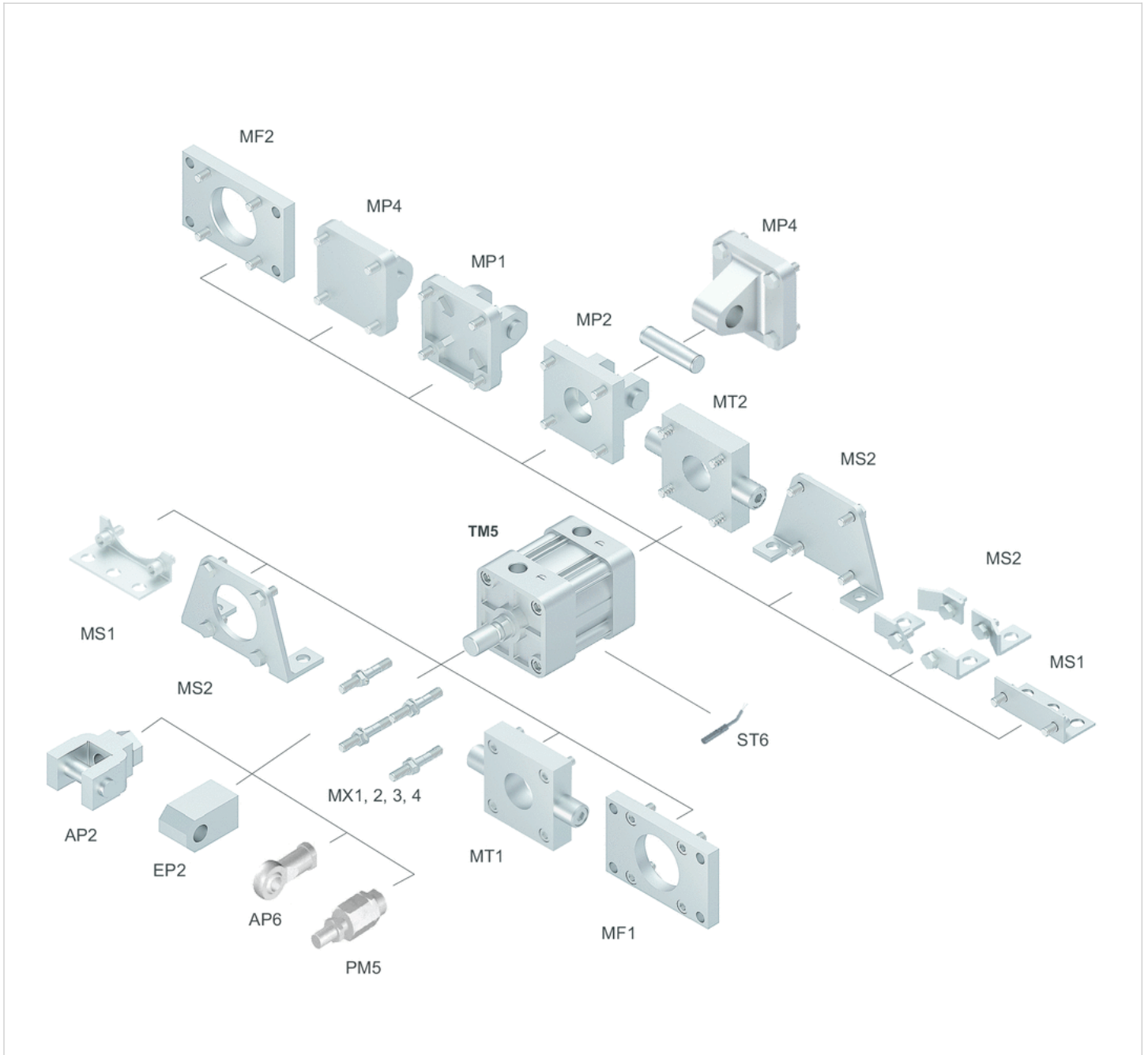
\varnothing [inch]	1 1/2	2	2 1/2	3.25	4
E	2.00	2.50	3.00	3.75	4.5
G	1.4	1.22	1.33	1.64	1.55
J	1.08	1.05	1.04	1.22	1.22
P	2.85	2.90	2.94	3.46	3.50
V	0.25	0.25	0.25	0.25	0.25
AA	2.02	2.60	3.10	3.90	4.7

∅ [inch]	1 1/2	2	2 1/2	3.25	4
LB	4.00	4.00	4.12	4.88	4.88
NT	1/4-20	5/16-18	3/8-16	1/2-13	1/2-13
RC	0.47	0.50	0.50	0.53	0.62
RT	1/4-28	5/16-24	5/16-24	3/8-24	3/8-24
SN	2.75	2.75	2.88	3.38	3.38
TN	0.63	0.88	1.25	1.5	2.06

Dimensions affected by rod diameter

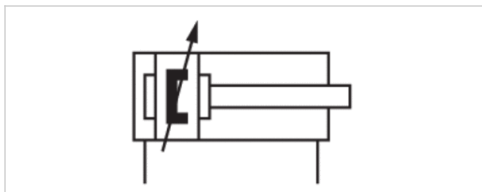
∅ [inch]	1 1/2	2	2 1/2	3 1/4	4
MM	0.625	0.625	0.625	1	1
W	0.63	0.63	0.63	0.75	0.75
EE	3/8	3/8	3/8	1/2	1/2
RM	1.12	1.12	1.12	1.5	1.5
DT	0.31	0.34	0.44	0.50	0.64
ZJ	4.63	4.63	4.75	5.63	5.63
A	0.75	0.75	0.75	1.12	1.12
D	0.5	0.5	0.5	0.875	0.875
Y	1.35	1.26	1.36	1.66	1.59
XT	1.44	1.44	1.44	1.69	1.69

Accessories overview



Tie rod cylinder NFFA, TaskMaster®, Series TM5

- Bore size: Ø 1-1/2" - 4", Built-in mounting: NFFA MX5, Piston rod thread KK1
- NFFA
- Ø 38.1-101.6 mm
- Ports 3/8 NPTF 1/2 NPTF
- double-acting
- with magnetic piston
- Cushioning pneumatically
- Piston rod External thread



Standards

- Working pressure min./max.
- Ambient temperature min./max.
- Medium temperature min./max.
- Medium
- Pressure for determining piston forces

NFFA

- 1.38 ... 10 bar
- 23.33 ... 73.88 °C
- 23.33 ... 73.88 °C
- Compressed air
- 6.207 bar

Technical data

Piston Ø Piston rod thread Ports Piston rod Ø	38.1 mm 7/16-20 UNF 3/8 NPTF 16 mm	50.8 mm 7/16-20 UNF 3/8 NPTF 16 mm	63.5 mm 7/16-20 UNF 3/8 NPTF 16 mm	82.55 mm 3/4-16 UNF 1/2 NPTF 25.4 mm	101.6 mm 3/4-16 UNF 1/2 NPTF 25.4 mm
Stroke 25.4	R480698617	R480698631	R480698645	R480698659	R480698673
50.8	R480698618	R480698632	R480698646	R480698660	R480698674
76.2	R480698619	R480698633	R480698647	R480698661	R480698675
101.6	R480698620	R480698634	R480698648	R480698662	R480698676
127	R480698621	R480698635	R480698649	R480698663	R480698677
152.4	R480698622	R480698636	R480698650	R480698664	R480698678
177.8	R480698623	R480698637	R480698651	R480698665	R480698679
203.2	R480698624	R480698638	R480698652	R480698666	R480698680
254	R480698625	R480698639	R480698653	R480698667	R480698681
304.8	R480698626	R480698640	R480698654	R480698668	R480698682
355.6	R480698627	R480698641	R480698655	R480698669	R480698683
406.4	R480698628	R480698642	R480698656	R480698670	R480698684
457.2	R480698629	R480698643	R480698657	R480698671	R480698685

Piston Ø	38.1 mm	50.8 mm	63.5 mm	82.55 mm	101.6 mm
Piston rod thread	7/16-20 UNF	7/16-20 UNF	7/16-20 UNF	3/4-16 UNF	3/4-16 UNF
Ports	3/8 NPTF	3/8 NPTF	3/8 NPTF	1/2 NPTF	1/2 NPTF
Piston rod Ø	16 mm	16 mm	16 mm	25.4 mm	25.4 mm
609.6	R480698630	R480698644	R480698658	R480698672	R480698686

Technical data

Piston Ø	38.1 mm	50.8 mm	63.5 mm	82.55 mm	101.6 mm
Retracting piston force	391.46 N	943.06 N	1650.36 N	3007.12 N	4715.3 N
Extracting piston force	707.3 N	1258.9 N	1966.19 N	3322.95 N	5031.14 N
Cushioning energy	8 J	13 J	26 J	54 J	88 J
Speed max.	2 m/s	2 m/s	2 m/s	2 m/s	2 m/s
Weight 0 inch stroke	0.798 kg	1 kg	1.33 kg	2.76 kg	3.32 kg
Weight +1 inch stroke	0.086 kg	0.1 kg	0.104 kg	0.209 kg	0.222 kg
moving mass, external max.	50 kg	80 kg	135 kg	200 kg	320 kg

Technical information

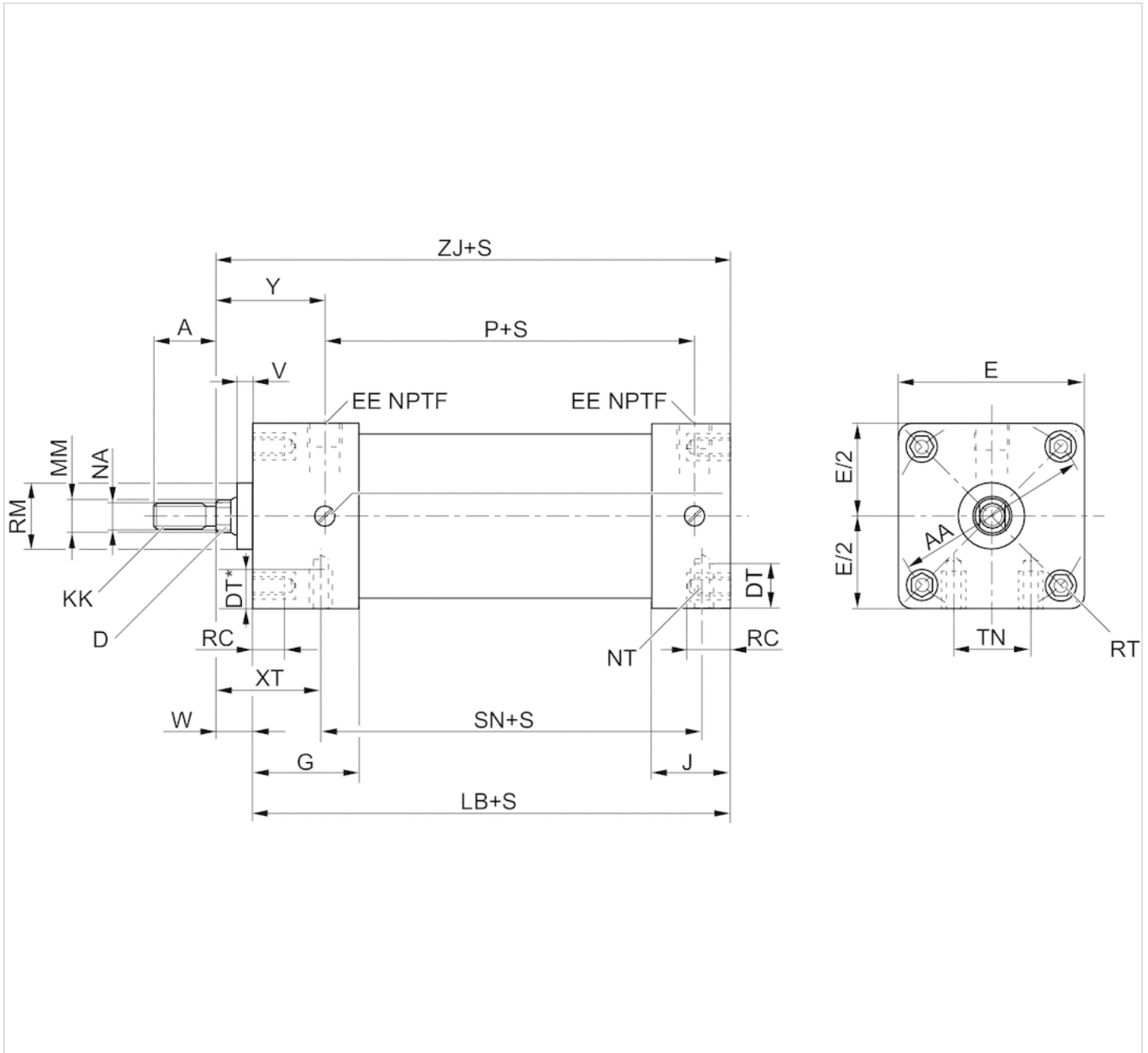
The pressure dew point must be at least 15 °C under ambient and medium temperature and may not exceed 3 °C .
The oil content of compressed air must remain constant during the life cycle.

Technical information

Material	
Cylinder tube	Aluminum, anodized
Piston rod	Carbon steel, chrome-plated
Front cover	Die-cast aluminum
End cover	Die-cast aluminum
Piston seal	Nitrile rubber
Cylinder tube seal	Polyester elastomer
Rod bearing	Sintered bronze, POM-coated
Cushion ring	Polyurethane
Nut for piston rod	Carbon steel, chrome-plated
Scraper	Polyurethane

Dimensions

Dimensions in inches



S = stroke

Dimensions not affected by rod diameter

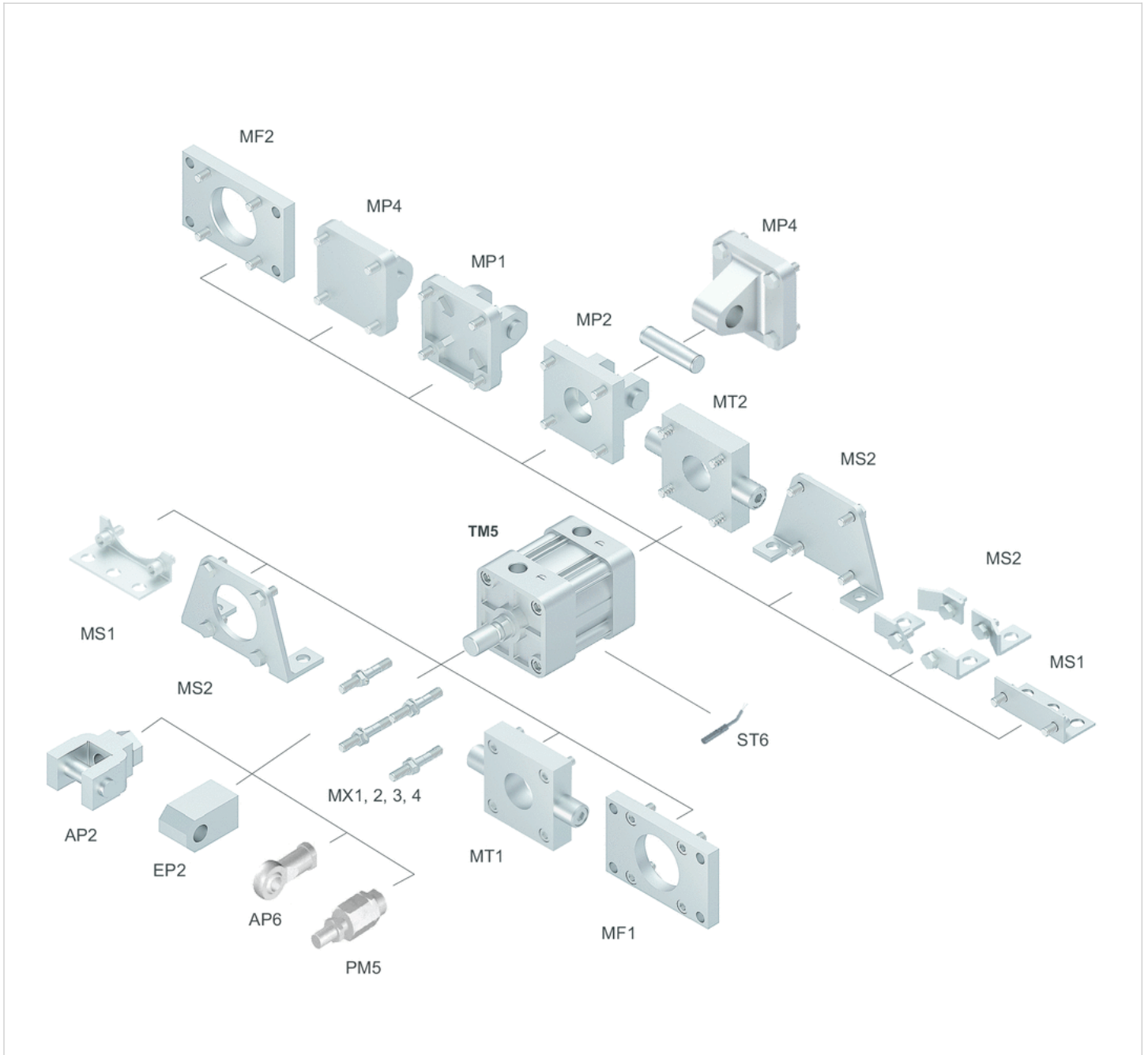
Ø [inch]	1 1/2	2	2 1/2	3.25	4
E	2.00	2.50	3.00	3.75	4.5
G	1.4	1.22	1.33	1.64	1.55
J	1.08	1.05	1.04	1.22	1.22
P	2.85	2.90	2.94	3.46	3.50
V	0.25	0.25	0.25	0.25	0.25
AA	2.02	2.60	3.10	3.90	4.7

∅ [inch]	1 1/2	2	2 1/2	3.25	4
LB	4.00	4.00	4.12	4.88	4.88
RC	0.47	0.50	0.50	0.53	0.62
RT	1/4-28	5/16-24	5/16-24	3/8-24	3/8-24
SN	2.75	2.75	2.88	3.38	3.38

Dimensions affected by rod diameter

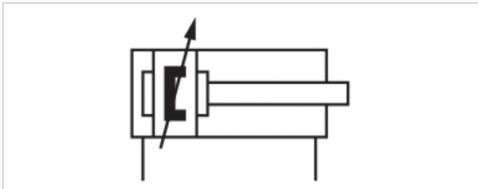
∅ [inch]	1 1/2	2	2 1/2	3 1/4	4
MM	0.625	0.625	0.625	1	1
W	0.63	0.63	0.63	0.75	0.75
EE	3/8	3/8	3/8	1/2	1/2
RM	1.12	1.12	1.12	1.5	1.5
ZJ	4.63	4.63	4.75	5.63	5.63
A	0.75	0.75	0.75	1.12	1.12
D	0.5	0.5	0.5	0.875	0.875
Y	1.35	1.26	1.36	1.66	1.59

Accessories overview



Tie rod cylinder NFFA, TaskMaster®, Series TM5

- Bore size: Ø 1-1/2" - 4", Built-in mounting: NFFA MX5, Piston rod thread KK2
- NFFA
- Ø 38.1-101.6 mm
- Ports 3/8 NPTF 1/2 NPTF
- double-acting
- with magnetic piston
- Cushioning pneumatically
- Piston rod External thread



Standards

Working pressure min./max.
Ambient temperature min./max.
Medium temperature min./max.
Medium
Pressure for determining piston forces

NFFA

1.38 ... 10 bar
-23.33 ... 73.88 °C
-23.33 ... 73.88 °C
Compressed air
6.207 bar

Technical data

Piston Ø Piston rod thread Ports Piston rod Ø	38.1 mm 1/2-20 UNF 3/8 NPTF 16 mm	50.8 mm 1/2-20 UNF 3/8 NPTF 16 mm	63.5 mm 1/2-20 UNF 3/8 NPTF 16 mm	82.55 mm 7/8-14 UNF 1/2 NPTF 25.4 mm	101.6 mm 7/8-14 UNF 1/2 NPTF 25.4 mm
Stroke 25.4	R480698687	R480698701	R480698715	R480698729	R480698743
50.8	R480698688	R480698702	R480698716	R480698730	R480698744
76.2	R480698689	R480698703	R480698717	R480698731	R480698745
101.6	R480698690	R480698704	R480698718	R480698732	R480698746
127	R480698691	R480698705	R480698719	R480698733	R480698747
152.4	R480698692	R480698706	R480698720	R480698734	R480698748
177.8	R480698693	R480698707	R480698721	R480698735	R480698749
203.2	R480698694	R480698708	R480698722	R480698736	R480698750
254	R480698695	R480698709	R480698723	R480698737	R480698751
304.8	R480698696	R480698710	R480698724	R480698738	R480698752
355.6	R480698697	R480698711	R480698725	R480698739	R480698753
406.4	R480698698	R480698712	R480698726	R480698740	R480698754
457.2	R480698699	R480698713	R480698727	R480698741	R480698755

Piston Ø	38.1 mm	50.8 mm	63.5 mm	82.55 mm	101.6 mm
Piston rod thread	1/2-20 UNF	1/2-20 UNF	1/2-20 UNF	7/8-14 UNF	7/8-14 UNF
Ports	3/8 NPTF	3/8 NPTF	3/8 NPTF	1/2 NPTF	1/2 NPTF
Piston rod Ø	16 mm	16 mm	16 mm	25.4 mm	25.4 mm
609.6	R480698700	R480698714	R480698728	R480698742	R480698756

Technical data

Piston Ø	38.1 mm	50.8 mm	63.5 mm	82.55 mm	101.6 mm
Retracting piston force	391.46 N	943.06 N	1650.36 N	3007.12 N	4715.3 N
Extracting piston force	707.3 N	1258.9 N	1966.19 N	3322.95 N	5031.14 N
Cushioning energy	8 J	13 J	26 J	54 J	88 J
Speed max.	2 m/s	2 m/s	2 m/s	2 m/s	2 m/s
Weight 0 inch stroke	0.798 kg	1 kg	1.33 kg	2.76 kg	3.32 kg
Weight +1 inch stroke	0.086 kg	0.1 kg	0.104 kg	0.209 kg	0.222 kg
moving mass, external max.	50 kg	80 kg	135 kg	200 kg	320 kg

Technical information

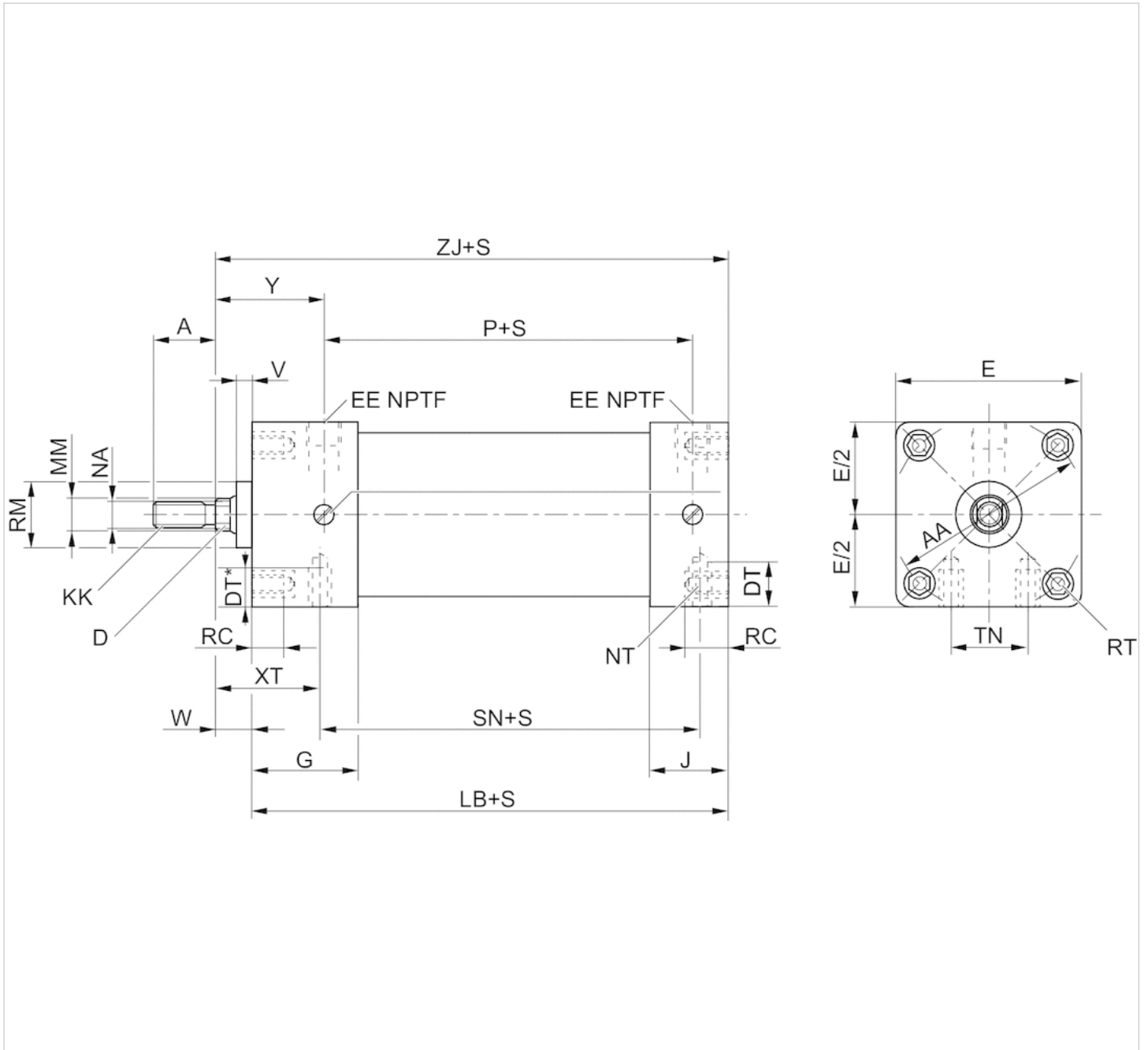
The pressure dew point must be at least 15 °C under ambient and medium temperature and may not exceed 3 °C .

Technical information

Material	
Cylinder tube	Aluminum, anodized
Piston rod	Carbon steel, chrome-plated
Front cover	Die-cast aluminum
End cover	Die-cast aluminum
Piston seal	Nitrile rubber
Cylinder tube seal	Polyester elastomer
Rod bearing	Sintered bronze, POM-coated
Cushion ring	Polyurethane
Nut for piston rod	Carbon steel, chrome-plated
Scraper	Polyurethane

Dimensions

Dimensions in inches



S = stroke

Dimensions not affected by rod diameter

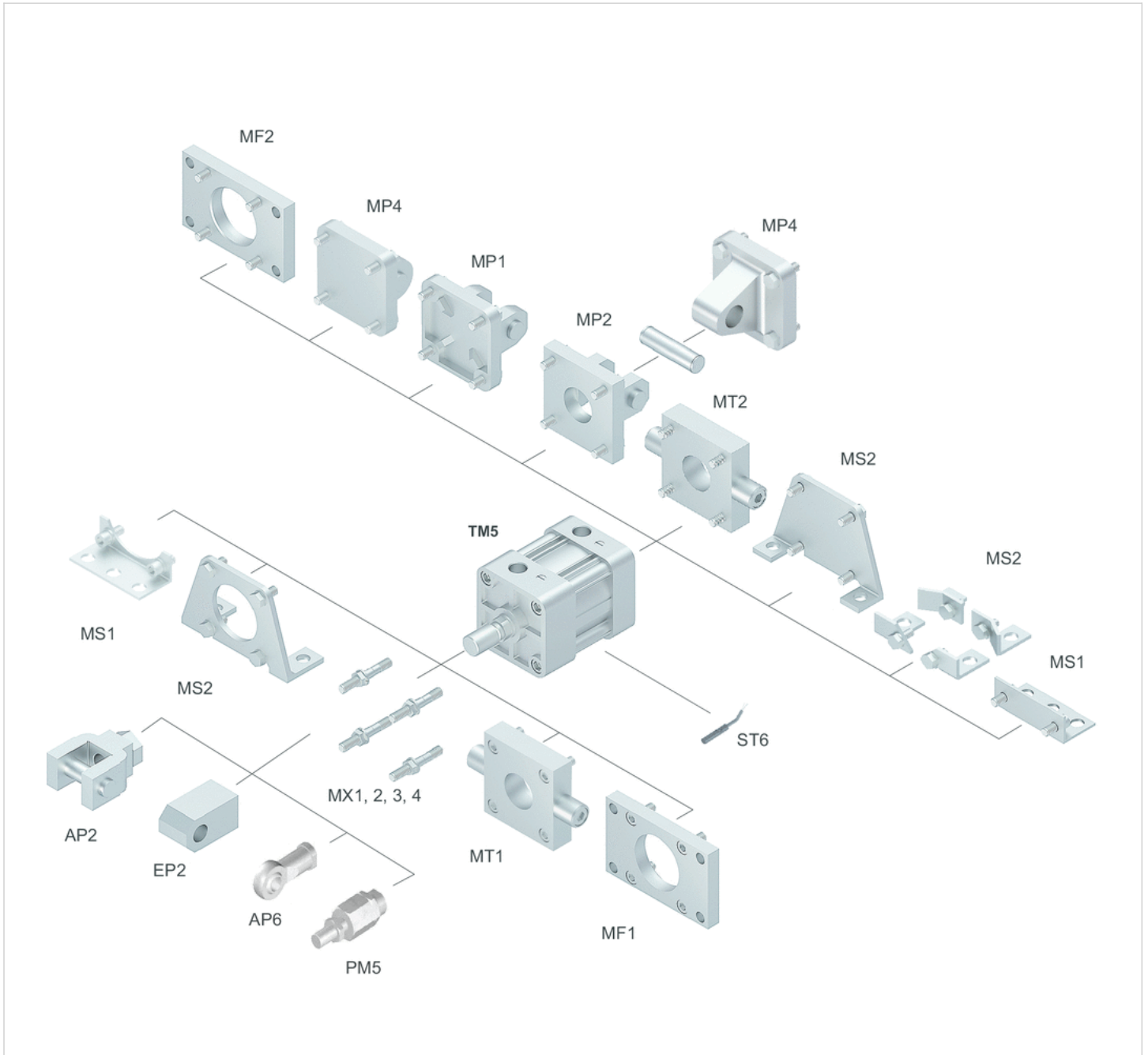
Ø [inch]	1 1/2	2	2 1/2	3.25	4
E	2.00	2.50	3.00	3.75	4.5
G	1.4	1.22	1.33	1.64	1.55
J	1.08	1.05	1.04	1.22	1.22
P	2.85	2.90	2.94	3.46	3.50
V	0.25	0.25	0.25	0.25	0.25
AA	2.02	2.60	3.10	3.90	4.7

∅ [inch]	1 1/2	2	2 1/2	3.25	4
LB	4.00	4.00	4.12	4.88	4.88
RC	0.47	0.50	0.50	0.53	0.62
RT	1/4-28	5/16-24	5/16-24	3/8-24	3/8-24
SN	2.75	2.75	2.88	3.38	3.38

Dimensions affected by rod diameter

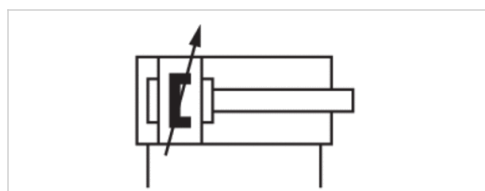
∅ [inch]	1 1/2	2	2 1/2	3 1/4	4
MM	0.625	0.625	0.625	1	1
W	0.63	0.63	0.63	0.75	0.75
EE	3/8	3/8	3/8	1/2	1/2
RM	1.12	1.12	1.12	1.5	1.5
ZJ	4.63	4.63	4.75	5.63	5.63
A	0.75	0.75	0.75	1.12	1.12
D	0.5	0.5	0.5	0.875	0.875
Y	1.35	1.26	1.36	1.66	1.59

Accessories overview



Tie rod cylinder NFFA, TaskMaster®, Series TM5

- Bore size: Ø 1-1/2" - 4", Built-in mounting: NFFA MS4, Piston rod thread KK1
- NFFA
- Ø 38.1-101.6 mm
- Ports 3/8 NPTF 1/2 NPTF
- double-acting
- with magnetic piston
- Cushioning pneumatically
- Piston rod External thread



Standards

Working pressure min./max.

Ambient temperature min./max.

Medium temperature min./max.

Medium

Pressure for determining piston forces

NFFA

1.38 ... 10 bar

-23.33 ... 73.88 °C

-23.33 ... 73.88 °C

Compressed air

6.207 bar

Technical data

Piston Ø Piston rod thread Ports Piston rod Ø	38.1 mm 7/16-20 UNF 3/8 NPTF 16 mm	50.8 mm 7/16-20 UNF 3/8 NPTF 16 mm	63.5 mm 7/16-20 UNF 3/8 NPTF 16 mm	82.55 mm 3/4-16 UNF 1/2 NPTF 25.4 mm	101.6 mm 3/4-16 UNF 1/2 NPTF 25.4 mm
Stroke 25.4	R480698897	R480698911	R480698925	R480698939	R480698953
50.8	R480698898	R480698912	R480698926	R480698940	R480698954
76.2	R480698899	R480698913	R480698927	R480698941	R480698955
101.6	R480698900	R480698914	R480698928	R480698942	R480698956
127	R480698901	R480698915	R480698929	R480698943	R480698957
152.4	R480698902	R480698916	R480698930	R480698944	R480698958
177.8	R480698903	R480698917	R480698931	R480698945	R480698959
203.2	R480698904	R480698918	R480698932	R480698946	R480698960
254	R480698905	R480698919	R480698933	R480698947	R480698961
304.8	R480698906	R480698920	R480698934	R480698948	R480698962
355.6	R480698907	R480698921	R480698935	R480698949	R480698963
406.4	R480698908	R480698922	R480698936	R480698950	R480698964
457.2	R480698909	R480698923	R480698937	R480698951	R480698965

Piston Ø	38.1 mm	50.8 mm	63.5 mm	82.55 mm	101.6 mm
Piston rod thread	7/16-20 UNF	7/16-20 UNF	7/16-20 UNF	3/4-16 UNF	3/4-16 UNF
Ports	3/8 NPTF	3/8 NPTF	3/8 NPTF	1/2 NPTF	1/2 NPTF
Piston rod Ø	16 mm	16 mm	16 mm	25.4 mm	25.4 mm
609.6	R480698910	R480698924	R480698938	R480698952	R480698966

Technical data

Piston Ø	38.1 mm	50.8 mm	63.5 mm	82.55 mm	101.6 mm
Retracting piston force	391.46 N	943.06 N	1650.36 N	3007.12 N	4715.3 N
Extracting piston force	707.3 N	1258.9 N	1966.19 N	3322.95 N	5031.14 N
Cushioning energy	8 J	13 J	26 J	54 J	88 J
Speed max.	2 m/s	2 m/s	2 m/s	2 m/s	2 m/s
Weight 0 inch stroke	0.798 kg	1 kg	1.33 kg	2.76 kg	3.32 kg
Weight +1 inch stroke	0.086 kg	0.1 kg	0.104 kg	0.209 kg	0.222 kg
moving mass, external max.	50 kg	80 kg	135 kg	200 kg	320 kg

Technical information

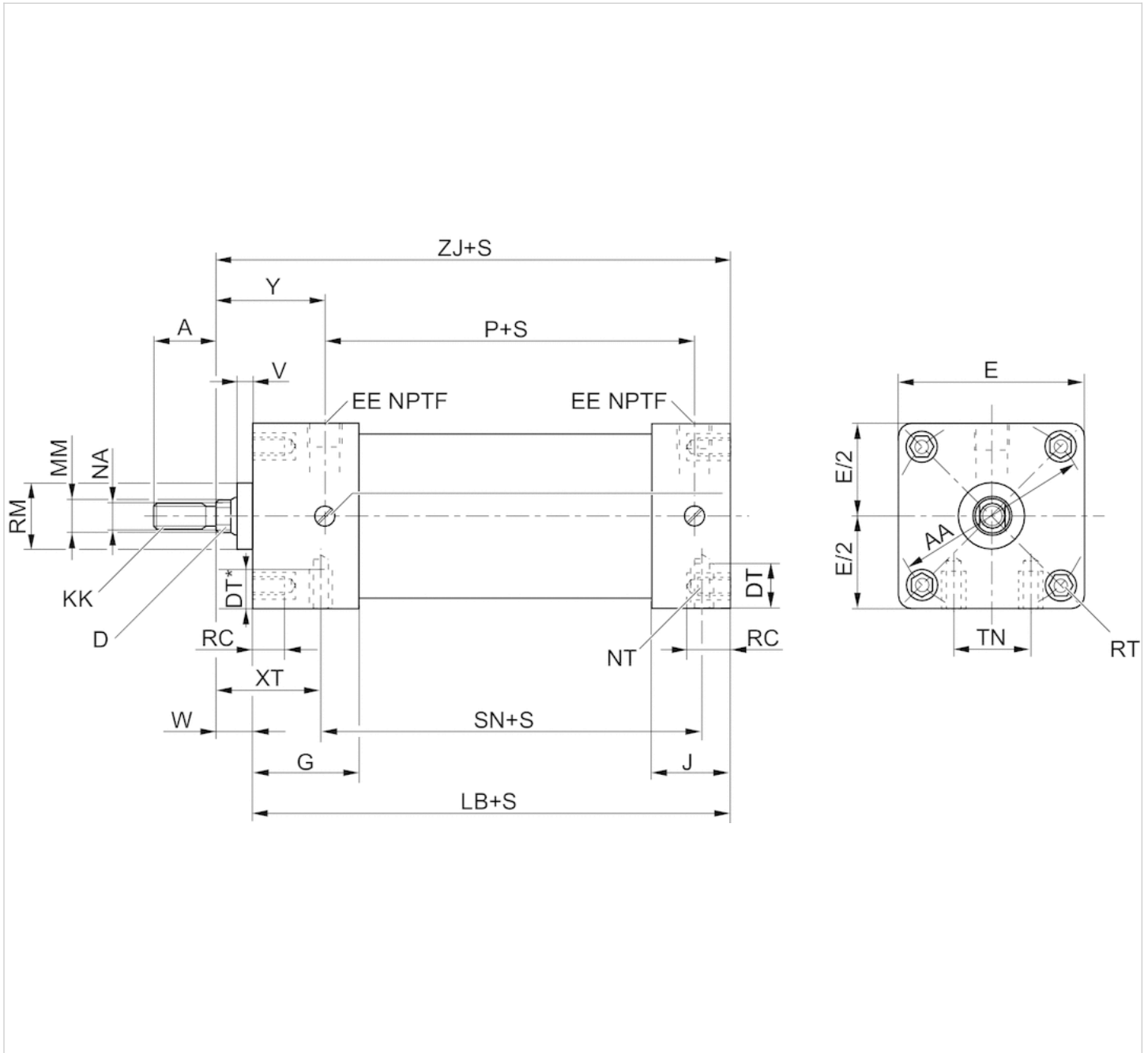
The pressure dew point must be at least 15 °C under ambient and medium temperature and may not exceed 3 °C .

Technical information

Material	
Cylinder tube	Aluminum, anodized
Piston rod	Carbon steel, chrome-plated
Front cover	Die-cast aluminum
End cover	Die-cast aluminum
Piston seal	Nitrile rubber
Cylinder tube seal	Polyester elastomer
Rod bearing	Sintered bronze, POM-coated
Cushion ring	Polyurethane
Nut for piston rod	Carbon steel, chrome-plated
Scraper	Polyurethane

Dimensions

Dimensions in inches



S = stroke

Dimensions not affected by rod diameter

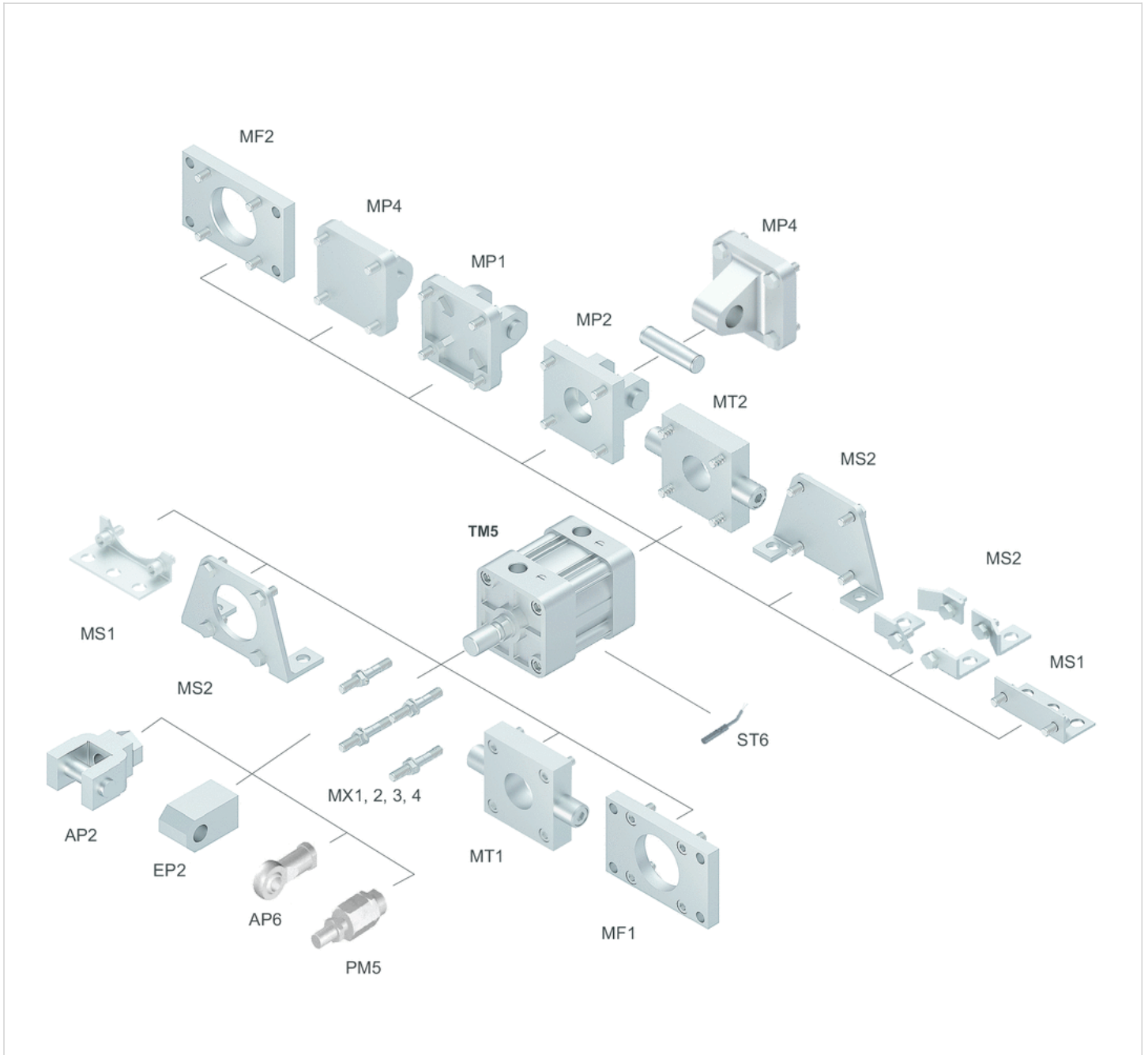
\varnothing [inch]	1 1/2	2	2 1/2	3.25	4
E	2.00	2.50	3.00	3.75	4.5
G	1.4	1.22	1.33	1.64	1.55
J	1.08	1.05	1.04	1.22	1.22
P	2.85	2.90	2.94	3.46	3.50
V	0.25	0.25	0.25	0.25	0.25
AA	2.02	2.60	3.10	3.90	4.7

∅ [inch]	1 1/2	2	2 1/2	3.25	4
LB	4.00	4.00	4.12	4.88	4.88
NT	1/4-20	5/16-18	3/8-16	1/2-13	1/2-13
RC	0.47	0.50	0.50	0.53	0.62
RT	1/4-28	5/16-24	5/16-24	3/8-24	3/8-24
SN	2.75	2.75	2.88	3.38	3.38
TN	0.63	0.88	1.25	1.5	2.06

Dimensions affected by rod diameter

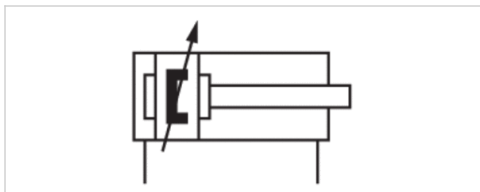
∅ [inch]	1 1/2	2	2 1/2	3 1/4	4
MM	0.625	0.625	0.625	1	1
W	0.63	0.63	0.63	0.75	0.75
EE	3/8	3/8	3/8	1/2	1/2
RM	1.12	1.12	1.12	1.5	1.5
DT	0.31	0.34	0.44	0.50	0.64
ZJ	4.63	4.63	4.75	5.63	5.63
A	0.75	0.75	0.75	1.12	1.12
D	0.5	0.5	0.5	0.875	0.875
Y	1.35	1.26	1.36	1.66	1.59
XT	1.44	1.44	1.44	1.69	1.69

Accessories overview



Tie rod cylinder NFFA, TaskMaster®, Series TM5

- Bore size: Ø 1-1/2" - 4", Built-in mounting: NFFA MS4, Piston rod thread KK2
- NFFA
- Ø 38.1-101.6 mm
- Ports 3/8 NPTF 1/2 NPTF
- double-acting
- with magnetic piston
- Cushioning pneumatically
- Piston rod External thread



Standards

Working pressure min./max.
 Ambient temperature min./max.
 Medium temperature min./max.
 Medium
 Pressure for determining piston forces

NFFA

1.38 ... 10 bar
 -23.33 ... 73.88 °C
 -23.33 ... 73.88 °C
 Compressed air
 6.207 bar

Technical data

Piston Ø Piston rod thread Ports Piston rod Ø	38.1 mm 1/2-20 UNF 3/8 NPTF 16 mm	50.8 mm 1/2-20 UNF 3/8 NPTF 16 mm	63.5 mm 1/2-20 UNF 3/8 NPTF 16 mm	82.55 mm 7/8-14 UNF 1/2 NPTF 25.4 mm	101.6 mm 7/8-14 UNF 1/2 NPTF 25.4 mm
Stroke 25.4	R480698967	R480698981	R480698995	R480699009	R480699023
50.8	R480698968	R480698982	R480698996	R480699010	R480699024
76.2	R480698969	R480698983	R480698997	R480699011	R480699025
101.6	R480698970	R480698984	R480698998	R480699012	R480699026
127	R480698971	R480698985	R480698999	R480699013	R480699027
152.4	R480698972	R480698986	R480699000	R480699014	R480699028
177.8	R480698973	R480698987	R480699001	R480699015	R480699029
203.2	R480698974	R480698988	R480699002	R480699016	R480699030
254	R480698975	R480698989	R480699003	R480699017	R480699031
304.8	R480698976	R480698990	R480699004	R480699018	R480699032
355.6	R480698977	R480698991	R480699005	R480699019	R480699033
406.4	R480698978	R480698992	R480699006	R480699020	R480699034
457.2	R480698979	R480698993	R480699007	R480699021	R480699035

Piston Ø	38.1 mm	50.8 mm	63.5 mm	82.55 mm	101.6 mm
Piston rod thread	1/2-20 UNF	1/2-20 UNF	1/2-20 UNF	7/8-14 UNF	7/8-14 UNF
Ports	3/8 NPTF	3/8 NPTF	3/8 NPTF	1/2 NPTF	1/2 NPTF
Piston rod Ø	16 mm	16 mm	16 mm	25.4 mm	25.4 mm
609.6	R480698980	R480698994	R480699008	R480699022	R480699036

Technical data

Piston Ø	38.1 mm	50.8 mm	63.5 mm	82.55 mm	101.6 mm
Retracting piston force	391.46 N	943.06 N	1650.36 N	3007.12 N	4715.3 N
Extracting piston force	707.3 N	1258.9 N	1966.19 N	3322.95 N	5031.14 N
Cushioning energy	8 J	13 J	26 J	54 J	88 J
Speed max.	2 m/s	2 m/s	2 m/s	2 m/s	2 m/s
Weight 0 inch stroke	0.798 kg	1 kg	1.33 kg	2.76 kg	3.32 kg
Weight +1 inch stroke	0.086 kg	0.1 kg	0.104 kg	0.209 kg	0.222 kg
moving mass, external max.	50 kg	80 kg	135 kg	200 kg	320 kg

Technical information

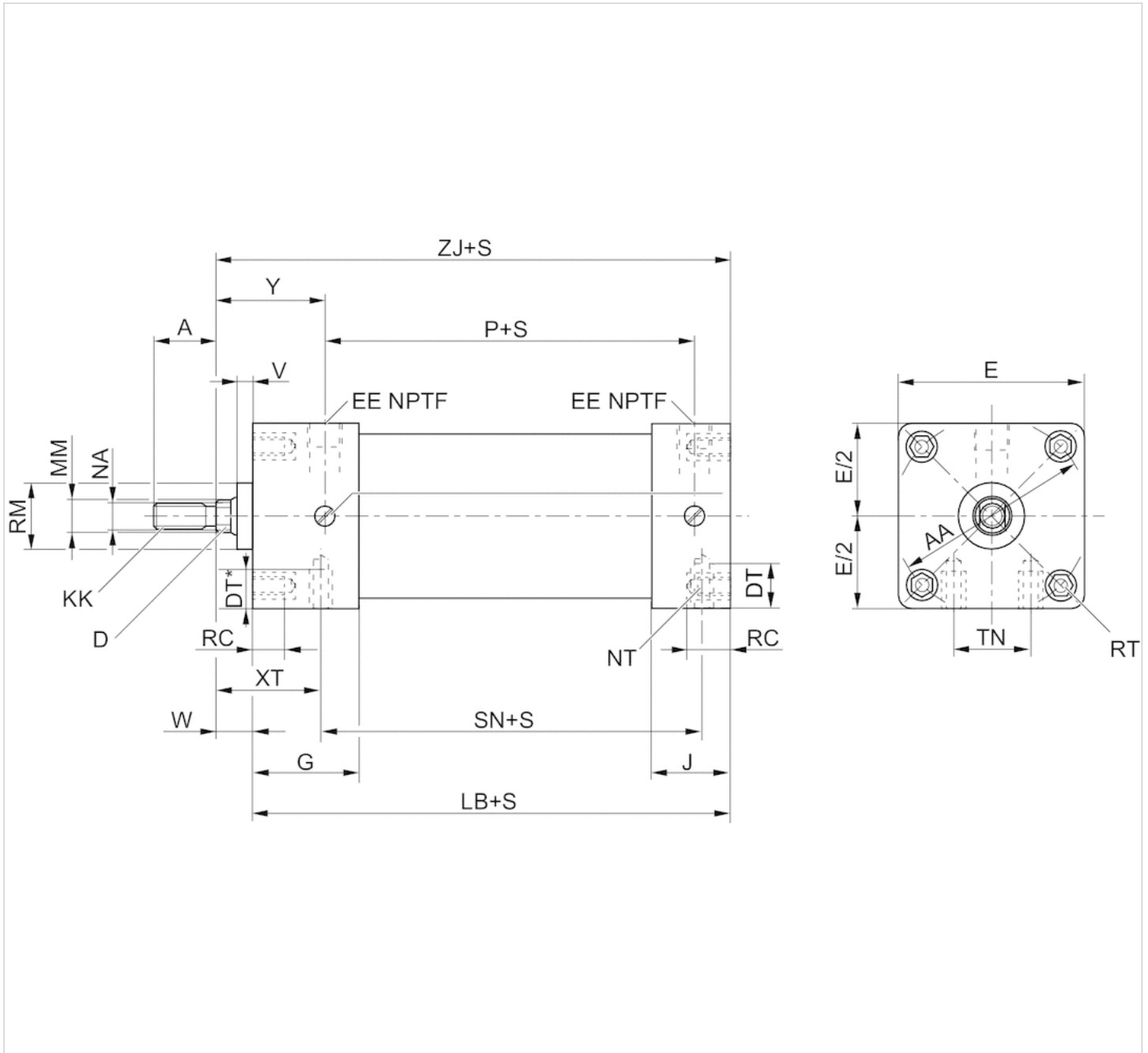
The pressure dew point must be at least 15 °C under ambient and medium temperature and may not exceed 3 °C .

Technical information

Material	
Cylinder tube	Aluminum, anodized
Piston rod	Carbon steel, chrome-plated
Front cover	Die-cast aluminum
End cover	Die-cast aluminum
Piston seal	Nitrile rubber
Cylinder tube seal	Polyester elastomer
Rod bearing	Sintered bronze, POM-coated
Cushion ring	Polyurethane
Nut for piston rod	Carbon steel, chrome-plated
Scraper	Polyurethane

Dimensions

Dimensions in inches



S = stroke

Dimensions not affected by rod diameter

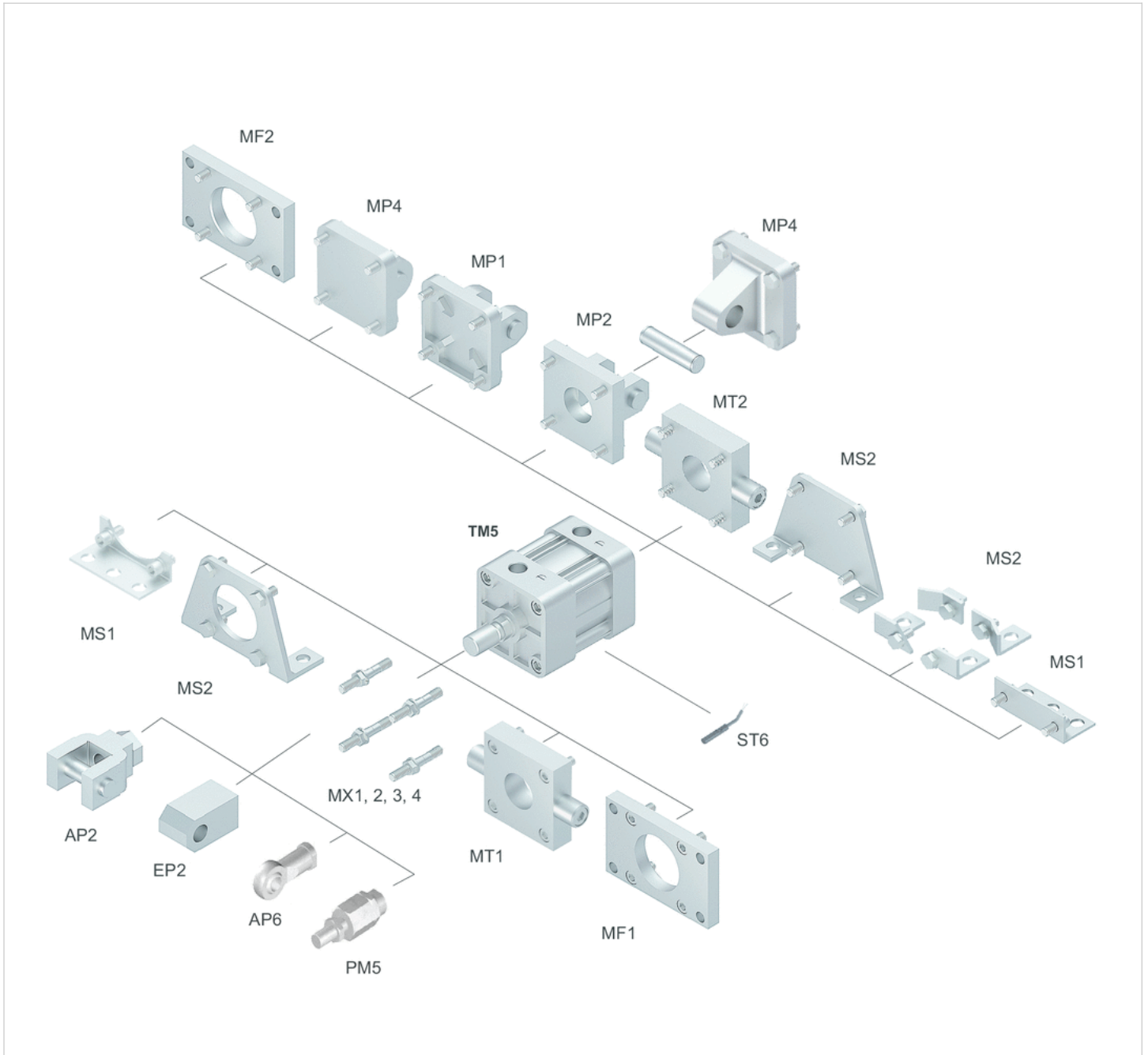
\varnothing [inch]	1 1/2	2	2 1/2	3.25	4
E	2.00	2.50	3.00	3.75	4.5
G	1.4	1.22	1.33	1.64	1.55
J	1.08	1.05	1.04	1.22	1.22
P	2.85	2.90	2.94	3.46	3.50
V	0.25	0.25	0.25	0.25	0.25
AA	2.02	2.60	3.10	3.90	4.7

∅ [inch]	1 1/2	2	2 1/2	3.25	4
LB	4.00	4.00	4.12	4.88	4.88
NT	1/4-20	5/16-18	3/8-16	1/2-13	1/2-13
RC	0.47	0.50	0.50	0.53	0.62
RT	1/4-28	5/16-24	5/16-24	3/8-24	3/8-24
SN	2.75	2.75	2.88	3.38	3.38
TN	0.63	0.88	1.25	1.5	2.06

Dimensions affected by rod diameter

∅ [inch]	1 1/2	2	2 1/2	3 1/4	4
MM	0.625	0.625	0.625	1	1
W	0.63	0.63	0.63	0.75	0.75
EE	3/8	3/8	3/8	1/2	1/2
RM	1.12	1.12	1.12	1.5	1.5
DT	0.31	0.34	0.44	0.50	0.64
ZJ	4.63	4.63	4.75	5.63	5.63
A	0.75	0.75	0.75	1.12	1.12
D	0.5	0.5	0.5	0.875	0.875
Y	1.35	1.26	1.36	1.66	1.59
XT	1.44	1.44	1.44	1.69	1.69

Accessories overview



Flange mounting, Series MF1, MF2

- Cylinder mounting in accordance with NFPA

- Suitable piston Ø 38.1 50.8 63.5 82.55 101.6 mm



Standards

Weight

NFPA

See table below

Technical data

Part No.	Piston Ø	Weight
R432013373	38.1 mm	0.018 kg
R432012520	50.8 mm	0.036 kg
R432013382	63.5 mm	0.054 kg
R432013388	82.55 mm	0.472 kg
R432013396	101.6 mm	0.508 kg

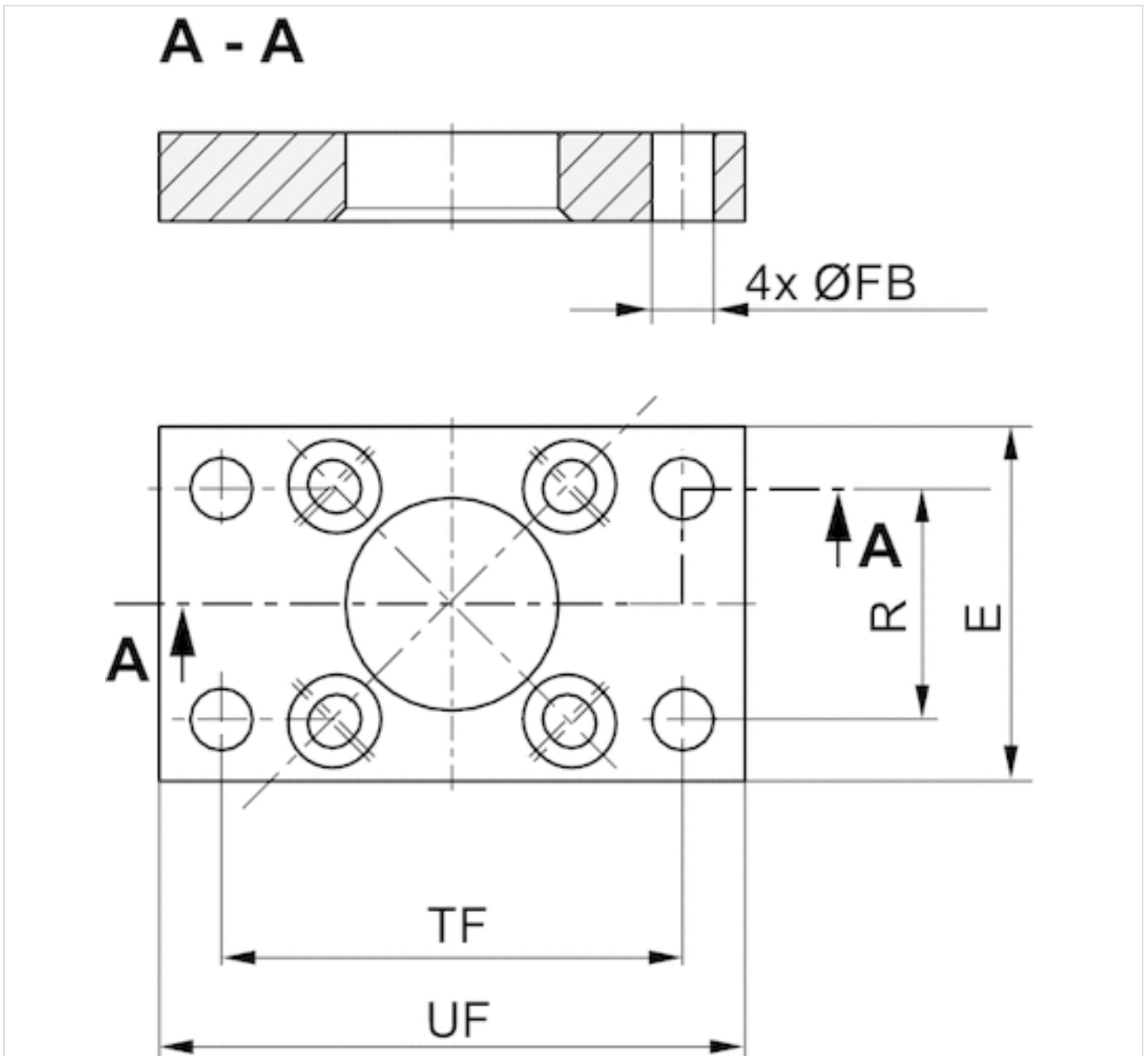
Scope of delivery: flange mounting incl. mounting screws

Technical information

Material	
Material	Aluminum

Dimensions

Dimensions in inches



Dimensions in inches

Part No.	Ø	E	Ø FB	R	TF	UF
R432013373	38.1 mm	2.00	0.34	1.43	2.75	3.38
R432012520	50.8 mm	2.50	0.41	1.84	3.38	4.13
R432013382	63.5 mm	3.00	0.41	2.19	3.88	4.63
R432013388	82.55 mm	3.50	0.47	2.76	4.69	5.50
R432013396	101.6 mm	4.50	0.47	3.32	5.44	6.25

Fixed Clevis (MP1 mount)

- Cylinder mounting in accordance with NFPA
- Suitable piston Ø 38.1 50.8 63.5 82.55 101.6 mm



Standards
Weight

NFPA
See table below

Technical data

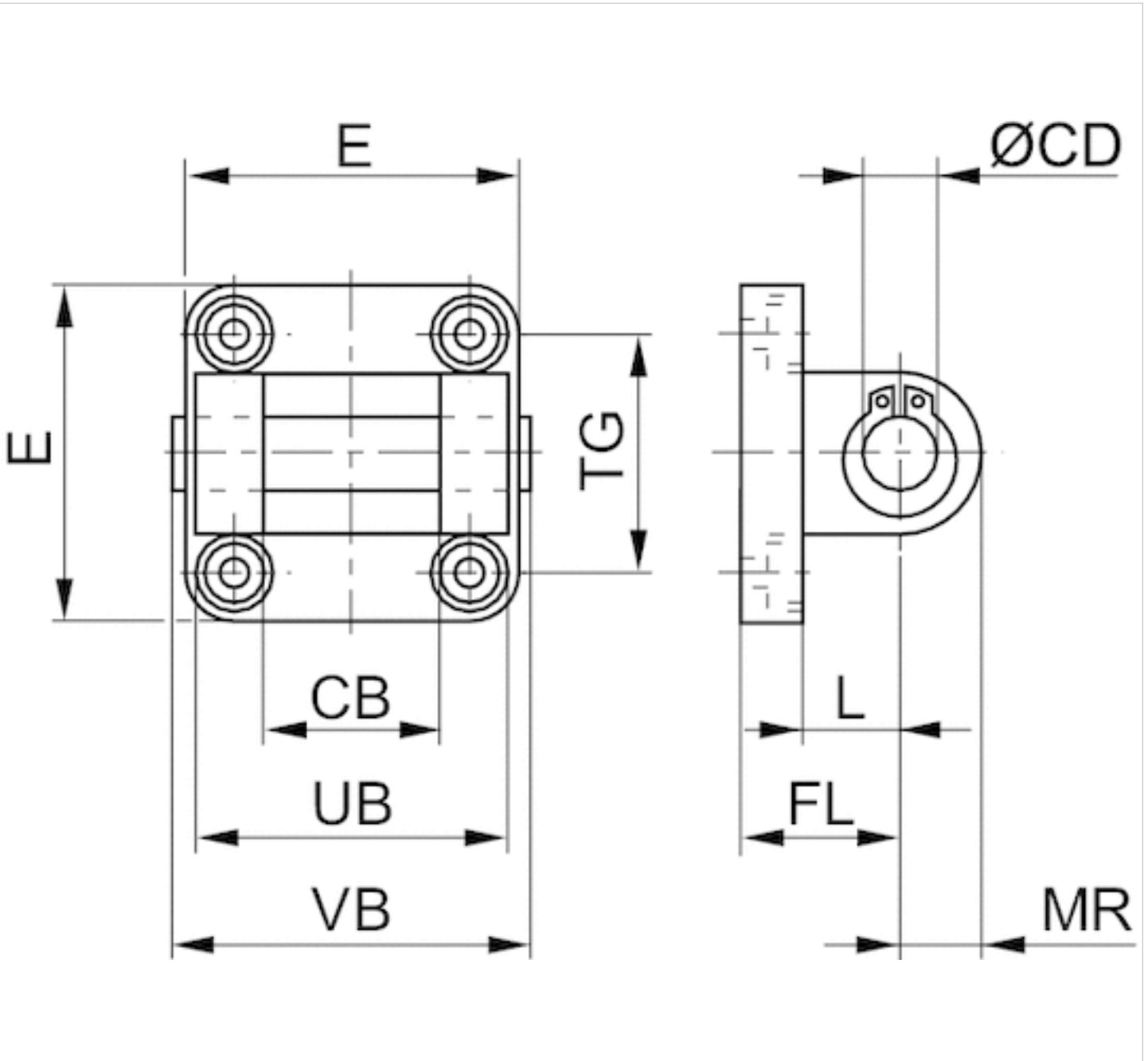
Part No.	Piston Ø	Weight
R432015731	38.1 mm	0.272 kg
R432015733	50.8 mm	0.454 kg
R432015735	63.5 mm	0.635 kg
R432015737	82.55 mm	1.27 kg
R432015739	101.6 mm	1.72 kg

Scope of delivery: clevis mounting incl. mounting screws

Technical information

Material	
Material	Cast iron

Dimensions



Dimensions in inches

Part No.	Ø	CB H14	Ø CD H9	E	FL	L	MR	CB	UB	VB	TG
R432015731	1.5	0.75	0.500	2.00	0.76	0.38	0.63	-	-	-	-
R432015733	2.0	0.75	0.500	2.50	0.76	0.38	0.63	-	-	-	-
R432015735	2.5	0.75	0.500	3.00	0.76	0.38	0.63	-	-	-	-
R432015737	3.25	1.25	0.750	3.75	1.26	0.63	0.88	-	-	-	-
R432015739	4.0	1.25	0.750	4.50	1.26	0.63	0.88	-	-	-	-

Detachable Clevis (MP2 mount)

- Cylinder mounting in accordance with NFPA

- Suitable piston Ø 38.1 50.8 63.5 82.55 101.6 mm



Standards
Weight

NFPA
See table below

Technical data

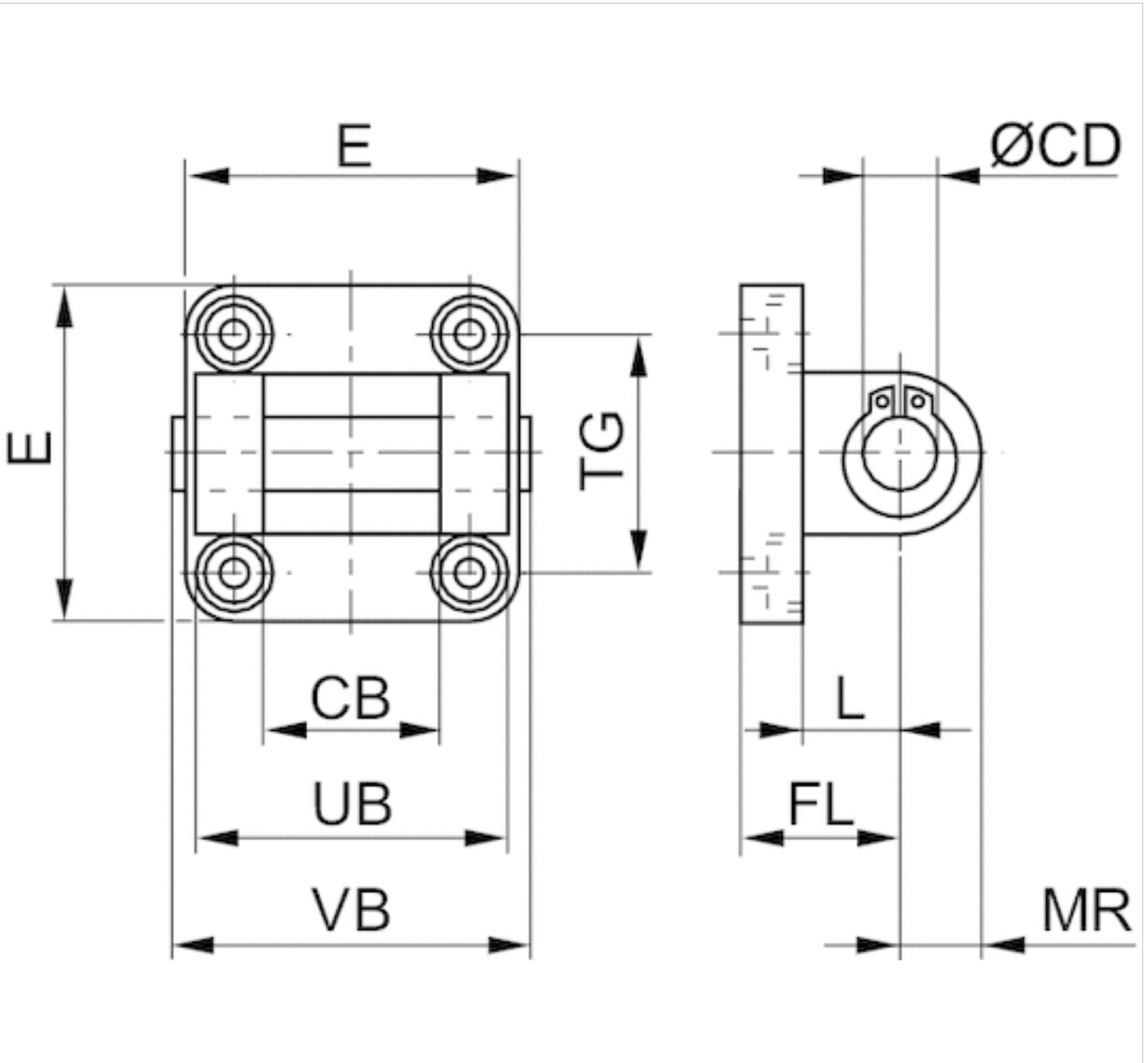
Part No.	Piston Ø	Housing material	Weight
R432013371	38.1 mm	Aluminum	0.036 kg
R432008309	38.1 mm	Steel	0.064 kg
R432012512	50.8 mm	Aluminum	0.036 kg
R432008305	50.8 mm	Steel	0.635 kg
R432013379	63.5 mm	Aluminum	0.054 kg
R432008306	63.5 mm	Steel	0.49 kg
R432013394	82.55 mm	Aluminum	0.508 kg
R432008307	82.55 mm	Steel	1.42 kg
R432013402	101.6 mm	Aluminum	1.09 kg
R432008308	101.6 mm	Steel	1.87 kg

Scope of delivery: clevis mounting incl. pivot pins and mounting screws

Technical information

Material	
Material	Aluminum Steel

Dimensions



Dimensions in inches

Part No.	Ø	CB H14	Ø CD H9	E	FL	L	MR	CB	UB	VB	TG
R432013371	1.5	0.75	0.500	2.00	1.13	0.75	0.53	-	-	-	-
R432008309	1.5	0.75	0.500	2.00	1.13	0.75	0.69	-	-	-	-
R432012512	2.0	0.75	0.500	2.50	1.13	0.75	0.53	-	-	-	-
R432008305	2.0	0.75	0.500	2.50	1.13	0.75	0.53	-	-	-	-
R432013379	2.5	0.75	0.500	3.00	1.13	0.75	0.53	-	-	-	-
R432008306	2.5	0.75	0.500	3.00	1.13	0.75	0.53	-	-	-	-
R432013394	3.25	1.25	0.750	3.75	1.87	1.31	0.88	-	-	-	-
R432008307	3.25	1.25	0.750	3.75	1.88	1.25	1.00	-	-	-	-

Part No.	Ø	CB H14	Ø CD H9	E	FL	L	MR	CB	UB	VB	TG
R432013402	4.0	1.25	0.750	4.50	1.88	1.25	0.78	-	-	-	-
R432008308	4.0	1.25	0.750	4.50	1.88	1.25	1.00	-	-	-	-

Rear eye, Series MP4

- Cylinder mounting in accordance with NFPA
- Suitable piston Ø 38.1 50.8 63.5 82.55 101.6 mm



Standards
Weight

NFPA
See table below

Technical data

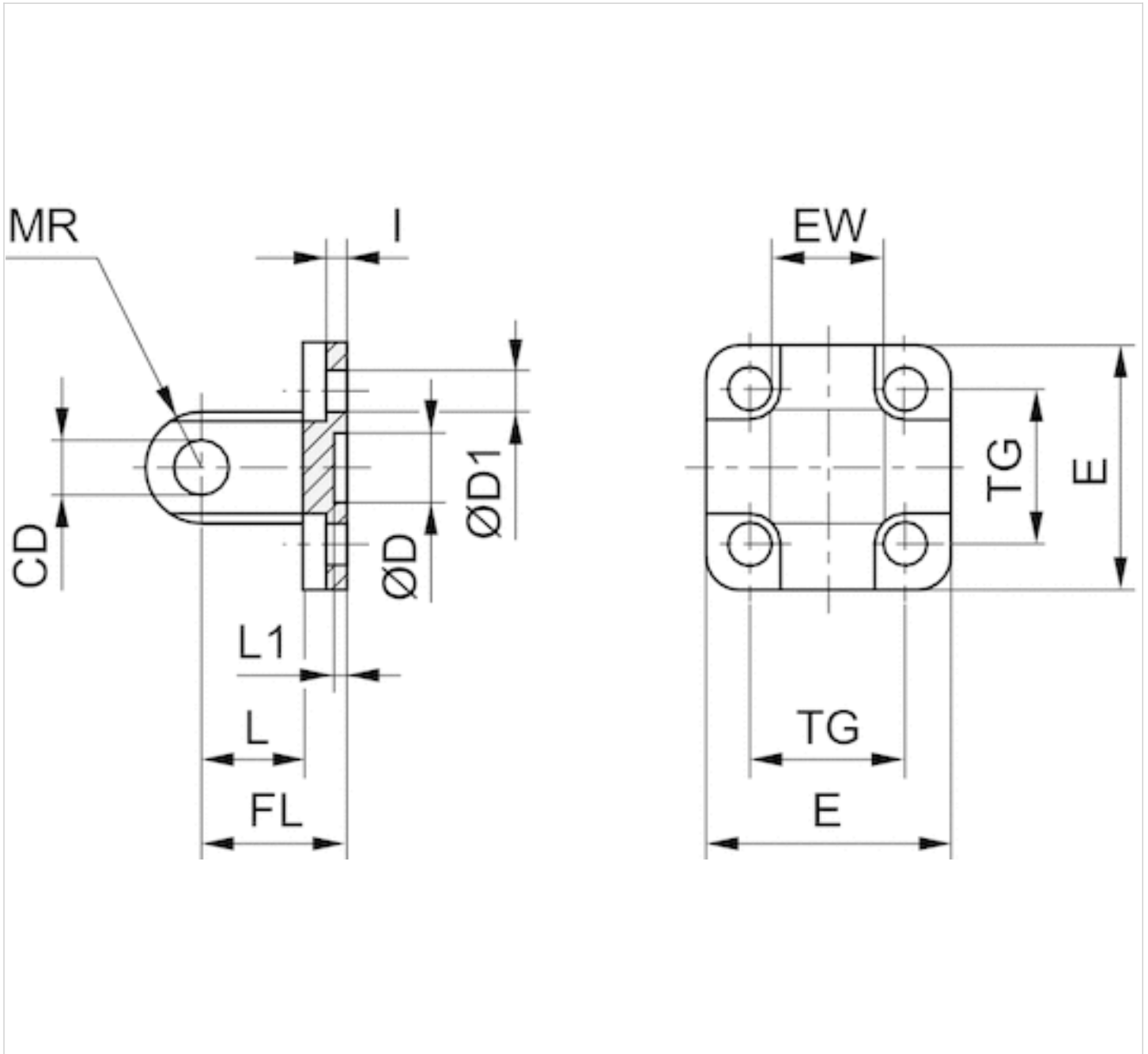
Part No.	Piston Ø	Weight
R432013369	38.1 mm	0.363 kg
R432012549	50.8 mm	0.363 kg
R432013377	63.5 mm	0.408 kg
R432013392	82.55 mm	0.771 kg
R432013400	101.6 mm	0.508 kg

Scope of delivery: clevis incl. mounting screws

Technical information

Material	
Material	Aluminum

Dimensions



Dimensions in inches

Part No.	Ø	CD H9	Ø D	Ø D1	E	EW	FL	L
R432013369	1.5	0.500	-	-	2.00	0.75	1.13	0.75
R432012549	2.0	0.500	-	-	2.50	0.75	1.13	0.75
R432013377	2.5	0.500	-	-	3.00	0.75	1.13	0.75
R432013392	3.25	0.750	-	-	3.75	1.25	1.88	1.25
R432013400	4.0	0.750	-	-	4.50	1.25	1.88	1.25

Foot mounting, Series MS1

- Cylinder mounting in accordance with NFPA

- Suitable piston Ø 38.1 50.8 63.5 82.55 101.6 mm



Standards

Weight

NFPA

See table below

Technical data

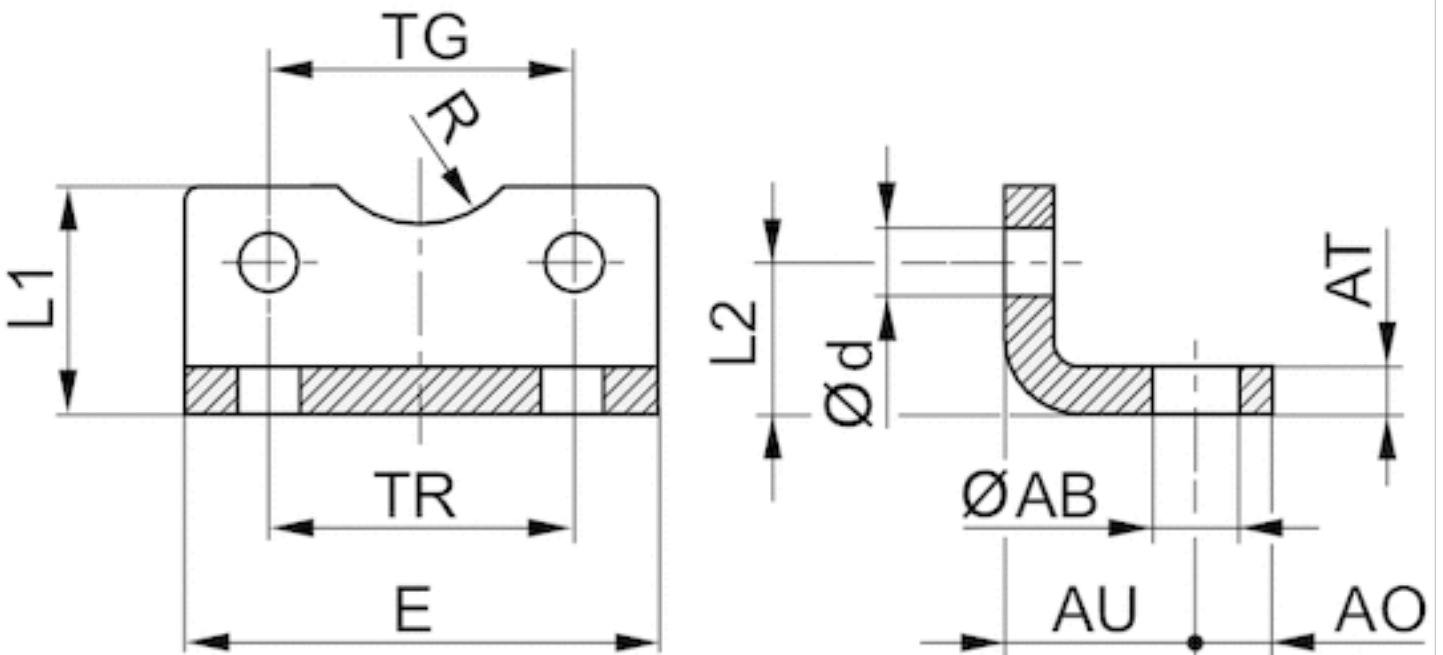
Part No.	Piston Ø	Weight
R432013623	38.1 mm	0.027 kg
R432013625	50.8 mm	0.036 kg
R432013628	63.5 mm	0.041 kg
R432013631	82.55 mm	0.064 kg
R432013634	101.6 mm	0.454 kg

Technical information

Material

Material	Steel
----------	-------

Dimensions



Dimensions in inches

Part No.	Ø	AO	AT	AU ±0,2	Ød	E	L1	L2	R	TR
R432013623	1.5	0.37	0.12	-	-	2.00	-	-	-	1.25
R432013625	2.0	0.37	0.12	-	-	2.50	-	-	-	1.75
R432013628	2.5	0.37	0.12	-	-	3.00	-	-	-	2.25
R432013631	3.25	0.50	0.12	-	-	3.75	-	-	-	2.75
R432013634	4.0	0.50	0.12	-	-	4.50	-	-	-	3.50

Foot mounting, MS2 Bore size: Ø 1-1/2" - 2-1/2"

- Suitable piston Ø 38.1 50.8, 63.5 mm



Weight

0.272 kg

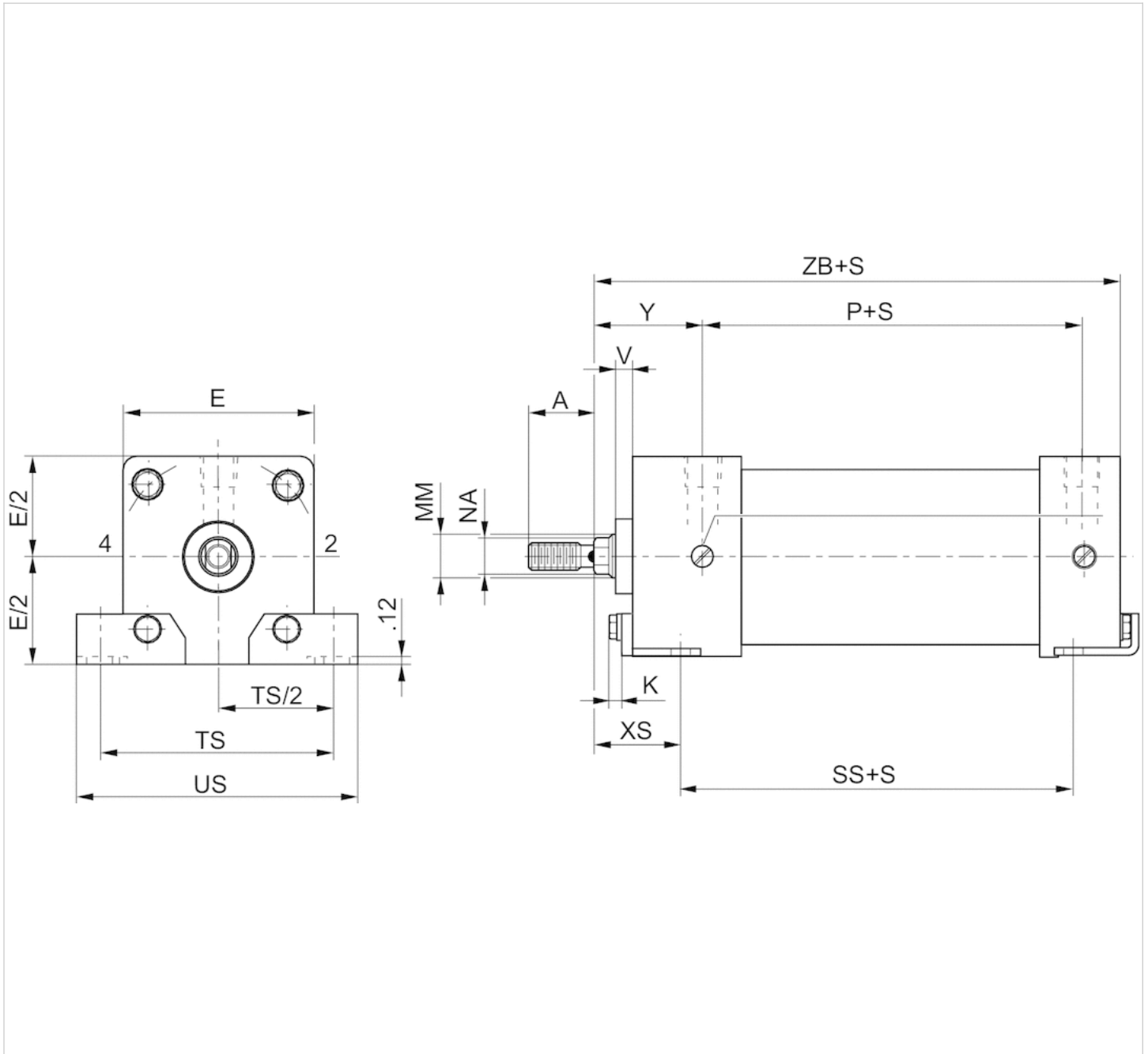
Technical data

Part No.	Piston Ø
R432013616	38.1 mm
R432013641	50.8, 63.5 mm

Technical information

Material	
Material	Steel

Dimensions



Dimensions in inches

Part No.	Ø	MM	C	F	K	W
R432013616	1.5	0.625	0.75	2.00	0.23	0.59
R432013641	2.0	0.625	0.75	2.5	0.28	0.59
	2.5	0.625	0.75	3.0	0.28	0.59

SB	SS	ST	SU	SW	SY	SZ
0.44	2.88	0.12	0.48	0.88	0.9	0.5
0.44	2.88	0.12	0.48	0.88	0.9	0.5
0.44	3.0	0.12	0.48	0.88	0.9	0.5

TS	US	XS	ZB
2.75	3.43	1.38	4.62
3.32	4.08	1.38	4.62
3.67	4.43	1.38	4.75

Foot mounting, MS2 Bore size: Ø 3-1/4" - 4"

- Suitable piston Ø 82.55 101.6 mm



Weight

See table below

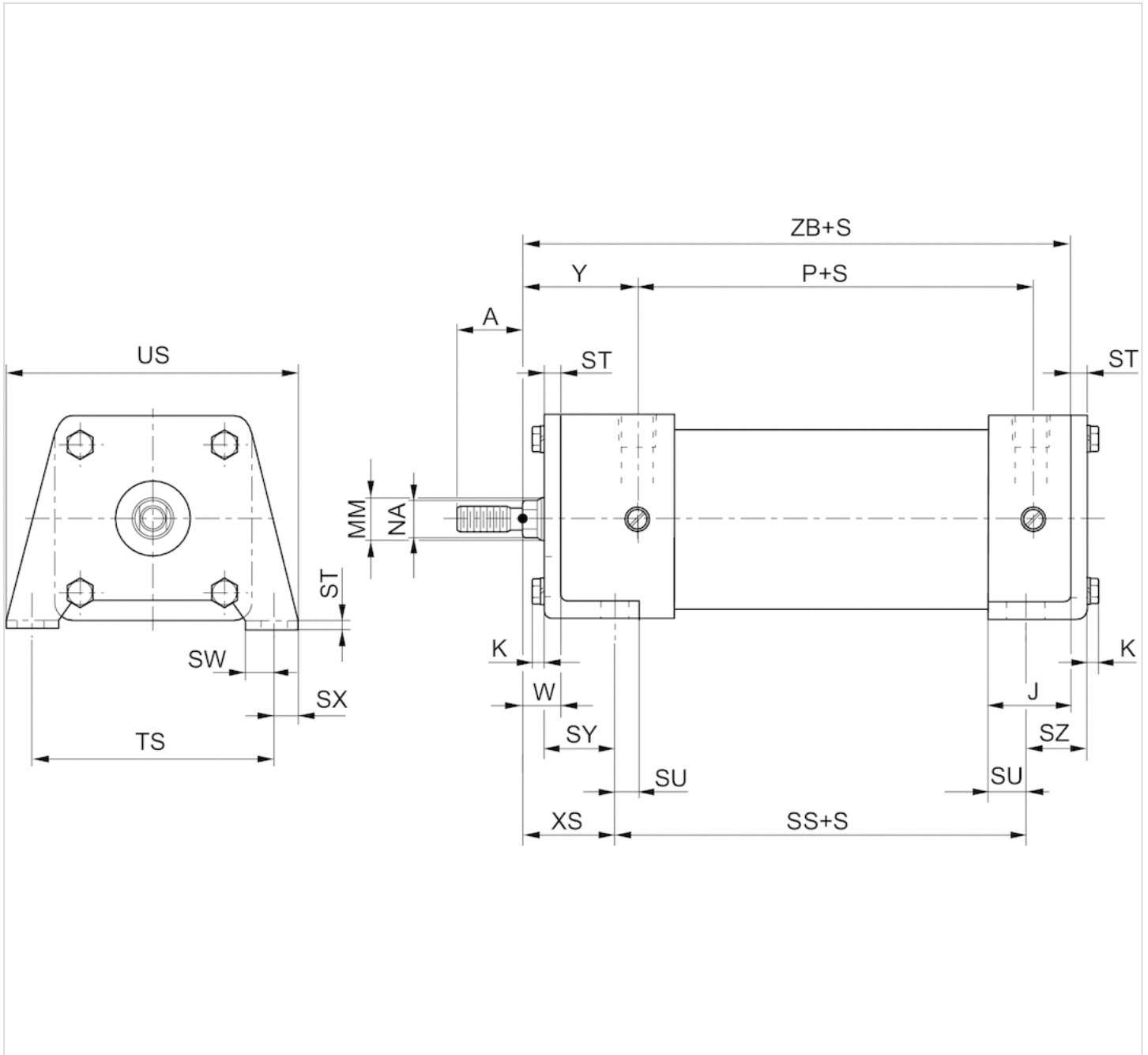
Technical data

Part No.	Piston Ø	Weight
R432013648	82.55 mm	0.962 kg
R432013651	101.6 mm	1.83 kg

Technical information

Material	
Material	Steel

Dimensions



Dimensions in inches

Part No.	Ø	MM	E	K	W	SB	SS	ST	SU	SW	SX	SY	SZ	TS	US	XS	ZB
R432013648	3.25	1.0	3.75	0.34	0.75	0.56	3.25	0.25	0.62	0.5	0.5	1.38	0.75	4.75	5.75	1.88	5.62
R432013651	4.0	1.0	4.5	0.34	0.75	0.56	3.25	0.31	0.62	0.5	0.5	1.44	0.81	5.5	6.5	1.88	5.62

Trunnion mounting, Series MT1, MT2

- Suitable piston Ø 38.1 50.8 63.5 82.55 101.6 mm

- for series TaskMaster®



Weight

See table below

Technical data

Part No.	Piston Ø	Weight
R432013510	38.1 mm	0.054 kg
R432013507	50.8 mm	0.454 kg
R432013513	63.5 mm	0.472 kg
R432013489	82.55 mm	0.508 kg
R432013516	101.6 mm	0.943 kg

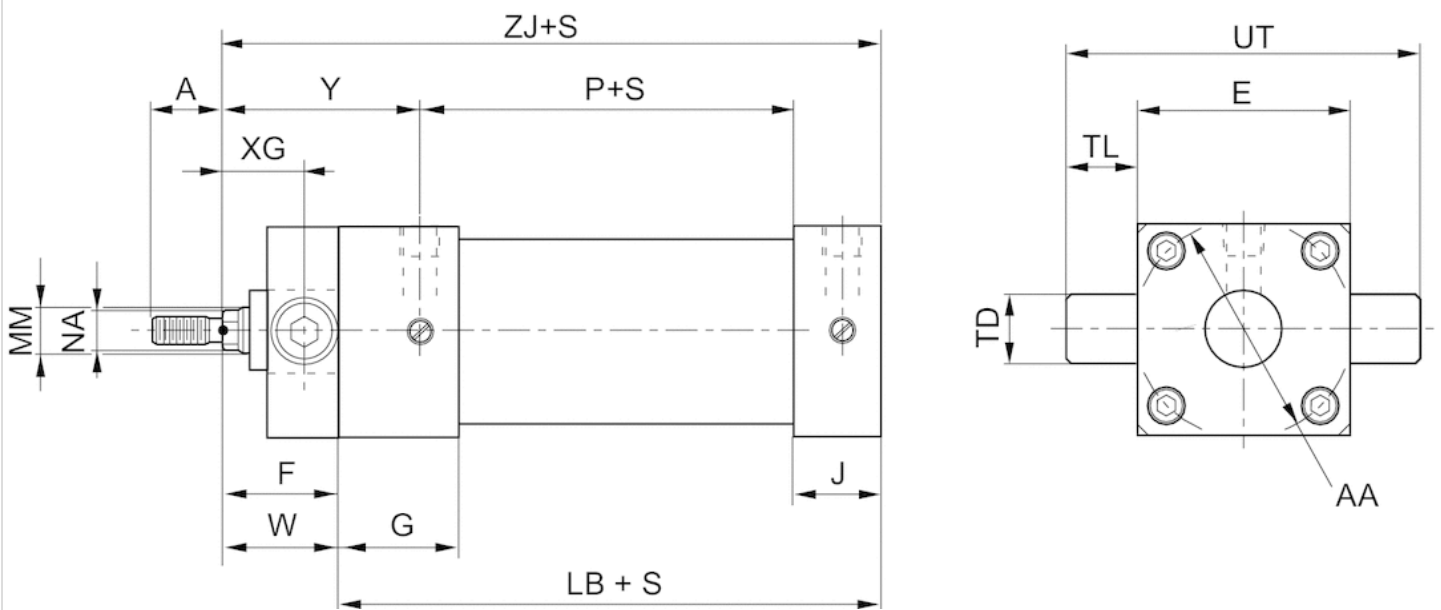
Scope of delivery: trunnion mounting incl. mounting screws

Technical information

Material	
Material	Die-cast aluminum
Screws	steel, galvanized
Guide bushing	steel, galvanized

Dimensions

Fig. 1, MT1, front end cover



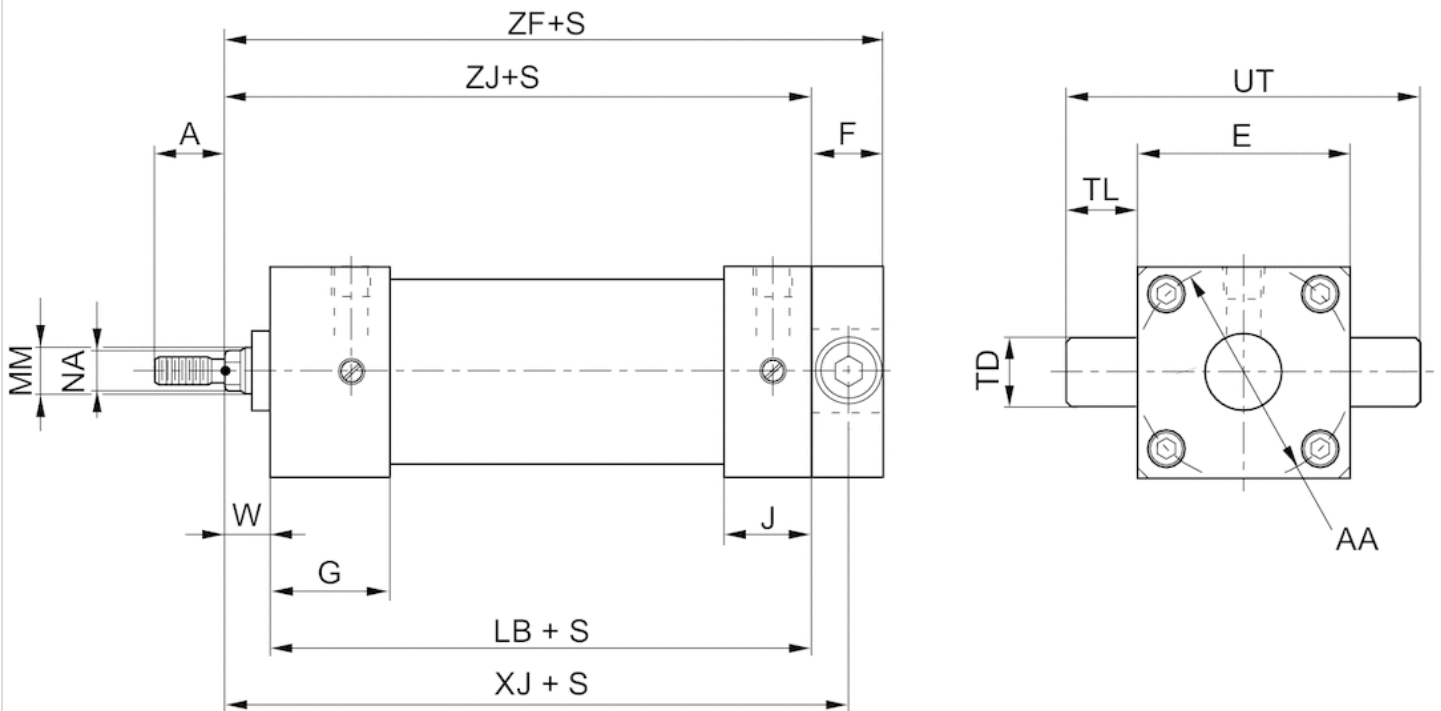
S = stroke

Dimensions in inches

Part No.	Ø	MM	E	F	W	AA	LB	TD	TL	UT	XG	ZJ
R432013510	1.5	0.625	2.00	1.00	1.38	2.02	3.98	1.00	1.00	4.00	0.12	5.6
R432013507	2.0	0.625	2.5	1.00	1.38	2.6	3.98	1.00	1.00	4.5	0.12	5.6
R432013513	2.5	0.625	3.00	1.00	1.38	3.1	4.1	1.00	1.00	5.00	0.12	5.72
R432013489	3.25	1.00	3.75	1.00	1.5	3.90	4.86	1.00	1.00	5.77	0.25	6.61
R432013516	4.0	1.00	4.50	1.00	1.5	4.70	4.86	1.00	1.00	6.49	0.25	6.61

Dimensions

Fig. 2, MT2, rear end cover



S = stroke

Dimensions in inches

Part No.	Ø	MM	E	F	W	AA	LB	TD	TL	UT	XJ	ZF	ZJ
R432013510	1.5	0.625	2.00	1.00	1.38	2.02	3.98	1.00	1.00	4.00	5.1	5.63	4.6
R432013507	2.0	0.625	2.5	1.00	1.38	2.6	3.98	1.00	1.00	4.5	5.1	5.63	4.6
R432013513	2.5	0.625	3.00	1.00	1.38	3.1	4.1	1.00	1.00	5.00	5.22	5.75	4.72
R432013489	3.25	1.00	3.75	1.00	1.5	3.90	4.86	1.00	1.00	5.77	6.11	6.63	5.61
R432013516	4.0	1.00	4.50	1.00	1.5	4.70	4.86	1.00	1.00	6.49	6.11	5.63	5.61

Mounting kit for extended tie rods, Series MX1, 2, 3, 4

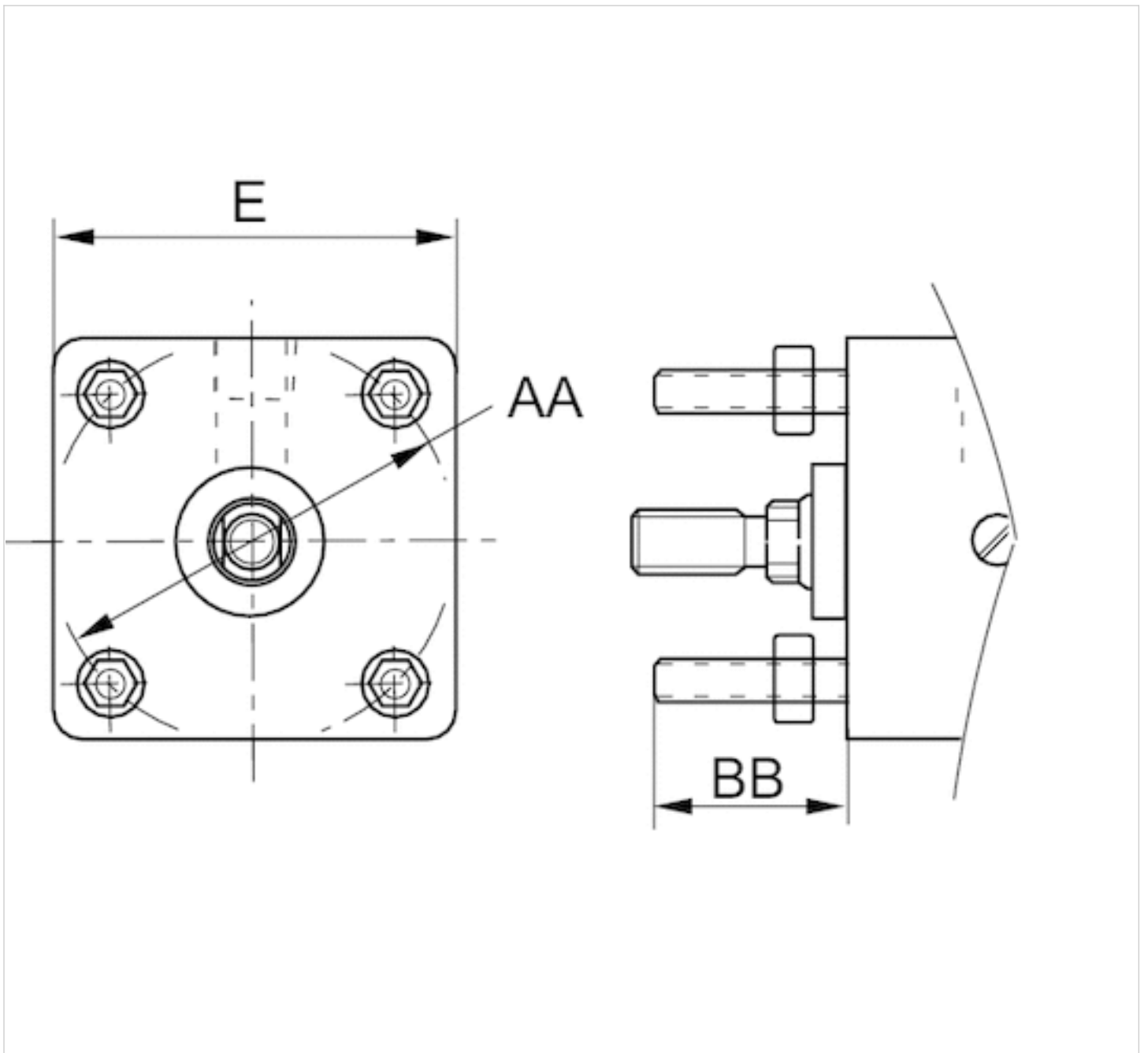


Technical data

Part No.
R432013684
R432013686
R432013688

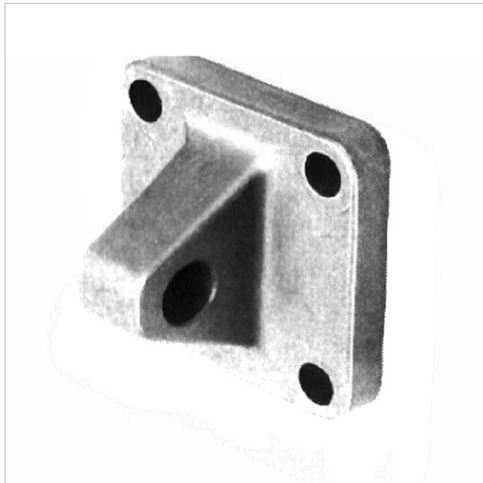
Scope of delivery: ←2 kits for both ends (MX1) ←1 kit for base (MX2) ←1 kit for cover (MX3) ←2 piston rod extensions at both ends (MX4)

Dimensions



Eye brackets

- Suitable piston Ø 38.1 50.8 63.5 82.55 101.6 mm



Weight

See table below

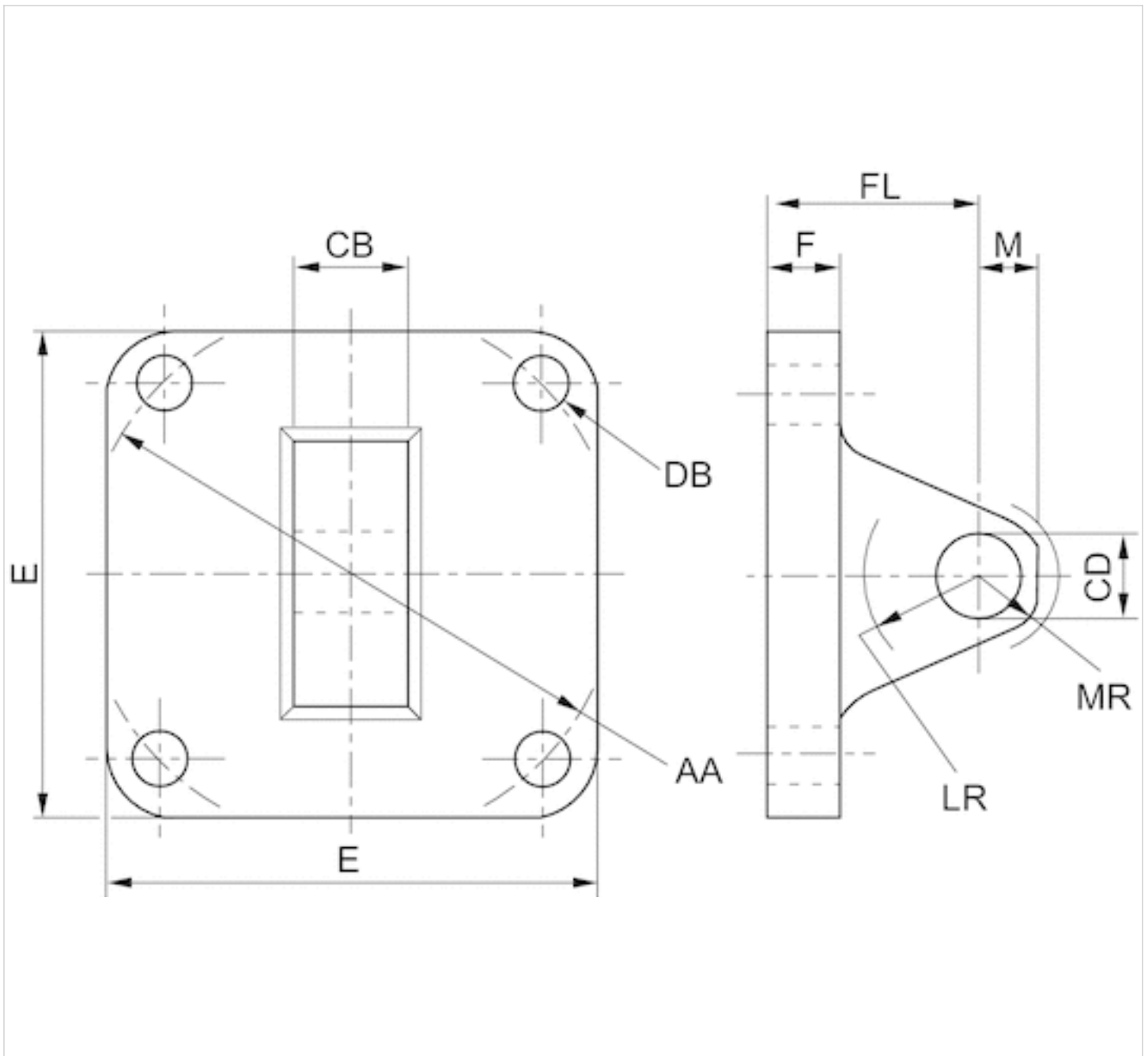
Technical data

Part No.	Piston Ø	Weight
R432013368	38.1 mm	0.018 kg
R432012551	50.8 mm	0.018 kg
R432013376	63.5 mm	0.036 kg
R432008890	82.55 mm	0.472 kg
R432008892	101.6 mm	0.49 kg

Technical information

Material	
Material	Aluminum

Dimensions



Dimensions in inches

Part No.	Ø	E	F	M	AA	CB	CD	DB	FL	LR	MR
R432013368	1.50	2.00	0.38	0.50	2.02	0.75	0.50	0.25	1.13	0.63	0.53
R432012551	2.00	2.50	0.38	0.50	2.60	0.75	0.50	0.31	1.13	0.63	0.53
R432013376	2.50	3.00	0.38	0.50	3.10	0.75	0.50	0.31	1.13	0.63	0.53
R432008890	3.25	3.75	0.63	0.75	3.90	1.25	0.75	0.38	1.88	0.88	0.78
R432008892	4.00	4.504	0.63	0.75	4.70	1.25	0.75	0.38	1.88	0.88	0.78

Clevis mounting

- Suitable piston Ø 38.1 50.8 63.5 82.55 101.6 mm



Weight

See table below

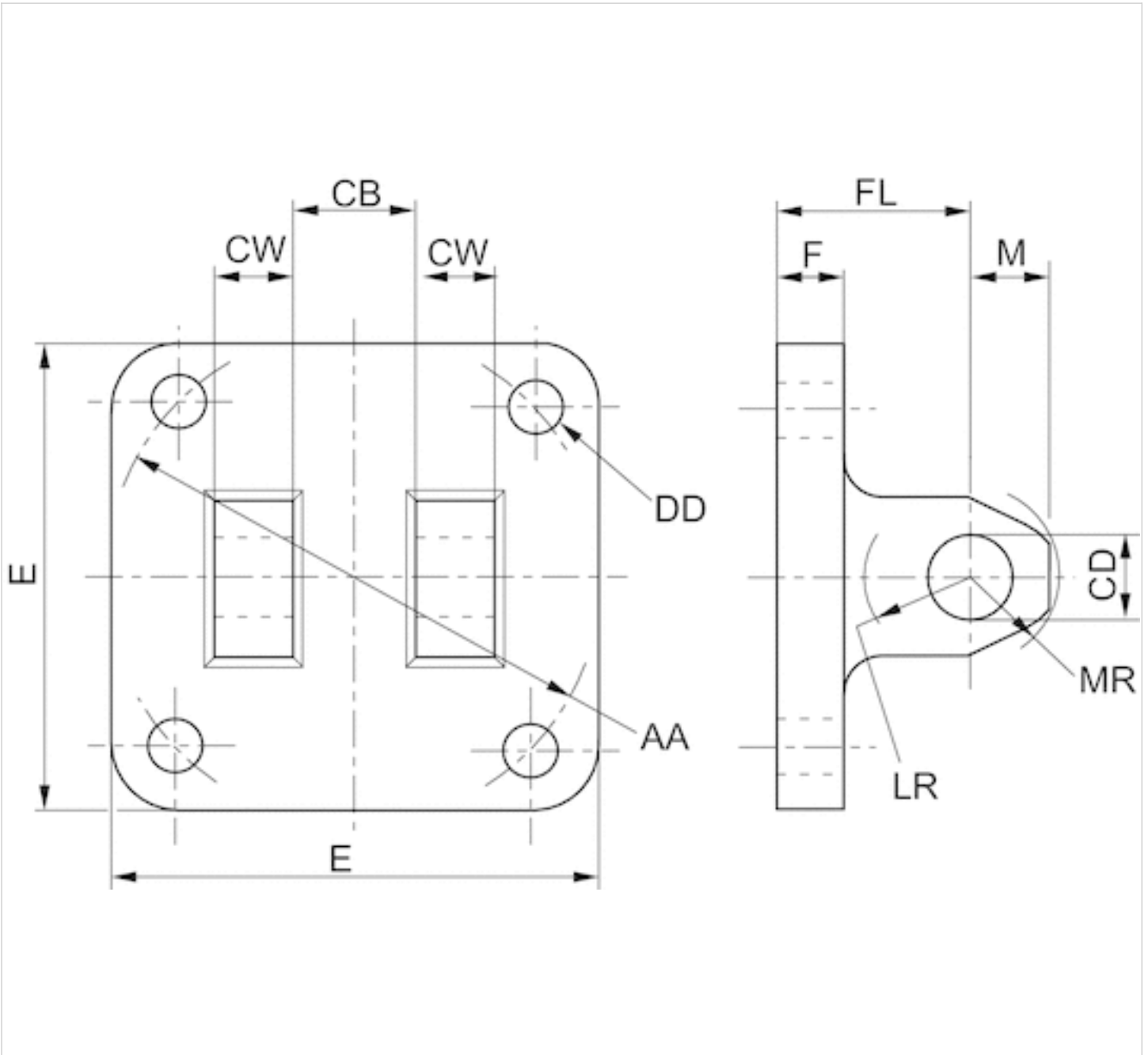
Technical data

Part No.	Piston Ø	Weight
R432013366	38.1 mm	0.018 kg
R432012511	50.8 mm	0.018 kg
R432013381	63.5 mm	0.036 kg
R432008891	82.55 mm	0.463 kg
R432008893	101.6 mm	0.49 kg

Technical information

Material	
Material	Aluminum

Dimensions



Dimensions in inches

Part No.	Ø	E	F	M	AA	CB	CD	CW	DD	FL	LR	MR
R432013366	1.50	2.00	0.38	0.50	2.02	0.75	0.50	0.50	0.25	1.13	0.63	0.53
R432012511	2.00	2.50	0.38	0.50	2.60	0.75	0.50	0.50	0.31	1.13	0.63	0.53
R432013381	2.50	3.00	0.38	0.50	3.10	0.75	0.50	0.50	0.31	1.13	0.63	0.53
R432008891	3.25	3.75	0.63	0.75	3.90	1.25	0.75	0.63	0.38	1.88	0.88	0.78
R432008893	4.00	4.504	0.63	0.75	4.70	1.25	0.75	0.63	0.38	1.88	0.88	0.78

Bolts

- Suitable piston Ø 38.1, 50.8, 63.5 82.55, 101.6 mm



Weight

See table below

Technical data

Part No.	Piston Ø	Weight
R433012619	38.1, 50.8, 63.5 mm	0.018 kg
R433012621	82.55, 101.6 mm	0.036 kg

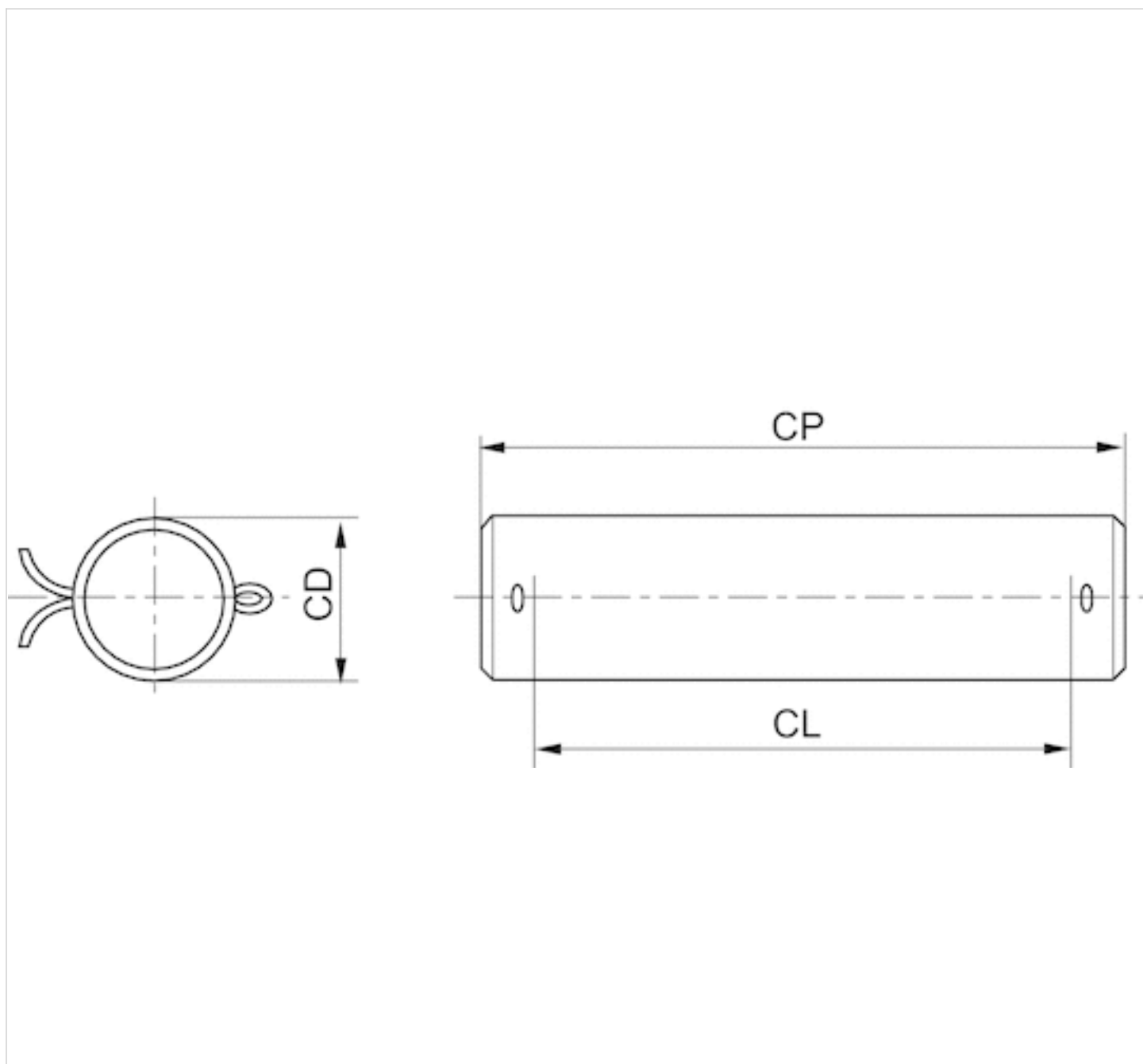
Scope of delivery: pivot pins incl. circlips

Technical information

Material	
Material	Steel

Dimensions

Dimensions in inches



Dimensions in inches

Part No.	CD	CL	CP
R433012619	0.5	1.88	2.09
R433012621	0.75	2.62	2.88

Rod clevis



Weight

See table below

Technical data

Part No.	Weight
R432012516	0.408 kg
R432013386	0.454 kg

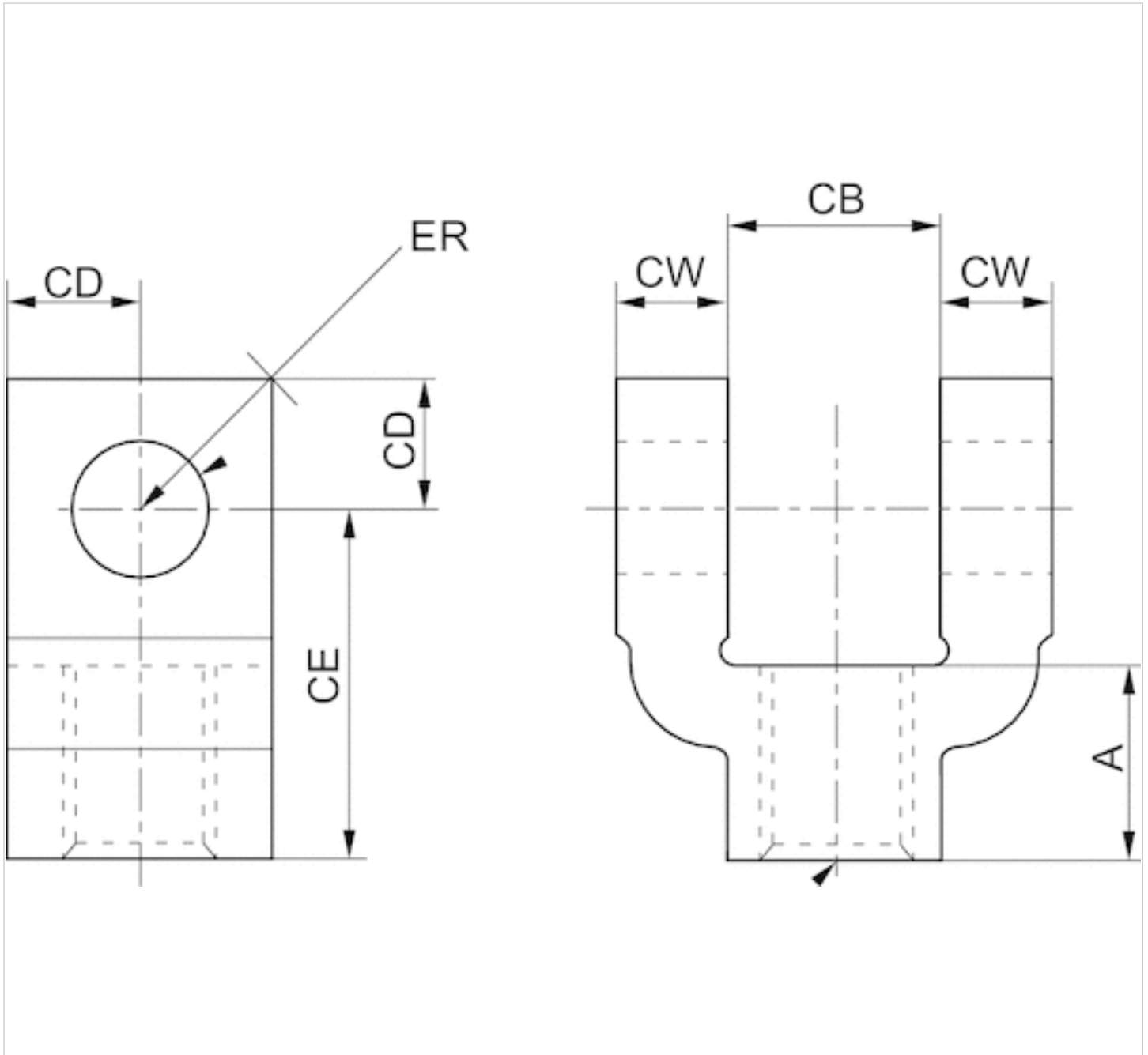
Scope of delivery: pivot pins incl. circlips

Technical information

Material
Aluminum

Dimensions

Dimensions in inches



Dimensions in inches

Part No.	\varnothing	A	CB	CD	CE	CW	ER
R432012516	1.50	0.75	0.75	0.50	1.50	0.50	0.72
	2.00						
	2.50						
R432013386	3.25	1.13	1.25	0.75	2.06	0.63	1.06
	4.00						

Female rod eye



Weight

See table below

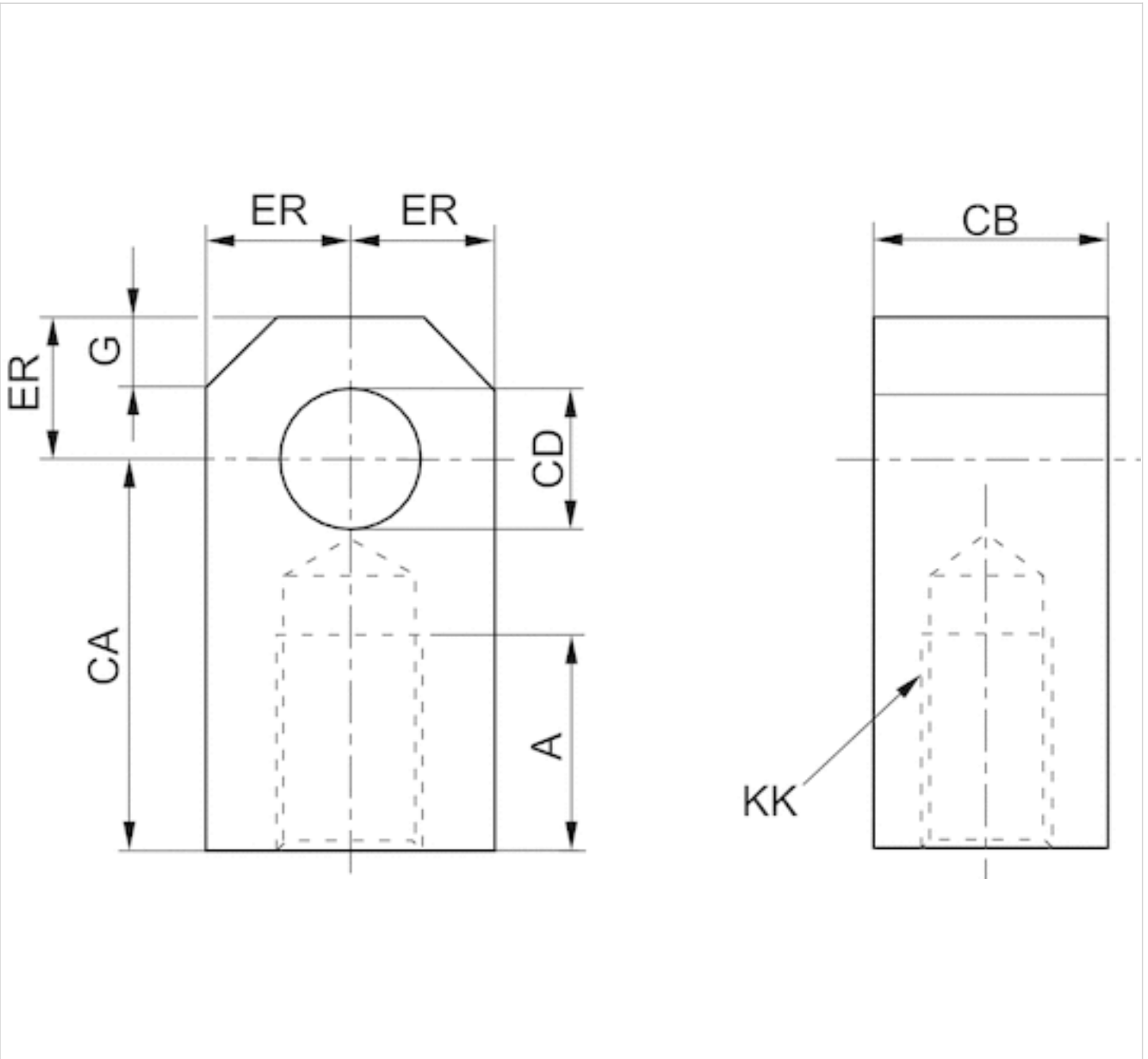
Technical data

Part No.	Weight
R432006533	0.05 kg
R432013437	1 kg

Technical information

Material
Steel

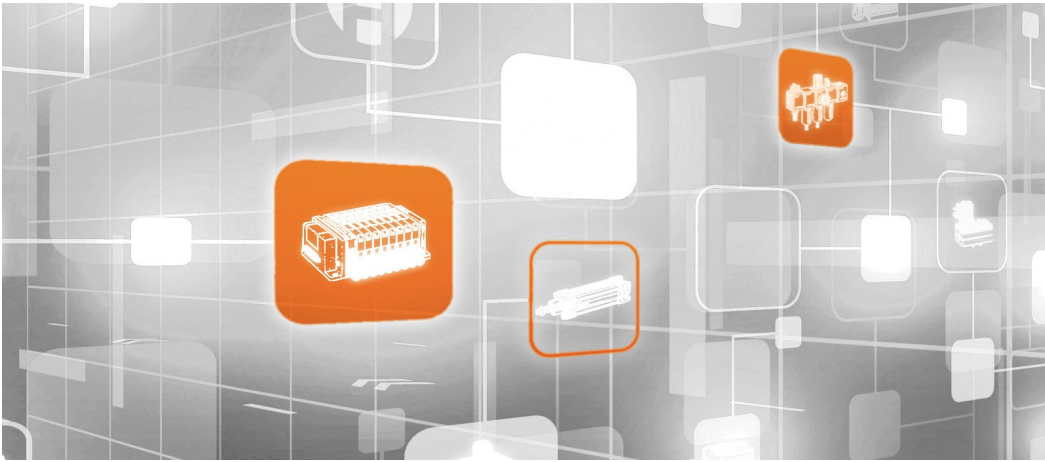
Dimensions



Dimensions in inches

Part No.	∅	A	CA	CB	CD	ER	KK
R432006533	1.50 2.00 2.50	0.88	1.50	0.75	0.50	0.56	1/2-20
R432013437	3.25 4.00	1.13	2.06	1.25	0.75	0.84	7/8-14

Efficient pneumatic solutions, our program: cylinders and drives, valves and valve systems, air supply management



Visit us: [Emerson.com/Aventics](https://www.emerson.com/Aventics)

Your local contact: [Emerson.com/contactus](https://www.emerson.com/contactus)



[Emerson.com](https://www.emerson.com)



[Facebook.com/EmersonAutomationSolutions](https://www.facebook.com/EmersonAutomationSolutions)



[LinkedIn.com/company/Emerson-Automation-Solutions](https://www.linkedin.com/company/Emerson-Automation-Solutions)



[Twitter.com/EMR_Automation](https://www.twitter.com/EMR_Automation)

An example configuration is depicted on the title page. The delivered product may thus vary from that in the illustration. Subject to change. This Document, as well as the data, specifications and other information set forth in it, are the exclusive property of AVENTICS GmbH. It may not be reproduced or given to third parties without its consent. Only use the AVENTICS products shown in industrial applications. Read the product documentation completely and carefully before using the product. Observe the applicable regulations and laws of the respective country. When integrating the product into applications, note the system manufacturer's specifications for safe use of the product. The data specified only serve to describe the product. No statements concerning a certain condition or suitability for a certain application can be derived from our information. The information given does not release the user from the obligation of own judgement and verification. It must be remembered that the products are subject to a natural process of wear and aging.

The Emerson logo is a trademark and service mark of Emerson Electric Co. Brand logotype are registered trademarks of one of the Emerson family of companies. All other marks are the property of their respective owners. © 2021 Emerson Electric Co. All rights reserved.
2021-04



CONSIDER IT SOLVED™