

Specifications

For other materials or modifications, please consult TESCOM.

OPERATING PARAMETERS

Pressure rating per criteria of ANSI/ASME B31.3

Maximum Operating Pressure

316 Stainless Steel Body: 10,000 psig / 690 bar

Brass Body: 6000 psig / 414 bar

Design Proof Pressure

150% of rated pressure

Leakage

Bubble-tight

Operating Temperature

See table

Flow Capacity

$C_v = 0.49$ Angle

$C_v = 0.28$ Globe

Maximum Operating Torque

15 in-lbs / 1.7 N•m



TESCOM VJ Series hand valves offer control pressure of 6000 and 10,000 psig / 414 and 690 bar. Available in angle and globe patterns.

Applications

- Pressure control panels
- Ground Support Equipment (GSE)

Features and Benefits

- Versatile bi-directional flow
- Built-in metallic stop prevents overtightening of the valve
- Angle or globe pattern options are available, easy adaptation
- Designed to be O₂ compatible with correct materials of construction

MEDIA CONTACT MATERIALS

Body

316 Stainless Steel or Brass

Seat

PCTFE, Nylatron, PEEK, PTFE, or Polyimide (Vespe^l)

Back-up Ring

PTFE

O-Ring

Nitrile, Buna-N, Ethylene Propylene, FFKM, Perfluoroelastomer (Kalrez[®]), or FKM (Viton[®]-A)

Remaining Parts

Monel and Brass or Stainless Steel

OTHER

Cleaning

CGA 4.1 and ASTM G93

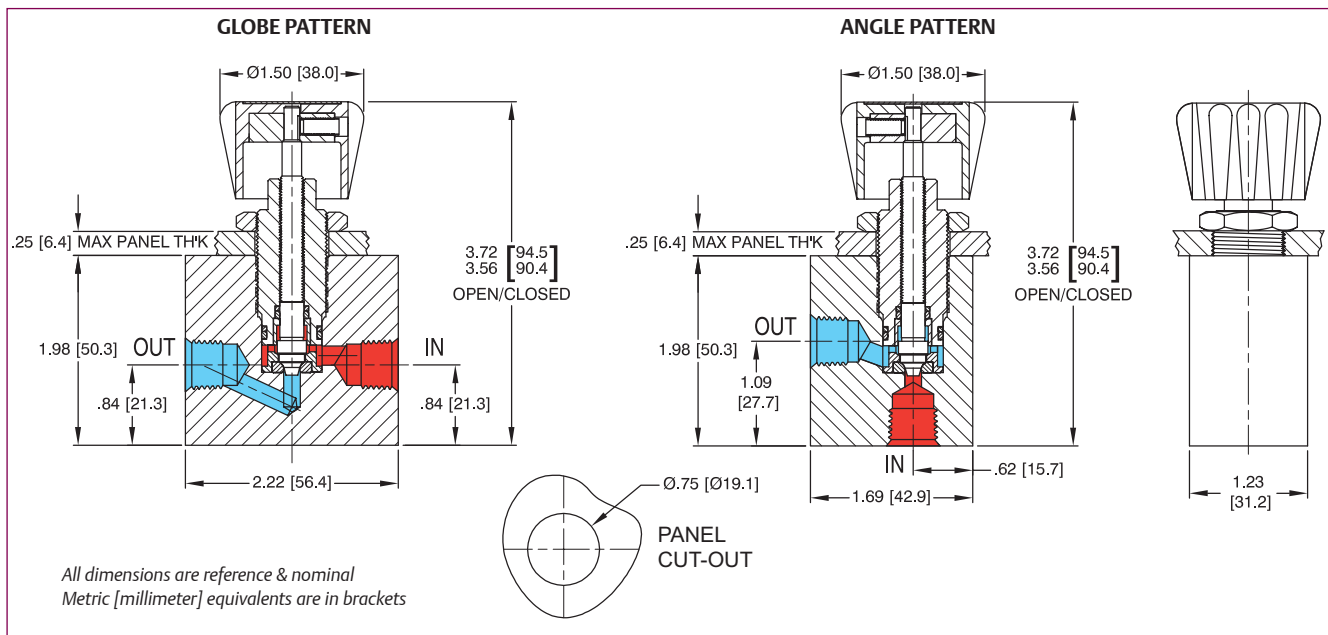
Weight

1.5 lbs / 0.7 kg

Teflon[®], Viton[®], Kalrez[®], and Vespe^l are registered trademarks of E.I. du Pont de Nemours and Company.

VJ SERIES

VJ Series Valve Drawing, Part Number Selector, and Operating Temperature



Repair Kits, Accessories & Modifications may be available for this product. Please contact TESCOM for more information.

Example for selecting a part number:

VJ	1	0	3	04	V	K
BASIC SERIES	BODY MATERIAL	PATTERN TYPE	INLET AND OUTLET PORT TYPE	INLET AND OUTLET PORT SIZE	SEAT MATERIAL	O-RING MATERIAL
VJ	1 – Brass 6 – 316 Stainless Steel	0 – Angle 1 – Globe	0 – BSPP 1 – SAE 2 – NPTF 3 – MS33649	04 – 1/4" 06 – 3/8" (available in globe pattern only)	K – PCTFE P – PEEK T – PTFE V – Polyimide (Vespel®)	D – Nitrile, Buna-N E – Ethylene Propylene K – Kalrez® V – FKM (Viton®-A)

**FFKM, Perfluoroelastomer (Kalrez®)

Operating Temperature

SEAT MATERIAL	O-RING	MAXIMUM OPERATING PRESSURE	OPERATING TEMPERATURE*
PTFE PTFE PTFE PTFE	Nitrile, Buna-N FFKM, Perfluoroelastomer (Kalrez®) FKM (Viton®-A) Ethylene Propylene	Brass: 3500 psig / 241 bar Stainless Steel: 3500 psig / 241 bar	-40°F to 165°F / -40°C to 74°C 20°F to 250°F / -7°C to 121°C -15°F to 250°F / -26°C to 121°C -40°F to 250°F / -40°C to 121°C
PEEK PEEK PEEK PEEK	Nitrile, Buna-N FFKM, Perfluoroelastomer (Kalrez®) FKM (Viton®-A) Ethylene Propylene	Brass: 6000 psig / 414 bar Stainless Steel: 10,000 psig / 690 bar	-40°F to 165°F / -40°C to 74°C 20°F to 250°F / -7°C to 121°C -15°F to 250°F / -26°C to 121°C -15°F to 250°F / -26°C to 121°C
PCTFE PCTFE PCTFE PCTFE	Nitrile, Buna-N FFKM, Perfluoroelastomer (Kalrez®) FKM (Viton®-A) Ethylene Propylene	Brass: 6000 psig / 414 bar Stainless Steel: 6000 psig / 414 bar	-40°F to 165°F / -40°C to 74°C 20°F to 250°F / -7°C to 121°C -15°F to 250°F / -26°C to 121°C -40°F to 250°F / -40°C to 121°C
Polyimide (Vespel®) Polyimide (Vespel®) Polyimide (Vespel®) Polyimide (Vespel®)	Nitrile, Buna-N FFKM, Perfluoroelastomer (Kalrez®) FKM (Viton®-A) Ethylene Propylene	Brass: 6000 psig / 414 bar Stainless Steel: 10,000 psig / 690 bar	-40°F to 165°F / -40°C to 74°C 20°F to 250°F / -7°C to 121°C -15°F to 250°F / -26°C to 121°C -40°F to 250°F / -40°C to 121°C

* Brass body is limited to +200 °F (93 °C) maximum.