

# TESCOM™ VT Air-Operated 3-Way Valves

## 3-Way 2-Position Shutoff Valve

### Specifications

For other materials or modifications, please consult TESCOM.

#### OPERATING PARAMETERS

Pressure rating per criteria of ANSI/ASME B31.3

##### Maximum Operating Pressure

3500, 6000, 10,000 psig / 241, 414, 690 bar

##### Design Proof Pressure

150% maximum rated

##### Design Burst Pressure

Per criteria of ANSI/ASME B31.3

##### Leakage

Internal: Bubble-tight

External: Bubble-tight

##### Operating Temperature

See Part Number Selector

##### Flow Capacity

$C_v = 0.75$

##### Actuation Pressure

Minimum: 80 psig / 5.5 bar

Maximum: 110 psig / 7.6 bar

##### Weight

5 lbs / 2.3 kg

#### MATERIALS CONTACTING LINE MEDIA

##### Body

Brass, 316 Stainless Steel

##### Metallic Trim

316 Stainless Steel, 17-4 Stainless Steel,

Brass (Brass bodies only)

##### Seat

ETFE, PCTFE, PEEK, Polyimide

##### O-Ring

Nitrile, FFKM, Perfluoroelastomer, FKM,

Ethylene Propylene, Urethane

##### Back-up Rings

PTFE for PCTFE and ETFE seats

PCTFE for PEEK and Polyimide seats



3-WAY 2-POSITION  
SHUTOFF VALVE

TESCOM VT Series 3-way air-operated valve provides high cycle life in a compact design.

### Applications

- Component pressure cycle testing
- Two source selector valve
- Fill and dump applications (e.g. airbag canister filling, gas spring filling)
- Emergency shutoff
- Pneumatic and hydraulic applications

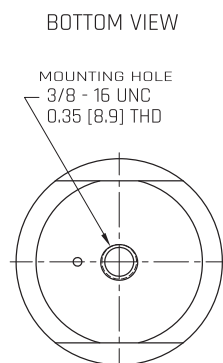
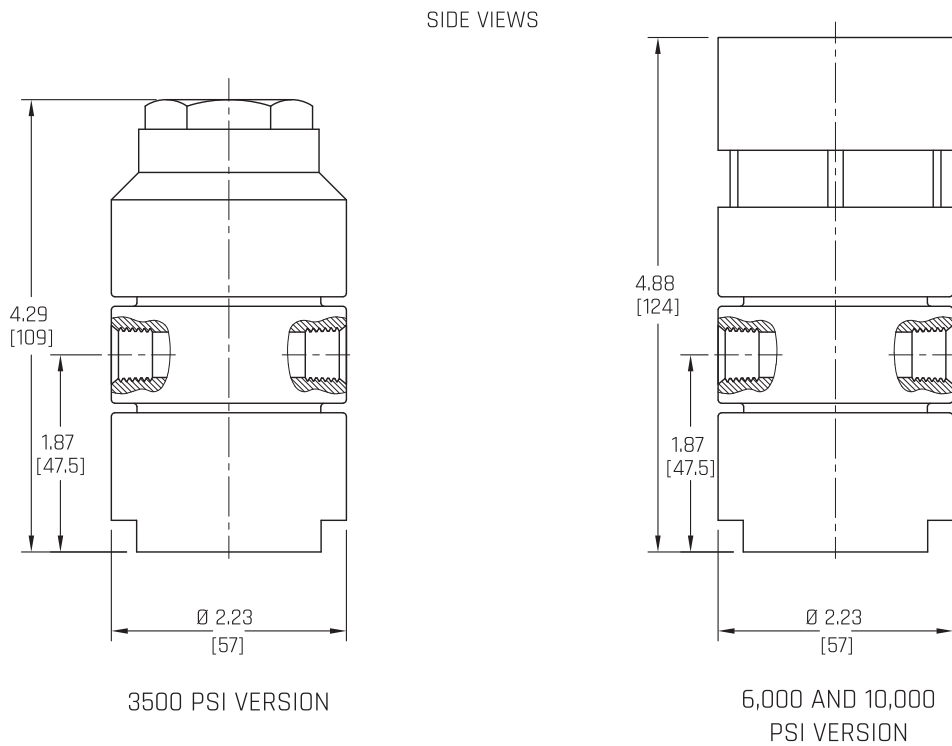
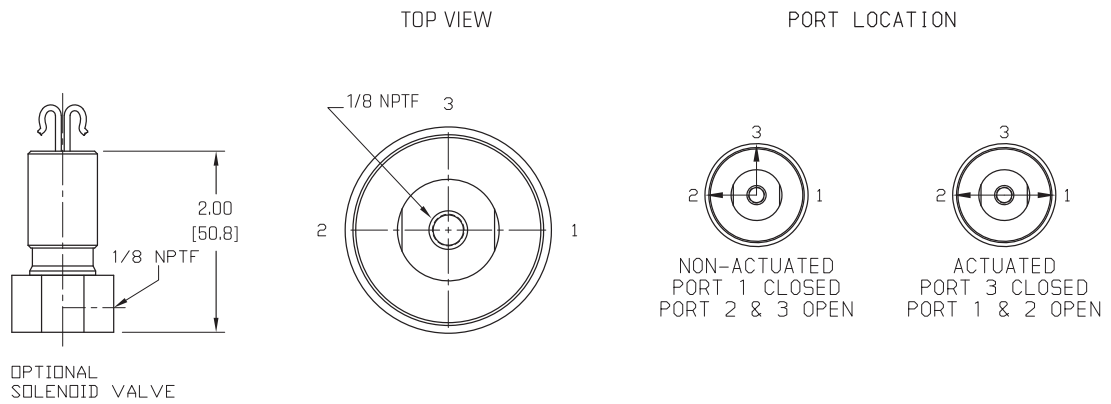
### Features and Benefits

- 3/8" and 1/4" ports
- $C_v = 0.75$
- Balanced main valve
- Solenoid valve is optional
- 3-way 2-position
- Leak tight integrity - Bubble-tight

# TESCOM™ VT Air-Operated 3-Way Valves

3-Way 2-Position Shutoff Valve

## VT Series 3-Way 2-Position Shutoff Valve Drawing



# TESCOM™ VT Air-Operated 3-Way Valves

3-Way 2-Position Shutoff Valve

## VT Series 3-Way 2-Position Shutoff Valve Part Number Selector

*Repair Kits, Accessories & Modifications may be available for this product. Please contact TESCOM for more information.*

*Example for selecting a part number:*

VT	6	AB					9	A	A	A
BASIC SERIES	BODY MATERIAL	CODE	O-RING MATERIAL	OPERATING TEMPERATURE *	SEAT MATERIAL	MAXIMUM OPERATING PRESSURE	OPTIONS	1 PORT LOCATION SIZE AND TYPE	2 PORT LOCATION SIZE AND TYPE	3 PORT LOCATION SIZE AND TYPE
VT 6	1 – Brass 6 – 316 Stainless Steel	AB	Nitrile	-30°F to 140°F -34°C to 60°C	ETFE	Brass body or 316 SST body: 3,500 psig 241 bar	9 – None V – Solenoid valve 24 Volt DC ** W – Solenoid valve 12 Volt DC **	A – 1/4" NPT C – 3/8" NPT E – 1/4" SAE J – 3/8" SAE G – 3/8" AS5202 V – 1/4" MS33649	A – 1/4" NPT C – 3/8" NPT E – 1/4" SAE J – 3/8" SAE G – 3/8" AS5202 V – 1/4" MS33649	A – 1/4" NPT C – 3/8" NPT E – 1/4" SAE J – 3/8" SAE G – 3/8" AS5202 V – 1/4" MS33649
		AK	FFKM	20°F to 140°F -6°C to 60°C						
		AV	FKM	-15°F to 140°F -26°C to 60°C						
		AE	Ethylene Propylene	-30°F to 140°F -34°C to 60°C						
		AU	Urethane	-30°F to 140°F -34°C to 60°C						
		CB	Nitrile	-30°F to 140°F -34°C to 60°C	PCTFE	Brass body or 316 SST body: 3,500 psig 241 bar				
		CK	FFKM	20°F to 140°F -6°C to 60°C						
		CV	FKM	-15°F to 140°F -26°C to 60°C						
		CE	Ethylene Propylene	-30°F to 140°F -34°C to 60°C						
		CU	Urethane	-30°F to 140°F -34°C to 60°C						
		PB	Nitrile	-30°F to 165°F -34°C to 74°C	PEEK	Brass body: 6,000 psig 414 bar  316 Stainless Steel body: 10,000 psig 690 bar				
		PK	FFKM	20°F to 250°F -7°C to 121°C						
		PV	FKM	-15°F to 250°F -26°C to 121°C						
		PE	Ethylene Propylene	-30°F to 250°F -34°C to 121°C						
		PU	Urethane	-30°F to 250°F -34°C to 121°C						
		VB	Nitrile	-30°F to 165°F -34°C to 74°C	Polymide	Brass body: 6,000 psig 414 bar  316 Stainless Steel body: 10,000 psig 690 bar				
		VK	FFKM	20°F to 250°F -7°C to 121°C						
		VV	FKM	-15°F to 250°F -26°C to 121°C						
		VE	Ethylene Propylene	-30°F to 250°F -34°C to 121°C						
		VU	Urethane	-30°F to 250°F -34°C to 121°C						

\* Brass body is limited to 200°F (93°C) maximum.

\*\* Optional Solenoid Valve operating temperature limits:  
32°F to 140°F  
0°C to 60°C