

## Features & Benefits

- Control the ratio of flow between two outlets by varying the actuation pressure
- Engineered with corrosion-resistant stainless steel body
- Balanced valve design provides higher cycle life and smaller footprint than ball valve alternatives
- All wetted parts compatible with hydrogen applications
- Prevent media from escaping the system with leak capture port feature
- Automated remote control when actuated with TESCOM ER5000 controller or ASCOTM pilot valve

## Specifications

For other materials or modifications, please consult TESCOM

## Operating Parameters

Pressure rating per criteria of ANSI/ASME B31.3

### Maximum Operating Pressure

15,000 psig / 1,034 bar

### Design Proof Pressure

150% maximum rated

### Design Burst Pressure

Per criteria of ANSI/ASME B31.3

### Leak Rate

External: Bubble-tight

### Operating Temperature

-30°F to +185°F / -34°C to +85°C

### Flow Capacity

Cv = 0.75

### Actuation Pressure

Minimum: 100 psig / 6.9 bar

Maximum: 120 psig / 8.3 bar

### Hazardous Location Approvals

ATEX IIG Ex h IIB+H2 T6 T1 Gb

### Actuation / Pilot Port

1/4" NPT

### Weight

5 lbs / 2.3 kg



3-Way Proportional VALVE

The TESCOM air-operated 3-way proportional valve accurately controls diverting of high-pressure fluids.

## Materials Contacting Line Media

### Body

316L Stainless Steel

### Metallic Trim

A286 Stainless Steel

316L Stainless Steel

### Seat

Polyimide

### O-Rings

Urethane

### Back-up Rings

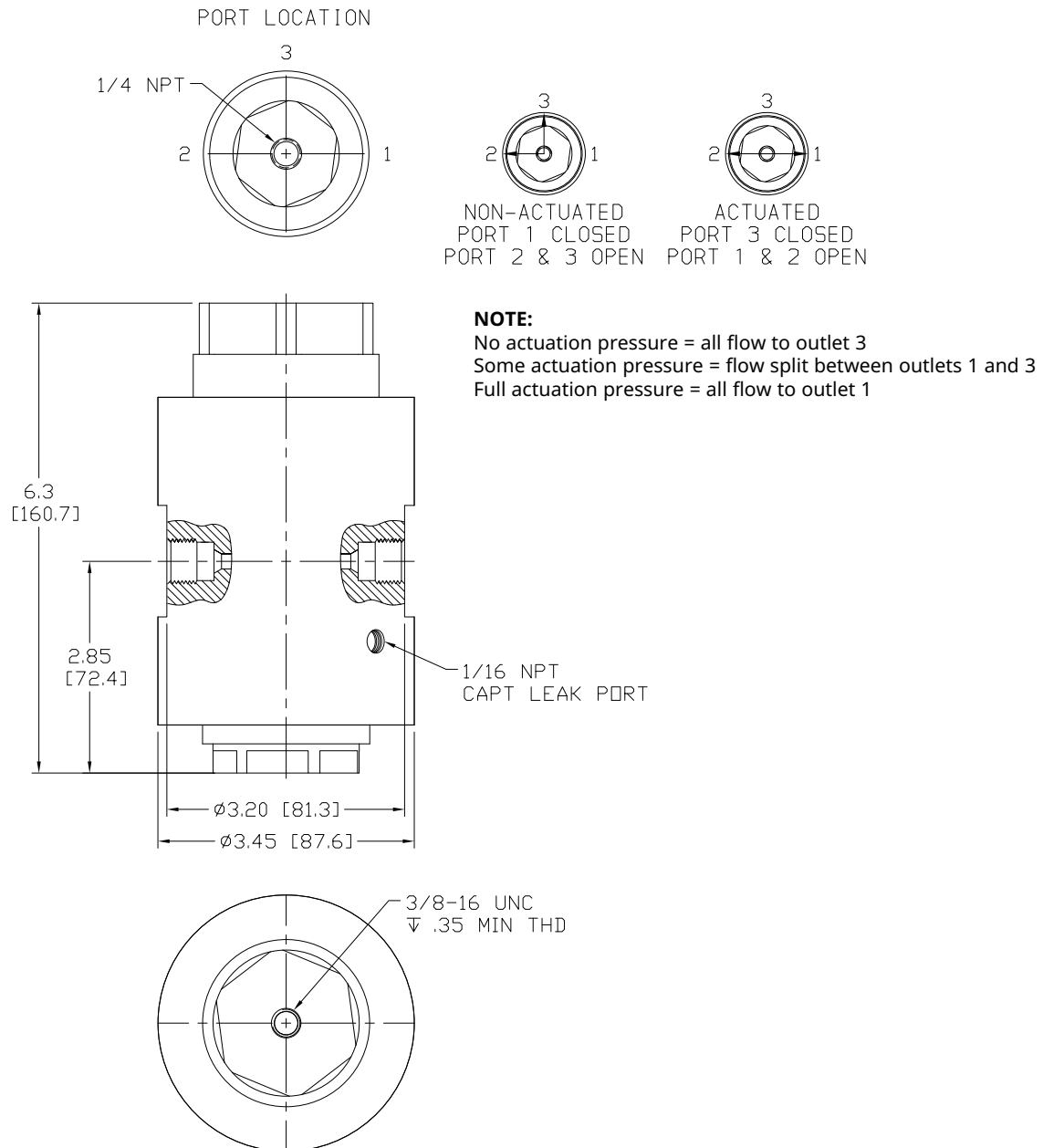
PTFE & PCTFE

## Applications

- Hydrogen refueling stations: divert required portion of fuel through chiller for dispenser pre-cooling
- Industrial gas bypass diverter
- Product designed to function as diverter ONLY (1 inlet; 2 outlets); do NOT use as blender (2 inlets; 1 outlet).

### VT Series 3-Way Proportional Valve Drawing

#### Dimensions: mm (inches)



All dimensions are reference & nominal

### VT Series 3-Way Proportional Valve Part Number Selector

Repair Kits, Accessories & Modifications may be available for this product. Please contact Tescom for more information.

Example for selecting a part number:

VT	6		VU			9	C	C	C	-027	
Basic Series	Body Material	Code	O-Ring material	Operating Temperature	Seat Material	Maximum Operating Pressure	Options	Port Location 1 Size and Type	Port Location 2 Size and Type	Port Location 3 Size and Type	Modification Number
VT	6 - 316L SST 1.4435	VU	Urethane	-30°F to 185°F -34°C to 85°C	Polyimide	15,000 psig 1,034 bar	9 - None	C - 3/8" Medium Pressure	C - 3/8" Medium Pressure	C - 3/8" Medium Pressure	-027
							J - 3/8" High Pressure	J - 3/8" High Pressure	J - 3/8" High Pressure		
							W - 9/16" Medium Pressure	W - 9/16" Medium Pressure	W - 9/16" Medium Pressure		