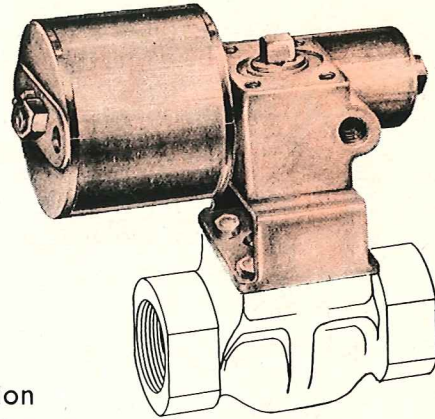


ROTARY VALVE ACTUATORS

CR SERIES

- ★ 90° or 180° turn applications
- ★ Double Acting or Spring Return
- ★ Gas or Air Driven
- ★ Economical and Compact
- ★ Positive Remote Control
- ★ Totally Enclosed and Sealed
- ★ Built-in Adjustable Stops for Precise Position Repeatability
- ★ Patented Centre Bar Design eliminates the friction of piston to cylinder side thrust (Patented in U.S. and Foreign countries. U.S. Patent 3,104,592)
- ★ FAIL SAFE Spring Return to CLOSE or OPEN on loss of operating pressure
- ★ SERVICE SAFE Spring Return. Bettis exclusive, unique internal springloading feature makes it possible for ROBOTARM Actuators to be safely dismantled in the field without special tools
- ★ Easy conversion-Spring Return Units may be converted from open to close or vice versa by turning Actuator over and mounting on opposite fixing pad
- ★ Square Mounting Pads allow parallel or right angle mounting to run of pipeline



Model CR-30 mounted on 1" ball valve.

OPTIONAL EXTRAS

BETTISWITCH—exclusive Weatherproof, Explosion proof or Baseefa certified totally enclosed control switches for end of travel indication or sequence cycling for automated systems.

Solenoid control valves

Pilot operated control valves

Bettis Actuators & Controls Ltd.

Brunel Way, Fareham
Hampshire PO15 5SA
Tel.: Locks Heath (04895) 81111
Telex: 47493

GH-Bettis

7031 Grand Boulevard
P.O. Box 14689
Houston, Texas 77021
(713) 748-1143
Telex: 762713

OUTPUT TORQUE

DOUBLE ACTING Maximum Working Pressure 120 p.s.i. (8.4Kgf/cm² – 8.3 bars)

Actuator Model	Torque lb f. in.	Operating Pressure – lb/in ²							
		40	50	60	70	80	90	100	120
CR30	Running	115	145	180	210	240	275	305	370
CR70	Running	300	375	450	525	600	675	750	900

Actuator Model	Torque Kpm	Operating Pressure – Kgf/cm ²							
		2.8	3.5	4.2	4.9	5.6	6.3	7.0	8.4
CR30	Running	1.32	1.67	2.07	2.42	2.77	3.17	3.51	4.26
CR70	Running	3.46	4.32	5.19	6.05	6.91	7.78	8.64	10.37

Actuator Model	Torque Nm	Operating Pressure – bars							
		2.7	3.4	4.1	4.8	5.5	6.2	6.9	8.3
CR30	Running	13.0	16.4	20.3	23.7	27.1	31.1	34.5	41.8
CR70	Running	33.9	42.4	50.8	59.3	67.8	76.3	84.7	101.7

SPRING RETURN Maximum Working Pressure 100 p.s.i. (7.0Kgf/cm² – 6.9 bars)

Actuator Model	Torque lb f. in.	Operating Pressure – lb/in ²							
		40	50	60	70	80	90	100	100
CR30-SR	Break	Discontinued		80	80	100	100	100	135
	Ending	Discontinued		40	40	50	50	65	
CR70-SR	Break	120	120	200	200	240	240	300	
	Ending	60	60	100	100	120	120	150	

Actuator Model	Torque Kpm	Operating Pressure – Kgf/cm ²							
		2.8	3.5	4.2	4.9	5.6	6.3	7.0	7.0
CR30-SR	Break	Discontinued		0.92	0.92	1.15	1.15	1.56	
	Ending	Discontinued		0.46	0.46	0.57	0.57	0.75	
CR70-SR	Break	1.38	1.38	2.30	2.30	2.76	2.76	3.46	
	Ending	0.69	0.69	1.15	1.15	1.38	1.38	1.73	

Actuator Model	Torque Nm	Operating Pressure – bars							
		2.7	3.4	4.1	4.8	5.5	6.2	6.9	6.9
CR30-SR	Break	Discontinued		9.0	9.0	11.3	11.3	15.2	
	Ending	Discontinued		4.5	4.5	5.6	5.6	7.3	
CR70-SR	Break	13.6	13.6	22.6	22.6	27.1	27.1	33.9	
	Ending	6.8	6.8	11.3	11.3	13.6	13.6	16.9	

