

# Feeding bowls

BB10 - BB63

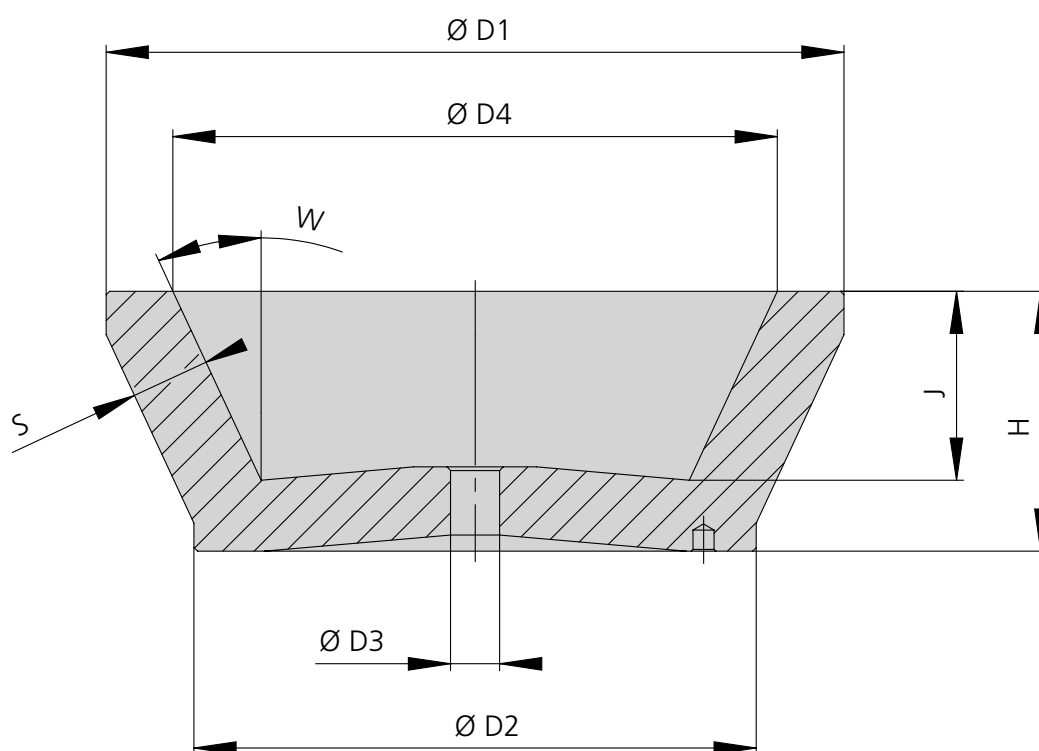


- Perfect adaptation to workpiece shapes and tolerances
- Complete reproducibility and available as FDA version
- Optionally available with standard helix in 3 versions (stepped, grooved, or radial helix)

# Dimensions and dimension drawings

## Blank bowls BB10 - BB63

Type	BB10	BB15	BB20	BB25	BB30	BB35	BB40	BB50	BB63
D1	105 mm	155 mm	210 mm	260 mm	310 mm	365 mm	415 mm	510 mm	630 mm
D2	80 mm	117 mm	170 mm	208 mm	250 mm	275 mm	300 mm	380 mm	450 mm
D3	7 mm	7 mm	9 mm	12 mm	12 mm	12 mm	14 mm	20 mm	22 mm
D4	86 mm	130 mm	179 mm	217 mm	260 mm	305 mm	350 mm	436 mm	500 mm
H	37 mm	52 mm	65 mm	84 mm	98 mm	127 mm	157 mm	224 mm	255 mm
J	26.9 mm	41 mm	50 mm	66.7 mm	78.1 mm	103.9 mm	129.7 mm	185.3 mm	193 mm
S	11.2 mm	14.2 mm	19.4 mm	26.1 mm	30.5 mm	33.7 mm	37.4 mm	56 mm	70 mm
W	25 °	25 °	25 °	25 °	25 °	25 °	25 °	25 °	25 °



# Technical data



## Blank bowls BB10 - BB63

### Blank bowls BB10 - BB63

Type	BB10	BB10	BB15	BB15	BB20	BB20	BB25	BB25	BB30	BB30
<b>Order number</b>	<b>50201071 50238273 50201075 50238298 50201076 50238299 50201077 50238302 50201081 50238303</b>									
Net weight	0.2 kg	0.2 kg	0.4 kg	0.4 kg	1.1 kg	1.1 kg	2.2 kg	2.2 kg	3.7 kg	3.7 kg
Load volume	0.07 l	0.07 l	0.25 l	0.25 l	0.6 l	0.6 l	1.1 l	1.1 l	1.8 l	1.8 l
Moment of inertia	*0.025 kgdm <sup>2</sup>	*0.025 kgdm <sup>2</sup>	*0.15 kgdm <sup>2</sup>	*0.15 kgdm <sup>2</sup>	*0.7 kgdm <sup>2</sup>	*0.7 kgdm <sup>2</sup>	*2.15 kgdm <sup>2</sup>	*2.15 kgdm <sup>2</sup>	*5.1 kgdm <sup>2</sup>	*5.1 kgdm <sup>2</sup>
Material	FDA-polyamide (white)		FDA-polyamide (white)		FDA-polyamide (white)		FDA-polyamide (white)		FDA-polyamide (white)	
Recommended drive	BF10	BF10	BF15, WV151-1	BF15, WV151-1	BF20, WV151-1	BF20, WV151-1	BF25, WV201-1	BF25, WV201-1	BF30, WV201-1	BF30, WV201-1

Type	BB35	BB35	BB40	BB40	BB50	BB50	BB63	BB63
<b>Order number</b>	<b>50201085</b>	<b>50238304</b>	<b>50201086</b>	<b>50238306</b>	<b>50201091</b>	<b>50238308</b>	<b>50196141</b>	<b>50238309</b>
Net weight	5.9 kg	5.9 kg	9 kg	9 kg	21.2 kg	21.2 kg	35.7 kg	35.7 kg
Load volume	3.2 l	3.2 l	5.1 l	5.1 l	9.2 l	9.2 l	15.3 l	15.3 l
Moment of inertia	*11 kgdm <sup>2</sup>	*11 kgdm <sup>2</sup>	*21.3 kgdm <sup>2</sup>	*21.3 kgdm <sup>2</sup>	*79.6 kgdm <sup>2</sup>	*79.6 kgdm <sup>2</sup>	*192.2 kgdm <sup>2</sup>	*192.2 kgdm <sup>2</sup>
Blind plug FDA-polyamide including	---	---	---	---	---	---	•	•
Blind plug polyamide including	---	---	---	---	---	---	•	•
Material	polyamide	FDA-polyamide (white)	polyamide	FDA-polyamide (white)	polyamide	FDA-polyamide (white)	polyamide	FDA-polyamide (white)
Recommended drive	BF35, WV310-1	BF35, WV310-1	BF40	BF40	BF50	BF50	WV401-1, WV402-1	WV401-1, WV402-1

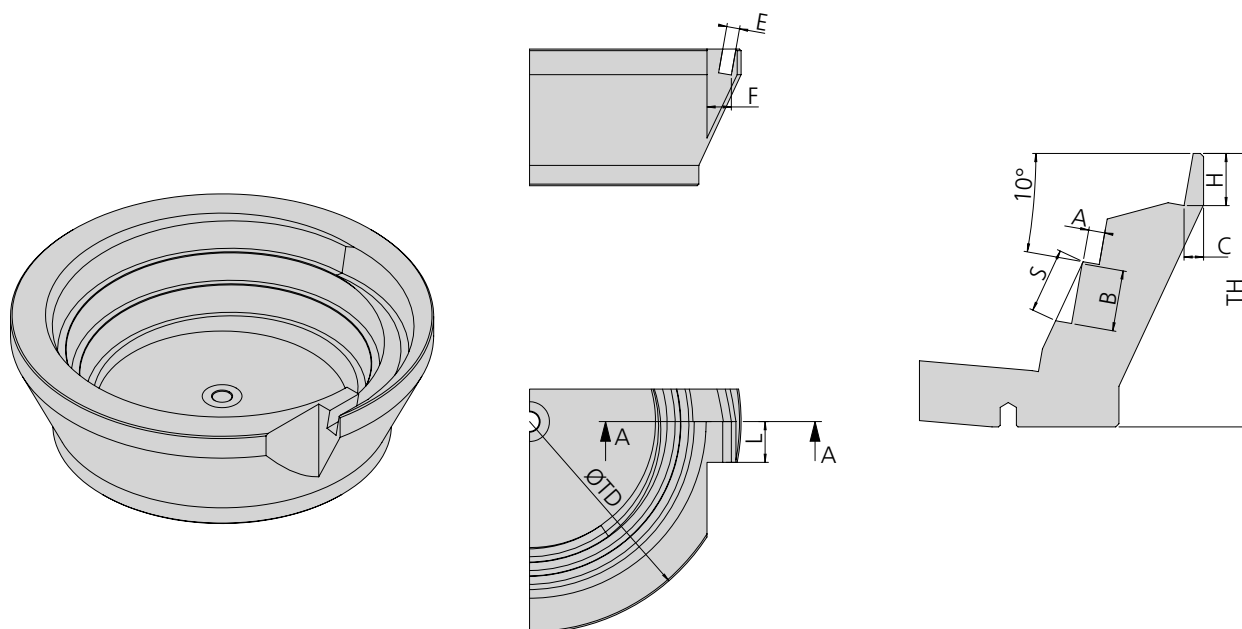
Note: • = existent --- = nonexistent

\* Theoretical value, actual filling volume strongly dependent on the component to be fed and the project-specific framework conditions.

# Dimensions and dimension drawings

## Step helix BB-S

Type	BB10-S	BB15-S	BB20-S	BB25-S	BB30-S	BB35-S	BB40-S	BB50-S
A	2 mm	2.5 mm	4.5 mm	5 mm	6 mm	7.5 mm	9 mm	10 mm
B	7.5 mm	9 mm	16.5 mm	18.5 mm	22 mm	28 mm	33 mm	37 mm
C	2.5 mm	3.5 mm	5 mm	6 mm	7 mm	8.5 mm	11.5 mm	15 mm
E	4 mm	5 mm	6 mm	8 mm	10 mm	12 mm	14 mm	20 mm
F	6 mm	9 mm	12 mm	15 mm	18 mm	21 mm	24 mm	27 mm
H	5 mm	8 mm	12 mm	16 mm	18 mm	20 mm	25 mm	40 mm
L	10 mm	15 mm	20 mm	25 mm	30 mm	35 mm	40 mm	50 mm
S	8 mm	10 mm	18 mm	20 mm	25 mm	30 mm	35 mm	45 mm
TD	105 mm	155 mm	210 mm	260 mm	310 mm	365 mm	415 mm	510 mm
TH	37 mm	52 mm	65 mm	84 mm	98 mm	127 mm	157 mm	219.5 mm





**Step helix BB-S**

Type	BB10-S	BB10-S	BB10-S	BB10-S	BB15-S	BB15-S	BB15-S	BB15-S
<b>Order number</b>	<b>50279239</b>	<b>50279240</b>	<b>50409457</b>	<b>50409555</b>	<b>50279241</b>	<b>50279242</b>	<b>50343381</b>	<b>50409459</b>
Net weight	0.2 kg	0.2 kg	0.2 kg	0.2 kg	0.4 kg	0.4 kg	0.4 kg	0.4 kg
Delivery direction	right	left	right	left	right	left	right	left
Material	polyamide	polyamide	FDA- polyamide (white)	FDA- polyamide (white)	polyamide	polyamide	FDA- polyamide (white)	FDA- polyamide (white)

Type	BB20-S	BB20-S	BB20-S	BB20-S	BB25-S	BB25-S	BB25-S	BB25-S
<b>Order number</b>	<b>50279243</b>	<b>50279244</b>	<b>50409460</b>	<b>50409461</b>	<b>50279245</b>	<b>50279246</b>	<b>50409463</b>	<b>50409464</b>
Net weight	1 kg	1 kg	1 kg	1 kg	2.1 kg	2.1 kg	2.1 kg	2.1 kg
Delivery direction	right	left	right	left	right	left	right	left
Material	polyamide	polyamide	FDA- polyamide (white)	FDA- polyamide (white)	polyamide	polyamide	FDA- polyamide (white)	FDA- polyamide (white)

Type	BB30-S	BB30-S	BB30-S	BB30-S	BB35-S	BB35-S	BB35-S	BB35-S
<b>Order number</b>	<b>50279247</b>	<b>50279248</b>	<b>50409466</b>	<b>50409468</b>	<b>50279249</b>	<b>50279250</b>	<b>50409469</b>	<b>50409470</b>
Net weight	3.4 kg	3.4 kg	3.4 kg	3.4 kg	5.4 kg	5.4 kg	5.4 kg	5.4 kg
Delivery direction	right	left	right	left	right	left	right	left
Material	polyamide	polyamide	FDA- polyamide (white)	FDA- polyamide (white)	polyamide	polyamide	FDA- polyamide (white)	FDA- polyamide (white)

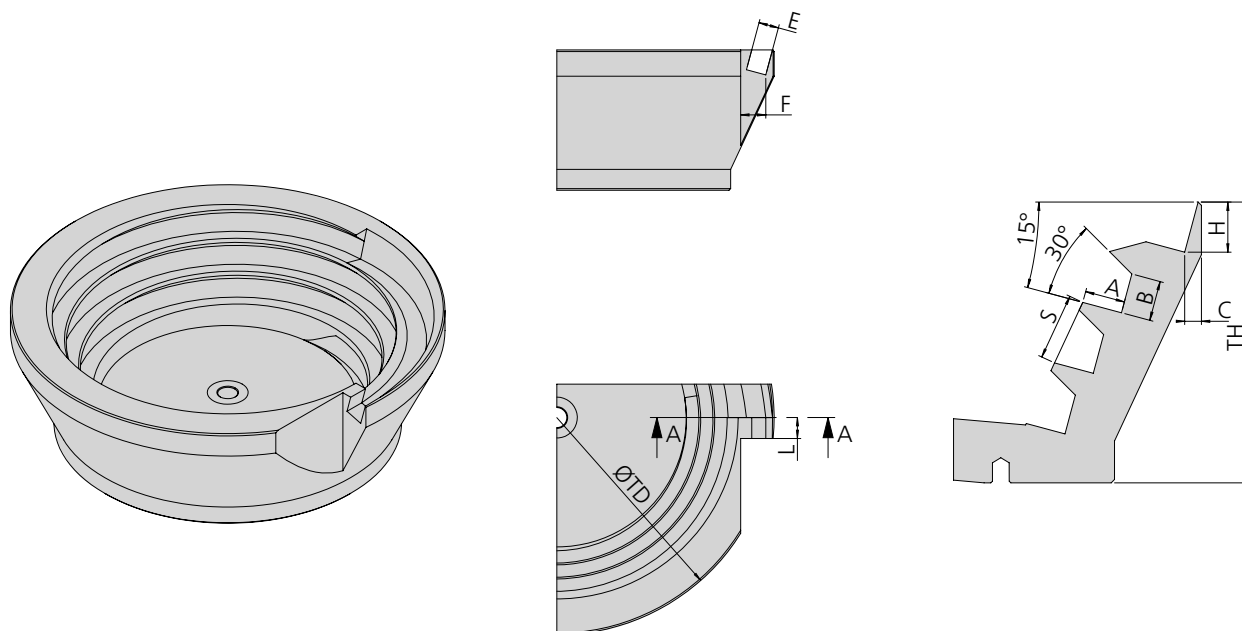
Type	BB40-S	BB40-S	BB40-S	BB40-S	BB50-S	BB50-S	BB50-S	BB50-S
<b>Order number</b>	<b>50279251</b>	<b>50279252</b>	<b>50409474</b>	<b>50409477</b>	<b>50279253</b>	<b>50279254</b>	<b>50409479</b>	<b>50409480</b>
Net weight	8.2 kg	8.2 kg	8.2 kg	8.2 kg	19.8 kg	19.8 kg	19.8 kg	19.8 kg
Delivery direction	right	left	right	left	right	left	right	left
Material	polyamide	polyamide	FDA- polyamide (white)	FDA- polyamide (white)	polyamide	polyamide	FDA- polyamide (white)	FDA- polyamide (white)

Note: For recommended drives and further information, see technical data for bowl blanks. Bowl with FDA approval on request.

# Dimensions and dimension drawings

## Groove helix BB-N

Type	BB10-N	BB15-N	BB20-N	BB25-N	BB30-N	BB35-N	BB40-N	BB50-N
A	4 mm	5 mm	8 mm	12 mm	15 mm	17 mm	19 mm	24 mm
B	4 mm	5 mm	8 mm	12 mm	15 mm	17 mm	19 mm	24 mm
C	2.5 mm	3.5 mm	5 mm	5 mm	7 mm	8.5 mm	10 mm	13 mm
E	4 mm	5 mm	8 mm	12 mm	15 mm	17 mm	19 mm	24 mm
F	6.5 mm	8 mm	11 mm	15 mm	17 mm	20 mm	22 mm	27 mm
H	5 mm	8 mm	12 mm	15 mm	18 mm	20 mm	24 mm	40 mm
L	5 mm	7.5 mm	10 mm	12.5 mm	15 mm	17.5 mm	20 mm	25 mm
S	8 mm	10 mm	18 mm	20 mm	25 mm	30 mm	35 mm	45 mm
TD	105 mm	155 mm	210 mm	260 mm	310 mm	365 mm	415 mm	510 mm
TH	37 mm	52 mm	65 mm	84 mm	98 mm	127 mm	157 mm	219.5 mm





Groove helix BB-N								
Type	BB10-N	BB10-N	BB10-N	BB10-N	BB15-N	BB15-N	BB15-N	BB15-N
<b>Order number</b>	<b>50279255</b>	<b>50279256</b>	<b>50409481</b>	<b>50409482</b>	<b>50279257</b>	<b>50279258</b>	<b>50409483</b>	<b>50409484</b>
Net weight	0.1 kg	0.1 kg	0.1 kg	0.1 kg	0.4 kg	0.4 kg	0.4 kg	0.4 kg
Delivery direction	right	left	right	left	right	left	right	left
Material	polyamide	polyamide	FDA- polyamide (white)	FDA- polyamide (white)	polyamide	polyamide	FDA- polyamide (white)	FDA- polyamide (white)

Type	BB20-N	BB20-N	BB20-N	BB20-N	BB25-N	BB25-N	BB25-N	BB25-N
<b>Order number</b>	<b>50279259</b>	<b>50279260</b>	<b>50409485</b>	<b>50409487</b>	<b>50279261</b>	<b>50279262</b>	<b>50409489</b>	<b>50409493</b>
Net weight	1 kg	1 kg	1 kg	1 kg	1.8 kg	1.8 kg	1.8 kg	1.8 kg
Delivery direction	right	left	right	left	right	left	right	left
Material	polyamide	polyamide	FDA- polyamide (white)	FDA- polyamide (white)	polyamide	polyamide	FDA- polyamide (white)	FDA- polyamide (white)

Type	BB30-N	BB30-N	BB30-N	BB30-N	BB35-N	BB35-N	BB35-N	BB35-N
<b>Order number</b>	<b>50279263</b>	<b>50279264</b>	<b>50409496</b>	<b>50409499</b>	<b>50279265</b>	<b>50279266</b>	<b>50409500</b>	<b>50409501</b>
Net weight	3 kg	3 kg	3 kg	3 kg	4.7 kg	4.7 kg	4.7 kg	4.7 kg
Delivery direction	right	left	right	left	right	left	right	left
Material	polyamide	polyamide	FDA- polyamide (white)	FDA- polyamide (white)	polyamide	polyamide	FDA- polyamide (white)	FDA- polyamide (white)

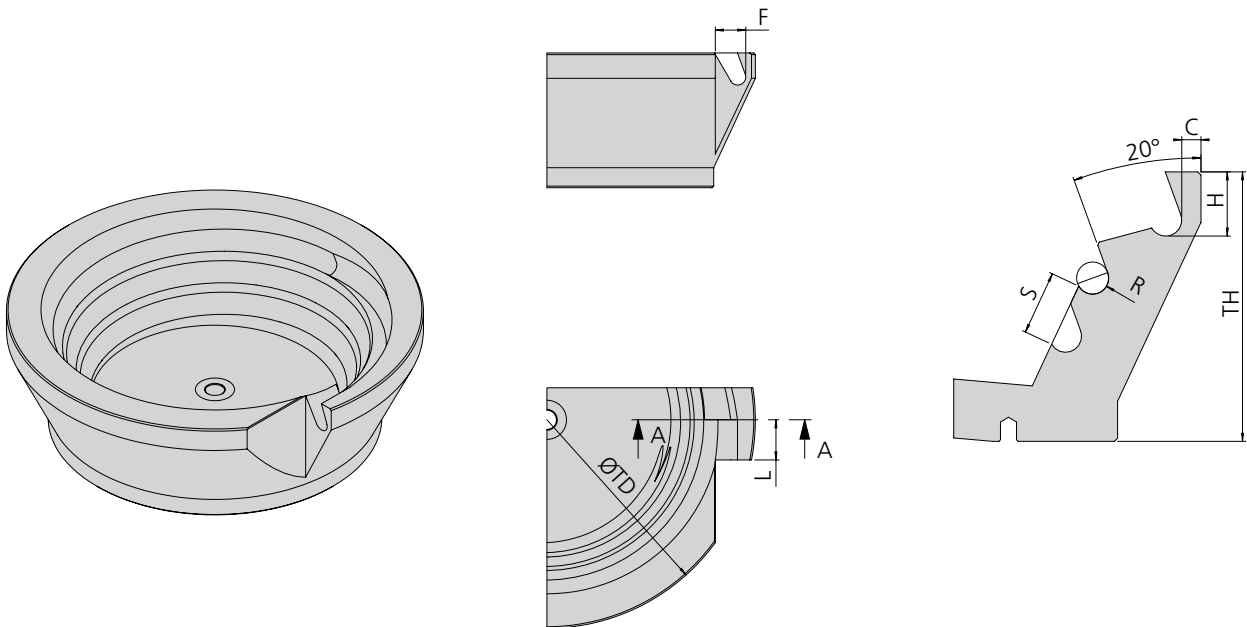
Type	BB40-N	BB40-N	BB40-N	BB40-N	BB50-N	BB50-N	BB50-N	BB50-N
<b>Order number</b>	<b>50279267</b>	<b>50279268</b>	<b>50409503</b>	<b>50409505</b>	<b>50279269</b>	<b>50279270</b>	<b>50409508</b>	<b>50409509</b>
Net weight	7.2 kg	7.2 kg	7.2 kg	7.2 kg	17.3 kg	17.3 kg	17.3 kg	17.3 kg
Delivery direction	right	left	right	left	right	left	right	left
Material	polyamide	polyamide	FDA- polyamide (white)	FDA- polyamide (white)	polyamide	polyamide	FDA- polyamide (white)	FDA- polyamide (white)

Note: For recommended drives and further information, see technical data for bowl blanks. Bowl with FDA approval on request.

# Dimensions and dimension drawings

## Radius helix BB-R

Type	BB10-R	BB15-R	BB20-R	BB25-R	BB30-R	BB35-R	BB40-R	BB50-R
C	1.5 mm	2.6 mm	4 mm	6 mm	6.5 mm	9 mm	10 mm	7.5 mm
F	9 mm	10.5 mm	14 mm	19 mm	22 mm	23.8 mm	27.5 mm	39.5 mm
H	8 mm	10 mm	15 mm	20 mm	25 mm	30 mm	35 mm	45 mm
L	10 mm	15 mm	20 mm	25 mm	30 mm	35 mm	40 mm	50 mm
S	8 mm	10 mm	18 mm	20 mm	25 mm	30 mm	35 mm	45 mm
R	2 mm	2.5 mm	4 mm	5 mm	6.5 mm	8 mm	9 mm	12.5 mm
TD	105 mm	155 mm	210 mm	260 mm	310 mm	365 mm	415 mm	510 mm
TH	37 mm	52 mm	65 mm	84 mm	98 mm	127 mm	157 mm	219.5 mm







### Radius helix BB-R

Type	BB10-R	BB10-R	BB10-R	BB10-R	BB15-R	BB15-R	BB15-R	BB15-R
<b>Order number</b>	<b>50279271</b>	<b>50279272</b>	<b>50409510</b>	<b>50409511</b>	<b>50279273</b>	<b>50279274</b>	<b>50403835</b>	<b>50403837</b>
Net weight	0.2 kg	0.2 kg	0.2 kg	0.2 kg	0.4 kg	0.4 kg	0.4 kg	0.4 kg
Delivery direction	right	left	right	left	right	left	right	left
Material	polyamide	polyamide	FDA- polyamide (white)	FDA- polyamide (white)	polyamide	polyamide	FDA- polyamide (white)	FDA- polyamide (white)

Type	BB20-R	BB20-R	BB20-R	BB20-R	BB25-R	BB25-R	BB25-R	BB25-R
<b>Order number</b>	<b>50279275</b>	<b>50279276</b>	<b>50409517</b>	<b>50409518</b>	<b>50279277</b>	<b>50279278</b>	<b>50409520</b>	<b>50409521</b>
Net weight	1 kg	1 kg	1 kg	1 kg	2 kg	2 kg	2 kg	2 kg
Delivery direction	right	left	right	left	right	left	right	left
Material	polyamide	polyamide	FDA- polyamide (white)	FDA- polyamide (white)	polyamide	polyamide	FDA- polyamide (white)	FDA- polyamide (white)

Type	BB30-R	BB30-R	BB30-R	BB30-R	BB35-R	BB35-R	BB35-R	BB35-R
<b>Order number</b>	<b>50279279</b>	<b>50279280</b>	<b>50403839</b>	<b>50403840</b>	<b>50279281</b>	<b>50279282</b>	<b>50409524</b>	<b>50409525</b>
Net weight	3.3 kg	3.3 kg	3.3 kg	3.3 kg	5.2 kg	5.2 kg	5.2 kg	5.2 kg
Delivery direction	right	left	right	left	right	left	right	left
Material	polyamide	polyamide	FDA- polyamide (white)	FDA- polyamide (white)	polyamide	polyamide	FDA- polyamide (white)	FDA- polyamide (white)

Type	BB40-R	BB40-R	BB40-R	BB40-R	BB50-R	BB50-R	BB50-R	BB50-R
<b>Order number</b>	<b>50279283</b>	<b>50279284</b>	<b>50409526</b>	<b>50409528</b>	<b>50279286</b>	<b>50279285</b>	<b>50409529</b>	<b>50409530</b>
Net weight	7.8 kg	7.8 kg	7.8 kg	7.8 kg	18.2 kg	18.2 kg	18.2 kg	18.2 kg
Delivery direction	right	left	right	left	left	right	right	left
Material	polyamide	polyamide	FDA- polyamide (white)	FDA- polyamide (white)	polyamide	polyamide	FDA- polyamide (white)	FDA- polyamide (white)

Note: For recommended drives and further information, see technical data for bowl blanks. Bowl with FDA approval on request.