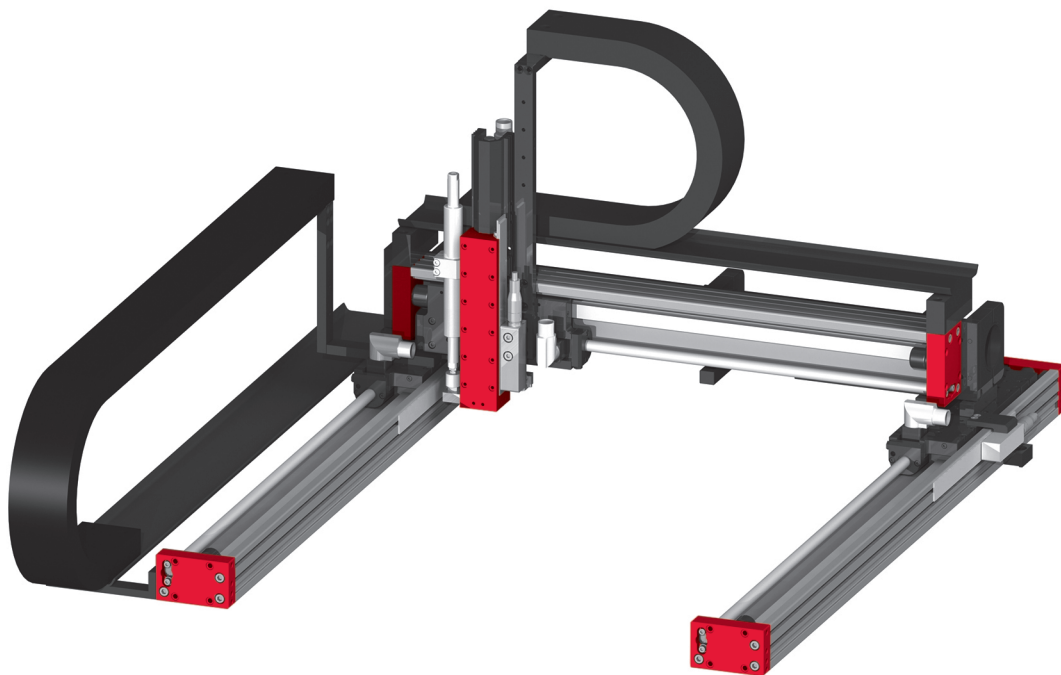


Electrical handling systems

EPS mini gantry XXYZ

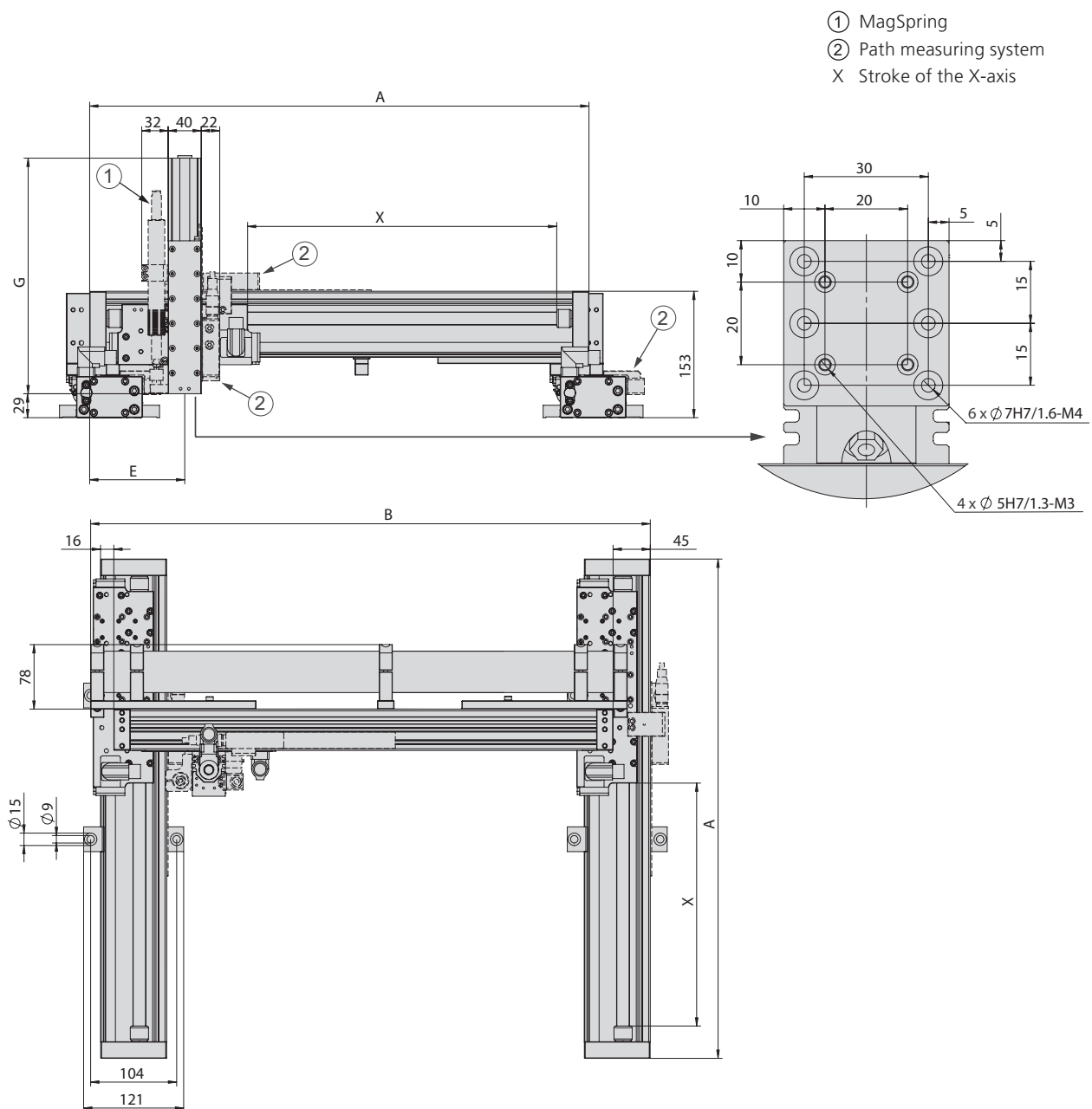


- Lightweight axes for short cycle times
- For precise palletizing tasks with low part weight
- Z-stroke up to 300 mm

Dimensions

EPS mini gantry XXYZ

| Type | A | B | E | G |
|-------------|------------|-----------|--------|--------|
| PEL20-X-SL | X + 234 mm | A + 61 mm | 114 mm | |
| PEL20-X | X + 314 mm | A + 61 mm | 155 mm | |
| ES20-50-SL | | | | 192 mm |
| ES20-100-SL | | | | 285 mm |
| ES20-200 | | | | 365 mm |
| ES20-300 | | | | 495 mm |



| EPS mini gantry XXYZ | |
|--|--------------------------|
| Order number | 50444425 |
| Drive type | electrical, linear motor |
| Repeat accuracy | ± 0.05 mm |
| - with external path measuring system (1 µm) | ± 0.02 mm |
| Temperature range | 0 ... 50 °C |
| Control block with 5/3, 5/2 or vacuum units | up to 6 valves |

| Type | X-axis | |
|-------------------|--------------------------------|--|
| Axis | PEL20 | |
| Stroke horizontal | 60, 130, 190, 290, 470, 560 mm | |
| Maximum speed | 4.8 m/s | |
| Peak force | 137 N | |
| Permanent force | 31 N | |

| Type | Y-axis | |
|-------------------|--------------------------------|--------------------------------|
| Axis | PEL20-SL | PEL20 |
| Stroke horizontal | 80, 140, 210, 270, 550, 640 mm | 60, 130, 190, 290, 470, 560 mm |
| Maximum speed | 6.8 m/s | 4.8 m/s |
| Peak force | 67 N | 137 N |
| Permanent force | 15 N | 31 N |

| Type | Z-axis | |
|-----------------|---------|------------------|
| Axis | ES20 | ES20 |
| Stroke vertical | 50 mm | 100, 200, 300 mm |
| Maximum speed | 6.8 m/s | 4.8 m/s |
| Peak force | 67 N | 137 N |
| Permanent force | 15 N | 31 N |

Included in the delivery *

- 2x Ø 5h6 Centring sleeves
- 2x Ø 7h6 Centring sleeves
- MagSpring or compensation spring
- Hose or drag chain
- Motor cable
- Completely wired
- Controller parametrised
- Gantry bracing
- Attachment blocs

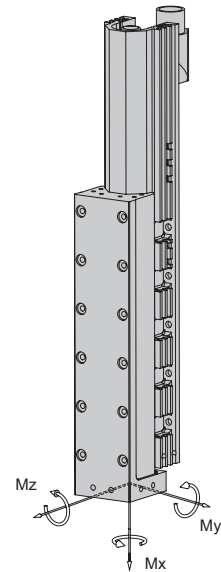
Accessories

- (Catalogue HT accessories)
- Valve block
- (Catalogue HT components linear)
- Path measuring system
- (Catalog HT components gripping/rotating)
- Rotary module
 - Gripper module

* Deviations possible depending on installed peripherals

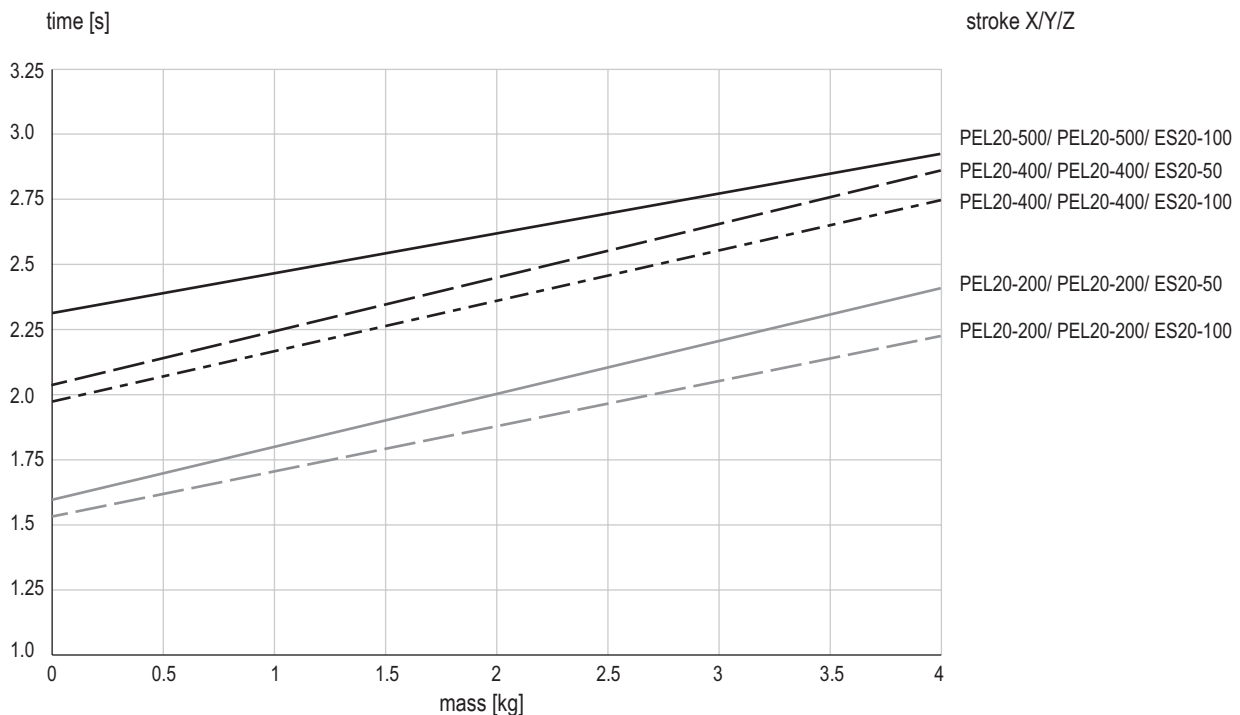
Warranty: 24 months following commissioning, but a maximum of 27 months following delivery

| Type | ES20-SL | ES20 |
|-------------------|---------|-------|
| Dynamic torque Mx | 5 Nm | 5 Nm |
| Dynamic torque My | 25 Nm | 50 Nm |
| Dynamic torque Mz | 25 Nm | 50 Nm |



| Payload (centric) | | | |
|-------------------|-------------|--------------|--------------|
| Stroke Y | 60 - 270 mm | 290 - 370 mm | 470 - 640 mm |
| Stroke Z | | | |
| 50 mm | 4 kg | 4 kg | 3 kg |
| 100 mm | 4 kg | 3 kg | 2 kg |
| 200 mm | 3 kg | 2 kg | 1 kg |

Cycle times EPS mini gantry XXYZ for Pick & Place



Times including 2 x 100 ms gripping time

Comment:

The values in the chart correspond to a Pick-and-Place cycle (6 subsequent movements + 2 x 100 ms gripping time). The indicated mass is centrally installed at the vertical linear unit. Standstill times of handling permit shorter movement times. In exceptions, e.g. at eccentric mass or high requirements to accuracy, the value may be exceeded.