

# Electrical handling systems

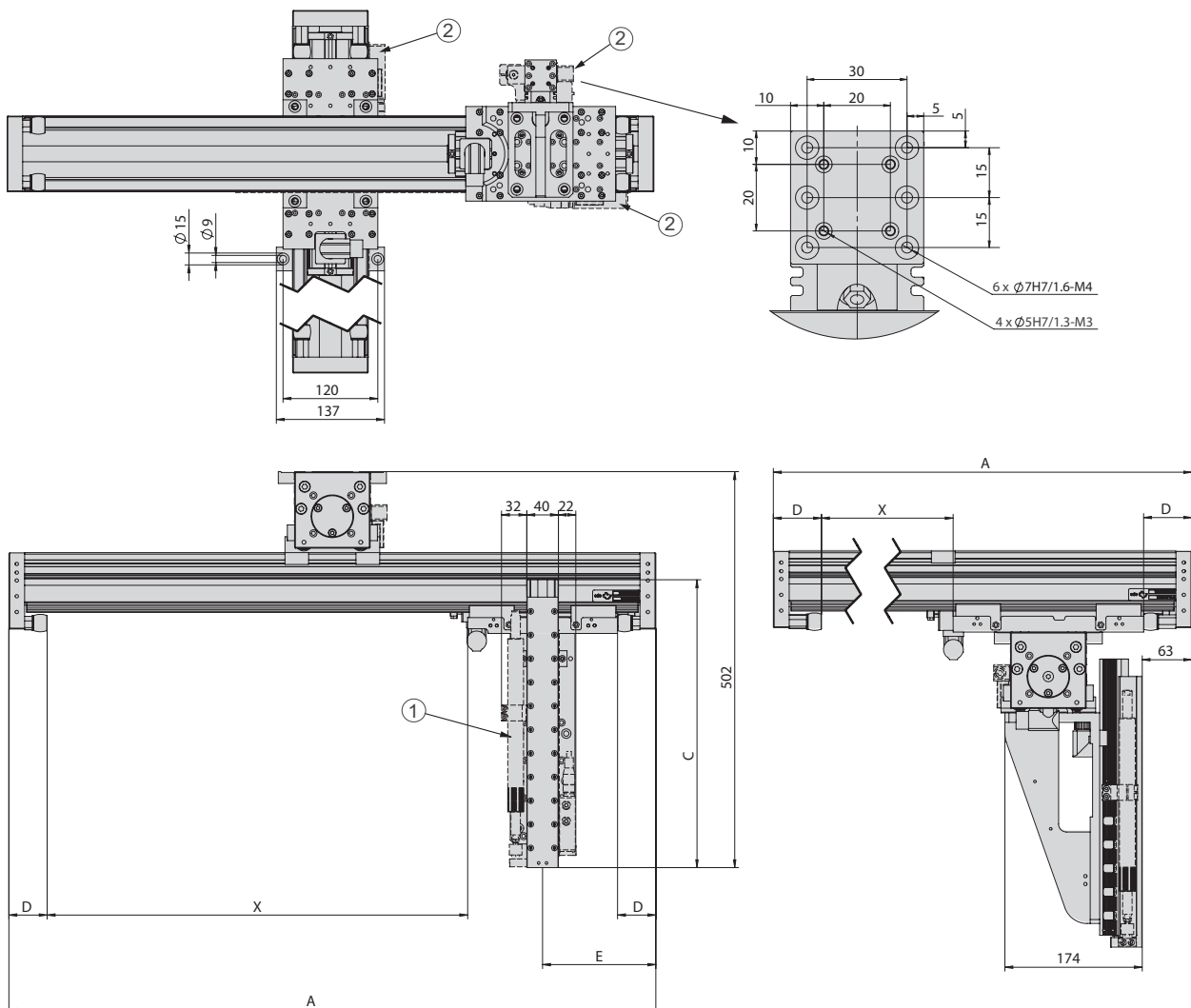
## EPS midi gantry h



- Lateral boom up to 1130 mm stroke
- Stiffest connection between X- and Y-axis
- Double guide in X- and Y-axis

Type	A	C	D	E
PDL40-X-D27	X + 340 mm		49 mm	169 mm
PDL40-X-D28	X + 370 mm		64 mm	182 mm
PDL40-X-HP-D27	X + 460 mm		49 mm	230 mm
PDL40-X-HP-D28	X + 490 mm		64 mm	242 mm
PDL30-X-D19	X + 270 mm		40 mm	134 mm
PDL30-X-D20	X + 290 mm		50 mm	144 mm
ES20-50		192 mm		
ES20-100		285 mm		
ES20-200		365 mm		
ES20-300		495 mm		

- ① MagSpring
- ② Path measuring system
- X Stroke of the X-, Y-axis



EPS midi gantry h				
<b>Order number</b>	<b>50444420</b>			
Drive type	electrical, linear motor			
Repeat accuracy	± 0.05 mm			
- with external path measuring system (1 µm)	± 0.02 mm			
Temperature range	0 ... 50 °C			
Control block with 5/3, 5/2 or vacuum units	up to 6 valves			

Type	X-axis			
Axis	PDL40	PDL40-HP		
Stroke horizontal	70, 160, 170, 230, 280, 320, 370, 440, 460, 530, 580, 670, 880, 1060, 1270, 1480, 1660 mm	160, 200, 250, 320, 340, 410, 460, 550, 760, 940, 1150, 1360, 1540 mm		
Maximum speed	3 m/s	2 m/s		
Peak force	550 N	1024 N		
Permanent force	145 N	203 N		

Type	Y-axis			
Axis	PDL30	PDL40	PDL40-HP	
Stroke horizontal	90, 130, 150, 230, 250, 330, 350, 430, 450, 530, 550, 630, 650, 730, 930, 1130 mm	70, 160, 170, 230, 280, 320, 370, 440, 460, 530, 580, 670, 880, 1060 mm	160, 200, 250, 320, 340, 410, 460, 550, 760, 940 mm	
Maximum speed	3.2 m/s	3 m/s	2 m/s	
Peak force	255 N	550 N	1024 N	
Permanent force	51 N	145 N	203 N	

Type	Z-axis			
Axis	ES20	ES20	ES20	ES20
Stroke vertical	50 mm	100 mm	200 mm	300 mm
Maximum speed	6.8 m/s	4.8 m/s	4.8 m/s	4.8 m/s
Peak force	67 N	137 N	137 N	137 N
Permanent force	15 N	31 N	31 N	31 N

### Included in the delivery \*

- 2x Ø 5h6 Centring sleeves
- 2x Ø 7h6 Centring sleeves
- MagSpring or compensation spring
- Hose or drag chain
- Motor cable
- Completely wired
- Controller parametrised
- Gantry bracing
- Attachment blocs

\* Deviations possible depending on installed peripherals

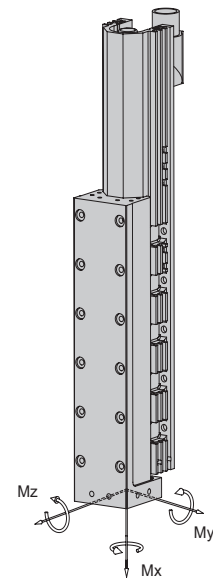
### Accessories

- (Catalogue HT accessories)
- Valve block
  - Clamping element
- (Catalogue HT components linear)
- Path measuring system
- (Catalog HT components gripping/rotating)
- Rotary module
  - Gripper module

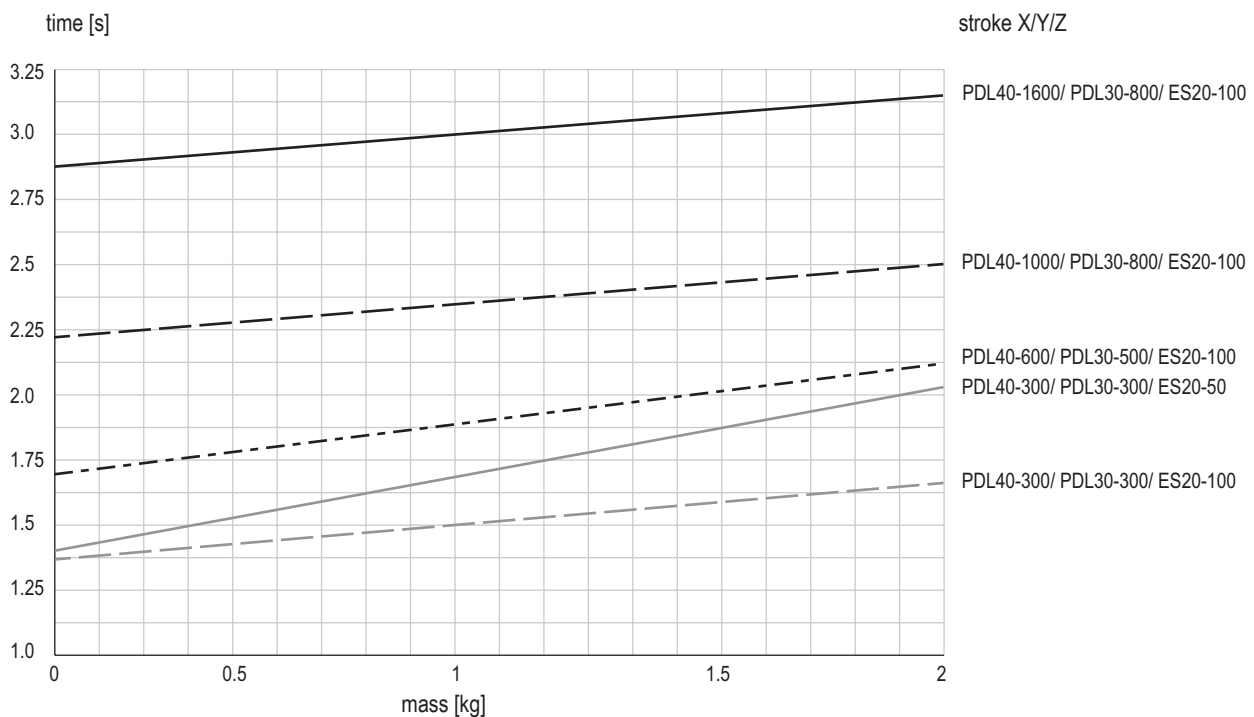
Warranty: 24 months following commissioning, but a maximum of 27 months following delivery

Tye	ES20-SL	ES20
Dynamic torque Mx	5 Nm	5 Nm
Dynamic torque My	25 Nm	50 Nm
Dynamic torque Mz	25 Nm	50 Nm

Payload (centric)		
Stroke Z	Stroke Y	
	90 - 630 mm	670 - 1130 mm
50 mm	4 kg	3 kg
100 mm	3 kg	2 kg
200 mm	1 kg	0.5 kg
300 mm	0.5 kg	-



## Cycle times EPS midi gantry h for Pick & Place



Times including 2 x 100 ms gripping time

### Comment:

The values in the chart correspond to a Pick-and-Place cycle (6 subsequent movements + 2 x 100 ms gripping time). The indicated mass is centrally installed at the vertical linear unit. Standstill times of handling permit shorter movement times. In exceptions, e.g. at eccentric mass or high requirements to accuracy, the value may be exceeded.