

Electrical handling systems

EPS midi gantry s

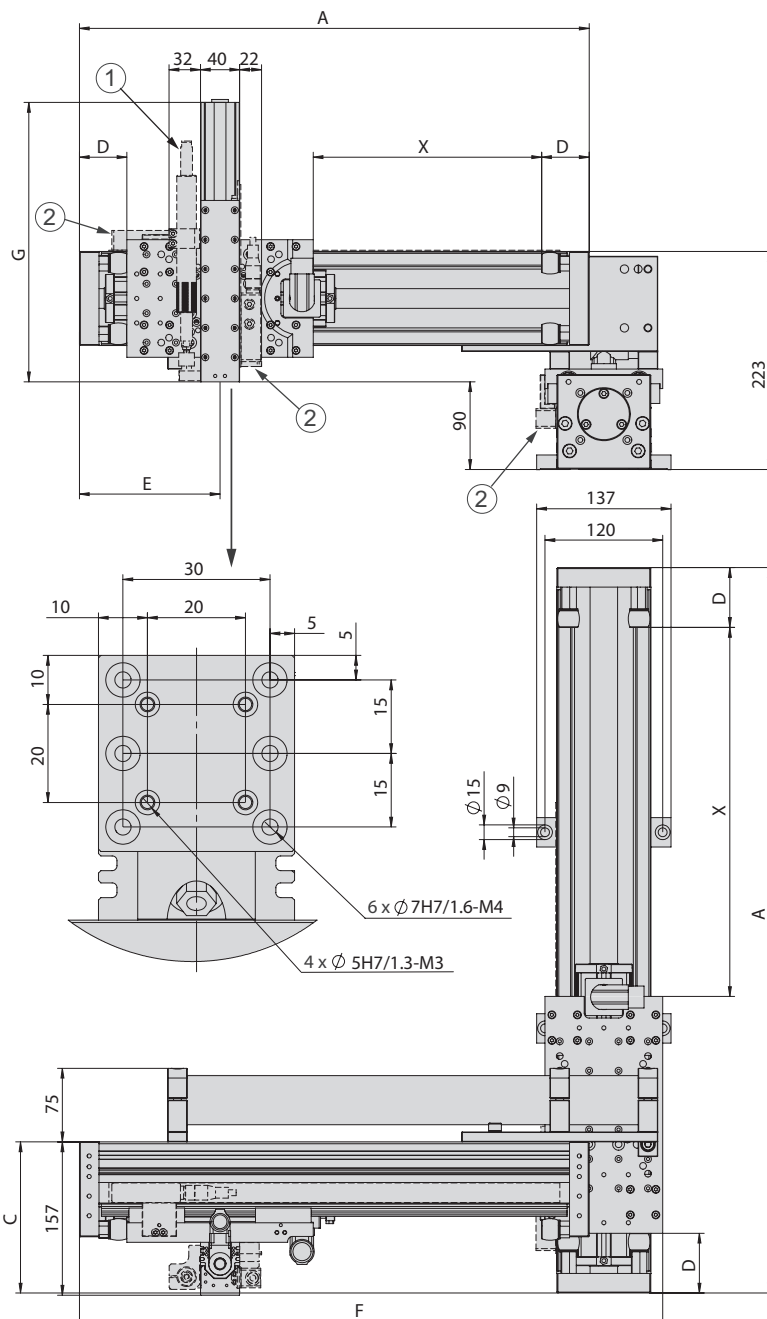


- Lateral boom up to 630 mm stroke
- Stiff Y-axis due to double guide
- Portal axes with high force

Dimensions

EPS midi gantry s

Type	A	C	D	E	F	G
PDL30-X-D19	X + 270 mm	134 mm	40 mm	134 mm	A + 75 mm	
PDL30-X-D20	X + 290 mm	144 mm	50 mm	144 mm	A + 75 mm	
PDL40-X-D27	X + 340 mm	143 mm	49 mm	169 mm	A + 75 mm	
PDL40-X-D28	X + 370 mm	158 mm	64 mm	182 mm	A + 75 mm	
PDL40-X-HP-D27	X + 460 mm	202 mm	49 mm	230 mm	A + 75 mm	
PDL40-X-HP-D28	X + 490 mm	215 mm	64 mm	242 mm	A + 75 mm	
ES20-50-SL						192 mm
ES20-100-SL						285 mm
ES20-200						365 mm
ES20-300						495 mm



- ① MagSpring
- ② Path measuring system
- X Stroke of the X-, Y-axis

EPS midi gantry s	
Order number	50444423
Drive type	electrical, linear motor
Repeat accuracy	± 0.05 mm
- with external path measuring system (1 µm)	± 0.02 mm
Temperature range	0 ... 50 °C
Control block with 5/3, 5/2 or vacuum units	up to 6 valves

Type	X-axis	
Axis	PDL40	PDL40-HP
Stroke horizontal	70, 160, 170, 230, 280, 320, 370, 440, 460, 530, 580, 670, 880, 1060, 1270, 1480, 1660 mm	160, 200, 250, 320, 340, 410, 460, 550, 760, 940, 1150, 1360, 1540 mm
Maximum speed	3 m/s	2 m/s
Peak force	550 N	1024 N
Permanent force	145 N	203 N

Type	Y-axis		
Axis	PDL30	PDL40	PDL40-HP
Stroke horizontal	90, 130, 150, 230, 250, 330, 350, 430, 450, 530, 550, 630 mm	70, 160, 170, 230, 280, 320, 370, 440, 460, 530, 580 mm	160, 200, 250, 320, 340, 410, 460, 550 mm
Maximum speed	3.2 m/s	3 m/s	2 m/s
Peak force	255 N	550 N	1024 N
Permanent force	51 N	145 N	203 N

Type	Z-axis	
Axis	ES20	ES20
Stroke vertical	50 mm	100, 200, 300 mm
Maximum speed	6.8 m/s	4.8 m/s
Peak force	67 N	137 N
Permanent force	15 N	31 N

Included in the delivery *

- 2x Ø 5h6 Centring sleeves
- 2x Ø 7h6 Centring sleeves
- MagSpring or compensation spring
- Hose or drag chain
- Motor cable
- Completely wired
- Controller parametrised
- Gantry bracing
- Attachment blocs

Accessories

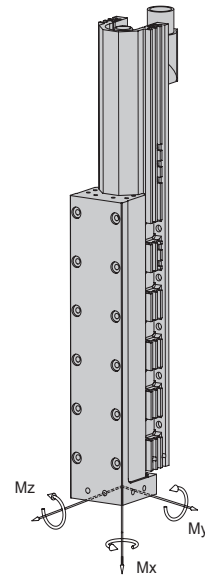
- (Catalogue HT accessories)
- Valve block
 - Clamping element
- (Catalogue HT components linear)
- Path measuring system
- (Catalog HT components gripping/rotating)
- Rotary module
 - Gripper module

* Deviations possible depending on installed peripherals

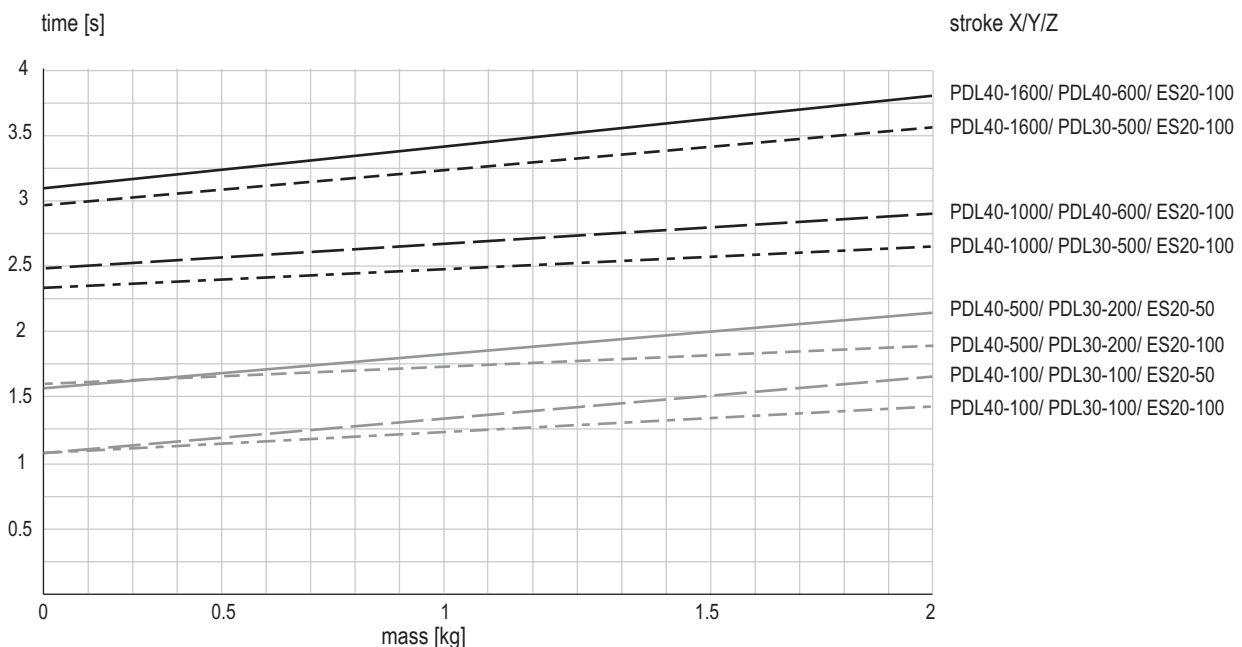
Warranty: 24 months following commissioning, but a maximum of 27 months following delivery

Type	ES20-SL	ES20
Dynamic torque Mx	5 Nm	5 Nm
Dynamic torque My	25 Nm	50 Nm
Dynamic torque Mz	25 Nm	50 Nm

Payload (centric)			
Stroke Y	60 - 230 mm	250 - 430 mm	450 - 630 mm
Stroke Z			
50 mm	4 kg	3 kg	1.5 kg
100 mm	3 kg	2 kg	1 kg
200 mm	2 kg	1 kg	0.5 kg
300 mm	1 kg	0.5 kg	-



Cycle times EPS midi gantry s for Pick & Place



Times including 2 x 100 ms gripping time

Comment:

The values in the chart correspond to a Pick-and-Place cycle (6 subsequent movements + 2 x 100 ms gripping time). The indicated mass is centrally installed at the vertical linear unit. Standstill times of handling permit shorter movement times. In exceptions, e.g. at eccentric mass or high requirements to accuracy, the value may be exceeded.