

Gripping rotary module GMQ/RM

GMQ 12/RM 12 - GMQ 32/RM 25

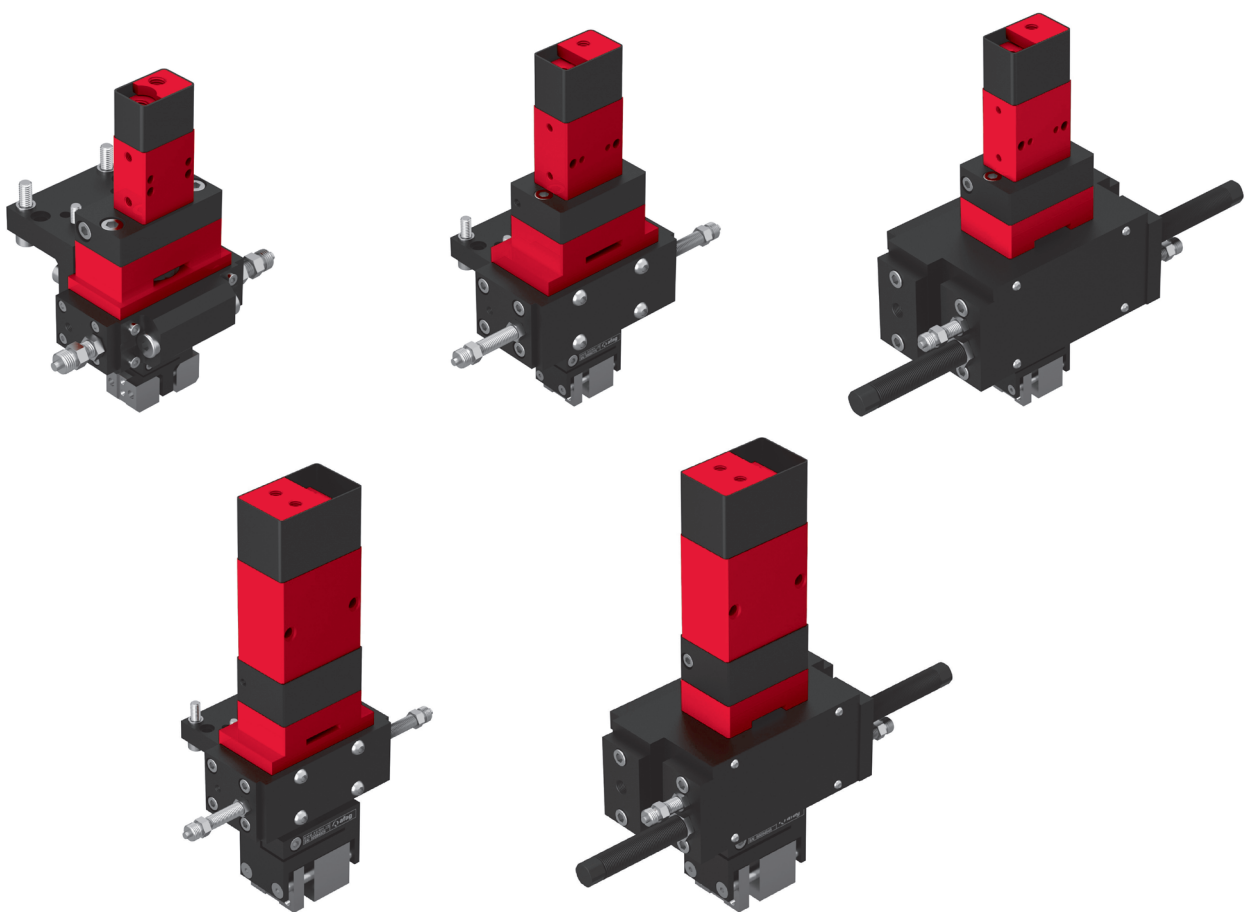


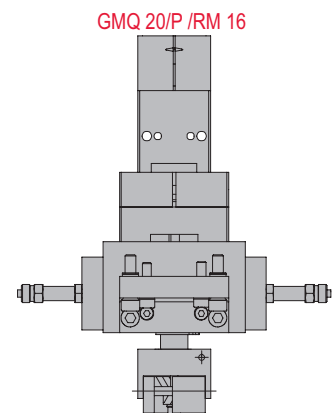
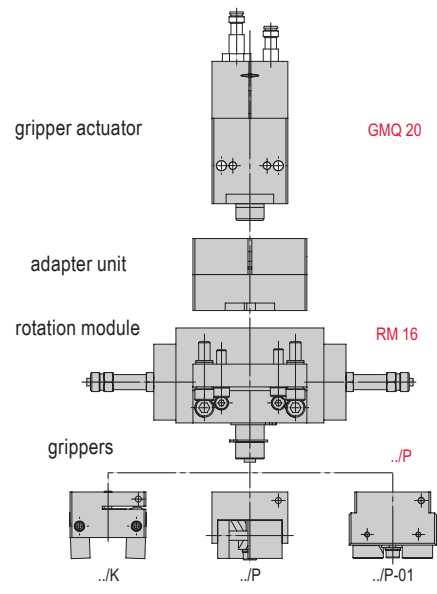
Table of contents: GMQ/RM

Gripping rotary modules GMQ/RM	Page
GMQ 12/RM 12	181
GMQ 20/RM 16	185
GMQ 20/RM 25	189
GMQ 32/RM 16	193
GMQ 32/RM 25	197

Nomenclature-Setup

GMQ/RM

GMQ 20/P /RM 16	Gripping rotary module	Possible specifications
GMQ	gripper actuator	GMQ
20	piston diameter gripper actuator	12
		20
		32
P	gripper	../K
		../P
		../P-01
RM	rotation module	RM
		RMZ
		RMZ../1
		RMZ../2
16	size rotation module	12
		16
		25

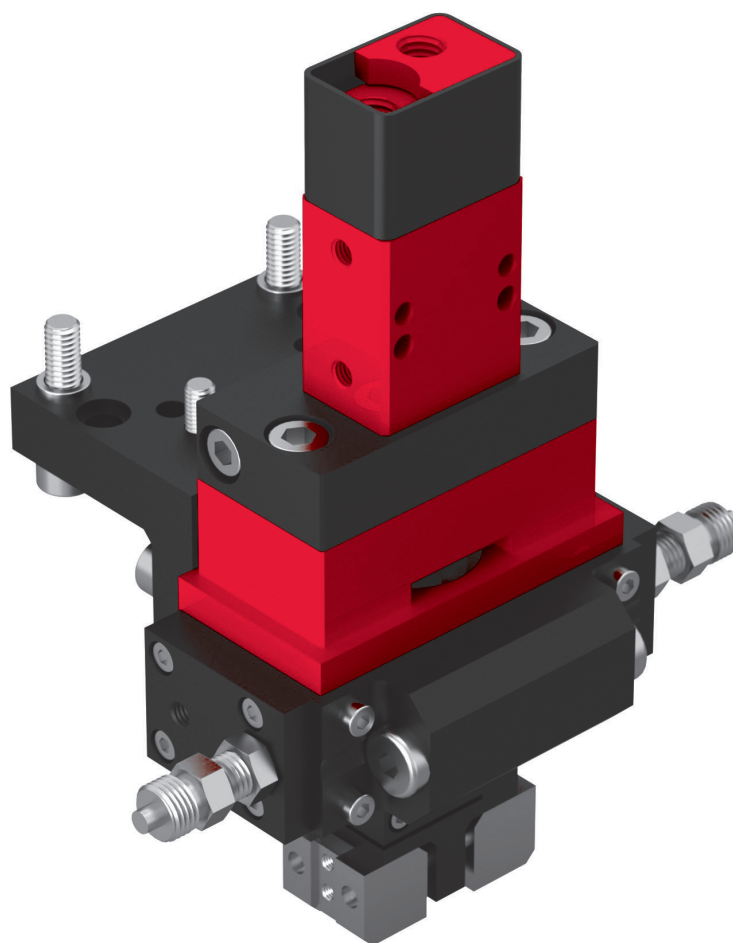


The advantage of Afag gripper modules being divided into gripper actuators and grippers comes into full effect with the gripping and rotation modules. The desired gripper actuator is attached via an adapter unit behind the rotation module. Therefore, no pneumatic and electrical connections rotate during a rotational movement. The grippers are fitted at the front to the desired rotation module from Afag's wide range of products. This facilitates rotational movement of the grippers.

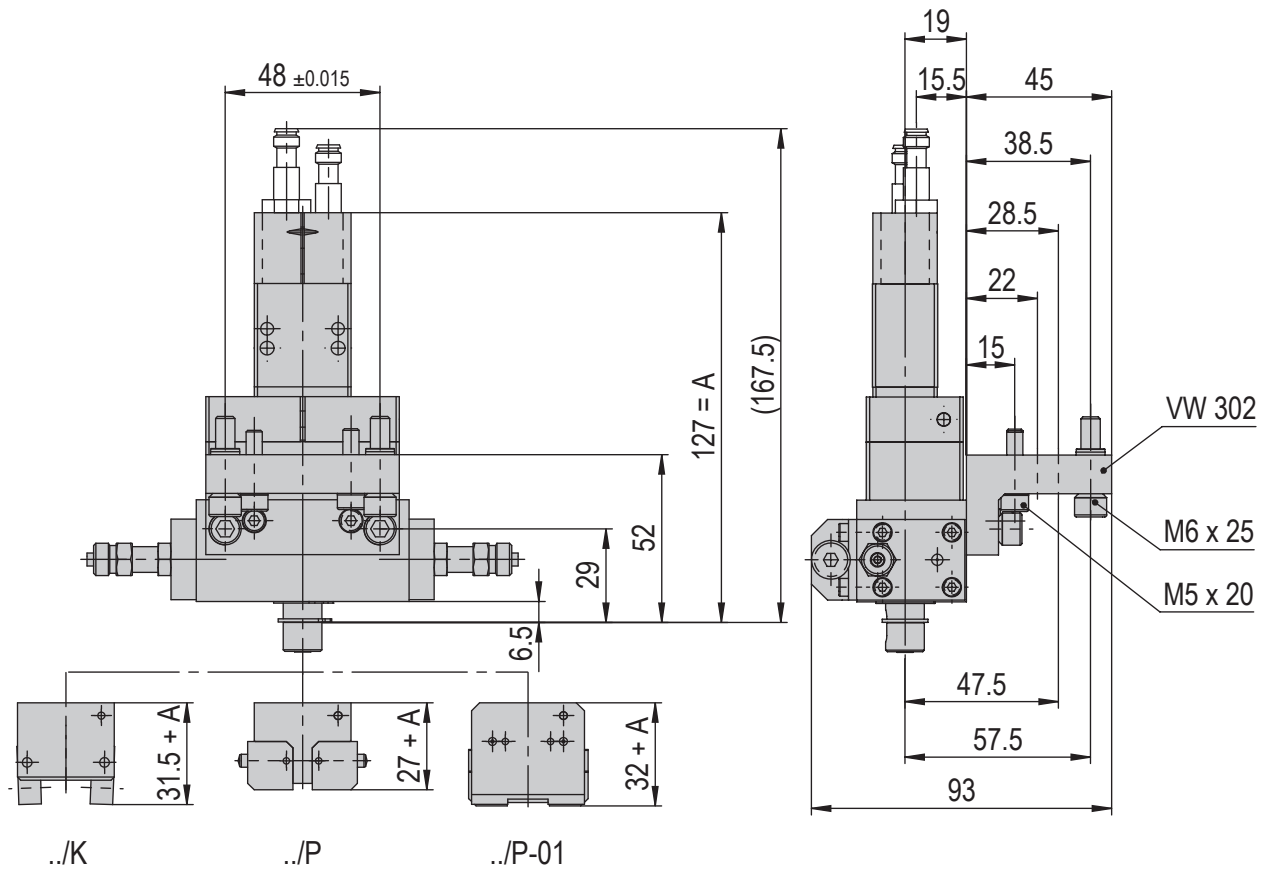
Gripping rotary module GMQ/RM

GMQ 12/RM 12

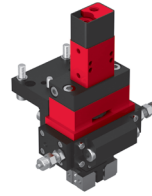
7



- Modular combinations
- No moving tubes or cables
- Grippers can be rotated in any position



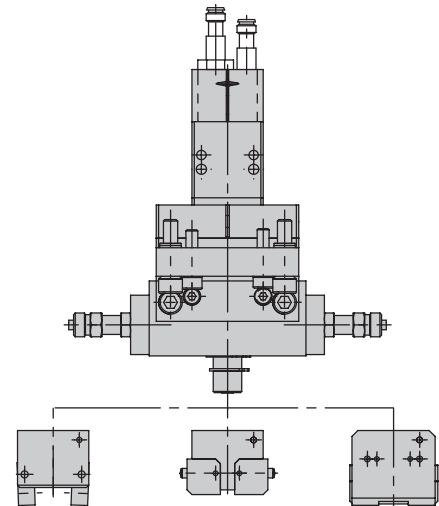
Range summary



GMQ 12/RM 12

GMQ 12/RM 12	
Operating pressure	6 +/- 2 bar
Operating temperature	0 - 50 °C
Storage temperature	0 - 50 °C
Humidity	< 90 %

7



Grippers	..K	..P	..P-01
GMQ 12/.. / RM 12-SD	50002132	50002129	50002138
Net weight	0.838 kg	0.908 kg	0.934 kg
GMQ 12/.. / RM 12	50002131	50002128	50002137
Net weight	0.823 kg	0.89 kg	0.917 kg
GMQ 12/.. / RMZ 12	50002133	50002130	50002139
Net weight	0.71 kg	0.938 kg	0.964 kg

The technical data refer to a nominal pressure of 6 bar under Afag standard test conditions.
 The module can be operated with lubricated or dry air.
 Cleanroom class ISO 14644-1, class ISO 7

Included in the delivery (Catalogue HT accessories)

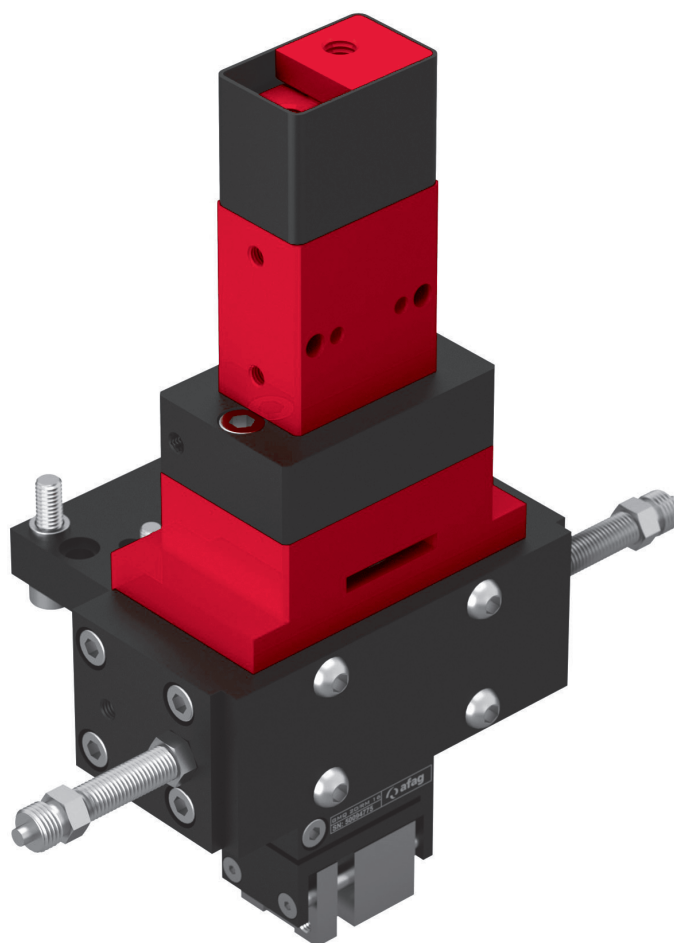
- 2x Centering bushing Ø9x4
- 8x Mounting screw M5x20
- 2 Mounting screw M6x25
- 4x Ribbed washer M6
- 2x Ribbed washer M5
- 1x Angle plate VW 302

Warranty: 24 months following commissioning, but a maximum of 27 months following delivery

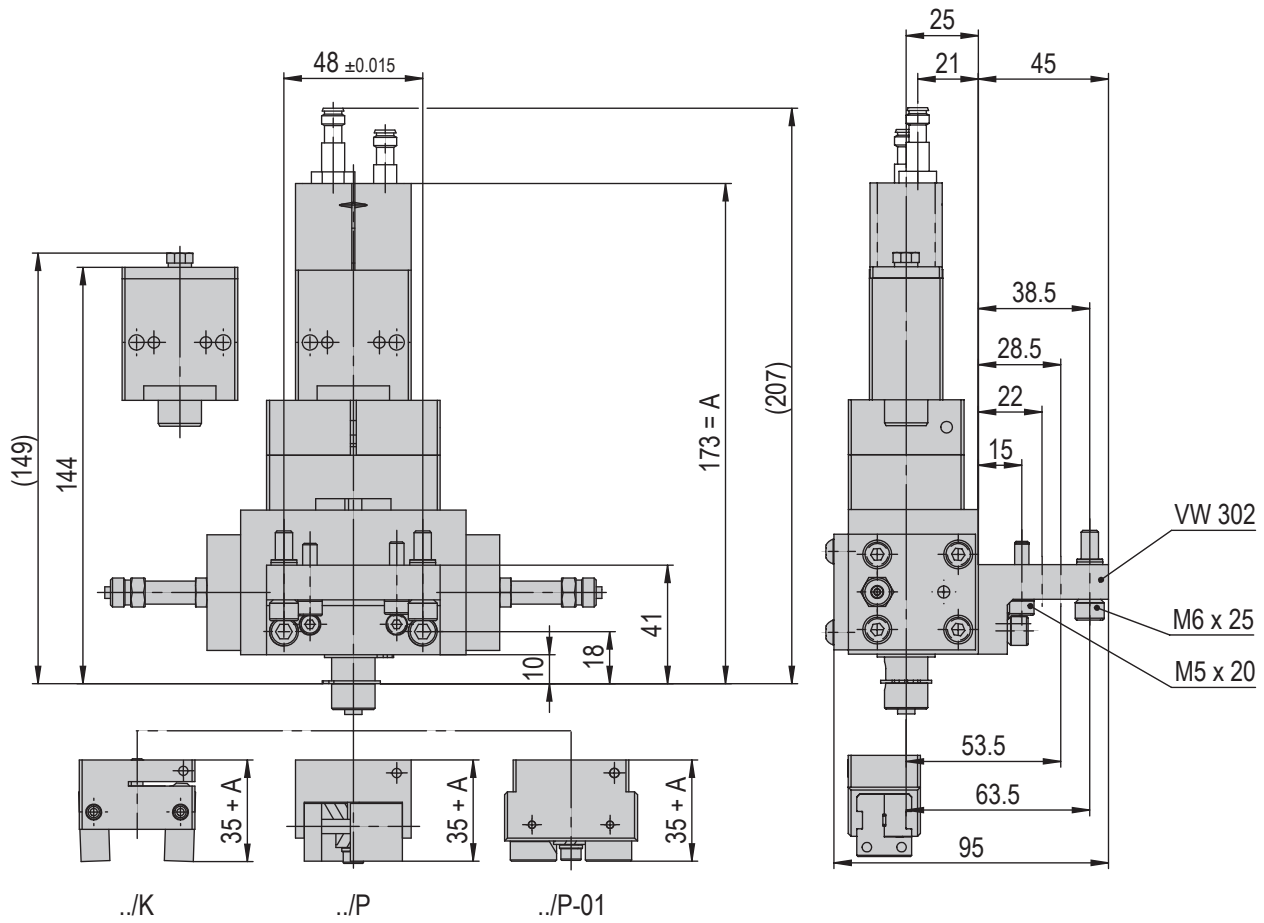
Gripping rotary module GMQ/RM

GMQ 20/RM 16

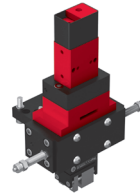
7



- Modular combinations
- No moving tubes or cables
- Grippers can be rotated in any position



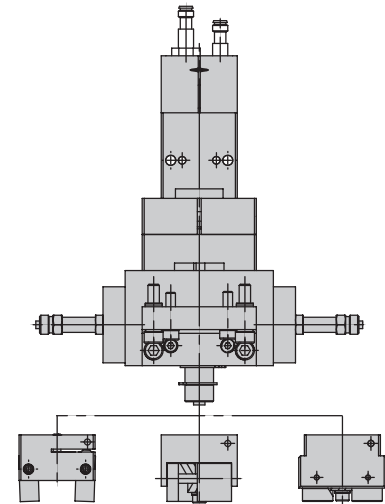
Range summary



GMQ 20/RM 16

GMQ 20/RM 16	
Operating pressure	6 +/- 2 bar
Operating temperature	0 - 50 °C
Storage temperature	0 - 50 °C
Humidity	< 90 %

7



Grippers	..K	..P	..P-01
GMQ 20/.. / RMZ 16	50094787	50094778	50410321
Net weight	1.828 kg	1.909 kg	1.862 kg
GMQ 20/.. / RMZ 16/2	50094790	50094779	50410322
Net weight	1.988 kg	2.069 kg	2.022 kg
GMQ 20/.. / RM 16-SD	50094785	50094776	50410320
Net weight	1.638 kg	1.719 kg	1.672 kg
GMQ 20/.. / RM 16	50094784	50094775	50410319
Net weight	1.489 kg	1.576 kg	1.489 kg

The technical data refer to a nominal pressure of 6 bar under Afag standard test conditions.
The module can be operated with lubricated or dry air.
Cleanroom class ISO 14644-1, class ISO 7

Included in the delivery

(Catalogue HT accessories)

- 2x Centering bushing Ø9x4
- 2x Mounting screw M4x18
- 8x Mounting screw M5x20
- 4x Mounting screw M6x18
- 2 Mounting screw M6x25
- 4x Ribbed washer M4
- 2x Ribbed washer M5
- 4x Ribbed washer M6
- 1x Angle plate VW 302

Warranty: 24 months following commissioning, but a maximum of 27 months following delivery

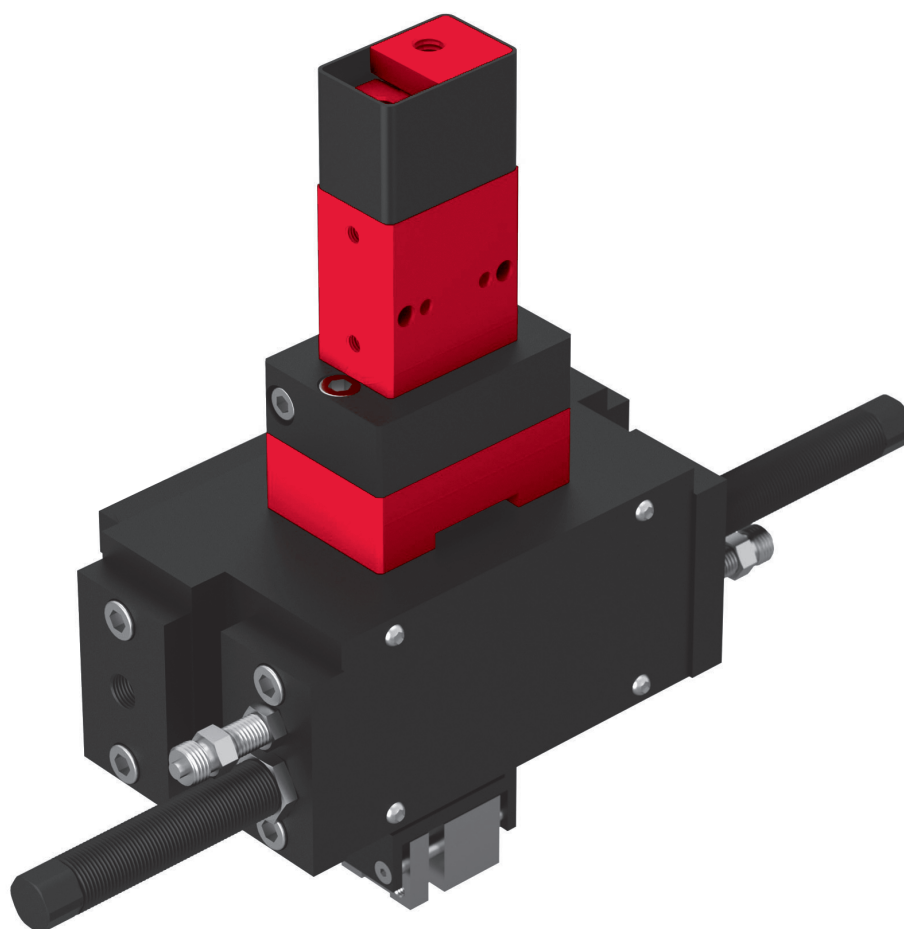
afag.com

Handling technology HT Components gripping/turning

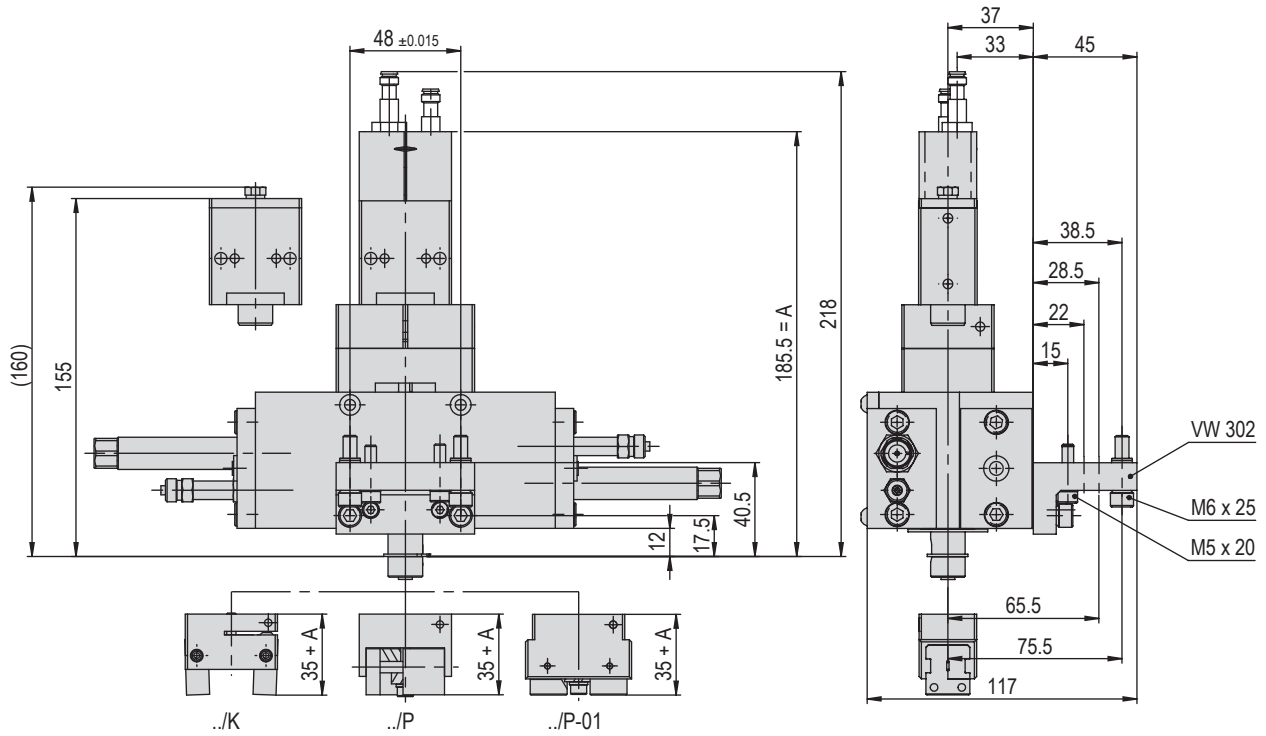
Gripping rotary module GMQ/RM

GMQ 20/RM 25

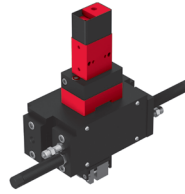
7



- Modular combinations
- No moving tubes or cables
- Grippers can be rotated in any position



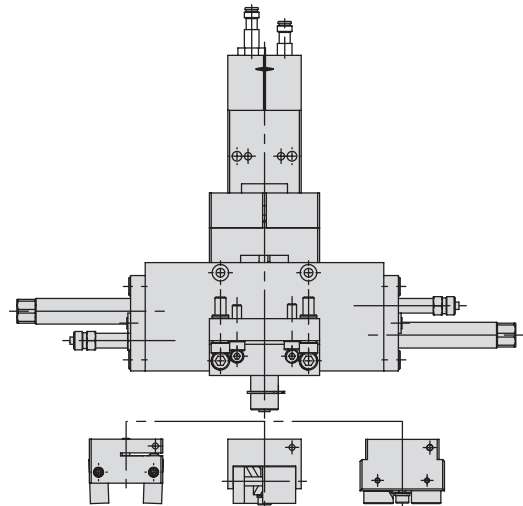
Range summary



GMQ 20/RM 25

GMQ 20/RM 25	
Operating pressure	6 +/- 2 bar
Operating temperature	0 - 50 °C
Storage temperature	0 - 50 °C
Humidity	< 90 %

7



Grippers	..K	..P	..P-01
GMQ 20/.. / RMZ 25/1	50094802	50094796	50410324
Net weight	3.469 kg	3.55 kg	3.503 kg
GMQ 20/.. / RM 25	50094801	50094795	50410323
Net weight	2.779 kg	2.866 kg	2.779 kg
GMQ 20/.. / RMZ 25/2	50094803	50094797	50410325
Net weight	3.539 kg	3.62 kg	3.573 kg

The technical data refer to a nominal pressure of 6 bar under Afag standard test conditions.
The module can be operated with lubricated or dry air.
Cleanroom class ISO 14644-1, class ISO 7

Included in the delivery (Catalogue HT accessories)

- 2x Centering bushing Ø9x4
- 8x Mounting screw M5x20
- 2 Mounting screw M6x25
- 1x Angle plate VW 302
- 2x Ribbed washer M5
- 4x Ribbed washer M6

Warranty: 24 months following commissioning, but a maximum of 27 months following delivery

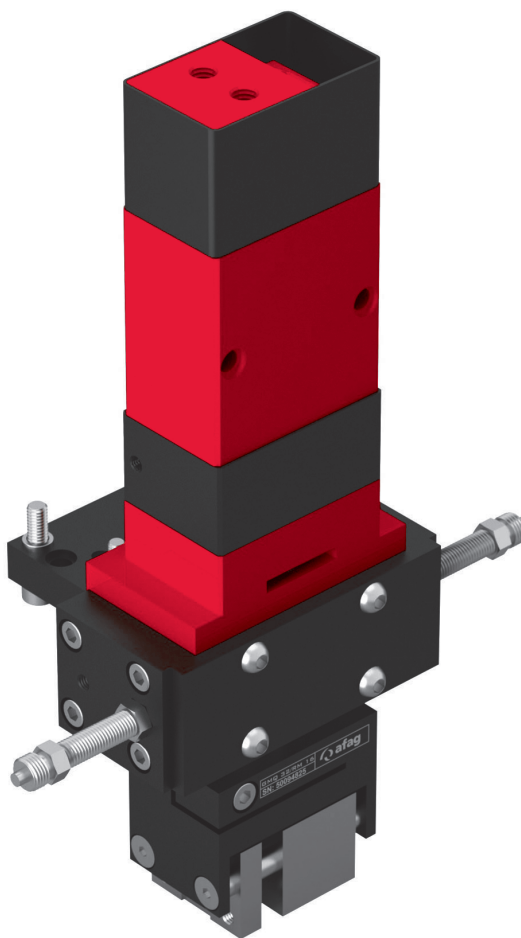
afag.com

Handling technology HT Components gripping/turning

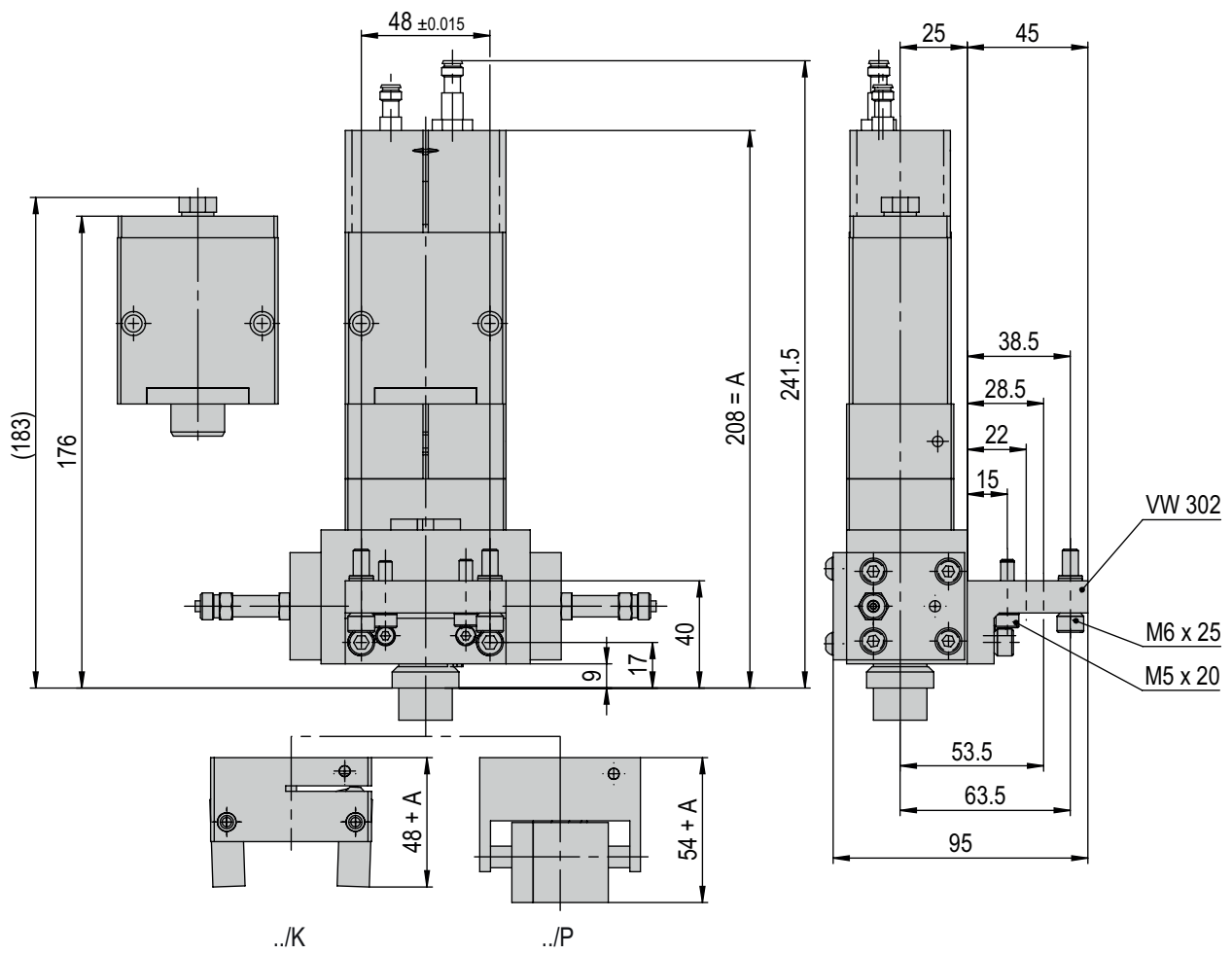
Gripping rotary module GMQ/RM

GMQ 32/RM 16

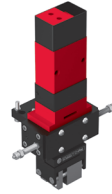
7



- Modular combinations
- No moving tubes or cables
- Grippers can be rotated in any position



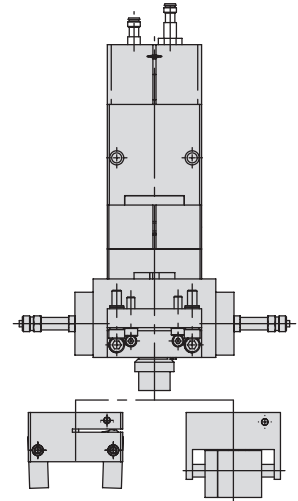
Range summary



GMQ 32/RM 16

GMQ 32/RM 16	
Operating pressure	6 +/- 2 bar
Operating temperature	0 - 50 °C
Storage temperature	0 - 50 °C
Humidity	< 90 %

7



Grippers	..K	..P
GMQ 32/.. / RMZ 16/2	50094839	50094828
Net weight	2.711 kg	2.886 kg
GMQ 32/.. / RMZ 16	50094838	50094827
Net weight	2.551 kg	2.726 kg
GMQ 32/.. / RM 16-SD	50094835	50094826
Net weight	2.361 kg	2.536 kg
GMQ 32/.. / RM 16	50094834	50094825
Net weight	2.207 kg	2.357 kg

The technical data refer to a nominal pressure of 6 bar under Afag standard test conditions.
The module can be operated with lubricated or dry air.
Cleanroom class ISO 14644-1, class ISO 7

Included in the delivery (Catalogue HT accessories)

- 2x Centering bushing Ø9x4
- 8x Mounting screw M5x20
- 2 Mounting screw M6x25
- 2x Ribbed washer M5
- 4x Ribbed washer M6
- 1x Angle plate VW 302

Warranty: 24 months following commissioning, but a maximum of 27 months following delivery

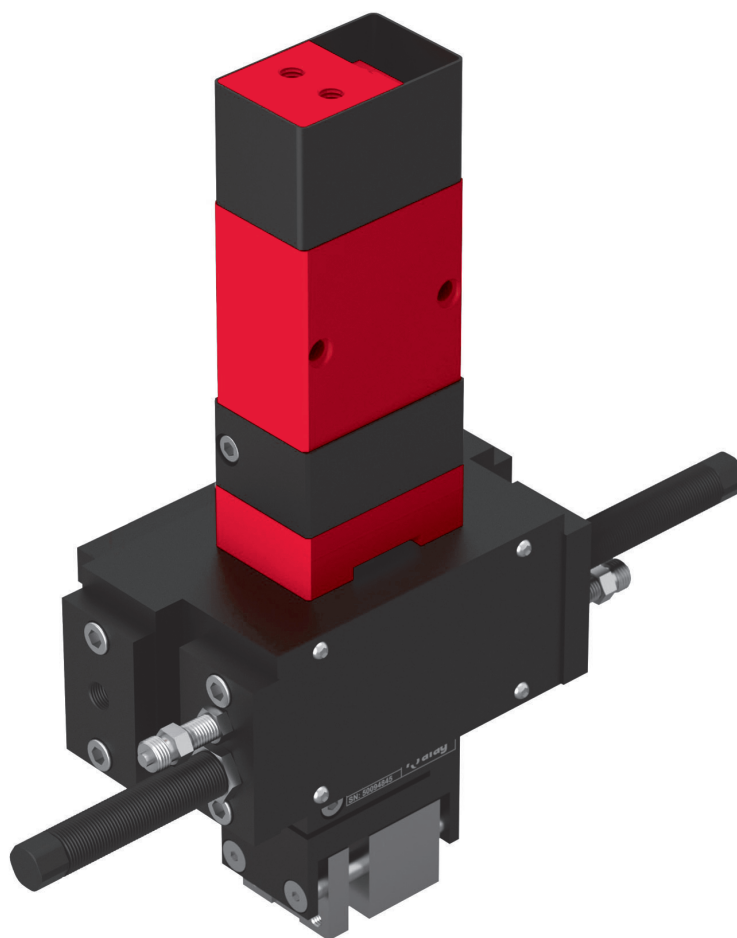
afag.com

Handling technology HT Components gripping/turning

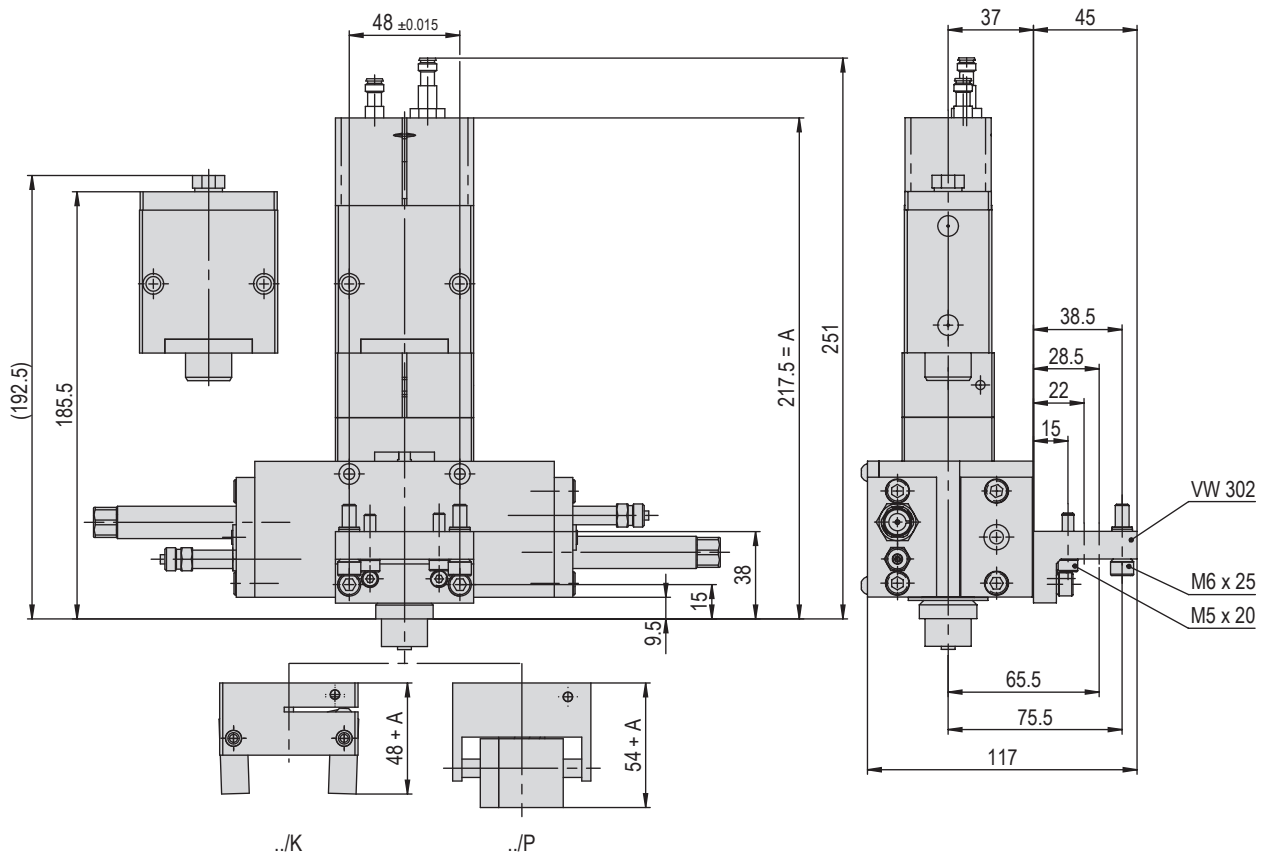
Gripping rotary module GMQ/RM

GMQ 32/RM 25

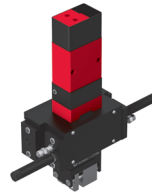
7



- Modular combinations
- No moving tubes or cables
- Grippers can be rotated in any position



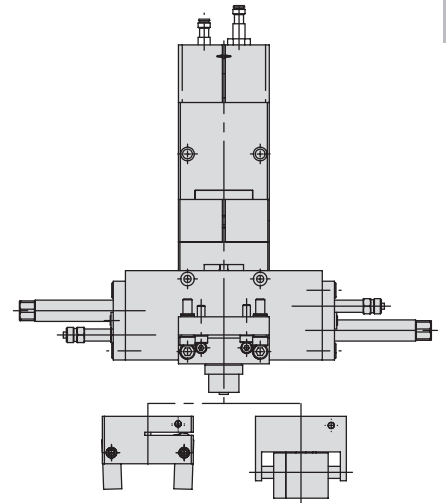
Range summary



GMQ 32/RM 25

GMQ 32/RM 25	
Operating pressure	6 +/- 2 bar
Operating temperature	0 - 50 °C
Storage temperature	0 - 50 °C
Humidity	< 90 %

7



Grippers	..K	..P
GMQ 32/.. / RM 25	50094853	50094845
Net weight	3.449 kg	3.599 kg
GMQ 32/.. / RMZ 25/2	50094855	50094847
Net weight	4.265 kg	4.44 kg
GMQ 32/.. / RMZ 25/1	50094854	50094846
Net weight	4.195 kg	4.37 kg

The technical data refer to a nominal pressure of 6 bar under Afag standard test conditions.
The module can be operated with lubricated or dry air.
Cleanroom class ISO 14644-1, class ISO 7

Included in the delivery (Catalogue HT accessories)

- 2x Centering bushing Ø9x4
- 8x Mounting screw M5x20
- 2 Mounting screw M6x25
- 2x Ribbed washer M5
- 4x Ribbed washer M6
- 1x Angle plate VW 302

Warranty: 24 months following commissioning, but a maximum of 27 months following delivery

afag.com