

Gripping rotary modules GMQ/RE

GMQ 12/RE-50 - GMQ 32/RE-75

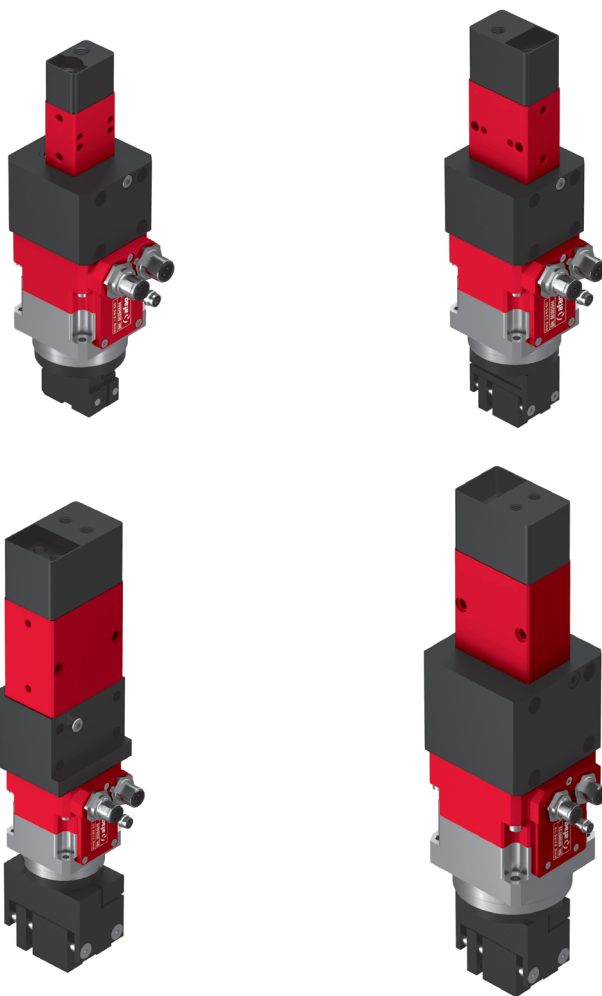


Table of contents: GMQ/RE

Gripping rotary modules GMQ/RE	Page
GMQ 12/RE-50	285
GMQ 20/RE-50	289
GMQ 32/RE-50	293
GMQ 32/RE-75	297

Nomenclature-Setup

GMQ/RE

GMQ 12/P /RE-50	Gripping rotary module	Possible specifications
GMQ	gripper actuator	GMQ
12	piston diameter gripper actuator	12
		20
		32
P	gripper	../K
		../P
		../P-01
RE	rotation module	RE
		RE..18-100 V
50	size rotation module	50
		75

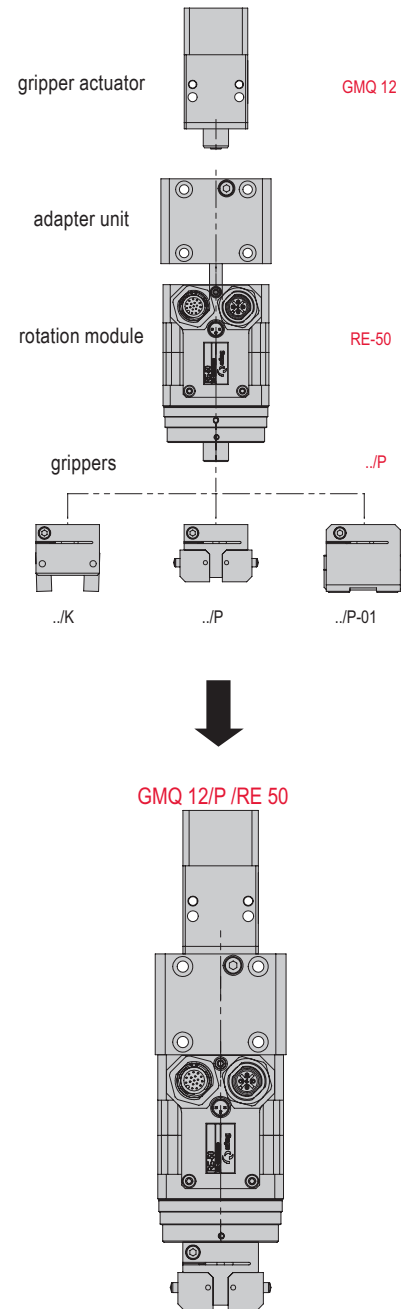
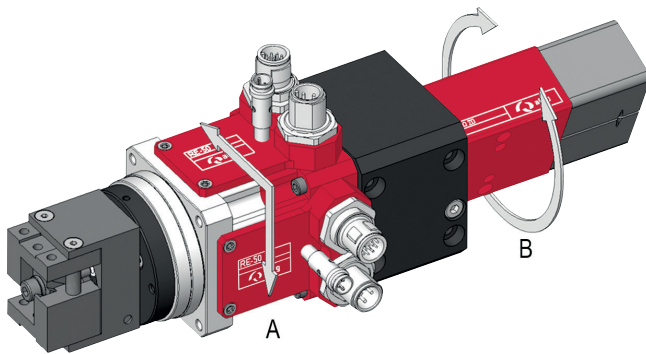
The gripping rotary module consist of the Afag standards modules:

- Gripper actuator GMQ 12
- Rotation module RE-50
- Gripper GM 12/P

Legend

A A RE rotation module: There are 4 positions possible for each 90°

B GMQ gripper actuator: Can be rotated by 360°



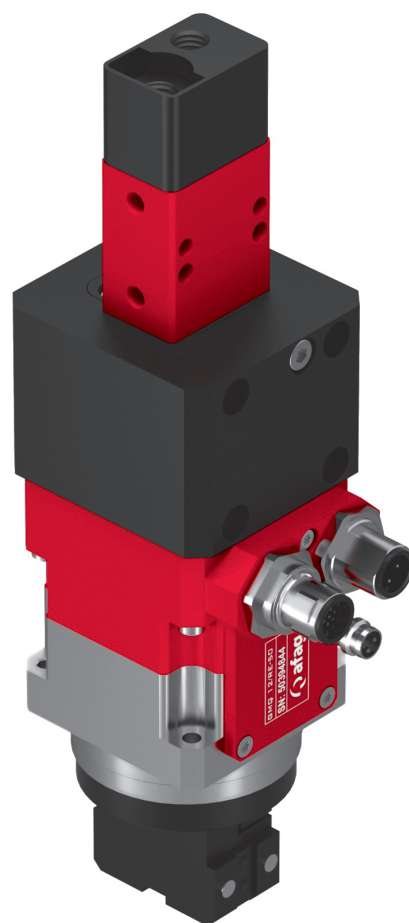
The desired gripper actuator is attached via an adapter unit behind the rotation module. Therefore, no pneumatic and electrical connections rotate during a rotational movement.

The grippers are fitted at the front to the desired rotation module from Afag's wide range of products. This facilitates rotational movement of the grippers.

The gripper rotation modules are extremely slender and have practically no interfering contours.

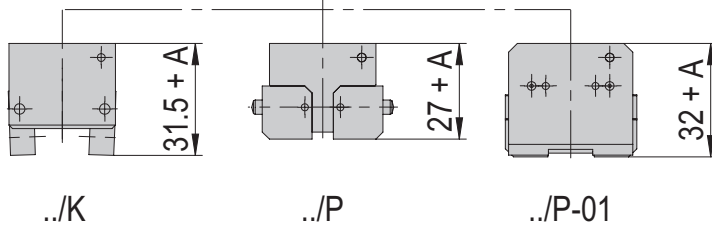
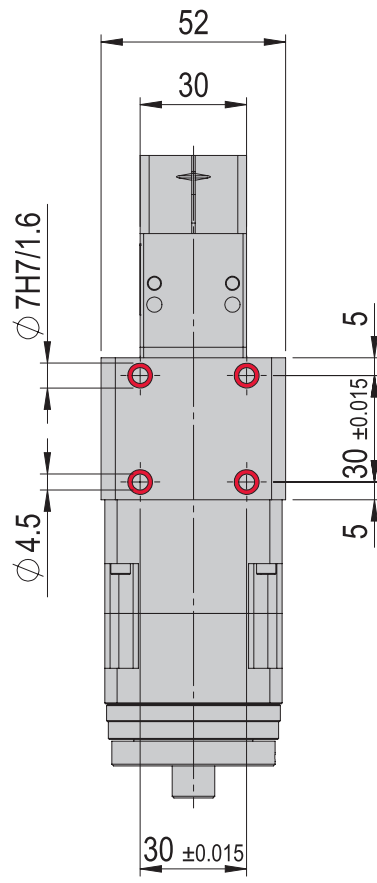
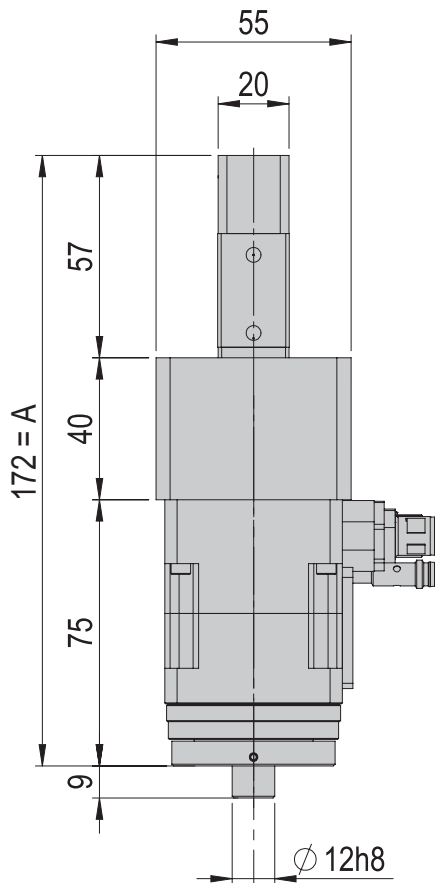
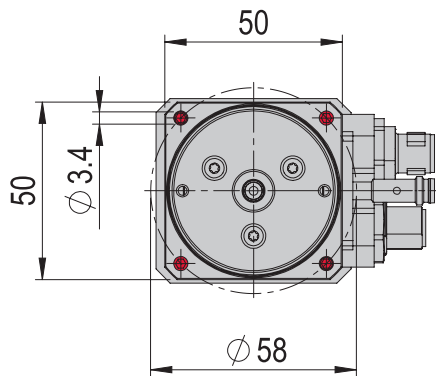
Gripping rotary modules GMQ/RE


GMQ 12/RE-50



15

- Modular combinations
- No moving tubes or cables
- Grippers can be rotated in any position



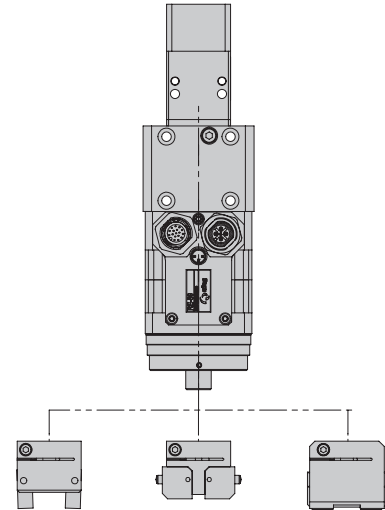
 Bores can be screwed through

Range summary



GMQ 12/RE-50

GMQ 12/RE-50



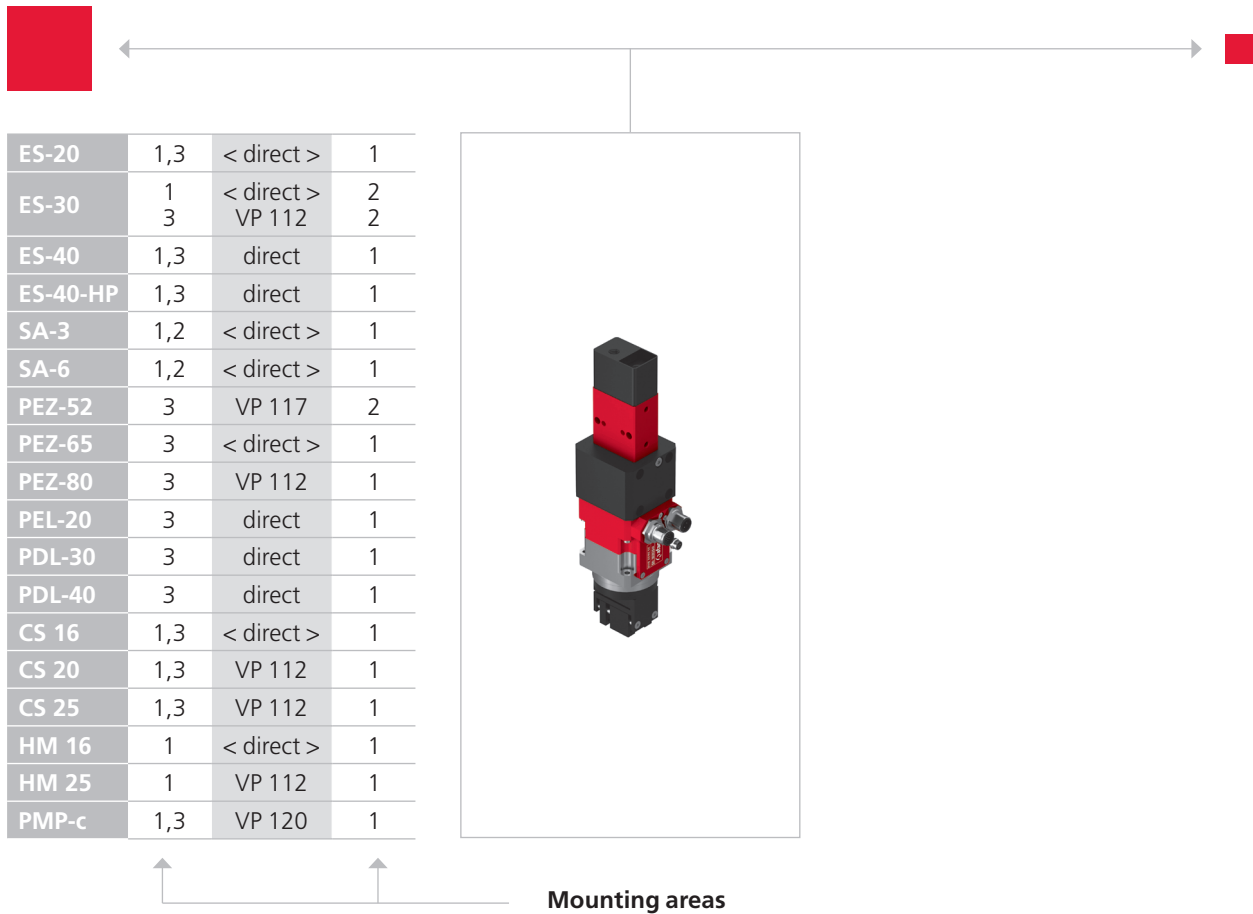
Grippers	..K	..P	..P-01
GMQ 12/.. / RE-50 18-100V	50395566	50395567	50395569
Net weight	0.974 kg	1.044 kg	1.07 kg
GMQ 12/.. / RE-50	50394843	50394844	50394846
Net weight	0.974 kg	1.044 kg	1.07 kg

15

Included in the delivery
 (Catalogue HT accessories)
 ■ 2x Centering bushing Ø7x3

Warranty: 24 months following commissioning, but a maximum of 27 months following delivery

afag.com



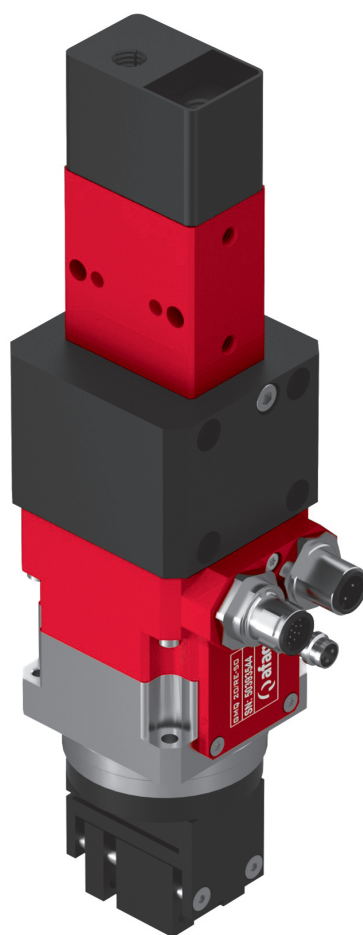
ES-20	1,3	< direct >	1
ES-30	1 3	< direct > VP 112	2 2
ES-40	1,3	direct	1
ES-40-HP	1,3	direct	1
SA-3	1,2	< direct >	1
SA-6	1,2	< direct >	1
PEZ-52	3	VP 117	2
PEZ-65	3	< direct >	1
PEZ-80	3	VP 112	1
PEL-20	3	direct	1
PDL-30	3	direct	1
PDL-40	3	direct	1
CS 16	1,3	< direct >	1
CS 20	1,3	VP 112	1
CS 25	1,3	VP 112	1
HM 16	1	< direct >	1
HM 25	1	VP 112	1
PMP-c	1,3	VP 120	1

CS, ES 	LM 	HM 	SA 	UG, GM, SG, DG, PG, GE, SGE
PMP, PMP-c 	PEZ, PDZ 	PEL, PDL 	RM, RE 	CR, RM 32, RE, SREH, RA

Note that there might be different mounting positions from one module to another one.
The required connection elements and the range of support columns are depicted in the catalogue HT accessories.

Gripping rotary modules GMQ/RE

GMQ 20/RE-50

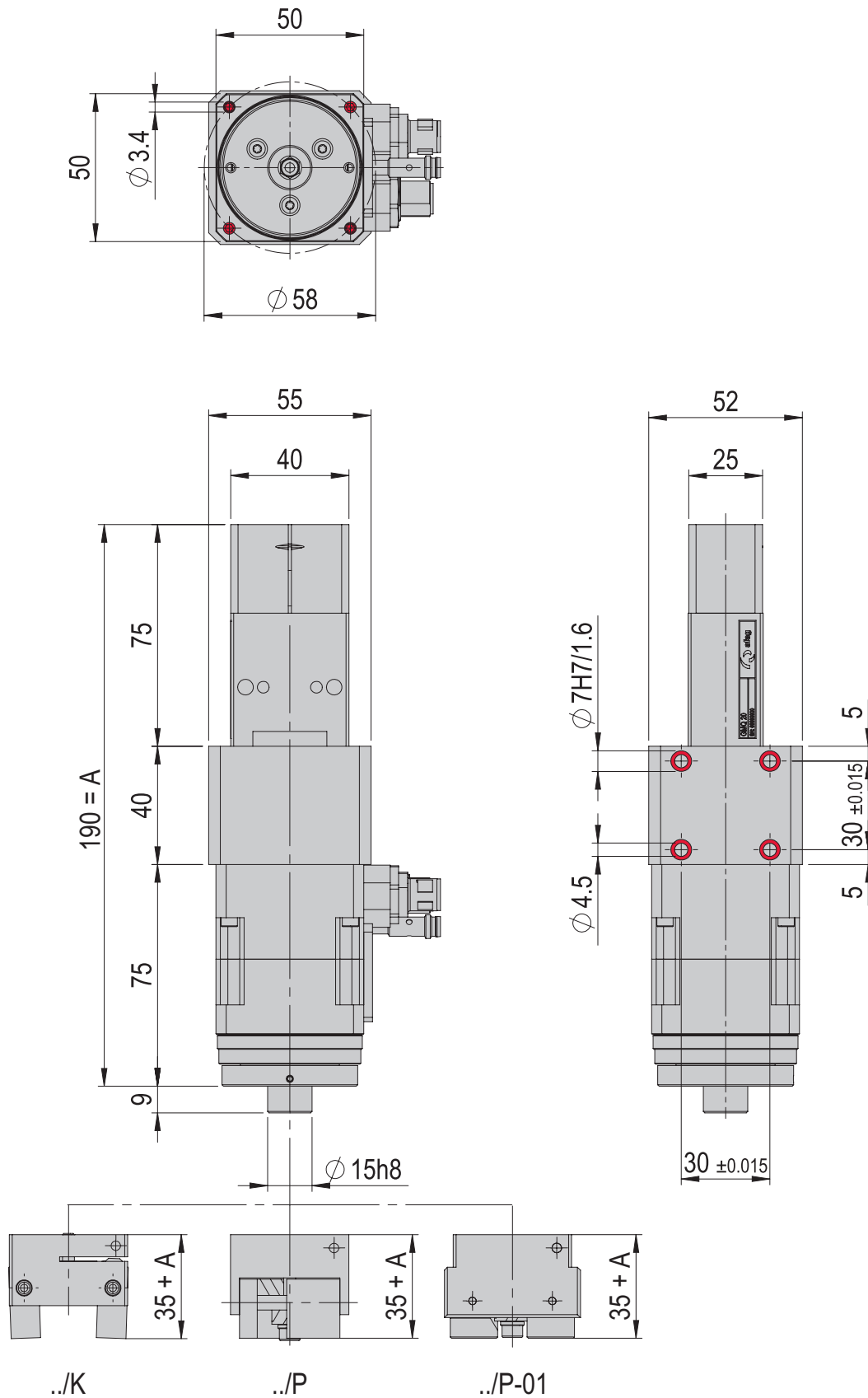


15

- Modular combinations
- No moving tubes or cables
- Grippers can be rotated in any position

Gripping rotary module

GMQ 20/RE-50



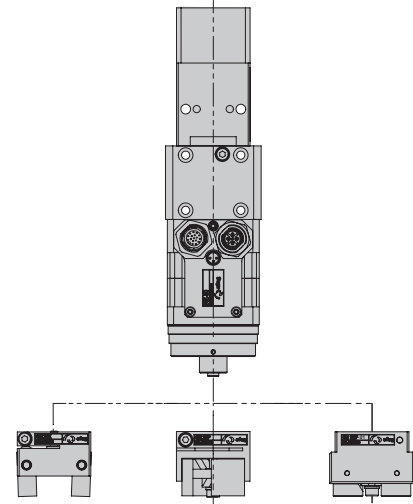
Bores can be screwed through

Range summary



GMQ 20/RE-50

GMQ 20/RE-50



Grippers	..K	..P	..P-01
GMQ 20/.. / RE-50 18-100V	50355549	50355547	50410327
Net weight	1.141 kg	1.148 kg	1.194 kg
GMQ 20/.. / RE-50	50355546	50355544	50410326
Net weight	1.141 kg	1.148 kg	1.194 kg

15

Included in the delivery
 (Catalogue HT accessories)
 ■ 2x Centering bushing Ø7x3

Warranty: 24 months following commissioning, but a maximum of 27 months following delivery

afag.com

ES-20	1,3	< direct >	1
ES-30	1 3	< direct > VP 112	2 2
ES-40	1,3	direct	1
ES-40-HP	1,3	direct	1
SA-3	1,2	< direct >	1
SA-6	1,2	< direct >	1
PEZ-52	3	VP 117	2
PEZ-65	3	< direct >	1
PEZ-80	3	VP 112	1
PEL-20	3	direct	1
PDL-30	3	direct	1
PDL-40	3	direct	1
CS 16	1,3	< direct >	1
CS 20	1,3	VP 112	1
CS 25	1,3	VP 112	1
HM 16	1	< direct >	1
HM 25	1	VP 112	1
PMP-c	1,3	VP 120	1

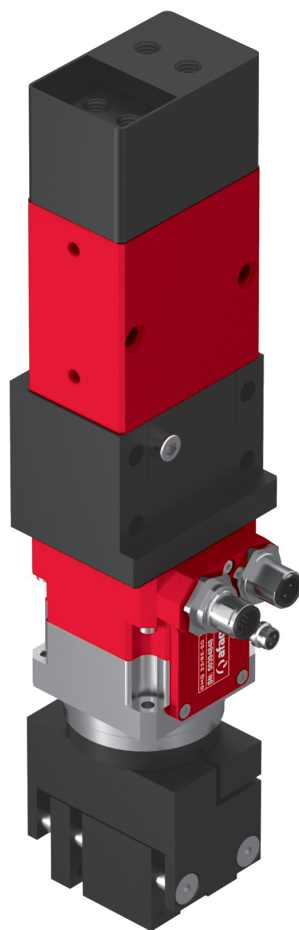
Mounting areas

CS, ES	LM	HM	SA	UG, GM, SG, DG, PG, GE, SGE
PMP, PMP-c	PEZ, PDZ	PEL, PDL	RM, RE	CR, RM 32, RE, SREH, RA

Note that there might be different mounting positions from one module to another one.
The required connection elements and the range of support columns are depicted in the catalogue HT accessories.

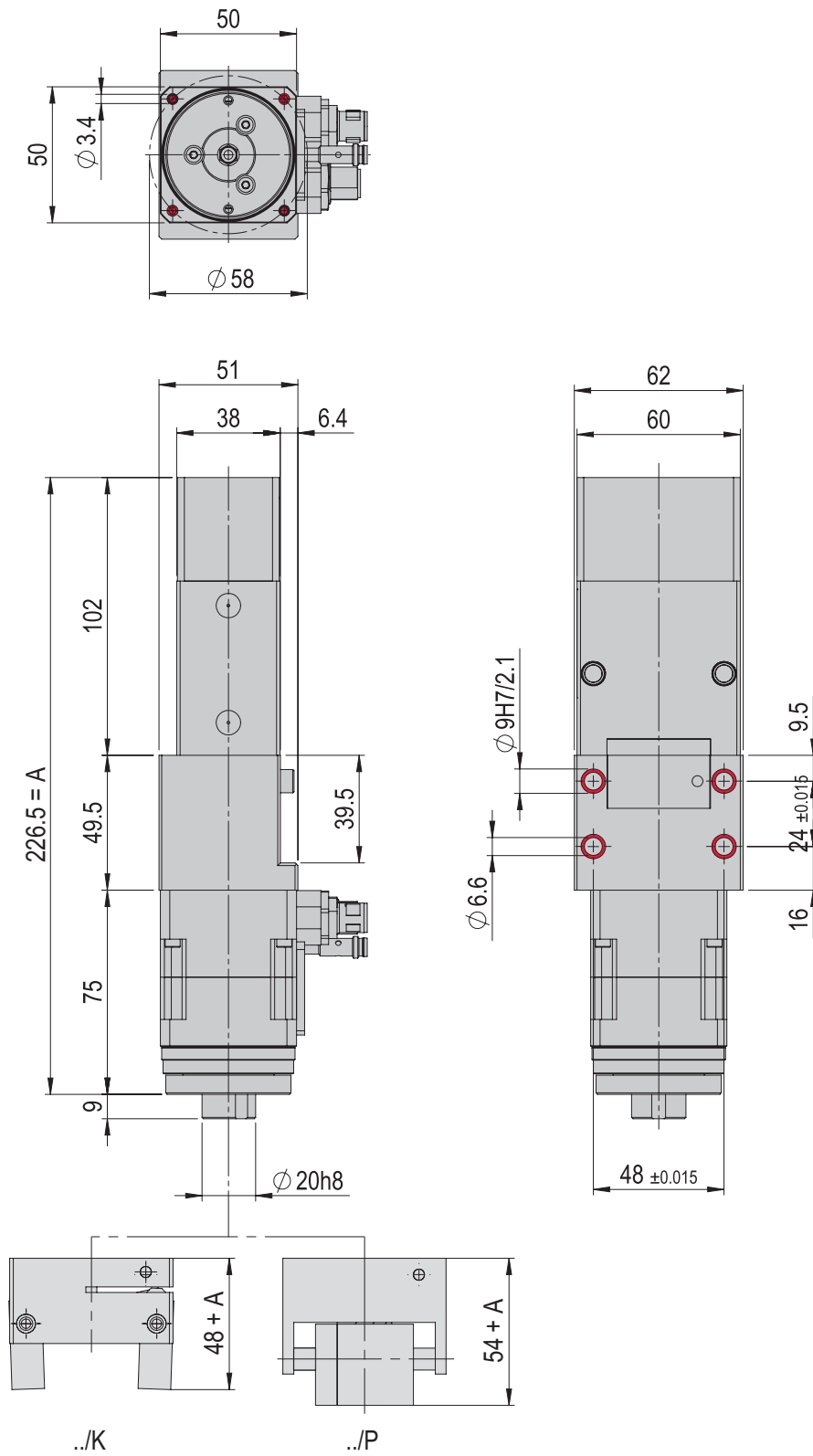
Gripping rotary modules GMQ/RE


GMQ 32/RE-50



15

- Modular combinations
- No moving tubes or cables
- Grippers can be rotated in any position



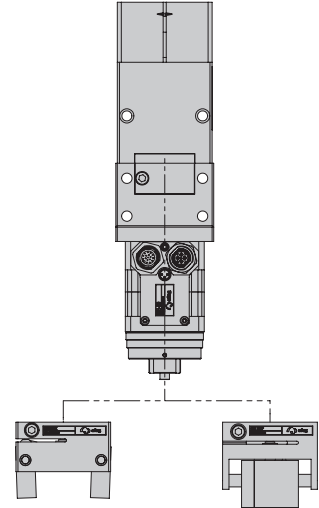
 Bores can be screwed through

Range summary



GMQ 32/RE-50

GMQ 32/RE-50



Grippers	..K	..P
GMQ 32/.. / RE-50	50394847	50394848
Net weight	1.932 kg	2.107 kg
GMQ 32/.. / RE-50 18-100V	50395570	50395571
Net weight	1.932 kg	2.107 kg

15

Included in the delivery
(Catalogue HT accessories)
■ 2x Centering bushing Ø9x4

Warranty: 24 months following commissioning, but a maximum of 27 months following delivery

afag.com

Handling technology HT Components gripping/turning

ES-20	1,3	< direct >	1
ES-30	1 3	< direct > VP 112	2 2
ES-40	1,3	direct	1
ES-40-HP	1,3	direct	1
SA-3	1,2	< direct >	1
SA-6	1,2	< direct >	1
PEZ-52	3	VP 117	2
PEZ-65	3	< direct >	1
PEZ-80	3	VP 112	1
PEL-20	3	direct	1
PDL-30	3	direct	1
PDL-40	3	direct	1
CS 16	1,3	< direct >	1
CS 20	1,3	VP 112	1
CS 25	1,3	VP 112	1
HM 16	1	< direct >	1
HM 25	1	VP 112	1
PMP-c	1,3	VP 120	1

Mounting areas

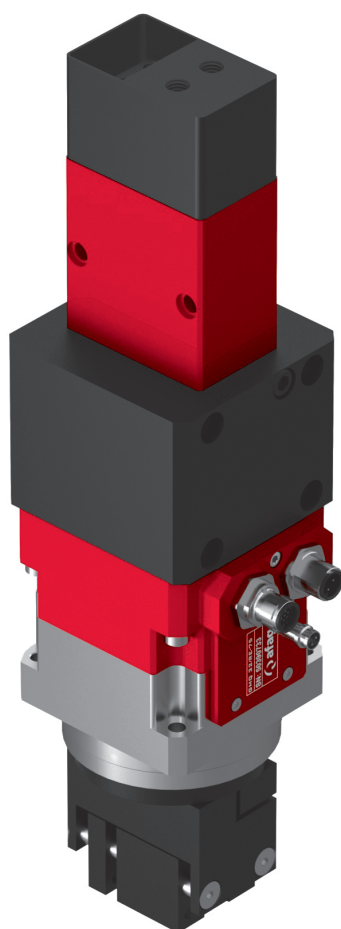
CS, ES	LM	HM	SA	UG, GM, SG, DG, PG, GE, SGE
PMP, PMP-c	PEZ, PDZ	PEL, PDL	RM, RE	CR, RM 32, RE, SREH, RA

Note that there might be different mounting positions from one module to another one.

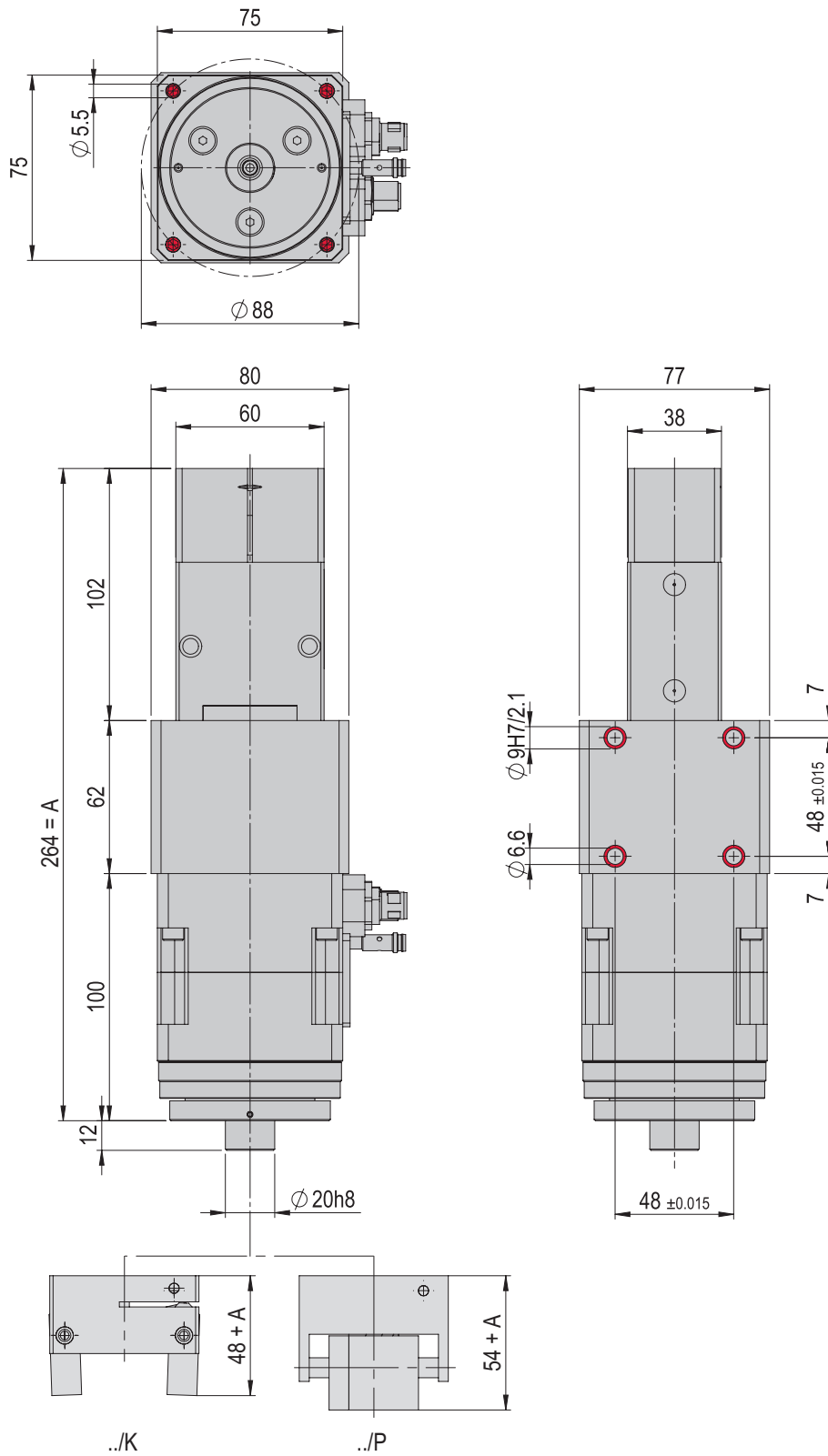
The required connection elements and the range of support columns are depicted in the catalogue HT accessories.


Gripping rotary modules **GMQ/RE**

GMQ 32/RE-75



- Modular combinations
- No moving tubes or cables
- Grippers can be rotated in any position



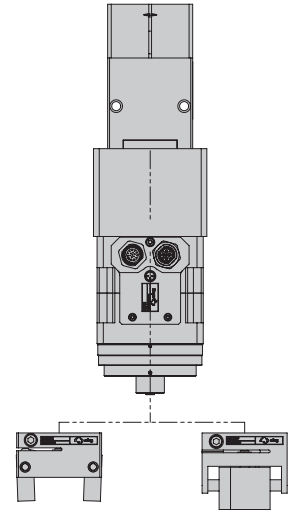
 Bores can be screwed through

Range summary



GMQ 32/RE-75

GMQ 32/RE-75



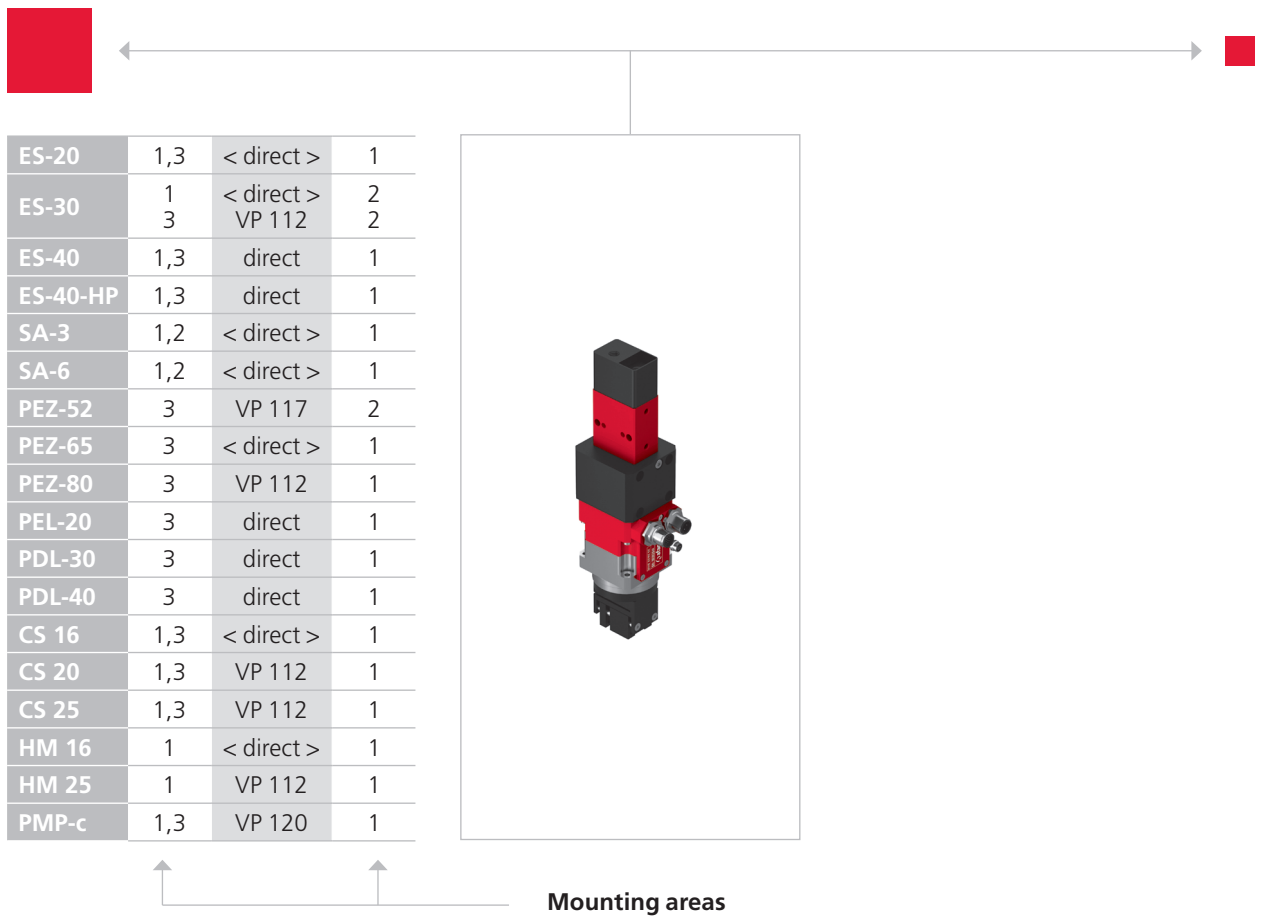
Grippers	..K	..P
GMQ 32/.. / RE-75	50390735	50390733
Net weight	3.352 kg	3.527 kg
GMQ 32/.. / RE-75 18-100V A	50545293	50545292
Net weight	3.352 kg	3.527 kg

15

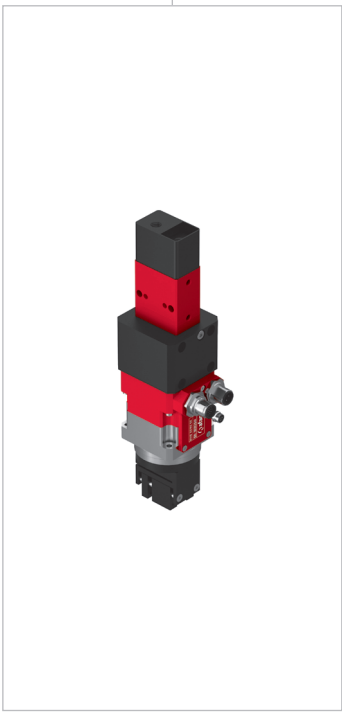
Included in the delivery
(Catalogue HT accessories)
■ 2x Centering bushing Ø9x4

Warranty: 24 months following commissioning, but a maximum of 27 months following delivery

afag.com



ES-20	1,3	< direct >	1
ES-30	1 3	< direct > VP 112	2 2
ES-40	1,3	direct	1
ES-40-HP	1,3	direct	1
SA-3	1,2	< direct >	1
SA-6	1,2	< direct >	1
PEZ-52	3	VP 117	2
PEZ-65	3	< direct >	1
PEZ-80	3	VP 112	1
PEL-20	3	direct	1
PDL-30	3	direct	1
PDL-40	3	direct	1
CS 16	1,3	< direct >	1
CS 20	1,3	VP 112	1
CS 25	1,3	VP 112	1
HM 16	1	< direct >	1
HM 25	1	VP 112	1
PMP-c	1,3	VP 120	1



Mounting areas

CS, ES 	LM 	HM 	SA 	UG, GM, SG, DG, PG, GE, SGE
PMP, PMP-c 	PEZ, PDZ 	PEL, PDL 	RM, RE 	CR, RM 32, RE, SREH, RA

Note that there might be different mounting positions from one module to another one.
The required connection elements and the range of support columns are depicted in the catalogue HT accessories.