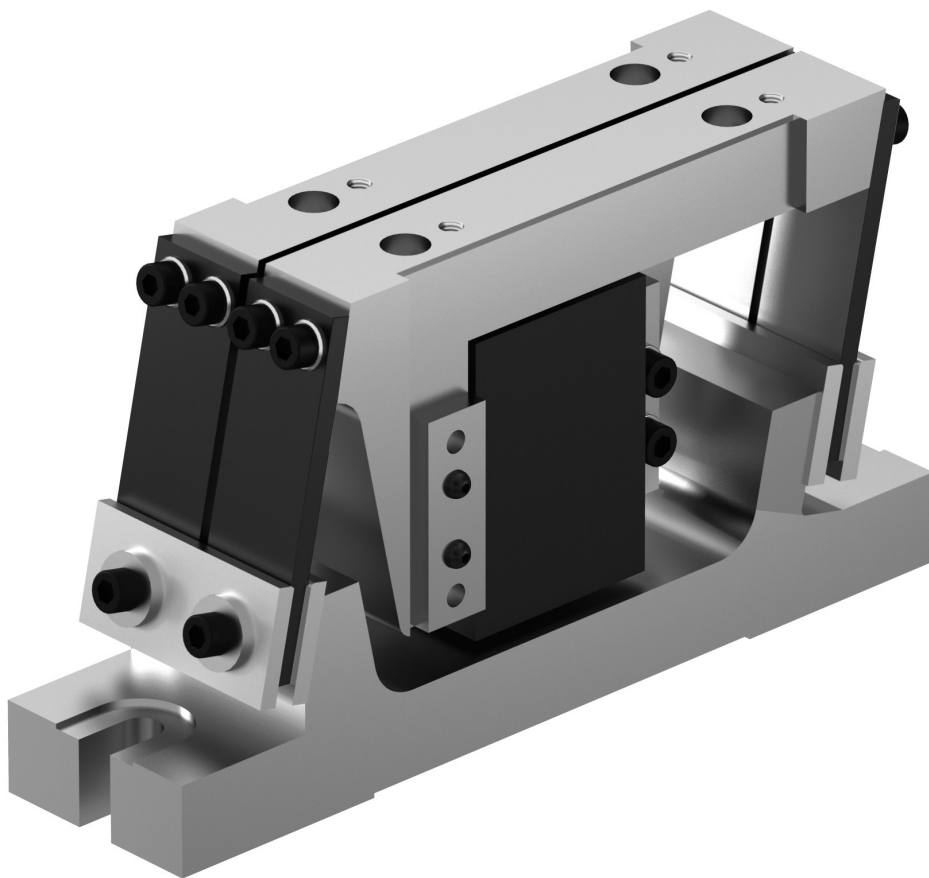


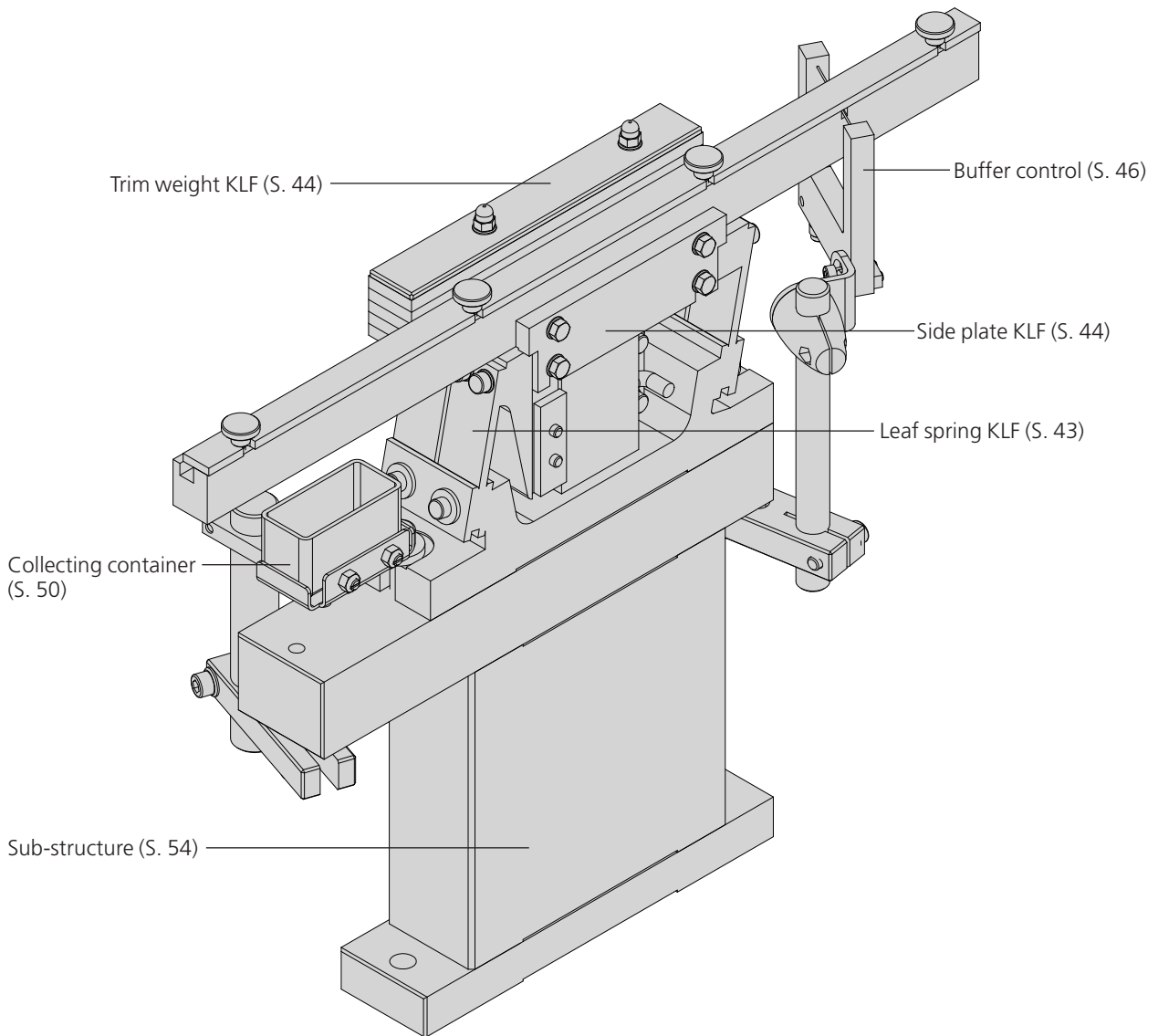
Linear feeder

KLF5 - KLF25

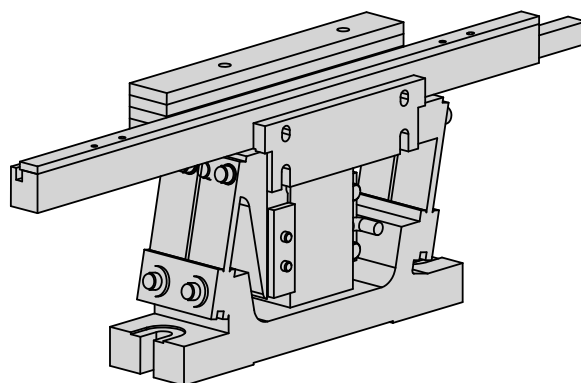


- Reactive force compensation to avoid mutual influence of several devices
- Very free rail design possibilities, since both vibration components can be used as payloads or counterweights
- Both vibration components can be operated as payloads

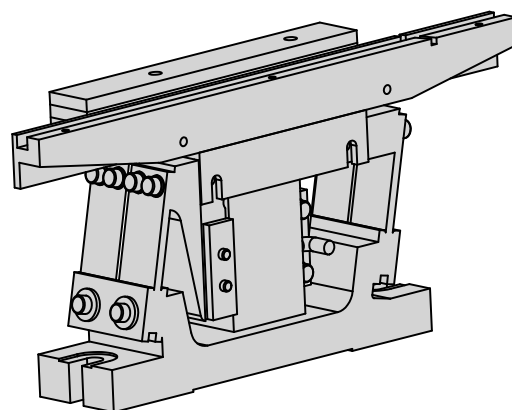
Overview



For fastening the rail to the KLF two variants are possible:

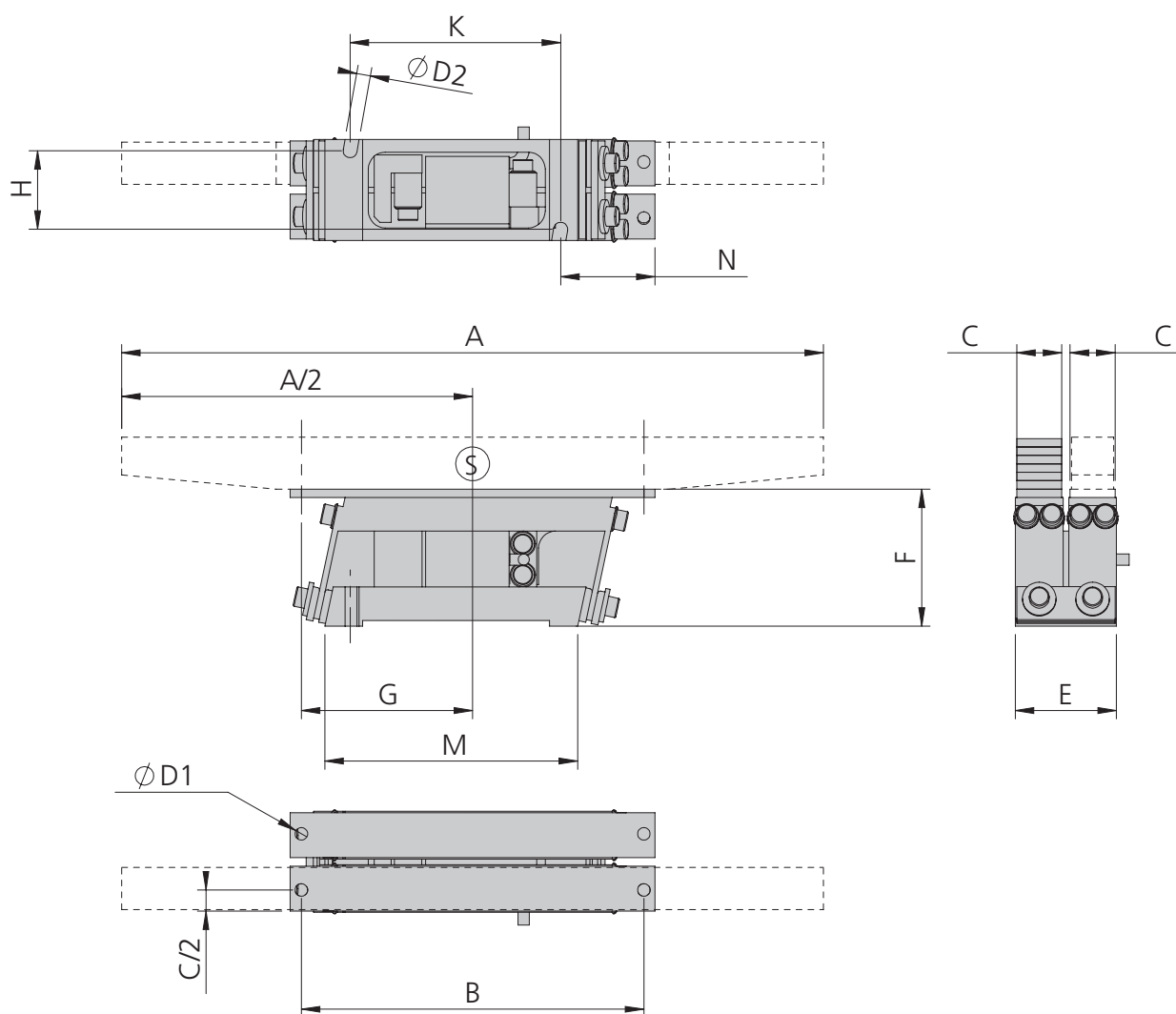


Variant 1 Construction with side plate



Variant 2 Construction with bracket

Type	KLF5																		
A	150-250 mm																		
B	122 mm																		
C	16 mm	D1	4.5 mm	D2	5 mm	E	36 mm	F	49 mm	G	61 mm	H	28 mm	K	75 mm	M	90 mm	N	34 mm
D1	4.5 mm																		
D2	5 mm																		
E	36 mm																		
F	49 mm																		
G	61 mm																		
H	28 mm																		
K	75 mm																		
M	90 mm																		
N	34 mm																		



R = Feeding direction
 S = Track center of gravity

KLF5		
Operating temperature		10 - 45 °C

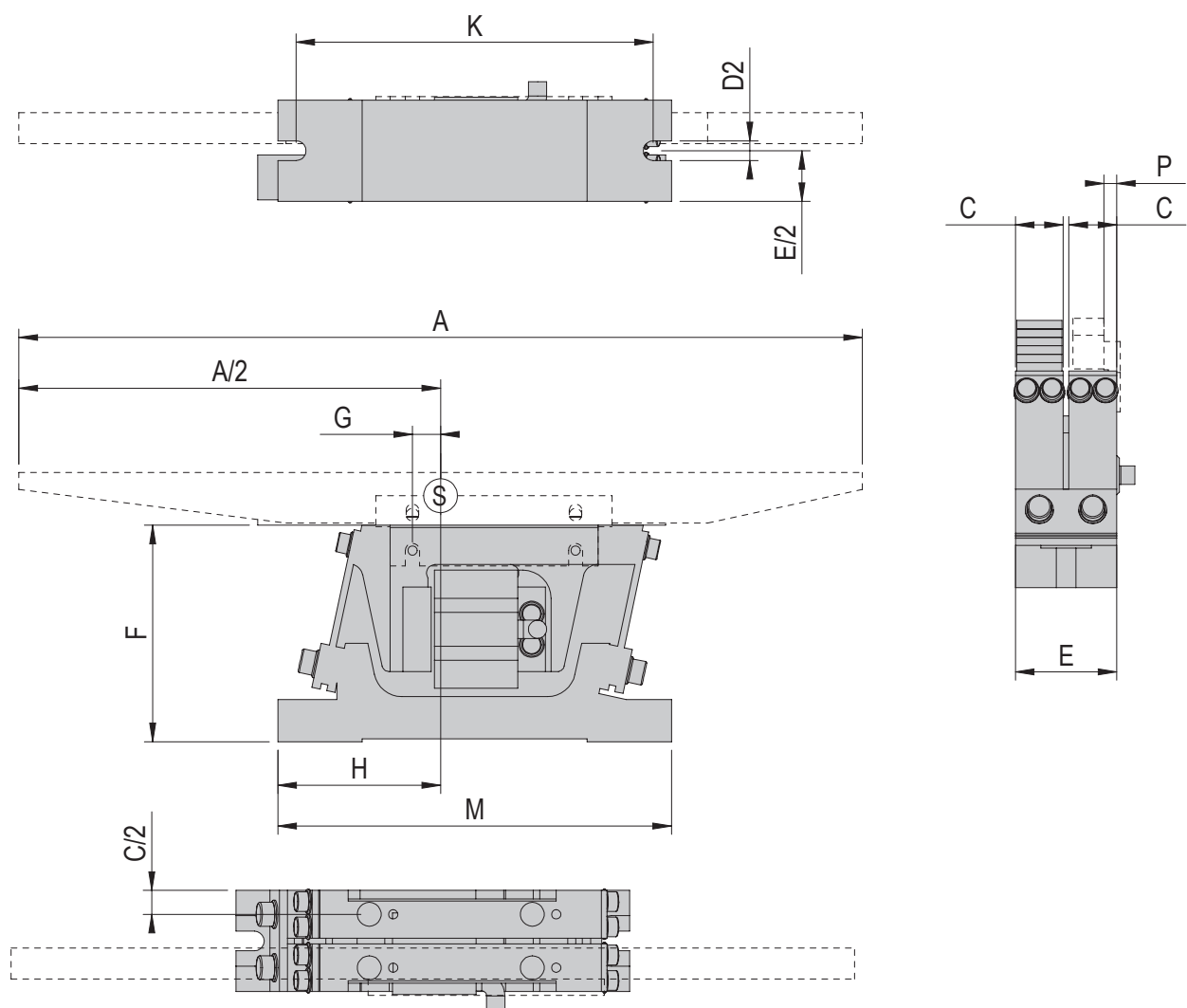
Type	KLF5	KLF5
Order number	15044649	15052019
Mechanical vibration frequency	100 Hz	120 Hz
Mains connection (mains voltage/mains frequency)	230 V/50 Hz	115 V/60 Hz
Max. power consumption	10 VA	10 VA
Net weight	1.2 kg	1.2 kg
Max. weight feed rail (ancor side)	0.3 kg	0.3 kg
Weight difference (feed rail - trim weight)	0 kg	0 kg
Max. feeder speed	7 m/min	7 m/min
Reactive force compensation	•	•
Protection type	IP54	IP54

Note: • = existent
Track not included in scope of supply.

Inlcuded in delivery

- 2x Leaf spring KLF
- 5x Trim weight (KLF5)

Type	KLF7	KLF15	KLF25
A	200-400 mm	300-600 mm	500-800 mm
C	17 mm	24 mm	29 mm
D2	7 mm	9 mm	10 mm
E	36 mm	50 mm	60 mm
F	77 mm	108 mm	135 mm
G	10 mm	30 mm	45 mm
H	57.9 mm	99.4 mm	142 mm
K	127 mm	177 mm	280 mm
M	140 mm	200 mm	300 mm
P	4.5 mm	4.5 mm	3 mm



R = Feeding direction
 S = Track center of gravity

KLF7 - KLF25						
Operating temperature	10 - 45 °C					
Type	KLF7	KLF7	KLF15	KLF15	KLF25	KLF25
Order number	15150973	15173186	15021614	15014508	15048476	15169958
Mechanical vibration frequency	100 Hz	120 Hz	100 Hz	120 Hz	100 Hz	120 Hz
Mains connection (mains voltage/mains frequency)	230 V/50 Hz	115 V/60 Hz	230 V/50 Hz	115 V/60 Hz	230 V/50 Hz	115 V/60 Hz
Max. power consumption	15 VA	15 VA	25 VA	25 VA	60 VA	60 VA
Net weight	1.9 kg	1.9 kg	4.6 kg	4.6 kg	12.7 kg	12.7 kg
Max. weight feed rail (ancor side)	0.65 kg	0.65 kg	1.8 kg	1.8 kg	3.0 kg	3.0 kg
Weight difference (feed rail - trim weight)	0.1 kg	0.1 kg	0.5 kg	0.5 kg	0 kg	0 kg
Max. feeder speed	7 m/min	7 m/min	7 m/min	7 m/min	7 m/min	7 m/min
Reactive force compensation	•	•	•	•	•	•
Protection type	IP54	IP54	IP54	IP54	IP54	IP54

Note: • = existent
Track not included in scope of supply.

Included in delivery

- 2x Bracket KLF
- 2x Leaf spring KLF
- 5x Trim weight (KLF7)
- 6x Trim weight (KLF15)
- 1x Trim weight (KLF25 (400 g))
- 3x Trim weight (KLF25 (800 g))