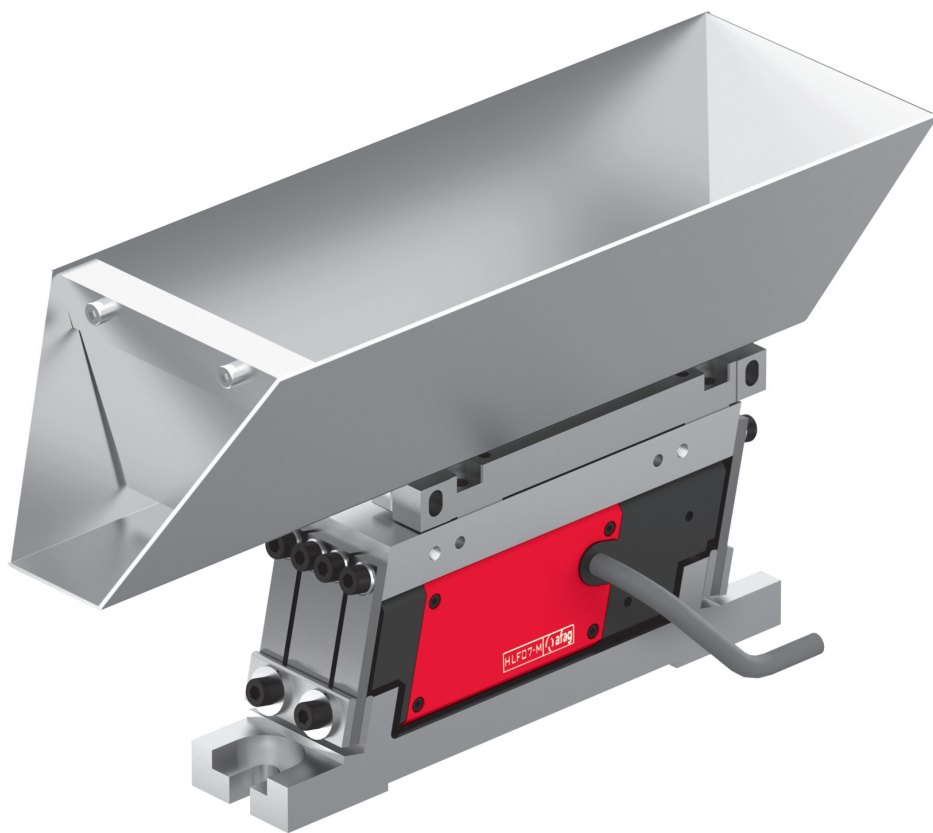


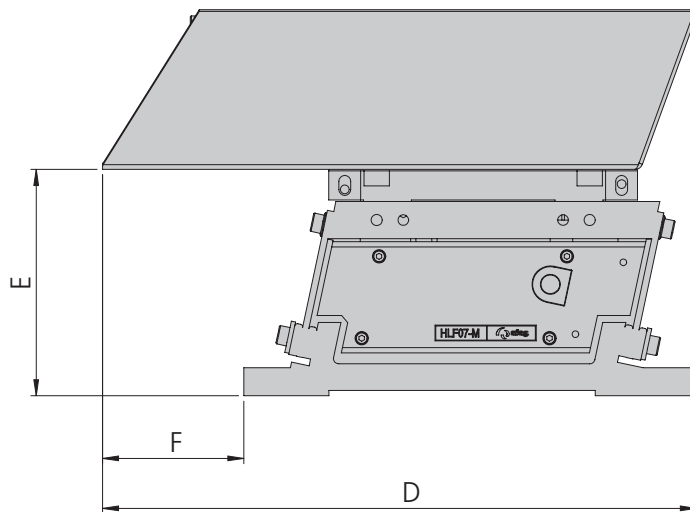
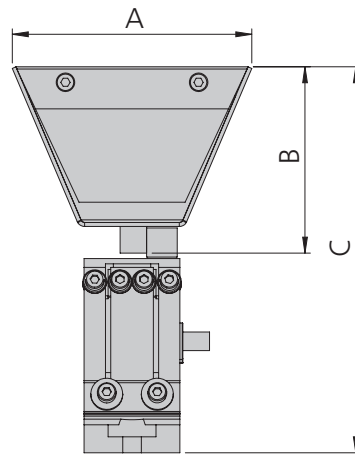
Refillable vibratoy hopper

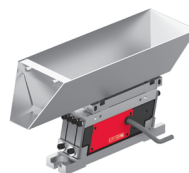
NVB07/0.5 - NVB25/3.0



- Proven HLF-drives serve as base
- Afag linear feeder HLF with reactive force compensation
- Hopper chute with variable slope

Type	NVB07/0.5	NVB12/1.0	NVB25/3.0
A	90 mm	100 mm	151 mm
B	70 mm	86 mm	95 mm
C	145 mm	167 mm	205 mm
D	223 mm	286 mm	384 mm
E	85 mm	95.5 mm	125 mm
F	53 mm	86 mm	124 mm





NVB	
Operating temperature	10 - 45 °C

Type	NVB07/0.5	NVB07/0.5	NVB12/1.0	NVB12/1.0	NVB25/3.0	NVB25/3.0
Order number	50398072	50439559	50398076	50439561	50398089	50439562
Mechanical vibrations	100 Hz	120 Hz	100 Hz	120 Hz	100 Hz	120 Hz
Mains connection (mains voltage/mains frequency)	230 V/50 Hz	115 V/60 Hz	230 V/50 Hz	115 V/60 Hz	230 V/50 Hz	115 V/60 Hz
Max. power consumption	15 VA	15 VA	19 VA	19 VA	100 VA	100 VA
Net weight	2.6 kg	2.6 kg	4.1 kg	4.1 kg	8.5 kg	8.5 kg
Load volume	0.5 l	0.5 l	1 l	1 l	3 l	3 l
Maximum filling weight	1.7 kg	1.7 kg	3.2 kg	3.2 kg	9 kg	9 kg
Arithmetical mean roughness value Ra	< 0.8 µm	< 0.8 µm	< 0.8 µm	< 0.8 µm	< 0.8 µm	< 0.8 µm
Mean roughness depth Rz	4.5 µm	4.5 µm	4.5 µm	4.5 µm	4.5 µm	4.5 µm
Protection type	IP54	IP54	IP54	IP54	IP54	IP54