

Servo controllers and accessories



Table of contents: Servo controllers

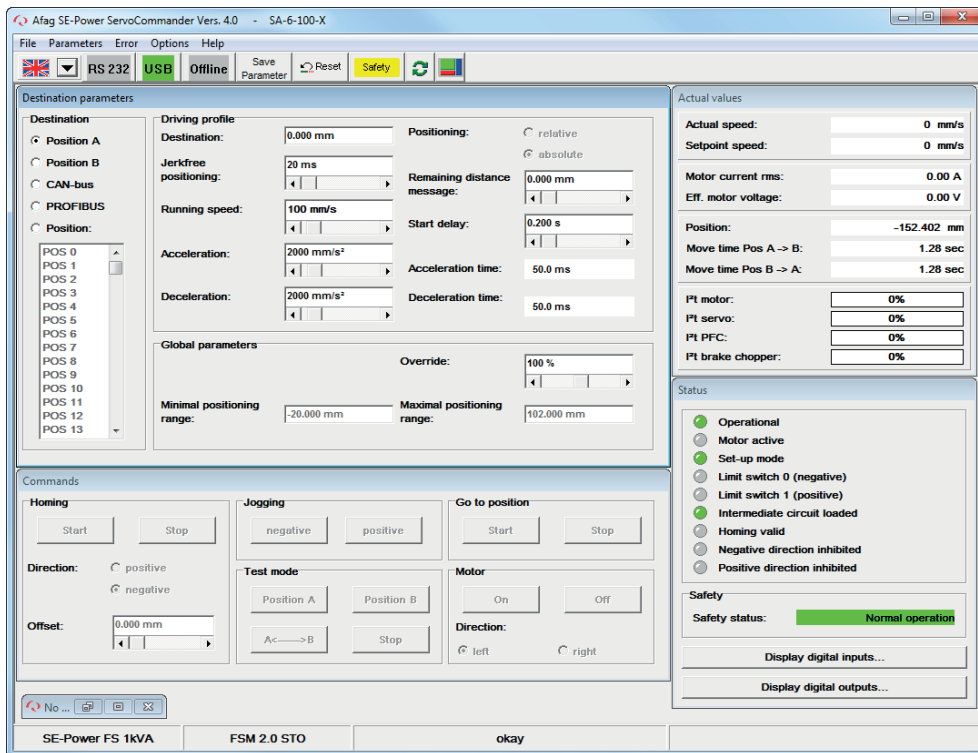
Servo controllers	Page
SE-24	128
SE-Power	130
C11xx	132
C12xx	134
E12xx	136
E14xx	138
Accessories servo controllers	140
Power supply	142
Overview controlsystems	145

Modules	SE-24	SE-Power 1kVA	SE-Power 3kVA	SE-Power 6kVA	C11xx	C12xx	E12xx	E14xx	Third party controllers
Catalogue HT linear									
ES12					Standard	Alternative	Alternative	Alternative	Alternative
ES20					Standard	Alternative	Alternative	Alternative	Alternative
ES30					Standard	Alternative	Alternative	Alternative	Alternative
ES40/-HP					Standard	Alternative	Alternative	Alternative	Alternative
SA-1/-FL		Standard	Alternative	Alternative	Alternative	Alternative	Alternative	Alternative	Alternative
SA-3/-FL		Standard	Alternative	Alternative	Alternative	Alternative	Alternative	Alternative	Alternative
SA-6/-FL		Standard	Alternative	Alternative	Alternative	Alternative	Alternative	Alternative	Alternative
PEZ-52		Standard	Alternative	Alternative	Alternative	Alternative	Alternative	Alternative	Alternative
PEZ-65		Standard	Alternative	Alternative	Alternative	Alternative	Alternative	Alternative	Alternative
PEZ-80		Alternative	Standard	Alternative	Alternative	Alternative	Alternative	Alternative	Alternative
PEZ-100		Alternative	Alternative	Standard	Alternative	Alternative	Alternative	Alternative	Alternative
PDZ-128		Standard	Alternative	Alternative	Alternative	Alternative	Alternative	Alternative	Alternative
PDZ-160		Alternative	Standard	Alternative	Alternative	Alternative	Alternative	Alternative	Alternative
PDZ-200		Alternative	Alternative	Standard	Alternative	Alternative	Alternative	Alternative	Alternative
PEL20/-SL					Standard	Alternative	Alternative	Alternative	Alternative
PDL30					Standard	Alternative	Alternative	Alternative	Alternative
PDL40/-HP					Standard	Alternative	Alternative	Alternative	Alternative
Catalogue HT gripping & turning									
RE-50		Standard	Alternative	Alternative	Alternative	Alternative	Alternative	Alternative	Alternative
RE-50 18-100V	Alternative	Alternative	Alternative	Alternative	Standard	Alternative	Alternative	Alternative	Alternative
RE-75		Standard	Alternative	Alternative	Alternative	Alternative	Alternative	Alternative	Alternative
RE-75 18-100V A		Alternative	Alternative	Alternative	Standard	Alternative	Alternative	Alternative	Alternative
SE30					Standard	Alternative	Alternative	Alternative	Alternative
RA-40					Standard	Alternative	Alternative	Alternative	Alternative
SG-50	Standard	Alternative	Alternative	Alternative	Alternative	Alternative	Alternative	Alternative	Alternative
SG-50-ABq					Standard	Alternative	Alternative	Alternative	Alternative

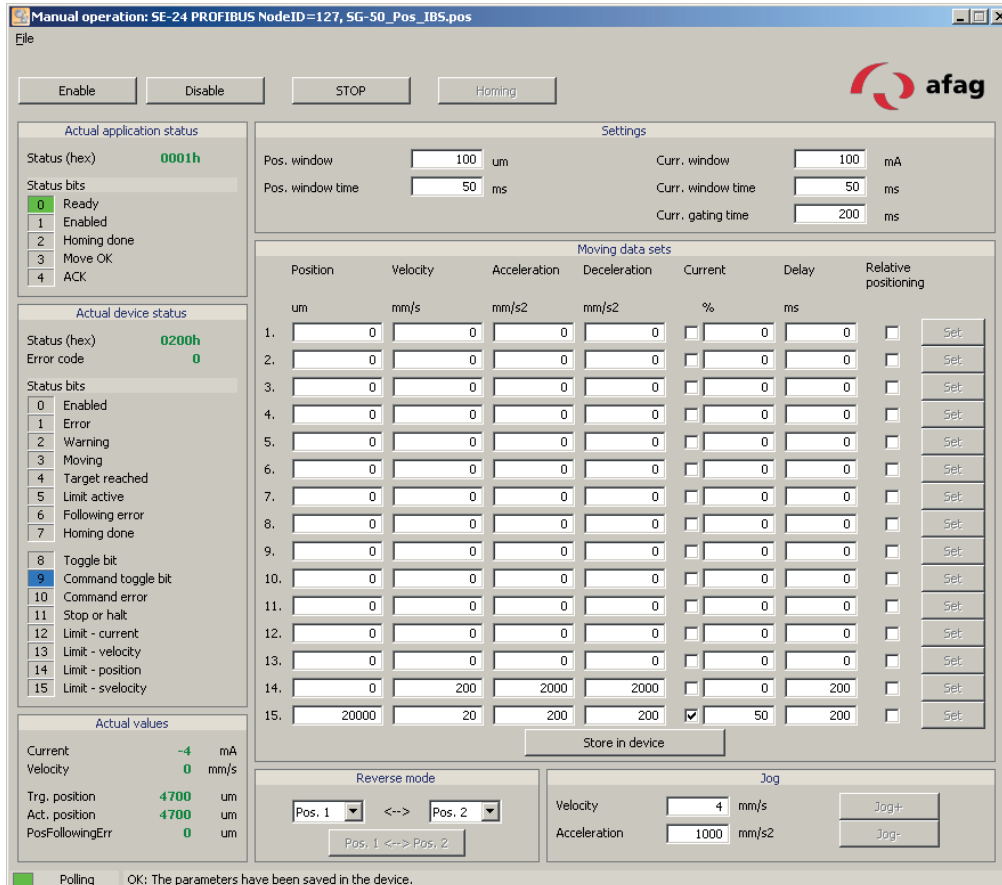
The servo controllers (except the third party controllers) are servo position controllers that are specifically tailored to all Afag modules and axes. They provide you, the user, with extremely short commissioning times and simple, practical handling. The effort required for system integration is reduced to a minimum because all modules and axes are parameterised ex works, and processed to ensure optimal operation.

Note: In order to be connected to third party controllers, all cables are also available with open ends. If you have any questions, please contact your sales partner.

Standard
 Alternative

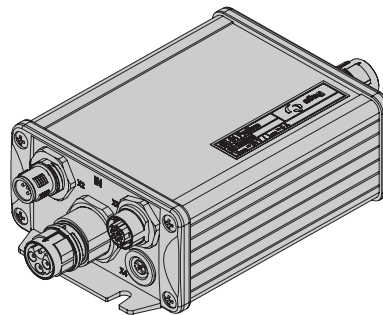
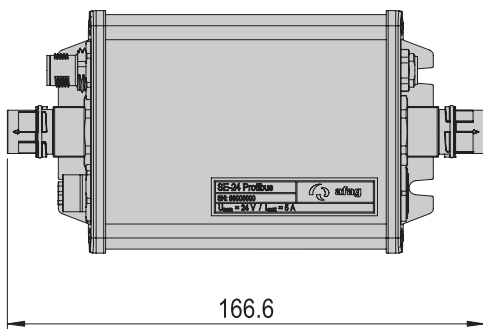
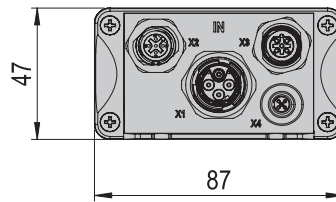
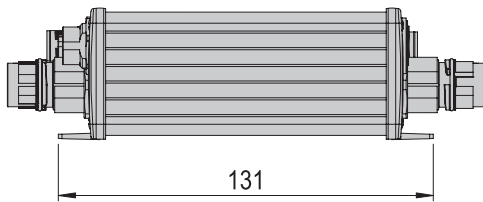
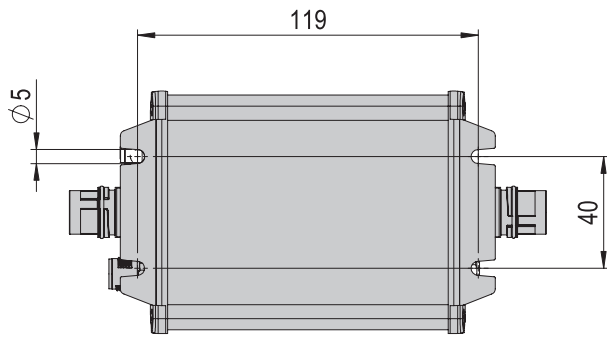


SE-COMMANDER
SE-Power
operating interface



AFAG-TOOLS SE-24
operating interface

Detailed information on the operating software can be found in the handbooks of the corresponding controllers.





SE-24	
Operating temperature	0 - 40 °C
Bearing temperature	-25 - 70 °C
Humidity	< 90 %

Type	SE-24 I/O	SE-24 Profibus	SE-24 EtherCAT	SE-24 CANopen
Order number	50315434	50315435	50315436	50315437
Net weight	0.49 kg	0.58 kg	0.49 kg	0.56 kg
Dimensions W x H x D	87x47x165 mm	87x47x165 mm	87x47x165 mm	87x47x165 mm
Nominal current	5 A	5 A	5 A	5 A
Supply voltage	9-35 VDC	9-35 VDC	9-35 VDC	9-35 VDC
Control voltage	9-30 VDC	9-30 VDC	9-30 VDC	9-30 VDC
Protection type	IP 65	IP 65	IP 65	IP 65
Intermediate circuit voltage	24 VDC	24 VDC	24 VDC	24 VDC
Output power	120 VA	120 VA	120 VA	120 VA
Programming interface	USB	USB	USB	USB
Number of position data records	15	15	15	15

Accessories

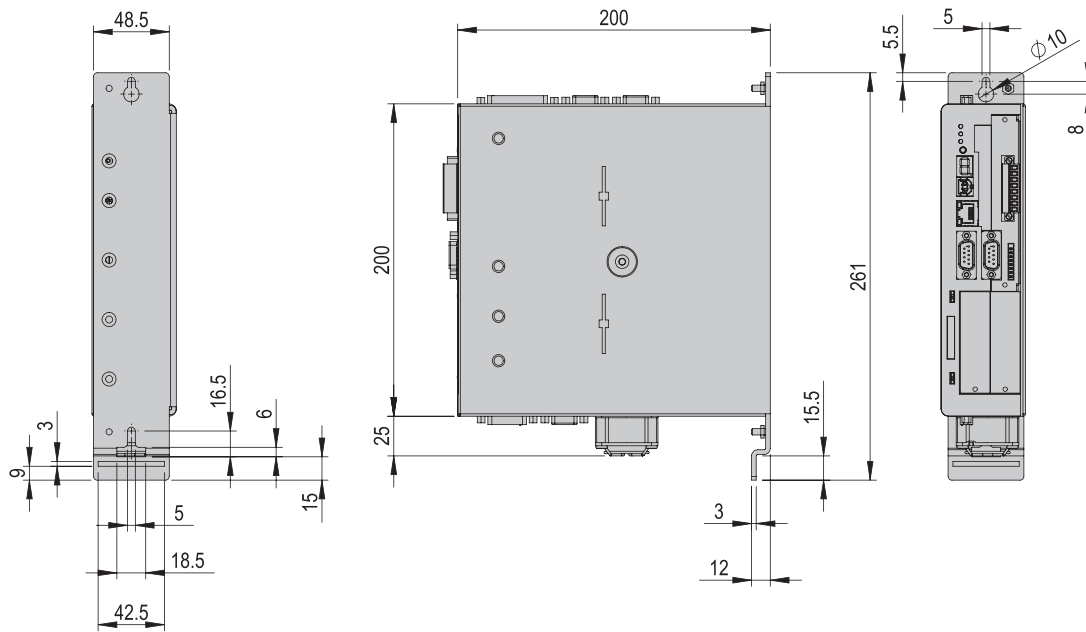
- Programming cable SE-24
- Power cable SE-24
- I/O cable SE-24
- SE-24 Stick

Alternative Accessories

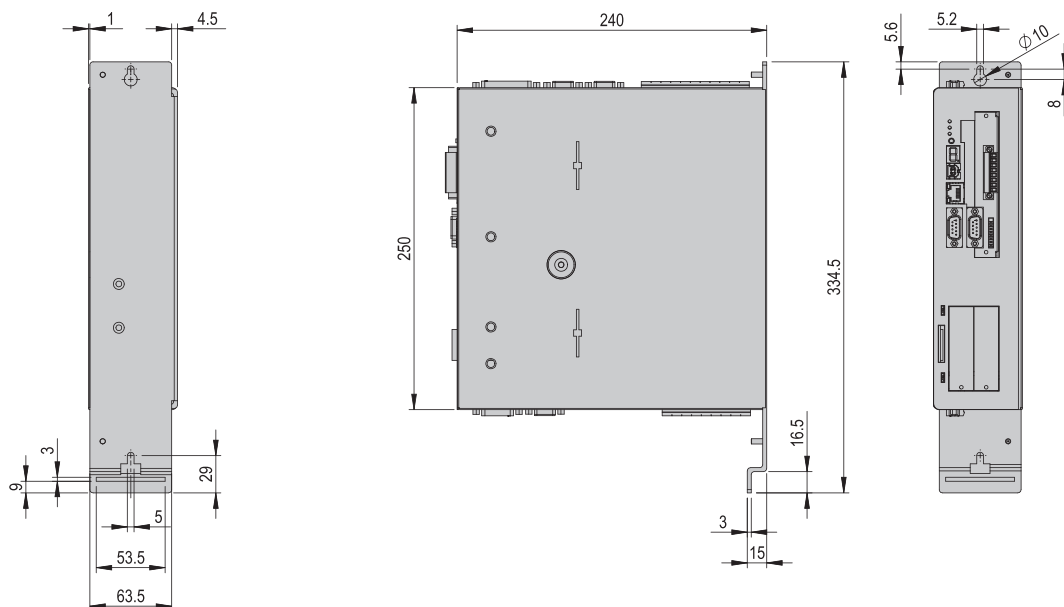
- Additional power and I/O cables

Warranty: 24 months following commissioning, but a maximum of 27 months following delivery

SE-Power 1kVA



SE-Power 3kVA / 6kVA





SE-Power	
Operating temperature	0 - 40 °C
Bearing temperature	-25 - 70 °C
Humidity	< 90 %
Encoder evaluation	Resolver, incr., SinCos, Hiperface, en Dat

Type	SE-Power 1kVA	SE-Power 3kVA	SE-Power 6kVA
Order number	50036337	50162993	50183996
Net weight	2.1 kg	3.7 kg	3.7 kg
Dimensions W x H x D	54x201x200 mm	69x250x240 mm	69x250x240 mm
Nominal output current	5 A	5 A	10 A
Supply voltage	48 - 230 VAC	3 x 400 VAC	3 x 400 VAC
Voltage supply, alternative	60 - 380 VDC		
Control voltage	24 VDC	24 VDC	24 VDC
Protection type	IP 20	IP 20	IP 20
Intermediate circuit voltage	320 VDC	560 VDC	560 VDC
Output power	1 kVA	3 kVA	6 kVA
Programming interface	USB/RS 232	USB/RS 232	USB/RS 232
Standard interfaces for higher-level control	CANopen DSP 402	CANopen DSP 402	CANopen DSP 402
Number of position data records via Onboard I/Os	16	16	16
Number of position data records with option I/O interface	250	250	250
Analog	+/- 10 V	+/- 10 V	+/- 10 V

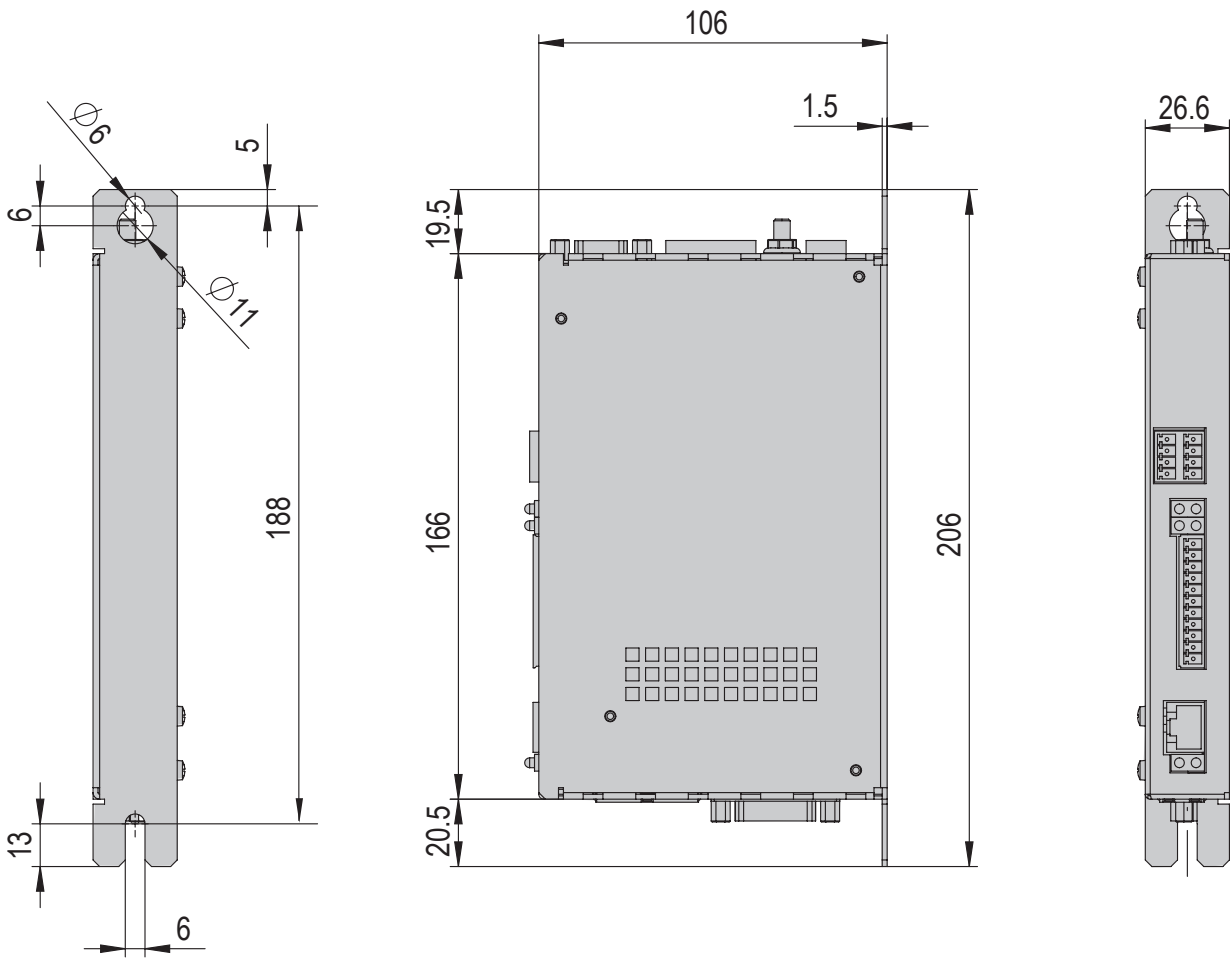
Accessories

- Programming cable USB SE power FS
- Programming cable RS232 SE power
- I/O Interface
- Profibus Interface
- Profinet Interface
- EtherCAT Interface
- FS Safety Module FSM 2.0

Warranty: 24 months following commissioning, but a maximum of 27 months following delivery

Dimensions and dimension drawings

C11xx





C11xx	
Operating temperature	0 - 40 °C
Bearing temperature	-25 - 70 °C
Humidity	< 90 %

Type	C1100 CanOpen STO	C1150 EtherCat STO	C1150 Profinet PN STO
Order number	50419402	50419403	50419404
Net weight	0.7 kg	0.7 kg	0.7 kg
Dimensions W x H x D	26.6x206x106 mm	26.6x206x106 mm	26.6x206x106 mm
Nominal output current	25 A	25 A	25 A
Supply voltage	24 - 72 VDC	24 - 72 VDC	24 - 72VDC
Control voltage	24 VDC	24 VDC	24 VDC
Protection type	IP 20	IP 20	IP 20
Intermediate circuit voltage	24 - 80 VDC	24 - 80 VDC	24 - 80 VDC
Programming interface	RS 232	RS 232	RS 232

Included in the delivery

- 1x Plug kit for C1xxx-1S

Accessories

- Power supply S01-72/500, 1-phase
- Motor plug for controller C1x00
- USB-RS232 Converter for controllers

Alternative Accessories

- Additional power supplies

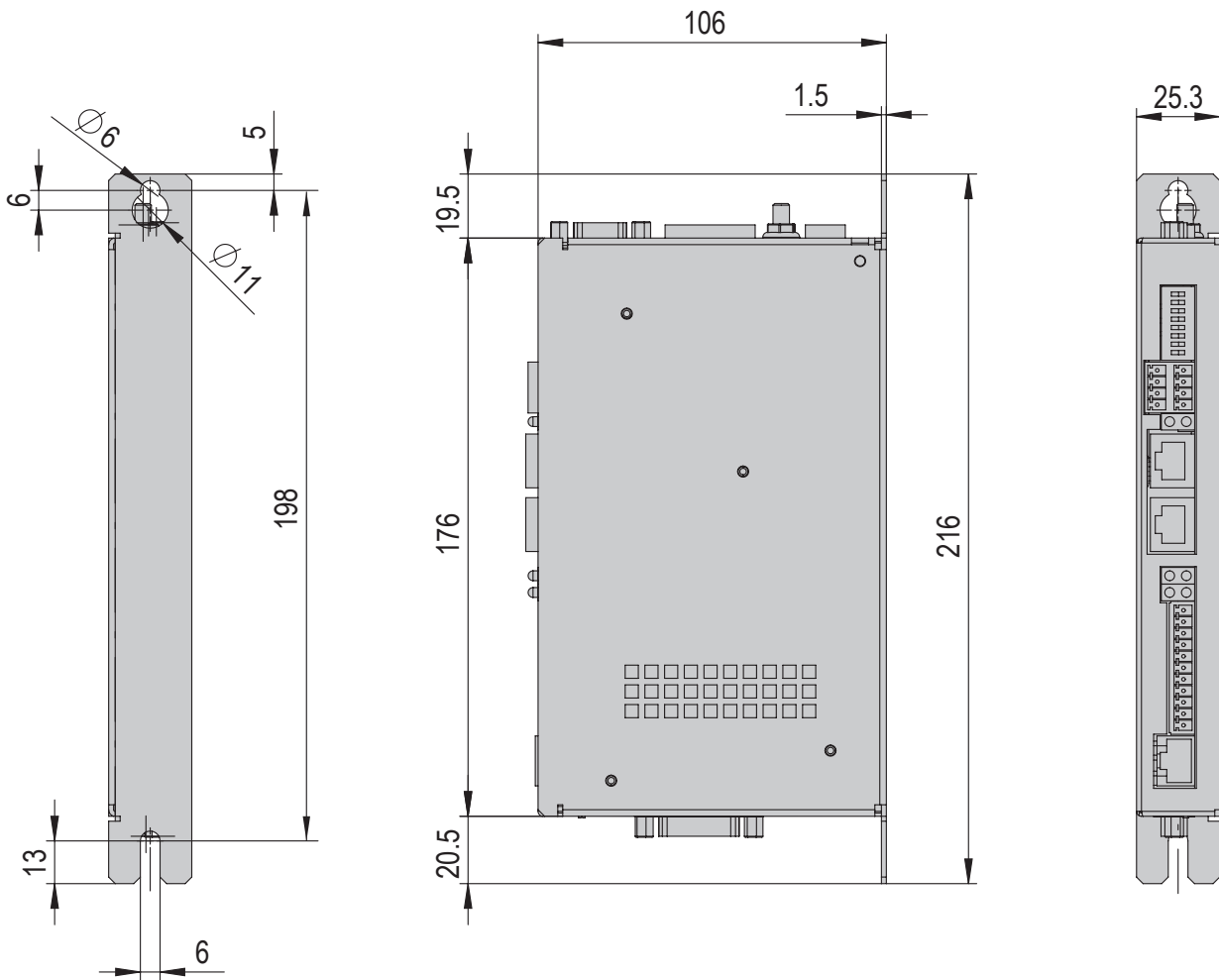
Warranty: 24 months following commissioning, but a maximum of 27 months following delivery

afag.com

Handling technology HT Accessories

Dimensions and dimension drawings

C12xx





C12xx	
Operating temperature	0 - 40 °C
Bearing temperature	-25 - 70 °C
Humidity	< 90 %

Type	C1250 EtherCat STO	C1250 Profinet PN STO	C1250-MI-XC-1S STO
Order number	50419400	50419401	50581581
Net weight	0.7 kg	0.7 kg	0.7 kg
Dimensions W x H x D	25.3x216x106 mm	25.3x216x106 mm	25.3x216x106 mm
Nominal output current	25 A	25 A	25 A
Supply voltage	24 - 72 VDC	24 - 72 VDC	24 - 80 VDC
Control voltage	24 VDC	24 VDC	24 VDC
Protection type	IP 20	IP 20	IP 20
Intermediate circuit voltage	24 - 80 VDC	24 - 80 VDC	24 - 80 VDC
Programming interface	RS 232	RS 232	RS 232

Included in the delivery

- 1x Plug kit for C1xxx-1S

Accessories

- Power supply S01-72/500, 1-phase
- Motor plug for controller C1x00
- USB-RS232 Converter for controllers

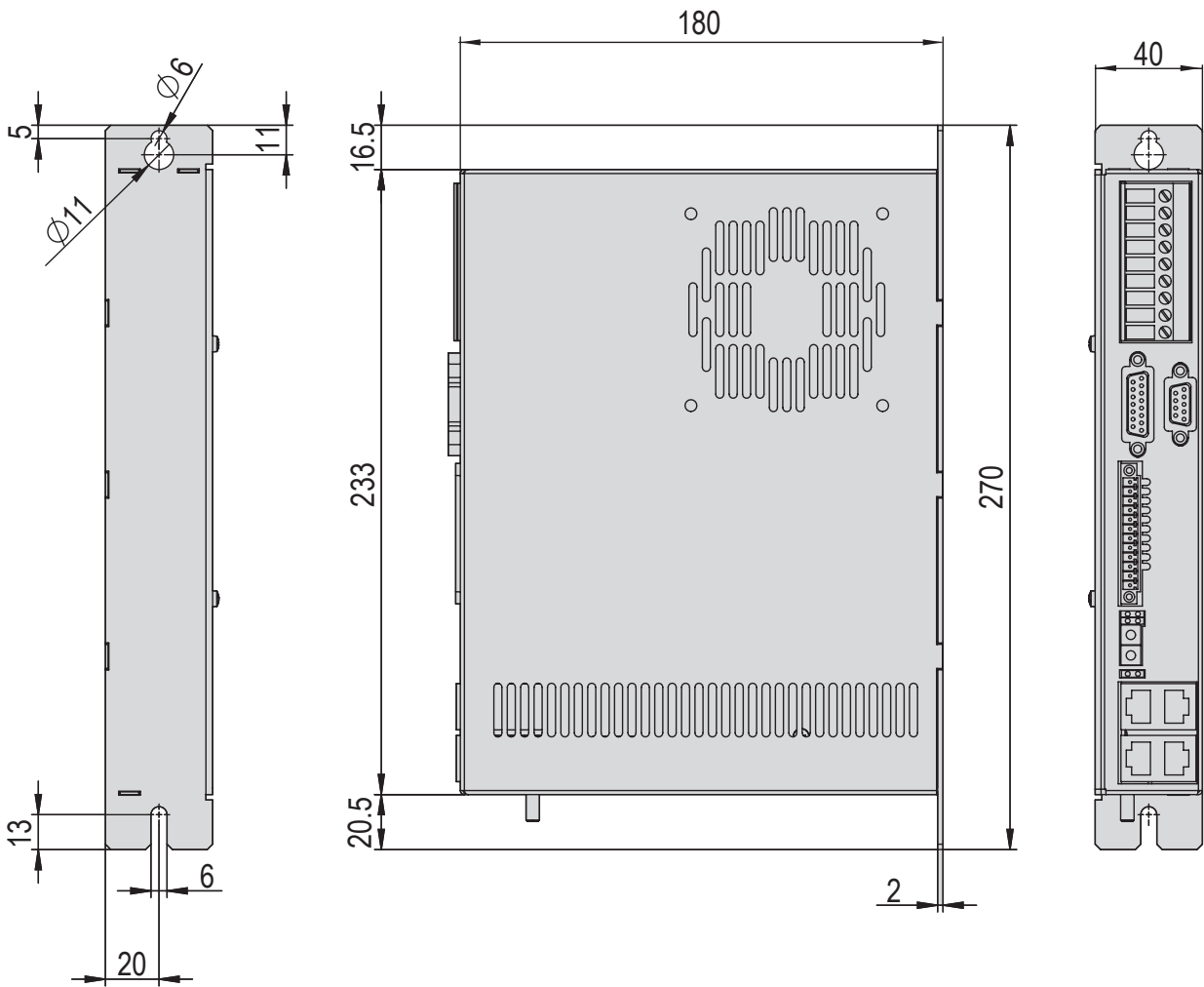
Alternative Accessories

- Additional power supplies

Warranty: 24 months following commissioning, but a maximum of 27 months following delivery

Dimensions and dimension drawings

E12xx





E12xx	
Operating temperature	0 - 40 °C
Bearing temperature	-25 - 40 °C
Humidity	< 90 %

Type	E1250 Powerlink PL-UC	E1250 Ethernet IP-UC	E1250 Ethercat SoE SE-UC	E1250 Sercos III SC-UC
Order number	50465787	50465792	50465793	50465794
Net weight	1 kg	1 kg	1 kg	1 kg
Dimensions W x H x D	40x270x180 mm	40x270x180 mm	40x270x180 mm	40x270x180 mm
Nominal output current	32 A	32 A	32 A	32 A
Supply voltage	24 - 72 VDC	24 - 72 VDC	24 - 72 VDC	24 - 72 VDC
Control voltage	24 VDC	24 VDC	24 VDC	24 VDC
Protection type	IP 20	IP 20	IP 20	IP 20
Intermediate circuit voltage	max. 91 VDC	max. 91 VDC	max. 91 VDC	max. 91 VDC
Programming interface	RS 232 + Ethernet	RS 232 + Ethernet	RS 232 + Ethernet	RS 232 + Ethernet

Accessories

- Power supply S01-72/500, 1-phase
- USB-RS232 Converter for controllers

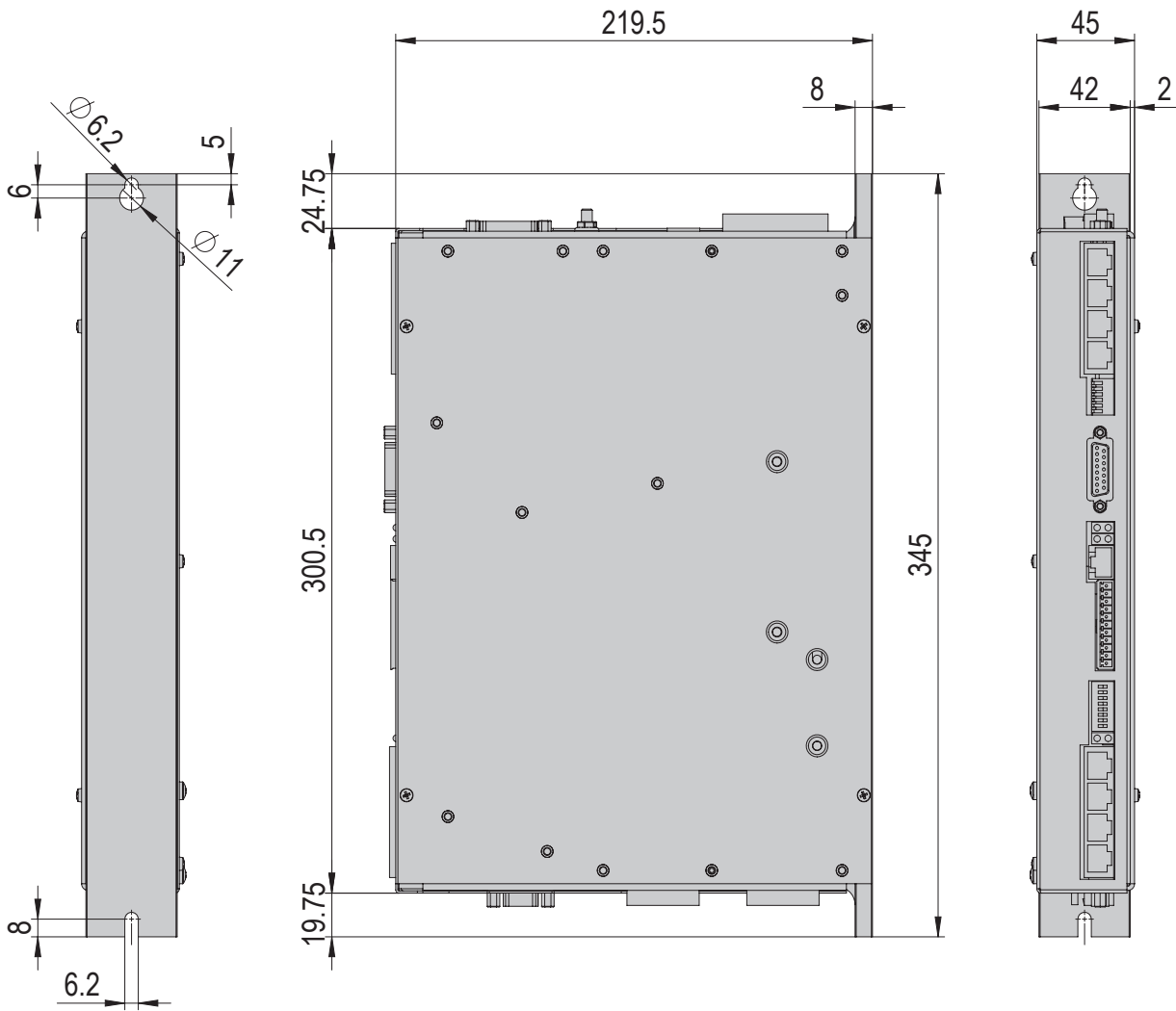
Alternative Accessories

- Additional power supplies

Warranty: 24 months following commissioning, but a maximum of 27 months following delivery

Dimensions and dimension drawings

E14xx





E14xx	
Operating temperature	0 - 40 °C
Bearing temperature	-25 - 70 °C
Humidity	< 90 %

Type	E1450 Ethercat EC STO	E1450 Profinet PN STO	Profidrive PD STO
Order number	50436475	50421487	50483034
Net weight	1.5 kg	1.5 kg	1.5 kg
Dimensions W x H x D	45x345x219,5 mm	45x345x219,5 mm	45x219.5x345 mm
Nominal output current	28 A	28 A	28 A
Supply voltage	400 VAC	400 VAC	400 VAC
Control voltage	24 VDC VDC	24 VDC VDC	24 VDC VDC
Protection type	IP 20	IP 20	IP 20
Intermediate circuit voltage	400 VAC	400 VAC	400 VAC
Programming interface	RS 232	RS 232	RS 232

Accessories

- Motor plug for controller E1400
- Plug kit for controller E1400-1S
- USB-RS232 Converter for controllers

Warranty: 24 months following commissioning, but a maximum of 27 months following delivery

Accessories Servo controllers

Accessories SE-24

SE-24 Stick	
Order number	50315432
Net weight	0.008 kg

Programming cables

Programming cable SE-24	
Order number	50315431
Net weight	0.06 kg
Cable Ø	4 mm
Material	PVC
Length	3 m

Programming cable RS232 SE-Power	
Order number	50038526
Net weight	0.2 kg
Cable Ø	4.8 mm
Material	PVC
Length	3 m

Programming cable USB SE-Power FS	
Order number	50395197
Net weight	0.1 kg
Length	3 m

Transformers

Accessories SE-Power

SE-Power EtherCAT Interface	
Order number	50038777
Net weight	0.15 kg

SE-Power FS Safety Module FSM 2.0 STO	
Order number	50393463
Net weight	0.075 kg

SE-Power Profibus Interface	
Order number	50036340
Net weight	0.1 kg

SE-Power Profinet Interface	
Order number	50445640
Net weight	0.15 kg

SE-Power FS Safety Module MOV	
Order number	50418506
Net weight	0.12 kg

Accessories C1xxx

Motor plug for controller C1xxx	
Order number	50426481
Net weight	0.01 kg

Plug kit for controller C1xxx-1S	
Order number	50426471
Net weight	0.02 kg

USB-RS232 Converter for controllers	
Order number	50426494
Net weight	0.07 kg

Plug X3 for controller C1xxx	
Order number	50530603
Net weight	0.02 kg

Accessories E14xx

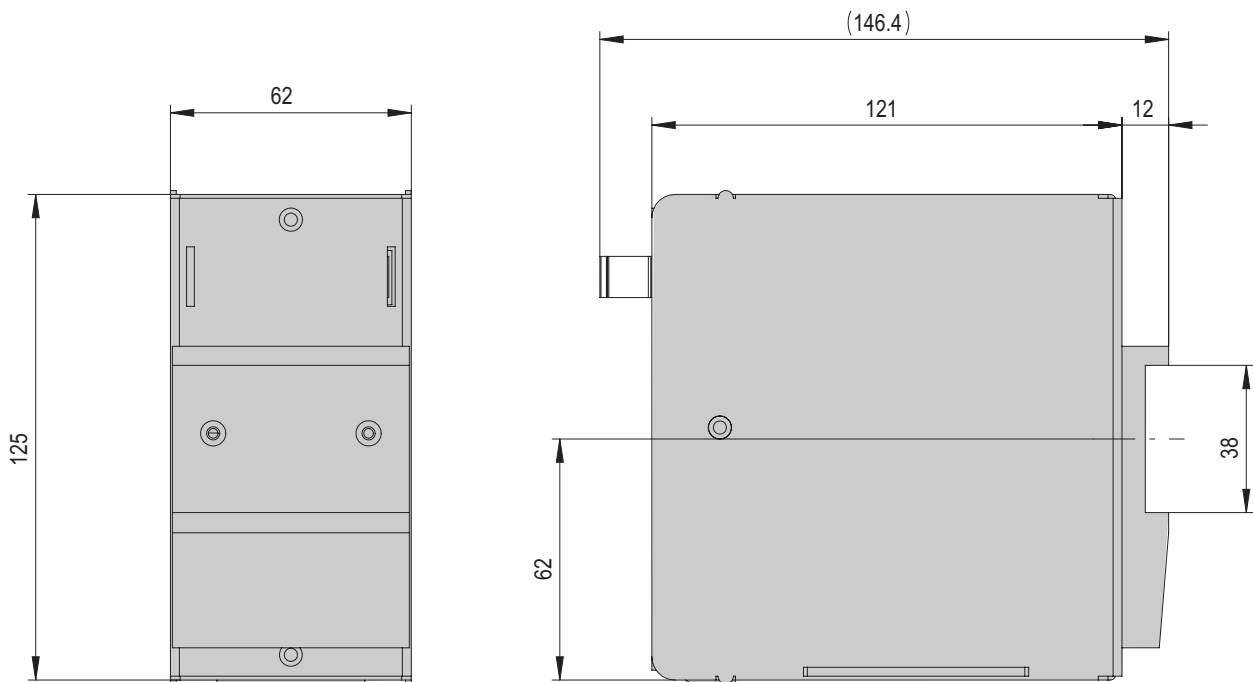
Motor plug for controller E1400	
Order number	50426480
Net weight	0.03 kg

Plug kit for controller E1400-1S	
Order number	50426476
Net weight	0.05 kg

Transformers

Power supply S01-72/500, 1 phase	
Operating temperature	-25 - 70 °C

Type	Power supply S01-72/500, 1-phase
Order number	50439465
Net weight	1 kg
Protection rating	IP 20
Output power	480 W
Primar voltage	90 - 132 VAC, 50/60 Hz oder 180 - 264 VAC, 50/60 Hz
Secondary voltage	54 - 80 VDC adjustable
Nominal output current	10 A
External fuse	6 A (C, D, K Typ)



Transformers

Power supply S01-72/1000, 3 phase

Operating temperature

-25 - 70 °C

Type

Power supply S01-72/1000, 3-phase

Order number

50439466

Net weight

2 kg

Protection rating

IP 20

Output power

960 W

Primar voltage

3x 340 - 550 VAC, 50/60 Hz

Secondary voltage

54 - 80 VDC adjustable

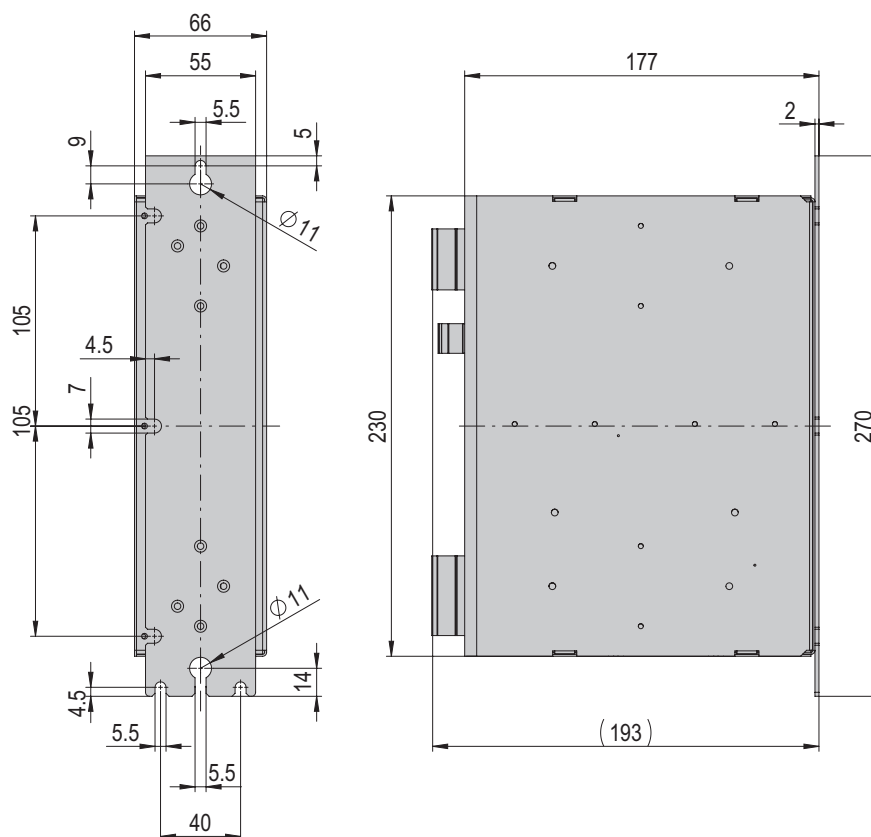
Nominal output current

27 A

External fuse

16-32 A (C, D, K Typ)

9



Transformers

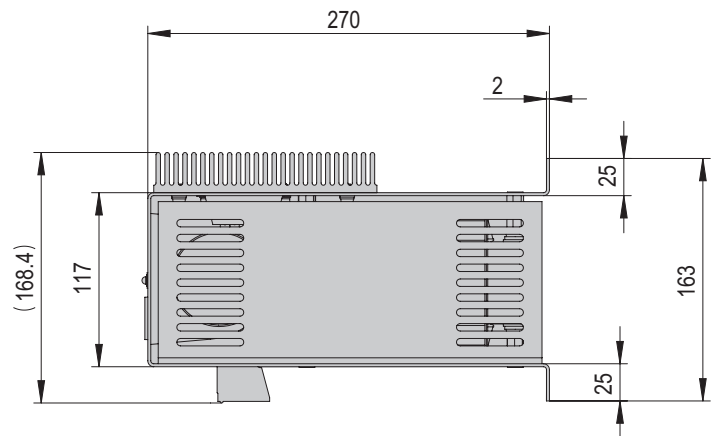
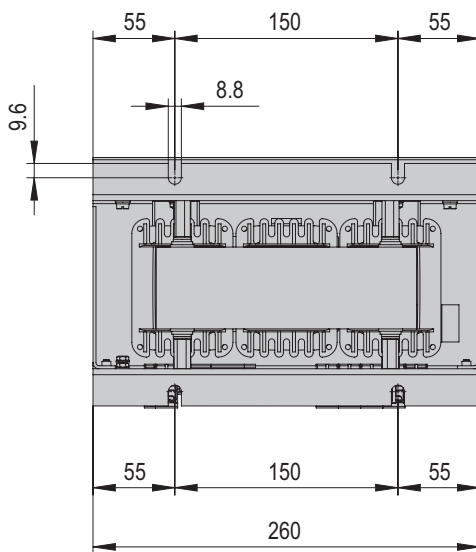
Power supply T01-72/1500 multi, 3-phases

Operating temperature 0 - 40 °C

Type Power supply T01-72/1500 Multi, 3-phase

Order number 50438369

Net weight	17 kg
Output power	IP 20
Protection rating	1500 W
Primary voltage	3x 230/400/480 VAC, 50/60 Hz
Secondary voltage	72 VDC
Nominal output current	50 A
External fuse	8 A (C, D, K Typ)



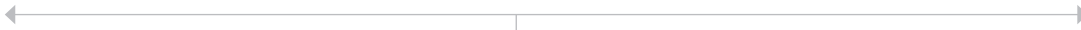


- Power cable SE-24, 5 m
- Power cable SE-24, 10 m
- I/O-cable SE-24, 5 m
- I/O-cable SE-24, 10 m
- Programming cable SE-24, 3 m
- SE-24 Stick



	M	G	R
RE-50 18-100V	M15	G12	R2
SG-50	M14		

SE-24



- Programming cable SE-Power, 3 m




	M	G	R
SA-1	M10	G6	R8
SA-3	M10	G6	R1
SA-6	M5	G5	R1
RE-50/RE-75	M12	G10	R1
PEZ/PDZ	M5	G5	R1

SE-Power

←

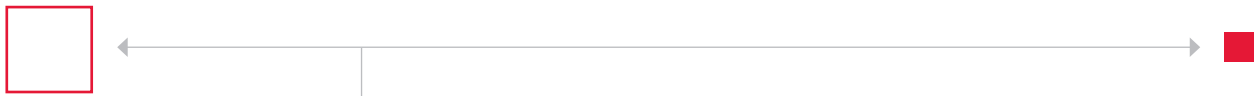
→

USB-RS232
converter
for Linmot
controller



	M			G	R	Motor connector	Plug X3	Adapter
	...-X	...-1	...-2	...-1	...-1			
ES12	M16	M16	M16					50455642
ES20	M16	M16	M16					
ES30	M23	M17						
ES40	M23	M17						
SA-1		M10		G14	R8	50426481	50530603	
SA-3		M10		G14	R1	50426481	50530603	
SA-6		M18		G16	R1	50426481	50530603	
PEZ-52		M18		G16	R1	50426481	50530603	
PEZ-65		M18		G16	R1	50426481	50530603	
PDZ-128		M18		G16	R1	50426481	50530603	
PEL20	M16	M16	M16					
PDL30	M23	M17						
PDL40	M23	M17						
RE-50 18-100V		M12		G14	R1	50426481		
RE-75 18-100V A		M27		G14	R1	50426481		
RA-40	M16	M16	M16					
SE30	M23	M17						
SG-50-Abq		M19				50426481		

C11xx & C12xx



USB-RS232
converter for
Linmot controller



E12xx

	M			G	R	Adapter
	...-X	...-1	...-2	...-1	...-1	
ES12	M20	M20				50455642
ES20	M20	M20				
ES30	M24	M22	M22			
ES40	M24	M22	M22			
SA-1		M10		G14	R8	
SA-3		M10		G14	R1	
SA-6		M18		G16	R1	
PEZ-52		M18		G16	R1	
PEZ-65		M18		G16	R1	
PDZ-128		M18		G16	R1	
PEL20	M20	M20				
PDL30	M24	M22	M22			
PDL40	M24	M22	M22			
RE-50 18-100V		M12		G14	R1	
RE-75 18-100V A		M27		G14	R1	
RA-40	M20	M20				
SE30	M24	M22	M22			



USB-RS232
converter for
Linmot controller



E14xx

	M			G	R	Motor connector	Brake connector
	...-X	...-1	...-2	...-1	...-1		
PEZ/PDZ		M18		G16	R1	50426480	50474519*

* Only required for motor with brake